

REV.	A	DESCRIPTION	NEW RELEASE	LJC 08/17/07	DRAWN	CHECKED	APPROVED

NOTES:

1. MATERIALS:  
 . Housing: PBT+30% Glass Fiber(UL 94 V-0).  
 . Hood: ABS.  
 . Washer: ABS.  
 . Shell: Steel.  
 . Contact: Copper alloy.  
 . Screw: Steel.

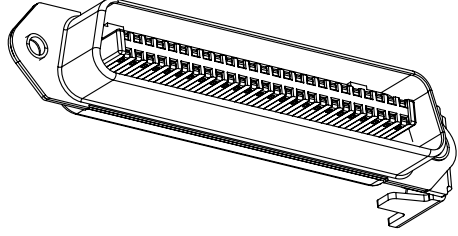
2. SPECIFICATION:

- . Current Rating: 3A  
 . Dielectric withstanding voltage: 500V For 1 minute  
 . Insulator Resistance: 1000MΩ min  
 . Temperature Range: -20°C ~ +105°C

3. PRODUCT NUMBER CODE:

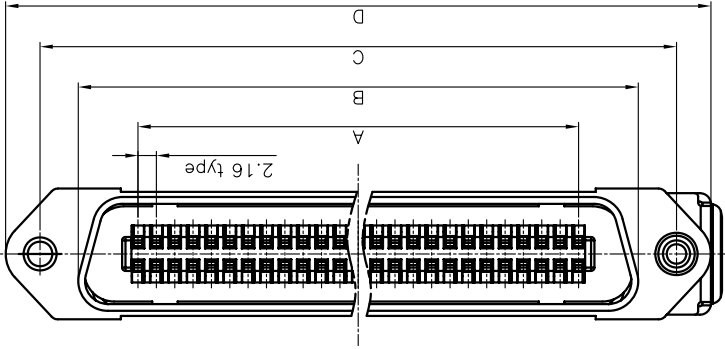
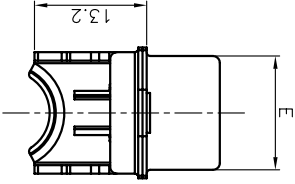
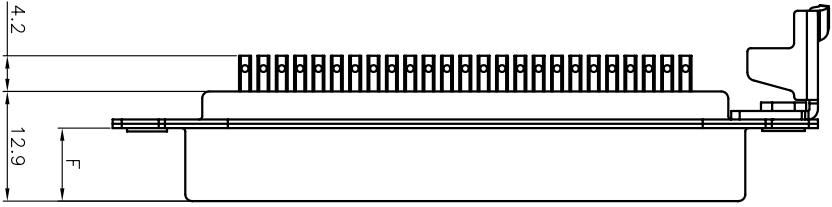
DS1078-01 - X X X X X

- Hood support  
 X: W/O Hood,SR & SCREWS  
 S: W/ Hood,SR & SCREWS  
 Color of housing  
 L:Blue  
 B:Black  
 CONTACT PLATED  
 0: Selective gold flash  
 Connector type  
 M: Male  
 F: Female  
 No. of contacts  
 36: 36pin  
 50: 50pin

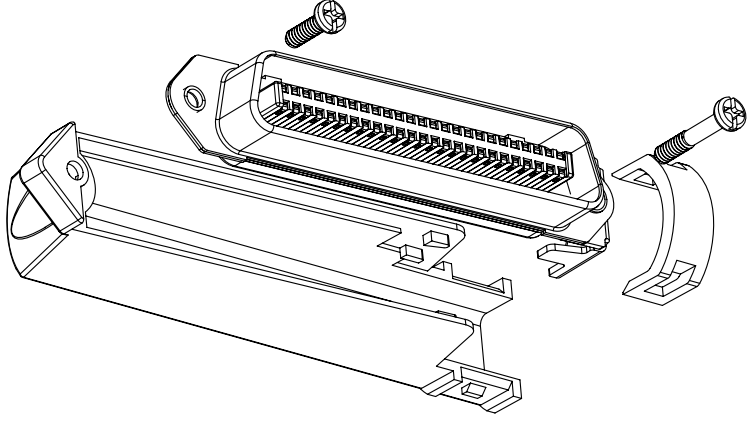


--	--	--	--	--	--	--	--	--	--

Positions	A	B	C	D	E	F
Male	51.84	65.9	74.9	82.8	13.3	11.7
Female	36.72	50.3	59.7	67.7	13.3	11.7
Male	51.84	65.9	74.9	82.8	13.3	11.7
Female	36.72	50.3	59.7	67.7	13.3	11.7
	50pin	36pin				



Positions	A	B	C	D	E	F
Male	51.84	65.9	74.9	82.8	13.3	11.7
Female	36.72	50.3	59.7	67.7	13.3	11.7
Male	51.84	65.9	74.9	82.8	13.3	11.7
Female	36.72	50.3	59.7	67.7	13.3	11.7
	50pin	36pin				



REV.	A	DESCRIPTION	NEW RELEASE	LJC 08/17/07	DRAWN	CHECKED	APPROVED

GENERAL TOLERANCE

X. ±0.60  
 .X. ±0.38  
 .XX ±0.25

ANGLE TOLERANCE  
 X. ±5°  
 .X. ±3°  
 .XX ±2°

DRAWING TYPE CUSTOMER

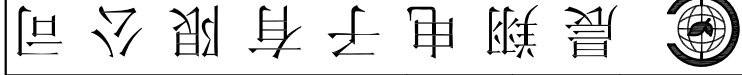
SCALE 1:1 SHEET 1 OF 2

DRAWING NO. C-DS1078-01-XXXXXX

PROJECTION

UNITS mm  
 SHEET SIZE A4  
 SERIES DS1078-01

TITLE CENTRONIC CONNECTORS SOLDER WITH HOOD & SCREWS TYPE



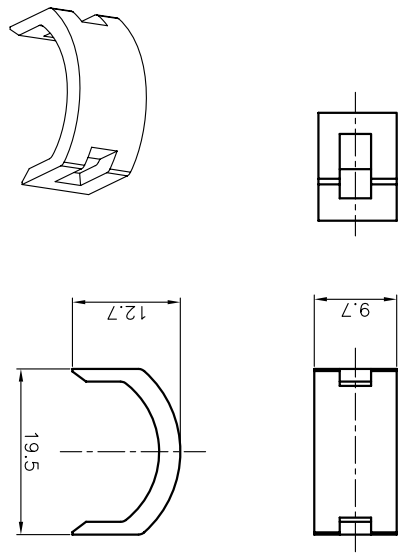
CONFLY ELECTRONIC CO., LTD



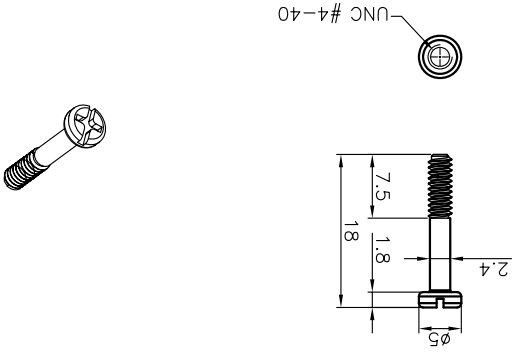
GENERAL TOLERANCE	X. ±0.60	PROJECTION	mm
ANGLE TOLERANCE	X. ±5°	TITLE	HOOD SR & SCREWS OF DS1078-01
DRAWING TYPE	CUSTOMER	SHEET SIZE	A4
SCALE	1:1	SERIES	DS1078-01
DRAWING NO.	C-DS1078-01-XXXXX		

GENERAL TOLERANCE	X. ±0.60
ANGLE TOLERANCE	X. ±5°
DRAWING TYPE	CUSTOMER
SCALE	1:1
DRAWING NO.	C-DS1078-01-XXXXX

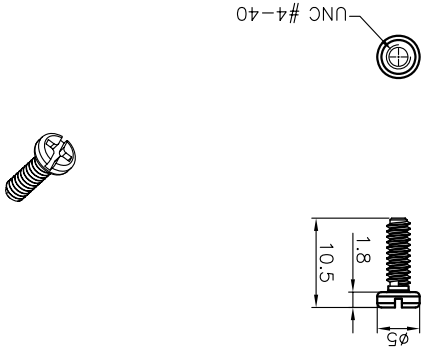
SR



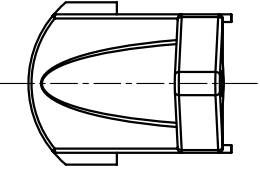
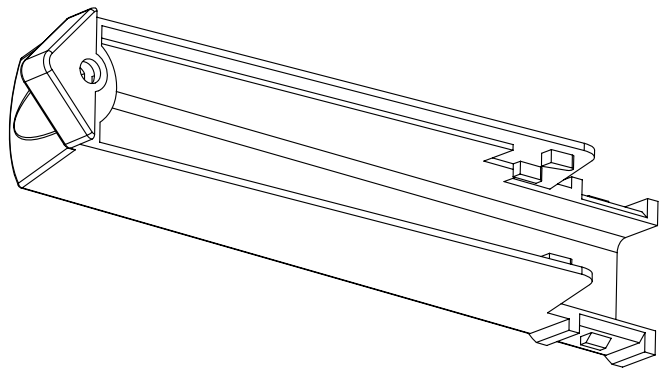
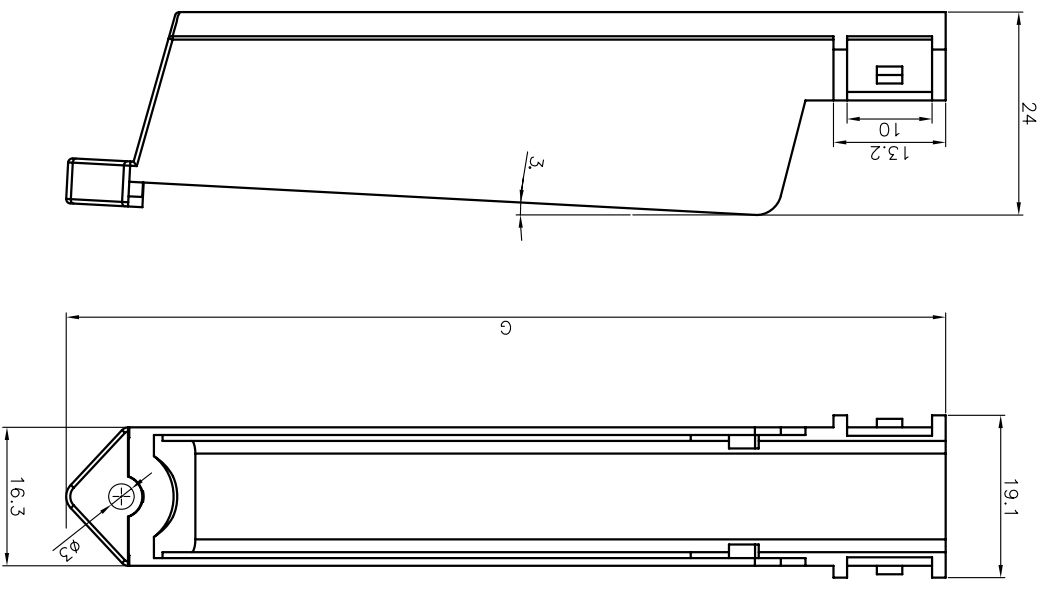
Long screw



Short screw



Hood



Positions	G
36pin	89.7
50pin	103.5

## X-ON Electronics

Largest Supplier of Electrical and Electronic Components

*Click to view similar products for [Standard Card Edge Connectors](#) category:*

*Click to view products by [Connfly](#) manufacturer:*

Other Similar products are found below :

[6565204-6](#) [PKC-156](#) [1437274-4](#) [147889-1](#) [1489165-4](#) [EBT156-12B1X](#) [EBT15622B2X](#) [EBT156-22R2W](#) [1-582587-1](#) [1-582589-1](#) [2-6437275-9](#) [284-0102-12100](#) [306022901000000](#) [307-012-502-202](#) [307-024-526-201](#) [307-056-520-300](#) [307-080-526-208](#) [1926088-2](#) [245-062-520-350](#) [287-0032-12101](#) [306-010-500-112](#) [306-028-525-102](#) [306-240-318](#) [307-036-502-202](#) [307-036-521-301](#) [307-072-526-202](#) [345-060-559-303](#) [368-004-520-201](#) [392-008-559-201](#) [534671-1](#) [5-530501-5](#) [341-240-317](#) [345-029-520-300](#) [345-030-500-301](#) [345-044-500-300](#) [345-220-058](#) [346-240-318](#) [357-030-526-201](#) [387-012-523-300](#) [395-044-520-300](#) [395-100-524-300](#) [50-12B-10](#) [50-6SN-5](#) [09-07-2032](#) [10035388-106LF](#) [10035388-802LF](#) [10115859-011LF](#) [10122859-009LF](#) [101269333204245CLF](#) [10127905-B04B24BLF](#)