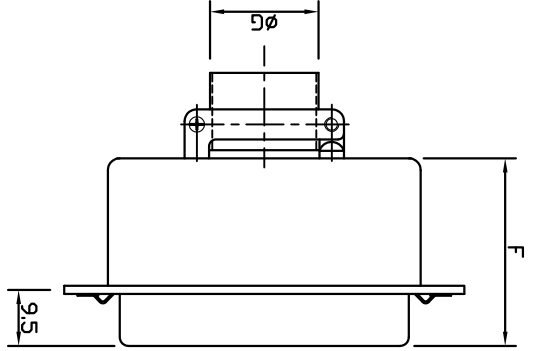
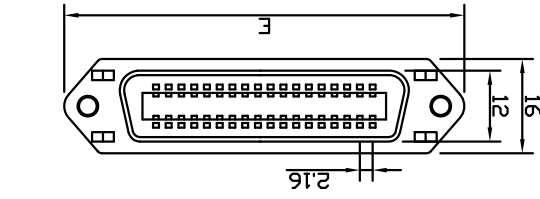


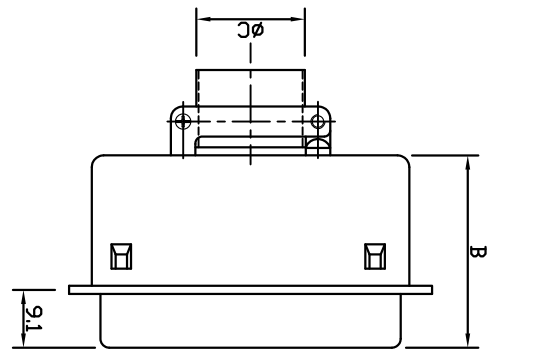
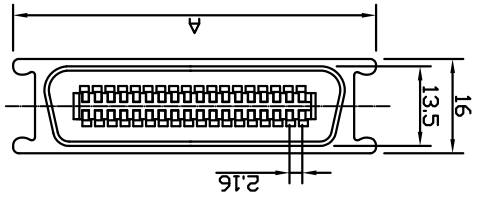
REV.	DESCRIPTION	DRAWN	CHECKED	APPROVED
A	NEW RELEASE	HP 17/06/05	~	LJC 17/06/05
B	DIM. CHANGE	YCH 06/27/07	~	LJC 06/27/07
C	ADD P/N CODE	JLZ 11/05/14	~	

NOTES:

- 1. MATERIALS**
  - Insulator: Thermoplastic(UL 94V 0)
  - Contact: Copper alloy
  - Shell: Steel
  - Hood: Steel
  - Washer: Steel
- 2. SPECIFICATION**
  - Current Rating: 3A
  - Dielectric withstanding voltage: 500V For 1 minute
  - Insulator Resistance: 1000MΩ min
  - Temperature Range: -40°C ~ +105°C
- 3. PRODUCT NUMBER CODE:**  
 DS1078 - X X X X X X X X  
 Color of housing  
 L: Blue  
 B: Black  
 CONTACT PLATED  
 0: Selective gold flash  
 Connector type  
 M: Male  
 F: Female  
 No. of contacts  
 50: 50pin  
 36: 36pin  
 24: 24pin



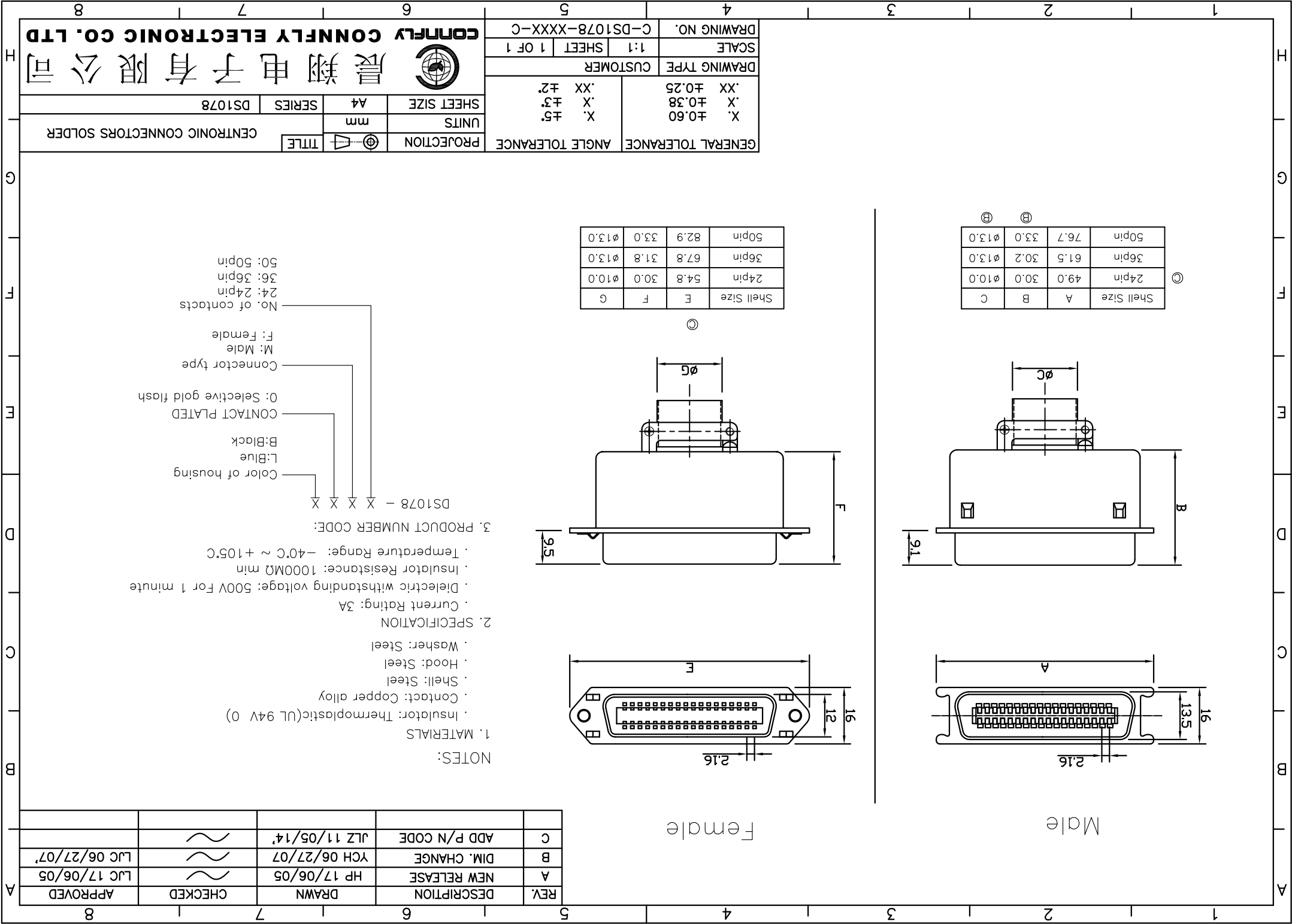
Shell Size	E	F	G
24pin	54.8	30.0	Ø10.0
36pin	67.8	31.8	Ø13.0
50pin	82.9	33.0	Ø13.0



Shell Size	A	B	C
24pin	49.0	30.0	Ø10.0
36pin	61.5	30.2	Ø13.0
50pin	76.7	33.0	Ø13.0

<b>GENERAL TOLERANCE</b> X. ±0.60 .X ±0.38 .XX ±0.25		<b>ANGLE TOLERANCE</b> X. ±5° .X ±3° .XX ±2°	
<b>DRAWING TYPE</b> CUSTOMER		<b>DRAWING NO.</b> C-DS1078-XXXX-C	
<b>SCALE</b> 1:1		<b>SHEET</b> 1 OF 1	
<b>CONNELY CONNELY ELECTRONIC CO., LTD</b>			

<b>PROJECTION</b> 	<b>TITLE</b> CENTRONIC CONNECTORS SOLDER	<b>UNITS</b> mm	<b>SHEET SIZE</b> A4	<b>SERIES</b> DS1078
-----------------------	---	--------------------	-------------------------	-------------------------



## X-ON Electronics

Largest Supplier of Electrical and Electronic Components

*Click to view similar products for [Standard Card Edge Connectors](#) category:*

*Click to view products by [Connfly](#) manufacturer:*

Other Similar products are found below :

[6565204-6](#) [PKC-156](#) [1437274-4](#) [147889-1](#) [1489165-4](#) [EBT156-12B1X](#) [EBT15622B2X](#) [EBT156-22R2W](#) [1-582587-1](#) [1-582589-1](#) [2-6437275-9](#) [284-0102-12100](#) [306022901000000](#) [307-012-502-202](#) [307-024-526-201](#) [307-056-520-300](#) [307-080-526-208](#) [1926088-2](#) [245-062-520-350](#) [287-0032-12101](#) [306-010-500-112](#) [306-028-525-102](#) [306-240-318](#) [307-036-502-202](#) [307-036-521-301](#) [307-072-526-202](#) [345-060-559-303](#) [368-004-520-201](#) [392-008-559-201](#) [534671-1](#) [5-530501-5](#) [341-240-317](#) [345-029-520-300](#) [345-030-500-301](#) [345-044-500-300](#) [345-220-058](#) [346-240-318](#) [357-030-526-201](#) [387-012-523-300](#) [395-044-520-300](#) [395-100-524-300](#) [50-12B-10](#) [50-6SN-5](#) [09-07-2032](#) [10035388-106LF](#) [10035388-802LF](#) [10115859-011LF](#) [10122859-009LF](#) [101269333204245CLF](#) [10127905-B04B24BLF](#)