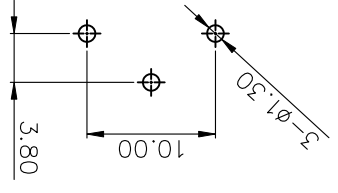
 晨翔电子有限公司 CONNLY CONNLY ELECTRONIC CO., LTD		DRAWING NO. C-DS1092-01-XXX-B SCALE 1:1 SHEET 10F1	
2032 Lithium Coin Cell Battery Holders Upright Insert type		DRAWING TYPE CUSTOMER	
UNITS	SHEET SIZE	GENERAL TOLERANCE	
mm	A4	X ±0.60	X ±0.38
PROJECTION	SERIES	X ±0.25	.XX ±0.25
TITLE	DS1092-01 Series	X ±0.15	.X ±0.15
		X ±0.10	.X ±0.10
		X ±0.05	.X ±0.05

GENERAL TOLERANCE ANGLE TOLERANCE		DRAWING NO. C-DS1092-01-XXX-B SCALE 1:1 SHEET 10F1	
X ±0.60 .X ±0.38 .XX ±0.25		DRAWING TYPE CUSTOMER	
X ±0.15 .X ±0.15 .X ±0.10 .X ±0.05		X ±0.25 .XX ±0.25	

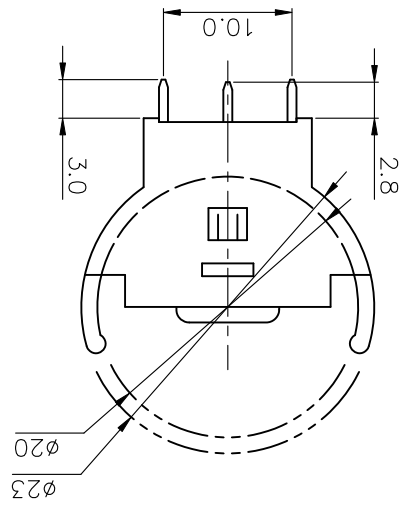
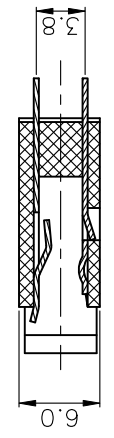
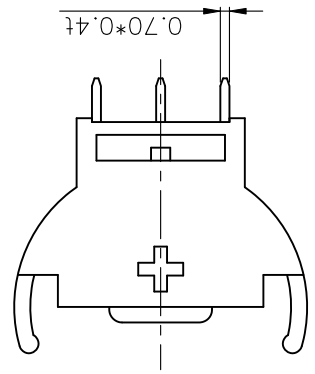
Recommend PCB Layout
Tolerance=±0.05



NOTE:

- 1.1 Base: Thermoplastic, UL94 V-0, Color of black.
- 1.2 Positive & Negative Contacts: Copper Alloy.
2. Specification:
 - 2.1 Dielectric Withstanding Voltage: AC 500V AC.
 - 2.2 Insulation Resistance: 1000MΩ min.
 - 2.3 Contact Resistance: 100mΩ Max.
3. Part Number Code: DS1092-01 - X X X X

Housing material: P: PBT
 Contact plating: 6: Tin
 Housing color: B: Black



REV.	DESCRIPTION	DRAWN	CHECKED	APPROVED
A	NEW RELEASE	YCH 08/07/12		LJC 08/07/12
B	DRAWING UPDATE	JLZ 01/20/16	HZW 01/20/16	LJC 01/20/16

X-ON Electronics

Largest Supplier of Electrical and Electronic Components

Click to view similar products for [Coin Cell Battery Holders](#) category:

Click to view products by [Connfly](#) manufacturer:

Other Similar products are found below :

[3035](#) [1026](#) [1059](#) [1060](#) [1063](#) [1065](#) [1068](#) [1093](#) [D2](#) [D3](#) [46400000](#) [BC-0403](#) [BH-121-1B](#) [BH-1/2AA-2A](#) [BH-131A](#) [BH-3101A](#) [BH-3103B](#)
[BH-311-1A](#) [BH-311-1D](#) [BH-321-1B](#) [BH-321-1D](#) [BH-331-3D](#) [BH-331P](#) [BH-333A](#) [BH-341-1P](#) [BH-342-1A](#) [BH-351A](#) [BH-383A](#) [BH-421A](#)
[BH-422A](#) [BH-425A](#) [BH-431-1B](#) [BH-463A](#) [BH-511A](#) [BHC-18650-1P](#) [46300000](#) [46600000](#) [1058TR](#) [SBH-321-1AS](#) [SBH-331A](#) [SBH-341-1A](#) [SBH-341-AS](#) [SBH-421-1A](#) [SBH-431-1AS](#) [SBH-441A](#) [SBH-9VA](#) [BH-121-1A](#) [BHC-18650-1A](#) [SBH-421-1AS](#) [SBH-441AS](#)