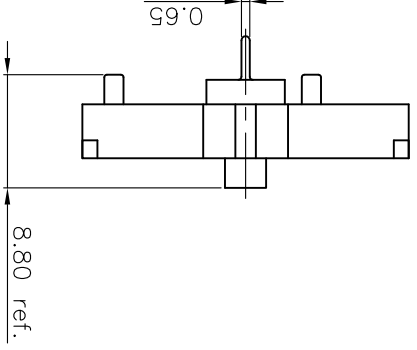
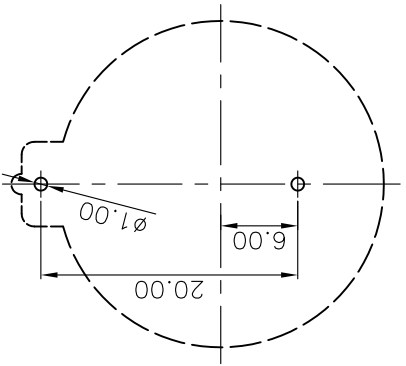


|                   |  |                   |  |
|-------------------|--|-------------------|--|
| GENERAL TOLERANCE |  | X. ±0.60          |  |
| X. ±0.38          |  | .XX ±0.25         |  |
| X. ±5.            |  | .XX ±2.           |  |
| X. ±3.            |  | .XX ±2.           |  |
| ANGLE TOLERANCE   |  | 10F1              |  |
| DRAWING TYPE      |  | CUSTOMER          |  |
| SCALE             |  | 1:1               |  |
| DRAWING NO.       |  | C-DS1092-03-XXX-A |  |

|                                     |  |  |  |
|-------------------------------------|--|--|--|
| PROJECTION                          |  | TITLE                                  |  |
| UNITS                               |  | mm                                     |  |
| SHEET SIZE                          |  | A4                                     |  |
| SERIES                              |  | DS1092-03 Series                       |  |
| 2325 Lithium Coin Cell              |  | Battery Holders Horizontal Insert type |  |
| CONNELY CONNELY ELECTRONIC CO., LTD |  | 晨翔电子有限公司                               |  |

Recommend PCB Layout  
Tolerance=±0.05



- NOTE:
- 1.1 Base: Thermoplastic, UL94 V-0, Color of black.
  - 1.2 Positive & Negative Contacts: Copper Alloy.
  - Temp. Range: -40°C to +105°C.
  - 2.1 Dielectric Withstanding Voltage: AC 500V AC.
  - 2.2 Insulation Resistance: 1000MΩ min.
  - 2.3 Contact Resistance: 100mΩ Max.
  3. Part Number Code: DS1092-03 - X X X X
- Housing material: P: PBT  
 Contact plating: N: Nickel  
 Housing color: B: Black

|             |   |             |              |          |  |
|-------------|---|-------------|--------------|----------|--|
| REV.        | A | NEW RELEASE | YCH 08/07/12 |          |  |
| DESCRIPTION |   | DRAWN       | CHECKED      | APPROVED |  |
|             |   |             |              |          |  |
|             |   |             |              |          |  |

## X-ON Electronics

Largest Supplier of Electrical and Electronic Components

*Click to view similar products for [Coin Cell Battery Holders](#) category:*

*Click to view products by [Connfly](#) manufacturer:*

Other Similar products are found below :

[3035](#) [1026](#) [1059](#) [1060](#) [1063](#) [1065](#) [1068](#) [1093](#) [D2](#) [D3](#) [46400000](#) [BC-0403](#) [BH-121-1B](#) [BH-1/2AA-2A](#) [BH-131A](#) [BH-3101A](#) [BH-3103B](#)  
[BH-311-1A](#) [BH-311-1D](#) [BH-321-1B](#) [BH-321-1D](#) [BH-331-3D](#) [BH-331P](#) [BH-333A](#) [BH-341-1P](#) [BH-342-1A](#) [BH-351A](#) [BH-383A](#) [BH-421A](#)  
[BH-422A](#) [BH-425A](#) [BH-431-1B](#) [BH-463A](#) [BH-511A](#) [BHC-18650-1P](#) [46300000](#) [46600000](#) [1058TR](#) [SBH-321-1AS](#) [SBH-331A](#) [SBH-341-1A](#) [SBH-341-AS](#) [SBH-421-1A](#) [SBH-431-1AS](#) [SBH-441A](#) [SBH-9VA](#) [BH-121-1A](#) [BHC-18650-1A](#) [SBH-421-1AS](#) [SBH-441AS](#)