

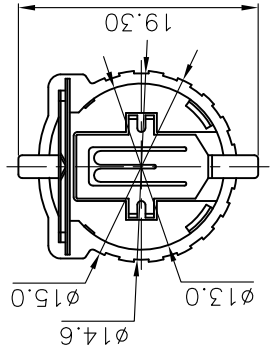
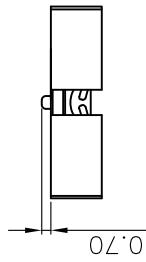
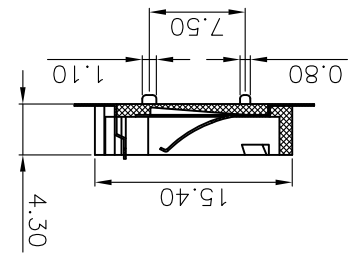
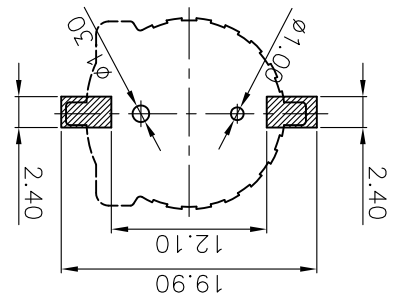
A	REV.	DESCRIPTION	DRAWN	CHECKED	APPROVED
A	A	NEW RELEASE	YCH 08/07/12'		
B					
C					
D					
E					
F					
G					
H					
1					
2					
3					
4					
5					
6					
7					
8					

NOTE:

1. Materials:
 - 1.1 Base: Thermoplastic, UL94 V-0, Color of black.
 - Temp. Range: -40°C to +105°C.
 - 1.2 Positive & Negative Contacts: Copper Alloy.
2. Specification:
 - 2.1 Dielectric Withstanding Voltage: AC 500V AC.
 - 2.2 Insulation Resistance: 1000MΩ min.
 - 2.3 Contact Resistance: 100mΩ Max.
3. Part Number Code:
 - DS1092-12 - X X X X

- Housing material: S: PPS
- Contact plating: 8: Gold Flash
- Housing color: N: Brown

Recommend PCB Layout
Tolerance=±0.05



GENERAL TOLERANCE	X. ±0.60	X. ±0.38	X. ±0.25
ANGLE TOLERANCE	±5.	±3.	±2.
	X. ±5.	X. ±3.	.XX ±2.
DRAWING TYPE	CUSTOMER		
SCALE	1:1	SHEET	10F1
DRAWING NO.	C-DS1092-12-XXX-A		

1220 Lithium Coin Cell
Battery Holders Horizontal Insert SMT type

UNITS: mm

SHEET SIZE: A4

SERIES: DS1092-12 Series

PROJECTION: TITLE

晨翔电子有限公司
CONNFLY CONNFLY ELECTRONIC CO., LTD

X-ON Electronics

Largest Supplier of Electrical and Electronic Components

Click to view similar products for [Coin Cell Battery Holders](#) category:

Click to view products by [Connfly](#) manufacturer:

Other Similar products are found below :

[3035](#) [1026](#) [1059](#) [1060](#) [1063](#) [1065](#) [1068](#) [1093](#) [D2](#) [D3](#) [46400000](#) [BC-0403](#) [BH-121-1B](#) [BH-1/2AA-2A](#) [BH-131A](#) [BH-3101A](#) [BH-3103B](#)
[BH-311-1A](#) [BH-311-1D](#) [BH-321-1B](#) [BH-321-1D](#) [BH-331-3D](#) [BH-331P](#) [BH-333A](#) [BH-341-1P](#) [BH-342-1A](#) [BH-351A](#) [BH-383A](#) [BH-421A](#)
[BH-422A](#) [BH-425A](#) [BH-431-1B](#) [BH-463A](#) [BH-511A](#) [BHC-18650-1P](#) [46300000](#) [46600000](#) [1058TR](#) [SBH-321-1AS](#) [SBH-331A](#) [SBH-341-](#)
[1A](#) [SBH-341-AS](#) [SBH-421-1A](#) [SBH-431-1AS](#) [SBH-441A](#) [SBH-9VA](#) [BH-121-1A](#) [BHC-18650-1A](#) [SBH-421-1AS](#) [SBH-441AS](#)