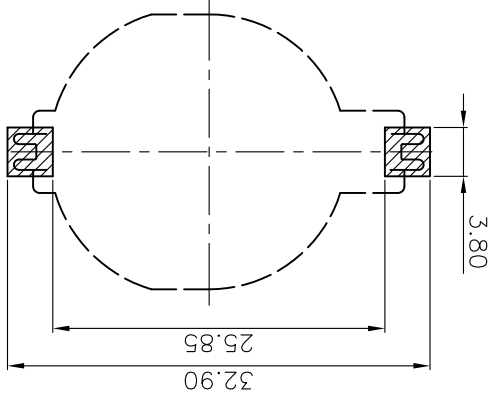


Recommend PCB Layout  
Tolerance=±0.05



- NOTE:
1. Materials:
    - 1.1 Base: Thermoplastic, UL94 V-0, Color of black.
    - Temp. Range: -40°C to +105°C.
    - 1.2 Positive & Negative Contacts: Copper Alloy.
  2. Specification:
    - 2.1 Dielectric Withstanding Voltage: AC 500V AC.
    - 2.2 Insulation Resistance: 1000MΩ min.
    - 2.3 Contact Resistance: 100mΩ Max.
  3. Part Number Code:
    - DS1092-13 - X X X X

- Housing material: S: PPS
- Contact plating: 8: Gold Flash
- Housing color: N: Brown

GENERAL TOLERANCE ANGLE TOLERANCE

X. ±0.60  
X. ±0.38  
.XX ±0.25

X. ±5.  
X. ±3.  
.XX ±2.

DRAWING TYPE CUSTOMER

SCALE 1:1

SHEET 10F1

DRAWING NO. C-DS1092-13-XXX-A

晨翔电子有限公司  
CONNFLY CONNFLY ELECTRONIC CO., LTD



SHEET SIZE A4

SERIES DS1092-13 Series

2032 Lithium Coin Cell  
Battery Holders Horizontal Insert SMT type

PROJECTION



TITLE

UNITS mm

2032 Lithium Coin Cell  
Battery Holders Horizontal Insert SMT type

REV. A

DESCRIPTION NEW RELEASE

DRAWN YCH 08/07/12

CHECKED

APPROVED

## X-ON Electronics

Largest Supplier of Electrical and Electronic Components

*Click to view similar products for [Coin Cell Battery Holders](#) category:*

*Click to view products by [Connfly](#) manufacturer:*

Other Similar products are found below :

[3035](#) [1026](#) [1059](#) [1060](#) [1063](#) [1065](#) [1068](#) [1093](#) [D2](#) [D3](#) [46400000](#) [BC-0403](#) [BH-121-1B](#) [BH-1/2AA-2A](#) [BH-131A](#) [BH-3101A](#) [BH-3103B](#)  
[BH-311-1A](#) [BH-311-1D](#) [BH-321-1B](#) [BH-321-1D](#) [BH-331-3D](#) [BH-331P](#) [BH-333A](#) [BH-341-1P](#) [BH-342-1A](#) [BH-351A](#) [BH-383A](#) [BH-421A](#)  
[BH-422A](#) [BH-425A](#) [BH-431-1B](#) [BH-463A](#) [BH-511A](#) [BHC-18650-1P](#) [46300000](#) [46600000](#) [1058TR](#) [SBH-321-1AS](#) [SBH-331A](#) [SBH-341-1A](#) [SBH-341-AS](#) [SBH-421-1A](#) [SBH-431-1AS](#) [SBH-441A](#) [SBH-9VA](#) [BH-121-1A](#) [BHC-18650-1A](#) [SBH-421-1AS](#) [SBH-441AS](#)