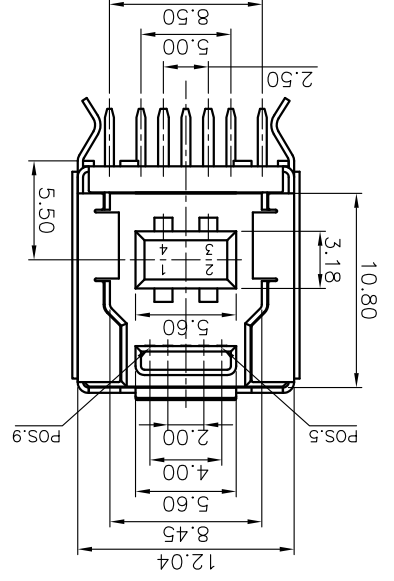
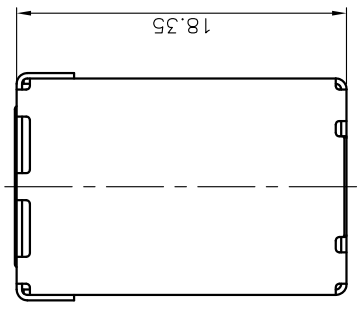
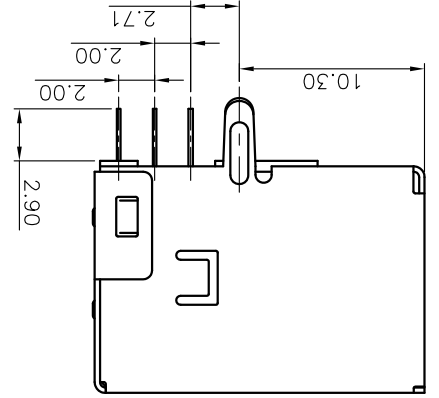
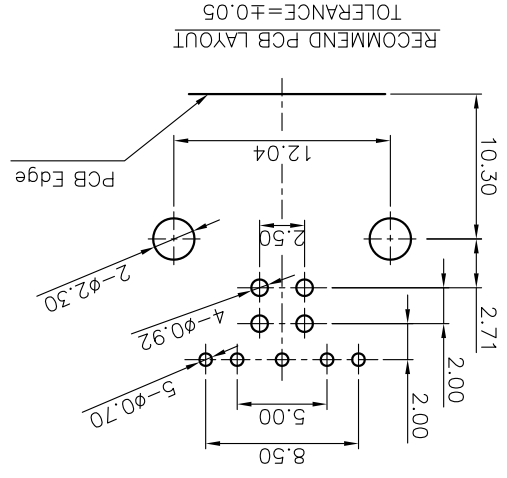


 <b>晨翔电子有限公司</b> <b>CONFLY ELECTRONIC CO., LTD</b>		DRAWING NO. C-DS1099-02-XXX SCALE 1:1 SHEET 1 OF 1 DRAWING TYPE CUSTOMER	
SHEET SIZE A4 SERIES DS1099-02 SERIES	UNITS mm PROJECTION 	GENERAL TOLERANCE X. ±0.60 X. ±0.38 X. ±0.25 .XX ±2 .X ±3 .X ±5	ANGLE TOLERANCE X. ±5 .X ±3 .XX ±2
USB 3.0 B TYPE FEMALE R/A DIP TYPE	TITLE		



- NOTES:
- SPECIFICATIONS:  
 1.0 CONTACT RESISTANCE: 30mΩ(max.) INITIAL FOR VBUS AND GND CONTACTS. 50mΩ(max.) INITIAL FOR ALL OTHER CONTACTS.  
 1.1 INSULATOR RESISTANCE: 100MΩ min. AT 100V DC.  
 1.2 CURRENT RATING: 1.8A FOR VBUS PIN AND ITS CORRESPONDING GND PIN. 0.25A (MIN.) FOR ALL OTHER CONTACTS  
 1.3 VOLTAGE RATING: 30V AC/DC.  
 1.4 DIELECTRIC STRENGTH: AC 100V FOR 1 Minute.  
 1.5 OPERATING TEMPERATURE: -40°C ~ +105°C.
  - MATERIALS:  
 2.0 HOUSING: THERMOPLASTIC (UL 94-0).  
 2.1 CONTACT: COPPER ALLOY  
 2.2 SHELL: COPPER ALLOY.  
 3. PRODUCT NUMBER CODE:  
 DS1099-02 - X X X  
 CONTACT PLATING:  
 0: Selective Gold Flash  
 03: Selective Gold 3u"  
 30: Selective Gold 30u"  
 SHELL PLATING  
 N: Nickel  
 6: Tin  
 COLOR OF HOUSING:  
 L: Blue  
 W: White  
 B: Black

REV.	A	DESCRIPTION	NEW RELEASE	YCH 09/04/10'	CHECKED	APPROVED

## X-ON Electronics

Largest Supplier of Electrical and Electronic Components

*Click to view similar products for [USB Cables / IEEE 1394 Cables category](#):*

*Click to view products by [Connfly manufacturer](#):*

Other Similar products are found below :

[68768-0173](#) [FNY-W6003-01](#) [88764-0800](#) [13805532](#) [148700-1](#) [17-200621](#) [17-250051P](#) [954](#) [AC102012-2](#) [IP-USB1\(C10\)S-RW](#)  
[CABLE/RTP/USB/DT](#) [0847290003](#) [10115240-12200LF](#) [RS232-GTD](#) [USBFTVX2SA2N03A](#) [USBFTV2SA2N03A](#) [1689404-1](#) [FTP-](#)  
[629Y401](#) [FTP-628Y402](#) [943301-001](#) [FNY-W6022](#) [FNY-W6003-03](#) [1310-1015-05](#) [1310-1019-04](#) [0887283402](#) [UA-30AMFM-SL7B02](#) [UA-](#)  
[30AMFM-SL7B01](#) [UA-30AFM-LD7B03](#) [UA-30AMFM-SL7B03](#) [USBAPSCC7202A](#) [UES-1001A160](#) [UES-1003A160](#)  
[USBFTVX7SA2N20A](#) [USBFTVX2SA2N20A](#) [USBFTV2PEMSA2N10A](#) [FTP-629Y602](#) [USBCAMCM100](#) [USB A/F\\*2 to 2.54 2\\*5P-SH](#)  
[L=400mm](#) [EP-CBUSB10P2FLT](#) [1310-1033-01](#) [1310-1037-04](#) [ASR-USB](#) [68784-0075](#) [17-241361](#) [17-230471](#) [217B-BC02](#) [USB-29](#) [19800-](#)  
[010500-200-RS](#) [USB+MINI DIN 6P WITH BKT](#) [84729-0025](#)