

| REV. | DESCRIPTION | DRAWN | CHECKED | APPROVED |
|------|-------------|---------------|---------|----------|
| A | NEW RELEASE | YCH 08/17/07' | | |
| | | | | |
| | | | | |
| | | | | |

NOTES:

1. SPECIFICATION

CURRENT RATING: 5A Max.

DIELECTRIC WITH STANDING VOLTAGE: 500V(AC)

CONTACT RESISTANCE: 100mΩ Max.

INSULATION RESISTANCE: 1000MΩ(DC)Min.

2. PRODUCT NUMBER CODE:

DS1110-07 - X X X X X X

SHELL SURFACE FINISHED

P:SPRAY THE PAINT (GRAY)

CONTACT PLATING

Y: SILVER

COLOR OF HOUSING:

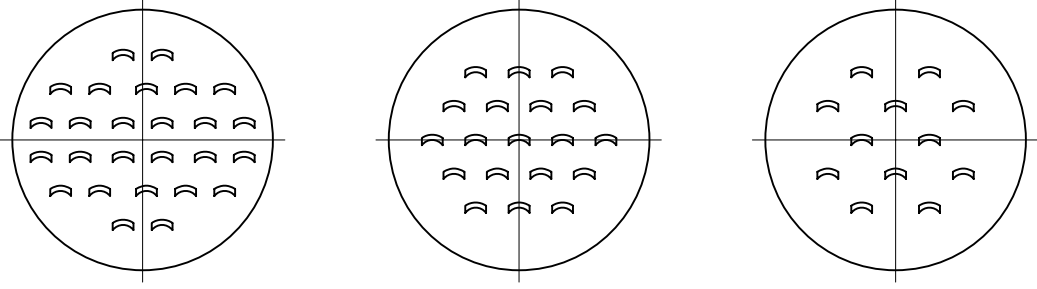
L: BLUE

No. OF CONTACTS

12: 12pin

19: 19pin

26: 26pin



| | | | |
|------------|------------------|------------|----------------------|
| PROJECTION | | TITLE | MICRO JACK CONNECTOR |
| UNITS | mm | SHEET SIZE | A4 |
| SERIES | DS1110-07 SERIES | | |

GENERAL TOLERANCE

X. ±0.60

X. ±0.38

X. ±0.25

ANGLE TOLERANCE

X. ±5°

X. ±3°

.XX ±2°

DRAWING TYPE CUSTOMER

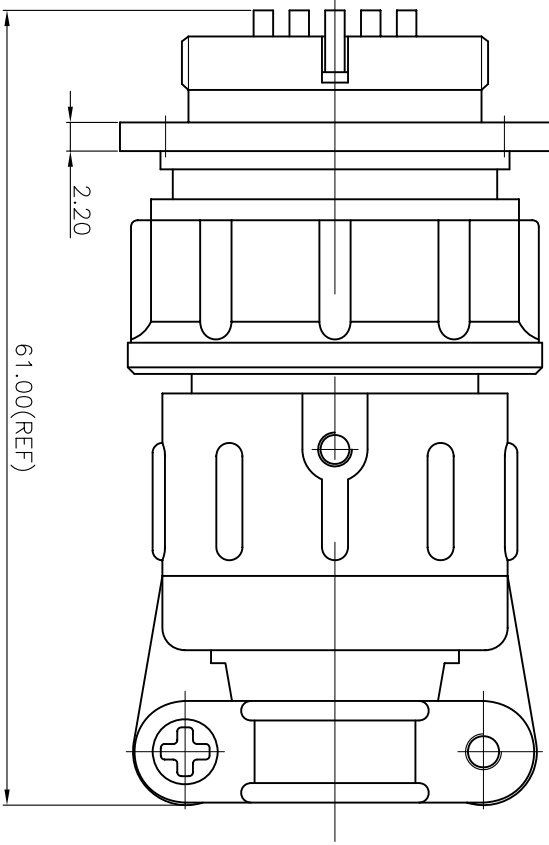
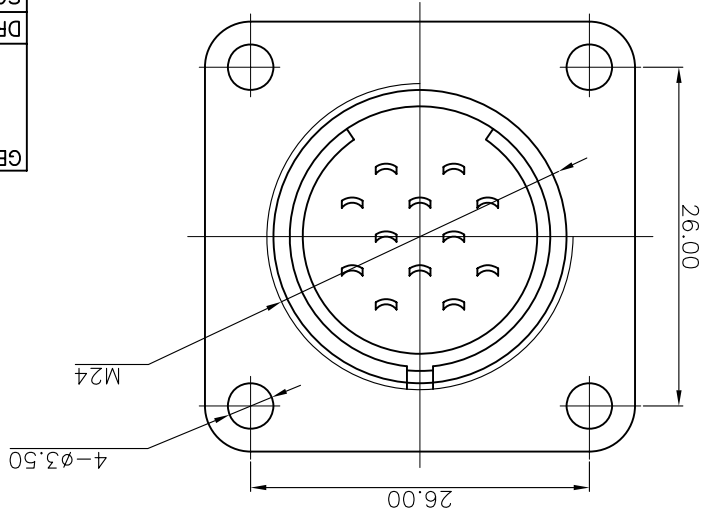
SCALE

1:1

SHEET 1 OF 1

DRAWING NO. C-DS1110-07-XXX

晨翔电子有限公司
CONNLY CONNLY ELECTRONIC CO., LTD



X-ON Electronics

Largest Supplier of Electrical and Electronic Components

Click to view similar products for [Unspecified Connectors](#) category:

Click to view products by [Connfly](#) manufacturer:

Other Similar products are found below :

[1-21107-1](#) [RAD-OUT-8D-REL](#) [RF-17S1N8A80DU](#) [2-21053-5](#) [PSC-28-1](#) [38111](#) [403000A10M050](#) [1-1589688-1](#) [QUINT-PS/1AC/48DC/10](#)
[99 9113 02 05](#) [578302](#) [578286](#) [130623](#) [186316](#) [153253](#) [186328](#) [153276](#) [153341](#) [153322](#) [153354](#) [193951](#) [130642](#) [1713941](#) [HC-DD72-I-](#)
[CT-F](#) [VC-AR1/2M-S88-SET](#) [RC-5AS2000](#) [RC-Z2068](#) [VC-TR5/6M](#) [RAD-900-CONF-RF1](#) [RAD-CON-SMA-N-SS](#) [RAD-ISM-900-ANT-](#)
[OMNI-0-6](#) [RAD-PIG-EF316-N-RSMA](#) [RIF-0-RPT-12DC/21](#) [RIF-1-BPT/2X21](#) [RIF-1-RPT-LV-120AC/2X21AU](#) [RIF-RH-1](#) [SIM-AMSC1](#)
[PV-FT-C2F-HSG](#) [HC-EVO-B06-HHFS-2B-PL-BK](#) [99 0210 00 04](#) [801377](#) [803579](#) [710-00007](#) [122.005-6](#) [122.012-10](#) [122.018-10](#) [122.038-6](#)
[125.038-8](#) [135.016](#) [136.0804](#)