

**ACT20P**  
**ACT20P-CI-CO-P**

**Weidmüller Interface GmbH & Co. KG**  
 Klingenbergstraße 16  
 D-32758 Detmold  
 Germany  
 Fon: +49 5231 14-0  
 Fax: +49 5231 14-292083  
 www.weidmueller.com

**Product image**

**ACT20P: The flexible solution**

- Precise and highly functional signal converters
- Simple configuration via display (Pro DCDC II), FDT/DTM software or DIP switch
- Release levers simplify handling
- More space in the control cabinet, from 12.5 mm wide for two channels

**General ordering data**

Type	ACT20P-CI-CO-P
Order No.	<a href="#">2489680000</a>
Version	Signal converter/isolator, Input : 0(4)-20 mA, Output : 0(4)-20 mA
GTIN (EAN)	4050118535150
Qty.	1 pc(s).

**ACT20P**  
**ACT20P-CI-CO-P**

**Weidmüller Interface GmbH & Co. KG**  
 Klingenbergstraße 16  
 D-32758 Detmold  
 Germany  
 Fon: +49 5231 14-0  
 Fax: +49 5231 14-292083  
 www.weidmueller.com

**Technical data****Dimensions and weights**

Width	12.5 mm	Width (inches)	0.492 inch
Height	117.2 mm	Height (inches)	4.614 inch
Depth	113.7 mm	Depth (inches)	4.476 inch
Weight	110 g	Net weight	120 g

**Temperatures**

Humidity	5...95 %, no condensation	Operating temperature, max.	60 °C
Operating temperature, min.	-20 °C	Storage temperature, max.	85 °C
Storage temperature, min.	-40 °C	Operating temperature	-20 °C...60 °C
Storage temperature	-40 °C...85 °C		

**Environmental Product Compliance**

REACH SVHC	Lead 7439-92-1
------------	----------------

**Input**

Number of inputs	1	Sensor supply	> 17 V DC at 20 mA
Input signal	2-/3-wire transmitter, bi-directional HART <sup>®</sup> signal	Input current	0...20 mA, 4...20mA
Voltage drop	≤ 1 V		

**Output**

Number of outputs	1	Output current	0...20 mA, 4...20 mA, HART <sup>®</sup> digital signal
load impedance current	≤ 550 Ω		

**General data**

Accuracy	< 0.1 % of end value	Configuration	none
Current consumption	≤60 mA (24V power supply, 20mA output)	Galvanic isolation	3-way isolator, between input/output/supply
Rail	TS 35	Step response time	≤ 0,5 ms
Temperature coefficient	80 ppm/K	Voltage supply	20...30 V DC

**Insulation coordination**

EMC standards	EN 61010-1:2011, UL 61010-1, EN 61326-1	Galvanic isolation	3-way isolator, between input/output/supply
Impulse withstand voltage	4 kV (1.2/50 μs)	Insulation voltage	2 kV inputs / outputs / power supply
Pollution severity	2	Surge voltage category	III
Test voltage	300 V		

**Connection data**

Type of connection	PUSH IN	Tightening torque, min.	0.4 Nm
Tightening torque, max.	0.6 Nm	Clamping range, rated connection	2.5 mm <sup>2</sup>
Clamping range, min.	0.5 mm <sup>2</sup>	Clamping range, max.	2.5 mm <sup>2</sup>
Wire connection cross section AWG, min.	AWG 30	Wire connection cross section AWG, max.	AWG 14

**ACT20P  
ACT20P-CI-CO-P**

**Weidmüller Interface GmbH & Co. KG**  
 Klingenbergstraße 16  
 D-32758 Detmold  
 Germany  
 Fon: +49 5231 14-0  
 Fax: +49 5231 14-292083  
 www.weidmueller.com

**Technical data**

**Classifications**

ETIM 6.0	EC002653	eClass 6.2	27-21-01-07
eClass 9.0	27-21-01-20	eClass 9.1	27-21-01-90

**Product information**

Product information

The non-adjustable DC isolating amplifier ACT20P-CI-CO isolates analogue standard current signals from a power source or from a 2- or 3-wire sensor. An analogue input current signal is linearly converted into an analogue output current signal and is galvanically isolated. The power supply is galvanically isolated from the input and output (3-way isolation).

Properties

- HART-compatible for 0.5 - 2.5 kHz
- The active or passive mA signal inputs are fully galvanically isolated.
- Operating status display on a front panel LED
- Galvanic 3-way isolation between input, output and supply.

**Approvals**

Approvals



Approvals

CULUS;

**Downloads**

Approval/Certificate/Document of Conformity	<a href="#">Declaration of Conformity</a>
User Documentation	<a href="#">Instruction sheet</a>

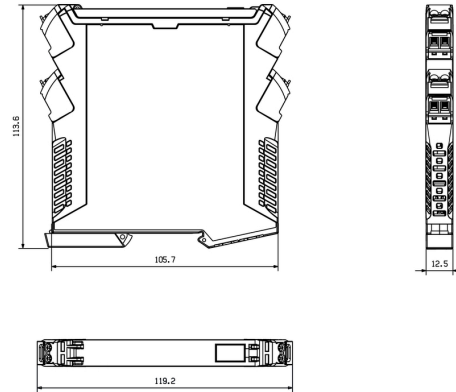
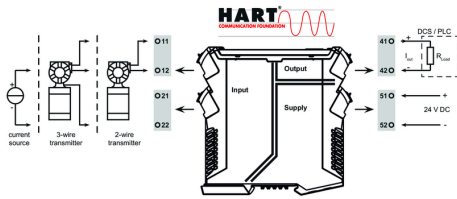
**Data sheet**

**ACT20P  
ACT20P-CI-CO-P**

**Weidmüller Interface GmbH & Co. KG**  
 Klingenbergstraße 16  
 D-32758 Detmold  
 Germany  
 Fon: +49 5231 14-0  
 Fax: +49 5231 14-292083  
 www.weidmueller.com

**Drawings**

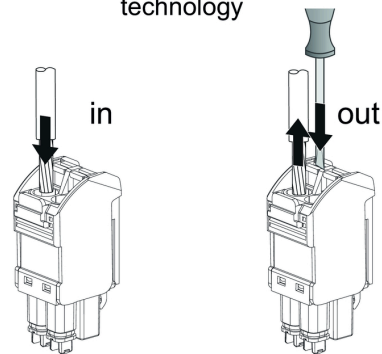
**Dimensioned drawing, Similar to illustration**



**Similar to illustration**



**PUSH IN  
technology**



## X-ON Electronics

Largest Supplier of Electrical and Electronic Components

*Click to view similar products for [Measuring Tools](#) category:*

*Click to view products by [Weidmuller](#) manufacturer:*

Other Similar products are found below :

[G336](#) [M225203-01](#) [G426](#) [G1333](#) [G1327](#) [G1154](#) [G1150](#) [G1152](#) [G1157](#) [G1153](#) [G1155](#) [G1009](#) [1051-03](#) [121010D](#) [121050D](#) [25541](#) [8255](#)  
[NF-221200130](#) [20323](#) [20329](#) [20363](#) [20365](#) [20515](#) [20516](#) [G800](#) [G1229](#) [5205000](#) [5206000](#) [5223000](#) [6921000](#) [YT-30061](#) [W002900](#)  
[W061008](#) [W061009](#) [W061010](#) [W062004](#) [W066005](#) [W066006](#) [15225](#) [16135](#) [16456](#) [17215](#) [17218](#) [17221](#) [17670](#) [17672](#) [17677](#) [17953](#)  
[18115](#) [18879](#)