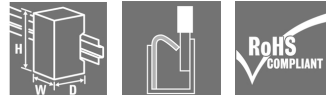


## ACT20P ACT20P-CI-VO-P

**Weidmüller Interface GmbH & Co. KG**  
 Klingenbergstraße 16  
 D-32758 Detmold  
 Germany  
 Fon: +49 5231 14-0  
 Fax: +49 5231 14-292083  
 www.weidmueller.com

### Similar to illustration



#### ACT20P: The flexible solution

- Precise and highly functional signal converters
- Simple configuration via display (Pro DCDC II), FDT/DTM software or DIP switch
- Release levers simplify handling
- More space in the control cabinet, from 12.5 mm wide for two channels

#### General ordering data

Type	ACT20P-CI-VO-P
Order No.	<a href="#">2489740000</a>
Version	Signal converter/isolator, Input : 0(4)-20 mA, Output : 0-10 V
GTIN (EAN)	4050118535181
Qty.	1 pc(s).

**ACT20P**  
**ACT20P-CI-VO-P**

**Weidmüller Interface GmbH & Co. KG**  
 Klingenbergstraße 16  
 D-32758 Detmold  
 Germany  
 Fon: +49 5231 14-0  
 Fax: +49 5231 14-292083  
 www.weidmueller.com

**Technical data****Dimensions and weights**

Width	12.5 mm	Width (inches)	0.492 inch
Height	117.2 mm	Height (inches)	4.614 inch
Depth	113.7 mm	Depth (inches)	4.476 inch
Weight	110 g	Net weight	120 g

**Temperatures**

Humidity	5...95 %, no condensation	Operating temperature, max.	60 °C
Operating temperature, min.	-20 °C	Storage temperature, max.	85 °C
Storage temperature, min.	-40 °C	Operating temperature	-20 °C...60 °C
Storage temperature	-40 °C...85 °C		

**Environmental Product Compliance**

REACH SVHC	Lead 7439-92-1
------------	----------------

**Input**

Number of inputs	1	Sensor supply	> 17 V DC at 20 mA
Input signal	2-/3-wire transmitter, Current source	Input current	0...20 mA, 4...20mA
Voltage drop	≤ 1 V		

**Output**

Number of outputs	1	Output voltage, note	0...10 V, 2...10 V
load impedance voltage	≥ 600 kΩ		

**General data**

Accuracy	±0,1 % FSR max., 0,05 % FSR typ.	Configuration	none
Current consumption	≤60 mA (24V power supply, 20mA output)	Galvanic isolation	3-way isolator, between input/output/supply
Rail	TS 35	Step response time	≤ 0,5 ms
Temperature coefficient	80 ppm/K	Voltage supply	20...30 V DC

**Insulation coordination**

EMC standards	EN 61326-1	Galvanic isolation	3-way isolator, between input/output/supply
Impulse withstand voltage	4 kV (1.2/50 μs)	Insulation voltage	2 kV inputs / outputs / power supply
Pollution severity	2	Surge voltage category	III
Test voltage	300 V		

**Connection data**

Type of connection	PUSH IN	Tightening torque, min.	0.4 Nm
Tightening torque, max.	0.6 Nm	Clamping range, rated connection	0.6 mm <sup>2</sup>
Clamping range, min.	0.5 mm <sup>2</sup>	Clamping range, max.	2.5 mm <sup>2</sup>
Wire connection cross section AWG, min.	AWG 30	Wire connection cross section AWG, max.	AWG 14

**Data sheet**

**ACT20P  
ACT20P-CI-VO-P**

**Weidmüller Interface GmbH & Co. KG**  
 Klingenbergstraße 16  
 D-32758 Detmold  
 Germany  
 Fon: +49 5231 14-0  
 Fax: +49 5231 14-292083  
 www.weidmueller.com

**Technical data**

**Classifications**

ETIM 6.0	EC002653	eClass 6.2	27-21-01-07
eClass 9.0	27-21-01-20	eClass 9.1	27-21-01-90

**Product information**

Product information      The fixed DC repeater ACT20P-CI-VO isolates analogue standard current signals from a power source or from a 2- or 3-wire sensor. An analogue input current signal is converted linear and galvanic isolated into an analogue output voltage signal. The power supply is galvanically isolated from input and output (3-way isolation).

Features

- The active or passive mA current signal inputs are completely electrically isolated.
- Front LED indicates operation status.
- 3-way galvanic isolation between input, output and power supply

**Approvals**



Approvals      CULUS;

**Downloads**

Approval/Certificate/Document of Conformity	<a href="#">Declaration of Conformity</a>
User Documentation	<a href="#">Instruction sheet</a>

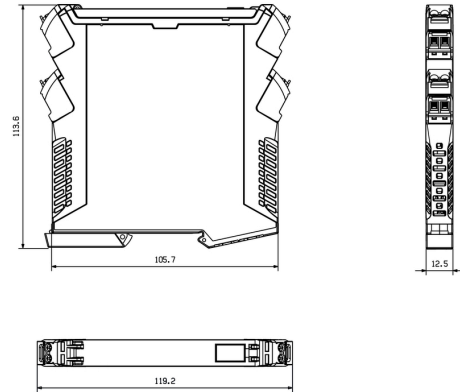
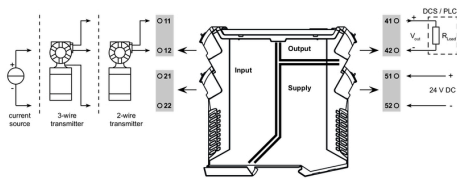
**Data sheet**

**ACT20P  
ACT20P-CI-VO-P**

**Weidmüller Interface GmbH & Co. KG**  
 Klingenbergstraße 16  
 D-32758 Detmold  
 Germany  
 Fon: +49 5231 14-0  
 Fax: +49 5231 14-292083  
 www.weidmueller.com

**Drawings**

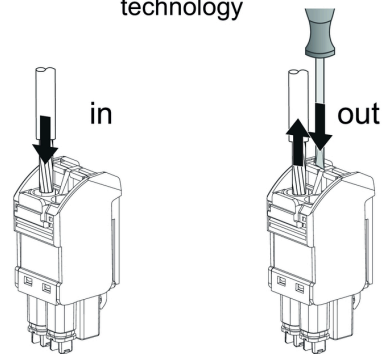
**Dimensioned drawing, Similar to illustration**



**Similar to illustration**



**PUSH IN  
technology**



## X-ON Electronics

Largest Supplier of Electrical and Electronic Components

*Click to view similar products for [Measuring Tools](#) category:*

*Click to view products by [Weidmuller](#) manufacturer:*

Other Similar products are found below :

[G336](#) [M225203-01](#) [G426](#) [G1333](#) [G1327](#) [G1154](#) [G1150](#) [G1152](#) [G1157](#) [G1153](#) [G1155](#) [G1009](#) [1051-03](#) [121010D](#) [121050D](#) [25541](#) [8255](#)  
[NF-221200130](#) [20323](#) [20329](#) [20363](#) [20365](#) [20515](#) [20516](#) [G800](#) [G1229](#) [5205000](#) [5206000](#) [5223000](#) [6921000](#) [YT-30061](#) [W002900](#)  
[W061008](#) [W061009](#) [W061010](#) [W062004](#) [W066005](#) [W066006](#) [15225](#) [16135](#) [16456](#) [17215](#) [17218](#) [17221](#) [17670](#) [17672](#) [17677](#) [17953](#)  
[18115](#) [18879](#)