

ISL5416

Four-Channel Wideband Programmable DownConverter

FN6006
Rev 3.00
Aug 2004

The ISL5416 Four-Channel Wideband Programmable Digital DownConverter (WPDC) is designed for high dynamic range applications such as cellular basestations where the processing of multiple channels is required in a small physical space. The WPDC combines four channels in a single package, each including: an NCO, a digital mixer, digital filters, an AGC and a resampling filter.

All channels are independently programmable and may be updated in real time. Each of the four channels can select any of the four digital input buses. Each of the tuners can process a W-CDMA channel. Channels may be cascaded or polyphased for increased bandwidth. Selectable outputs include I samples, Q samples, and AGC gain. Outputs from the part are available over the parallel, serial or μ P interfaces.

Ordering Information

PART NUMBER	TEMP RANGE (°C)	PACKAGE	PKG. DWG. #
ISL5416KI	-40 to 85	256 BGA	V256.17x17
ISL5416KIZ (See Note)	-40 to 85	256 BGA (Pb-free)	V256.17x17
ISL5416EVAL1	25	EVALUATION KIT	

NOTE: Intersil Pb-free products employ special Pb-free material sets; molding compounds/die attach materials and 100% matte tin plate termination finish, which is compatible with both SnPb and Pb-free soldering operations. Intersil Pb-free products are MSL classified at Pb-free peak reflow temperatures that meet or exceed the Pb-free requirements of IPC/JEDEC J Std-020B.

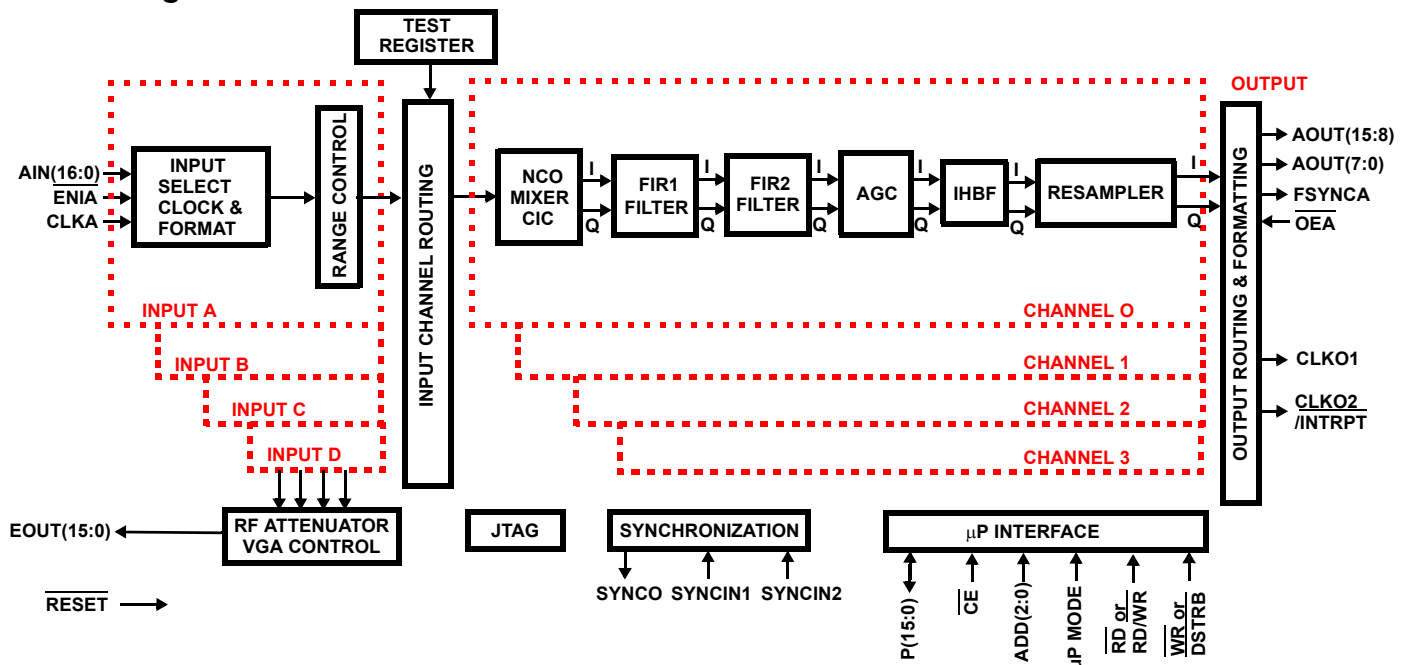
Features

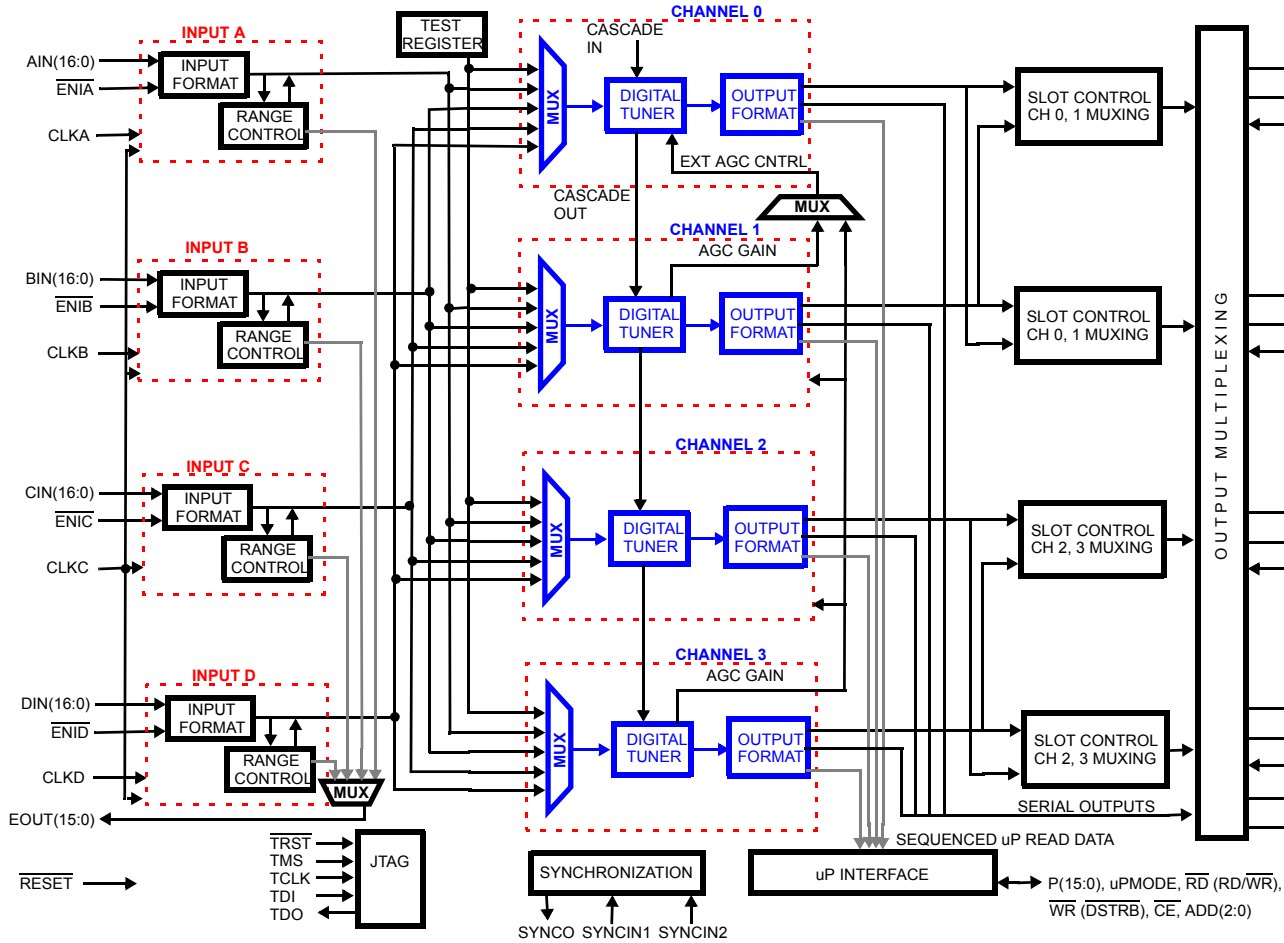
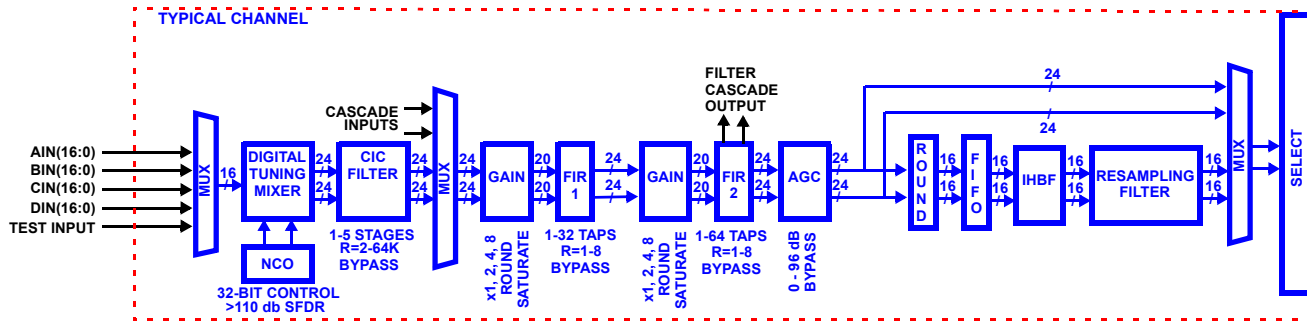
- Up to 95MSPS Input
- Four Parallel 16-bit Fixed or 17-bit Floating Point Inputs
- Programmable RF Attenuator/VGA Control
- 32-Bit Programmable Carrier NCO with > 110dB SFDR
- 20-bit Internal Data Path
- Filter Functions
 - Multi-Stage Cascaded-Integrator-Comb (CIC) Filter
 - Two programmable FIR Filters (first up to 32-taps, second up to 64-taps)
 - Half Band Interpolation Filter
 - Resampling FIR Filter
- Overall decimation from 1 to >4096
- Digital AGC with up to 96dB of Gain Range
- Up to Four Independent 16-bit Parallel Outputs
- Serial Output Option
- 16-bit Parallel μ P Interface
- 1.8V core, 3.3V I/O Operation
- Evaluation Board and Configuration Software available
- Pb-free available

Applications

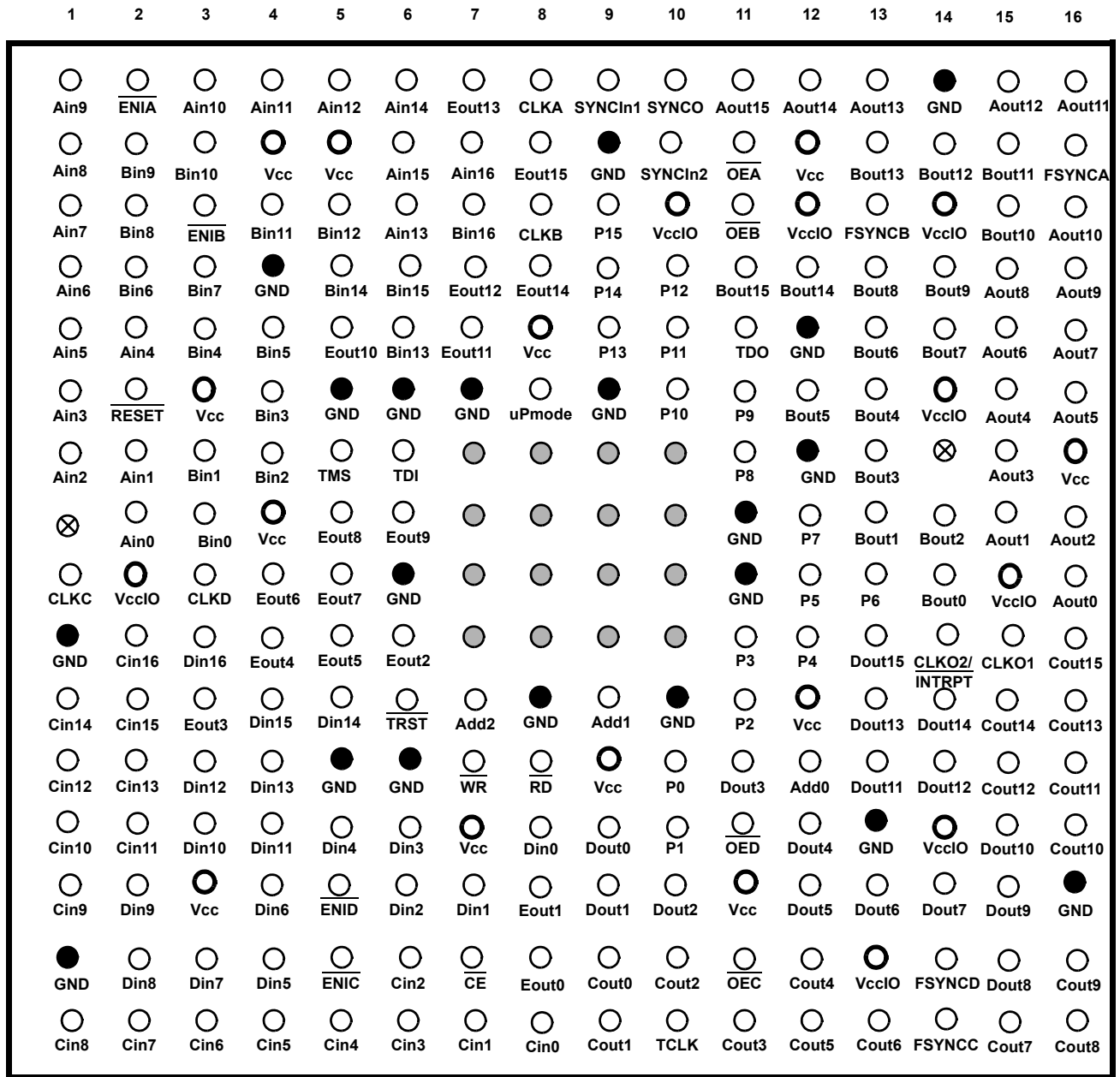
- Basestation Receivers: GSM/EDGE, CDMA2000, UMTS.

Block Diagram





256-LEAD BGA
TOP VIEW



Vcc = +1.8V CORE SUPPLY VOLTAGE

VccIO = +3.3V I/O SUPPLY VOLTAGE

NOTE: Thermal Balls should be connected to the ground plane
Unused Input Balls should be connected to ground or V_{cc}IO as appropriate

Pin Descriptions

NAME	TYPE	INTERNAL PULL-UP/DOWN	DESCRIPTION
POWER SUPPLY			
Vcc	-		Positive Power Supply Voltage (core), 1.8V ±0.09
VccIO	-		Positive Power Supply Voltage (I/O), 3.3V ±0.165
GND	-		Ground, 0V.
INPUTS			
Ain(16:0)	I	PULL DOWN	Parallel Data Input bus A. Sampled on the rising or falling edge (programmable) of clock when $\overline{\text{ENIA}}$ is active (low). The bus order can be programmed (See IWA = 0*00h, bit 4).
Bin(16:0)	I	PULL DOWN	Parallel Data Input bus B. Sampled on the rising or falling edge (programmable) of clock when $\overline{\text{ENIB}}$ is active (low). The bus order can be programmed (See IWA = 0*00h, bit 4).
Cin(16:0)	I	PULL DOWN	Parallel Data Input bus C. Sampled on the rising or falling edge (programmable) of clock when $\overline{\text{ENIC}}$ is active (low). The bus order can be programmed (See IWA = 0*00h, bit 4).
Din(16:0)	I	PULL DOWN	Parallel Data Input bus D. Sampled on the rising or falling edge (programmable) of clock when $\overline{\text{ENID}}$ is active (low). The bus order can be programmed (See IWA = 0*00h, bit 4).
$\overline{\text{ENIA}}$	I	PULL DOWN	Input enable for Parallel Data Input bus A. Active low. This pin enables the input to the part in one of two modes, gated or interpolated. In gated mode, one sample is taken per CLK when $\overline{\text{ENIx}}$ is asserted.
$\overline{\text{ENIB}}$	I	PULL DOWN	Input enable for Parallel Data Input bus B. Active low. This pin enables the input to the part in one of two modes, gated or interpolated. In gated mode, one sample is taken per CLK when $\overline{\text{ENIx}}$ is asserted.
$\overline{\text{ENIC}}$	I	PULL DOWN	Input enable for Parallel Data Input bus C. Active low. This pin enables the input to the part in one of two modes, gated or interpolated. In gated mode, one sample is taken per CLK when $\overline{\text{ENIx}}$ is asserted.
$\overline{\text{ENID}}$	I	PULL DOWN	Input enable for Parallel Data Input bus D. Active low. This pin enables the input to the part in one of two modes, gated or interpolated. In gated mode, one sample is taken per CLK when $\overline{\text{ENIx}}$ is asserted.
CONTROL			
CLKA	I	PULL DOWN	Input clock for data bus A. CLKA or CLKC may be used for Ain(16:0).
CLKB	I	PULL DOWN	Input clock for data bus B. CLKB or CLKC may be used for Bin(16:0).
CLKC	I		Input clock for data bus C. CLKC is also the master clock for all channels of ISL5416
CLKD	I	PULL DOWN	Input clock for data bus D. CLKD or CLKC may be used for Din(16:0).
SYNCIn1	I	PULL DOWN	Global synchronization input signal 1. SYNCIn1 can update the carrier NCOs, reset decimation counters, restart the filter, and restart the output section among other functions. For most of the functional blocks, the response to SYNCIn1 is programmable and can be enabled or disabled.
SYNCIn2	I	PULL DOWN	Global synchronization input signal 2. SYNCIn2 can update the carrier NCOs, reset decimation counters, restart the filter, and restart the output section among other functions. For most of the functional blocks, the response to SYNCIn2 is programmable and can be enabled or disabled.
SYNCO	O		Synchronization Output Signal. The processing of multiple ISL5416 devices can be synchronized by tying the SYNCO from one ISL5416 device (the master) to the SYNCIn of all the ISL5416 devices (the master and slaves). An optional internal SYNCO to SYNCInX connection is provided.
$\overline{\text{RESET}}$	I	PULL UP	Reset Signal. Active low. Asserting reset will halt all processing and set certain registers to default values.

Pin Descriptions (Continued)

NAME	TYPE	INTERNAL PULL-UP/DOWN	DESCRIPTION																														
JTAG																																	
TDO	O		Test data out																														
TDI	I	PULL UP	Test data in.																														
TMS	I	PULL UP	Test mode select.																														
TCLK	I	PULL DOWN	Test clock.																														
$\overline{\text{TRST}}$	I	PULL UP	Test reset. Active low. If JTAG not used, tie this pin low. If there is a trace connected to the pin and there is enough board noise, the JTAG port might get into an unexpected state and stop communications with the part																														
OUTPUTS																																	
Aout(15:0)	O		Parallel Data Output bus A. A 16-bit parallel data output which can be programmed to consist of I, Q, AGC. Data from Channels 0, 1, 2 and 3 can be multiplexed into a common parallel output data bus. Information can be sequenced in a programmable order. Can be ones complemented. Can be divided into two 8-bit busses. See <i>Data Output Formatter Section and Microprocessor Interface Section</i> . See Table 24.																														
Bout(15:0)	O		Parallel Data Output bus B. A 16-bit parallel data output which can be programmed to consist of I, Q, AGC. Data from Channels 0, 1, 2 and 3 can be multiplexed into a common parallel output data bus. Information can be sequenced in a programmable order. Can be ones complemented. Can be divided into two 8-bit busses. See <i>Data Output Formatter Section and Microprocessor Interface Section</i> .																														
Cout(15:0)	O		Parallel Data Output bus C. A 16-bit parallel data output which can be programmed to consist of I, Q, AGC. Data from Channels 0, 1, 2 and 3 can be multiplexed into a common parallel output data bus. Information can be sequenced in a programmable order. Can be ones complemented. Can be divided into two 8-bit busses. See <i>Data Output Formatter Section and Microprocessor Interface Section</i> .																														
Dout(15:0)	O		<p>Parallel Data Output bus D. A 16-bit parallel data output which can be programmed to consist of I, Q, AGC. Data from Channels 0, 1, 2 and 3 can be multiplexed into a common parallel output data bus. Information can be sequenced in a programmable order. Can be ones complemented. Can be divided into two 8-bit busses. See <i>Data Output Formatter Section and Microprocessor Interface Section</i>.</p> <p>Below is the table of the serial output bits allocation for DOUT.</p> <table border="1" style="margin-left: auto; margin-right: auto;"> <thead> <tr> <th colspan="5">SERIAL OUTPUT BITS ALLOCATION</th> </tr> <tr> <th></th> <th>SER. OUTPUT A</th> <th>SER. OUTPUT B</th> <th>SER. OUTPUT C</th> <th>SER. OUTPUT D</th> </tr> </thead> <tbody> <tr> <td>SCLKX *</td> <td>DOUT0</td> <td>DOUT4</td> <td>DOUT8</td> <td>DOUT12</td> </tr> <tr> <td>SSYNCX *</td> <td>DOUT1</td> <td>DOUT5</td> <td>DOUT9</td> <td>DOUT13</td> </tr> <tr> <td>SD1X *</td> <td>DOUT2</td> <td>DOUT6</td> <td>DOUT10</td> <td>DOUT14</td> </tr> <tr> <td>SD2X *</td> <td>DOUT3</td> <td>DOUT7</td> <td>DOUT11</td> <td>DOUT15</td> </tr> </tbody> </table> <p>* X denotes A, B, C, D as appropriate</p>	SERIAL OUTPUT BITS ALLOCATION						SER. OUTPUT A	SER. OUTPUT B	SER. OUTPUT C	SER. OUTPUT D	SCLKX *	DOUT0	DOUT4	DOUT8	DOUT12	SSYNCX *	DOUT1	DOUT5	DOUT9	DOUT13	SD1X *	DOUT2	DOUT6	DOUT10	DOUT14	SD2X *	DOUT3	DOUT7	DOUT11	DOUT15
SERIAL OUTPUT BITS ALLOCATION																																	
	SER. OUTPUT A	SER. OUTPUT B	SER. OUTPUT C	SER. OUTPUT D																													
SCLKX *	DOUT0	DOUT4	DOUT8	DOUT12																													
SSYNCX *	DOUT1	DOUT5	DOUT9	DOUT13																													
SD1X *	DOUT2	DOUT6	DOUT10	DOUT14																													
SD2X *	DOUT3	DOUT7	DOUT11	DOUT15																													
Eout(15:0)	O		A 16-bit parallel VGA/Attenuator control output. Partitionable into separate 4 or 8-bit busses.																														
CLKO1	O		Output Clock 1. Can be programmed to be at CLKC/N for N = 1 to 16. The polarity of CLKO1 is programmable.																														
$\overline{\text{CLKO2}}$ / INTRPT	O		Available ONLY on Rev B (final) version of the part. Provides a complementary output or a second clock to simplify board routing. Polarity is programmable. It can also be programmed as an interrupt from one or more channels for a sequenced read (FIFO-like) mode. See register GWA = 0000h, bit 13.																														

Pin Descriptions (Continued)

NAME	TYPE	INTERNAL PULL-UP/DOWN	DESCRIPTION
FSYNCA	O		Frame Synchronization output signal for bus Aout(15:0).
FSYNCB	O		Frame Synchronization output signal for bus Bout(15:0).
FSYNCC	O		Frame Synchronization output signal for bus Cout(15:0).
FSYNCD	O		Frame Synchronization output signal for bus Dout(15:0).
$\overline{\text{OE}}\text{A}$	I	PULL UP	Output three-state enable for Parallel Data Output bus A. Active low.
$\overline{\text{OE}}\text{B}$	I	PULL UP	Output three-state enable for Parallel Data Output bus B. Active low.
$\overline{\text{OE}}\text{C}$	I	PULL UP	Output three-state enable for Parallel Data Output bus C. Active low.
$\overline{\text{OE}}\text{D}$	I	PULL UP	Output three-state enable for Parallel Data Output bus D. Active low.
MICROPROCESSOR INTERFACE			
P(15:0)	I/O		Microprocessor Interface Data bus. See <i>Microprocessor Interface Section</i> . P15 is the MSB.
ADD(2:0)	I		Microprocessor Interface Address bus. ADD2 is the MSB. See <i>Microprocessor Interface Section</i> .
$\overline{\text{WR}}$ or DSTRB	I		Microprocessor Interface Write or Data Strobe Signal. When the Microprocessor Interface Mode Control ($\mu\text{P MODE}$) is low, data transfers (from P(15:0) to the internal write holding register) occur on the low to high transition of $\overline{\text{WR}}$ when $\overline{\text{CE}}$ is asserted (low). When the $\mu\text{P MODE}$ control is high this input functions as a data strobe $\overline{\text{DSTRB}}$ control. In this mode with $\overline{\text{RD}}/\overline{\text{WR}}$ low, data transfers (from P(15:0) to the internal write holding register) occur on the low to high transition of $\overline{\text{DSTRB}}$. With $\overline{\text{RD}}/\overline{\text{WR}}$ high the data from the address specified is placed on P(15:0) when $\overline{\text{DSTRB}}$ is low. See the <i>Microprocessor Interface Section</i> .
$\overline{\text{RD}}$ or RD/WR	I		Microprocessor Interface Read or Read/Write Signal. When the Microprocessor Interface Mode Control ($\mu\text{P MODE}$) is low, the data from the address specified is placed on P(15:0) when $\overline{\text{RD}}$ is asserted (low) and $\overline{\text{CE}}$ is asserted (low). When the $\mu\text{P MODE}$ control is high this input functions as a Read/Write control input. Data is read from P(15:0) when $\overline{\text{RD}}/\overline{\text{WR}}$ high or written to the appropriate register when low. See the <i>Microprocessor Interface Section</i> .
$\mu\text{P MODE}$	I	PULL DOWN	Microprocessor Interface Mode Control. This pin is used to select the Read/Write mode for the Microprocessor Interface. When 0, $\overline{\text{RD}}$ and $\overline{\text{WR}}$, when 1, $\overline{\text{DSTROBE}}$ and $\overline{\text{RD}}/\overline{\text{WR}}$. When $\mu\text{P MODE}$ is 0, the microprocessor interface consists of separate $\overline{\text{RD}}$ and $\overline{\text{WR}}$ strobes; when $\mu\text{P MODE}$ is 1, the interface consists of a $\overline{\text{RD}}/\overline{\text{WR}}$ control and a single data strobe. See the <i>Microprocessor Interface Section</i> .
$\overline{\text{CE}}$	I		Microprocessor Interface Chip Select. Active low. This pin has the same timing requirements as the address pins.

Functional Description

The ISL5416 is a four channel digital receiver integrated circuit offering exceptional dynamic range and flexibility. Each of the four channels consists of a front-end NCO, digital mixer, CIC-filter, two FIR filters, AGC, Interpolation Half Band Filter and Re-sampling Filter. The parameters for the four channels are independently programmable.

There are four 17-bit parallel data input busses (Ain(16:0), Bin(16:0), Cin(16:0) and Din(16:0)). The ISL5416 supports both fixed and floating point parallel data input modes. The floating point modes support gain ranging A/D converters or A/D converter and RF/IF Attenuators or VGAs. Gated or interpolated data input modes are supported. Each input can be connected to any or all of the internal signal processing channels, Channels 0, 1, 2 and 3. The four channels share a common processing clock (CLKC). Four input clocks are provided to allow for clock skew between input sources. Each input has a Range Control circuits to monitor the signal level on the parallel data busses and to control the gain prior to the A/D converters. A 16-bit bus (Eout(15:0)) is provided to control the external VGA/RF Attenuators.

Each front end NCO/digital mixer/CIC filter section includes a quadrature numerically controlled oscillator (NCO), digital mixer, barrel shifter and a cascaded-integrator-comb filter (CIC). The NCO has a 32-bit frequency control word. The SFDR of the NCO is >110dB. The barrel shifter provides a gain of between 2^{45} and 4 to compensate for the gain in the CIC. The CIC filter order is programmable from 1 to 5 and the CIC decimation factor can be programmed from 2 to 512 for 5th order, 2048 for 4th order, 32768 for 3rd order, or 65536 for 1st or 2nd order filters. The CIC filter can also be bypassed.

Each channel back end section includes two FIR filters, an AGC, Interpolation Half Band Filter and Resampler. The first FIR filter can have up to 32 taps and the second can have up to 64 taps. The 32-tap filter calculates 4 taps per clock, while the 64-tap filter calculates 8 taps per clock. The coefficients for the programmable digital filters are 20 bits wide. Each FIR filter can be bypassed. The AGC section can provide up to 96dB of either fixed or automatic gain control. For automatic gain control, two settling modes and two sets of loop gains are provided. Separate attack and decay slew rates are provided for each loop gain. Programmable limits allow the user to specify a gain range less than 96dB.

A fixed coefficient interpolate-by-2 Half Band Filter and a non-integer resampling filter follow the AGC. Coefficients for the resampling filter are provided in ROM.

Four 16-bit parallel data outputs (Aout(15:0), Bout(15:0), Cout(15:0) and Dout(15:0)) are provided. The output of each channel can be routed to any of the output buses. Outputs from more than one channel can be multiplexed through a common output if the channels are synchronized. Dout(15:0) can alternately be used as four serial output pairs. A common output clock (CLKO1) is used for the parallel output buses. A

second clock output pin (CLKO2/ $\overline{\text{INTRPT}}$) is provided to simplify board routing or to allow a complementary output clocks.

The ISL5416 is programmed through a 16-bit microprocessor interface. The output data can also be read via the microprocessor interface. The ISL5416 is specified to operate to a maximum clock rate of 95 MSPS over the industrial temperature range (-40°C to 85°C). The I/O power supply voltage range is $3.3V \pm 0.165V$ while the core power supply voltage is $1.8V \pm 0.09V$.

Input Select/Format Block

CLOCKING

The channel processing and output timing is clocked with the rising edge of CLKC. Each input bus can be clocked with the rising or falling edge of its own clock or with the rising or falling edge of CLKC. The frequency of all the clocks must be the same, but providing separate clocks allows the inputs from multiple A/D converters to have a small amount of skew.

INPUT FORMAT

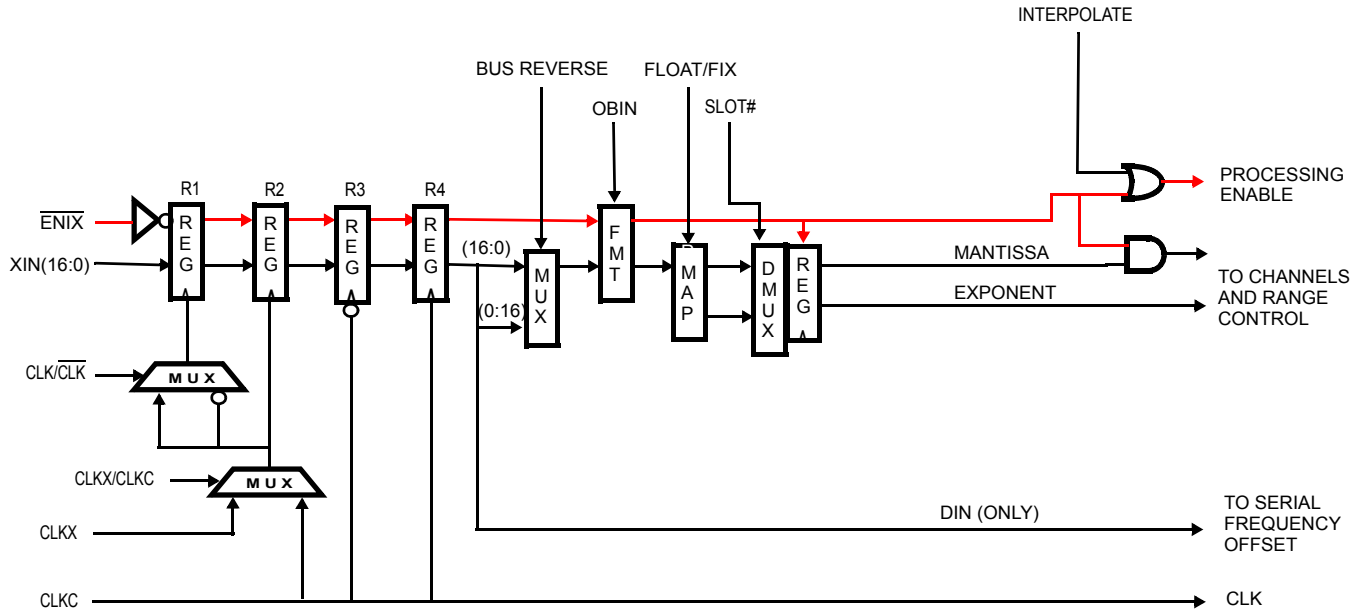
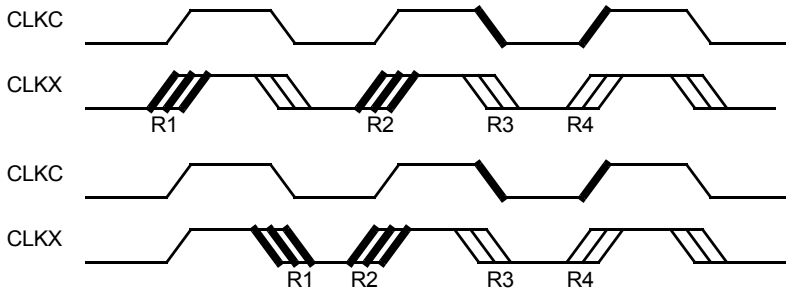
The inputs can be fixed point or floating point with mantissa/exponents sizes of 14/3, 15/2, or 16/1. The exponent inputs are added to the exponent from the internal range control circuits, so if the range control circuits are used, the exponent pins are typically grounded and/or disabled via software in IWA = 0*10h, bit 3. The input format may be twos complement or offset binary format in either fixed or floating point modes (IWA = 0*00h).

GATED/INTERPOLATED MODES

For input sample rates at sub-multiples of the clock rate, gated and interpolated input modes are provided. Each input channel has an input enable ($\overline{\text{ENIx}}$, x = A, B, C or D). In the gated mode, one input sample is processed per clock that the $\overline{\text{ENIx}}$ signal is asserted (low). Processing is disabled when $\overline{\text{ENIx}}$ is high. The $\overline{\text{ENIx}}$ signal is pipelined through the part to minimize delay (latency). In the interpolated mode, the input is zeroed when the $\overline{\text{ENIx}}$ signal is high, but processing inside the part continues. This mode inserts zeros between the data samples, interpolating the input data stream up to the clock rate. The spacing between $\overline{\text{ENIx}}$ signals must be constant in the interpolated mode.

MULTIPLEXED INPUT MODE

Each input section can select one channel from a multiplexed data stream of up to 8 channels. The input enable is delayed by 0 to 7 clock cycles to enable a selection register. The register following the selection register is enabled by the non-delayed input enable to realign the processing of the channels. The one-clock-wide input enable must align with the data for the first channel. The desired channel is then selected by programming the delay. A delay of zero selects the first channel, a delay of 1 selects the second, etc. Each input section selects only one channel of the multiplexed stream, so a separate input bus must be used for each channel of the multiplexed data stream.



NOTE: To simplify the board routing, each of the four input data busses can be reversed, MSB for LSB (see IWA = 0*00h, bit 4)

FIGURE 1. INPUT SECTION

SYNClNX Use

SYNClNX main purpose is as a processing start-up signal after a reset to align the start of processing of multiple channels or chips. This assures that the carrier phases have a known relationship and that the output timing aligns for multiplexing outputs. It can also be used after start-up as a system timing synchronization signal. Two SYNClNX signals are provided so that one can be used as a regularly occurring signal (such as at time slot boundaries) and one as an infrequent signal (such as at start up or at 1 pps). If more than one air interface standard is processing in one part, one SYNClNX signal could be used for the slot timing for each standard.

Register updates from a processor write are synchronized to the clock, so that the register updates in multiple channels of

the same part are time aligned. However, when synchronizing multiple parts the processor will need knowledge of the SYNClNX timing so that enabling the SYNClNX in multiple parts occurs between SYNClNX pulses. Alternatively, SYNClN1 could be used as a regularly occurring SYNCl signal and SYNClN2 could be a gated version. The channel processing control register might only be updated on SYNClN2 and the other SYNCl functions would respond to SYNClN1.

VGA/RF Attenuator (A/D Range Control)

The range control section monitors the output of the A/D and adjusts the RF/IF gain to maintain a desired A/D output range. The gain adjustments are in 6 dB steps. The levels, adjustment rates, and gain to bit mapping are programmable.

The range control section uses three programmable thresholds. Two thresholds, an upper and a lower threshold, are compared against the average magnitude of the A/D output. The range control adjusts the gain to keep the average A/D output between the upper and lower thresholds. If the average is above the upper threshold, an internal attenuator control register is increased by a programmable amount. If the average is below the lower threshold, the gain attenuator control register is decreased by a separate programmed amount. The number of samples averaged for each decision is programmable. The adjustments to the attenuator control register can be less than 6 dB to further filter the inputs. Only the three MSBs of the attenuator control register are used to control the RF/IF gain, and these are weighted as 6, 12, 24 dB steps.

The third threshold, an immediate threshold, is compared against the magnitude of each A/D sample. If the magnitude of any A/D sample exceeds the threshold, the attenuator control register is immediately increased by the amount programmed for the immediate threshold. Because there will be some time delay from a register change until the effect of the change is seen at the A/D, the immediate threshold is disabled for a programmable number of clock cycles after it has been triggered.

To maximize the input sensitivity the range control also includes a programmable bias. If the average signal is between the upper and lower threshold, the bias value is

added from the attenuator control register. This bias removes attenuation when it is no longer needed to avoid missing small signals due to high input noise figure.

Four counters control the amount of time that the input is averaged and align the adjustments to time slot boundaries. One counts out the time slot period. If desired, this counter can be reset by a SYNCInX signal to align its count to the system timing. A second counter provides a programmable delay from the start of the first counter's period to the start of the integration period. This compensates for system delays or allows the adjustments to be made over a certain portion of the time slot. The third counter sets the integration period for averaging the input samples for the upper and lower threshold decisions. The fourth counter controls the number of integration periods per time slot. See Figure 2 for a block diagram. Note that the counters are ignored for the immediate threshold decisions.

The user can program a separate code for output on the EOUT bus for each of the eight possible states of the three MSBs of the attenuator control register. These codes can be up to 8 bits, but if four gain control sections are used, only four bits are available for each gain control section. The mapping of the gain control bits to EOUT bits is done in GWA = 0001h and the codes are programmed in IWA = 0*17h and 0*18h.

The three MSBs of the attenuator control register can be routed internally to the channels to be used as the floating-point exponents. This adds gain in 6 dB steps to compensate for the 6 dB steps of RF attenuator. The MSBs can be added to the input exponent bits if desired. There is a programmable delay from the attenuator control register to the channel input to compensate for RF/IF filter group delay and A/D and ISL5416 pipeline delays.

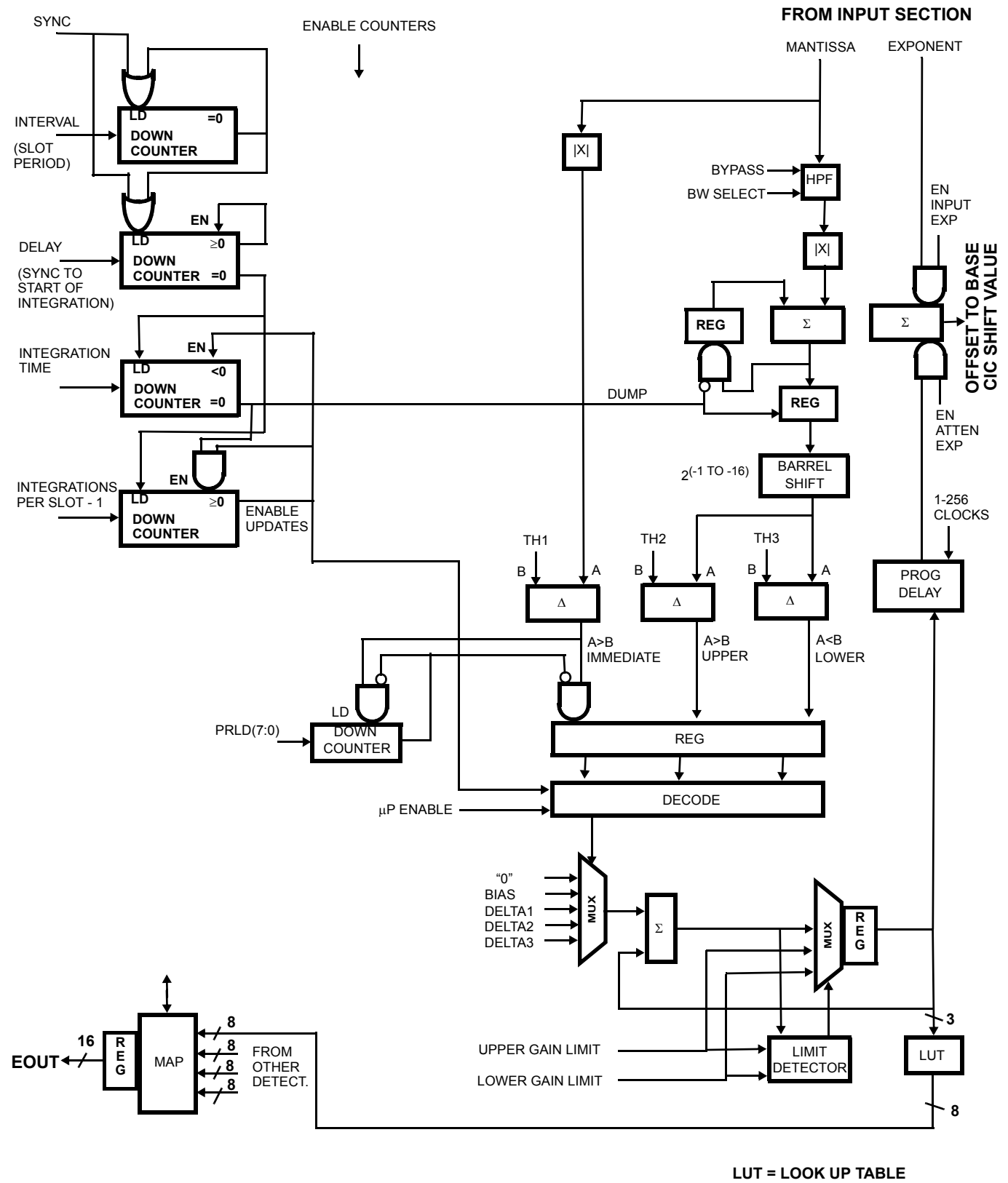
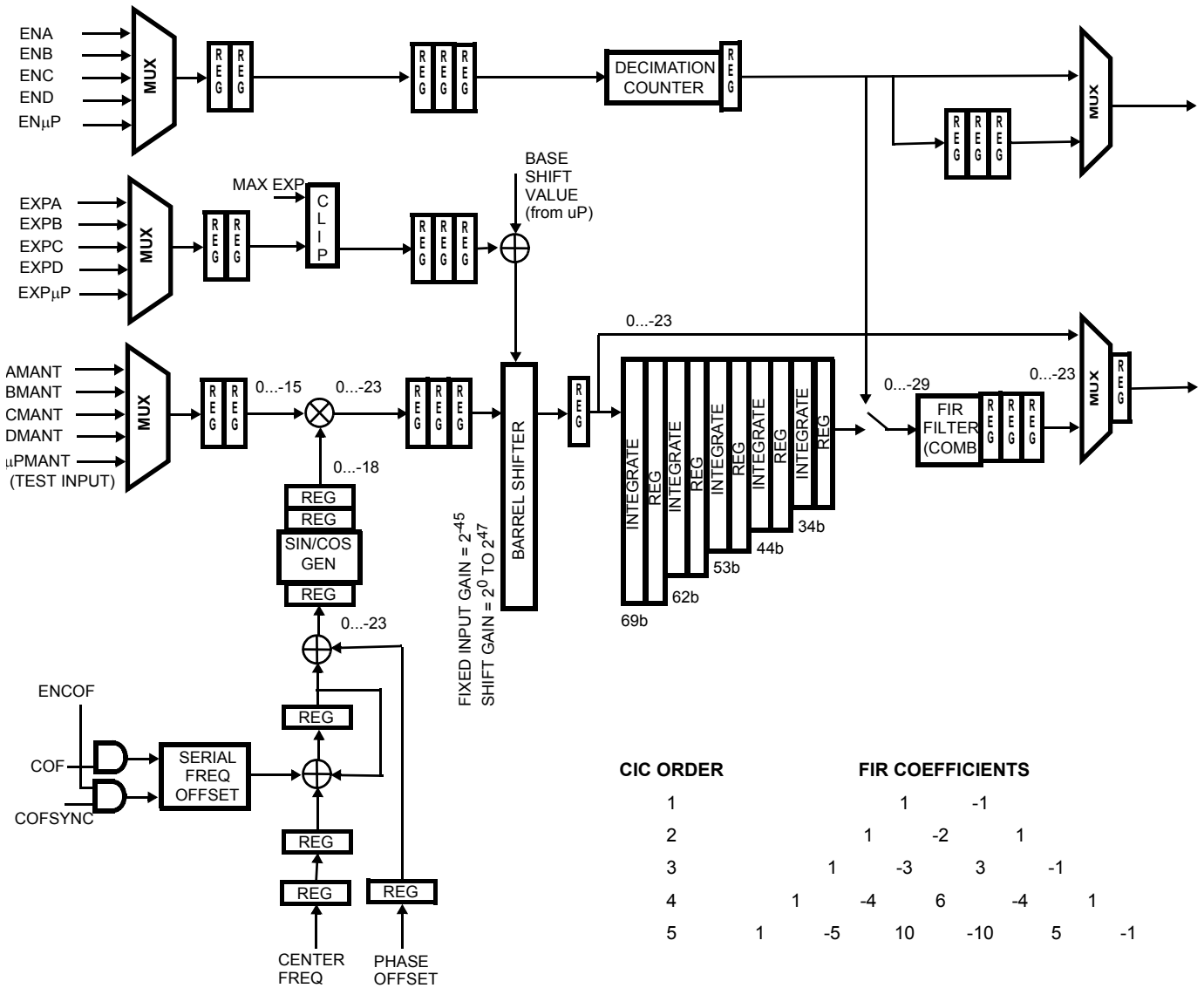


FIGURE 2. RANGE CONTROL BLOCK DIAGRAM

NCO/Mixer

After the input select/format section, the samples are multiplied by quadrature sine wave samples from the carrier NCO. The NCO has a 32-bit frequency control, providing sub-hertz resolution at the maximum clock rate. The quadrature sinusoids have exceptional purity. The purity of the NCO should not be the determining factor for the receiver dynamic range performance (A typical spectrum plot is shown in Figure 20). The phase quantization to the sine/cosine generator is 24 bits and the amplitude quantization is 19 bits.

The carrier NCO center frequency is loaded via the uP bus. The center frequency control is double buffered -- the input is loaded into a holding register via the uP interface. The data is then transferred from the holding register to the active register by a write to a special address or by a SYNCInX signal, if enabled in IWA = *000h. To synchronize multiple channels, the carrier NCO phase accumulator feedback can be zeroed on loading to restart all of the NCOs at the same phase (see IWA = *005h). The phase of the NCO can be offset by programming IWA = *003h. The phase offset is not double buffered.



NOTE:
 BUS NUMBERING SUCH AS 0...-23 INDICATES BIT WEIGHTS
 SUCH AS 2⁰ ... 2⁻²³

FIGURE 3. NCO, MIXER AND CIC BLOCK DIAGRAM

TABLE 1. PN GENERATOR BIT WEIGHTING

		2 ^N																						
SIGNAL	0	-1	-2	-3	-4	-5	-6	-7	-8	-9	-10	-11	-12	-13	-14	-15	-16	-17	-18	-19	-20	-21	-22	-23
PN	S	S	S	X	X	X	X	X	X	X	X	X	X	X	X	X	X	X	X					
GAIN REG				X	X	X	X	X	X	X	X	X	X	X	X	X	X	X	X					

PN Generator

After the mixers, a PN (pseudonoise) signal can be added to the data. This feature is provided for test and to digitally reduce the input sensitivity and adjust the receiver range (sensitivity). The effect is the same as increasing the noise figure of the receiver, reducing its sensitivity and overall dynamic range. The one bit PN data is scaled by a 16 bit programmable scale factor. The overall range for the PN is 0 to 1/4 full scale. A gain of 0 disables the PN input. The bit weighting for the gain is shown in table 1.

The minimum, non-zero, PN value is $1/2^{18}$ of full scale (-108 dBFS) on each axis (-105 dBFS total).

CIC Filter

Next, the signal is filtered by a cascaded integrator/comb (CIC) filter. A CIC filter is an efficient architecture for decimation filtering. The power or magnitude squared frequency response of the CIC filter is given by:

$$P(f) = \left(\frac{\sin(\pi M f)}{\sin\left(\frac{\pi f}{R}\right)} \right)^{2N}$$

where

M = Number of delays (1 for the ISL5416)

N = Number of stages

and R = Decimation factor.

The passband frequency response for 1st (N=1) through 5th (N=5) order CIC filters is plotted in Figure 20. The frequency axis is normalized to f_s/R , making $f_s/R = 1$ the CIC output sample rate. Figure 19B shows the frequency response for a 5th order filter but extends the frequency axis to $f_s/R = 3$ (3 times the CIC output sample rate) to show alias rejection for the out-of-band signals. Figure 19A provides the amplitude of the first (strongest) alias as a function of the signal frequency or bandwidth from DC. For example, with a 5th order CIC and $f_s/R = 0.125$ (signal frequency is 1/8 the CIC output rate) Figure 19A shows a first alias level of about -87 dB. Figure 19A is also listed in table form in Table 84.

The CIC filter order is programmable from 0 to 5. The CIC may be bypassed by setting the CIC IWA = *001h bit 15.

A barrel shifter precedes the CIC filter to compensate for the large gain range of the CIC. As the barrel shifter only adjusts in 6 dB steps the total CIC/barrel shifter gain ranges from 0.5 to 1.0.

The barrel shifter is also used to convert floating point input data to fixed point for processing. The exponent bits from the input and/or range control are added to the shift code programmed by the user to expand the input range. The shift code that the user programs must take the expected exponent range into account i.e. the computed shift control must be reduced by the maximum exponent value. Also note that since the exponent shifting reduces the effective size of the integrators, the maximum decimation factor is reduced (See Tables 2-4).

The integrator bit widths are 69, 62, 53, 44, and 34 for the 1st through 5th stages, respectively, while the comb bit widths are all 24. The integrators are sized for decimation factors of up to 512 with 5 stages, 2048 with 4 stages, 32768 with 3 stages, and 65536 with 1 or 2 stages. Higher decimations in the CIC should be avoided as they will cause integrator overflow. In the ISL5416, the integrators are slightly oversized to reduce the quantization noise at each stage.

A CIC filter has a gain of R^N , where R is the decimation factor and N is the number of stages. Because the CIC filter gain can become very large with decimation, an attenuator is provided ahead of the CIC to prevent overflow. The 24 bits of mixer output are placed on the low 24 bits of a 69 bit bus (width of the first CIC integrator) for a gain of 2^{-45} . A 48 bit barrel shifter then provides a gain of 2^0 to 2^{47} inclusive before passing the data onto the CIC. The overall gain in the pre-CIC attenuator can therefore be programmed to be any one of 48 values from 2^{-45} to 4, inclusive (see IWA = *005h, bits 25:20). This shift factor is adjusted to keep the total barrel shifter and CIC filter between 0.5 and 1.0. The equation which should be used to compute the necessary shift factor is:

$$\text{BASE SHIFT} = \text{MAX}(0, 45 - \text{CEIL}(\text{LOG}_2(R^N)) - \text{MAXEXP})$$

MAXEXP = sum of the maximum exponent range from a floating point input and the range control.

CIC barrel shifts of greater than 45 will cause MSB bits to be lost. Most of the floating point modes on the ISL5416 make use of the CIC barrel shifter for gain. This limits the maximum usable decimation. See floating point input mode section for details.

If the CIC is bypassed, BASE SHIFT = 45 - MAXEXP.

MAXEXP = sum of the maximum exponent range from a floating point input and the range control.

TABLE 2. MAXIMUM ALLOWED CIC DECIMATION VS. NUMBER OF STAGES AND MAXIMUM EXPONENT

CIC STAGES	MAXIMUM FLOATING POINT OR RANGE CONTROL EXPONENT							
	0	1	2	3	4	5	6	7
5	512	445	388	337	294	256	222	194
4	2435	2048	1722	1448	1217	1024	861	724
3	32768	26007	20642	16384	13003	10321	8192	6501
2	65536	65536	65536	65536	65536	65536	65536	65536
1	65536	65536	65536	65536	65536	65536	65536	65536

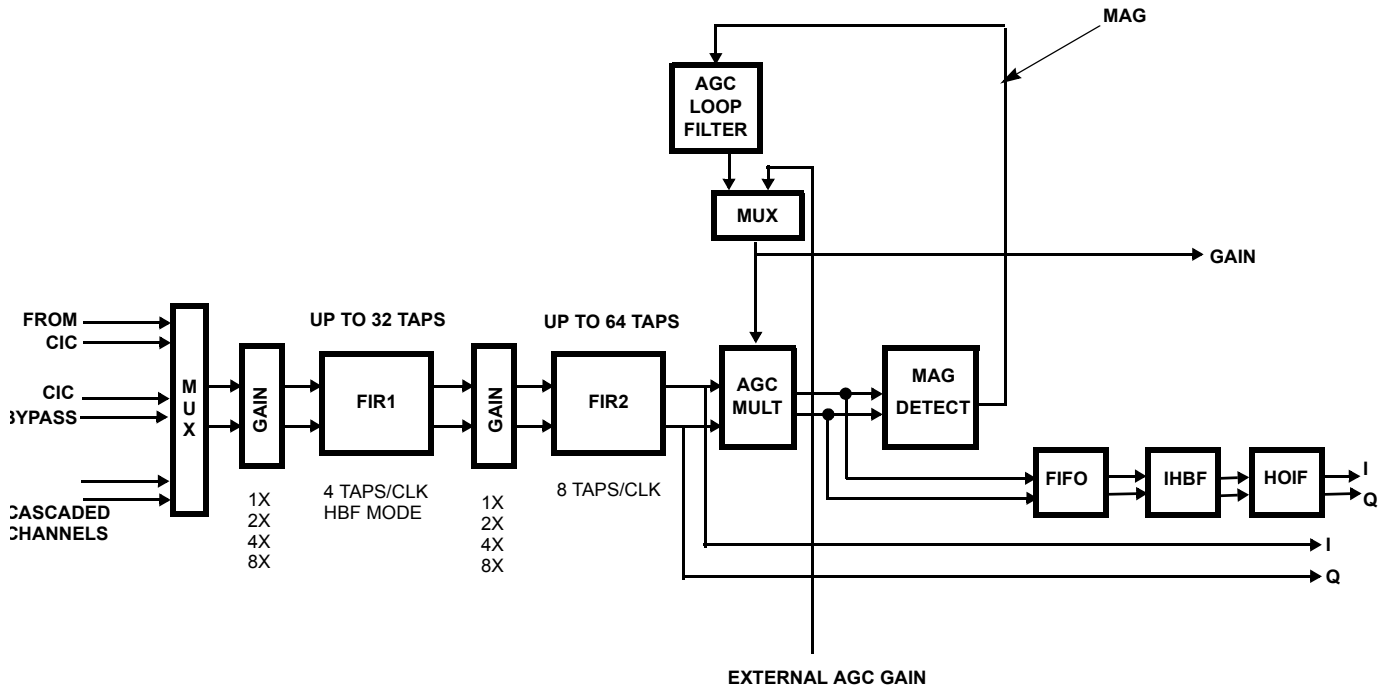
TABLE 3. MAXIMUM CIC DECIMATION VERSUS NUMBER OF STAGES AND MAXIMUM EXPONENT TO MAINTAIN AT LEAST 24 BITS OF DYNAMIC RANGE AT THE CIC OUTPUT

CIC STAGES	MAXIMUM FLOATING POINT OR RANGE CONTROL EXPONENT							
	0	1	2	3	4	5	6	7
5	512	445	256	128	64	32	16	8
4	2435	2048	1722	1448	1217	1024	861	724
3	32768	26007	20642	16384	13003	10321	8192	6501
2	65536	65536	65536	65536	65536	65536	65536	65536
1	65536	65536	65536	65536	65536	65536	65536	65536

TABLE 4. MAXIMUM CIC DECIMATION VERSUS NUMBER OF STAGES AND MAXIMUM EXPONENT TO MAINTAIN AT LEAST 20 BITS OF DYNAMIC RANGE AT THE CIC OUTPUT

CIC STAGES	MAXIMUM FLOATING POINT OR RANGE CONTROL EXPONENT							
	0	1	2	3	4	5	6	7
5	512	445	388	337	294	256	222	128
4	2435	2048	1722	1448	1217	1024	861	724
3	32768	26007	20642	16384	13003	10321	8192	6501
2	65536	65536	65536	65536	65536	65536	65536	65536
1	65536	65536	65536	65536	65536	65536	65536	65536

Back-end Routing



FIR Filter Blocks

There are two programmable FIR filters in each channel. The main function of the first filter, FIR1, is to reduce the CIC output sample rate and maximize the efficiency of the second filter, FIR2. FIR2 provides the final filtering for the channel of interest. FIR1 can compute up to 32 taps and has programmable 20-bit coefficients, 20-bit data inputs, and 24-bit outputs. FIR2 can compute up to 64 taps and has programmable 20-bit coefficients, 20-bit input data, and 24-bit output data. FIR1 can compute 4 filter taps per clock and FIR2 can compute 8. All of the available taps can be utilized if the overall decimation through the CIC and FIRs is 8 or more. The impulse response of each FIR can be symmetric or asymmetric. The decimation for the each FIR is programmable from 1 to 8.

To maximize dynamic range, the output bit width of the CIC and each FIR is 24 bits. A programmable gain stage is provided before each FIR to compensate for losses in preceding stages and round to the 20-bit FIR input bit width. Gains of 1, 2, 4, or 8 can be programmed. Saturation logic is provided to prevent overflow.

FIR1 includes a half-band filter mode where a fixed center coefficient of 0.5 is added and the zero valued half-band coefficients are skipped in the computation. This allows FIR1 to compute a 15-tap half-band filter in two clock cycles or a 31-tap half-band filter in four clock cycles.

NOTE:

When loading halfband coefficients, the coefficients must be centered around the fixed center coefficient, e.g. if there are 23 taps, three compute clocks are required, there are 11 on either side of the center and multiplier 1 computes C0, C2, C4, multiplier 2 C6, C8, C10, etc.

If there are 19 coefficients, multiplier 2 computes C4, C6, C8 and multiplier 1 computes Z, C0, and C2, i.e. an extra zero valued coefficient must be added at each end of the coefficient set to center the coefficients at the fixed coefficient.

The filters will have unity gain if the sum of all coefficients is equal to 1 for coefficient bit weighting $2^0 \dots 2^{-19}$

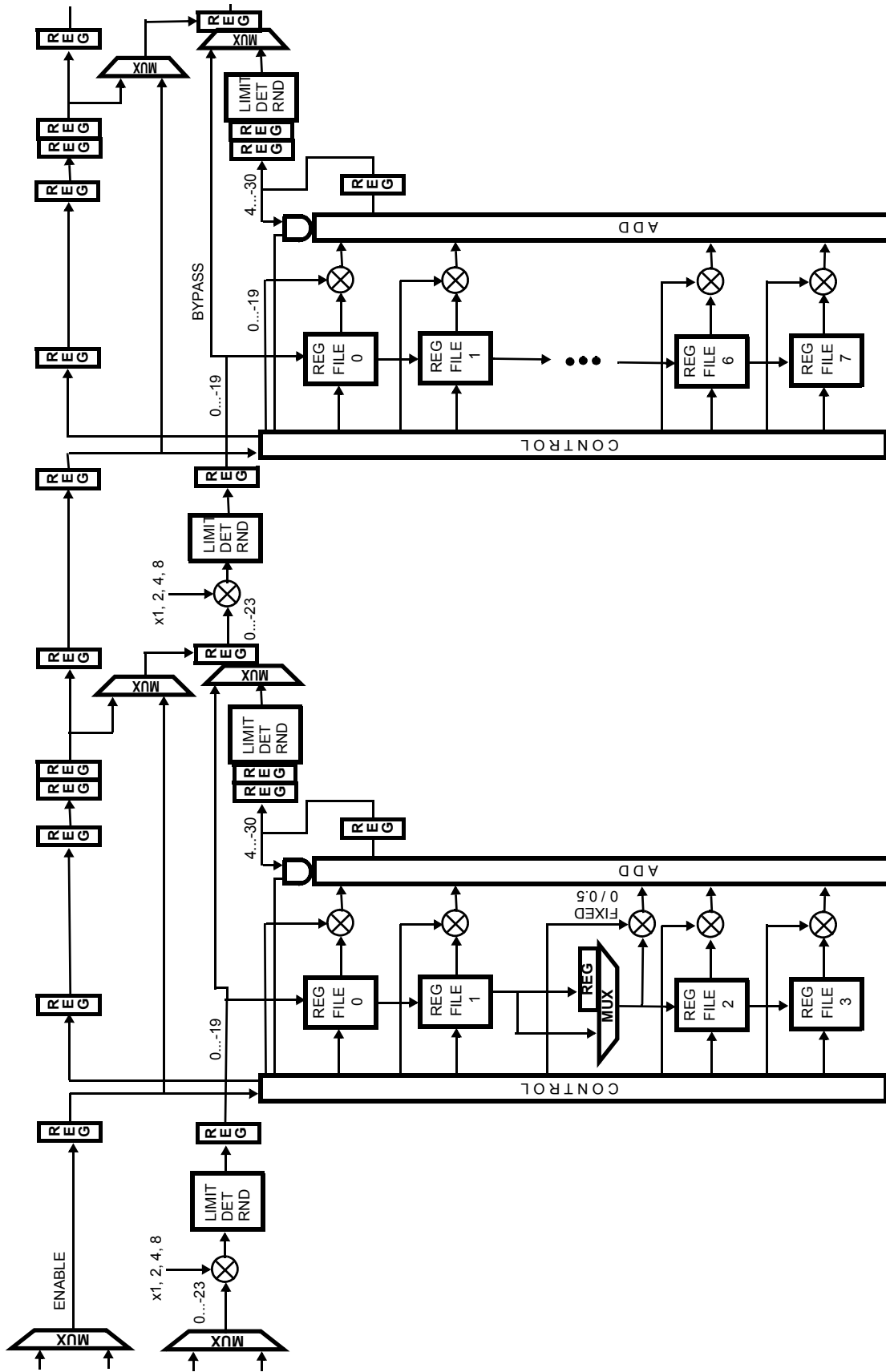


FIGURE 4. FIR1 AND FIR2 BLOCK DIAGRAMS

AGC

The automatic gain control (AGC) section adds gain to maintain the output signal level at a programmed level. The AGC moderates signal level variation at the output of the part and reduces the number of bits that must be carried in any post processing. In the ISL5416, the AGC follows the channel filtering. The gains through the NCO, mixer, and FIR filter sections are fixed gains and do not induce AM distortion before the large interfering signals can be filtered out. If large interfering signals are not removed by the filtering prior to the AGC, the gain adjustments by the AGC can AM modulate the large signals and cause AM sidebands to fall inside the frequency band of interest.

A block diagram of the AGC is included in figure 6. The AGC consists of a forward gain path and a loop filter path. In the forward gain path, the I/Q samples are scaled by the AGC forward gain value provided by the loop filter. The forward path gain is divided between a barrel shifter and a multiplier. The overall forward path gain range is 0 to 96.33 dB. The barrel shifter provides 0 to 90 dB of gain in steps of 6 dB. The multiplier provides linear gain between 1.0 and 2.0. Saturation is provided if there is overflow. The AGC only adds gain. The loop filter path computes the gain error, filters it, compares it to gain limits, and provides it to the forward gain path, to the uP interface, and to the output section. In the loop filter path the gain error is computed by first computing the magnitude of the forward path output. The magnitude is then subtracted from a programmable threshold or set point. The resulting error value is then scaled by a programmable loop gain and integrated and provided to the forward path. Programmable limits on the forward gain allow the user to restrict the gain to a smaller range than the 96 dB provided.

The forward gain control word and programmable gain limits are floating-point numbers consisting of a four-bit exponent that controls the barrel shifter and a mantissa portion that controls the multiplier. The barrel shifter gain is 2^{EXP} . The multiplier gain is 16 bits, but the two MSBs are fixed at "01" and are not included in the gain control word. The mantissa MSB is therefore weighted as 0.5 and the mantissa gain is $1.0 + \text{MANT}$. The total AGC gain in dB is then:

$$20 \cdot \log_{10}(2^{\text{EXP}} * (1.0 + \text{MANT})).$$

The AGC range is then 0 to 96.33 dB for the EXP range of 0 to 15 and MANT range from 0 to 1. Plots of AGC gain versus the control word are provided in figures 5A and 5B.

The AGC gain word is available through the uP interface and as a real time output. The gain word is inversely proportional to the received signal strength in the channel. Signal strength in dB can be easily estimated by complementing the gain word and adding an offset equal to the fixed receive path gain in dB.

The AGC includes a set of counters to synchronize the AGC to system timing. The counters can be aligned to the SYNCInX signals if enabled in IWA *000h. One counter is programmed to

count modulo N clocks where N is the length of the time slot. This counter can be restarted with SYNCInX to align/re-align it with the slots. A second counter counts out a delay from the SYNCInX or counter-generated sync. This delays the AGC timing from the SYNCInX signal to compensate for filter group delay or other system delays. A third counter counts out an interval. The interval can be used to divide the slot into fast and slow update periods (timed mode) or into measurement and update periods (sampled mode). The counters can also be disabled and the AGC allowed to free run (continuous mode).

A programmable data delay can be inserted in the forward data path. The loop filter uses the samples into the delay for computing the new forward gain. The forward gain is then applied to the samples coming out of the delay. The gain applied to the output can be continuously updated or can be updated under the control of the counters. When updated continuously, the delay causes the forward gain to be based on samples before and after the delayed sample. This moderates large signal variations and minimizes the amount of time that the forward path may be in saturation or be at a small level.

The sampled mode is used for burst type signals where the gain adjustment is made during the first part of the burst and then held for the duration of the burst. The programmable delay can be set so that the first samples of the burst are exiting the delay when the gain is updated. In this mode, the gain may have large instantaneous changes, so proper timing alignment is very important.

In the timed mode, loop filter continuously updates the forward gain but uses one set of loop gains during part of the burst and another set for the rest of the burst. This allows the time slot to be divided into adapt/hold or fast/slow intervals.

The maximum throughput of the AGC depends on the mode. In the continuous (counters disabled) and timed modes without delay, the minimum spacing between samples into the AGC is 2 clocks. When the delay is enabled, this increases to 4. In the sampled mode, the delay is always enabled and the minimum spacing is 4. The minimum spacing is 1 when the AGC is bypassed.

The AGC loop feedback path includes a magnitude computation, an error detector, error scaling (loop gain), and a loop filter. The magnitude computation in the loop filter is a multi-pass operation with one pass computed per clock cycle. The accuracy of the computation depends on the number of passes. The minimum number of clocks between samples into the AGC is 2. There is a gain in the magnitude computation that must be taken into account when programming the AGC set point. This gain also depends on the number of passes in

the computation. A listing the accuracy and gain is provided below.

TABLE 5. AGC MAGNITUDE COMPUTATION ACCURACY AND GAIN

PASSES	ERROR +/- (dB)	GAIN
2	0.48	1.581
3	0.13	1.630
4	0.03	1.642
8	0.0001	1.647

With maximum gain and with full scale I and Q inputs equal to $\sim\pm 1.0$, the maximum output from the computation is $1.414 * 1.647 = 2.329$. The error detector subtracts the magnitude from the programmable AGC Threshold value. The AGC Threshold value is set in IWA register *009h and should be programmed to K times the desired magnitude of the I/Q where K is the gain of the magnitude computation.

Two adjustment/settling modes are provided in the ISL5416. In the mean settling mode, the loop adjusts the gain so that the average magnitude is equal to the programmed set point. In this mode, the error is scaled by the loop gain and integrated to compute the forward gain. The loop settles to the final value asymptotically because the size of the adjustment decreases as the error decreases. The initial settling from large errors is fast, but the final pull in is slower. After the loop has settled, the small adjustment size causes minimal AM distortion of the signal. The other settling mode is the median mode. In this mode, the sign of the error is used increase or decrease the gain by a fixed amount. The amount of the adjustment is programmed by the loop gain. The loop settles to the point where there are an equal number of samples above and below the set point. The loop settling is roughly linear in dB, but after the loop has settled, the step size remains the same, so the amount of AM distortion may be objectionable. The ISL5416 provides two programmable loop gains, each with a separate attack and decay settling. The micro-processor can control the loop gain, or the AGC counters can select the loop gain, so a large loop gain can be used for initial settling and a smaller one for tracking. The counters can also select the settling mode, so the median mode can be used at the beginning of each time slot and the mean mode used after the initial settling.

The AGC loop filter is an accumulator (integrator). The output of the accumulator is the forward gain word that controls the barrel shifter and multiplier, closing the loop. There are programmable limits on the accumulator range to minimize settling time by restricting the AGC to only that portion of the 96 dB range that is needed. The accumulator can be loaded by the microprocessor. The gain load is double buffered—the gain is first loaded into a holding register by the uP. The gain is then transferred from the holding register to the accumulator by a write to a special address location or by the SYNCInX if enabled in IWA *000. The AGC can be set to a fixed gain either by setting the both upper and lower gain limits to the desired

gain or by setting the loop gain to zero and programming the accumulator directly.

The bit weighting for the AGC loop is provided in Table 86.

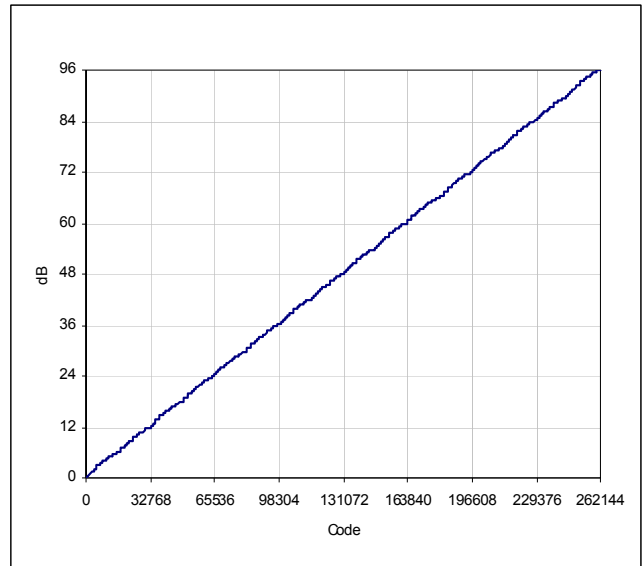


FIGURE 5A. ISL5416 AGC FORWARD GAIN RESPONSE

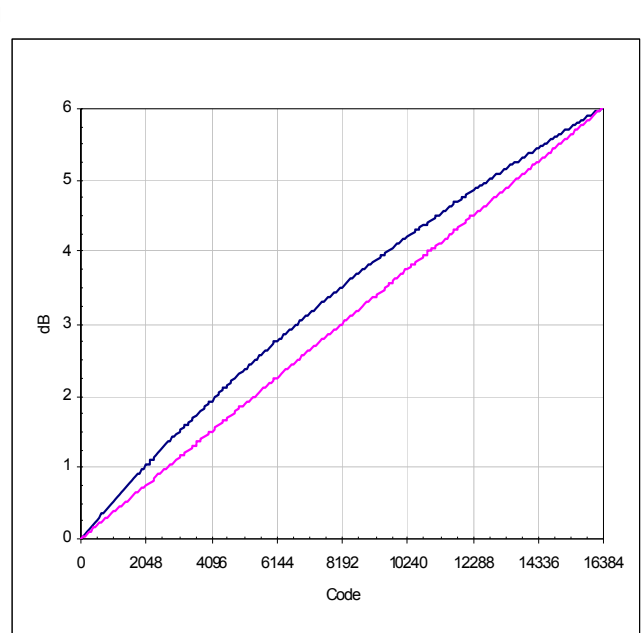
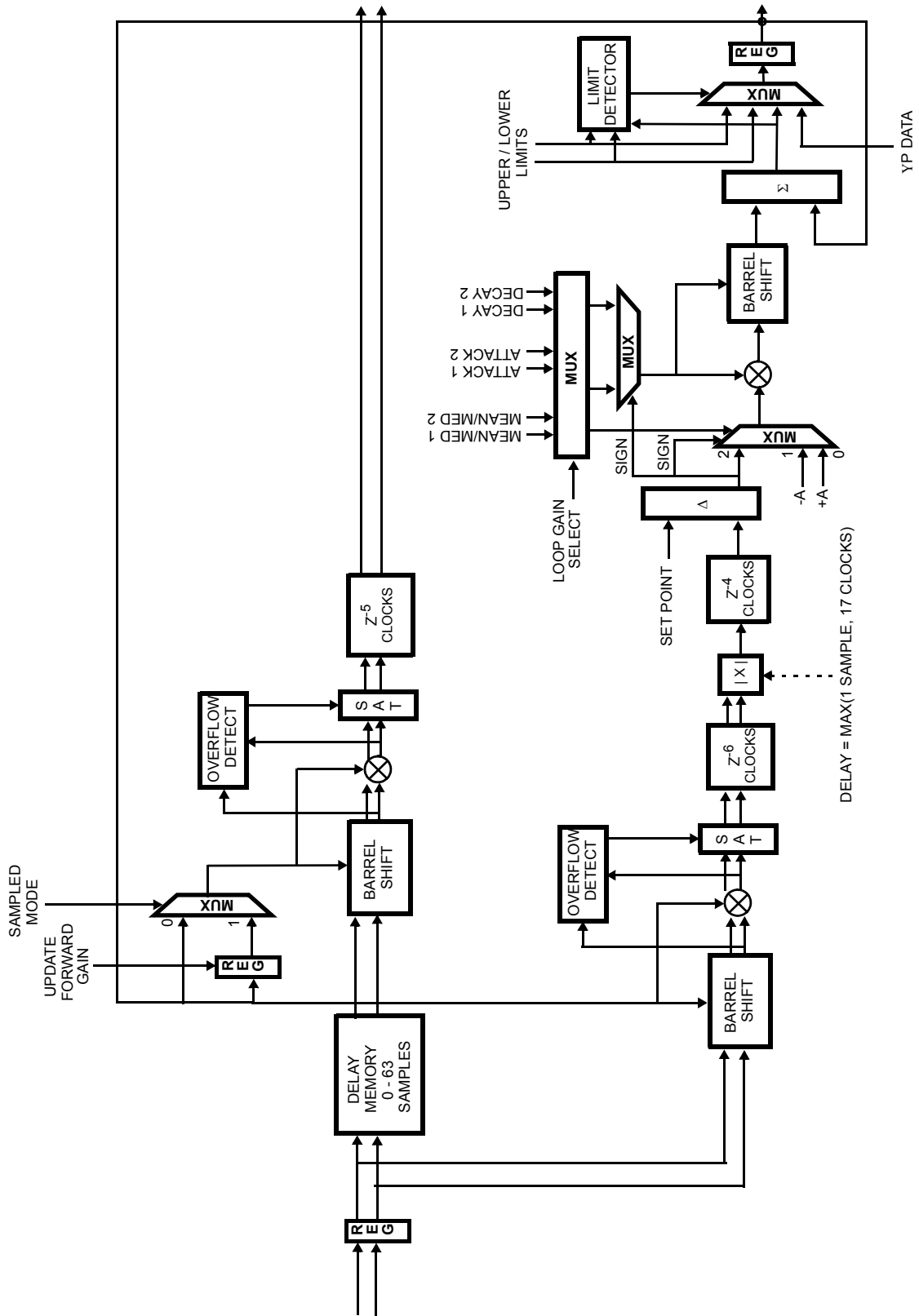


FIGURE 5B. ISL5416 AGC FORWARD GAIN RESPONSE MAGNIFIED VIEW (ACTUAL AND IDEAL LINEAR IN dB)



DELAY = MAX(1 SAMPLE, 17 CLOCKS)

FIGURE 6. AGC BLOCK DIAGRAM

Interpolation Half Band Filter / Re-sampling Filter

A rate change section follows the AGC. This section is used to resample the signal from FIR2 to increase the sample rate for finer time resolution and/or to resample the data to another sample spacing. This section consists of an interpolation half-band filter, an interpolating resampling filter, a decimation counter/sampler, a FIFO, a set of NCOs, and a "leap" counter. This processing stage allows the filtering in FIR2 to be done at the lowest sample rate that meets the Nyquist criteria and the data then resampled to the desired final sample rate. The output/input sample rate ratio can be almost any value from 0.125 to >4096. A block diagram is provided below in Figure 8.

The re-sampling filter (HOIF) can accept inputs at any rate up to its maximum output rate of one half the clock rate. Preceding the resampler is an interpolation halfband filter. This filter can be used to provide a fixed interpolation by 2 when the resampler is bypassed or, when used with the resampler, to increase the image-free dynamic range of the output. The IHBF can output at up to the clock rate if the resampling filter is bypassed and up to one half the clock rate if the resampling filter is enabled. Frequency response plots are provided below for the half-band and resampling filters. An example frequency response for a FIR2 response together with the half-band and resampling filters is also provided.

The resampling process produces images of the signal at multiples of the input sample rate. Large interfering signals must be removed from the spectrum with the CIC, FIR1, and FIR2 filters or the images created from them in the resampling process may cause problems. The level of the images created by resampling process has a fixed dBc level for a given set of filters and sampling ratio. As the signal level in the channel increases and decrease, the images levels will increase and decrease by the same amount. As the ratio of the FIR2 output sample rate to the band edge increases, the level, in dBc, of the images decreases.

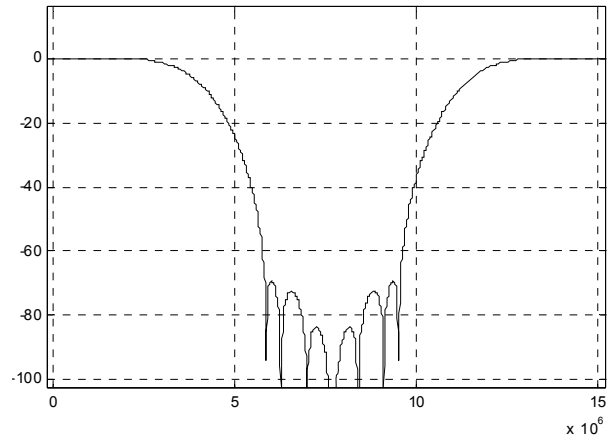


FIGURE 7A. INTERPOLATION HALF BAND RESPONSE

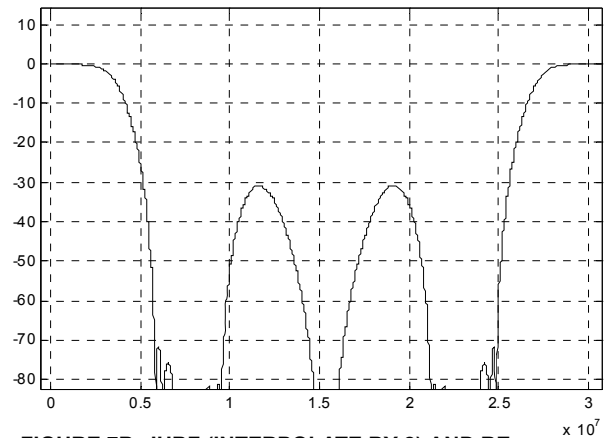


FIGURE 7B. IHBF (INTERPOLATE BY 2) AND RE-SAMPLER (INTERPOLATE BY 2)

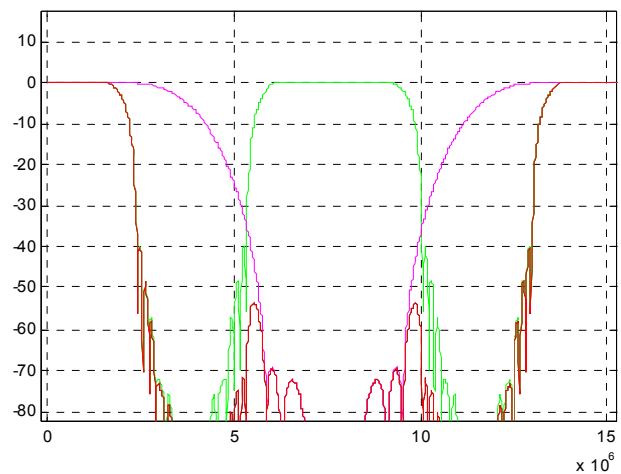


FIGURE 7C. INDIVIDUAL AND COMPOSITE RESPONSES (FIR2 OUTPUT AT 7.68 MHz WITH IHBF, INTERPOLATE BY 2)

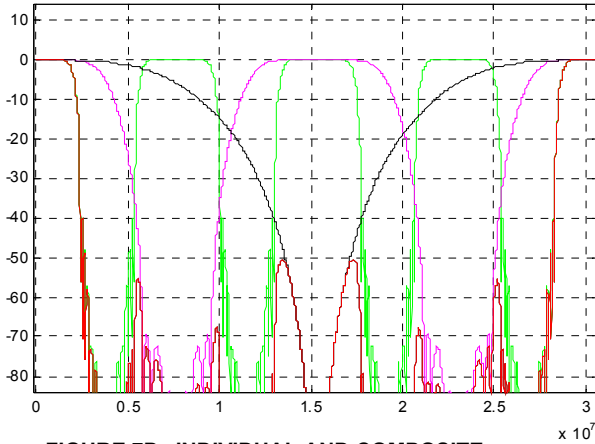


FIGURE 7D. INDIVIDUAL AND COMPOSITE RESPONSES (FIR2 OUTPUT AT 7.68 MHz WITH IHBF, INTERPOLATE BY 2 AND RE-SAMPLER, INTERPOLATE BY 2)

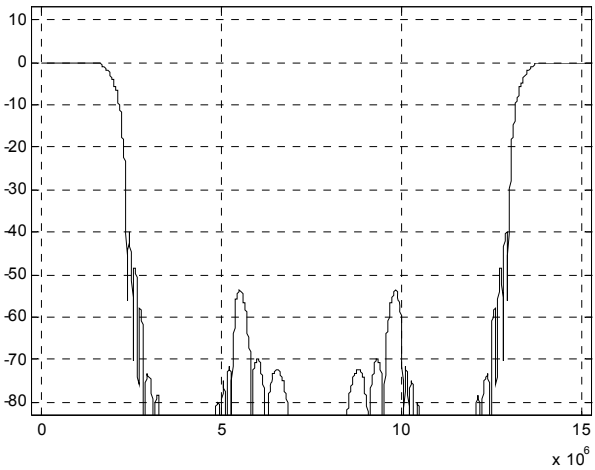


FIGURE 7E. FIR2 AND IHBF COMPOSITE RESPONSE

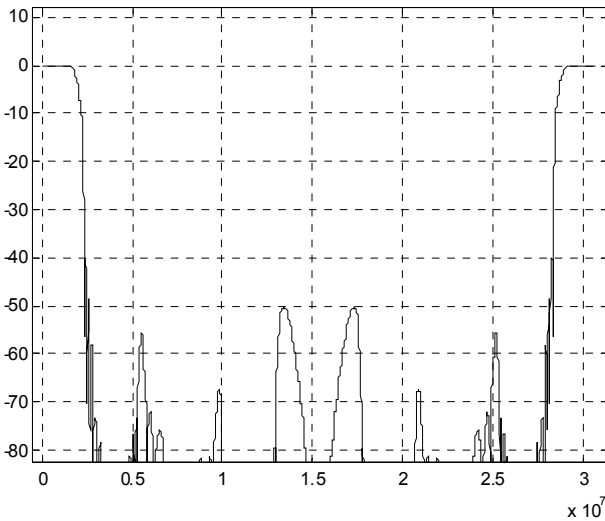


FIGURE 7F. FIR2, IHBF AND RESAMPLER COMPOSITE RESPONSE

Two NCOs and two counters set the sample rates through the rate change section. NCO1 sets the output sample rate of the resampling filter. NCO1 is 48 bits and is updated at the clock rate, so its output frequency is:

$$F_{out1} = F_{clk} * N_1 / 2^{48},$$

where N1 is the 48-bit programming word. The carry output of the phase accumulator is used as the output clock, so there can be one clock period of jitter. NCO2 is programmed for the input sample rate to the resampler (equals the half-band filter output rate). NCO2 is updated at the NCO1 output rate. NCO2 controls the phase of the resampling filter. This NCO also has a 48-bit phase accumulator. The equation for programming the output frequency of NCO2 is:

$$F_{out2} = F_{out1} * N_2 / 2^{48} = F_{clk} * (N_1 / 2^{48}) * (N_2 / 2^{48})$$

when the resampling filter is enabled and

$$F_{out2} = F_{clk} * N_2 / 2^{48}$$

when the resampling filter is bypassed. NCO2 can have one output sample period (F_{out1} period) of jitter (one clock period when the HOIF is bypassed).

A static phase offset can be programmed for NCO2. The range of the phase offset is 0 to 2 NCO2 output sample periods (0 - 2 resampling filter input sample periods). The programming resolution is 1/256 of a resampling filter input sample period. This programmable offset allows the user vary the group delay of one channel relative to another in very fine increments to compensate for differences in system delays.

If the resampler is not needed for rate change, it can be used for phase shifting by setting bit 22 in IWA *001h.

While the 48-bit phase accumulators provide very good frequency programming resolution, at some input/output sample rate ratios, there will be a slow phase drift due to the finite word length. To correct for this, a "leap" counter is provided to reset the phase of the NCOs after a programmed interval to remove any accumulated error. The leap counter is 32 bits. If properly programmed, this phase correction will not be seen in the output of the part.

The input rate to the IHBF/RS section must match the output sample rate of FIR2, i.e. the output rate of NCO2 must equal the input sample rate of the part divided by the decimation factors in the CIC, FIR1, and FIR2. The leap counter can guarantee this over the long term, but due to the jitter of the phase accumulator outputs, a FIFO is provided to guarantee that there are no dropped samples. The FIFO is filled at the output sample rate of the AGC and is emptied by F_{out2} (or $F_{out2}/2$ if the IHBF is enabled). After reset, the FIFO is filled to a depth of two before the NCOs are enabled. This minimum fill depth guarantees that there are enough samples in the FIFO that the FIFO never empties or overflows due to NCO jitter if the NCOs and leap counter are properly programmed. FIFO reads are enabled after an additional 0 to 3 input samples as programmed by the user. This additional depth provides for

additional programmable group delay. The additional FIFO depth can only be programmed at reset. Because the NCOs are enabled after a depth of 2 is reached, the data into the IHBF/Resampler is zeroed until the programmed fill depth is reached. If both the half-band and resampling filters are enabled, the programmable FIFO depth, together with the NCO2 phase offset, provides from 0 to 4 FIR2 output sample periods of programmable group delay in 1/512 increments.

Because the IHBF and RS combination can only interpolate, for resampling ratios <1, the signal must first be interpolated to a multiple of the desired sample rate and then decimated to the

final rate. A decimation counter is provided after the resampling filter to down sample to the desired rate.

The NCO1 and NCO2 frequencies are programmed in IWA = *011h - *014h. These registers are double buffered. The uP writes to a holding register. Data is then transferred to the active registers by a write to IWA = *017h or by a SYNCInX if enabled in IWA = *000h.

The gain data from the AGC is not interpolated. The output of the AGC is sampled with each I/Q sample to the output section.

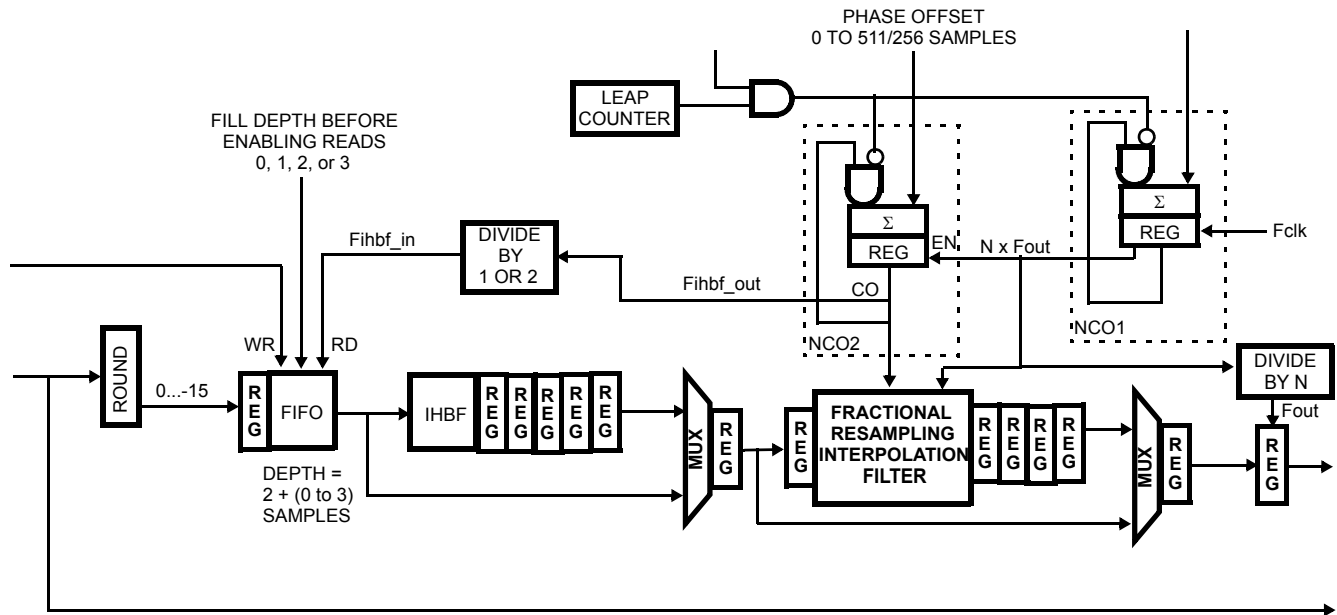


FIGURE 8. IHBF AND RESAMPLER BLOCK DIAGRAM

Data Output Formatter Section

Four 16-bit output data busses are provided on the ISL5416. All of the busses share a common output clock, CLKO1, which is derived from CLKC. CLKO2 signal is provided for easier board routing or for the differential outputs. Each bus has an output SYNC which is typically used as a frame sync. Each bus can be divided into two 8-bit busses if desired. When a new data sample is available from a channel, it starts a time slot counter that sequences through up to 8 output time slots. The data type for each time slot is programmable as well as the FSYNCx assertion. The data from more than one channel can be multiplexed through the same output bus if channels are synchronized. The data from channels 0 and 1 and from channels 2 and 3 can be multiplexed directly. Multiplexing channels 0 and 1 with 2 and 3 is done by ORing multiplexer outputs together. See figures 10 and 11. This means that related channels (such as diversity channels) should be grouped into channels 0 and 1, or into channels 2 and 3 for ease of data routing.

The data type, SYNC assertion, and bus routing are programmed in registers 0*01h through 0*04h. Two of the eight time slots are programmed in each location.

The I/Q data from each channel is rounded to 4, 6, 8, 12, 16, 20 or 24 bits at the output of the channel. The AGC gain can be rounded to 8, 12, or 16 bits. A 24-bit output is provided to the output section for I and Q data and a 16-bit output is provided for the AGC data. The data is MSB justified in the output bus and the LSBs below the programmed number are zeroed.

24 bits of I/Q data is available from the AGC if the IHBF/HOIF is bypassed. I/Q are 16 bits if the IHBF/HOIF section is enabled.

Serial outputs are available. See GWA = 0000h, IWA = 0*06h, 0*07h, and 0*08h.

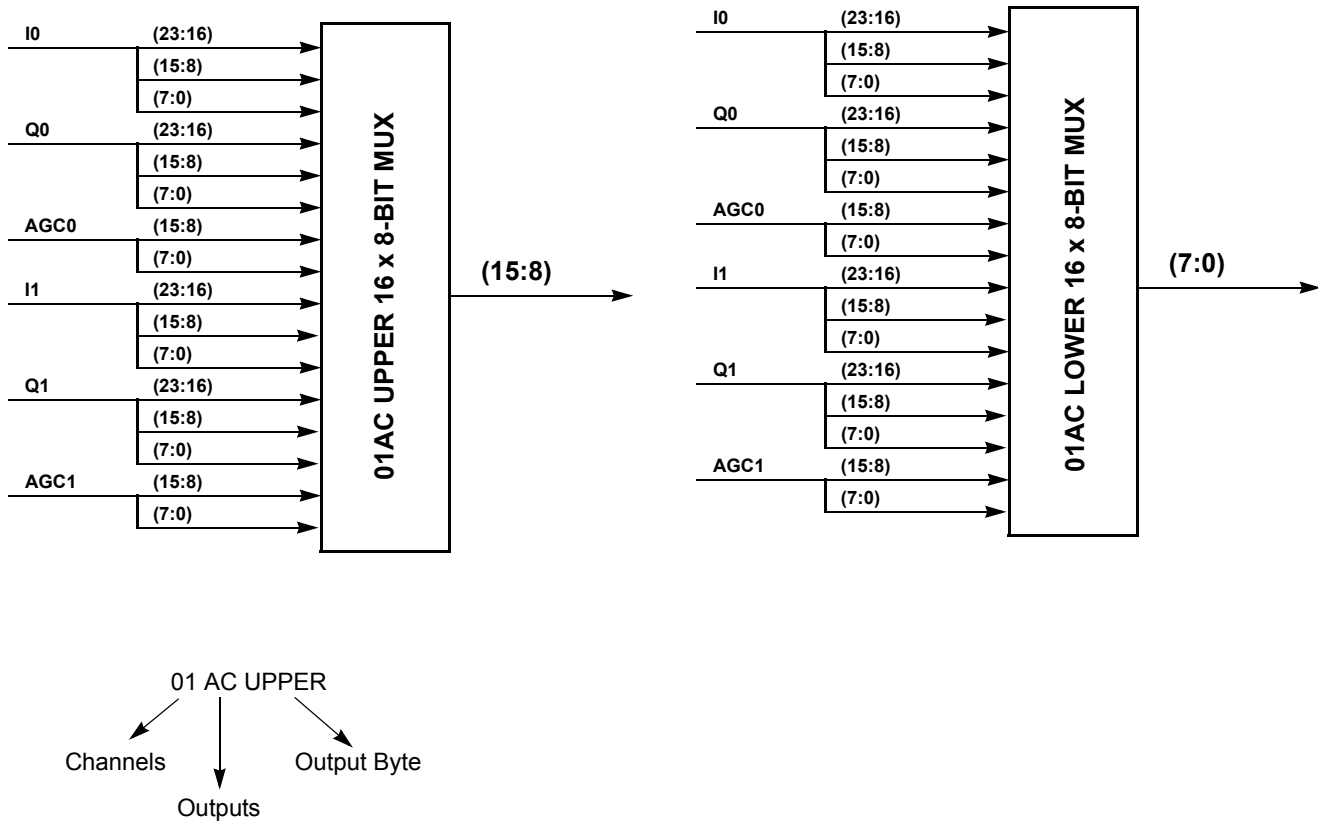


FIGURE 9. MULTIPLEXING CHANNELS

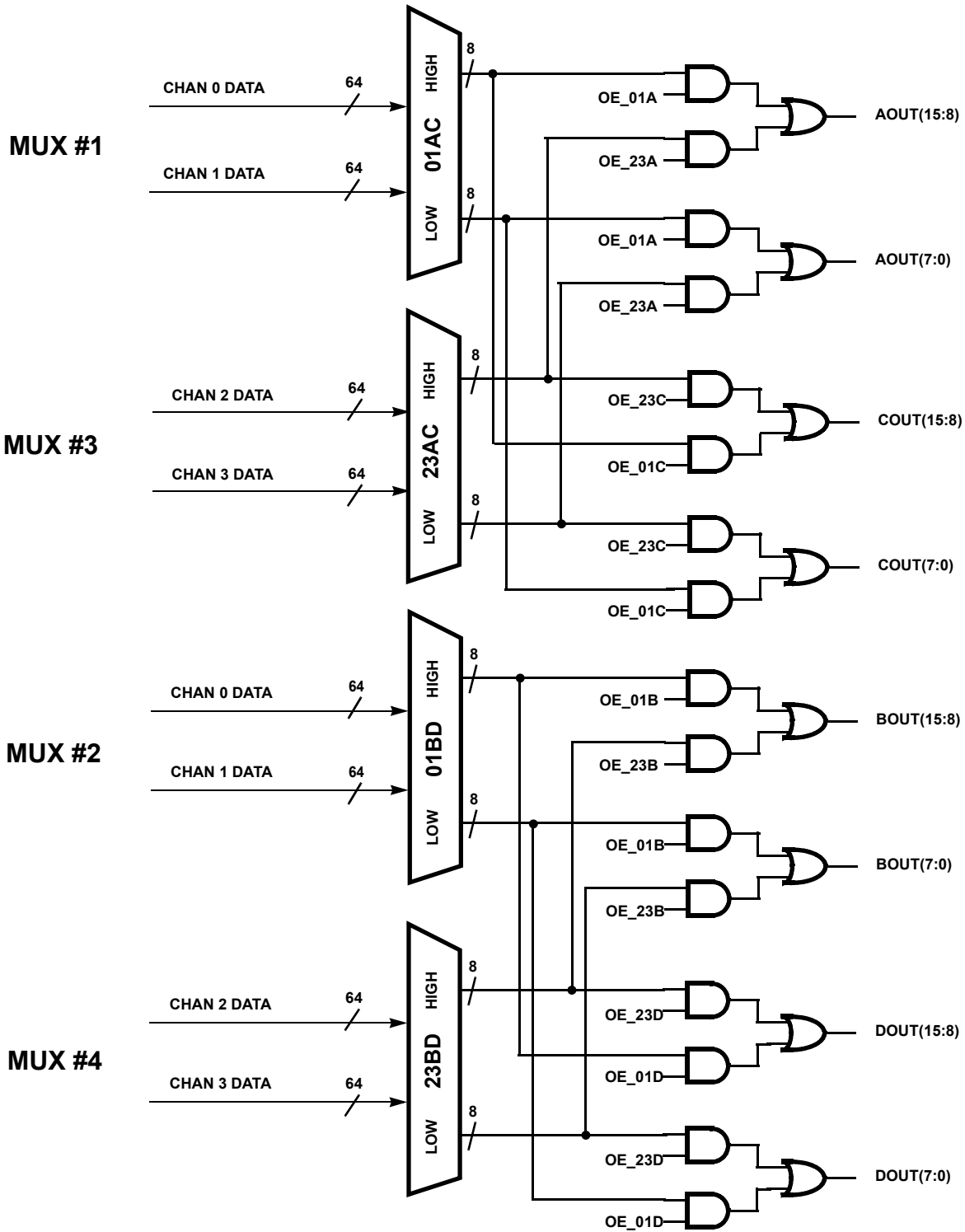


FIGURE 10. OUTPUT ROUTING

Serial Data Output

The serial data output control register contains sync position and polarity (SSYNCA, B, C or D), channel multiplexing, and scaling controls for the SD1x and SD2x (x = A, B, C or D) serial outputs (see IWA registers 0*06 - 0*08h).

Serial Data Output Time Slot Content/Format Registers

These two registers are used to program the content and format of the serial data output sequence time slots (see IWA registers 0*07h and 0*08h). There are four data time slots that make up a serial data output stream. The number of data bits and data format of each slot is programmable as well as whether there will be a sync generated with the time slot (the syncs are only associated with the SD1 serial outputs). Any of three types of data or zeros can be chosen for each time slot. Seven bits are used to specify the content and format of each slot.

Channel Routing Mask

The multiplexing mask bits for each channel (see Microprocessor Interface Section, IWA register 0*06h bits 19:16 for SD1x or bits 15:12 for SD2x) can be used to enable that channel's output to any of the four serial outputs. These bits control AND gates that mask off the channels, so a zero disables the channel's connection to that output.

To configure more than one channel's output onto a serial data output, the SD1 serial outputs and syncs from each channel (0, 1, 2 and 3) are brought to each of the SD1 serial output sections and the SD2 serial outputs are brought to each of the SD2 serial output sections (the syncs are only associated with the SD1 serial outputs). There, the four outputs are AND-ed with the multiplexing mask programmed in the serial data output control registers of channels 0 thru 3 and OR-ed together. By gating off the channels that are not wanted and delaying the data from each desired channel appropriately, the channels can be multiplexed into a common serial output stream. It should be noted that in order to multiplex multiple channels onto a single serial data stream the channels to be multiplexed must be synchronous.

Microprocessor Interface

The ISL5416 Microprocessor (μ P) interface consists of a 16-bit bidirectional data bus, P(15:0), three address pins, ADD(2:0), a write strobe (\overline{WR}), a read strobe (\overline{RD}) and a chip enable (\overline{CE}). Indirect addressing is used for control and configuration of the ISL5416.

The processor interface to the ISL5416 is a mixture of direct and indirect addressing. To minimize the amount of processor address space and bus routing, there are only eight 16-bit direct address locations. Two of these are used to access an internal 32-bit bus. To write data to internal indirect locations, the data is first written to direct addresses 0 (bits 15:0) and 1 (bits 31:16). The internal address is then written to direct

address 2. When the address is written, a synchronization circuit generates an internal write strobe, synchronized to the clock, to clock the data into the target register. The synchronization process requires 4 clock cycles, so data should not be written to direct addresses 0 or 1 for four clock cycles after a write to address 2. To read data from internal locations, the internal address is first written to direct address 3. The data can then be read from direct addresses 0 (15:0) and 1 (31:16). The indirect address register is shared between direct addresses 2 and 3, with only writes to address 2 generating write strobes. Because of this, the address does not have to be re-written to verify a write unless broadcasting data to more than one channel.

Direct address 2 is used for status when read. The status bits are defined in Table of Microprocessor Direct Read/Write Addresses. Direct addresses 4 through 7 are used for fast read access.

Addresses 4 through 7 (one address per channel) are used for sequenced read (FIFO-like) addresses. The user can program the order that the data would be read from the part. The user can select I, Q, AGC Gain (real time or sampled), and two types of data from the range control circuit. When a new output is available, the data type pointer is reset to the first data type. After each read, the pointer is incremented to the next data type. To signal a new output on the channel, a signal can be routed to the CLKO2/ \overline{INTRPT} pin. A channel is enabled to generate interrupt in address IWA = 0*0Ah, bit 31. If separate interrupt signals are required for each channel, the FSYNCX pins can be used.

The indirect address space is divided into top level or global locations for parameters that are shared between channels or I/Os, I/O control locations, and channel control parameters. The global locations are between addresses 0000h and 00FFh. The I/O control locations are between 0100h and 0FFFh. Bits 11, 10, 9, and 8 select I/O busses D, C, B, and A, respectively. What this means is that by setting a single address bit of 11:8, the control register is written for that I/O control section. By setting more than one bit, the same data is written to the corresponding registers of more than one I/O control section. Reads must select only one I/O control section.

Channel control registers are located between addresses 1000h and FFFFh. Bits 15, 14, 13, and 12 select channels 3, 2, 1, and 0, respectively. The user can write to individual channels or to multiple channels at once by setting the appropriate channel select bit, 15:12. Read addresses must specify a single channel.

To Write to the Internal Registers:

1. Load the indirect write holding registers at direct address ADD(2:0) = 0 and 1 with the data for the internal register (32 bits).
2. Write the Indirect Write Address of the internal register being addressed to direct address ADD(2:0) = 2 (Note: A write strobe to transfer the contents of the Indirect Write Holding Register into the Target Register specified by the Indirect Address will be generated internally).
3. Wait 4 clock cycles before performing the next write to the indirect write holding registers.

To Read Internal Registers:

1. Write the Indirect Read Address of the internal register being read to direct address ADD(2:0) = 3.
2. Perform a read of the Indirect Read Holding Registers at direct address ADD(2:0) = 0 and 1.

NOTE: After an indirect write to a single channel, the data can be read at direct addresses 0 and 1 after 4 clock periods.

JTAG

JTAG: The IEEE 1149.1 Joint Test Action Group boundary scan standard operational codes shown in Table 2 are supported. A separate application note is available with implementation details

JTAG Op Codes Supported

TABLE 6.

INSTRUCTION	OP CODE
EXTEST	0000
IDCODE	0001
SAMPLE/PRELOAD	0010
INTEST	0011
BYPASS	1111

TABLE 7. STATUS BITS READ DIRECT ADDRESS 2 FOR (15:0)

15:8	REVISION CODE. 0x00h = prototype silicon. 0x01h = production silicon.
7:6	CHANNEL 3 STATUS. Bit 7 is always zero, bit 6 indicates data path saturation.
5:4	CHANNEL 2 STATUS. Bit 5 is always zero, bit 4 indicates data path saturation.
3:2	CHANNEL 1 STATUS. Bit 3 is always zero, bit 2 indicates data path saturation.
1:0	CHANNEL 0 STATUS. Bit 1 is always zero, bit 0 indicates data path saturation.

Bits 0, 2, 4, 6 are the OR-ing together of the individual data path. Saturation bits listed in *01Fh (Table 14). These bits are latched when set. A write to *01F clears the bit(s).

TABLE OF MICROPROCESSOR DIRECT READ/WRITE ADDRESSES

ADD(2:0)	PINS	REGISTER DESCRIPTION
0	WR	Indirect Write Data Bus (15:0), "Master (15:0)".
1	WR	Indirect Write Data Bus (31:16), "Master (31:16)".
2	WR	Indirect Write Address Register for Internal Target Register (Generates a write strobe to transfer contents of the Write Holding Register into the Target Register specified by the Indirect Address, see also Tables of Indirect Address Registers).
3	WR	Indirect Read Address Register (Used to select the Read source of data - uses the same register as Direct Address 2 but does not generate a write strobe).
4	WR	RESERVED
5	WR	RESERVED
6	WR	RESERVED
7	WR	RESERVED
0	RD	Indirect Read, Bits 15:0.
1	RD	Indirect Read, Bits 31:16.
2	RD	Status (15:0).
3	RD	RESERVED
4	RD	Channel 0 Sequenced Read Address.
5	RD	Channel 1 Sequenced Read Address.
6	RD	Channel 2 Sequenced Read Address.
7	RD	Channel 3 Sequenced Read Address.

Power-up Sequencing

The ISL5416 core and I/O blocks are isolated by structures which may become forward biased if the supply voltages are not at specified levels. During the power-up and power-down operations, differences in the starting point and ramp rates of the two supplies may cause current to flow in the isolation structures which, when prolonged and excessive, can reduce the usable life of the device.

In general, the most preferred case would be to power-up the core and I/O structures simultaneously. However, it is also safe to power-up the core prior to the I/O block if simultaneous application of the supplies is not possible. In this case, the I/O voltage should be applied in 10ms to 100ms nominally to preserve supply component reliability. Bringing the core and I/O supplies to their respective regulation levels in a maximum time frame of a 100ms, moderates the stresses placed on both, the power supply and the ISL5416.

Table of Indirect Read and Write Address Registers

NOTE: These Indirect Read Addresses are repeated for each channel. In the addresses below, the * fields are the channel and I/O select nibble. These bits of the Indirect Address select the target I/O or channel register for the data being read.

TABLE 8. TOP - GLOBAL WRITES

F	E	D	C	B	A	9	8	7	6	5	4	3	2	1	0	DESCRIPTION
0	0	0	0	0	0	0	0	0	0	0	0	0	0	0	0	TOP LEVEL, COMMON OUTPUT CONTROLS AND CHANNEL-TO-CHANNEL DATA ROUTING
0	0	0	0	0	0	0	0	0	0	0	0	0	0	0	1	RANGE CONTROL TO EOUT MAPPING
0	0	0	0	0	0	0	0	0	0	0	0	0	0	1	0	uP TEST INPUT DATA, TEST OUTPUT ENABLES
0	0	0	0	0	0	0	0	0	0	0	0	0	0	1	1	uP TEST DATA STROBE
0	0	0	0	0	0	0	0	0	0	0	0	0	1	0	0	SYNCO STROBE GENERATION
0	0	0	0	0	0	0	0	0	0	0	0	0	1	0	1	SYNCO WITH INTERNAL SYNCIn1 FEEDBACK
0	0	0	0	0	0	0	0	0	0	0	0	0	1	1	0	SOFTWARE HARD RESET
																0007 - 00FF RESERVED

TABLE 9. TOP - GLOBAL READS

F	E	D	C	B	A	9	8	7	6	5	4	3	2	1	0	DESCRIPTION
0	0	0	0	0	0	0	0	0	0	0	0	0	0	0	0	CONTROL REGISTER 0000h
0	0	0	0	0	0	0	0	0	0	0	0	0	0	0	1	CONTROL REGISTER 0001h
0	0	0	0	0	0	0	0	0	0	0	0	0	0	1	0	CONTROL REGISTER 0002h
0	0	0	0	0	0	0	0	0	0	0	0	0	0	1	1	N/A (STROBE)
0	0	0	0	0	0	0	0	0	0	0	0	0	1	0	0	N/A (STROBE)
0	0	0	0	0	0	0	0	0	0	0	0	0	1	0	1	N/A (STROBE)
0	0	0	0	0	0	0	0	0	0	0	0	0	1	1	0	N/A (STROBE)
																0007 - 00FF RESERVED

TABLE 10. XIN, XOUT, XRNG WRITES (X = A, B, C, D AS SPECIFIED BY * NIBBLE BITS)

F	E	D	C	B	A	9	8	7	6	5	4	3	2	1	0	DESCRIPTION
0	0	0	0	*	*	*	*	0	0	0	0	0	0	0	0	INPUT FORMAT
0	0	0	0	*	*	*	*	0	0	0	0	0	0	0	1	PARALLEL OUTPUT ROUTING 1 - TIME SLOTS 0, 1
0	0	0	0	*	*	*	*	0	0	0	0	0	0	1	0	PARALLEL OUTPUT ROUTING 2 - TIME SLOTS 2, 3
0	0	0	0	*	*	*	*	0	0	0	0	0	0	1	1	PARALLEL OUTPUT ROUTING 3 - TIME SLOTS 4, 5
0	0	0	0	*	*	*	*	0	0	0	0	0	1	0	0	PARALLEL OUTPUT ROUTING 4 - TIME SLOTS 6, 7
0	0	0	0	*	*	*	*	0	0	0	0	0	1	0	1	RANGE CONTROL SYNCInX CONTROLS
0	0	0	0	*	*	*	*	0	0	0	0	0	1	1	0	SERIAL OUTPUT CONTROL
0	0	0	0	*	*	*	*	0	0	0	0	0	1	1	1	SERIAL OUTPUT SD1X TIME SLOTS
0	0	0	0	*	*	*	*	0	0	0	0	1	0	0	0	SERIAL OUTPUT SD2X TIME SLOTS
0	0	0	0	*	*	*	*	0	0	0	0	1	0	0	1	RANGE CONTROL DC BLOCKING FILTER
0	0	0	0	*	*	*	*	0	0	0	0	1	0	1	0	SEQUENCED READ ORDER
				*	*	*	*									0*0B - 0*0F RESERVED
0	0	0	0	*	*	*	*	0	0	0	1	0	0	0	0	RANGE CONTROL CONTROL

TABLE 10. XIN, XOUT, XRNG WRITES (X = A, B, C, D AS SPECIFIED BY * NIBBLE BITS)

F	E	D	C	B	A	9	8	7	6	5	4	3	2	1	0	DESCRIPTION
0	0	0	0	0	*	0	*	0	0	0	1	0	0	0	1	RANGE CONTROL SLOT PERIOD, DELAY ^X
0	0	0	0	0	*	0	*	0	0	0	1	0	0	1	0	RANGE CONTROL INTEGRATION TIME, NUMBER OF INTEGRATIONS ^X
0	0	0	0	0	*	0	*	0	0	0	1	0	0	1	1	RANGE CONTROL LOWER THRESHOLD, DELTA ^X
0	0	0	0	0	*	0	*	0	0	0	1	0	1	0	0	RANGE CONTROL UPPER THRESHOLD, DELTA ^X
0	0	0	0	0	*	0	*	0	0	0	1	0	1	0	1	RANGE CONTROL IMMEDIATE THRESHOLD, DELTA ^X
0	0	0	0	0	*	0	*	0	0	0	1	0	1	1	0	RANGE CONTROL BIAS ^X
0	0	0	0	*	*	*	*	0	0	0	1	0	1	1	1	RANGE CONTROL ATTENUATION CONTROL CODES 0 - 3
0	0	0	0	*	*	*	*	0	0	0	1	1	0	0	0	RANGE CONTROL ATTENUATION CONTROL CODES 4 - 7
0	0	0	0	*	*	*	*	0	0	0	1	1	0	0	1	RANGE CONTROL μ P ATTENUATION ACCUMULATOR LOAD
0	0	0	0	*	*	*	*	0	0	0	1	1	0	1	0	RANGE CONTROL ACCUMULATOR LOAD STROBE
0	0	0	0	*	*	*	*	0	0	0	1	1	0	1	1	RANGE CONTROL ACCUMULATOR READ STROBE
0	0	0	0	*	*	*	*	0	0	0	1	1	1	0	0	RANGE CONTROL INTEGRATOR READ SAMPLE STROBE
0	0	0	0	*	*	*	*	0	0	0	1	1	1	0	1	RANGE CONTROL DC OFFSET READ SAMPLE STROBE
																0*1E - 0*FF RESERVED

^X = These control registers are shared between inputs A and B and between inputs C and D.

TABLE 11. XIN, XOUT, XRNG READS (X = A, B, C, D AS SPECIFIED BY * NIBBLE BITS)

F	E	D	C	B	A	9	8	7	6	5	4	3	2	1	0	DESCRIPTION
0	0	0	0	*	*	*	*	0	0	0	0	0	0	0	0	CONTROL REGISTER 0*00
0	0	0	0	*	*	*	*	0	0	0	0	0	0	0	1	CONTROL REGISTER 0*01
0	0	0	0	*	*	*	*	0	0	0	0	0	0	1	0	CONTROL REGISTER 0*02
0	0	0	0	*	*	*	*	0	0	0	0	0	0	1	1	CONTROL REGISTER 0*03
0	0	0	0	*	*	*	*	0	0	0	0	0	1	0	0	CONTROL REGISTER 0*04
0	0	0	0	*	*	*	*	0	0	0	0	0	1	0	1	CONTROL REGISTER 0*05
0	0	0	0	*	*	*	*	0	0	0	0	0	1	1	0	CONTROL REGISTER 0*06
0	0	0	0	*	*	*	*	0	0	0	0	0	1	1	1	CONTROL REGISTER 0*07
0	0	0	0	*	*	*	*	0	0	0	0	1	0	0	0	CONTROL REGISTER 0*08
0	0	0	0	*	*	*	*	0	0	0	0	1	0	0	1	CONTROL REGISTER 0*09
0	0	0	0	*	*	*	*	0	0	0	0	1	0	1	0	CONTROL REGISTER 0*0A
																0*0B - 0*0F RESERVED
0	0	0	0	*	*	*	*	0	0	0	1	0	0	0	0	CONTROL REGISTER 0*10
0	0	0	0	0	*	0	*	0	0	0	1	0	0	0	1	CONTROL REGISTER 0*11, * = 1, 4 ONLY
0	0	0	0	0	*	0	*	0	0	0	1	0	0	1	0	CONTROL REGISTER 0*12, * = 1, 4 ONLY
0	0	0	0	0	*	0	*	0	0	0	1	0	0	1	1	CONTROL REGISTER 0*13, * = 1, 4 ONLY
0	0	0	0	0	*	0	*	0	0	0	1	0	1	0	0	CONTROL REGISTER 0*14, * = 1, 4 ONLY
0	0	0	0	0	*	0	*	0	0	0	1	0	1	0	1	CONTROL REGISTER 0*15, * = 1, 4 ONLY
0	0	0	0	0	*	0	*	0	0	0	1	0	1	1	0	CONTROL REGISTER 0*16, * = 1, 4 ONLY
0	0	0	0	*	*	*	*	0	0	0	1	0	1	1	1	CONTROL REGISTER 0*17
0	0	0	0	*	*	*	*	0	0	0	1	1	0	0	0	CONTROL REGISTER 0*18
0	0	0	0	*	*	*	*	0	0	0	1	1	0	0	1	RANGE CONTROL LOAD VALUE READ (HOLDING REGISTER)

TABLE 11. XIN, XOUT, XRNG READS (X = A, B, C, D AS SPECIFIED BY * NIBBLE BITS) (Continued)

F	E	D	C	B	A	9	8	7	6	5	4	3	2	1	0	DESCRIPTION
0	0	0	0	*	*	*	*	0	0	0	1	1	0	1	0	N/A (STROBE)
0	0	0	0	*	*	*	*	0	0	0	1	1	0	1	1	RANGE CONTROL ACCUMULATOR READ AFTER A WRITE TO THIS LOCATION TO STABILIZE
0	0	0	0	*	*	*	*	0	0	0	1	1	1	0	0	RANGE SELECT INTEGRATOR READ AFTER A WRITE TO THIS LOCATION TO STABILIZE
0	0	0	0	*	*	*	*	0	0	0	1	1	1	0	1	RANGE SELECT DC OFFSET READ AFTER A WRITE TO THIS LOCATION TO STABILIZE
																0*1E - 0*FF RESERVED

TABLE 12. CHANNEL CONTROL REGISTERS (WRITES)

F	E	D	C	B	A	9	8	7	6	5	4	3	2	1	0	DESCRIPTION
*	*	*	*	0	0	0	0	0	0	0	0	0	0	0	0	CHANNEL SYNC CONTROL
*	*	*	*	0	0	0	0	0	0	0	0	0	0	0	1	CHANNEL DATA PATH, CONTROL ♣
*	*	*	*	0	0	0	0	0	0	0	0	0	0	1	0	CARRIER CENTER FREQUENCY HOLDING REGISTER ♣
*	*	*	*	0	0	0	0	0	0	0	0	0	0	1	1	CARRIER PHASE OFFSET
*	*	*	*	0	0	0	0	0	0	0	0	0	1	0	0	CARRIER FREQUENCY LOAD STROBE
*	*	*	*	0	0	0	0	0	0	0	0	0	1	0	1	NCO/CIC CONTROL
*	*	*	*	0	0	0	0	0	0	0	0	0	1	1	0	PN NOISE LEVEL
*	*	*	*	0	0	0	0	0	0	0	0	0	1	1	1	FIR1, FIR2 CINTROL, RE-SAMPLING FILTER OUTPUT DECIMATION
*	*	*	*	0	0	0	0	0	0	0	0	1	0	0	0	AGC CONTROL
*	*	*	*	0	0	0	0	0	0	0	0	1	0	0	1	AGC SET POINT
*	*	*	*	0	0	0	0	0	0	0	0	1	0	1	0	AGC UPPER AND LOWER GAIN LIMITS
*	*	*	*	0	0	0	0	0	0	0	0	1	0	1	1	AGC LOOP GAINS
*	*	*	*	0	0	0	0	0	0	0	0	1	1	0	0	AGC COUNTER PRELOADS 1
*	*	*	*	0	0	0	0	0	0	0	0	1	1	0	1	AGC COUNTER PRELOADS 2
*	*	*	*	0	0	0	0	0	0	0	0	1	1	1	0	AGC uP GAIN LOADING REGISTER ♣
*	*	*	*	0	0	0	0	0	0	0	0	1	1	1	1	AGC uP GAIN LOADING STROBE
*	*	*	*	0	0	0	0	0	0	0	1	0	0	0	0	AGC STROBE TO SAMPLE GAIN FOR READ
*	*	*	*	0	0	0	0	0	0	0	1	0	0	0	1	RE-SAMPLING FILTER NCO1 - OUTPUT RATE 47:16 ♣
*	*	*	*	0	0	0	0	0	0	0	1	0	0	1	0	RE-SAMPLING FILTER NCO1 - OUTPUT RATE 15:0 ♣
*	*	*	*	0	0	0	0	0	0	0	1	0	0	1	1	RE-SAMPLING FILTER NCO2 - INPUT RATE 47:16 ♣
*	*	*	*	0	0	0	0	0	0	0	1	0	1	0	0	RE-SAMPLING FILTER NCO2 - INPUT RATE 15:0 ♣
*	*	*	*	0	0	0	0	0	0	0	1	0	1	0	1	RE-SAMPLING FILTER NCO2 - PHASE OFFSET/DELAY
*	*	*	*	0	0	0	0	0	0	0	1	0	1	1	0	RE-SAMPLING FILTER LEAP COUNTER PERIOD
*	*	*	*	0	0	0	0	0	0	0	1	0	1	1	1	RE-SAMPLING FILTER FREQUENCY UPDATE STROBE
*	*	*	*	0	0	0	0	0	0	0	1	1	0	0	0	CHANNEL SOFT RESET STROBE
*	*	*	*	0	0	0	0	0	0	0	1	1	0	0	1	uP STROBE TO UPDATE DATA PATH REGISTER
*	*	*	*	0	0	0	0	0	0	0	1	1	0	1	0	ADVANCE STROBE
*	*	*	*	0	0	0	0	0	0	0	1	1	0	1	1	RETARD STROBE
																*01C - *01E RESERVED
*	*	*	*	0	0	0	0	0	0	0	1	1	1	1	1	CHANNEL STATUS REGISTER CLEAR STROBE

TABLE 12. CHANNEL CONTROL REGISTERS (WRITES) (Continued)

F	E	D	C	B	A	9	8	7	6	5	4	3	2	1	0	DESCRIPTION
																*020 - *07F RESERVED
*	*	*	*	0	0	0	1	0	0	0	0	0	0	0	0	FIR1 COEFFICIENTS
																THRU
*	*	*	*	0	0	0	1	0	0	0	1	1	1	1	1	
																*120 - *1FF RESERVED
*	*	*	*	0	0	1	0	0	0	0	0	0	0	0	0	FIR2 COEFFICIENTS
																THRU
*	*	*	*	0	0	1	0	0	0	1	1	1	1	1	1	
																*240 - *FFF RESERVED

NOTE: The controls marked as “♣” are double buffered, i.e. the data is loaded into a holding register by the uP and then transferred to an active register by either a write to an indirect location that generates an update strobe or by a SYNCInX signal if enabled in IWA = *000h.

TABLE 13. CHANNEL CONTROL REGISTERS (READS)

F	E	D	C	B	A	9	8	7	6	5	4	3	2	1	0	DESCRIPTION
*	*	*	*	0	0	0	0	0	0	0	0	0	0	0	0	CONTROL REGISTER *000
*	*	*	*	0	0	0	0	0	0	0	0	0	0	0	1	CONTROL REGISTER *001
*	*	*	*	0	0	0	0	0	0	0	0	0	0	1	0	CARRIER ACTIVE CENTER FREQUENCY
*	*	*	*	0	0	0	0	0	0	0	0	0	0	1	1	CONTROL REGISTER *003
*	*	*	*	0	0	0	0	0	0	0	0	0	1	0	0	N/A (STROBE)
*	*	*	*	0	0	0	0	0	0	0	0	0	1	0	1	CONTROL REGISTER *005
*	*	*	*	0	0	0	0	0	0	0	0	0	1	1	0	CONTROL REGISTER *006
*	*	*	*	0	0	0	0	0	0	0	0	0	1	1	1	CONTROL REGISTER *007
*	*	*	*	0	0	0	0	0	0	0	0	1	0	0	0	CONTROL REGISTER *008
*	*	*	*	0	0	0	0	0	0	0	0	1	0	0	1	CONTROL REGISTER *009
*	*	*	*	0	0	0	0	0	0	0	0	1	0	1	0	CONTROL REGISTER *00A
*	*	*	*	0	0	0	0	0	0	0	0	1	0	1	1	CONTROL REGISTER *00B
*	*	*	*	0	0	0	0	0	0	0	0	1	1	0	0	CONTROL REGISTER *00C
*	*	*	*	0	0	0	0	0	0	0	0	1	1	0	1	CONTROL REGISTER *00D
*	*	*	*	0	0	0	0	0	0	0	0	1	1	1	0	AGC GAIN IS READ AT DIRECT ADDRESSES 4 - 7 AFTER SAMPLING WITH A WRITE TO IWA = *010h
*	*	*	*	0	0	0	0	0	0	0	0	1	1	1	1	N/A (STROBE)
*	*	*	*	0	0	0	0	0	0	0	1	0	0	0	0	MAGNITUDE (AFTER SAMPLING WITH A WRITE TO THIS LOCATION)
*	*	*	*	0	0	0	0	0	0	0	1	0	0	0	1	ACTIVE RESAMPLER NCO1 FREQUENCY 47:16
*	*	*	*	0	0	0	0	0	0	0	1	0	0	1	0	ACTIVE RESAMPLER NCO1 FREQUENCY 15:0
*	*	*	*	0	0	0	0	0	0	0	1	0	0	1	1	ACTIVE RESAMPLER NCO2 FREQUENCY 47:16
*	*	*	*	0	0	0	0	0	0	0	1	0	1	0	0	ACTIVE RESAMPLER NCO2 FREQUENCY 15:0
*	*	*	*	0	0	0	0	0	0	0	1	0	1	0	1	CONTROL REGISTER *015
*	*	*	*	0	0	0	0	0	0	0	1	0	1	1	0	CONTROL REGISTER *016
*	*	*	*	0	0	0	0	0	0	0	1	0	1	1	1	N/A (STROBE)
*	*	*	*	0	0	0	0	0	0	0	1	1	0	0	0	N/A (STROBE)

TABLE 13. CHANNEL CONTROL REGISTERS (READS) (Continued)

F	E	D	C	B	A	9	8	7	6	5	4	3	2	1	0	DESCRIPTION
*	*	*	*	0	0	0	0	0	0	0	1	1	0	0	1	N/A (STROBE)
*	*	*	*								1	1	0	1	0	N/A (STROBE)
*	*	*	*	0	0	0	0	0	0	0	1	1	0	1	1	N/A (STROBE)
*	*	*	*	0	0	0	0	0	0	0	1	1	1	0	0	N/A (STROBE)
																*01D - *03E UNUSED
*	*	*	*	0	0	0	0	0	0	0	1	1	1	1	1	CHANNEL STATUS
																*03F - *07F UNUSED
*	*	*	*	0	0	0	1	0	0	0	0	0	0	0	0	FIR1 COEFFICIENTS
																THRU
*	*	*	*	0	0	0	1	0	0	0	1	1	1	1	1	
																*120 - *1FF UNUSED
*	*	*	*	0	0	1	0	0	0	0	0	0	0	0	0	FIR2 COEFFICIENTS
																THRU
*	*	*	*	0	0	1	0	0	0	1	1	1	1	1	1	
																*240 - *FFF UNUSED

TABLE 14. CHANNEL STATUS BITS (*01Fh) ONCE SET, STATUS BITS STAY SET UNTIL CLEARED BY A WRITE TO *01Fh

BITS	DESCRIPTION
15	FIFO crossed threshold
14	FIFO empty
13	FIFO full
12	Saturation in IHBF (I or Q)
11	Saturation in Q channel 24 -> 16 bit rounder (to FIFO prior to IHBF)
10	Saturation in I channel 24 -> 16 bit rounder (to FIFO prior to IHBF)
9	UNUSED.
8	Saturation in AGC forward gain path (I or Q)
7	Saturation in Q channel FIR2
6	Saturation in I channel FIR2
5	Saturation in Q channel FIR1 to FIR2 gain block
4	Saturation in I channel FIR1 to FIR2 gain block
3	Saturation in Q channel FIR1
2	Saturation in I channel FIR1
1	Saturation in Q channel CIC to FIR1 gain block
0	Saturation in I channel CIC to FIR1 gain block

NOTE: FIR Saturation bits will indicate saturation if an intermediate accumulation exceeds 1.0, even though, the final result is less than 1.0. The headroom for intermediate sums of products is up to 16 (2^4).

Tables of Top Level Registers

In the tables below “reset state” indicates the register contents after a HW reset or a SW hard reset. Unless noted, a soft channel reset does not clear register contents. A soft channel reset does clear the slave registers of a master/slave pair (such as channel data path control) but does not clear the master.

This register controls the output SYNC signal polarity, the output clock rate and polarity, output data modes, and channel cascading.

TABLE 15. COMMON OUTPUT CONTROL FUNCTIONS (GWA = 0000h) RESET STATE = 0x0000001h

P(31:0)	FUNCTION
31	ENABLE SERIAL OUTPUT. 1 = serial output mode is enabled. The DOUT parallel data bus is replaced with 4 serial output busses -- one per channel. See 0*06h - 0*08h and Table 30.
30	RESERVED. Set to 0.
29	SCLK RESET. 1 = serial clock divider is reset by SYNCInX if the reset serial output bit is set in IWA = *000h, bits 13 or 29 of any of the 4 channels.
28	SCLK POLARITY. 1 = Low to High transitions at the center of the data bit. 0 = High to Low transitions at the center of the data bit.
27:25	SCLK RATE. 000 = SCLK Disabled. 001 = input clock rate. 010 = input clock rate / 2. 011 = input clock rate / 4. 100 = input clock rate / 8. 101 = input clock rate /16.
24:21	RESERVED. Set to 0.
20	ROUTE CHANNEL 2 TO CHANNEL 3. 1 = route the output of FIR2 of channel 2 to the input of the CIC to FIR1 gain block in channel 3.
19	ROUTE CHANNEL 1 TO CHANNEL 2. 1 = route the output of FIR2 of channel 1 to the input of the CIC to FIR1 gain block in channel 2.
18	ROUTE CHANNEL 0 TO CHANNEL 1. 1 = route the output of FIR2 of channel 0 to the input of the CIC to FIR1 gain block in channel 1.
17	CHANNEL 0 EXTERNAL AGC SOURCE SELECT. 0 = when bit 14 is set, Channel 1 controls Channel 0 gain. 1 = when bit 14 is set, Channel 3 controls Channel 0 gain.
16	CHANNEL 2 EXTERNAL/INTERNAL GAIN CONTROL. 1 = Channel 2 gain is controlled by Channel 3.
15	CHANNEL 1 EXTERNAL/INTERNAL GAIN CONTROL. 1 = Channel 1 gain is controlled by Channel 3.
14	CHANNEL 0 EXTERNAL/INTERNAL GAIN CONTROL. 1 = Channel 0 gain is controlled by Channel 3 or Channel 1 depending on the state of bit 17.
13	CLKO2 OR $\overline{\text{INTRPT}}$. 1 = CLKO2/ $\overline{\text{INTRPT}}$ is $\overline{\text{INTRPT}}$ (2 clock period wide pulse). 0 = CLKO2/ $\overline{\text{INTRPT}}$ is CLKO2. NOTE: For INTRPT IWA = 0*0Ah, bit 31 must be set for the channel that is the interrupt source..
12	FSYNCX POLARITY. 0 = active high 1 = active low.

TABLE 15. COMMON OUTPUT CONTROL FUNCTIONS (GWA = 0000h) RESET STATE = 0x0000001h

P(31:0)	FUNCTION
11	CLKO2 POLARITY. 1 = Low to High transition in the middle of data period. 0 = High to Low transition in the middle of data period. If bit 13 is set: 1 = active high interrupt 0 = active low interrupt.
10	CLKO1 POLARITY. 1 = Low to High transition in the middle of data period. 0 = High to Low transition in the middle of data period.
9:8	HOLD CLKO AFTER RESET. 11 = hold CLKO after hard reset until SYNCIn2. 10 = hold CLKO after hard reset until SYNCIn1. (To re-sync the clock after it has been started, disable it by setting these bits to 00 and then set the bits back to 1X and apply SYNCInX). 01 = enable CLKO after programming this register (This applies only when the CLKO rate is NOT equal to CLKIN rate; there is no need to align the start if CLKO = CLK, and if that is the case, it starts immediately after programming). 00 = disable CLKO.
7:0	CLKO1 RATE. CLKIN / N for N = 1 to 16. 1 = 0x80h or 0x00h 2 = 0x81h 3 = 0x82h 4 = 0x93h 5 = 0x94h 6 = 0xA5h 7 = 0xA6h 8 = 0xB7h 9 = 0xB8h 10 = 0xC9h 11 = 0xCAh 12 = 0xDBh 13 = 0xDCh 14 = 0xEDh 15 = 0xEEh 16 = 0xFFh

This register (IWA = 0001h) routes the bits from the four range select blocks to the four nibbles of the Eout bus. Each nibble of the Eout bus can be controlled by any of the range selectors. Each range select block contains a mapping table with three input bits and eight output bits. The three input bits represent 0 to 42 dB of attenuation in 6 dB steps. The programming of the input to output bit map depends on the type of attenuator or VGA used. Typically four bits would be sufficient for an attenuator while 8 bits might be needed for a D/A controlled VGA.

An example programming for 4 bits per attenuator control is:

0x00001357h

range controls A, B, C, and D control Eout bits 15:12, 11:8, 7:4, 3:0, respectively.

For 8 bits per attenuator control:

0x00000145

range controls A and C control Eout bits 15:8 and 7:0, respectively.

TABLE 16. Eout (RANGE CONTROL) SOURCE SELECT (GWA = 0001h) RESET STATE = 0x00000000h

P(31:0)	FUNCTION
31:16	UNUSED.
15:12	Eout(15:12). 1XXX = set to 0000. 0000 = AH (A range select mapped bits 7:4). 0001 = AL (A range select mapped bits 3:0). 0010 = BH (B range select mapped bits 7:4). 0011 = BL (B range select mapped bits 3:0). 0100 = CH (C range select mapped bits 7:4). 0101 = CL (C range select mapped bits 3:0). 0110 = DH (D range select mapped bits 7:4). 0111 = DL (D range select mapped bits 3:0). See IWA = 0*17h and 0*18h.
11:8	Eout(11:8). See bits 15:12.
7:4	Eout(7:4). See bits 15:12.
3:0	Eout(3:0). See bits 15:12.

A test register is provided for the processor to input data to the part. The register can be selected as the input for any or all of the channels. The test input is 16 bits of data plus 3 bits of exponent. The input enable is also controllable by the uP. The choices are always active, always inactive, and one clock wide

input enable each time the uP writes to IWA = 0003h. This last choice is for inputting test data via the uP interface. The input enable choice is done in the channel at IWA = *001h, bits 19:17.

TABLE 17. TEST INPUT DATA REGISTER (GWA = 0002h) RESET STATE = 0x00000000h

P(31:0)	FUNCTION
31:26	RESERVED. Set to 0.
25	RESERVED. Set to 1.
24	RESERVED. Set to 0.
23	ENABLE TESTOUT D(15:0) TO DOUT(15:0). Set to 0 for normal operation. See Table 18 below.
22	ENABLE TESTOUT C(15:0) TO COUT(15:0). Set to 0 for normal operation. See Table 18 below.
21	ENABLE TESTOUT B(15:0) TO BOUT(15:0). Set to 0 for normal operation. See Table 18 below.
20	ENABLE TESTOUT A(15:0) TO AOUT(15:0). Set to 0 for normal operation. See Table 18 below.
19	RESERVED. Set to 0.
18:16	EXPONENT. 000 = add 0 dB of gain. 111 = add 42 dB of gain.
15:0	DATA. Twos complement.

TABLE 18. TESTOUT X(15:0) BUS SIGNALS (CAN BE OR'd WITH NORMAL OUTPUT ON XOUT BY SETTING BITS 23:20, GWA = 0002h)

15	RANGE CONTROL END OF INTEGRATION PERIOD SIGNAL.
14	RANGE CONTROL END OF DELAY SIGNAL
13	RANGE CONTROL COUNTER LOAD SIGNAL (SYNC and slot counter generated)
12	RANGE CONTROL MAGNITUDE GREATER THAN IMMEDIATE THRESHOLD
11	RANGE CONTROL AVERAGE MAGNITUDE GREATER THAN THRESHOLD 2
10	RANGE CONTROL AVERAGE MAGNITUDE SMALLER THAN THRESHOLD 3
9	RESAMPLER NCO2 2X CARRY OUT

TABLE 18. TESTOUT X(15:0) BUS SIGNALS (CAN BE OR'd WITH NORMAL OUTPUT ON XOUT BY SETTING BITS 23:20, GWA = 0002h)

8	RESAMPLER NCO1 2X CARRY OUT
7	AGC COUNTER LOAD SIGNAL (SYNC and slot counter generated)
6	AGC END OF DELAY COUNTER
5	AGC LOOP GAIN SELECT SIGNAL
4	AGC UPDATE FORWARD GAIN SIGNAL
3	CARRIER NCO MSB (L.O. TEST POINT)
2:0	FIFO READ ADDRESS (2:0); (FIFO Depth, empty = 0)

TABLE 19. TEST INPUT STROBE (GWA = 0003h) RESET STATE = INACTIVE

N/A	FUNCTION
N/A	STROBE. A write to this location generates a one-clock-wide test input enable (for use with the test input register).

For synchronization of the ISL5416 channels to system timing and/or to the processing of other ISL5416 channels, one synchronization output (SYNCO) and two synchronization inputs (SYNCIn1 and SYNCIn2) are provided. The SYNCO of one ISL5416 might be connected to the SYNCIn1 of all the ISL5416s to allow the uP to synchronously start or update parameters in all of the ISL5416s. A write to IWA = 0005h also internally routes the SYNCO to the SYNCIn1 input with the same delay as

connecting the SYNCO pin to the SYNCIn1 pin. For alignment to system timing, the SYNCInX pins can be connected to any one-clock-wide signal synchronous to CLKC. A second synchronization input, SYNCIn2, is provided to synchronize different channels to different event or to allow the processor to control certain events and the system timing to control others.

TABLE 20. SYNCO (GWA = 0004h) RESET STATE = INACTIVE

N/A	FUNCTION
N/A	STROBE. A write to this location generates a one-clock-wide pulse on the SYNCO pin.

TABLE 21. SYNCO WITH INTERNAL FEEDBACK (GWA = 0005h) RESET STATE = INACTIVE

N/A	FUNCTION
N/A	STROBE. A write to this location generates a one-clock-wide pulse on the SYNCO pin that is also internally fed back to the SYNCIn1 pin.

There are three resets to the ISL5416 -- the reset pin, the chip hard reset (IWA = 0006h), and the soft channel reset (IWA = *018h). The pin reset and chip hard reset have the same effect. The soft channel reset only affects the selected

channel and does not reset the control registers, only the slave (active) registers of master/slave pairs.

TABLE 22. CHIP HARD RESET VIA SOFTWARE (GWA = 0006h) RESET STATE = INACTIVE

N/A	FUNCTION
N/A	RESET STROBE. Writing to this location generates a hardware reset, resetting all control registers. Identical function to the RESET pin.

Tables of I/O Registers

TABLE 23. CHANNEL INPUT FORMAT (IWA = 0*00h) RESET STATE = 0x00000000h

P(31:0)	FUNCTION
31:16	UNUSED.
15	FIXED GAIN MODE IN VGA.
14	RESERVED. Set to 1.
13	INVERT INPUT CLOCK. 1 = High -> Low edge of the input clock samples input data. 0 = Low -> High edge of the input clock samples input data.
12	INPUT CLOCK SOURCE. 1 = CLKC 0 = CLKA for Ain (address 0000 XXX1 0000 0000) CLKB for Bin (address 0000 XX1X 0000 0000) CLKD for Din (address 0000 1XXX 0000 0000) CLKC is always used for Cin The rising edge of CLKC is always used for the channel processing and output timing.
11	INPUT FORMAT. 1 = offset binary. 0 = 2's complement
10	GATED & INTERPOLATED. 1 = input interpolated. 0 = input gated.
9:7	DEMUX DELAY. 000 = no delay, take sample aligned with the enable. 111 = take 7th sample after the enable.
6:5	RESERVED. Set to 0.
4	LSB TO MSB SWAP ON DATA. 1 = input bus reversed MSB for LSB -- XIN(0) = MSB. 0 = input bus normal XIN(16) = MSB Provided to simplify circuit board routing.
3:2	FIXED/FLOATING POINT MODE. 00 = 16-bit fixed point (bits 16:1, 0 unused). 01 = 14/3 floating point (bits 16:3 mantissa, 2:0 exponent). 10 = 15/2 floating point (bits 16:2 mantissa, 1:0 exponent). 11 = 16/1 floating point (bits 16:1 mantissa, 0 exponent).
1:0	RESERVED. Set to 0.

TABLE 24. XOUT DATA VERSUS TIME SLOT ROUTING, TIME SLOTS 0, 1 (IWA=0*01h) RESET STATE=0x00000000h
X = A, B, C, D (Descriptions below are for the channels 0/1 multiplexer IWA = 0101h (MUX 01AC). See figure 10 for corresponding signals and buses for the other multiplexers)

P(31:0)	FUNCTION
31:30	RESERVED. Set to 0.
29:28	XOUT TIMING SOURCE. The output slot counter is started by a new sample from 00 = Channel 0 01 = Channel 1 10 = Channel 2 11 = Channel 3 This allows two output busses to be used by one channel if the other channel is disabled.
27	INVERT (ONES COMPLEMENT) XOUT BUS. 1 = ones complement XOUT(15:0). By setting this bit for BOUT or DOUT, the AOUT and BOUT and/or COUT and DOUT can provide complementary output signals.
26	ASSERT FSYNCX DURING SLOT 1. 1 = assert FSYNCX for this time slot. 0 = no FSYNCX.
25	ENABLE TO Cout DURING SLOT 1. (OE_01C) 1 = route the data selected in 23:16 and SYNC enabled in bit 26 to the Cout and SYNCC pins. Provided for multiplexing A and B with C and D channels.
24	ENABLE TO Aout DURING SLOT 1. (OE_01A) 1 = route the data selected in 23:16 and SYNC enabled in bit 26 to the Aout and SYNCA pins. Provided for multiplexing A and B with C and D channels.
23:20	SLOT 1, HIGH BYTE. Data output from the A high byte multiplexer for slot 1. See Table 29 for coding.
19:16	SLOT 1, LOW BYTE. Data output from the A low byte multiplexer for slot 1. See Table 29 for coding.
15:11	RESERVED. Set to 0.
10	ASSERT FSYNCX DURING SLOT 0. 1 = assert FSYNCX for this time slot. 0 = no FSYNCX.
9	ENABLE TO Cout DURING SLOT 0. 1 = route the data selected in 7:0 and SYNC enabled in bit 10 to the Cout and SYNCC pins. Provided for multiplexing A and B with C and D channels.
8	ENABLE TO Aout DURING SLOT 0. 1 = route the data selected in 7:0 and SYNC enabled in bit 10 to the Aout and SYNCA pins. Provided for multiplexing A and B with C and D channels.
7:4	SLOT 0, HIGH BYTE. Data output from the A high byte multiplexer for slot 0. See Table 29 for coding.
3:0	SLOT 0, LOW BYTE. Data output from the A low byte multiplexer for slot 0. See Table 29 for coding.

TABLE 25. XOUT DATA VERSUS TIME SLOT ROUTING, TIME SLOTS 2, 3 (IWA = 0*02h) RESET STATE = 0x00000000h

P(31:0)	FUNCTION
31:27	RESERVED. Set to 0.
26:16	SLOT 3 CONTROL (see Table 24)
15:11	RESERVED. Set to 0.
10:0	SLOT 2 CONTROL (see Table 24)

TABLE 26. XOUT DATA VERSUS TIME SLOT ROUTING, TIME SLOTS 4, 5 (IWA = 0*03h) RESET STATE = 0x00000000h

P(31:0)	FUNCTION
31:27	RESERVED. Set to 0.
26:16	SLOT 5 CONTROL (see Table 24)
15:11	RESERVED. Set to 0.
10:0	SLOT 4 CONTROL (see Table 24)

TABLE 27. XOUT DATA VERSUS TIME SLOT ROUTING, TIME SLOTS 6, 7 (IWA = 0*04h) RESET STATE = 0x00000000h

P(31:0)	FUNCTION
31:27	RESERVED.
26:16	SLOT 7 CONTROL (see Table 24)
15:11	RESERVED.
10:0	SLOT 6 CONTROL (see Table 24)

The ISL5416 can be programmed to respond to the synchronization inputs, SYNCIn1 and SYNCIn2, in a number of ways. This register controls the range control response to

the SYNC inputs. The response of the channels to the SYNC inputs is controlled by IWA = *000h. CLKO start up from SYNCIn1 or SYNCIn2 is controlled in IWA = 0000h.

TABLE 28. INPUT SYNCIn1/SYNCIn2 FUNCTION SELECT (IWA = 0*05h) RESET STATE = 0x00000000h

P(31:0)	FUNCTION
31	ENABLE SYNCIn2 TO RANGE CONTROL. 1 = range control block responds to SYNCIn2 according to bits 19:16 settings. 0 = range control block does not respond to SYNCIn2.
30:20	RESERVED. Set to 0.
19	READ UPDATE ON SYNCIn2. 1 = attenuator control accumulator contents are transferred to the read holding register on SYNCIn2.
18	LOAD ACCUMULATOR ON SYNCIn2. 1 = attenuator control accumulator is loaded from the uP load register (0*19) on a SYNCIn2.
17	RANGE CONTROL STARTUP ON SYNCIn2. 1 = enable range control on SYNCIn2 if 0*10, bit 1 is set. Range control is disabled on reset or by writing a zero to IWA = 0*10h, bit 0. If this bit is set, bit 0 of 0*10 is set on a SYNCIn2.
16	TIMING RESET ON SYNCIn2. 1 = reset range control timing on SYNCIn2 if 0*10, bit 1 is set. Once started, the timers will run until disabled (bit 1 of 0*10h or HW reset).
15	ENABLE SYNCIn1 TO RANGE CONTROL. 1 = range control block responds to SYNCIn1 according to bits 3:0 settings. 0 = range control block does not respond to SYNCIn1.
14:4	RESERVED. Set to 0.
3	READ UPDATE ON SYNCIn1. 1 = attenuator control accumulator contents are transferred to the read holding register on SYNCIn1.
2	LOAD ACCUMULATOR ON SYNCIn1. 1 = attenuator control accumulator is loaded from the uP load register (0*19) on a SYNCIn1.
1	RANGE CONTROL STARTUP ON SYNCIn1. 1 = enable VGA startup control on SYNCIn2 if 0*10, bit 1 is set. Range control is disabled on reset or by writing a zero to 0*10, bit 0. If this bit is set, bit 0 of 0*10 is set on a SYNCIn1. Disable on reset.
0	TIMING RESET ON SYNCIn1. 1 = reset range control timing on SYNCIn1 if 0*10, bit 1 is set. Once started, the timers will run until disabled (bit 1 of 0*10h or HW reset).

TABLE 29. HIGH, LOW BYTE DATA TYPE CODES (AFTER ROUNDING IN THE CHANNEL)

CODE	CHANNEL 0, CHANNEL 1 MUXES	CHANNEL 2, CHANNEL 3 MUXES
0000	CH 0 I(23:16)	CH 2 I(23:16)
0001	CH 0 I(15:8)	CH 2 I(15:8)
0010	CH 0 I(7:0)	CH 2 I(7:0)
0011	CH 0 Q(23:16)	CH 2 Q(23:16)
0100	CH 0 Q(15:8)	CH 2 Q(15:8)
0101	CH 0 Q(7:0)	CH 2 Q(7:0)
0110	CH 0 AGC(15:8)	CH 2 AGC(15:8)
0111	CH 0 AGC(7:0)	CH 2 AGC(7:0)
1000	CH 1 I(23:16)	CH 3 I(23:16)
1001	CH 1 I(15:8)	CH 3 I(15:8)
1010	CH 1 I(7:0)	CH 3 I(7:0)
1011	CH 1 Q(23:16)	CH 3 Q(23:16)
1100	CH 1 Q(15:8)	CH 3 Q(15:8)
1101	CH 1 Q(7:0)	CH 3 Q(7:0)
1110	CH 1 AGC(15:8)	CH 3 AGC(15:8)
1111	CH 1 AGC(7:0)	CH 3 AGC(7:0)

Serial Output:

When bit 31 of GWA = 0000h is set, the DOUT bus is used for serial outputs.

Four bits are allocated to each channel as follows:

TABLE 30. SERIAL OUTPUT BITS ALLOCATION

	CHANNEL 0	CHANNEL 1	CHANNEL 2	CHANNEL 3
SCLKX	DOUT0	DOUT4	DOUT8	DOUT12
SSYNCX	DOUT1	DOUT5	DOUT9	DOUT13
SD1X	DOUT2	DOUT6	DOUT10	DOUT14
SD2X	DOUT3	DOUT7	DOUT11	DOUT15

A common serial clock generator is used for all four outputs, so the four SCLKs are synchronous. Four separate outputs are provided to simplify PWB routing. Each SCLK output can be separately enabled, so that unused clock outputs can be turned off.

Serial outputs are always MSB first.

Addresses 0106h to 0108h control the serial output from channel 0.

Addresses 0206h to 0208h control the serial output from channel 1.

Addresses 0406h to 0408h control the serial output from channel 2.

Addresses 0806h to 0808h control the serial output from channel 3.

TABLE 31. SERIAL OUTPUT CONTROL (IWA = 0*06h) RESET STATE = 0x0000000h

P(31:0)	FUNCTION
31:30	RESERVED. Set to 0.
29	SCLK ENABLE. 1 = enable The serial clock generator is shared by the four serial outputs. A serial clock pin is provided for each output. Each pin can be enabled or disabled independent of the other channels.
28	SSYNCX POLARITY. 1 = Active Low. 0 = Active High. The SSYNCX signal is asserted for one serial clock period for each time slot where SSYNC is enabled.
27:26	RESERVED. Set to 0.
25:24	SSYNCX POSITION. 00 = Early SSYNC. SSYNCX is asserted during the serial clock period prior to the first data bit for each slot where SSYNC is enabled. 01 = Late SSYNC. SSYNCX is asserted during the serial clock period following the last data bit for each slot where SSYNC is enabled. 1X = Coincident SSYNC. SSYNCX is asserted during the serial clock period of first data bit for each slot where SSYNC is enabled.
23:20	RESERVED. Set to 0.
19:16	SD1X ROUTING MASK. These bits gate the serial output of each channel to any or all 4 serial output pins. The gated serial outputs from all of the channels are ORed together. This allows channels to be multiplexed together on a single serial output by offsetting the serial data streams from each other using the hold off delay below or by using empty time slots. Note that the serial data from each channel is zeroed after all of the slots have been output, so it will not interfere with a delayed channel. The multiplexing of the SSYNCX signals matches the data multiplexing. 19 - Enable the serial output to the SD1D pin. 18 - Enable the serial output to the SD1C pin. 17 - Enable the serial output to the SD1B pin. 16 - Enable the serial output to the SD1A pin.
15:12	SD2X ROUTING MASK. 15 - Enable the serial output to the SD2D pin. 14 - Enable the serial output to the SD2C pin. 13 - Enable the serial output to the SD2B pin. 12 - Enable the serial output to the SD2A pin.
11:0	OUTPUT HOLD OFF DELAY. These bits control a programmable hold off delay from the time a set of data samples is provided to the serial output section to the time that the serial output begins. The delay is programmed in serial clocks. Program with the desired number of serial clocks: 0 = no delay

TABLE 32. SERIAL OUTPUT SD1X SLOT CONTROL (IWA = 0*07h) RESET STATE = 0x0000000h

P(31:0)	FUNCTION
31	SLOT 4 SYNC ENABLE. 1 = SSYNCX active for this time slot 0 = no SSYNCX for this time slot
30:27	SLOT 4 WORD WIDTH. 0000 = 0-bit* 0001 = 4-bit 0010 = 6-bit 0011 = 8-bit 0100 = 10-bit 0101 = 12-bit 0110 = 16-bit 0111 = 20-bit 1000 = 24-bit 1001 = 32-bit (8 LSBs zeroed) All other codes are invalid. Note that if the channel output is rounded to fewer than 24 bits and fewer than 24 bits is selected for the slot width, the output will be doubly rounded. * if 0-bit is selected for slot 1, 2, or 3, one SCLK period will actually be used, though no data will be output.

TABLE 32. SERIAL OUTPUT SD1X SLOT CONTROL (IWA = 0*07h) RESET STATE = 0x00000000h

P(31:0)	FUNCTION
26:24	SLOT 4 DATA TYPE. 000 = zeros. 001 = I 010 = Q 011 = AGC (real time).
23:16	SLOT 3. See bits 31:24.
15:8	SLOT 2. See bits 31:24.
7:0	SLOT 1. See bits 31:24.

TABLE 33. SERIAL OUTPUT SD2X SLOT CONTROL (IWA = 0*08h) RESET STATE = 0x00000000h

P(31:0)	FUNCTION
31	RESERVED, Set to 0.
30:27	SLOT 4 WORD WIDTH. 0000 = 0-bit* 0001 = 4-bit 0010 = 6-bit 0011 = 8-bit 0100 = 10-bit 0101 = 12-bit 0110 = 16-bit 0111 = 20-bit 1000 = 24-bit 1001 = 32-bit (8 LSBs zeroed) All other codes are invalid. Note that if the channel output is rounded to fewer than 24 bits and fewer than 24 bits is selected for the slot width, the output will be doubly rounded. * if 0-bit is selected for slot 1, 2, or 3, one SCLK period will actually be used, though no data will be output.
26:24	SLOT 4 DATA TYPE. 000 = zeros. 001 = I 010 = Q 011 = AGC (sampled real time, not sampled by μ P write or real time updated every AGC input).
23:16	SLOT 3. See bits 31:24.
15:8	SLOT 2. See bits 31:24.
7:0	SLOT 1. See bits 31:24.

TABLE 34. RANGE CONTROL DC BLOCKING FILTER CONTROL (IWA = 0*09h) RESET STATE = 0x00000000h

P(31:0)	FUNCTION
31:19	RESERVED. Set to 0.
18	DC FILTER DISABLE. 1 = Clear filter based DC offset, shut off filter
17:16	DC FILTER GAIN. 00 = Widest 01 = Medium 10 = Narrowest (roughly 120 Hz HPF at 61.44 MSPS) 11 = use μ P programmed DC offset value
15:0	μ P LOADED DC OFFSET. Twos Complement. These bits are subtracted from the 16 mantissa bits. Bit 15 has the same weighting as XIN16 (MSB).

A/D Range Control Registers

The range control section monitors the output of the A/D and adjusts the RF/IF gain to maintain a desired A/D output range. The gain adjustments are in 6 dB steps. The levels, adjustment rates, and gain to bit mapping are programmable.

A code is programmed for output on the EOUT bus for each of the eight states of the three MSBs of the attenuator control register. These codes can be up to 8 bits, but if four gain control sections are used, only four bits are available for each gain control section. The routing of the gain control bits to EOUT bits is done in IWA = 0001h.

The range control registers will be explained later in:

IWA = 0*09h - 0*16h and IWA = 0*19h - 0*1Dh

Direct addresses 4-7 have a sequenced read mode for quickly reading I/Q output data, real time AGC gain, sampled AGC gain, or range control data. The read order is programmed in this register. The arrival of a new channel output sample resets the read pointer to the first data type. The rising edge of the \overline{RD} signal (or \overline{DSTRB} with RD/WR high in uP mode 1) will advance the pointer for that channel to the next data to get it set up at the interface for fast access. The CLK02 signal can be programmed as an interrupt signal for this mode (see GWA = 0000h, bit 13) to tell the processor when there is a new data. Alternatively, the frame strobe signals from the channels can be used.

TABLE 35. μ P SEQUENCED READ MODE, READ ORDER SELECT (IWA = 0*0Ah) RESET STATE = 0x0000000h

P(31:0)	FUNCTION
31	1 = Generate an interrupt with each new data output for this channel.
30:28	READ EIGHT. See bits 3:0. Mask off the MSB of the code.
27:24	READ SEVEN. See bits 3:0.
23:20	READ SIX. See bits 3:0.
19:16	READ FIVE. See bits 3:0
15:12	READ FOUR. See bits 3:0
11:8	READ THREE. See bits 3:0
7:4	READ TWO. See bits 3:0
3:0	READ ONE. (FIRST READ). 0000 = AGC Gain -- sampled by a write to IWA = *010h 0001 = AGC Gain -- real time (updated with every I/Q) 0010 = Q(7:0), 8 zeros 0011 = Q(24:8) 0100 = I(7:0), 8 zeros 0101 = I(24:8) 0110 = range control I&D (see IWA = 0*1Ch) 0111 = range accumulator (see IWA = 0*1Bh) Note that the I/Q data will be rounded to the number of bits programmed in IWA = *001h bits 5:3, and the real time AGC data will have the format selected in IWA = *001h, bits 2:0.

TABLE 36. ADC RANGE CONTROL -- MAIN (IWA = 0*10h) RESET STATE = 0x0000000h

P(31:0)	FUNCTION
31:24	IMMEDIATE HOLD OFF. Delay in clock cycles after the immediate threshold adjustment before another adjustment is allowed (00000000 = 1 clock delay). Load with the desired value minus one.
23:16	UPDATE EXPONENT DELAY. Delay in clock cycles from a change in the VGA value before it is added to the input exponent value. This should be set to equal the RF/ADC plus the ISL5416 pipeline delays (6 clocks).
15	DISABLE ACCUMULATOR UPDATES. 1 = disable range control accumulator updates. uP can still load.

TABLE 36. ADC RANGE CONTROL -- MAIN (IWA = 0*10h) RESET STATE = 0x00000000h (Continued)

P(31:0)	FUNCTION
14	TIME USING CLOCKS/SAMPLES. Count intervals and delays using clocks or input enables. 1 = clocks. 0 = input enables.
13:11	UPPER LIMIT. Upper attenuator control limit, 0 to 42 dB in 6 dB steps. 000 = 0 dB. 111 = 42 dB.
10:8	LOWER LIMIT. Lower attenuator control limit, 0 to 42 dB in 6 dB steps. 000 = 0 dB. 111 = 42 dB.
7:4	NORMALIZATION SHIFT/DIVIDE SELECT. Normalizing shifter control. Divides the integrated magnitude by 2^N prior to threshold comparison: accumulator input bits: $2^0 \dots 2^{-15}$ accumulator output bits: $2^{16} \dots 2^{-15}$ 0000 = select 2^1 to 2^{-14} 1111 = select $2^{16} \dots 2^1$
3	ENABLE INPUT EXPONENT BITS. Enable the exponent bits from the input to be added to the attenuation control bits and routed to the channel(s).
2	ENABLE RANGE CONTROL EXPONENT BITS. Enable the attenuator control register (accumulator MSBs) bits to be added to the exponent bits from the input and routed to the channel(s).
1	ENABLE RANGE CONTROL. 1 = enable the range control. 0 = disable the range control (including timers).
0	ENABLE RANGE CONTROL BITS Enable changes in the attenuator control register (if this bit is cleared, the timers still run but changes to the register are inhibited).
NOTE:	The range control can be enabled by writing to bit 0 or bit 0 can be set by SYNCInX to start updates. See IWA = 0*05h. Timing reset by SYNCInX is enabled by bits 0 and 16 of IWA = 0*05h.

**TABLE 37. TIME SLOT PERIOD, DELAY FROM SYNCInX TO START OF INTEGRATION (IWA = 0*11h) RESET STATE = 0x00000000h
THIS CONTROL IS SHARED FOR AIN/BIN AND FOR CIN/DIN**

P(31:0)	FUNCTION
31:16	SYNC DELAY. Delay from SYNC (external or counter generated) to the start of integration. Range of delay is 1 to 65536, load with the desired value minus 1. Delay in input samples or clocks as selected by bit 14, IWA = 0*10h.
15:0	SLOT PERIOD. Time interval between counter generated SYNCs in samples or clocks as selected by bit 14, IWA = 0*10h. Range for period is 2 to 65536, load with period minus 1.

**TABLE 38. NUMBER OF INTEGRATIONS PER SLOT, INTEGRATION TIME (IWA = 0*12h) RESET STATE = 0x00000000h
THIS CONTROL IS SHARED FOR AIN/BIN AND FOR CIN/DIN**

P(31:0)	FUNCTION
31:16	NUMBER OF INTEGRATIONS PER SLOT. Number of input magnitude integration periods per slot. Range is 1 to 32768, load with number of integrations minus 1.
15:0	INTEGRATION TIME. Number of input samples to average before making an upper or lower threshold decision in samples or clocks as selected by bit 14, IWA = 0*10h. Range is 2 to 65536, load with samples minus 1.

**TABLE 39. LOWER THRESHOLD, ATTENUATOR CHANGE (IWA = 0*13h) RESET STATE = 0x00000000h
THIS CONTROL IS SHARED FOR AIN/BIN AND FOR CIN/DIN**

P(31:0)	FUNCTION
31:30	RESERVED. Set to 0.
29:16	ATTENUATION STEP 3. Amount to decrease the attenuation control register if the average input magnitude is below the lower threshold. 14-bit value loads the LSBs of a 17-bit accumulator. The 3 MSBs of the 17-bit load are hard-wired to "111", so the load value should be masked from a negative number. The MSB of the 14-bit value is weighted at 6 dB so the value at all zeros would be ~12 dB (decrease in attenuation).
15:0	THRESHOLD 3. Lower threshold value. If the accumulated and normalized input magnitude is below this value, the attenuation control accumulator is adjusted by the amount programmed in bits 29:16.

**TABLE 40. UPPER THRESHOLD, ATTENUATOR CHANGE (IWA = 0*14h) RESET STATE = 0x00000000h
THIS CONTROL IS SHARED FOR AIN/BIN AND FOR CIN/DIN**

P(31:0)	FUNCTION
31:30	RESERVED. Set to 0.
29:16	ATTENUATION STEP 2. Amount to increase the attenuation control register if the average input magnitude is above the upper threshold. 14-bit value loads the LSBs of a 17-bit accumulator. The 3 MSBs of the 17-bit load are hard-wired to "000". The MSB of the 14-bit value is weighted at 6 dB so the value at all ones would be ~12 dB (increase in attenuation).
15:0	THRESHOLD 2. Upper threshold value. If the accumulated and normalized input magnitude is above this value, the attenuation control accumulator is adjusted by the amount programmed in bits 29:16.

**TABLE 41. IMMEDIATE THRESHOLD, ATTENUATOR GAIN (IWA = 0*15h) RESET STATE = 0x00000000h
THIS CONTROL IS SHARED FOR AIN/BIN AND FOR CIN/DIN**

P(31:0)	FUNCTION
31:30	RESERVED. Set to 0.
29:16	ATTENUATION STEP 1. Amount to increase the attenuation control register if the sample-by-sample input magnitude is above the immediate threshold. 14-bit value loads the LSBs of a 17-bit accumulator. The 3 MSBs of the 17-bit load are hard-wired to "000". The MSB of the 14-bit value is weighted at 6 dB so the value at all ones would be ~12 dB (increase in attenuation). This change happens immediately. Subsequent changes due to crossing this threshold are held off by the delay in location IWA = 0*10, bits 31:24.
15:0	THRESHOLD 1. Immediate threshold value. If the input magnitude is above this value, the attenuation control accumulator is adjusted by the amount programmed in bits 29:16.

NOTES ON THRESHOLDS:

The input range is -32768 to 32767 (0x8000 to 0x7FFF)

The magnitude range is 0 to 32768 (0x0000 to 0x8000)

The immediate threshold is 0 to 65536 (0x0000 to 0xFFFF)

The magnitude must be greater than the immediate threshold to trigger.

The integration period is 2 to 2^{16} .

The integrated magnitude range is 0x00000000 to 0x80000000

The normalization divider range is 2^1 to 2^{16} , so with the maximum dividers:

The averaged output is 0x0000 to 0x8000

The upper and lower thresholds are 0 to 65536 (0x0000 to 0xFFFF)

To trigger the upper and lower comparisons:

The magnitude must be greater than the upper threshold.

The magnitude must be less than lower threshold.

NOTES ON LOADING AND READING THE RANGE CONTROL ACCUMULATOR:

Master Bus -> Holding Register -> Accumulator -> Holding Register

The accumulator is 17 bits. The lower 16 bits are loaded from the micro-processor interface master register into a holding register. The MSB of the input holding register is always zero. The accumulator is loaded from the holding register. When the accumulator is read, the most significant 16 accumulator bits are returned (the LSB of the accumulator is not read).

TABLE 42.

ACCUMULATOR	16:0	X	X	X	X	X	X	X	X	X	X	X	X	X	X	X	X
MASTER	15:0		X	X	X	X	X	X	X	X	X	X	X	X	X	X	X
IWA = 0*19h	Z, 15:0	0	X	X	X	X	X	X	X	X	X	X	X	X	X	X	X
IWA = 0*1Bh	16:1	X	X	X	X	X	X	X	X	X	X	X	X	X	X	X	

Range Control bit weights are listed in Table 85 in the back of the data sheet.

TABLE 43. LEAK FACTOR (BIAS) (IWA = 0*16h) RESET STATE = 0x00000000h THIS CONTROL IS SHARED FOR AIN/BIN AND FOR CIN/DIN

P(31:0)	FUNCTION
31:16	UNUSED.
15:0	LEAK FACTOR. This signed value is added to the attenuator control register if the average input magnitude is between the upper and lower thresholds when updates are enabled (at the end of integration) S [S -1 . . . -15] into the 17-bit accumulator. MSB of 16 programmable bits (S) has a weight of -24 dB.

TABLE 44. GAIN MAPPING LOOK-UP TABLE REGISTER 1 (IWA = 0*17h) RESET STATE = 0x00000000h

P(31:0)	FUNCTION
31:24	ATTENUATION CODE 3 (18 dB code). 8 bit output code when the attenuation register MSBs = 011b. See output E routing control for bit to pin mapping.
23:16	ATTENUATION CODE 2 (12 dB code). 8 bit output code when the attenuation register MSBs = 010b. See output E routing control for bit to pin mapping.
15:8	ATTENUATION CODE 1 (6 dB code). 8 bit output code when the attenuation register MSBs = 001b. See output E routing control for bit to pin mapping.
7:0	ATTENUATION CODE 0 (0 dB code). 8 bit output code when the attenuation register MSBs = 000b. See output E routing control for bit to pin mapping.

TABLE 45. GAIN MAPPING LOOK-UP TABLE REGISTER 2 (IWA = 0*18h) RESET STATE = 0x00000000h

P(31:0)	FUNCTION
31:24	ATTENUATION CODE 7 (42 dB code). 8 bit output code when the attenuation register MSBs = 111b. See output E routing control for bit to pin mapping.
23:16	ATTENUATION CODE 6 (36 dB code). 8 bit output code when the attenuation register MSBs = 110b. See output E routing control for bit to pin mapping.
15:8	ATTENUATION CODE 5 (30 dB code). 8 bit output code when the attenuation register MSBs = 101b. See output E routing control for bit to pin mapping.
7:0	ATTENUATION CODE 4 (24 dB code). 8 bit output code when the attenuation register MSBs = 100b. See output E routing control for bit to pin mapping.

TABLE 46. μ P ATTENUATOR CONTROL ACCUMULATOR LOAD (IWA = 0*19h) RESET STATE = 0x00000000h

P(31:0)	FUNCTION
31:16	RESERVED. Set to 0.

TABLE 46. μ P ATTENUATOR CONTROL ACCUMULATOR LOAD (IWA = 0*19h) RESET STATE = 0x0000000h

P(31:0)	FUNCTION
15:0	ATTENUATOR LOAD VALUE. uP loading of attenuator control. MSB = 24 dB, next-MSB = 12 dB, etc. Only top three bits are used to address the look-up table.

TABLE 47. μ P ATTENUATOR CONTROL ACCUMULATOR LOAD STROBE (IWA = 0*1Ah) RESET STATE = INACTIVE

P(31:0)	FUNCTION
N/A	A write to this location generates a one-clock-wide strobe that transfers the μ P attenuator control register preload from IWA = 0*19h to the accumulator. The transfer can also be caused by a SYNCInX signal (see IWA = 0*05h)

TABLE 48. μ P ATTENUATOR CONTROL ACCUMULATOR READ STROBE (IWA = 0*1Bh) RESET STATE = INACTIVE

P(31:0)	FUNCTION
N/A	A write to this location generates a one-clock-wide strobe that transfers the contents of the attenuator control accumulator to a holding register to stabilize it for uP reading. The transfer can also be caused by a SYNCInX signal (see IWA = 0*05h). MSB = 48 dB (always zero). NOTE: 0x8000h is written to IWA = 0*19h is read 0x4000 here.

TABLE 49. μ P RANGE CONTROL STATUS READ STROBE (IWA = 0*1Ch) RESET STATE = INACTIVE

P(31:0)	FUNCTION
N/A	A write to this location generates a one-clock-wide strobe that transfers the contents of the range control (averaging) accumulator after normalization to a holding register to stabilize it for uP reading. bit 16 - 1 = Immediate threshold crossed since last read. 15:0 - Integrated magnitude after normalization (comparison value for average magnitude thresholds).

TABLE 50. μ P RANGE CONTROL DC OFFSET READ STROBE (IWA = 0*1Dh) RESET STATE = INACTIVE

P(31:0)	FUNCTION
N/A	A write to this location generates a one-clock-wide strobe that transfers the contents of the range control DC offset filter accumulator to a holding register to stabilize it for uP reading. 21:0 - Signed DC offset value +/- 0.25 * FULL SCALE (input) range.

Tables of Channel Indirect Write Address Registers

The response of the channels to the SYNCIn1 and SYNCIn2 inputs is controlled by IWA *000h. Bits 31:16 control the response to SYNCIn2 and bits 15:0 control the response to SYNCIn1. Most processing blocks can be individually reset by a SYNC. Some control registers are double buffered with the uP loading a master register and the data transfer to a

slave/active register occurring on either a write to a strobe IWA location or on a SYNCInX signal. Updating with a SYNCInX signal allows the functions in more than one ISL5416 to be updated simultaneously.

SET BITS TO 1 TO ENABLE.

TABLE 51. CHANNEL RESET/SYNCIn1, SYNCIn2 CONTROL (IWA = *000h) RESET STATE = 0x00000000h

P(31:0)	FUNCTION
31	CHANNEL SYNCIn2 ENABLE. Enables channel overall response to SYNCIn2.
30	RESERVED. Set to 0.
29	SERIAL OUTPUT. Reset the serial output section on SYNCIn2. This will reset the serial clock divider if GWA = 0000h, bit 29 is set.
28	FIFO. Reset the FIFO at the IHBF/Resampler input on SYNCIn2.
27	LEAP COUNTER. Reset the IHBF/Resampler leap counter on SYNCIn2.
26	RESAMPLER NCOs. Reset back end - resampler NCOs on SYNCIn2.
25	FIFO/INTERPOLATION HALF BAND FILTER/RESAMPLER. Reset back end (Interpolation Half Band Filter, Resampler, Decimation Counter, and FIFO) on SYNCIn2.
24	AGC RESET. Resets AGC processing on SYNCIn2 and sets the AGC gain to 0 dB (or to the lower limit if greater than 0 dB).
23	AGC TIMING. Resets AGC timing on SYNCIn2.
22	FIR2 RESET. Resets FIR2 on SYNCIn2. Resets the datapath registers and decimation counter.
21	FIR1 RESET. Resets FIR1 on SYNCIn2. Resets the datapath registers and decimation counter.
20	CIC RESET. Resets the CIC on SYNCIn2.
19	RESAMPLER UPDATE. Update (start) the resampler NCOs frequency from the master/holding register to the slave/active register on SYNCIn2.
18	AGC GAIN LOAD. Update/load AGC gain from the master/holding register to the slave/active register on SYNCIn2.
17	CARRIER CENTER FREQUENCY UPDATE. Updates Carrier Center Frequency from the master/holding register to the slave/active register on SYNCIn2.
16	DATA PATH UPDATE. Update channel processing control register (*001) from the master/holding register to the slave/active register on SYNCIn2.
15	CHANNEL SYNCIn1 ENABLE. Enables channel overall response to SYNCIn1.
14	RESERVED. Set to 0.
13	SERIAL OUTPUT. Reset the serial output section on SYNCIn1. This will reset the serial clock divider if GWA = 0000h, bit 29 is set.
12	FIFO. Reset the FIFO at the IHBF/Resampler input on SYNCIn1.
11	LEAP COUNTER. Reset the IHBF/Resampler leap counter on SYNCIn1.
10	RESAMPLER NCOs. Reset back end - resampler NCOs on SYNCIn1.
9	FIFO/INTERPOLATION HALF BAND FILTER/RESAMPLER. Reset back end (Interpolation Half Band Filter, Resampler, Decimation Counter, and FIFO) on SYNCIn1.
8	AGC RESET. Resets AGC processing on SYNCIn1 and sets the AGC gain to 0 dB (or to the lower limit if greater than 0 dB).
7	AGC TIMING. Resets AGC timing on SYNCIn1.
6	FIR2 RESET. Resets FIR2 on SYNCIn1. Resets the datapath registers and decimation counter.
5	FIR1 RESET. Resets FIR1 on SYNCIn1. Resets the datapath registers and decimation counter.
4	CIC RESET. Resets the CIC on SYNCIn1.
3	RESAMPLER UPDATE. Update (start) resampler NCOs frequency from the master/holding register to the slave/active register on SYNCIn1.

TABLE 51. CHANNEL RESET/SYNCIn1, SYNCIn2 CONTROL (IWA = *000h) RESET STATE = 0x0000000h (Continued)

P(31:0)	FUNCTION
2	AGC GAIN LOAD. Update/load AGC gain from the master/holding register to the slave/active register on SYNCIn1.
1	CARRIER CENTER FREQUENCY UPDATE. Updates Carrier Center Frequency from the master/holding register to the slave/active register on SYNCIn1.
0	DATA PATH UPDATE. Update channel processing control register (*001) on SYNCIn1.

The channel processing control register enables and disables the major processing blocks in the channel. This register is double buffered. On reset, the slave/active register is cleared, disabling the processing in the channel. The processing is

enabled by updating the slave register with either a write to location IWA *019h or by a SYNCIn signal, if enabled (see IWA *000h).

TABLE 52. CHANNEL PROCESSING CONTROL (IWA = *001h) RESET STATE = 0x0000000h

P(31:0)	FUNCTION															
31:29	<p>COF ENABLE. This is a serial carrier offset frequency control loaded through the DIN bus at the clock rate. The serial bits are shown in table 53. MSB justified with unused LSBs zeroed. COF is shifted in one bit per clock, MSB first. COFSYNC is one-clock-wide, active high pulse, asserted during the clock period before the first bit (MSB). The offset frequency is added to the center frequency loaded by the μP. The offset word is a 32-bit twos complement value.</p> <p>0XX = disabled. 100 = 8 bits offset. 101 = 16 bits offset. 110 = 24 bits offset. 111 = 32 bits offset.</p> <p>TABLE 53. COF and COFSYNC to DIN BIT MAPPING</p> <table border="1"> <thead> <tr> <th>CHANNEL</th> <th>COF</th> <th>COFSYNC</th> </tr> </thead> <tbody> <tr> <td>0</td> <td>DIN16</td> <td>DIN15</td> </tr> <tr> <td>1</td> <td>DIN12</td> <td>DIN11</td> </tr> <tr> <td>2</td> <td>DIN8</td> <td>DIN7</td> </tr> <tr> <td>3</td> <td>DIN4</td> <td>DIN3</td> </tr> </tbody> </table>	CHANNEL	COF	COFSYNC	0	DIN16	DIN15	1	DIN12	DIN11	2	DIN8	DIN7	3	DIN4	DIN3
CHANNEL	COF	COFSYNC														
0	DIN16	DIN15														
1	DIN12	DIN11														
2	DIN8	DIN7														
3	DIN4	DIN3														
28:23	RESERVED. Set to 0.															
22	<p>HOIF INTERPOLATE BY 1. 1 = Set this bit to enable HOIF in the IHBFB/RESAMPLER block. This is provided to use the HOIF as a phase (time) shift with no rate change.</p>															
21	<p>AGC BYPASS. 1 = bypass AGC; 0 = AGC enabled.</p>															
20	<p>AGC TIMER ENABLE. 1 = timing counters in the AGC are enabled. 0 = timing counters in the AGC are disabled. Note: Counters must be enabled if one of the timed modes is selected in register IWA = *008h.</p>															
19:17	<p>CHANNEL INPUT SELECT. 000 = disabled. 001 = uP test register (IWA = 0002h) used as an input, always enabled. 010 = uP test register used as an input, enabled by a strobe at IWA = 0003h. 011 = reserved. 100 = AIN. 101 = BIN. 110 = CIN. 111 = DIN.</p>															

TABLE 52. CHANNEL PROCESSING CONTROL (IWA = *001h) RESET STATE = 0x0000000h (Continued)

P(31:0)	FUNCTION
16	PN NOISE ENABLE. PN noise is added to the output of the mixer at the level selected in location IWA = *006h. This bit enables the PN generator to the channel. When 0, IWA = *006h will be a DC offset. 1 = PN added to the mixer output. 0 = PN disabled.
15	CIC FILTER ENABLE. 1 = CIC filter enabled (minimum decimation is 2). 0 = CIC filter disabled (the CIC shifter is used for floating point to fixed point conversion).
14:13	CIC TO FIR1 GAIN ADJUST. The 24-bit output from the NCO/Mixer/CIC Block to FIR1 is scaled and rounded to 20 bits. Saturation detection is included. This gain stage is always present in the data path. 00 = x1. 01 = x2. 10 = x4. 11 = x8.
12	FIR1 ENABLE. 1 = FIR1 enabled. 0 = FIR1 bypassed.
11:10	FIR1 TO FIR2 GAIN ADJUST. The 24-bit output from the FIR1 Block to FIR2 is scaled and rounded to 20 bits. Saturation detection is included. This gain stage is always present in the data path. 00 = x1. 01 = x2. 10 = x4. 11 = x8.
9	FIR2 ENABLE. 1 = FIR2 enabled. 0 = FIR2 bypassed.
8	INTERPOLATION HALF BAND FILTER ENABLE. 1 = IHBF enabled. 0 = IHBF bypassed.
7	RESAMPLER ENABLE. 1 = Resampler enabled. 0 = Resampler bypassed.
6	LEAP COUNTER ENABLE. 1 = Resampler leap counter enabled. 0 = Resampler leap counter disabled.
5:3	I/Q OUTPUT ROUNDING. I and Q data busses to the output section are rounded to the selected number of MSBs. Bits below the programmed number of bits are zeroed. 000 = 24 bits, data on bits 23:0. 001 = 20 bits, data on bits 23:4, bits 3:0 zeroed. 010 = 16 bits, data on bits 23:8, bits 7:0 zeroed. 011 = 12 bits, data on bits 23:12, bits 11:0 zeroed. 100 = 8 bits, data on bits 23:16, bits 15:0 zeroed. 101 = 6 bits, data on bits 23:18, bits 17:0 zeroed. 110 = 4 bits, data on bits 23:20, bits 19:0 zeroed. 111 = reserved.

TABLE 58. NCO/MIXER/CIC CONTROL (IWA = *005h) RESET STATE = 0x0000000h

P(31:0)	FUNCTION
18:16	CIC STAGES. Number of CIC integrator/comb pairs (1-5). Stages are enabled starting with the largest accumulator. 000 = 1 stage; 001 = 2 stages; 010 = 3 stages; 011 = 4 stages; 100 = 5 stages; Load with the number of stages minus 1.
15:0	CIC DECIMATION FACTOR. Load with (decimation - 1).

TABLE 59. PN GAIN (IWA = *006h) RESET STATE = 0x0000000h

P(31:0)	FUNCTION
31:16	UNUSED.
15:0	PN LEVEL. Level of the PN generator data that is added to the mixer output when the PN generator is enabled in IWA = *001h, bit 16.

TABLE 60. FIR1, FIR2, POST-RESAMPLER CONTROL (IWA = *007h) RESET STATE = 0x0000000h

P(31:0)	FUNCTION
31:19	UNUSED.
18:16	DECIMATION OF THE RESAMPLER DECIMATOR BLOCK. Load with the desired decimation factor minus one. 000 = Decimation of 1 111 = Decimation of 8
15	RESERVED. Set to 0.
14:12	FIR2 REQUIRED CLOCKS. This value should be set to: ceil (#TAPS/8) - 1.
11	RESERVED. Set to 0.
10:8	FIR2 DECIMATION. Available decimation through FIR2 block is 1-8. Set the value to: decimation factor - 1.
7	FIR1 ENABLE HBF MODE. 1 = Half Band Filter mode. 0 = normal mode.
6:4	FIR1 REQUIRED CLOCKS. Set to: ceil (#TAPS/4) - 1.
3	RESERVED. Set to 0.
2:0	FIR1 DECIMATION. Available decimation through FIR1 block is 1-8. Set the value to: decimation factor - 1.

TABLE 61. AGC CONTROL, MEAN/MEDIAN, DELAY, MODE (IWA = *008h) RESET STATE = 0x0000000h

P(31:0)	FUNCTION
31:16	UNUSED.
15	RESERVED. Set to 0.
14	REAL TIME AGC GAIN OUTPUT SOURCE. 0 = the continuously updated loop filter output is provided to the output section as the "real time" AGC gain. 1 = the sampled loop filter output (sampled when the interval count is 0) is provided to the output section as the "real time" AGC gain.
13:8	DATA DELAY. This value is the number of samples that data is delayed to allow for AGC settling. 0x00 = no delay. 0x3F = 1 sample ... 0x01 = 63 samples.
7	LOOP GAIN 1 MEAN/MEDIAN. 1 = AGC settles to mean of the signal if LG1 is selected. 0 = AGC settles to median of the signal.

TABLE 61. AGC CONTROL, MEAN/MEDIAN, DELAY, MODE (IWA = *008h) RESET STATE = 0x00000000h (Continued)

P(31:0)	FUNCTION																																		
6	LOOP GAIN 2 MEAN/MEDIAN. 1 = AGC settles to mean of the signal if LG2 is selected. 0 = AGC settles to median of the signal.																																		
5	uP LOOP GAIN SELECT. Set to: 1 = loop gain 2. 0 = loop gain 1.																																		
4	uP LOOP GAIN CONTROL. Set to: 1 = uP loop gain select. 0 = counter controlled loop gain select.																																		
3	DISABLE LOOP FILTER UPDATE. Set to: 1 = disable loop filter (holds the last value, the uP can load). 0 = normal AGC operation.																																		
2	SAMPLED MODE. 1 = continuous forward gain updates. 0 = the forward gain held during the interval count (when loop gain 1 is used). The forward gain is continuously updated after the interval count (when loop gain 2 is used).																																		
1	ENABLE DELAY. Set to: 1 = enable delay 0 = no delay NOTE: Delay must be enabled for Sampled Mode.																																		
0	RESERVED. Set to 0.																																		
TABLE 62. CONTROL BIT SETTINGS FOR AGC MODES																																			
<table border="1" style="width: 100%; border-collapse: collapse;"> <thead> <tr> <th rowspan="2">AGC MODE</th> <th colspan="2">IWA=*001h</th> <th colspan="2">IWA = *008h</th> </tr> <tr> <th>BIT 20</th> <th>BIT 4</th> <th>BIT 2</th> <th>BIT 1</th> </tr> </thead> <tbody> <tr> <td>CONTINUOUS UPDATE μP controls loop gain</td> <td style="text-align: center;">0</td> <td style="text-align: center;">1</td> <td style="text-align: center;">1</td> <td style="text-align: center;">0</td> </tr> <tr> <td>CONTINUOUS WITH DELAY</td> <td style="text-align: center;">0</td> <td style="text-align: center;">1</td> <td style="text-align: center;">1</td> <td style="text-align: center;">1</td> </tr> <tr> <td>TIMED LOOP GAIN SELECTION</td> <td style="text-align: center;">1</td> <td style="text-align: center;">0</td> <td style="text-align: center;">1</td> <td style="text-align: center;">0</td> </tr> <tr> <td>TIMED WITH DELAY</td> <td style="text-align: center;">1</td> <td style="text-align: center;">0</td> <td style="text-align: center;">1</td> <td style="text-align: center;">1</td> </tr> <tr> <td>SAMPLED GAIN UPDATES (always with delay)</td> <td style="text-align: center;">1</td> <td style="text-align: center;">0</td> <td style="text-align: center;">0</td> <td style="text-align: center;">1</td> </tr> </tbody> </table>		AGC MODE	IWA=*001h		IWA = *008h		BIT 20	BIT 4	BIT 2	BIT 1	CONTINUOUS UPDATE μP controls loop gain	0	1	1	0	CONTINUOUS WITH DELAY	0	1	1	1	TIMED LOOP GAIN SELECTION	1	0	1	0	TIMED WITH DELAY	1	0	1	1	SAMPLED GAIN UPDATES (always with delay)	1	0	0	1
AGC MODE	IWA=*001h		IWA = *008h																																
	BIT 20	BIT 4	BIT 2	BIT 1																															
CONTINUOUS UPDATE μP controls loop gain	0	1	1	0																															
CONTINUOUS WITH DELAY	0	1	1	1																															
TIMED LOOP GAIN SELECTION	1	0	1	0																															
TIMED WITH DELAY	1	0	1	1																															
SAMPLED GAIN UPDATES (always with delay)	1	0	0	1																															

TABLE 63. THRESHOLD (SET POINT) (IWA = *009h) RESET STATE = 0x00000000h

P(31:0)	FUNCTION												
31:16	UNUSED.												
15:0	<p>SET POINT. Bit weights: 2^A 2 1 0. 1 2 3 4 5 6 7 8 9 0 1 2 3, 2^0 is the full scale vector magnitude on one axis before the magnitude computation gain is applied. Note: There is a gain in the magnitude computation prior to the threshold compare. The gain versus number of clocks is:</p> <table style="width: 100%; border-collapse: collapse;"> <thead> <tr> <th>CLOCKS</th> <th>GAIN</th> </tr> </thead> <tbody> <tr> <td>16</td> <td>1.64676</td> </tr> <tr> <td>8</td> <td>1.647</td> </tr> <tr> <td>4</td> <td>1.642</td> </tr> <tr> <td>3</td> <td>1.630</td> </tr> <tr> <td>2</td> <td>1.581</td> </tr> </tbody> </table> <p>The set point should be programmed to the desired level times the magnitude gain.</p>	CLOCKS	GAIN	16	1.64676	8	1.647	4	1.642	3	1.630	2	1.581
CLOCKS	GAIN												
16	1.64676												
8	1.647												
4	1.642												
3	1.630												
2	1.581												

TABLE 64. UPPER/LOWER GAIN LIMIT (IWA = *00Ah) RESET STATE = 0x00000000h

P(31:0)	FUNCTION
31:16	UPPER LIMIT. E E E M M M M M M M M M M M M M M 01.MMMMMMMMMMMM * 2 ^{EEEE} Example: A gain of 48 (33.6 dB) would be: 1.5 * 2 ⁵ or 0101100000000000
15:0	LOWER LIMIT. Same weighting as upper limit.

TABLE 65. LOOP GAINS (1 & 2) (IWA = *00Bh) RESET STATE = 0x00000000h

P(31:0)	FUNCTION
31:24	ATTACK 1. Loop gain value used for increasing signal levels (decreasing gain). Bits 31:28 are the exponent, bits 27:24 are the mantissa. Loop gain is 0.MMMM * 2 ^{EEEE} . A loop gain of 00000000 weights the error by 2 ⁻¹⁹ to the input of the accumulator.
23:16	DECAY 1. Loop gain value used for decreasing signal levels (increasing gain).
15:8	ATTACK 2. Loop gain value used for increasing signal levels (decreasing gain). Bits 15:12 are the exponent, bits 11:8 are the mantissa. Loop gain is 0.MMMM * 2 ^{EEEE} . A loop gain of 00000000 weights the error by 2 ⁻¹⁹ to the input of the accumulator.
7:0	DECAY 2. Loop gain value used for decreasing signal levels (increasing gain).

TABLE 66. AGC COUNTER PRELOADS 1 (IWA = *00Ch) RESET STATE = 0x00000000h

P(31:0)	FUNCTION
31:16	SLOT PERIOD (IN CLOCKS). Sets the timing interval (slot period) counter period. The interval counter can be reset by SYNCInX (see IWA = *000h) to align it to the system timing. Load with number of clocks minus 1.
15:0	DELAY (In Clocks). Sets the delay from the start of the timing interval (bits (31:16 above) to the start of the interval set in IWA = *00Dh. Load with number of clocks minus 1.

TABLE 67. AGC COUNTER PRELOADS 2 (IWA = *00Dh) RESET STATE = 0x00000000h

P(31:0)	FUNCTION
31:16	UNUSED.
15:0	ADJUSTMENT INTERVAL (In Clocks). Sets the length of the adjustment period for timed AGC changes. (when loop gain 2 is used in timed and sampled modes). Load with number of clocks minus 1.

TABLE 68. AGC uP GAIN LOAD VALUE (IWA = *00Eh) RESET STATE = 0x00000000h

P(31:0)	FUNCTION
31:16	UNUSED.
15:0	GAIN. This location allows the uP to set the AGC gain directly. If the gain loaded by the uP is outside the limits set in IWA = *00Ah, it will be set to the limit value. To set a fixed gain, set the loop gains to zero and the limits to full scale (or set both limits to the desired gain). Bit weightings are the same as for the limits: EEEE MMMM MMMM MMMM.

TABLE 69. AGC uP GAIN LOAD STROBE (IWA = *00Fh) RESET STATE = INACTIVE

N/A	FUNCTION
N/A	STROBE. Writing to this location generates a strobe, synchronized to the clock, that updates the AGC with the gain value in register IWA = *00Eh. The transfer can also be caused by a SYNCInX signal (see IWA = *000h).

TABLE 70. READBACK SAMPLE AGC GAIN AND MAGNITUDE (IWA = *010h) RESET STATE = INACTIVE

N/A	FUNCTION
N/A	STROBE. Writing to this location copies the AGC loop filter accumulator contents to a holding register to stabilize it for reading by the uP at direct addresses 4 - 7. (The magnitude is read at this location after the strobe. Magnitude bit weightings are: 2 ² . . . 2 ⁻¹³)

TABLE 71. NCO 1 OUTPUT RATE -- TOP 32 BITS (IWA = *011h) RESET STATE = 0x0000000h

P(31:0)	FUNCTION
31:0	RSout(48:16). This NCO sets the re-sampler output sample rate when the IHBF/Resampler block is enabled. If the HOIF is bypassed, this is 2x the AGC (and FIR2) output rate. NOTE that the re-sampler only interpolates. The re-sampler output can be decimated using a counter. The decimation is programmed in IWA = *007h, bits 18:16. $F_{out} = F_s * RSout / (2^{48})$, where RSout = 0 to $2^{48} - 1$, Fout = 0 to $\sim F_s$. Bits 48:16 of the active register are read back at this location. If HOIF is enabled, then F_{out} must be $\leq F_{CLK}/2$ If IHBF is enabled, HOIF disabled, then F_{out} must be $\leq F_{CLK}$

TABLE 72. NCO 1 OUTPUT RATE -- LOWER 16 BITS (IWA = *012h) RESET STATE = 0x0000000h

P(31:0)	FUNCTION
31:16	RSout(15:0). See IWA = *011h. Bits 15:0 of the active register are read back at this location.
15:0	UNUSED.

TABLE 73. NCO 2 INPUT RATE -- TOP 32 BITS (IWA = *013h) RESET STATE = 0x0000000h

P(31:0)	FUNCTION
31:0	RSin(48:16). This NCO sets the output sample rate for the FIFO (input sample rate to the IHBF/Resampler block) when the IHBF/Resampler block is enabled. If the HOIF is bypassed, this has no effect. $Fin = F_{out} * RSin / (2^{48})$, where RSin = 0 to $2^{48} - 1$, Fin = 0 to $\sim F_{out}$. Fin should be set equal to the output sample rate of FIR2 ($F_s / (CICdec1 * FIR1dec1 * FIR2dec1)$). Bits 48:16 of the active register are read back at this location.

TABLE 74. NCO 2 INPUT RATE -- LOWER 16 BITS (IWA = *014h) RESET STATE = 0x0000000h

P(31:0)	FUNCTION
31:16	RSin(15:0). See IWA = *013. Bits 15:0 of the active register are read back at this location.
15:0	UNUSED.

Register IWA = *015h is used to add delay to a channel. The output timing is unaffected (except at startup from reset), but the group delay of the channel is adjusted. If the IHBF and HOIF are both enabled, the total delay range is 0 to 1023/256 FIR2 output sample periods. NOTE: The HOIF can be enabled with no rate change by setting the NCO2 register (IWA = *013h and *014h) to zero and setting the bit 22 of IWA = *001h.

TABLE 75. PHASE OFFSET (IWA = *015h) RESET STATE = 0x0000000h

P(31:0)	FUNCTION
31:11	RESERVED. Set to 0.
10:9	FIFO DEPTH. After reset, the FIFO waits until it reaches a depth of 2 + this value (total of 2, 3, 4, or 5) before allowing FIFO reads. These bits can be used to add delay in increments of the FIR2 output sample rate. HOIF or IHBF must be enabled.
8	HOIF INPUT DELAY. 1 = one HOIF input sample delay is added. HOIF must be enabled.
7:0	RESAMPLER PHASE OFFSET. Allows the output sample timing to be shifted in increments of 1/256 the HOIF input period. 00 = least delay. FF = most delay. HOIF must be enabled.

TABLE 76. LEAP COUNTER (IWA = *016h) RESET STATE = 0x00000000h

P(31:0)	FUNCTION
31:0	LEAP COUNTER PRELOAD. When the leap counter reaches zero, it resets the phase accumulators in NCO1 and NCO2 to zero (if enabled). Because some frequencies cannot be represented exactly by the NCO control word, this function is provided to zero out any error that builds up due to the limited NCO resolution. Load with the desired number of clocks between resets minus 1. Note that the ceiling function should be used when computing the NCO frequency control words so that the NCOs build up a positive phase error and phase accumulator carries are not suppressed.

TABLE 77. RESAMPLER FREQUENCY/PHASE UPDATE STROBE (IWA = *017h) RESET STATE = INACTIVE

N/A	FUNCTION
N/A	STROBE. A write to this location transfers the contents of IWA = *011/*012h and IWA = *013/*014h holding registers to the active resampler NCO frequency registers. The transfer can also be caused by a SYNCInX signal (see IWA = *000h).

TABLE 78. CHANNEL SOFT RESET (IWA = *018h) RESET STATE = INACTIVE

N/A	FUNCTION
N/A	SOFT RESET. A write to this location generates a soft reset of the channel. This clears the slave registers of master/slave pairs and stops processing in the channel.

TABLE 79. UPDATE DATA PATH CONTROL REGISTER (IWA = *019h) RESET STATE = INACTIVE

N/A	FUNCTION
N/A	STROBE. A write to this location updates the active data path control register from its holding register. The transfer can also be caused by a SYNCInX signal (see IWA = *000h). The active register is cleared on reset, disabling channel processing, so this update is used to synchronously start the channel processing.

TABLE 80. ADVANCE (IWA = *01Ah) RESET STATE = INACTIVE

N/A	FUNCTION
N/A	STROBE. A write to this location repeats one sample at the output of the CIC. Should only be used if there is sufficient overhead for processing an extra sample.

Locations IWA = *01A and *01B delete or repeat a sample at the input to FIR1 to shift the system timing. These locations should not be used if the IHBF or re-sampler is enabled.

TABLE 81. RETARD (IWA = *01Bh) RESET STATE = INACTIVE

N/A	FUNCTION
N/A	STROBE. A write to this location deletes one sample at the output of the CIC.

TABLE 82. FIR 1 COEFFICIENTS (32 x 20) (IWA = *100h THRU *11Fh) RESET STATE = INACTIVE

P(31:0)	FUNCTION
31:20	UNUSED.
19:0	COEFFICIENTS. Twos complement -524287 to +524287 (-524288 not allowed). +524288 would be unity gain.

TABLE 83. FIR 2 COEFFICIENTS (64 x 20) (IWA = *200h THRU *23Fh) RESET STATE = UNDEFINED

P(31:0)	FUNCTION
31:20	UNUSED.
19:0	COEFFICIENTS. Twos complement -524287 to +524287 (-524288 not allowed). +524288 would be unity gain.

TABLE 83. FIR 2 COEFFICIENTS (64 x 20) (IWA = *200h THRU *23Fh) RESET STATE = UNDEFINED

P(31:0)	FUNCTION
	<p>Each multiplier has up to 8 coefficients. If the six bit coefficient addresses are labeled M2 M1 M0 C2 C1 C0, where the M-bits select the multiplier (000 is the first multiplier encountered by the data samples), and the C-bits select the coefficient (000 is the first coefficient encountered by the data samples). M2 is not used for FIR1.</p> <p>For example, if an eight tap filter is used for FIR1, the coefficients would be loaded:</p> <p>(earliest)</p> <p>C0 --- 000000 (*100h)</p> <p>C1 --- 000001</p> <p>C2 --- 001000</p> <p>C3 --- 001001</p> <p>C4 --- 010000</p> <p>C5 --- 010001</p> <p>C6 --- 011000</p> <p>C7 --- 011010 (*11Ah)</p> <p>When the Half Band Filter mode is enabled for FIR1, the zero valued zero crossing coefficients are not loaded, but the coefficients must be centered around the hard wired center tap. This means that zeros valued coefficients must be added if the number of coefficients per multiplier is not uniform. For example, with an 11-tap Half Band Filter with coefficients:</p> <p>C0, 0, C1, 0, C2, 0.5, C3, 0, C4, 0, C5,</p> <p>the coefficient loading would be:</p> <p>0 ---- 000000 (*100h)</p> <p>C0 --- 000001</p> <p>C1 --- 001000</p> <p>C2 --- 001001</p> <p>C3 --- 010000</p> <p>C4 --- 010001</p> <p>C5 --- 011000</p> <p>0 ---- 011001 (*119h)</p> <p>The filter computation requires two clock cycles for the computation. Due to the added zero-valued coefficients, the group delay has increased from 6 to 8 sample periods.</p>

Absolute Maximum Ratings

Supply Voltage	2.5 (core) 4.6 (I/O's)
Input, Output or I/O Voltage	GND -0.5V to 5.5V
ESD Classification	Class I

Operating Conditions

Voltage Range I/O, V_{CCIO}	+3.135V to +3.465V
Voltage Range core, V_{CCC}	+1.71V to +1.89V
Temperature Range	
Industrial	-40°C to 85°C
Input Low Voltage	0V to +0.8V
Input High Voltage	2V to I/O V_{CCIO}

CAUTION: Stresses above those listed in "Absolute Maximum Ratings" may cause permanent damage to the device. This is a stress only rating and operation of the device at these or any other conditions above those indicated in the operational sections of this specification is not implied.

NOTE: NOTE: θ_{JA} is measured with the component mounted on a high effective thermal conductivity test board with "direct attach" features in free air or with the airflow. See Tech Brief TB379 for details

Thermal Information

Thermal Resistance (Typical)	θ_{JA} (°C/W)
256 Lead BGA Package	31
w/200 LFM Air Flow	28
w/400 LFM Air Flow	26
Maximum Junction Temperature	150°C
Maximum Storage Temperature Range	-65°C to 150°C

For recommended soldering conditions see Tech Brief 334.

Electrical Specifications V_{CCC} = Core supply: 1.8V ± 0.09V, T_A = -40°C to 85°C, Industrial

PARAMETER	SYMBOL	TEST CONDITIONS	MIN	TYPICAL	MAX	UNITS
Logical One Input Voltage	V_{IH}	$V_{CCIO} = 3.45V$	2.0			V
Logical Zero Input Voltage	V_{IL}	$V_{CCIO} = 3.15V$			0.8	V
Output High Voltage	V_{OH}	$I_{OH} = -2mA, V_{CCC} = 3.15V$	2.6	3		V
Output Low Voltage	V_{OL}	$I_{OL} = 2mA, V_{CCC} = 3.15V$		0.1	0.4	V
Input Leakage Current	I_I	$V_{IN} = V_{CCIO}$ or GND, $V_{CCIO} = 3.465V$	-10	< 1 (NOTE 3)	10	μA
Output Leakage Current	I_O	$V_{IN} = V_{CCIO}$ or GND, $V_{CCIO} = 3.465V$	-10		10	μA
Standby Power Supply Current (core)	$I_{CCSB-CR}$	$V_{CCC} = 1.89V$, See AC Test load circuit, No CLK			12 (NOTE 6)	mA
Standby Power Supply Current (I/O's)	$I_{CCSB-IO}$	$V_{CCC} = 1.89V$, See AC Test load circuit, No CLK			0.75	mA
Operating Power Supply Current (core)	$I_{CCOP-CR}$	$f = 80MHz, V_{IN} = V_{CCC}$ or GND, $V_{CCC} = 1.89V$, See AC Test load circuit,			660	mA
Operating Power Supply Current (I/O's)	$I_{CCOP-IO}$	$f = 80MHz, V_{IN} = V_{CCC}$ or GND, $V_{CCC} = 1.89V$, See AC Test load circuit,			150	mA
Operating Power Supply Core Current (typical)	$I_{CCOP-TYP}$	$f = 80MHz, V_{IN} = V_{CCC}$ or GND, $V_{CCC} = 1.89V$, See AC Test load circuit,		500 (NOTE 1, 4)		mA
Input Capacitance	C_{IN}	Freq = 1MHz, V_{CCC} open, all measurements are referenced to device ground			5	pF (Note 2)
Output Capacitance	C_{OUT}				5	pF (Note 2)

NOTES:

- Power Supply current is proportional to frequency of operation and programmed configuration of the part. Typical rating for I_{CCOP} is 6.5 mA/MHz.
- Capacitance: $T_A = 25^\circ C$, controlled via design or process parameters and not directly tested. Characterized upon initial design and at major process or design changes.
- Typical Pull-up/down resistance values are 60 kΩ.
- Typical measured power on the Evaluation board:
 - UMTS: CLK = 76.8 MHz, Total Power = 1.1 W (core current = 500 mA; I/O current = 60 mA)
 - CDMA2000: CLK = 80 MHz, Total Power = 750 mW (core current = 360 mA; I/O current = 30 mA).

Electrical Specifications $V_{CC} = \text{Core supply: } 1.8V \pm 0.09V, V_{CCIO} = \text{IO's supply: } 3.3V \pm 0.165V, T_A = -40^{\circ}\text{C to } 85^{\circ}\text{C Industrial}$

PARAMETER	SYMBOL	MIN	MAX	UNITS
INPUT AND CONTROL TIMING, CLOCK SKEW (FIGURE 11 AND 12)				
CLKC Frequency	f_{CLK}	-	95	MHz
CLKC High	t_{CH}	3	-	ns
CLKC Low	t_{CL}	4	-	ns
Setup Time - Data Inputs, Input Enables to CLKX High	t_{DS}	5.5	-	ns
Hold Time - Data Inputs, Input Enables to CLKX High	t_{DH}	0	-	ns
Setup Time - SYNCInX to CLKC High	t_{SYNCS}	3		
Hold Time - SYNCInX to CLKC High	t_{SYNCH}	0		
CLKC to Output Valid - SYNCO	t_{PDC}	-	5	ns
$\overline{\text{RESET}}$ Pulse Width Low	t_{RW}	5	-	ns
$\overline{\text{RESET}}$ Setup Time to CLKC High (Note 5)	t_{RS}	5	-	ns
CLKX to CLKC skew 1 (FIGURE 12)	t_{CKS1}	2.5		
CLKX to CLKC skew 2 (FIGURE 12)	t_{CKS2}	2.5		
MICROPROCESSOR WRITE TIMING ($\mu\text{P mode} = 0$, FIGURE 13)				
P(15:0) Setup Time to Rising Edge of $\overline{\text{WR}}$	t_{PSW}	7.5	-	ns
P(15:0) Hold Time from Rising Edge of $\overline{\text{WR}}$	t_{PHW}	-1	-	ns
A(2:0) Setup Time to Rising Edge of $\overline{\text{WR}}$	t_{ASW}	8.5	-	ns
A(2:0) Hold Time from Rising Edge of $\overline{\text{WR}}$	t_{AHW}	-2	-	ns
$\overline{\text{CE}}$ Setup Time to Rising Edge of $\overline{\text{WR}}$	t_{CSW}	7	-	ns
$\overline{\text{CE}}$ Hold Time from Rising Edge of $\overline{\text{WR}}$	t_{CHW}	-2	-	ns
$\overline{\text{WR}}$ Low Time	t_{WPWL}	5	-	ns
MICROPROCESSOR READ TIMING ($\mu\text{P mode} = 0$, FIGURE 14)				
A(2:0) Hold Time from RISING Edge of $\overline{\text{RD}}$ (Note 7)	t_{AHR}	-4	-	ns
A(2:0) to P(15:0) Data Valid Time	t_{DV}	-	19	ns
$\overline{\text{RD}}$ Enable Time	t_{RE}	-	8.5	ns
$\overline{\text{RD}}$ Disable Time (Note 6)	t_{RD}	-	6	ns
$\overline{\text{CE}}$ Setup Time to Falling Edge of $\overline{\text{RD}}$	t_{CSF}	2.5	-	ns
$\overline{\text{CE}}$ Hold Time from Rising Edge of $\overline{\text{RD}}$ (Note 6)	t_{CHR}	0	-	ns
READ Cycle Time (Note 7)	t_{RCY}	25	-	ns
MICROPROCESSOR WRITE TIMING ($\mu\text{P MODE} = 1$, FIGURE 15)				
P(15:0) Setup Time to Rising Edge of $\overline{\text{DSTRB}}$	t_{PSR}	8	-	ns
P(15:0) Hold Time from Rising Edge of $\overline{\text{DSTRB}}$	t_{PHR}	-0.5	-	ns
A(2:0) Setup Time to Rising Edge of $\overline{\text{DSTRB}}$	t_{ASR}	7.5	-	ns
A(2:0) Hold Time from Rising Edge of $\overline{\text{DSTRB}}$	t_{AHR}	-1.5	-	ns
$\overline{\text{CE}}$ Setup Time to Rising Edge of $\overline{\text{DSTRB}}$	t_{CSR}	8	-	ns
$\overline{\text{CE}}$ Hold Time from Rising Edge of $\overline{\text{DSTRB}}$	t_{CHR}	-2	-	ns
$\overline{\text{R/W}}$ Setup Time to Falling Edge of $\overline{\text{DSTRB}}$	$t_{R/W\text{SF}}$	0	-	ns
$\overline{\text{R/W}}$ Hold Time from Rising Edge of $\overline{\text{DSTRB}}$	$t_{R/W\text{HR}}$	-1	-	ns
$\overline{\text{DSTRB}}$ Low Time	t_{DW}	6	-	ns
MICROPROCESSOR READ TIMING ($\mu\text{P MODE} = 1$, FIGURE 16)				
A(2:0) Hold Time from RISING Edge of $\overline{\text{DSTRB}}$ (Note 7)	t_{AHR}	-1	-	ns
A(2:0) to P(15:0) Data Valid Time	t_{DV}	-	16	ns

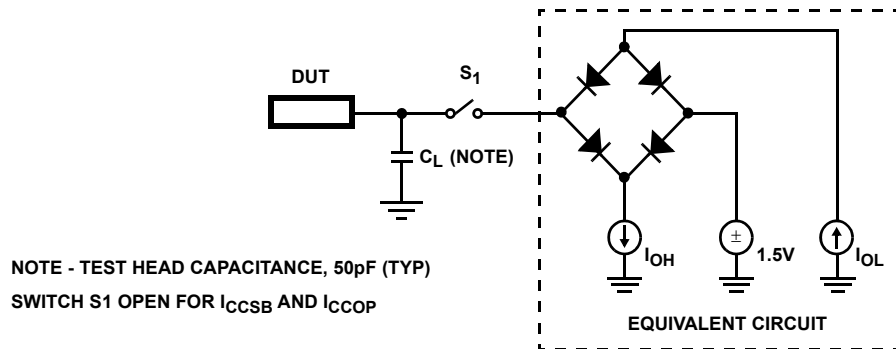
Electrical Specifications $V_{CC} =$ Core supply: $1.8V \pm 0.09V$, $V_{CCIO} =$ IO's supply: $3.3V \pm 0.165V$, $T_A = -40^{\circ}C$ to $85^{\circ}C$ Industrial

PARAMETER	SYMBOL	MIN	MAX	UNITS
\overline{DSTRB} Enable Time	t_{RE}	-	14	ns
\overline{DSTRB} Disable Time (Note 6)	t_{RD}	-	6.5	ns
\overline{CE} Setup Time to Falling Edge of \overline{DSTRB}	t_{CSF}	7.5	-	ns
\overline{CE} Hold Time from Rising Edge of \overline{DSTRB} (Note 7)	t_{CHR}	-2	-	ns
\overline{DSTRB} Low Time	t_{DW}	5	-	ns
READ Cycle Time (Note 8)	t_{RCY}	25		ns
JTAG TIMING (FIGURE 17)				
TDI, TMS Set Up	T_{STT}	4.5		ns
TDI, TMS Hold	T_{HTT}	1.5		ns
TCLK TO TDO VALID	TOV_{TDO}		7	ns
TCLK TO TDO DISABLED	TOD_{TDO}		7	ns
TCLK TO TDO ENABLED	TOE_{TDO}		7	ns
CAPTURE INPUT SETUP TIME	t_{ISTP}	5		ns
CAPTURE INPUT HOLD TIME	t_{IHLD}	1.5		ns
TCLK TO OUTPUT VALID (Note 6)	t_{DVLD}	2	6	ns
CLOCK OUTPUT TIMING AND OUTPUT ENABLES (FIGURE 18)				
CLKC to Parallel Data, FSYNCX and CLKO1 (Divide-by 2 thru 16 Modes)	t_{PD}	2 (NOTE 6)	6.5	ns
CLKC Low to CLKO1 Low (Divide-by 1 Mode)	t_{PDL}	2 (NOTE 6)	6.5	ns
CLKC High to CLKO1 High (Divide-by 1 Mode)	t_{PDH}	2 (NOTE 6)	6.5	ns
Time Skew Between CLKO1 and Parallel Data or FSYNCX (Divide-by 2 thru 16 Modes)	t_{SKEW3}	-1.5	1.5	ns
Time Skew Between CLKO1 and Parallel Data or FSYNCX (Divide-by 1 Mode)	t_{SKEW4}	-2.5	1.5	ns
OUTPUT ENABLE TIME	t_{OEN}		6	ns
OUTPUT DISABLE TIME	t_{ODIS}		4	ns

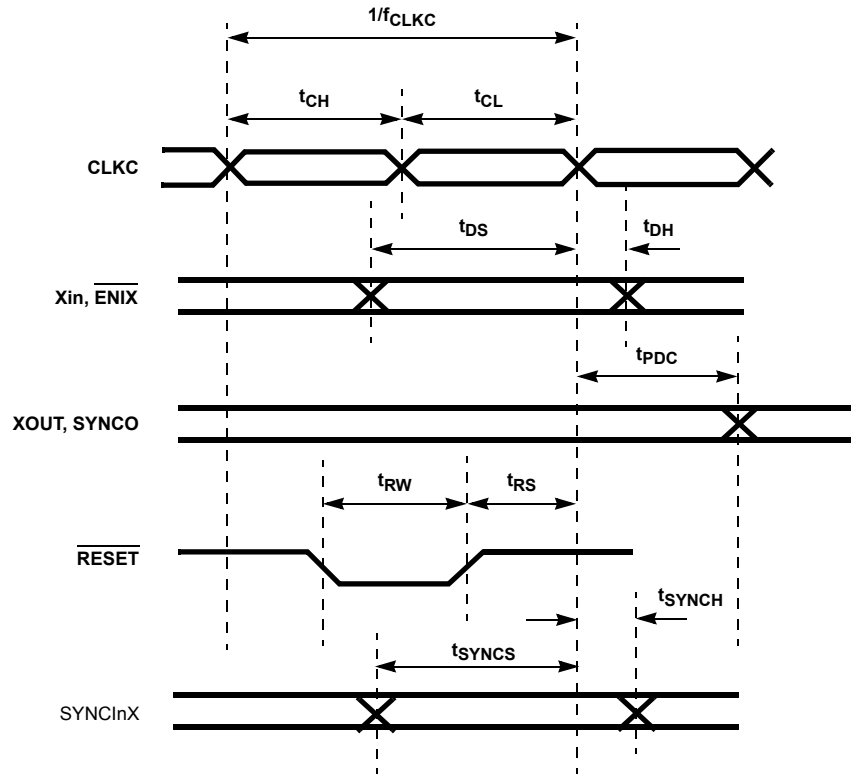
NOTES:

- The ISL5416 goes into reset immediately on \overline{RESET} going low and comes out of reset on the 4th rising edge of CLK after \overline{RESET} goes high.
- Controlled via design or process parameters and not directly tested. Characterized upon initial design and at major process or design changes.
- t_{AHR} and t_{CHR} apply ONLY to direct reads of addresses 4 - 7.
- Reading from direct addresses 4 - 7 (Sequential Read Mode).

AC Test Load Circuit



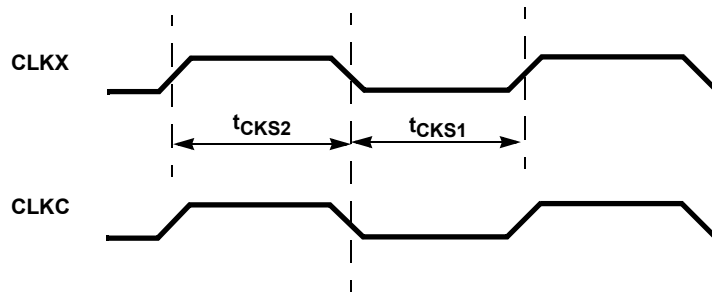
Waveforms



X = A, B, C or D

LOW to HIGH edge for active HIGH clock
HIGH to LOW edge for active LOW clock

FIGURE 11. CONTROL TIMING



X = A, B, C or D

FIGURE 12. CLOCK SKEWS

Waveforms (Continued)

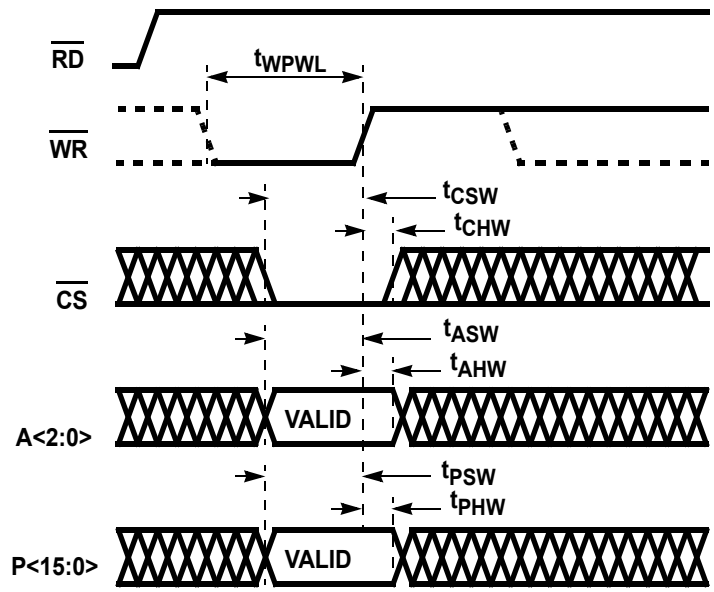


FIGURE 13. MICROPROCESSOR WRITE TIMING (μP mode = 0)

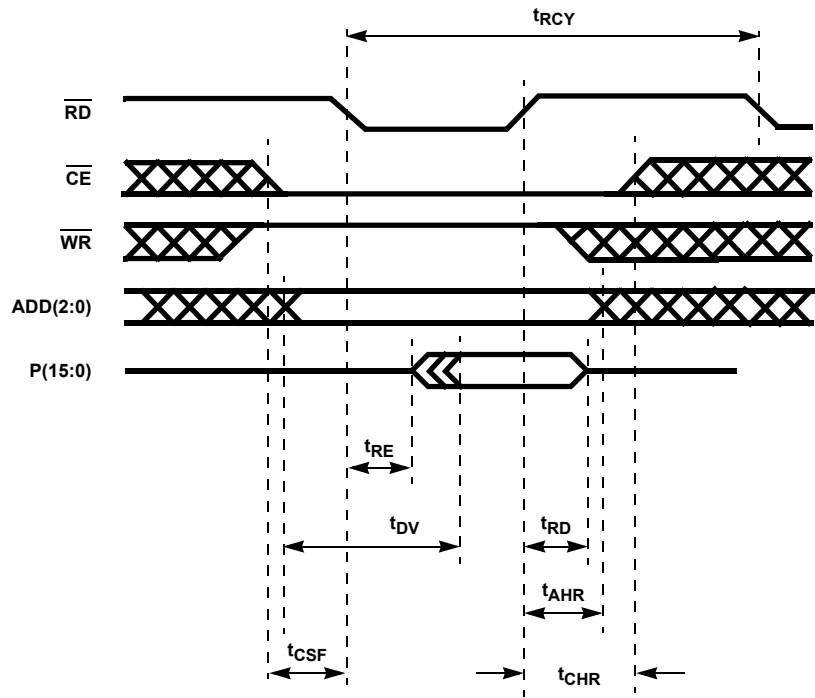


FIGURE 14. MICROPROCESSOR READ TIMING (μP mode = 0)

Waveforms (Continued)

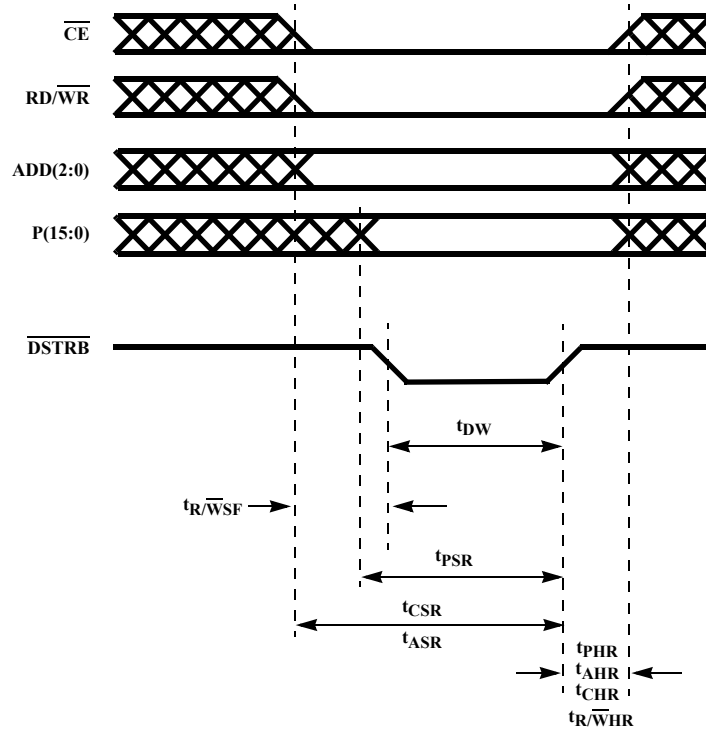


FIGURE 15. MICROPROCESSOR WRITE TIMING (μP mode = 1)

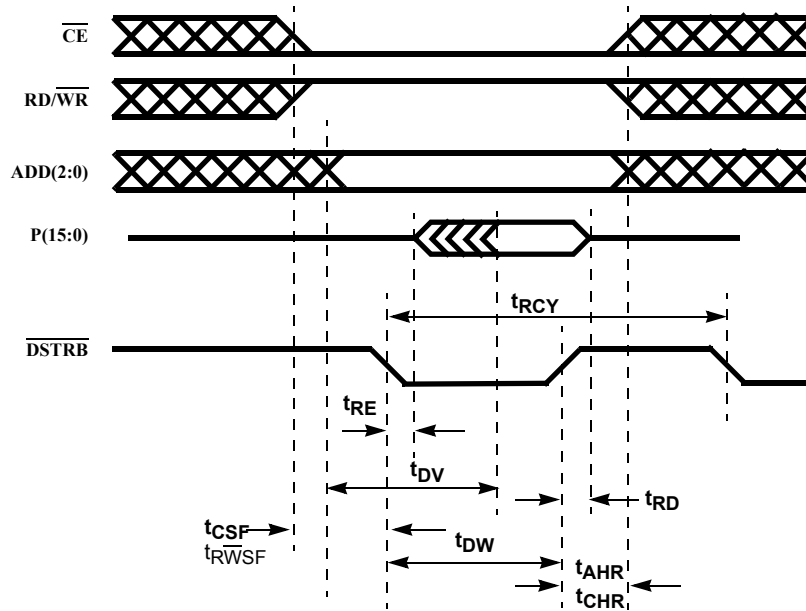


FIGURE 16. MICROPROCESSOR READ TIMING (μP mode = 1)

Waveforms (Continued)

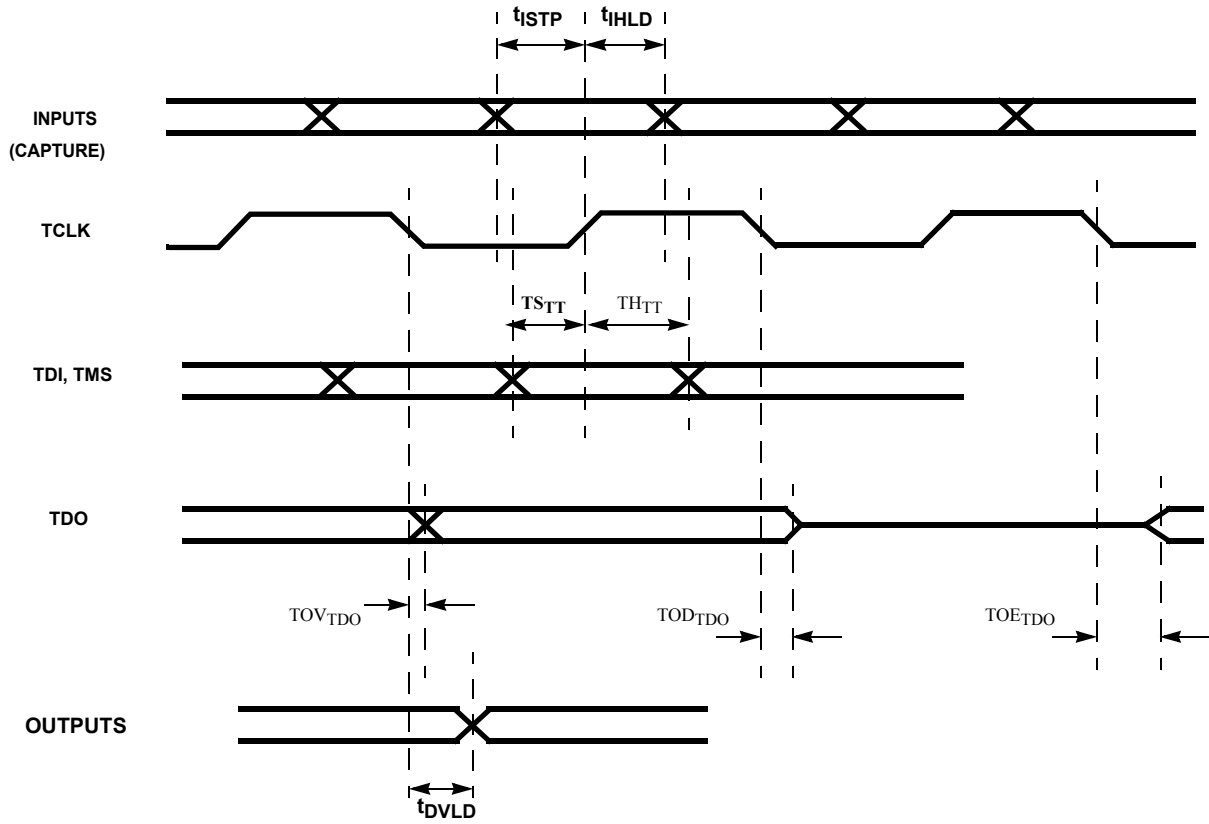


FIGURE 17. JTAG TIMING

Waveforms (Continued)

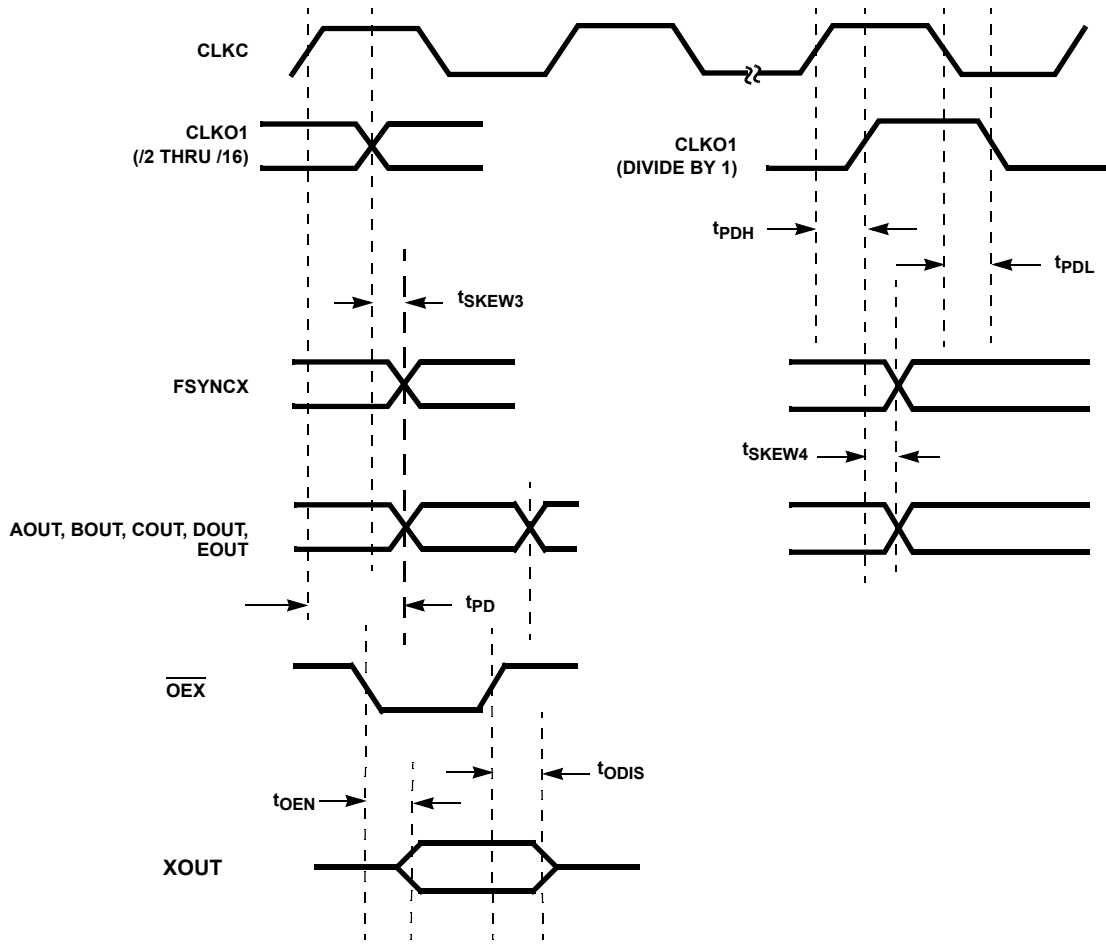


FIGURE 18. OUTPUT TIMING

TABLE 84. CIC PASSBAND AND ALIAS LEVELS

FREQUENCY f_s / R	5TH ORDER		4TH ORDER		3RD ORDER		2ND ORDER		1ST ORDER	
	PASSBAND	ALIAS	PASSBAND	ALIAS	PASSBAND	ALIAS	PASSBAND	ALIAS	PASSBAND	ALIAS
0	0	<-200	0	<-200	0	<-200	0	<-200	0	<-200
0.01	-0.007	-199.564	-0.006	-159.651	-0.004	-119.738	-0.003	-79.825	-0.001	-39.913
0.02	-0.029	-169.041	-0.023	-135.233	-0.017	-101.425	-0.011	-67.617	-0.006	-33.808
0.03	-0.064	-151.023	-0.051	-120.818	-0.039	-90.614	-0.026	-60.409	-0.013	-30.205
0.04	-0.114	-138.129	-0.091	-110.503	-0.069	-82.877	-0.046	-55.252	-0.023	-27.626
0.05	-0.179	-128.048	-0.143	-102.438	-0.107	-76.829	-0.071	-51.219	-0.036	-25.610
0.06	-0.257	-119.749	-0.206	-95.799	-0.154	-71.849	-0.103	-47.900	-0.051	-23.950
0.07	-0.351	-112.683	-0.280	-90.146	-0.210	-67.610	-0.140	-45.073	-0.070	-22.537
0.08	-0.458	-106.522	-0.367	-85.218	-0.275	-63.913	-0.183	-42.609	-0.092	-21.304
0.09	-0.580	-101.054	-0.464	-80.843	-0.348	-60.633	-0.232	-40.422	-0.116	-20.211
0.10	-0.717	-96.135	-0.573	-76.908	-0.430	-57.681	-0.287	-38.454	-0.143	-19.227
0.11	-0.868	-91.662	-0.694	-73.330	-0.521	-54.997	-0.347	-36.665	-0.174	-18.332
0.12	-1.034	-87.558	-0.827	-70.047	-0.620	-52.535	-0.413	-35.023	-0.207	-17.512
0.13	-1.214	-83.766	-0.971	-67.013	-0.728	-50.260	-0.486	-33.507	-0.243	-16.753
0.14	-1.409	-80.241	-1.127	-64.193	-0.846	-48.145	-0.564	-32.096	-0.282	-16.048
0.15	-1.619	-76.947	-1.295	-61.558	-0.972	-46.168	-0.648	-30.779	-0.324	-15.389
0.16	-1.844	-73.855	-1.475	-59.084	-1.107	-44.313	-0.738	-29.542	-0.369	-14.771
0.17	-2.084	-70.943	-1.667	-56.754	-1.251	-42.566	-0.834	-28.377	-0.417	-14.189
0.18	-2.340	-68.189	-1.872	-54.551	-1.404	-40.913	-0.936	-27.276	-0.468	-13.638
0.19	-2.610	-65.579	-2.088	-52.463	-1.566	-39.347	-1.044	-26.231	-0.522	-13.116
0.20	-2.896	-63.098	-2.317	-50.478	-1.737	-37.859	-1.158	-25.239	-0.579	-12.620
0.21	-3.197	-60.734	-2.558	-48.587	-1.918	-36.440	-1.279	-24.294	-0.639	-12.147
0.22	-3.514	-58.477	-2.811	-46.782	-2.108	-35.086	-1.406	-23.391	-0.703	-11.695
0.23	-3.847	-56.319	-3.077	-45.055	-2.308	-33.792	-1.539	-22.528	-0.769	-11.264
0.24	-4.195	-54.252	-3.356	-43.402	-2.517	-32.551	-1.678	-21.701	-0.839	-10.850
0.25	-4.560	-52.269	-3.648	-41.815	-2.736	-31.361	-1.824	-20.907	-0.912	-10.454
0.26	-4.941	-50.363	-3.953	-40.291	-2.965	-30.218	-1.976	-20.145	-0.988	-10.073
0.27	-5.338	-48.531	-4.271	-38.825	-3.203	-29.119	-2.135	-19.412	-1.068	-9.706
0.28	-5.752	-46.767	-4.602	-37.413	-3.451	-28.060	-2.301	-18.707	-1.150	-9.353
0.29	-6.183	-45.066	-4.946	-36.053	-3.710	-27.040	-2.473	-18.026	-1.237	-9.013
0.30	-6.631	-43.426	-5.305	-34.740	-3.978	-26.055	-2.652	-17.370	-1.326	-8.685
0.31	-7.096	-41.842	-5.677	-33.473	-4.257	-25.105	-2.838	-16.737	-1.419	-8.368
0.32	-7.578	-40.311	-6.063	-32.249	-4.547	-24.187	-3.031	-16.125	-1.516	-8.062
0.33	-8.078	-38.832	-6.463	-31.066	-4.847	-23.299	-3.231	-15.533	-1.616	-7.766
0.34	-8.596	-37.401	-6.877	-29.921	-5.158	-22.440	-3.439	-14.960	-1.719	-7.480
0.35	-9.133	-36.015	-7.306	-28.812	-5.480	-21.609	-3.653	-14.406	-1.827	-7.203
0.36	-9.688	-34.674	-7.750	-27.739	-5.813	-20.804	-3.875	-13.869	-1.938	-6.935
0.37	-10.262	-33.374	-8.209	-26.699	-6.157	-20.024	-4.105	-13.349	-2.052	-6.675
0.38	-10.854	-32.114	-8.684	-25.691	-6.513	-19.268	-4.342	-12.845	-2.171	-6.423
0.39	-11.467	-30.892	-9.174	-24.713	-6.880	-18.535	-4.587	-12.357	-2.293	-6.178
0.40	-12.099	-29.707	-9.679	-23.766	-7.260	-17.824	-4.840	-11.883	-2.420	-5.941
0.41	-12.752	-28.557	-10.201	-22.846	-7.651	-17.134	-5.101	-11.423	-2.550	-5.711
0.42	-13.425	-27.442	-10.740	-21.953	-8.055	-16.465	-5.370	-10.977	-2.685	-5.488
0.43	-14.119	-26.359	-11.295	-21.087	-8.472	-15.815	-5.648	-10.544	-2.824	-5.272
0.44	-14.835	-25.308	-11.868	-20.246	-8.901	-15.185	-5.934	-10.123	-2.967	-5.062
0.45	-15.573	-24.287	-12.458	-19.430	-9.344	-14.572	-6.229	-9.715	-3.115	-4.857
0.46	-16.333	-23.296	-13.066	-18.637	-9.800	-13.978	-6.533	-9.318	-3.267	-4.659
0.47	-17.116	-22.334	-13.693	-17.867	-10.270	-13.400	-6.847	-8.933	-3.423	-4.467
0.48	-17.923	-21.399	-14.339	-17.119	-10.754	-12.840	-7.169	-8.560	-3.585	-4.280
0.49	-18.754	-20.492	-15.003	-16.393	-11.253	-12.295	-7.502	-8.197	-3.751	-4.098
0.50	-19.610	-19.610	-15.688	-15.688	-11.766	-11.766	-7.844	-7.844	-3.922	-3.922

TABLE 85. ISL5416 RANGE CONTROL BIT WEIGHTING

	G	F	E	D	C	B	A	9	8	7	6	5	4	3	2	1	0.	1	2	3	4	5	6	7	8	9	A	B	C	D	E	F
INPUT																	S	X	X	X	X	X	X	X	X	X	X	X	X	X	X	X
DC OFFSET																	S	X	X	X	X	X	X	X	X	X	X	X	X	X	X	X
MAGNITUDE	0	0	0	0	0	0	0	0	0	0	0	0	0	0	0	0	X	X	X	X	X	X	X	X	X	X	X	X	X	X	X	
IMMEDIATE THRESHOLD																	X	X	X	X	X	X	X	X	X	X	X	X	X	X	X	
ACCUMULATOR SHIFT:	0	X	X	X	X	X	X	X	X	X	X	X	X	X	X	X	X	X	X	X	X	X	X	X	X	X	X	X	X	X		
0000																	X	X	X	X	X	X	X	X	X	X	X	X	X	X		
0001																X	X	X	X	X	X	X	X	X	X	X	X	X	X	X		
0010														X	X	X	X	X	X	X	X	X	X	X	X	X	X	X	X	X		
0011													X	X	X	X	X	X	X	X	X	X	X	X	X	X	X	X	X	X		
0100												X	X	X	X	X	X	X	X	X	X	X	X	X	X	X	X	X	X	X		
0101											X	X	X	X	X	X	X	X	X	X	X	X	X	X	X	X	X	X	X	X		
0110										X	X	X	X	X	X	X	X	X	X	X	X	X	X	X	X	X	X	X	X	X		
0111									X	X	X	X	X	X	X	X	X	X	X	X	X	X	X	X	X	X	X	X	X	X		
1000							X	X	X	X	X	X	X	X	X	X	X	X	X	X	X	X	X	X	X	X	X	X	X	X		
1001						X	X	X	X	X	X	X	X	X	X	X	X	X	X	X	X	X	X	X	X	X	X	X	X	X		
1010					X	X	X	X	X	X	X	X	X	X	X	X	X	X	X	X	X	X	X	X	X	X	X	X	X	X		
1011				X	X	X	X	X	X	X	X	X	X	X	X	X	X	X	X	X	X	X	X	X	X	X	X	X	X	X		
1100			X	X	X	X	X	X	X	X	X	X	X	X	X	X	X	X	X	X	X	X	X	X	X	X	X	X	X	X		
1101		X	X	X	X	X	X	X	X	X	X	X	X	X	X	X	X	X	X	X	X	X	X	X	X	X	X	X	X	X		
1110	X	X	X	X	X	X	X	X	X	X	X	X	X	X	X	X	X	X	X	X	X	X	X	X	X	X	X	X	X	X		
1111	0	X	X	X	X	X	X	X	X	X	X	X	X	X	X	X	X	X	X	X	X	X	X	X	X	X	X	X	X	X		
SHIFTER OUTPUT																	X	X	X	X	X	X	X	X	X	X	X	X	X	X		
THRESHOLD 1, THRESHOLD 2																	X	X	X	X	X	X	X	X	X	X	X	X	X	X		
dB VALUE							24	12	6																							
GAIN ACCUMULATOR							0	X	X	X	X	X	X	X	X	X	X	X	X	X	X	X	X	X	X	X	X	X	X	X		
uP DELTA PROGRAMMED										X	X	X	X	X	X	X	X	X	X	X	X	X	X	X	X	X	X	X	X	X		
DELTA3 (LOWER)							1	1	1	X	X	X	X	X	X	X	X	X	X	X	X	X	X	X	X	X	X	X	X	X		
DELTA 2 (UPPER)							0	0	0	X	X	X	X	X	X	X	X	X	X	X	X	X	X	X	X	X	X	X	X	X		
DELTA 1 (IMMED.)							0	0	0	X	X	X	X	X	X	X	X	X	X	X	X	X	X	X	X	X	X	X	X	X		
uP LOAD BITS							0	X	X	X	X	X	X	X	X	X	X	X	X	X	X	X	X	X	X	X	X	X	X	X		
LEAK							S	S	X	X	X	X	X	X	X	X	X	X	X	X	X	X	X	X	X	X	X	X	X	X		
LIMITS TO MAPPING LUT							0	X	X	X																						

TABLE 86. AGC BIT WEIGHTS

AGC BIT WEIGHTS	F	E	D	C	B	A	9	8	7	6	5	4	3	2	1	0.	1	2	3	4	5	6	7	8	9	0	1	2	3	4	5	6	7	8	9
FORWARD GAIN PATH INPUTS I/Q																S.	1	2	3	4	5	6	7	8	9	0	1	2	3	4	5	6	7	8	9

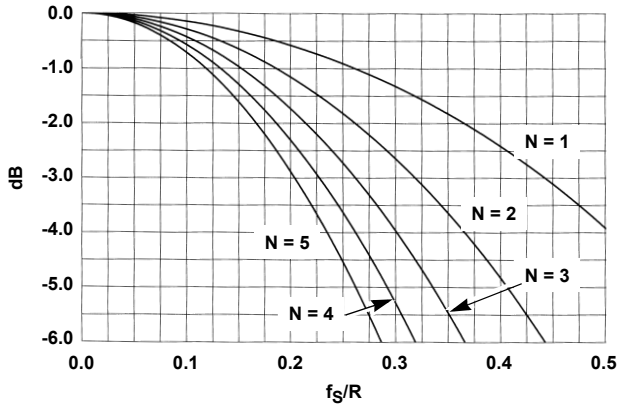


FIGURE 19. CIC PASSBAND ROLLOFF (N = # OF STAGES, R = DECIMATION FACTOR, $f_s/R = 1$ IS CIC OUTPUT RATE)

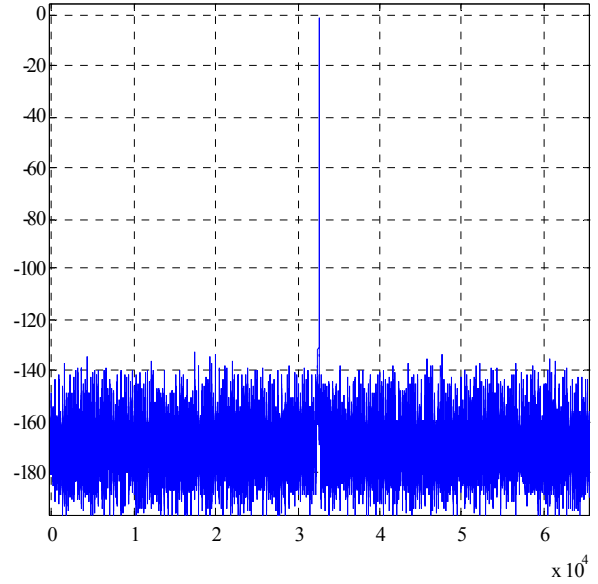


FIGURE 20. A TYPICAL CARRIER NCO SPECTRUM PLOT (65536 POINT FFT, BLACKMAN WINDOW, 800 Hz BIN NBW (29 dB). PEAK BIN IS AT -132 dBc, NOISE FLOOR AT -190 dBc/Hz.

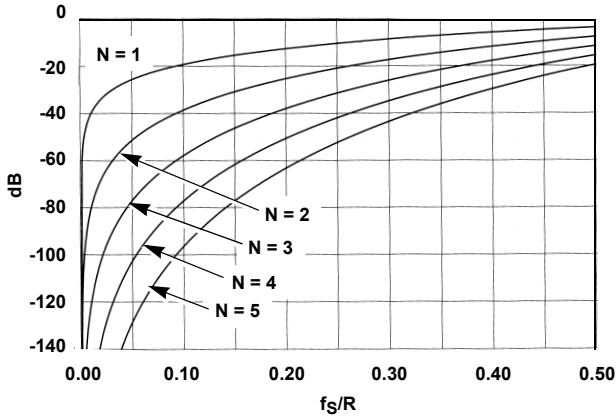


FIGURE 19A. CIC FIRST ALIAS LEVEL (N = # OF STAGES, R = DECIMATION FACTOR, $f_s/R = 1$ IS CIC OUTPUT RATE)

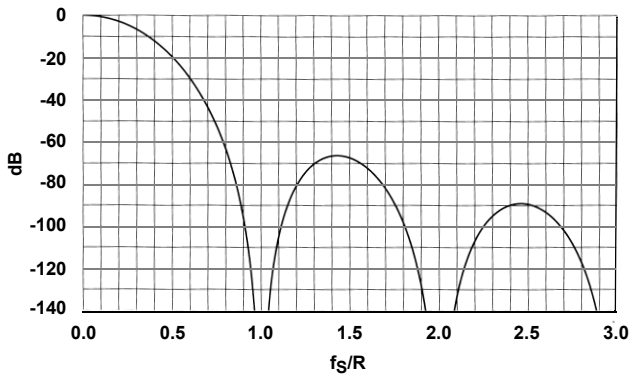


FIGURE 19B. 5TH ORDER (N = 5) CIC RESPONSE (R = DECIMATION FACTOR, $f_s/R = 1$ IS CIC)

Data Sheet Revisions:

TABLE 87. REVISION HISTORY

REVISION	DATE	DESCRIPTION
6006.2	January 10, 2003	<ul style="list-style-type: none"> - TRST Pin Description text added for Circuit Board schematics - Added text in the VGA/RF Attenuator (Range Control) section, last paragraph - Figure 3, "NCO, Mixer and CIC Block Diagram", corrected FIR coefficients table - Figure 4, "FIR1 and FIR2 Block Diagrams", updated - Added Power-up Sequencing Explanation on Page 27 - Table 24, IWA = 0*01h, updated register description (bit values remained the same) - Table 51, IWA = *000h, updated register description (bit values remained the same) - Table 52, IWA = *001h, bits 31:29, updated description (bit values remained the same) - Table 52, IWA = *001h, bits 2:0, updated description (bit values remained the same) - Table 61, IWA = *008h, bit 0 changed to "RESERVED, Set to 0" - Table 62, "Control Bit Settings for AGC Modes" added - Table 83, Added the FIR coefficient loading procedure at the bottom of the table - In Electrical Specifications table added the following values: t_{CHR}, t_{RCY}, t_{DW} - Figure 12, "Clock Skews", updated - Added package drawing note (last page)

CDMA2000-1XR TT:

Figure below shows the overall response using 5-stage CIC filter, 32-tap first FIR filter block and 64-tap second FIR filter block.

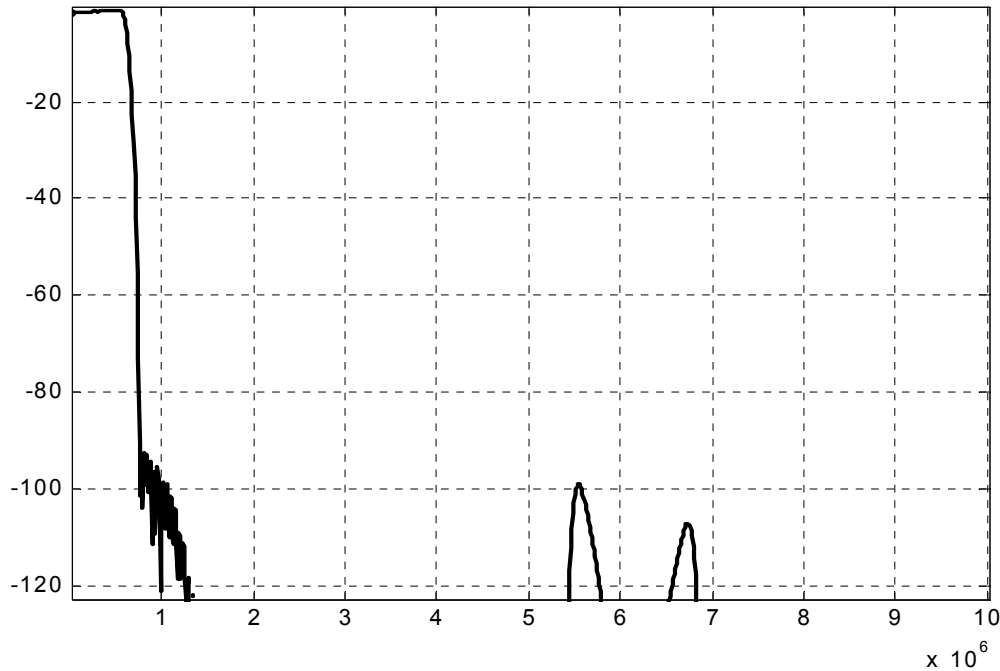


FIGURE 21. OVERALL FILTER RESPONSE OF A SINGLE CDMA2000 CHANNEL

UMTS / W-CDMA:

Figure below shows the overall response using 5-stage CIC filter, 32-tap first FIR filter block and 64-tap second FIR filter block.

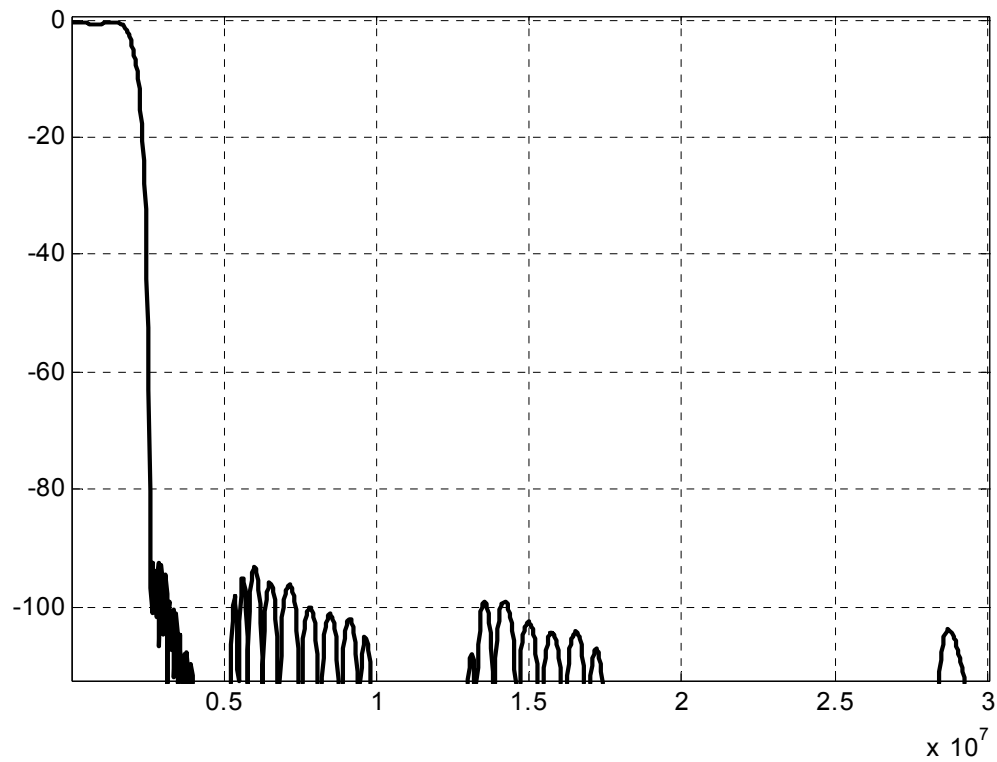
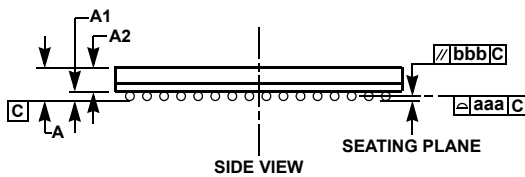
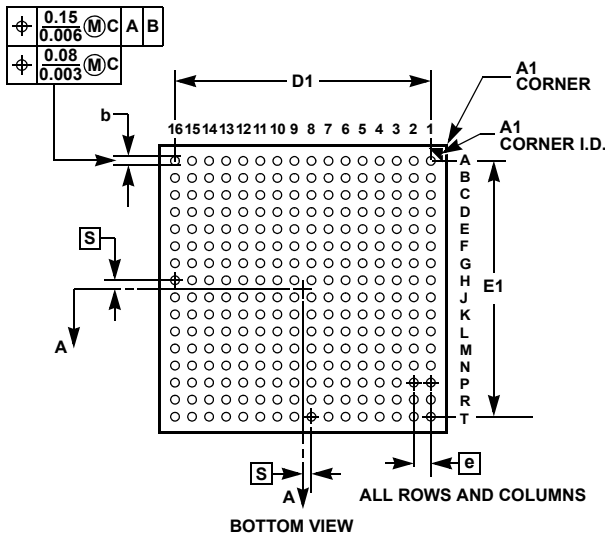
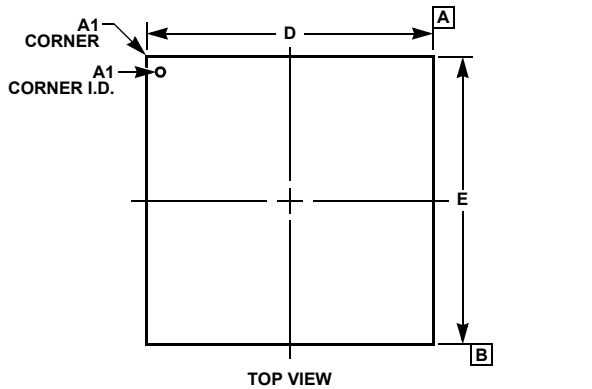


FIGURE 22. OVERALL FILTER RESPONSE OF A SINGLE UMTS CHANNEL

Plastic Ball Grid Array Packages (BGA)



V256.17x17

256 BALL PLASTIC BALL GRID ARRAY PACKAGE

SYMBOL	INCHES		MILLIMETERS		NOTES
	MIN	MAX	MIN	MAX	
A	-	0.059	-	1.50	-
A1	0.012	0.016	0.31	0.41	-
A2	0.037	0.044	0.95	1.13	-
b	0.016	0.020	0.41	0.51	7
D/E	0.665	0.673	16.90	17.10	-
D1/E1	0.587	0.595	14.90	15.10	-
N	256		256		-
e	0.039 BSC		1.0 BSC		-
MD/ME	16 x 16		16 x 16		-
bbb	0.004		0.10		3
ααα	0.005		0.12		-

Rev. 2 01/03

NOTES:

1. Controlling dimension: MILLIMETER. Converted inch dimensions are not necessarily exact.
2. Dimensioning and tolerancing conform to AMSE Y14.5M-1994.
3. "MD" and "ME" are the maximum ball matrix size for the "D" and "E" dimensions, respectively.
4. "N" is the maximum number of balls for the specific array size.
5. Primary datum C and seating plane are defined by the spherical crowns of the contact balls.
6. Dimension "A" includes standoff height "A1", package body thickness and lid or cap height "A2".
7. Dimension "b" is measured at the maximum ball diameter, parallel to the primary datum C.
8. Pin "A1" is marked on the top and bottom sides adjacent to A1.
9. "S" is measured with respect to datum's A and B and defines the position of the solder balls nearest to package centerlines. When there is an even number of balls in the outer row the value is "S" = e/2.

© Copyright Intersil Americas LLC 2004. All Rights Reserved.

All trademarks and registered trademarks are the property of their respective owners.

For additional products, see www.intersil.com/en/products.html

Intersil products are manufactured, assembled and tested utilizing ISO9001 quality systems as noted in the quality certifications found at www.intersil.com/en/support/qualandreliability.html

Intersil products are sold by description only. Intersil may modify the circuit design and/or specifications of products at any time without notice, provided that such modification does not, in Intersil's sole judgment, affect the form, fit or function of the product. Accordingly, the reader is cautioned to verify that datasheets are current before placing orders. Information furnished by Intersil is believed to be accurate and reliable. However, no responsibility is assumed by Intersil or its subsidiaries for its use; nor for any infringements of patents or other rights of third parties which may result from its use. No license is granted by implication or otherwise under any patent or patent rights of Intersil or its subsidiaries.

For information regarding Intersil Corporation and its products, see www.intersil.com

X-ON Electronics

Largest Supplier of Electrical and Electronic Components

Click to view similar products for [Up-Down Converters](#) category:

Click to view products by [Renesas](#) manufacturer:

Other Similar products are found below :

[HMC7586-SX](#) [HMC8120-SX](#) [HMC8121-SX](#) [HMC7587](#) [HMC8118](#) [HMC8118-SX](#) [HMC7587-SX](#) [MAX2680AUT+T](#) [MAX9996ETP+T](#)
[ADMV4530ACCZ](#) [F1102NBGI8](#) [HMC6147ALC5ATR](#) [MDS-158-PIN](#) [LA8153QA-WH](#) [HMC7912LP5ETR](#) [HMC377QS16GETR](#)
[HMC1090LP3ETR](#) [F1162NBGI](#) [F1178NBGI](#) [MD-123-PIN](#) [ADRF6780ACPZN-R7](#) [MAX9993ETP+](#) [MAX9996ETP+](#) [SM5T](#) [SKY73062-11](#)
[MAX2680EUT+T](#) [MAX2671EUT+T](#) [MAX19997AETX+](#) [MAX19993ETX+](#) [MAX19985AETX+](#) [MAMXSS0012TR-3000](#) [MY63C](#) [MY87C](#)
[M2A](#) [CSM2-10](#) [CSM1-13](#) [CHR3762-QDG](#) [MAX2671EUT-T](#) [MAX19994AETX+](#) [MAX2663EUT+T](#) [MAX19999ETX+](#) [MAX19995ETX+](#)
[TGC4408-SM](#) [TGC4510-SM](#) [TGC4610-SM](#) [TGC4407-SM](#) [TGC2510-SM](#) [MY63H](#) [HMC904LC5TR](#) [ADRF6658BCPZ-RL7](#)