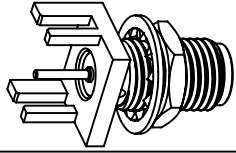
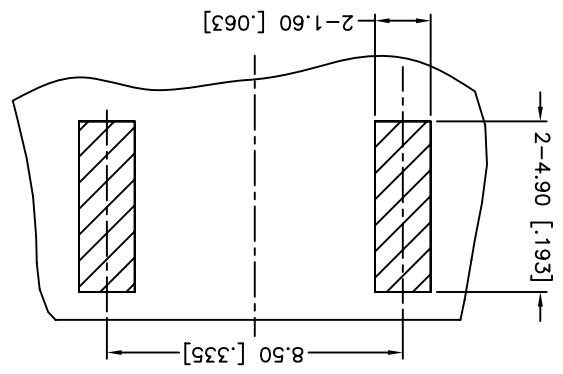
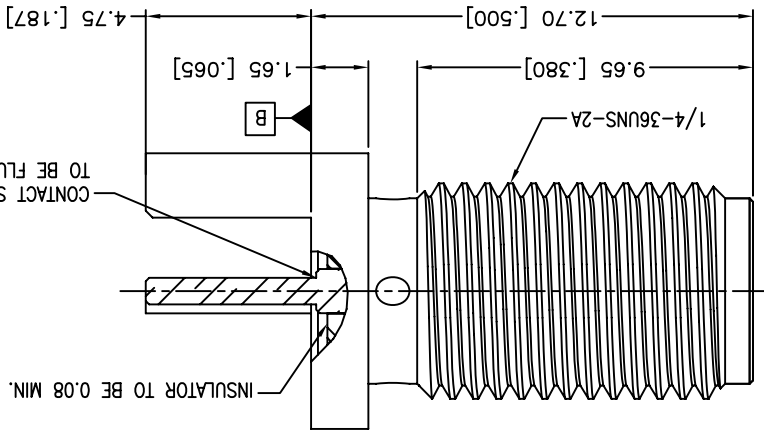
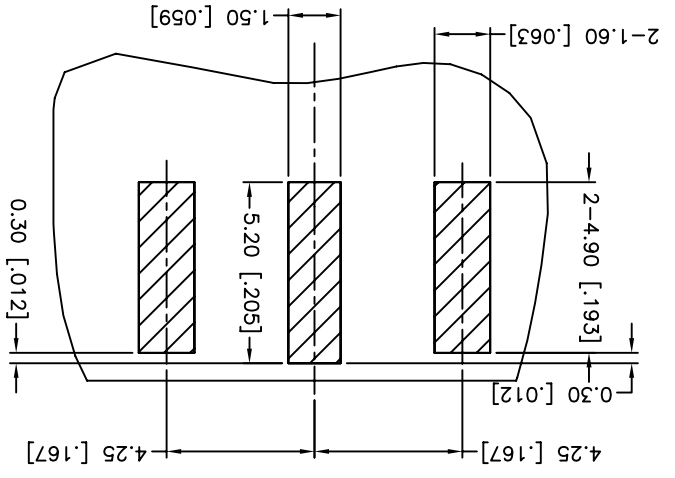
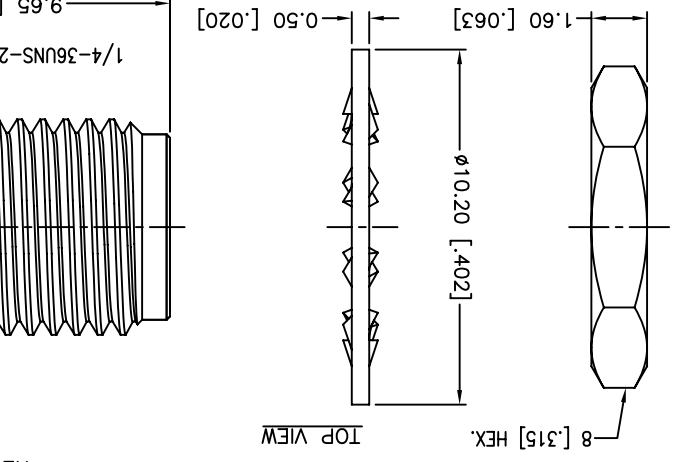


DESCRIPTION	MATERIAL	FINISH	QTY
HEX NUT	BRASS	GOLD	1
LOCK WASHER	BRASS	GOLD	1
CONTACT PIN	BER. COPPER	GOLD	1
INSULATOR	PTFE	NATURAL	1
BODY	BRASS	GOLD	1

- IMPEDANCE: 50 OHM
- FREQUENCY RANGE: DC 0-18 GHZ
- DIELECTRIC WITHSTANDING VOLTAGE: 1000 VRMS, MIN.
- DURABILITY: 500 CYCLES MIN.
- TEMPERATURE RANGE: -65°C TO +165°C
- CONTACT PIN MUST WITHSTAND 6 LBS MIN. AXIAL IN BOTH DIRECTIONS AND 4 IN-OZ MIN. RADIAL FORCE.
- BOARD THICKNESS=1.57 MM [.062"]
- MAX. PANEL THICKNESS=3.5mm



UNLESS OTHERWISE SPECIFIED DIMENSIONS ARE IN MILLIMETERS. DIMENSIONS IN [] ARE IN INCHES AND FOR CUSTOMER REFERENCE ONLY.
UNLESS OTHERWISE SPECIFIED TOLERANCES FOR MILLIMETERS ARE: 0.5 - 8mm ± 0.20mm 8 - 30mm ± 0.40mm 30 - 120mm ± 0.50mm
UNLESS OTHERWISE SPECIFIED TOLERANCES FOR INCHES ARE: .020 - .315 = ± 0.007" .315 - 1.180 = ± 0.015" 1.180 - 4.724 = ± 0.020"

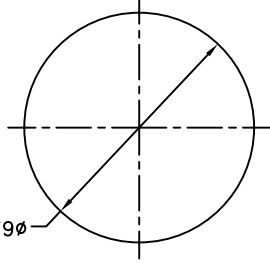
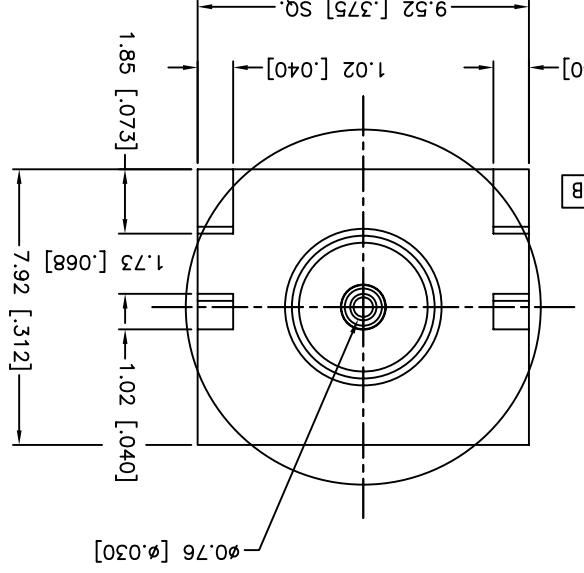
APPROVALS	DATE
M.ZHANG	11/30/11
CHECKED	
ISSUED	
SHEET	1 OF 1
CAD FILE	

REV.	DATE	DESCRIPTION
A	11/30/11	ADD THE RECOMMENDED PCB LAYOUT
A	06/19/08	INITIAL RELEASE
A	10/26/11	CHANGE THE CONTACT AND INSULATOR
SIZE	A	
SCALE	NA	

Amphenol Connex

SMA END LAUNCH BULKHEAD JACK
(.062" BOARD THICKNESS)

132289



REV.	DATE	ECR NO.	DESCRIPTION
B	11/30/11	2254	CHANGE THE CONTACT AND INSULATOR
A	10/26/11	2246	ADD THE RECOMMENDED PCB LAYOUT
NC	06/19/08	XXXXXX	INITIAL RELEASE

X-ON Electronics

Largest Supplier of Electrical and Electronic Components

Click to view similar products for [RF Connectors](#) / [Coaxial Connectors](#) category:

Click to view products by [Amphenol](#) manufacturer:

Other Similar products are found below :

[R125315120](#) [8915-1511-000](#) [89674-0827](#) [5916-1103-603](#) [0106-001-000](#) [6-0001-3](#) [6001-7071-019](#) [6002-7051-003](#) [6002-7551-202](#) [6059674-1](#) [619550-1](#) [630059-000](#) [M39012/25-0021](#) [M39012/79-3008](#) [M39030/3-01N](#) [M39030/3-03N](#) [M3933/25-36N](#) [6500-7071-046](#) [6501-1071-002](#) [M83723/72W2457N](#) [6769](#) [CX050L2AQ](#) [7002-1541-010](#) [7002-1572-002](#) [7003-1572-002](#) [7004-1512-000](#) [7009-1511-004](#) [7010-1511-000](#) [7029-1511-060](#) [7101-1541-010](#) [7101-1571-002](#) [7105-1521-002](#) [7145-1521-002](#) [7209-1511-011](#) [7210-1511-012](#) [7210-1511-015](#) [7210-1511-019](#) [7210-1511-040](#) [7225-1512-050](#) [7242-1511-000](#) [73137-5015](#) [73251-0111](#) [73251-0672](#) [73276-1501](#) [73366-0013](#) [73404-2300](#) [73413-6080](#) [734151610](#) [73415-5721](#) [7405-1521-005](#)