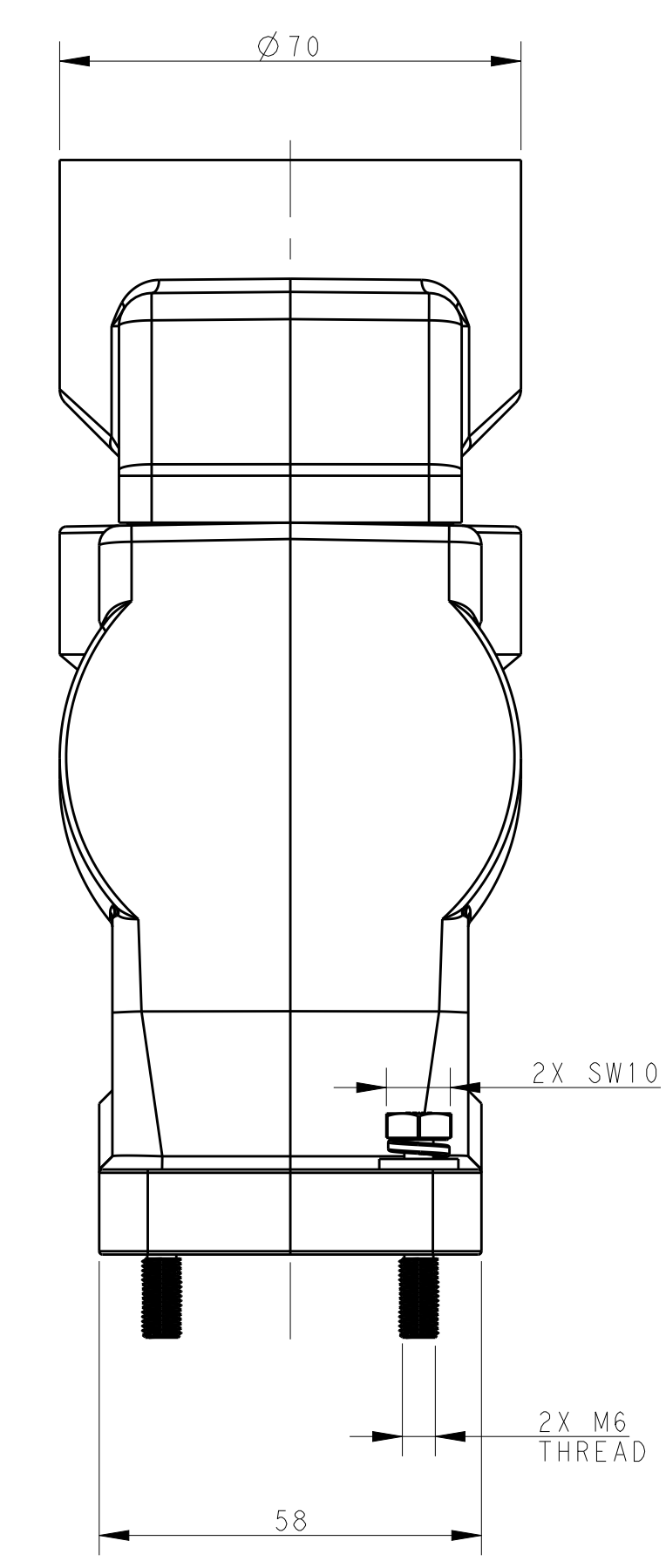
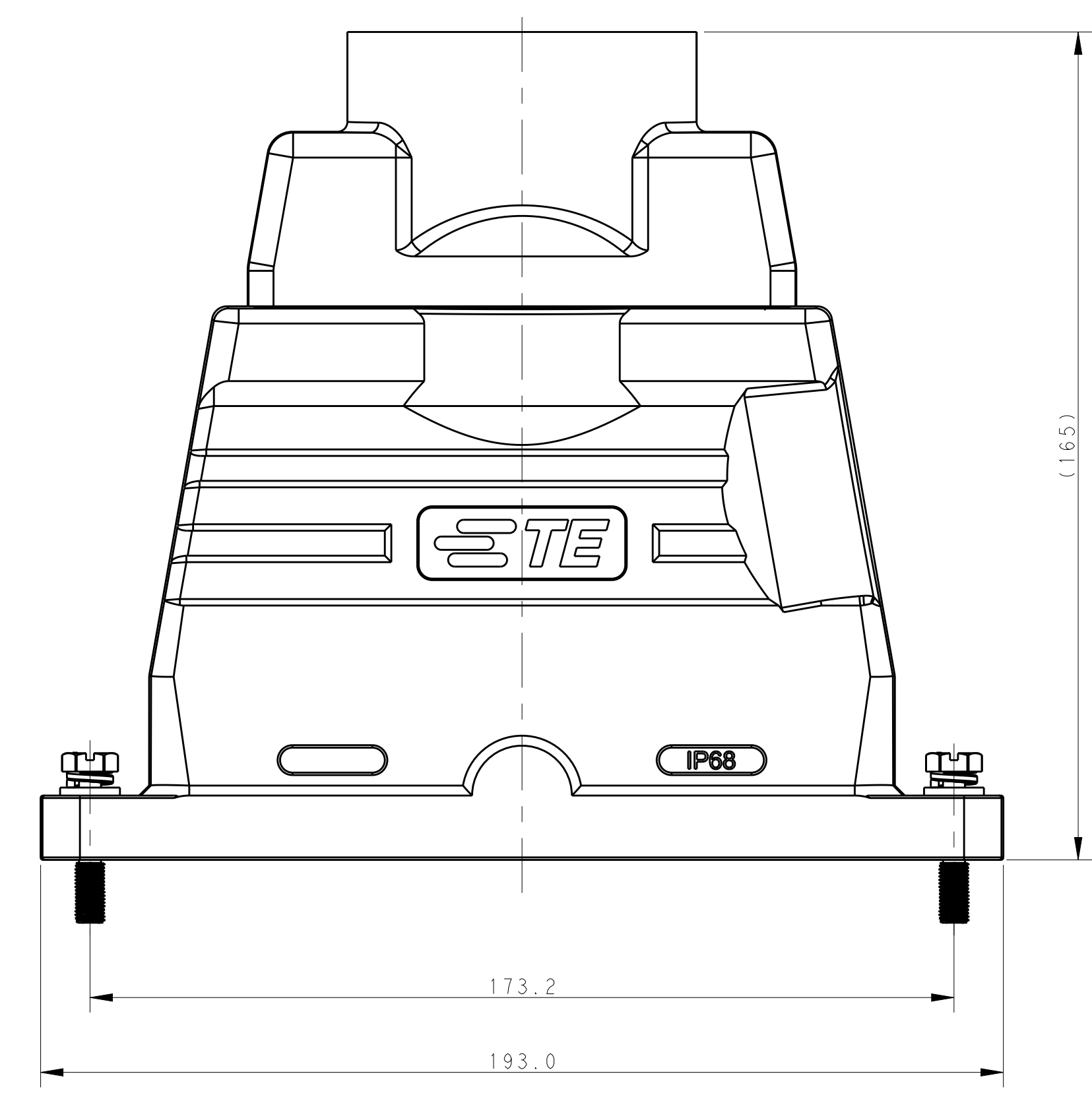
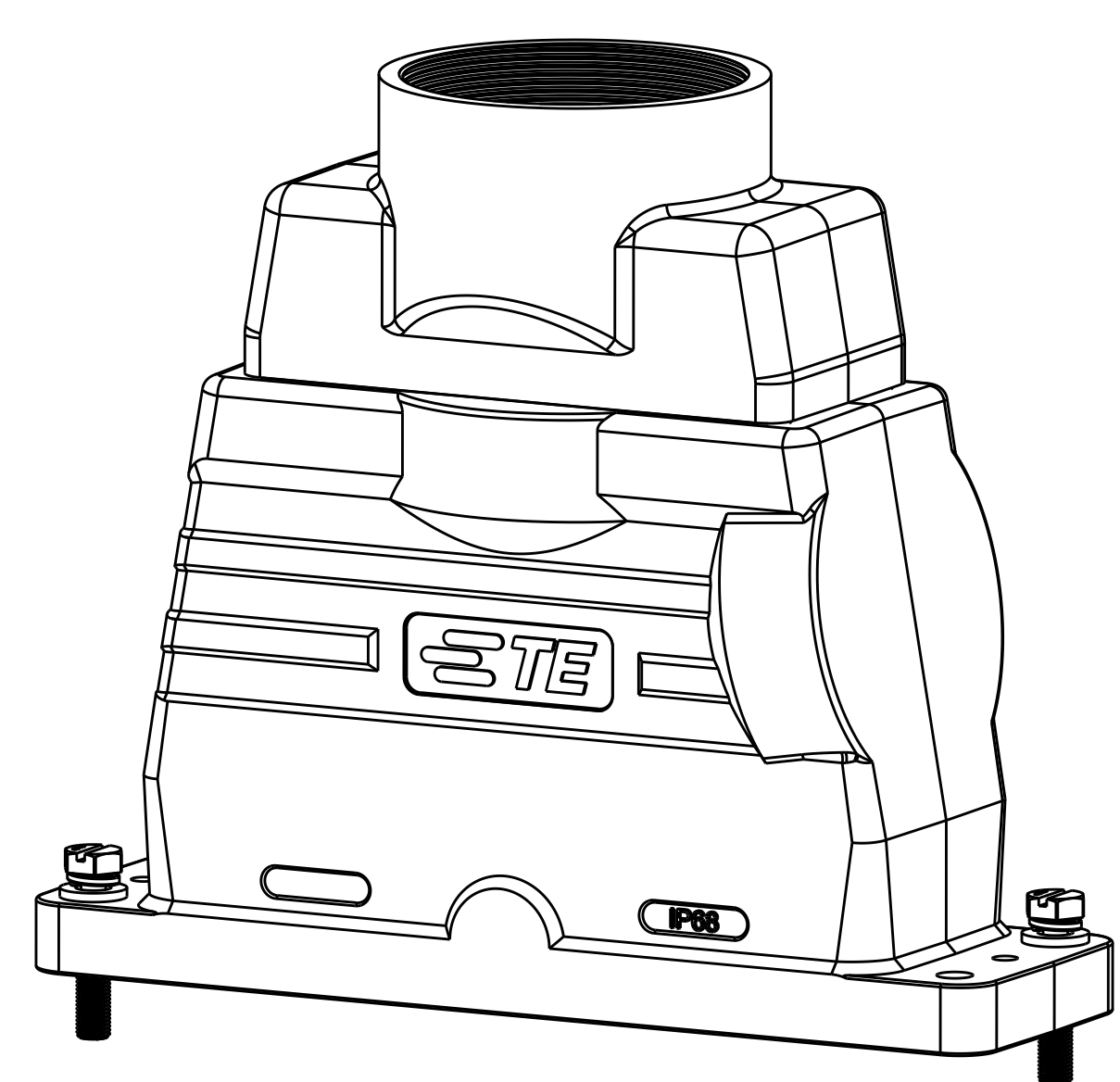
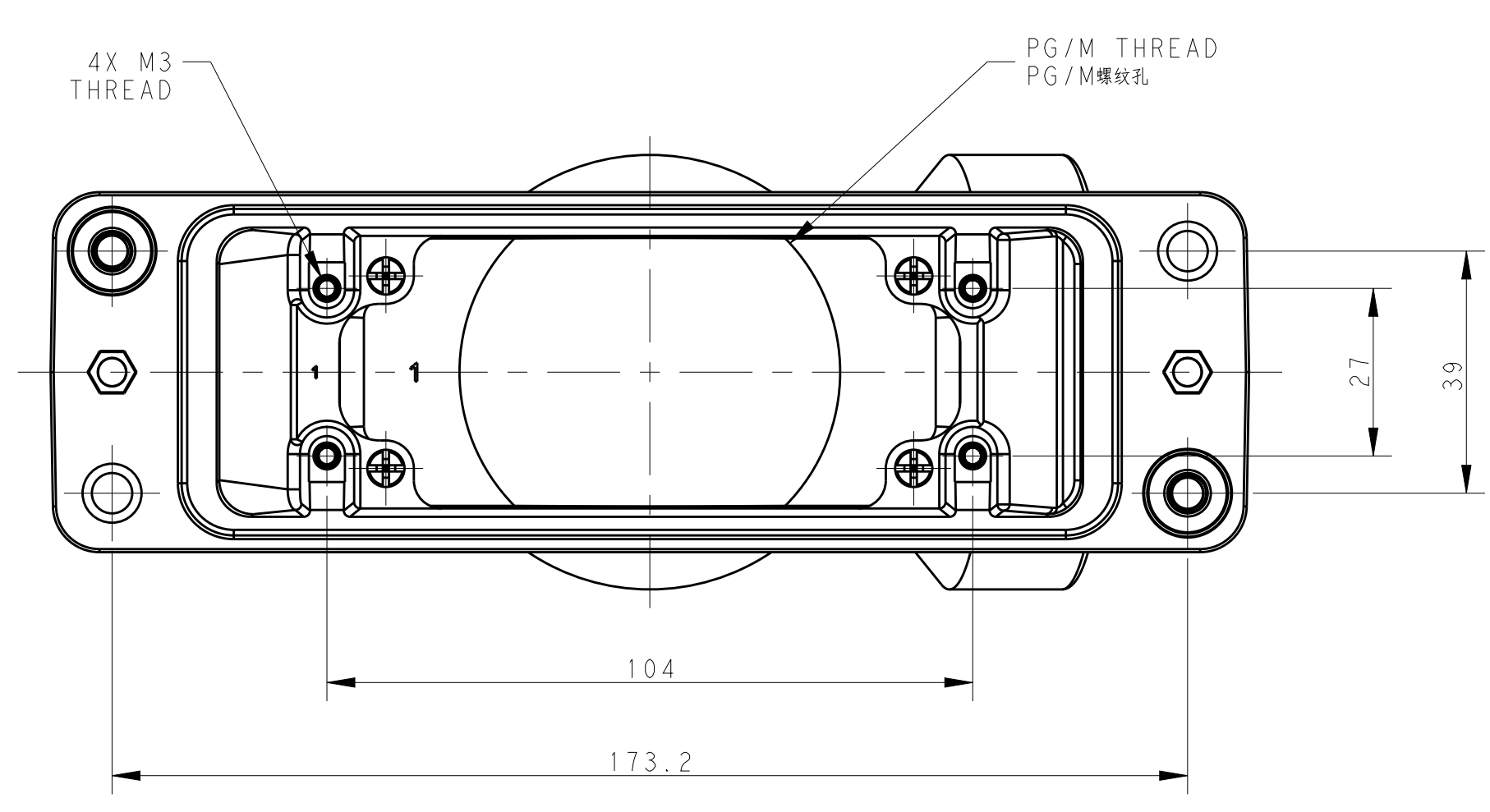


REVISIONS				
P	LTN	DESCRIPTION	DATE	APVD
A		INITIAL	03JUN2016	RL CW
A1		ECR-16-012141	30AUG2016	RL CW
A2		ECR-16-015006	26OCT2016	RL CW



NOTES:
 1. TECHNICAL CHARACTERISTICS:
 HOOD MATERIAL: DIE CAST ALUMINIUM ALLOY
 SURFACE TREATMENT: POWDER COATED, BLACK
 DEGREE OF PROTECTION: IP68 (MATED)

注释:
 1. 技术参数:
 壳体材料: 铝合金
 表面处理: 黑色粉末喷涂
 防护等级: IP68 (配合)



T1926240150-000	H24BPR-TGXH-4S-M50	H24BPR HEIGHTEN HOOD, QUADRANGLED LOCKING, TOP ENTRY M50, POWDER COATED, BLACK H24BPR加高上壳, 四角锁定, 顶出M50, 黑色粉末喷涂	M50
T1926240163-000	H24BPR-TGXH-4S-M63	H24BPR HEIGHTEN HOOD, QUADRANGLED LOCKING, TOP ENTRY M63, POWDER COATED, BLACK H24BPR加高上壳, 四角锁定, 顶出M63, 黑色粉末喷涂	M63
PART NUMBER 料号	PART DESCRIPTION 描述		PG/M THREAD PG/M螺纹孔

THIS DRAWING IS A CONTROLLED DOCUMENT.		OWN: ROY LIU 03JUN2016	TE Connectivity
DIMENSIONS: mm		CHK: KYLE ZENG 03JUN2016	
TOLERANCES UNLESS OTHERWISE SPECIFIED:		APVD: CHRIS WANG 03JUN2016	NAME: H24BPR-TGXH-4S-MXX
0 PLC ±	1 PLC ±	PRODUCT SPEC: 108-137014	SIZE: A1
2 PLC ±	3 PLC ±	APPLICATION SPEC: 114-137014	CAGE CODE: -
4 PLC ±	ANGLES ±	WEIGHT: -	DRAWING NO: C-T19262401XX00X
MATERIAL: -	FINISH: -	CUSTOMER DRAWING	RESTRICTED TO: -
SCALE: 1:1			SHEET 1 OF 1
REV: A2			

X-ON Electronics

Largest Supplier of Electrical and Electronic Components

Click to view similar products for [Heavy Duty Power Connectors](#) category:

Click to view products by [TE Connectivity](#) manufacturer:

Other Similar products are found below :

[1424439](#) [1424438](#) [09330062652](#) [2-8675P1](#) [605601-1](#) [6340G1](#) [6341G1](#) [6360G1](#) [6373G1](#) [6374g2](#) [6396G1](#) [647757-1](#) [66394-4](#) [6643411-1](#)
[6646058-2](#) [6646137-1](#) [6646138-1](#) [6646348-1](#) [6646479-1](#) [6646608-1](#) [6646786-1](#) [6646940-1](#) [6651091-1](#) [6651525-1](#) [6651529-1](#) [6651778-1](#)
[6651788-1](#) [696465-1](#) [696475-1](#) [73000005059](#) [73000005349](#) [73000005642](#) [73080255059](#) [73080965046](#) [765-15-0080A](#) [765-16-0080B](#)
[789.700-44](#) [789.700-54](#) [80-1010](#) [80-9](#) [827381-1](#) [829992-1](#) [902-77-02113](#) [PL00U-301-10D10](#) [PM103MOOLOO](#) [PM16S1620S32-50](#)
[PM212MOOLOO](#) [PM309FOOLOO](#) [PM324FOOLCH](#) [PMHPAF11S03](#)