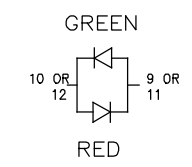
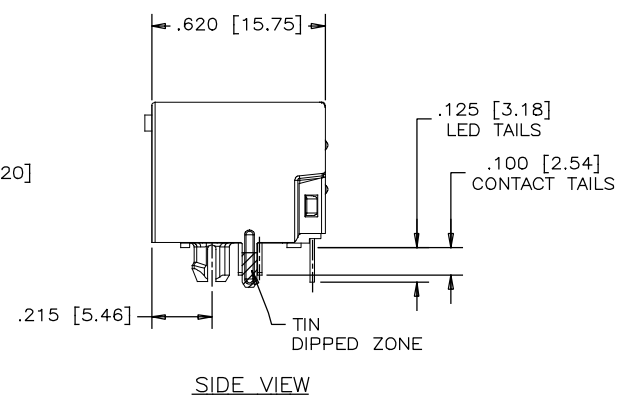
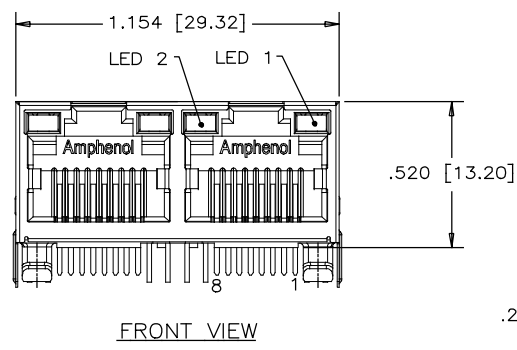
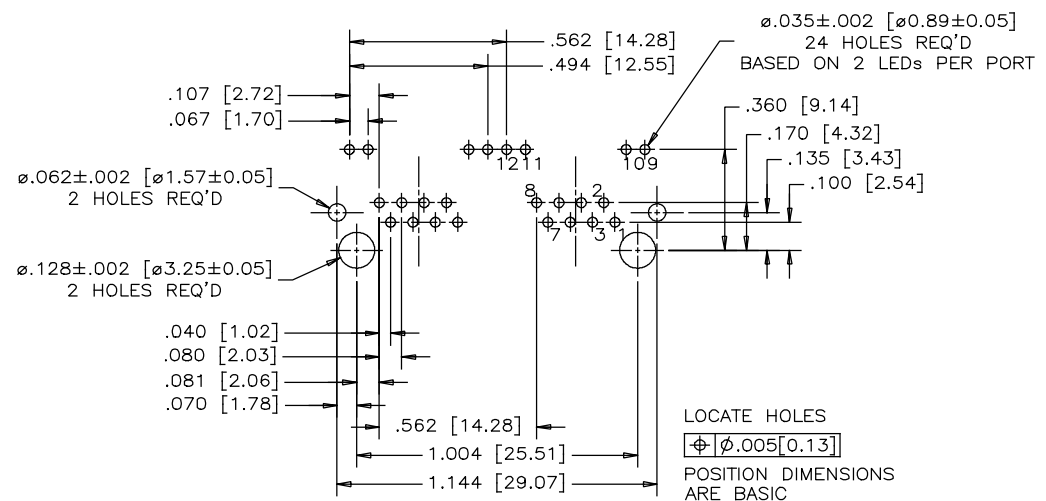
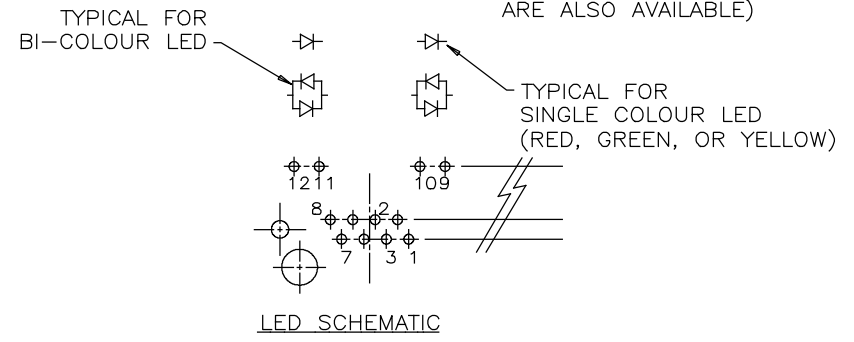


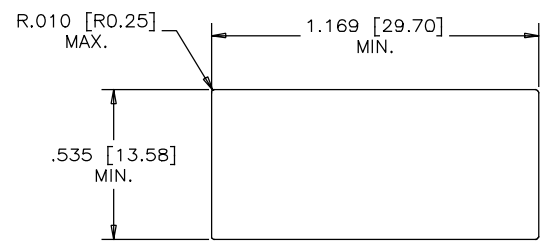
REVISIONS			
REV	DESCRIPTION, ECN, EAR NO.	DATE	APP'D
A	PROPOSAL	MAR17/17	L.CHAN
B	ADD LED OPTION	MAR23/17	L.CHAN
C	FIX ERROR	APR01/17	L.CHAN



BI-COLOUR LED DETAIL  
(YELLOW/GREEN, RED/YELLOW AND GREEN/ORANGE LED'S ARE ALSO AVAILABLE)



RECOMMENDED P.C.B. LAYOUT  
(COMPONENT SIDE OF BOARD)

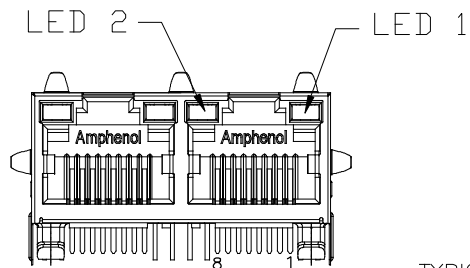


RECOMMENDED PANEL CUTOUT

- MATERIALS:**  
**PLASTIC HOUSING:** HIGH TEMPERATURE THERMOPLASTIC  
 FLAMMABILITY RATING UL 94V-0, COLOUR: BLACK  
  
**CONTACTS:** PHOSPHOR BRONZE  
 PLATING: SELECTIVE GOLD PLATING ON MATING SURFACES,  
 SEE AMPHENOL PART NUMBER FOR DETAIL.  
 50 μ" [1.27 MICRONS] MIN. NICKEL UNDERPLATE  
 100 μ" [2.54 MICRONS] MIN. MATTE TIN ON CONTACT TAILS  
  
**SHIELD:** STAINLESS STEEL WITH TIN DIPPED ON PCB TAILS.
- RECOMMENDED SOLDERING TEMPERATURE:**  
 WAVE SOLDERING AT 260° C MAXIMUM FOR 5 SEC MAXIMUM.
- PART NUMBER:** RJE39-288-6XX0  
 GOLD PLATING OPTION  
 0=GOLD FLASH  
 1=6u" GOLD PLATING  
 2=15u" GOLD PLATING  
 3=30u" GOLD PLATING  
 4=50u" GOLD PLATING  
 REFER TO LED OPTIONS DRAWING FOR ORDERING CODES

UNLESS SPECIFIED OTHERWISE	DRAWN <u>AMY.Z</u>	DATE <u>MAR17/17</u>	<b>Amphenol Canada Corp.</b> www.amphenolcanada.com
PRIMARY UNITS INCH	CHECKED <u>LAWRENCE.C</u>	DATE <u>MAR17/17</u>	
SECONDARY MILLIMETER	M.E. APP'D		TITLE
REFERENCE IN PARENTHESES	Q.A. APP'D		2 PORT HIGH SPEED MODULAR JACK, 8 POSITION, 8 CONTACTS, SHIELDED W/O TABS, WITH LEDs OPTION - RoHS COMPLIANT
GENERAL TOLERANCES	DWG APPR.		DWG. NO.
1 DECIMAL PLACE ±0.025	ENG. REL. NO.		P-RJE39-288-6XX0
2 DECIMAL PLACES ±0.020	REF.		REV
3 DECIMAL PLACES ±0.015	THIRD ANGLE PROJECTION	DO NOT SCALE DRAWING	C
ANGULAR DEGREES ±1.0°			CODE ID NO. 03554 DWG SIZE: c SCALE: N/A SHEET 1 OF 1

THIS DOCUMENT CONTAINS PROPRIETARY INFORMATION AND SUCH INFORMATION MAY NOT BE DISCLOSED TO OTHERS FOR ANY PURPOSE OR USED FOR MANUFACTURING PURPOSES WITHOUT WRITTEN PERMISSION FROM AMPHENOL CANADA CORP.



EXAMPLE:  
PART NUMBER: RJE39-288-1XX0

LED COLOR CODE

TYPICAL FOR SINGLE



REVISIONS			
REV	DESCRIPTION, ECN, EAR NO.	DATE	APP'D
A	PROPOSAL	SEP07/15	L.CHAN
B	UPDATE PART NUMBER	MAR13/17	L.CHAN
C	ADD OPTION	MAR23/17	L.CHAN

LED SPECIFICATIONS:

FORWARD VOLTAGE: 2.1 VOLTS TYP.  
REVERSE VOLTAGE: 5.0 VOLTS MIN.  
LUMINOUS INTENSITY: 0.5 mCd MIN.  
(AT If=2mA)

STORAGE TEMPERATURE: -40° TO 85° C  
LEAD SOLDERING TEMPERATURE: 260° C  
(5 SEC, 1/16" FROM CASE)  
PLATING ON TAILS: TIN OR TIN/COPPER  
ALLOY OVER SILVER

PRIMARY COLOR FOR BI-COLOR  
LEDS IN STANDARD ANODE/  
CATHODE CONFIGURATION IS:  
RED-GREEN= RED  
RED-YELLOW= RED  
GREEN-YELLOW= GREEN  
GREEN-ORANGE= GREEN

LEGEND

BiC=BI-COLOR LED  
LOWC=LOW CURRENT LED  
YE=YELLOW  
GR=GREEN  
RD=RED  
OR=ORANGE

NOTE:

THE TWO DIGITS PRECEDING THE  
ADDITIONAL LED CODE MUST BE  
USED IN THE PART NUMBER, WHEN  
ORDERING ANY OF THE ADDITIONAL  
LED OPTIONS.

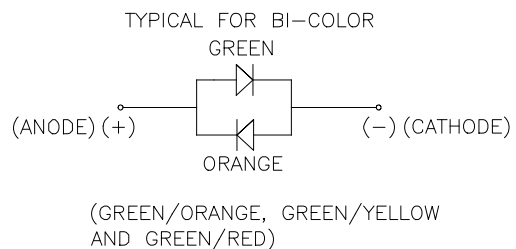
CODE	LED 2 (LEFT)	LED 1 (RIGHT)	CODE	LED 2 (LEFT)	LED 1 (RIGHT)	CODE	LED 2 (LEFT)	LED 1 (RIGHT)
0	BLOCKED	BLOCKED	9	GREEN	BLOCKED	J	BiC RD/GR	YELLOW
1	YELLOW	GREEN	A	BiC GR/YE	BiC GR/YE	K	YELLOW	BiC GR/OR
2	BLOCKED	GREEN	B	BiC RD/GR	BiC RD/GR	L	BiC GR/YE	RED
3	YELLOW	BLOCKED	C	BiC RD/GR	BiC GR/YE	M	RED	YELLOW
4	GREEN	YELLOW	D	GREEN	BiC GR/YE	N	BiC GR/RD	BiC GR/YE
5	GREEN	GREEN	E	YELLOW	BiC GR/YE	P	GREEN	BiC RD/GR
6	YELLOW	YELLOW	F	BiC GR/YE	YELLOW	R	BiC GR/OR	GREEN
7	RED	GREEN	G	BiC GR/OR	BiC GR/OR	T	RED	RED
8	GREEN	RED	H	BiC GR/YE	GREEN	V	BiC RD/GR	GREEN
			W	ADDITIONAL	OPTIONS			

EXAMPLE OF ADDITIONAL LED OPTIONS:

PART NUMBER RJE39-288-1XW0-0X

ONLY USED FOR "W" OPTIONS USED IN FIRST LED CODE  
ADDITIONAL LED COLOR CODE  
DENOTES ADDITIONAL LED OPTIONS TO BE USED

CODE	LED 2 (LEFT)	LED 1 (RIGHT)	CODE	LED 2 (LEFT)	LED 1 (RIGHT)	CODE	LED 2 (LEFT)	LED 1 (RIGHT)
0	DO NOT USE		5	BLOCKED	YELLOW	E	GREEN	ORANGE
1	RED	BLOCKED	6	RED	BiC RD/GR	A	LOWC YE	LOWC YE
2	BiC GR/OR	YELLOW	7	BLOCKED	BiC RD/GR	B	LOWC YE	LOWC GR
3	YELLOW	RED	8	BiC RD/GR	BLOCKED	C	LOWC GR	LOWC YE
4	BLOCKED	RED	9	BiC GR/YE	BLOCKED	D	LOWC GR	LOWC GR
			M	RED	YELLOW	N	GREEN	BiC GR/OR
			E	GREEN	ORANGE	F	ORANGE	GREEN
			P	BiC RE/YE	GREEN	R	BiC RD/YE	BiC RD/YE
			T	BiC GR/YE	BiC RE/GR	G	GREEN	BiC OR/GR
			H	BLUE	RED			



UNLESS SPECIFIED OTHERWISE	DRAWN Amy.Z	DATE SEP07/15	Amphenol Canada Corp. www.amphenolcanada.com
PRIMARY UNITS MILLIMETER	CHECKED Lawrence.C	SEP07/15	
SECONDARY INCH	M.E. APP'D		TITLE
REFERENCE IN PARENTHESES	Q.A. APP'D		LED OPTIONS FOR RJE39
GENERAL TOLERANCES	DWG APPR.		
1 DECIMAL PLACE ±0.45	ENG. REL. NO.		DWG. NO. P-RJE39-LEDs
2 DECIMAL PLACES ±0.30	REF.		REV C
3 DECIMAL PLACES ±0.15	THIRD ANGLE PROJECTION	DO NOT SCALE DRAWING	
ANGULAR DEGREES ±1.0°			CODE ID NO. 03554 DWG SIZE: c SCALE: N/A SHEET 1 OF 1

## X-ON Electronics

Largest Supplier of Electrical and Electronic Components

*Click to view similar products for [Modular Connectors](#) / [Ethernet Connectors](#) category:*

*Click to view products by [Amphenol](#) manufacturer:*

Other Similar products are found below :

[RJE231881317T](#) [MP1010RX-1000](#) [MP44RX-1000](#) [GAX-3-66](#) [GAX-8-62](#) [93606-0253](#) [GD-A-44](#) [GDCX-PA-66-50](#) [GDCX-PN-64](#) [GDCX-PN-66](#) [GDCX-PN-66-50](#) [GDLX-A-66](#) [GDLX-A-88](#) [GDLX-N-66](#) [GDLX-S-88K](#) [GDTX-S-88-50](#) [GDX-PA-1010](#) [GLX-N-1010M-BLK](#) [GLX-N-44M](#) [GLX-S-88M-BLK](#) [GMX-N-1010](#) [GMX-S-1010](#) [GMX-S-66](#) [GMX-SMT2-N-1010](#) [GMX-SMT2-N-64-50](#) [GMX-SMT2-S6-88](#) [GMX-SMT4-N-88](#) [GPX-2-64](#) [GRT1-BT1-5](#) [GSGX-N-2-88](#) [GSX-NS2-88-3.05](#) [GSX-NS2-88-3.05-50](#) [GSX-NS-88-3.05-30](#) [GSX-NS-88-3.05-50](#) [GSX-NS-88-3.68](#) [1-1775629-2](#) [GWLX-S-88-GR](#) [GWLX-S9-88-YG](#) [1300500326](#) [1300500227](#) [1300530003](#) [1300570002](#) [1324640-4](#) [RJ11FTVC2G](#) [RJ11FTVC2N](#) [RJFTVX2SA1G](#) [132764-001](#) [1400000](#) [1413176](#) [1413235](#)