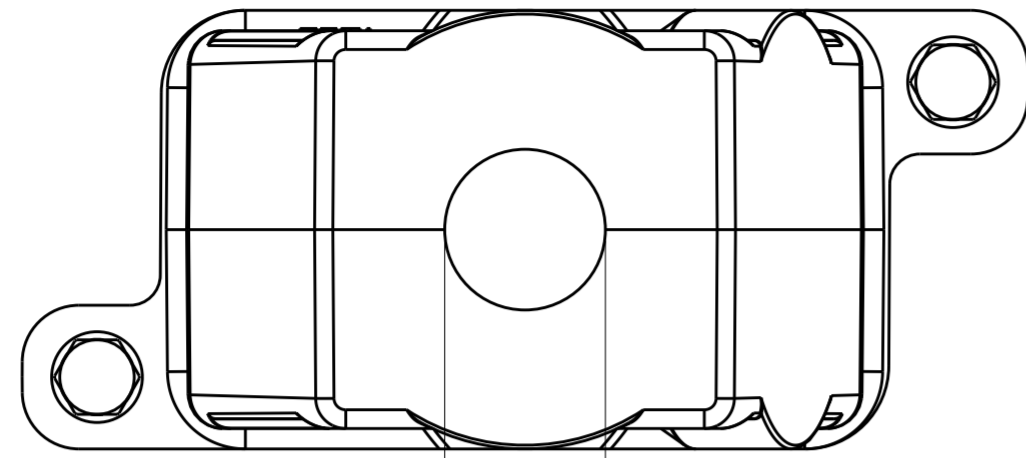


THIS DRAWING IS UNPUBLISHED. RELEASED FOR PUBLICATION 20  
 © COPYRIGHT 20 BY - ALL RIGHTS RESERVED.

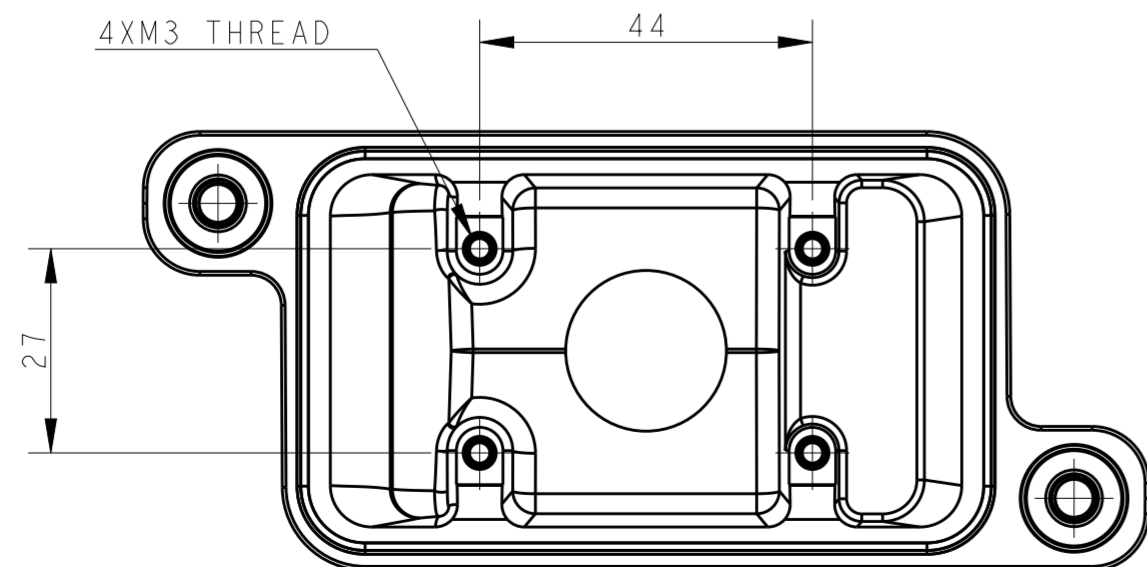
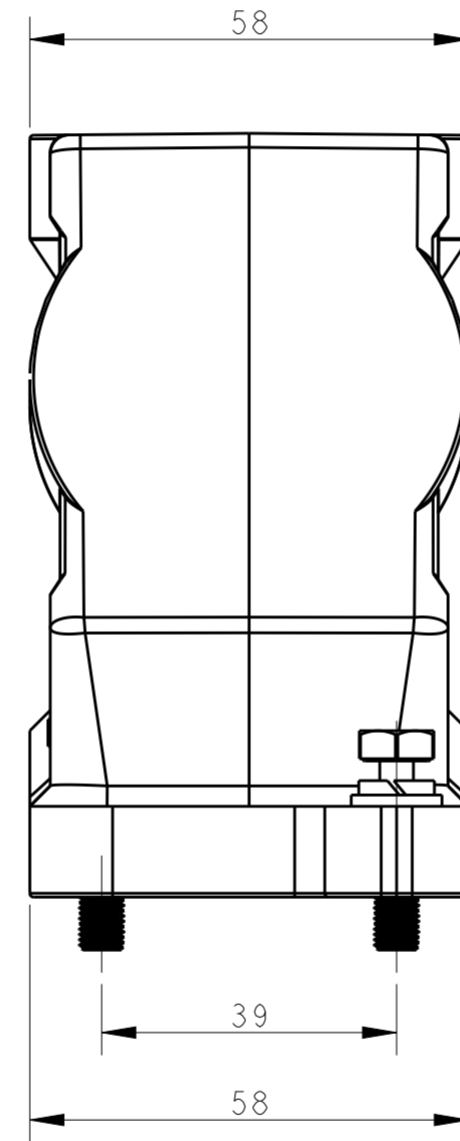
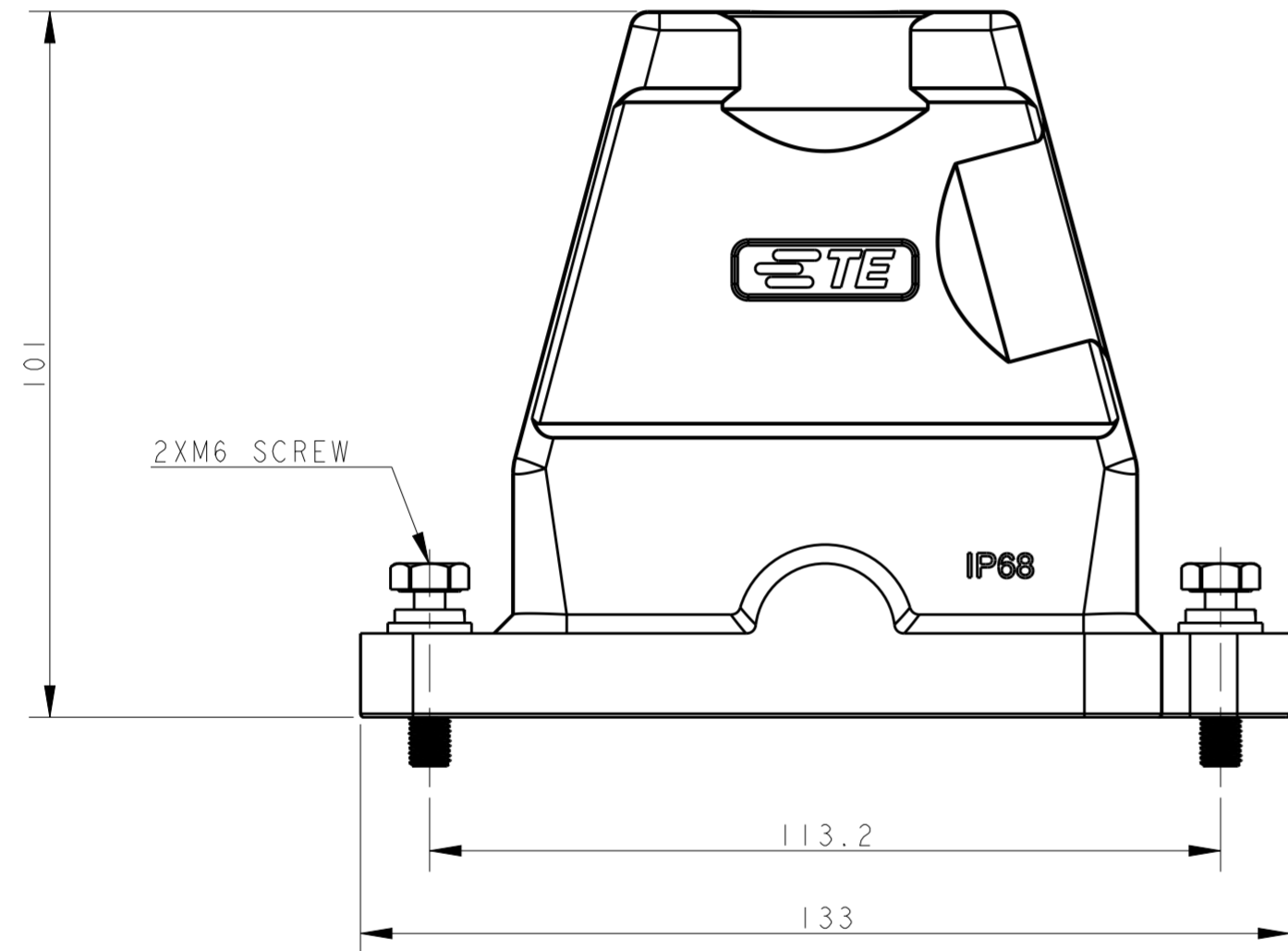
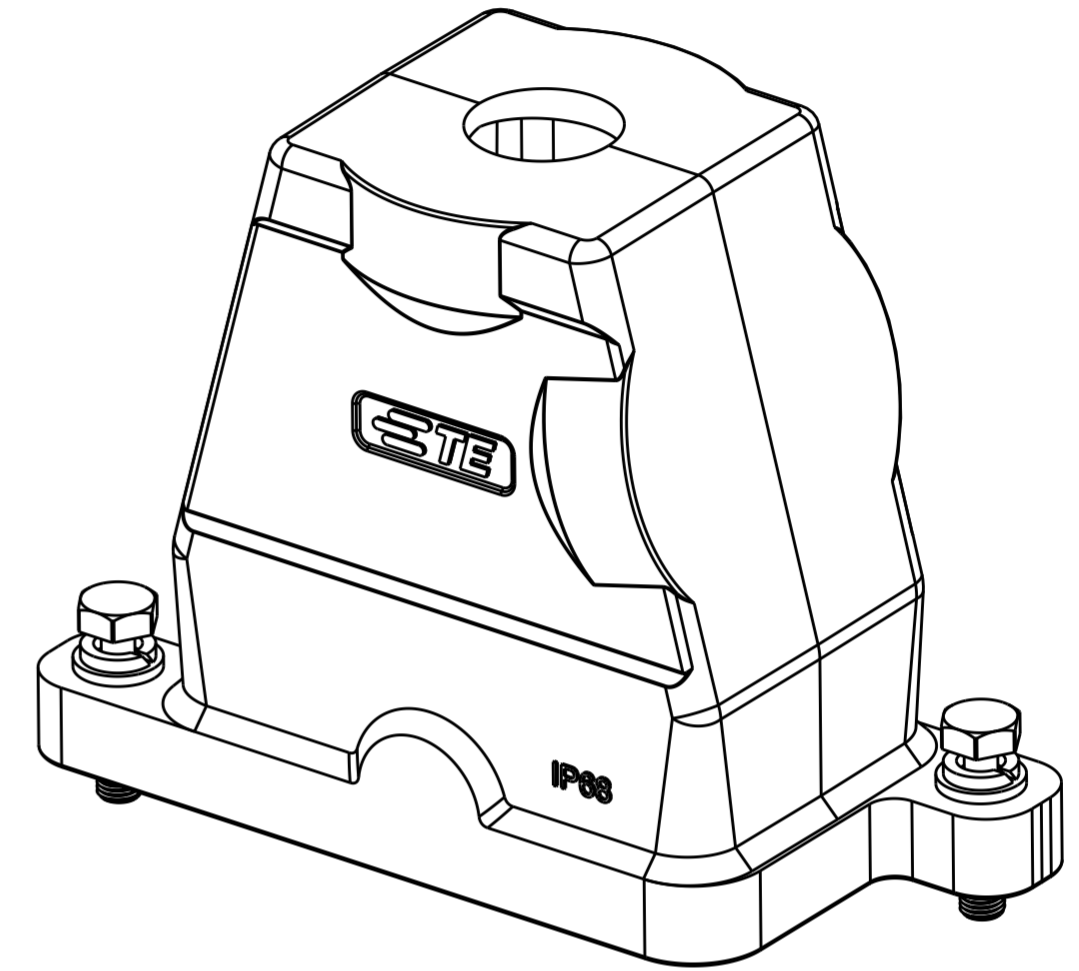
REVISIONS				
P	LTR	DESCRIPTION	DATE	APVD
A		INITIAL RELEASE	21MAY2015	GY CW

NOTES:  
 1. TECHNICAL CHARACTERISTICS:  
 HOOD MATERIAL: DIE CAST ALUMINIUM ALLOY  
 SURFACE TREATMENT: SEE TABLE  
 OPERATION TEMPERATURE: -40°C~+125°C  
 DEGREE OF PROTECTION: IP68 (MATED)

注释:  
 1. 技术参数:  
 壳体材料: 铝合金  
 表面处理: 见表格  
 工作温度: -40°C~+125°C  
 防护等级: IP68 (配合)



PG/M THREAD



T1920062132-000	POWDER COATED GRAY	H6BPR-TGH-M32	M32
T1920062129-000	POWDER COATED GRAY	H6BPR-TGH-PG29	PG29
T1920062125-000	POWDER COATED GRAY	H6BPR-TGH-M25	M25
T1920062121-000	POWDER COATED GRAY	H6BPR-TGH-PG21	PG21
T1920062120-000	POWDER COATED GRAY	H6BPR-TGH-M20	M20
T1920062116-000	POWDER COATED GRAY	H6BPR-TGH-PG16	PG16
T1920061132-000	POWDER COATED SILVER WHITE	H6BPR-TGH-M32	M32
T1920061129-000	POWDER COATED SILVER WHITE	H6BPR-TGH-PG29	PG29
T1920061125-000	POWDER COATED SILVER WHITE	H6BPR-TGH-M25	M25
T1920061121-000	POWDER COATED SILVER WHITE	H6BPR-TGH-PG21	PG21
T1920061120-000	POWDER COATED SILVER WHITE	H6BPR-TGH-M20	M20
T1920061116-000	POWDER COATED SILVER WHITE	H6BPR-TGH-PG16	PG16
T1920060132-000	POWDER COATED BLACK	H6BPR-TGH-M32	M32
T1920060129-000	POWDER COATED BLACK	H6BPR-TGH-PG29	PG29
T1920060125-000	POWDER COATED BLACK	H6BPR-TGH-M25	M25
T1920060121-000	POWDER COATED BLACK	H6BPR-TGH-PG21	PG21
T1920060120-000	POWDER COATED BLACK	H6BPR-TGH-M20	M20
T1920060116-000	POWDER COATED BLACK	H6BPR-TGH-PG16	PG16
PART NUMBER	SURFACE TREATMEN	DESCRIPTION	PG/M THREAD

THIS DRAWING IS A CONTROLLED DOCUMENT.

DIMENSIONS:	TOLERANCES UNLESS OTHERWISE SPECIFIED:	DWN Gino Yao 21MAY2015	TE Connectivity NAME H6BPR-TGH-PG/M - - SIZE A2 CAGE CODE - DRAWING NO. C-T192006XXXXX00 RESTRICTED TO - SCALE 1:1 SHEET OF REV A
		CHK Chris Wang 21MAY2015	
		APVD Xiang Xu 21MAY2015	
		PRODUCT SPEC 108-137014 APPLICATION SPEC 114-137014 WEIGHT -	
MATERIAL		Customer Drawing	

## X-ON Electronics

Largest Supplier of Electrical and Electronic Components

*Click to view similar products for [Heavy Duty Power Connectors](#) category:*

*Click to view products by [TE Connectivity](#) manufacturer:*

Other Similar products are found below :

[1424439](#) [1424438](#) [09330062652](#) [2-8675P1](#) [605601-1](#) [6340G1](#) [6341G1](#) [6360G1](#) [6373G1](#) [6374g2](#) [6396G1](#) [647757-1](#) [66394-4](#) [6643411-1](#)  
[6646058-2](#) [6646137-1](#) [6646138-1](#) [6646348-1](#) [6646479-1](#) [6646608-1](#) [6646786-1](#) [6646940-1](#) [6651091-1](#) [6651525-1](#) [6651529-1](#) [6651778-1](#)  
[6651788-1](#) [696465-1](#) [696475-1](#) [73000005059](#) [73000005349](#) [73000005642](#) [73080255059](#) [73080965046](#) [765-15-0080A](#) [765-16-0080B](#)  
[789.700-44](#) [789.700-54](#) [80-1010](#) [80-9](#) [827381-1](#) [829992-1](#) [902-77-02113](#) [PL00U-301-10D10](#) [PM103MOOLOO](#) [PM16S1620S32-50](#)  
[PM212MOOLOO](#) [PM309FOOLOO](#) [PM324FOOLCH](#) [PMHPAF11S03](#)