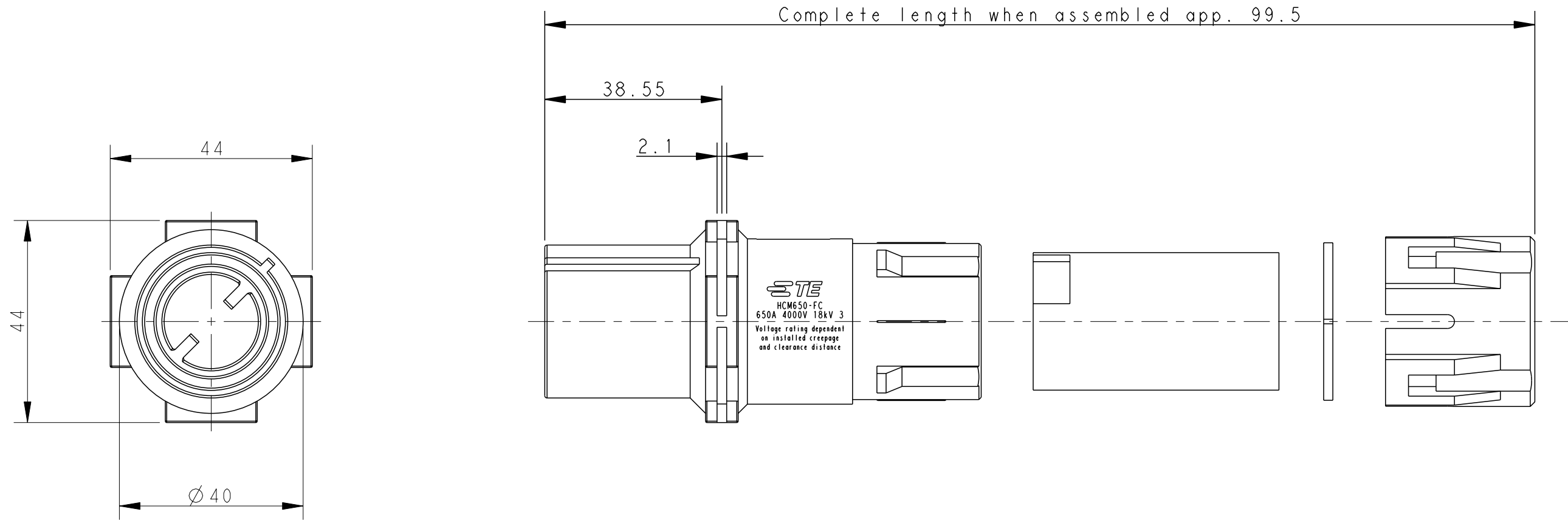


THIS DRAWING IS UNPUBLISHED. RELEASED FOR PUBLICATION
 © COPYRIGHT - BY - ALL RIGHTS RESERVED.

REVISIONS				
P	LTR	DESCRIPTION	DATE	APVD
	A	INITIAL	29MAY2018	GY CW

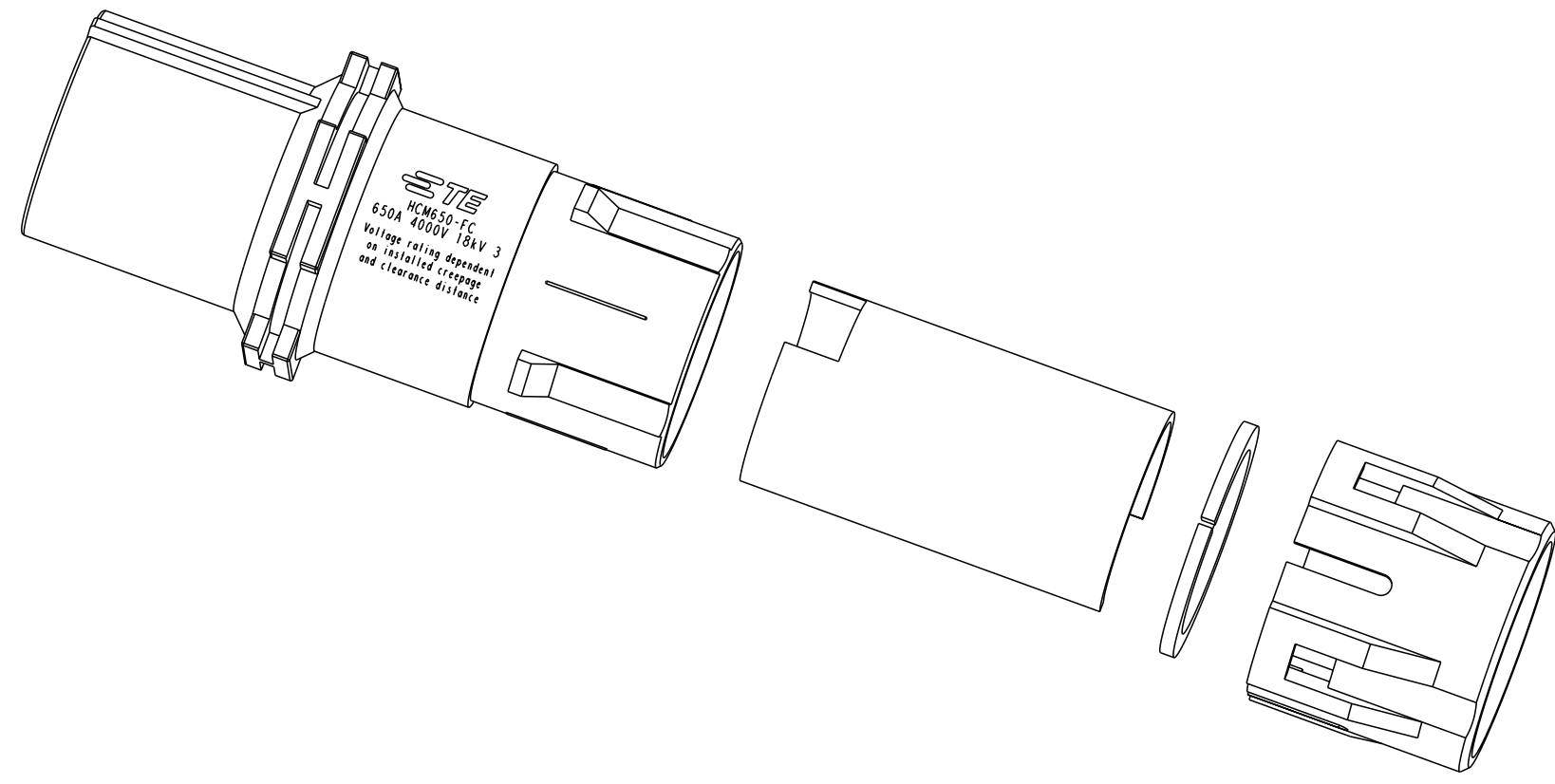


NOTES:

- TECHNICAL CHARACTERISTICS:
 INSULATION MATERIAL: PA
 RATED VOLTAGE: 4000V
 RATED CURRENT: 650A
 RATED IMPULSE VOLTAGE: 18KV
 POLLUTION DEGREE: 3
 FLAMMABILITY: UL94V-0
 WIRE RANGE: 70-240mm²
 CONTACT TYPE: CRIMP CONTACT
- CONTACT NEED TO BE ORDERED SEPARATELY.
 (ORDER No. REFER TO DRAWING: T2196502XXX00X)

注释:

- 技术参数:
 绝缘材料: PA
 额定电压: 4000V
 额定电流: 650A
 额定脉冲电压: 18KV
 污染等级: 3
 阻燃等级: UL94V-0
 接线范围: 70-240mm²
 接线类型: 冷压接
- 端子需要单独订购。
 (订货号参考图面: T2196502XXX00X)



T2196503201-000	HCM650-FC	HCM650 FEMALE INSERT, CRIMP HCM650 母插, 冷压
PART NUMBER 零件料号	PART DESCRIPTION 零件描述	

THIS DRAWING IS A CONTROLLED DOCUMENT.		DWN GINO.YAO 30 JAN 2018	TE Connectivity NAME HCM650-FC													
DIMENSIONS: mm		CHK CHRIS.WANG 30 JAN 2018														
TOLERANCES UNLESS OTHERWISE SPECIFIED:		APVD CHRIS.WANG 30 JAN 2018														
<table border="1"> <tr><td>0 PLC</td><td>±</td></tr> <tr><td>1 PLC</td><td>±</td></tr> <tr><td>2 PLC</td><td>±</td></tr> <tr><td>3 PLC</td><td>±</td></tr> <tr><td>4 PLC</td><td>±</td></tr> <tr><td>ANGLES</td><td>±</td></tr> <tr><td>FINISH</td><td>-</td></tr> </table>		0 PLC		±	1 PLC	±	2 PLC	±	3 PLC	±	4 PLC	±	ANGLES	±	FINISH	-
0 PLC	±															
1 PLC	±															
2 PLC	±															
3 PLC	±															
4 PLC	±															
ANGLES	±															
FINISH	-															
MATERIAL	-	APPLICATION SPEC 114-137074	SIZE A200779													
		RESTRICTED CUSTOMER	CAGE CODE G-T2196503201000													
			DRAWING NO RESTRICTED TO													
			SCALE 1:1													
			SHEET 1 OF 1													
			REV A													

X-ON Electronics

Largest Supplier of Electrical and Electronic Components

Click to view similar products for [Heavy Duty Power Connectors](#) category:

Click to view products by [TE Connectivity](#) manufacturer:

Other Similar products are found below :

[1424439](#) [1424438](#) [09330062652](#) [2-8675P1](#) [605601-1](#) [6340G1](#) [6341G1](#) [6360G1](#) [6373G1](#) [6374g2](#) [6396G1](#) [647757-1](#) [66394-4](#) [6643411-1](#)
[6646058-2](#) [6646137-1](#) [6646138-1](#) [6646348-1](#) [6646479-1](#) [6646608-1](#) [6646786-1](#) [6646940-1](#) [6651091-1](#) [6651525-1](#) [6651529-1](#) [6651778-1](#)
[6651788-1](#) [696465-1](#) [696475-1](#) [73000005059](#) [73000005349](#) [73000005642](#) [73080255059](#) [73080965046](#) [765-15-0080A](#) [765-16-0080B](#)
[789.700-44](#) [789.700-54](#) [80-1010](#) [80-9](#) [827381-1](#) [829992-1](#) [902-77-02113](#) [PL00U-301-10D10](#) [PM103MOOLOO](#) [PM16S1620S32-50](#)
[PM212MOOLOO](#) [PM309FOOLOO](#) [PM324FOOLCH](#) [PMHPAF11S03](#)