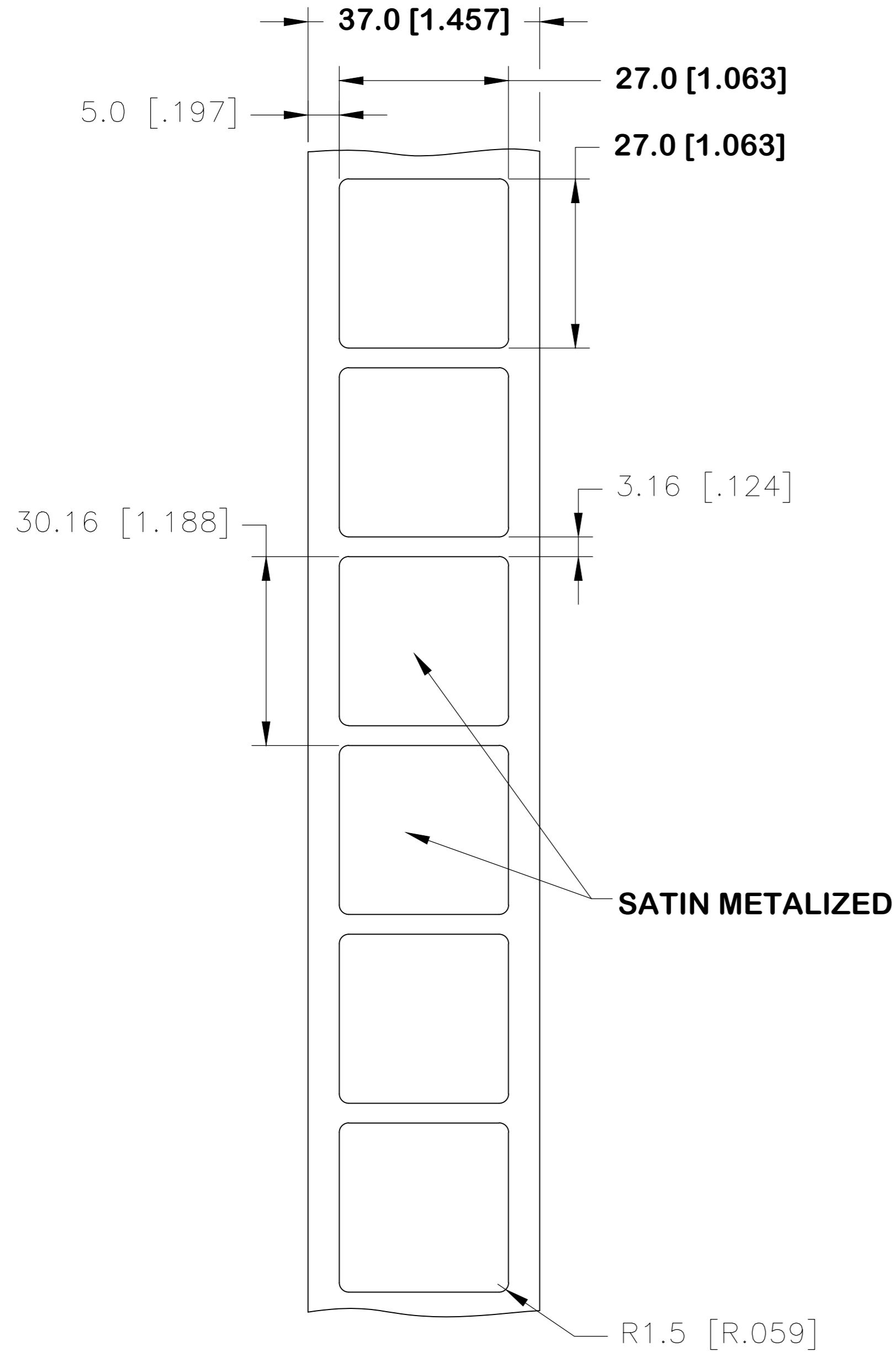
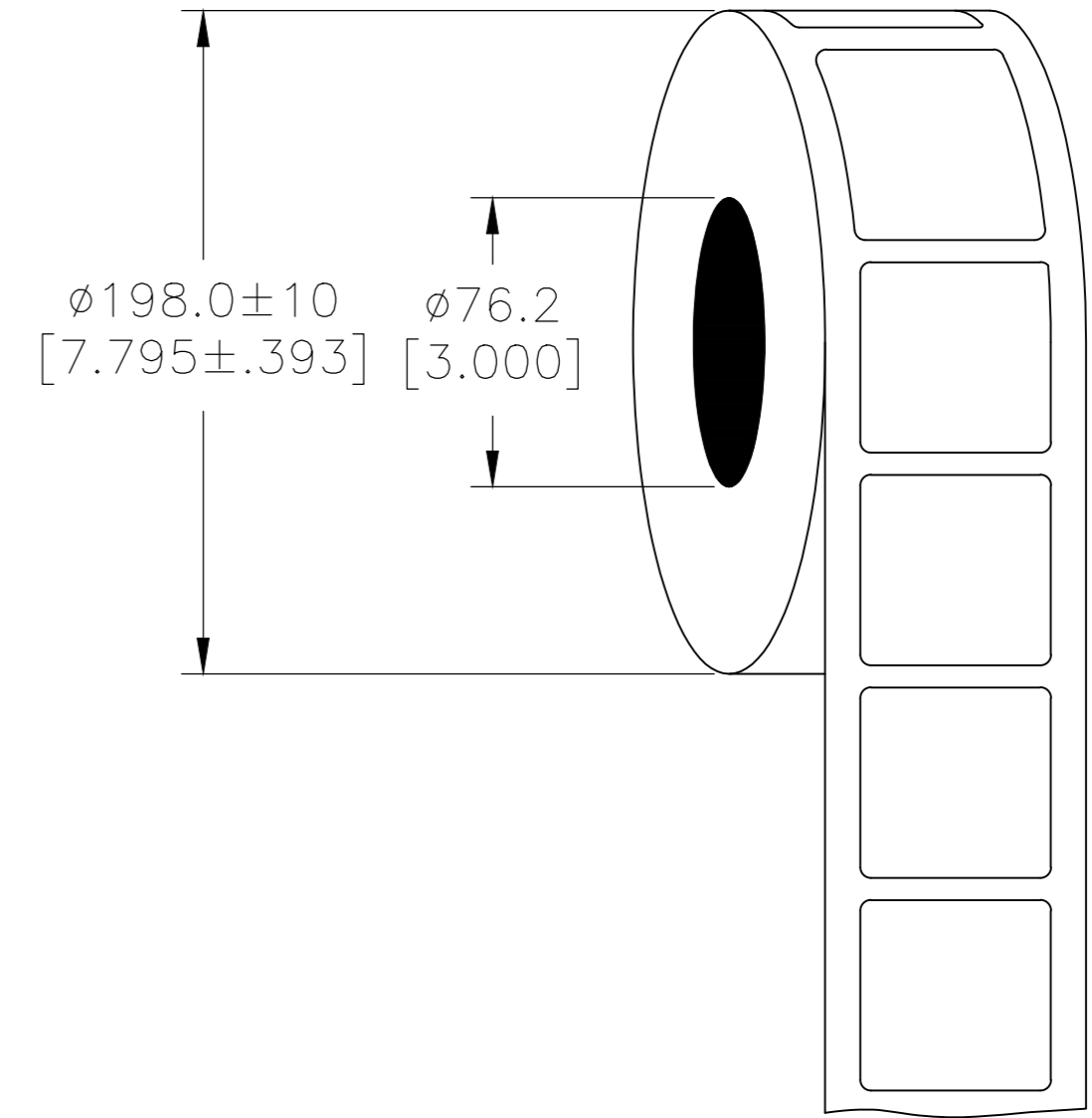


REVISIONS					
P	LTR	DESCRIPTION	DATE	DWN	APVD
	A	NEW DRAWING	21SEP2017	GK	DB
	A1	UL TABLE UPDATED	06JUN2018	GK	DB

LABEL AND LINER DESIGN



PRESENTATION



OUTSIDE WOUND LABEL ACROSS: 1 PER ROLL QTY: 1000

All dimensions in mm [Inch]

TE PN: 2322581-1

UL-MARKING AND LABELLING SYSTEMS	
PGJ12 - Printing Materials - Component (UL 969)	
PGJ18 - Printing Materials Certified for Canada - Component (CSA C22.2 No. 0.15)	
File: MH17292	Product design: PL-8A Ribbon: TTB-XXXSC/YYYYAQ529

TOLERANCES mm [INCH]	
LABEL HEIGHT:	± 0.3 [.012]
LABEL WIDTH:	± 0.3 [.012]
WEB WIDTH:	± 0.5 [.020]
VERTICAL REPEAT:	± 0.5 [.020]*
HORIZONTAL REPEAT:	± 0.5 [.020]*
LABEL POSITIONING:	± 0.5 [.020]*
LEFT MARGIN:	± 0.5 [.020]
QUANTITY:	-0 % +2 %
*NON ACCUMULATING	

MATERIAL	POLYESTER SATIN METALIZED	
ADHESIVE TYPE	ACRYLIC PE FOAM	
LINEAR	BROWN KRAFT	
DWN	GOPALAKRISHNA HV	
CHK	D.BURGAT	
APVD	D.BURGAT	
PRODUCT SPEC	TTDS-245	
APPLICATION SPEC	-	
WEIGHT	0.343 _g	A2 FB1U7
CUSTOMER DRAWING	SCALE NTS	SHEET 1 of 1
REV	A1	

X-ON Electronics

Largest Supplier of Electrical and Electronic Components

Click to view similar products for [Printers category](#):

Click to view products by [TE Connectivity manufacturer](#):

Other Similar products are found below :

[1085267](#) [897252-000](#) [CU0620-000](#) [F39639-000](#) [FTP-020P0704](#) [PT110P01-E](#) [PTMBL1912A](#) [PWC-L07A1-W1-E](#) [DPU-V445-10B-E](#) [D-SCE-12-50-S1-4](#) [D-SCE-2.4-50-4](#) [D-SCE-3.2-50-S1-4](#) [EC9926-000](#) [ED4841-000](#) [IF2302-01UK-E](#) [IF9001-01P-E](#) [2000P-RIBBON-4AG-MED](#) [206868-000](#) [OP-LH200A-E](#) [CA1055-000](#) [LB1256-E](#) [LM-1/4-TUBE-WE](#) [308-LE](#) [SMS-V-19-9](#) [ACUH205A-E](#) [1813390001](#) [T300-RIBBON-WH-HIGH-PERF](#) [FTP-040P001](#) [FTP-622CT001](#) [FTP-628CU601R](#) [FTP-629Y601](#) [240205-000](#) [PW-C0725-W2-U](#) [HANDHELD-TMS-13.2-9](#) [HANDHELD-TMS-3.9-9](#) [HANDHELD-TMS-5.2-9](#) [3045950001](#) [351013-000](#) [RH-48-00-E](#) [4775630001](#) [TSK-508406-2.5CS8982](#) [TTC-PRINTER-PRINthead-300](#) [HW-762254-5-9](#) [IF2301-01B](#) [IFC-001K-E](#) [IFH001-01B](#) [LM-1/2-TUBE-WE](#) [DPU-D3-01A-E](#) [D-SCE-12-50-9](#) [D-SCE-4.8-50-4](#)