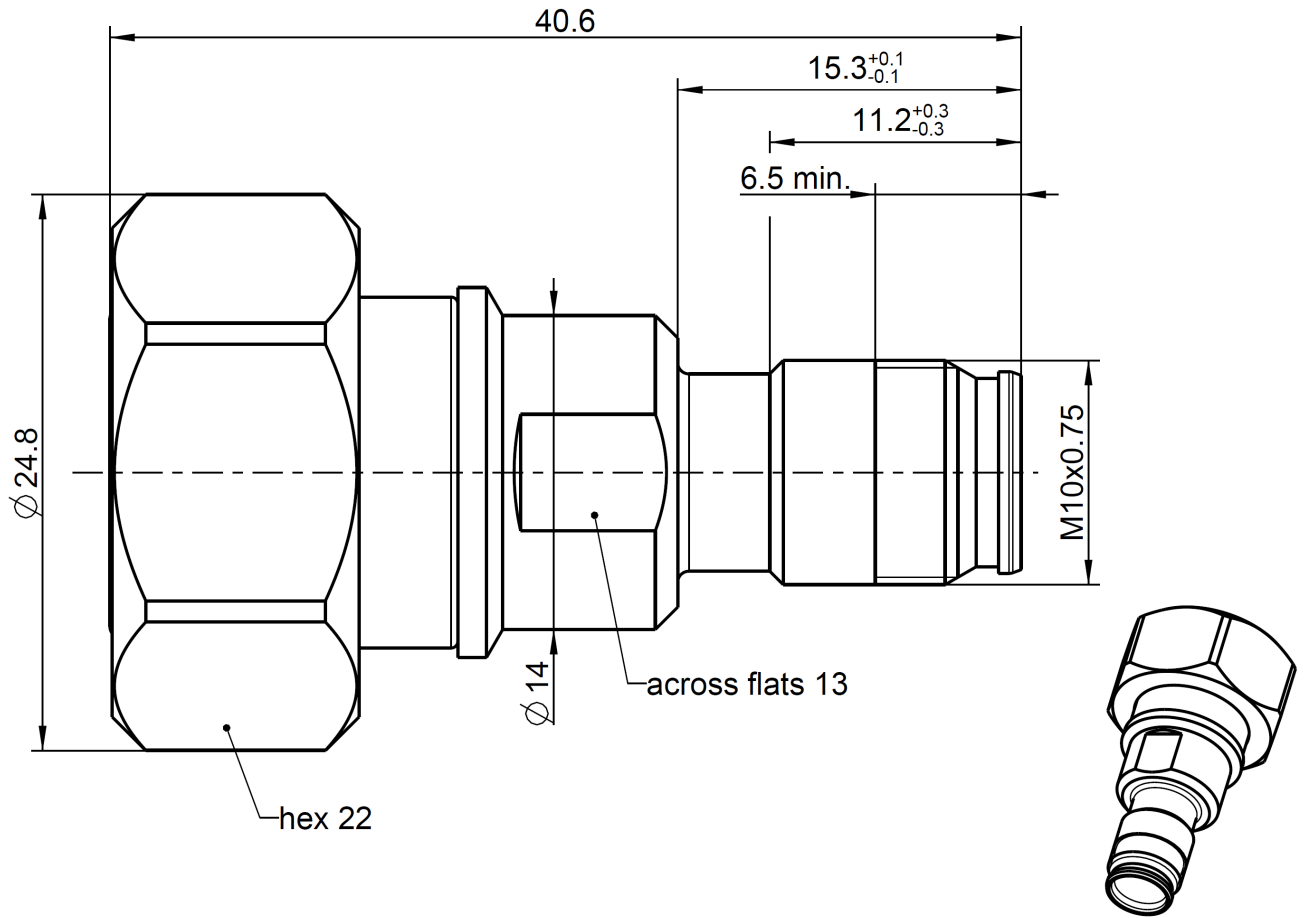


Adaptor
NEX10 jack – 4.3-10 plug

64S189-K00N1



All dimensions are in mm; tolerances according to ISO 2768 m-H

Interface

According to	NEX10 side:	NEX10™
	4.3-10 side:	IEC 61169-54

Documents

Assembly instruction	N/A
----------------------	-----

Material and plating

Connector parts

Center contact	4.3-10 side:	Brass	Plating	Silver, 3-6 µm
Center contact	NEX10 side:	CuBe		Silver, 3-6 µm
Outer contact		Brass		White bronze(e.g. Optalloy®)
Body		Brass		White bronze(e.g. Optalloy®)
Dielectric		PTFE		
Gasket		Silicone		

Dieses Dokument ist urheberrechtlich geschützt • This document is protected by copyright • Rosenberger Hochfrequenztechnik GmbH & Co. KG

RF_35/05.10/6.0

Adaptor
NEX10 jack – 4.3-10 plug

64S189-K00N1

Electrical data

Impedance 50 Ω
 Frequency DC to 12 GHz
 Return loss ≥ 36 dB @ DC to 4 GHz
 ≥ 34 dB @ 4 GHz to 6 GHz
 ≥ 32 dB @ 6 GHz to 10 GHz
 Insertion loss ≤ 0.05 x √ f [GHz] dB
 Insulation resistance ≥ 5 GΩ
 Center contact resistance ≤ 2.0 mΩ, NEX10 side ≤ 1.0 mΩ, 4.3-10 side
 Outer contact resistance ≤ 1.0 mΩ, NEX10 side ≤ 1.0 mΩ, 4.3-10 side
 Test voltage 500 V rms
 RF-leakage ≥ 110 dB @ DC to 6 GHz
 Power handling 100 W @ 2.0 GHz and 85°C ambient temperature

Mechanical data

	NEX10 side	4.3-10 side
Mating cycles	≥ 100	≥ 100
Recommended torque	1.5 Nm	5 Nm

Environmental data

Temperature range -55 °C to +125 °C operating temperature
 Thermal shock IEC 61169-1 9.4.4
 Vibration IEC 61169-1 9.3.3 and IEC 60068-2-64
 Shock IEC 61169-1 9.3.14
 Degree of protection (mated pair) IEC 60529, IP68 24h / 1m
 RoHS compliant

Tooling

N/A

Suitable cables

N/A

Weight

Weight 43.90g/pce

While the information has been carefully compiled to the best of our knowledge, nothing is intended as representation or warranty on our part and no statement herein shall be construed as recommendation to infringe existing patents. In the effort to improve our products, we reserve the right to make changes judged to be necessary.

Draft	Date	Approved	Date	Rev.	Engineering change number	Name	Date
F. Fraunhofer	18.05.17	F. Fraunhofer	16.01.2018	300	18-v026	Tobias Stadler	16.01.2018
Rosenberger Hochfrequenztechnik GmbH & Co. KG P.O.Box 1260 D-84526 Tittmoning Germany www.rosenberger.de						Tel. : +49 8684 18-0 Email : info@rosenberger.de	
							Page 2 / 2

X-ON Electronics

Largest Supplier of Electrical and Electronic Components

Click to view similar products for [RF Adapters - Between Series](#) category:

Click to view products by [Rosenberger](#) manufacturer:

Other Similar products are found below :

[R191203007](#) [R191209000](#) [R191212000](#) [R191215000](#) [R191301000](#) [R191325000](#) [R191389200](#) [R191403000](#) [R191405000](#) [R191416000](#)
[R191419000](#) [R191421000](#) [R191424000](#) [R191445000](#) [R191511000](#) [R191552000](#) [R191720000](#) [R191722000](#) [R191733000](#) [R191759000](#)
[R191841001W](#) [R191911000](#) [R191912000](#) [R192417010](#) [R921390000](#) [ADBJ20-E1-BJ379](#) [ADM2](#) [ADPL75-A1-PL75](#) [ADPL75-E1-UBJ20](#)
[9317505](#) [931RPBUFLP](#) [AD130](#) [ADBJ20-E1-PL74](#) [ADBJ20-E2-BJ79](#) [ADBJ77-A1PL3155](#) [ADBJ77-E1-UPL20](#) [ADBJ77-E2-PL20](#) [242215](#)
[242228](#) [R125680000W](#) [R191117000](#) [R191123000](#) [R191.147.000](#) [R191303000](#) [R191313000](#) [R191315000](#) [R191316700](#) [R191327000](#)
[R191331000](#) [R191333000](#)