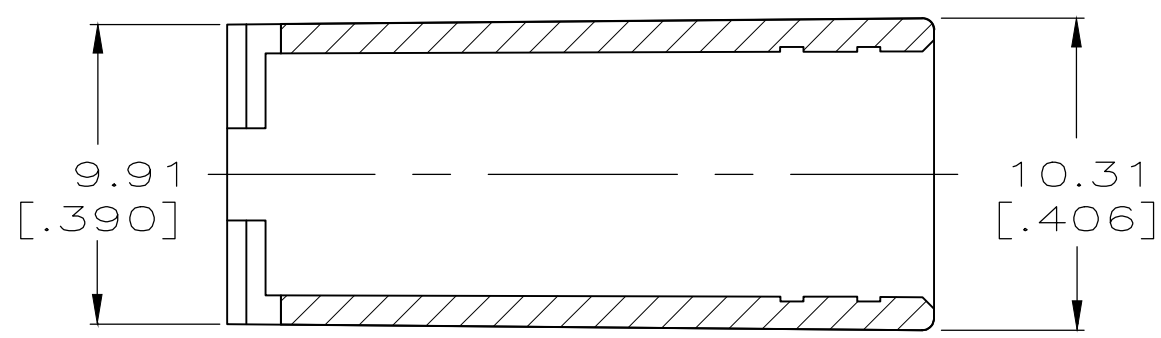
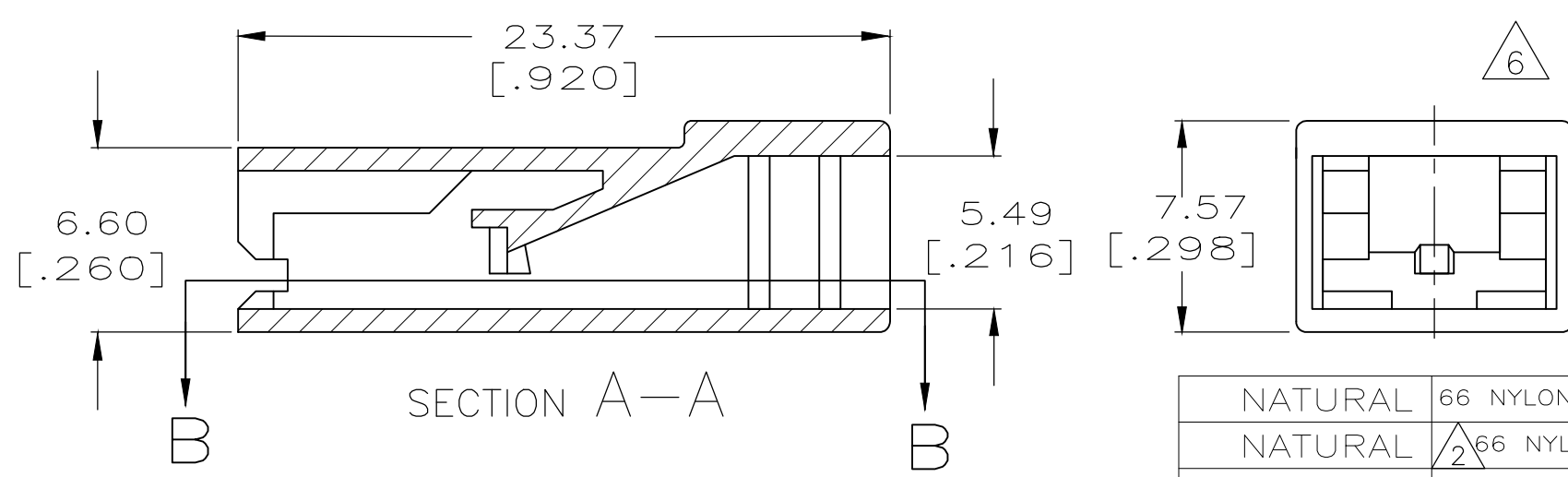


THIS DRAWING IS UNPUBLISHED. RELEASED FOR PUBLICATION
 © COPYRIGHT - By - ALL RIGHTS RESERVED.

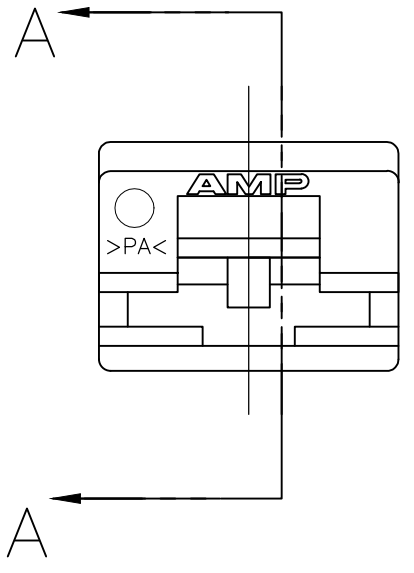
REVISIONS				
P	LTR	DESCRIPTION	DATE	APVD
	AC10	REVISED PER ECR-18-006282	24MAY2018	BDA DS



SECTION B-B



SECTION A-A



- 1 SPECIAL PACKAGING QUANTITIES.
- 2 POLYAMIDE ACCORDING TO IEC 60335-1, GLOW WIRE.
- 3 PRELIMINARY - NOT FOR PRODUCTION
- 5 CONTACT PRODUCT ENGINEERING FOR TERMINAL RECOMMENDATIONS WHEN USING THIS INSULATOR WITH 10 AWG WIRE
- 6 NOT FOR PRODUCTION: AGENCY APPROVAL IS PENDING.

SUPERSEDED BY 2-480416-5
 SUPERSEDED BY 1-480416-0
 OBSOLETE
 SUPERSEDED BY 1-480416-0

FINISH	MATERIAL	PART NO
NATURAL	66 NYLON, UL94 V0 150C	2-480416-4
NATURAL	66 NYLON, UL94 V0	2-480416-3
NATURAL	UL94 V2	2-480416-2
NATURAL	6/6 NYLON	2-480416-1
NATURAL	UL94 5VA RATED	2-480416-0
NATURAL	4/6 NYLON UL 150	1-480416-8
NATURAL	66 NYLON, V0	1-480416-7
NATURAL	POLYESTER	1-480416-6
RED	6/6 NYLON	1-480416-4
BLUE		1-480416-3
BLACK		1-480416-1
NATURAL		1-480416-0

6	NATURAL	66 UL NYLON V0 NATURAL	2-480416-5
6	BLACK	66/6 V0 BLACK	480416-2
6	NATURAL	66/6 V0 NATURAL	480416-1
	FINISH	MATERIAL	PART NO

THIS DRAWING IS A CONTROLLED DOCUMENT.

DWN	JR RUTH	2/4/91
CHK	P FORTNEY	2/4/91
APVD	C MEYERS	2/4/91
PRODUCT SPEC	NAME	
APPLICATION SPEC	HOUSING, RECEPTACLE, FASTON, 6.35 [.250] SERIES	
WEIGHT	SIZE	CAGE CODE
	A3	00779
	DRAWING NO	RESTRICTED TO
	C-480416	-
CUSTOMER DRAWING	SCALE	SHEET
	4:1	1 OF 1
	REV	AC10

X-ON Electronics

Largest Supplier of Electrical and Electronic Components

Click to view similar products for [Terminals](#) category:

Click to view products by [TE Connectivity](#) manufacturer:

Other Similar products are found below :

[HT-13-10](#) [71M-250-32-NB](#) [01-2065-1-0216](#) [00581P0075](#) [M10-10RX](#) [M10BCK](#) [60205-1](#) [604200-1](#) [60598-1-CUT-TAPE](#) [60617-1-C](#) [60873-1](#) [M14-516R/SK](#) [M14-6RSX](#) [M18-10FLX](#) [M18-8FBX](#) [M18-8R/LX](#) [M18BCK](#) [61314-6-C](#) [61-S](#) [61-SN-A](#) [62-NBM-A](#) [63-S](#) [640179-1](#) [640917-2-CUT-TAPE](#) [6501550002](#) [66107-2-C](#) [696683-1](#) [696834-1](#) [696861-1](#) [696931-1](#) [696999-1](#) [M8-516RK](#) [M86700006](#) [MA250DMFMX-A](#) [701-2007](#) [701-2307](#) [701-7761-03](#) [70F-110-32-PB](#) [718-N-A](#) [71M-187-20-NBL](#) [71M-250-32-NBL](#) [72F-187-20-NBL](#) [72M-250-32-NBL](#) [7310](#) [73F-250-32](#) [73F-250-32-NBL](#) [73F-250-32-NL](#) [F14-10C](#) [F-1M](#) [751-250](#)