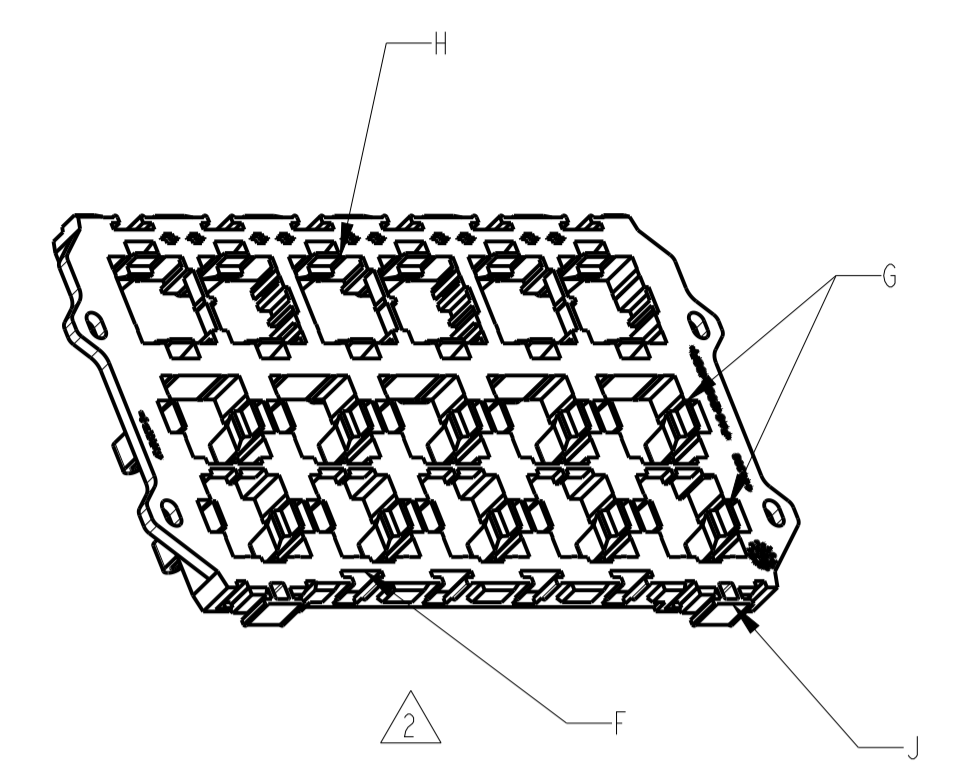
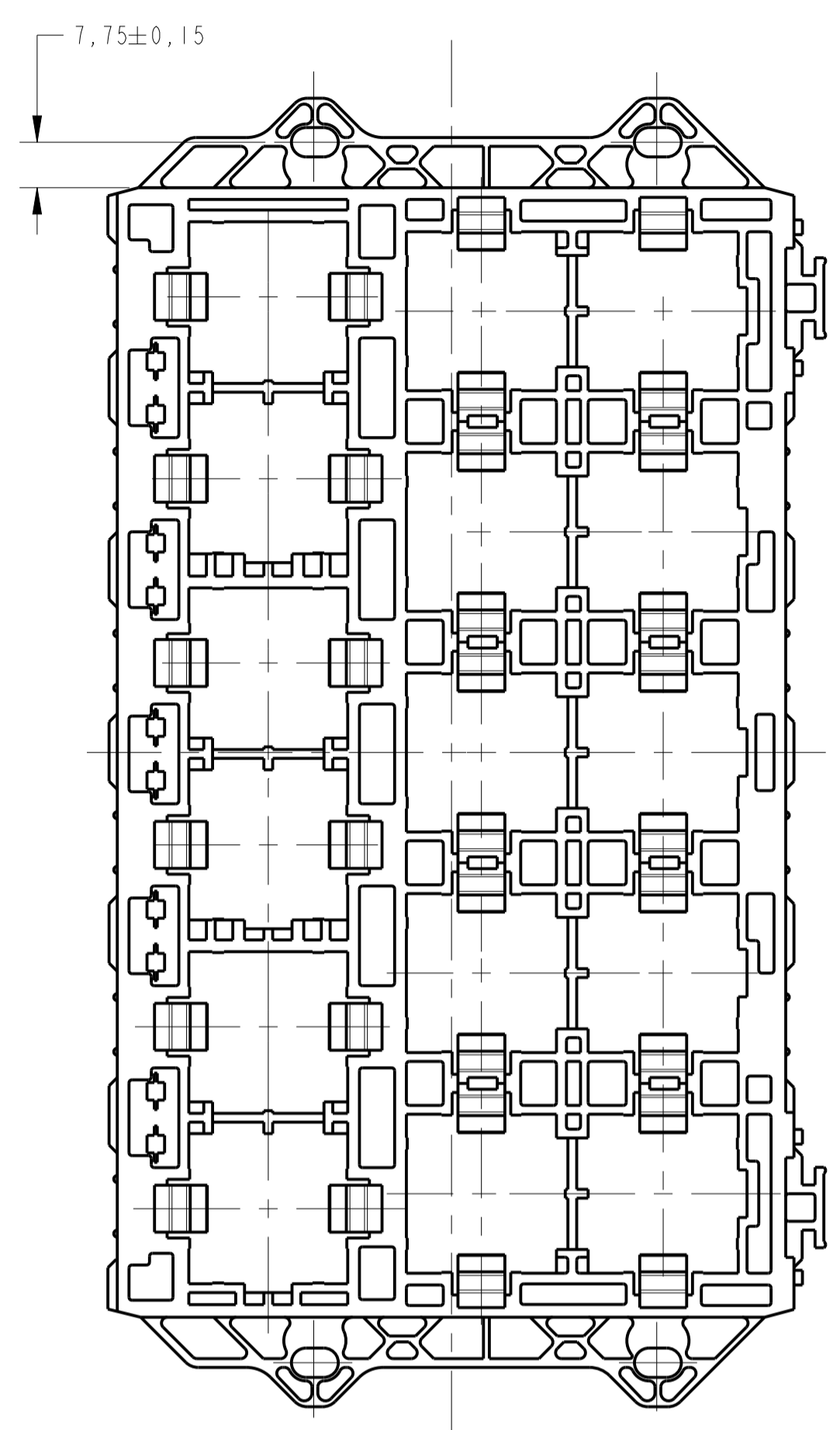
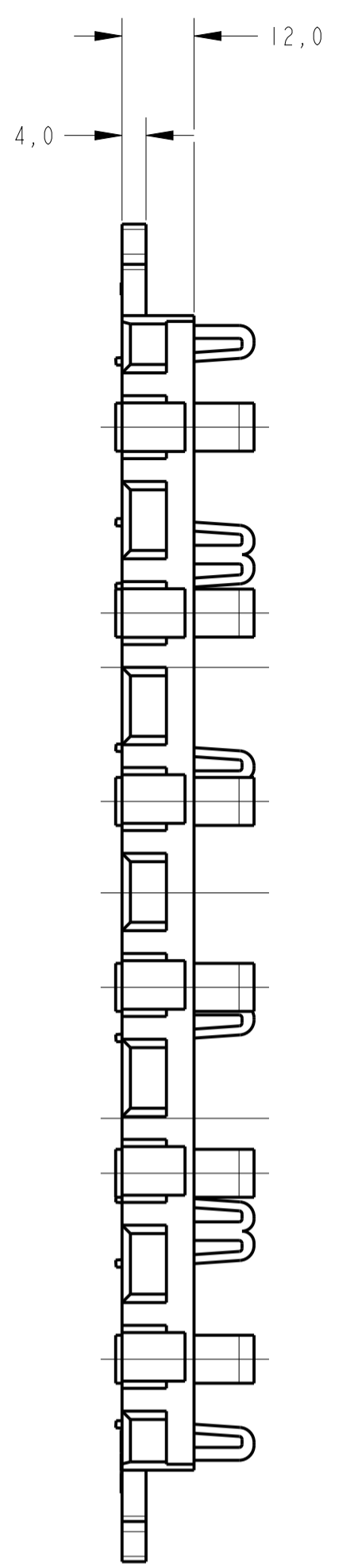
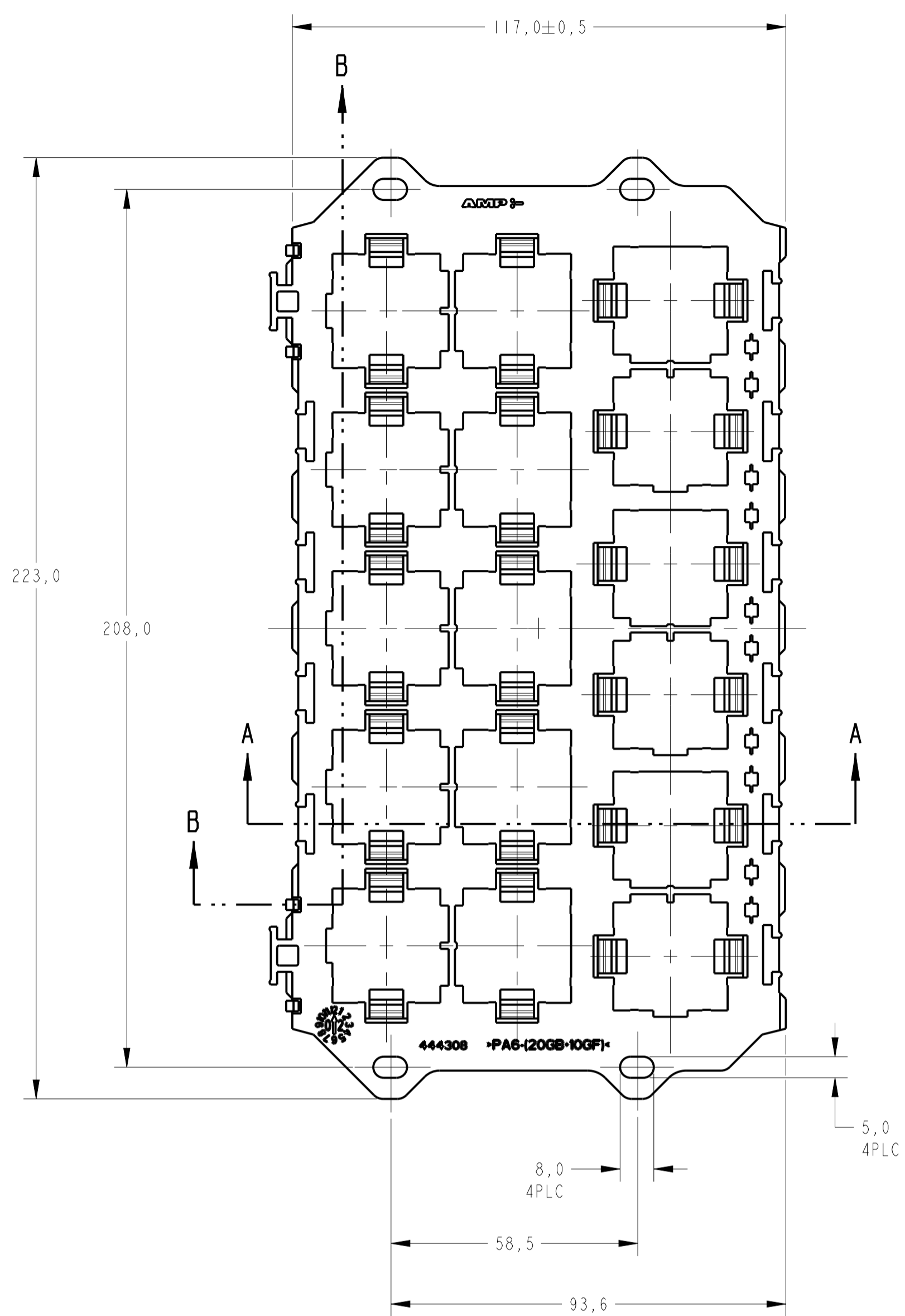


LOC	DIST	REV	DATE	BY	APPV
AP	-	C2	20NOV2014	NCL	GOJ

REVISIONS

DESCRIPTION	DATE	BY	APPV
CHANGE STATUS ECO-14-017499	20NOV2014	NCL	GOJ

creo
 Creo Parametric 2.0
DO NOT REVISE EXCEPT BY CAD



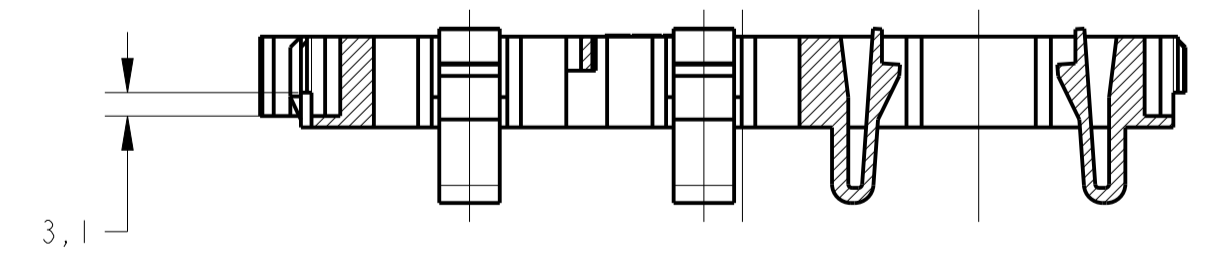
PERSPECTIVE VIEW
 SCALE 1:2

GRAVAÇÃO
LOGOTIPO AMP
AMP LOGO
CODIGO PAIS PRODUTOR
MANUFACTURER COUNTRY CODE
NOMENCLATURA MATERIAL
MATERIAL NOMENCLATURE
NÚMERO COMPONENTE
COMPONENT NUMBER
DATADOR
DATE CODE

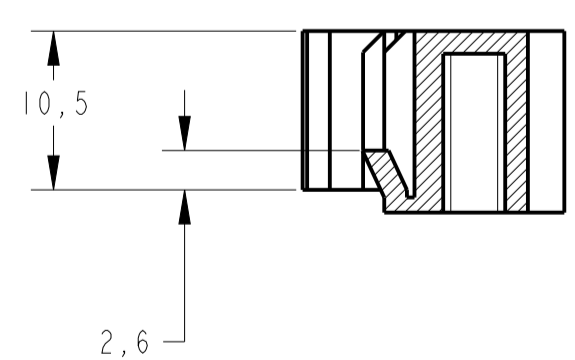
1 - DUAS OU MAIS PEÇAS 444308
 PODEM SER MONTADAS ENTRE SI
 ATRAVÉS DA JUNÇÃO J.

1 - TWO OR MORE PARTS 444308
 CAN BE MATED THEMSELVES
 THROUGH JOINT J.

△ - CONECTORES QUE PODEM SER USADOS:
 △ - CONNECTORS THAT CAN BE USED:



SECTION A-A



SECTION B-B
 SCALE 2:1

DESENHO Nº	DESCRIÇÃO	POSIÇÃO
DWG NO.	DESCRIPTION	POSITION
444309	POWER GROUND ASSY	F
444311	HSG. FOR DIODES	G
444312	HSG. FOR FUSES	G
444313	RELAY SUPPORT	H
444314	RELAY SUPPORT	F / J

FINISH	MATERIAL	PART NUMBER
PRETO / BLACK	PA6-(20%GB+10%GF)	444308 -2
PRETO / BLACK	PA 6.6 + 33% FV/GF	444308 -1

THIS DRAWING IS A CONTROLLED DOCUMENT.		DWN	N.C. LAPRESA	02SEP99
DIMENSIONS:		CHK	P.L. FARIA	28JAN00
mm		APV	L.G. DALTO	31JAN00
TOLERANCES UNLESS OTHERWISE SPECIFIED:		NAME		
0 PLC ±		PRODUCT SPEC		
1 PLC ±0,3		APPLICATION SPEC		
2 PLC ±		SIZE		
3 PLC ±		CAGE CODE		
4 PLC ±		DRAWING NO		
ANGLES ±		RESTRICTED TO		
FINISH SEE TABLE		WEIGHT		
SEE TABLE		A1 00779 ©=444308		
MATERIAL		Customer Drawing		
SCALE		SHEET		
1:1		OF		
		REV		
		C2		

STE TE Connectivity
 FRAME, FUSE RELAY BOX

X-ON Electronics

Largest Supplier of Electrical and Electronic Components

Click to view similar products for [Automotive Connectors](#) category:

Click to view products by [TE Connectivity](#) manufacturer:

Other Similar products are found below :

[003-018-000](#) [600858](#) [60403001](#) [60993906-B](#) [60993913-B](#) [629515004020001](#) [M902-2131](#) [M902-2161](#) [M902-2344](#) [72.330.1035.1](#)
[73.353.4028.0](#) [F118010](#) [F119300-B](#) [F132210](#) [F132210-B](#) [F166900](#) [F180100](#) [F258300](#) [F258300-B](#) [F294300-B](#) [F339100](#) [F339700](#) [F358300-](#)
[B](#) [F374110](#) [F407400](#) [F412210](#) [F427600](#) [F444110](#) [F487000](#) [F495100-B](#) [F500900-B](#) [F509500B-B](#) [770444-1](#) [776880-1](#) [827153-1](#) [881735-1](#)
[8N1515-32-24P](#) [9-1326727-8](#) [9-1326729-8](#) [925467-1](#) [925474-1](#) [928905-1](#) [936398-2](#) [964562-1](#) [964562-4](#) [964731-2](#) [965051-1](#) [968782-1](#)
[GT17SA-8DS-HU](#) [GT17VS-10DP-5.2CF](#)