

CDB43198K Kit Manual

Features

- Configurable serial audio headers for PCM, DSD and DoP audio
- Headphone and line outputs
- Analog and S/PDIF audio input
- USB audio module capability
- WISCE™ I²C-based software control
- Windows® compatible

Description

The CDB43198K is a dedicated platform for testing and evaluating the CS43198. The CS43198 is a high-performance audio DAC with integrated impedance detection and headphone drivers. To allow comprehensive testing and evaluation of the performance of the CS43198, extensive software-configurable options are available through the CDB43198 evaluation kit. The kit also included the CDB-HDR-MEAS, for measuring the 130 dB dynamic range performance of the CS43198.

Software options, such as register settings for the CS43198, are configured via the WISCE software tool, which communicates with the CDB43198K via an Aardvark I²C/SPI host adapter from a Windows computer, or via Mini-USB cable.

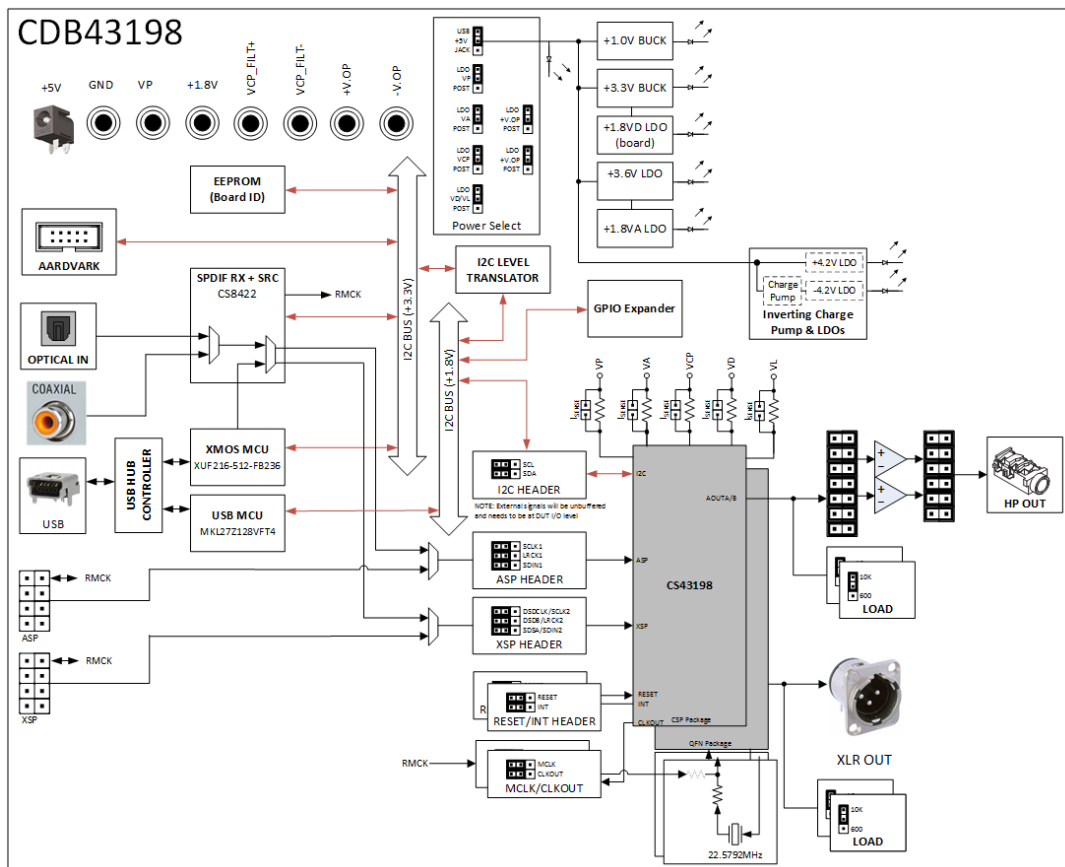


Figure 1 CDB43198 Board Block Diagram

Table of Contents

1 CDB43198K Kit Overview	3
1.1 CDB43198 Board.....	3
1.2 CDB-HDR-MEAS Board.....	3
2 CDB43198 Board Overview	4
2.1 Power Supply Circuitry.....	5
2.2 Digital Audio Input.....	6
2.3 Analog Audio Output.....	9
2.4 OPA1622 Output.....	10
2.5 I ² C Control.....	12
2.6 LEDs.....	12
2.7 List of Headers and Jumper Settings.....	13
2.8 Codec MCLK Selection.....	15
2.9 Clock Sources.....	15
3 Board Control Register Quick Reference	16
3.1 Register Descriptions.....	16
4 CDB-HDR-MEAS High Dynamic Range Measurement Preamplifier	20
4.1 Powering the CDB-HDR-MEAS.....	20
4.2 How the CDB-HDR-MEAS Works.....	21
5 Testing the CS43198 using WISCE	22
5.1 Launching WISCE.....	22
5.2 Loading the CDB43198 board Panel and Register Map.....	23
5.3 Loading the CS43198 Plugins and Register Map.....	25
5.4 Initializing the Devices on the CDB43198 Board.....	27
5.5 CS43198 Plugin.....	28
6 Testing Various Use cases	42
6.1 Data Flow for Various Use Cases.....	43
6.2 Measuring Dynamic Range and THD+N for the CS43198.....	45
6.3 Measured Results.....	55
7 Revision History	55

1 CDB43198K Kit Overview

The CDB43198K kit consists of an evaluation board, a high dynamic range (HDR) measurement board, and a USB cable. Each of these component boards is described in the following sections.

1.1 CDB43198 Board

The CDB43198 is shown in the following figure.

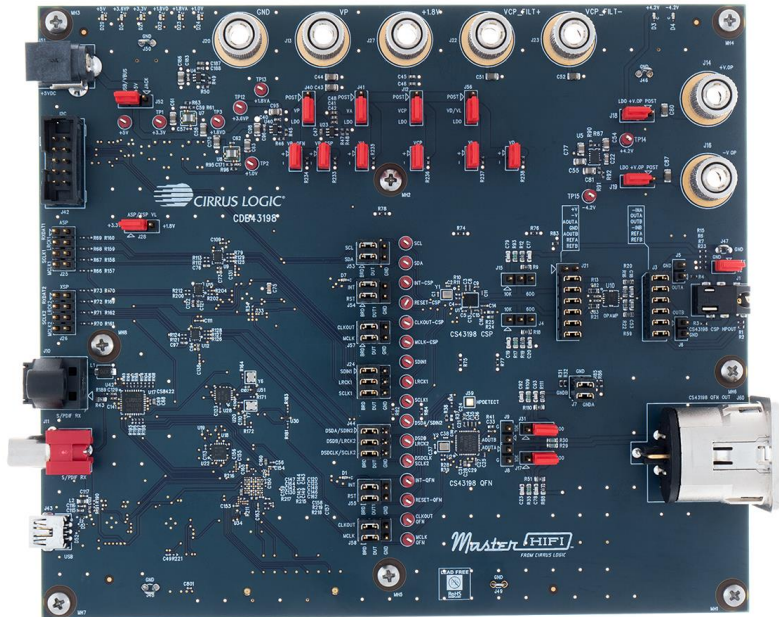


Figure 2 CDB43198 Base Board

1.2 CDB-HDR-MEAS Board

The CDB-HDR-MEAS is shown in the following figure. This board is used for measuring the very low HDR of the device with an Audio Precision SYS-2700 or APx555 audio analyzer.



Figure 3 CDB-HDR-MEAS Board

2 CDB43198 Board Overview

The CDB43198 is the board for evaluating the performance of the CS43198. It supports multiple power supplies and signal I/O configurations.

The CDB43198 board uses five buffers with direction control to direct clock from the digital input sources to/from the CS43198 DUTs. Two buffers, the PCM/DoP buffer and the DSD/DoP buffer, support voltage translation from 3.3 V to 1.8 V and vice versa. The voltage selection is done through headers: J28 for the PCM/DoP buffer and the DSD/DoP buffer. The S/PDIF buffer is a unidirectional buffer and supports 3.3 V to 1.8 V translation. The remaining buffers only support 1.8 V signals. These buffers are controlled by an I/O Expander. The I/O Expander can be controlled through its I²C interface. The register map for I/O Expander is described in [Section 3](#). The direction of clock signals is determined by the CS43198's operating mode (master or slave mode).

The CDB43198 can also communicate with a smart codec through the use of J42. The purpose of using a smart codec is to allow the user to perform listening tests with various equalizer (EQ) filters based on the impedance of the attached headphone. The CDB43198 board allows the PCM input to be routed to the smart codec. The codec can then apply an EQ filter on this data, based on the impedance of the attached headphone and send EQ-filtered data to the CS43198, for an optimal listening experience. The following diagram shows an overview of the CDB43198 board.

Since the CDB43198 does not have an integrated headphone driver, there is an OPA1622 High-Fidelity Audio Amplifier on the output of the CSP device, which is able to drive headphone type loads.

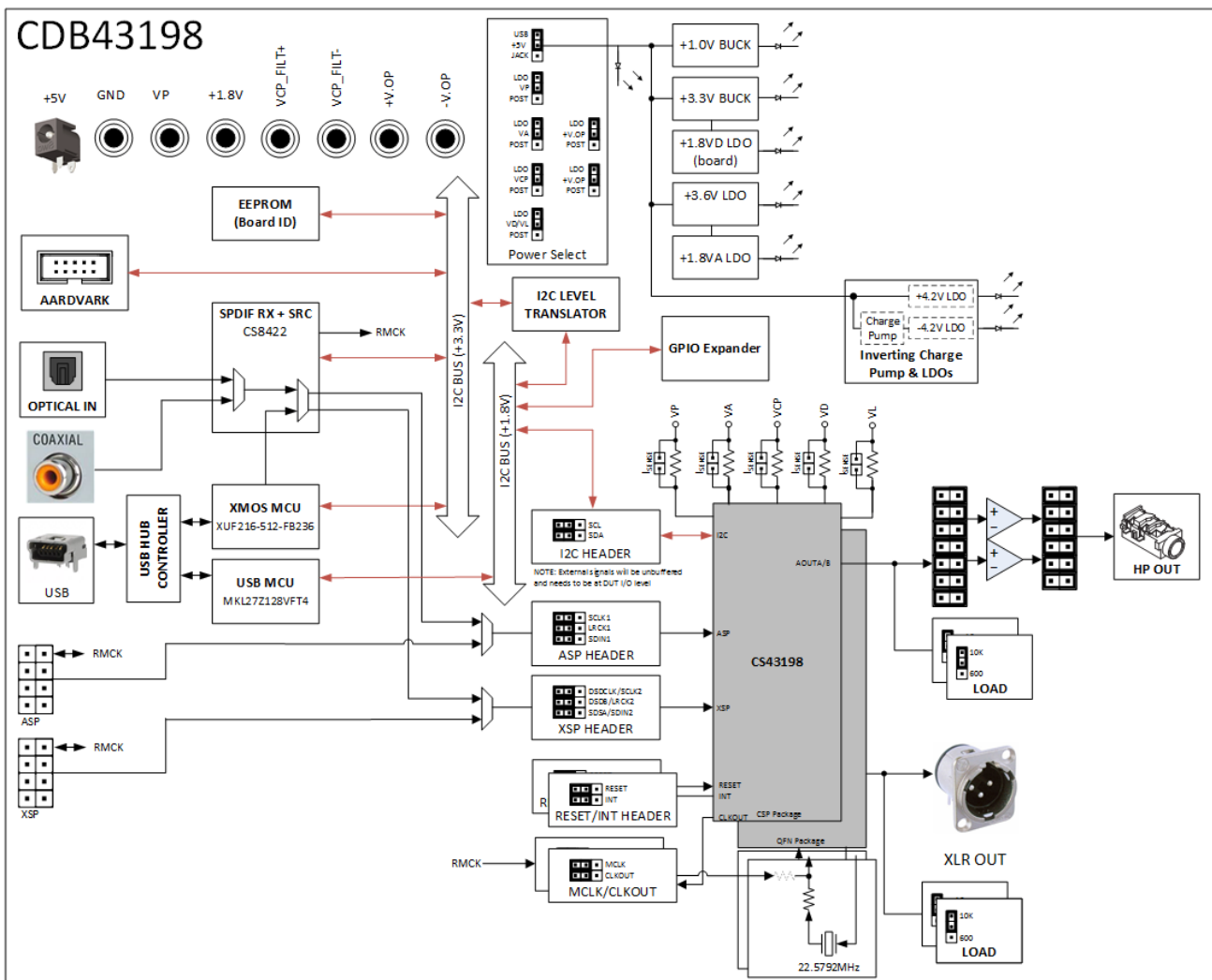


Figure 4 CDB43198 Block Diagram

2.1 Power Supply Circuitry

The CDB43198 board is powered from a 5-volt, 1.2-amp AC adapter. All the supply rails for both the smart codec and the CS43198s are generated using a combination of switched-mode power supplies (switchers) and LDOs. In addition to these internal supplies, the CDB43198 board also provides the option of powering the CS43198 supply rails from external bench supplies via banana jacks.

The switchers and LDOs step down the +5 V supply to 3.6 V, 3.3 V, 1.0 V, 1.8 V (analog), and 1.8 V (digital) levels.

If the device is set into External VCP_FILTER Supply Mode and bypass the internal Class-H charge pump circuit, then a ± 3 -volt supply must be applied to VCP_FILTER+ and VCP_FILTER-. The banana jacks are connected to each device through a set of resistors (R24/R25 for the CSP device, and R40/R41 for the QFN device). These resistors are unpopulated by default and will need to be populated with a 0- Ω resistor to connect the jack to the DUT.

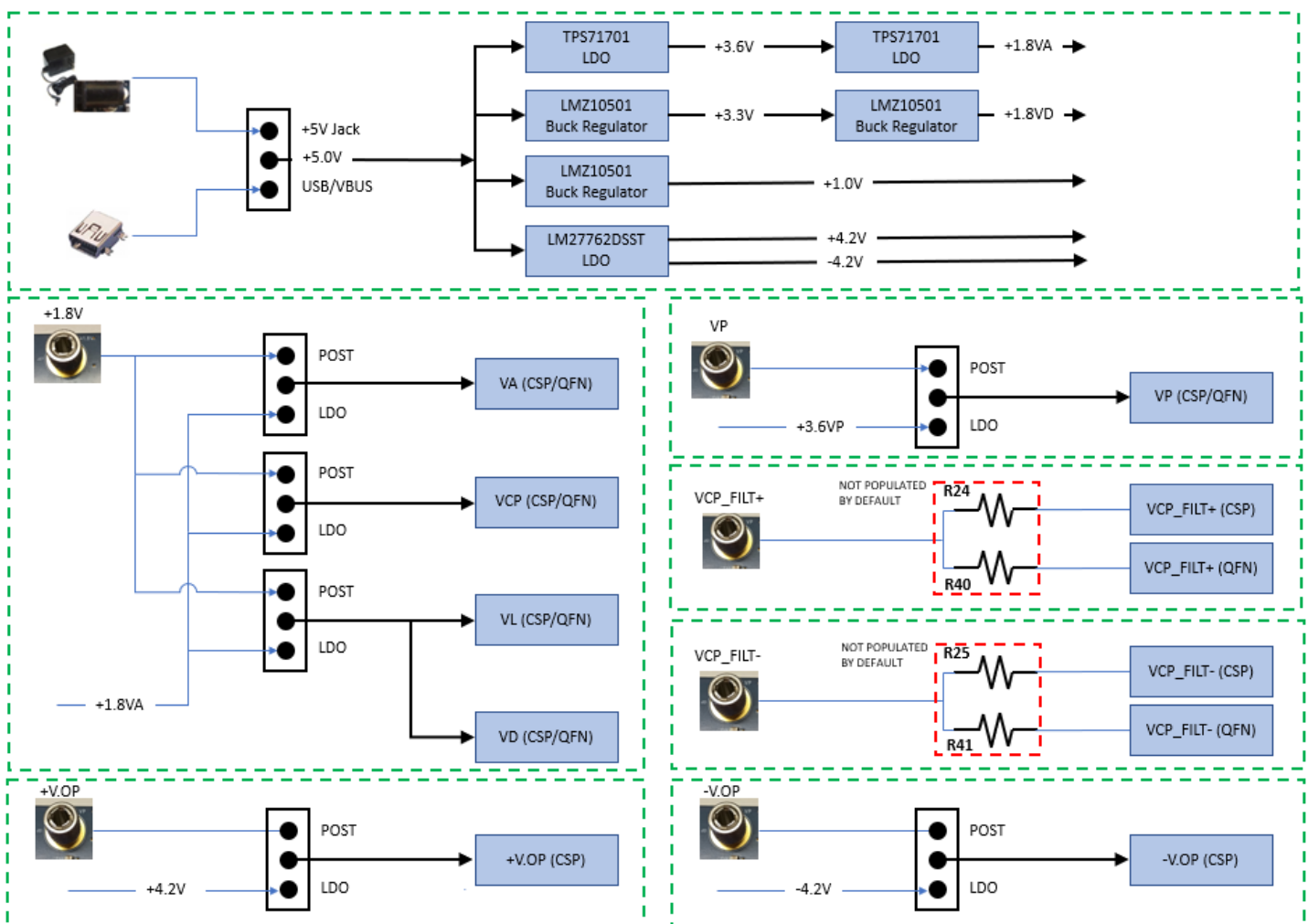


Figure 5 CDB43198 Power Supplies

2.2 Digital Audio Input

2.2.1 Serial Audio I/O Headers

Headers J25 and J26, labeled ASP and XSP respectively, provide an interface for serial audio clocks and data. The source of the clocks and data can be an external audio source such as a Audio Precision audio analyzer. The header signals are described in the table below. The logic level on these pins is selectable by jumping J28 to 3.3 V or 1.8V.

Table 1 Serial Audio Header Pinout

Reference Designator	Pins	Pin Designation	Direction	Description
J25	7	MCLK	I/O	Master clock
	5	SCLK	I/O	Bit clock
	3	LRCLK	I/O	Frame clock
	1	RXDAT	Input	Serial data
	2,4,6,8	Ground	Ground reference	Board ground
J26	7	MCLK	I/O	Master clock
	5	SCLK	I/O	Bit clock
	3	LRCLK	I/O	Frame clock
	1	RXDAT	Input	Serial data
	2,4,6,8	Ground	Ground reference	Board ground

Audio signals to/from these headers are routed to/from the CS43198 using voltage-level translation buffers. The direction of clock and data through these buffers is controlled using on-board TCA6424 I/O Expander IC. U9, U12, and U15 translate the signals on J25 and J26 from a voltage of 3.3 V or 1.8 V to the operational voltage of 1.8 V. The ASP signals are then fed into J24, while the XSP signals are fed into J44. These 3x3 pin headers are for passing the I²S data from the CS8422 S/PDIF transceiver to the DUTs.

To avoid the latency caused by buffers for higher clock frequencies like 352.8 kHz or 384 kHz, the user can connect the external audio source directly to pins on headers J24 and J44. The pinouts for headers J24 and J44 are shown in the following tables.

Table 2 Pinouts for Header J24

Pin #	Signal
1	SCLK1 from Buffer
2	SCLK1 to DAC
4	LRCLK1 from Buffer
5	LRCLK1 to DAC
7	SDIN1 from Buffer
8	SDIN1 to DAC
3,6,9	Ground

Table 3 Pinouts for Header J44

Pin #	Signal
1	SCLK2 from Buffer
2	SCLK2 to DAC
4	LRCLK2 from Buffer
5	LRCLK2 to DAC
7	SDIN2 from Buffer
8	SDIN2 to DAC
3,6,9	Ground

To source the signals from the output of the buffers to the DAC, place jumpers between the two columns of pins labeled BRD and DUT. For example, in order to send SCLK1, LRCLK1 and SDIN1 signals from the buffer to the DAC, place jumpers between pins of the BRD and DUT group as shown in the following figure.

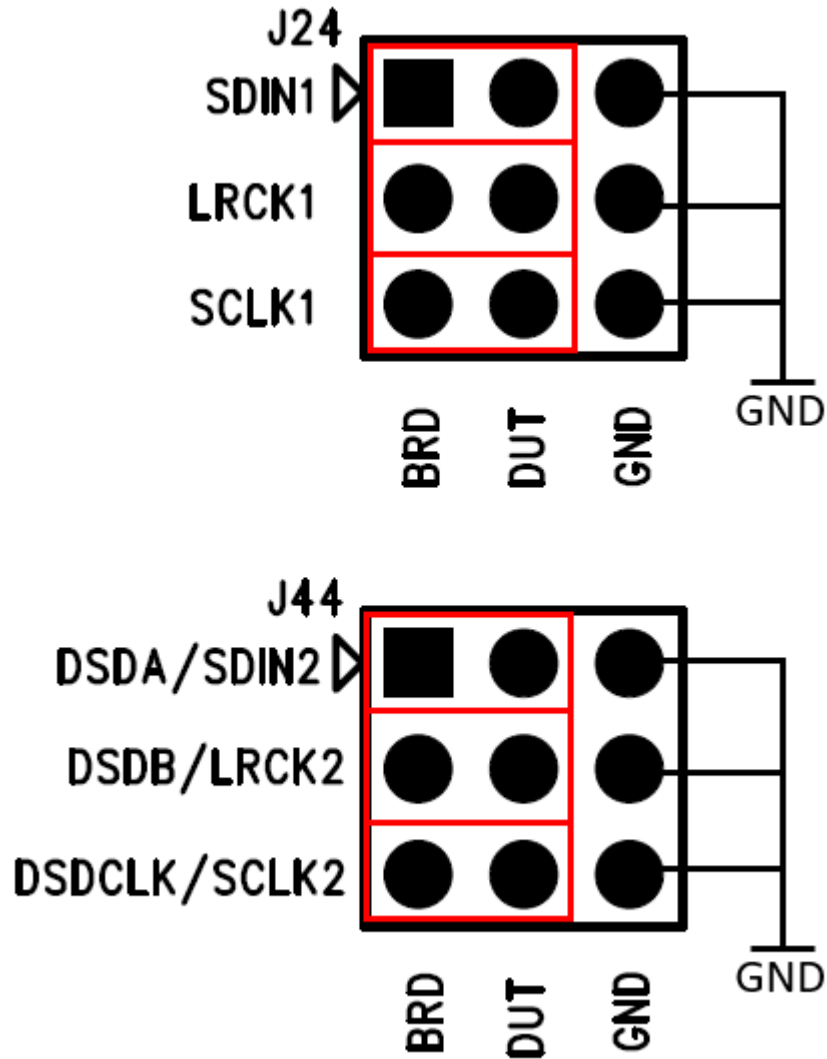


Figure 6 Jumper Settings to Route Signals from Buffers to DUT

To source the signals from external audio source like a Audio Precision APx555, connect the cable that fits onto a 2-pin header onto the pins labeled DUT and GND. For example, in order to send SCLK1, LRCLK1 and SDIN1 signals from a APx to the DAC, connect the BITCLK output from the APx to the SCLK1 pins in the AP group, Frame CLK output from the APx to LRCLK1 pins in the AP group, and the RXDAT1 output from the APx to SDIN1 pins in the AP group as shown in the following figure.

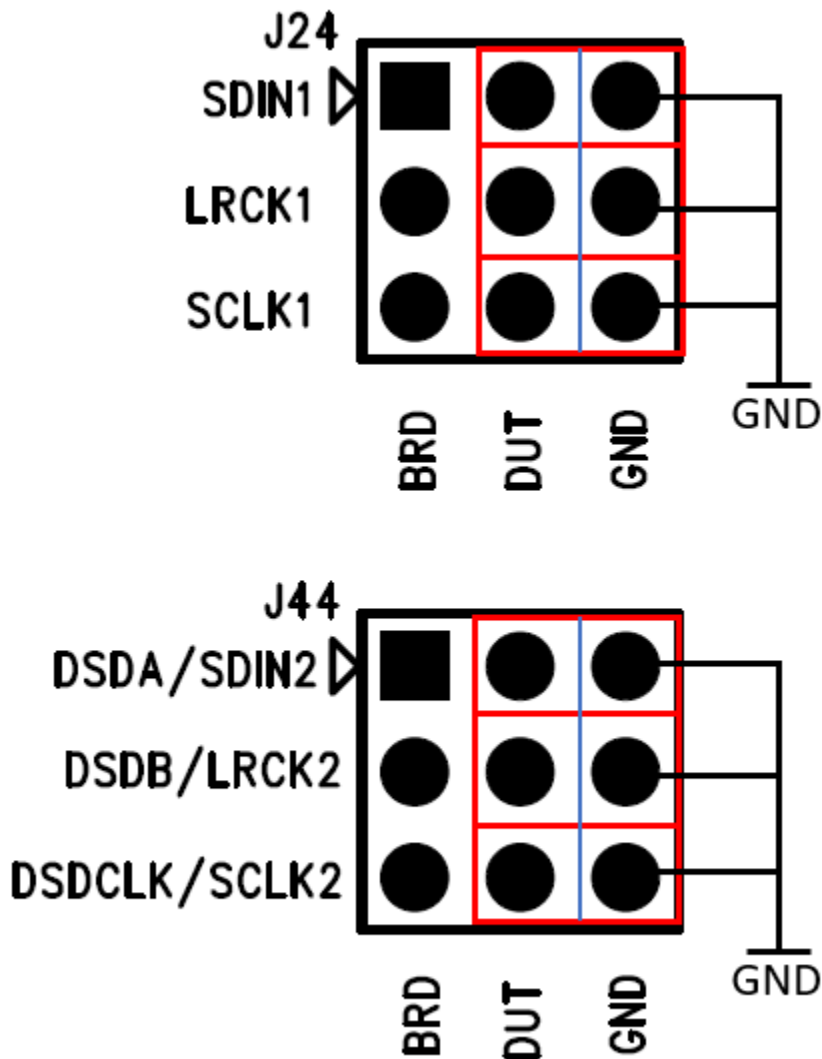


Figure 7 External Audio Source to DUT

2.2.2 S/PDIF Receiver

The CS8422 S/PDIF receiver provides two-channel digital input either from an optical or coax connector. The CS8422 can support sample rates up to 211 kHz and data output with either 16-, 18-, 20-, or 24-bit word lengths. The user should make sure that only one source, either S/PDIF or coax, is used at one time to provide the input. The CS8422 is configured to operate in Hardware Mode.

2.4 OPA1622 Output

On the CS43198-CSP, there is a OPA1622 high-fidelity audio opamp. This is used for driving headphone loads of 600 Ω or less. The opamp is dual channel, with 1 channel connected to OUTA and the other channel connected to OUTB. The opamp circuit connects to the CS43198 through header J21. The signal mapping is shown below. By default, the jumpers are installed horizontally.

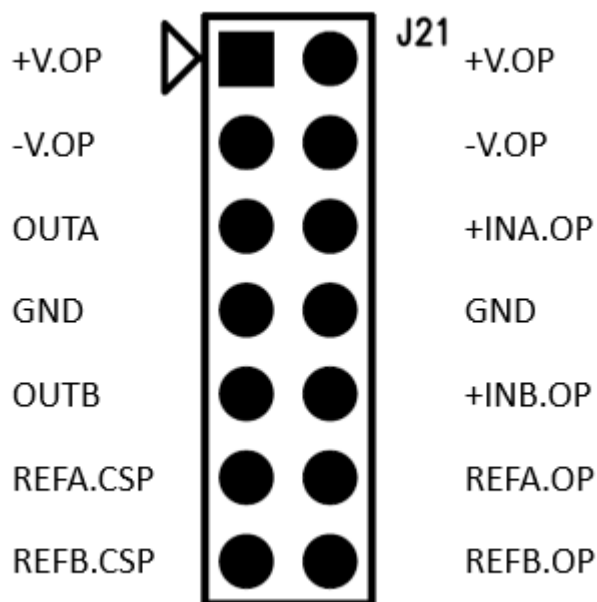


Figure 9 J21 Opamp Header

Table 4 J21 Header Pinout

Header	Pins	Designation	Description
J42	1, 2	+V.OP	+4.2 V OP-AMP Power
	3, 4	-V.OP	-4.2 V OP-AMP Power
	5	OUTA	Signal coming from OUTA of the CS43198
	6	+INA.OP	Input to OP-AMP-A (Non-Inverting)
	7, 8	GND	Ground
	9	OUTB	Signal coming from OUTB of the CS43198
	10	+INB.OP	Input to OP-AMP-B (Non-Inverting)
	11	REFA.CSP	OUTA Reference
	12	REFA.OP	OUTA reference passing through the opamp section
	13	REFB.CSP	OUTB Reference
	14	REFB.OP	OUTA reference passing through the opamp section

The output stage of the opamp connects to the headphone jack J1 through header J3. The signal mapping is shown below. By default, the jumpers are installed horizontally.

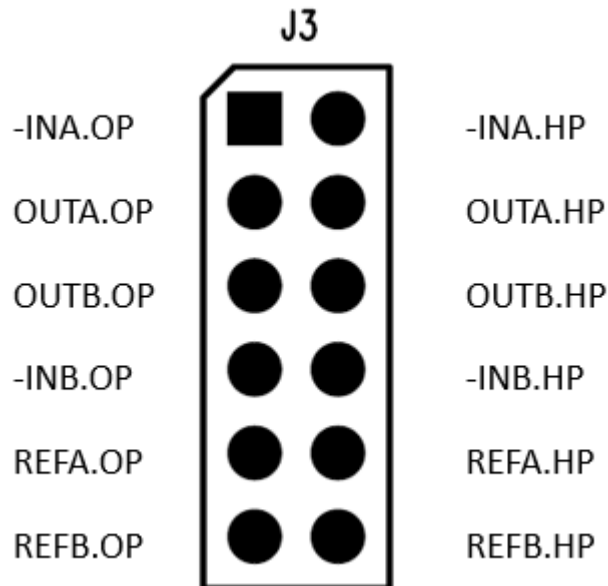


Figure 10 J3 Opamp Header

Table 5 J3 Header Pinout

Header	Pins	Designation	Description
J42	1	-INA.OP	Input to OP-AMP-A (Inverting)
	2	-INA.HP	Reference from HP Jack for Inverting OP-AMP-A Input
	3	OUTA.OP	Output of OP-AMP-A
	4	OUTA.HP	Output of OP-AMP-A to Channel A of Headphone Jack
	5	OUTB.OP	Output of OP-AMP-B
	6	OUTB.HP	Output of OP-AMP-B to Channel B of Headphone Jack
	7	-INB.OP	Input to OP-AMP-B (Inverting)
	8	-INB.HP	Reference from HP Jack for Inverting OP-AMP-B Input
	9	REFA.OP	OUTA Reference passing through the OP-AMP Section
	10	REFA.HP	GND Headphone Reference for CS43198
	11	REFB.OP	OUTB Reference passing through the OP-AMP Section
	12	REFB.HP	GND Headphone Reference for CS43198

2.5 I²C Control

Header J42 (labeled I²C/SPI) provides an interface to connect a Total Phase Aardvark I²C/SPI Host Adapter. The header signals are described in the following table. The logic level on these pins is 3.3 V. Through this header, a user can communicate with a smart codec, the TCA6424 I/O Expander, and the CS43198.

Table 6 I²C/SPI Header Pinout

Header	Pins	Designation	Description
J42	1	I2C_SCL	I ² C clock
	3	I2C_SDA	I ² C data
	5	SPI_MISO	SPI master in slave out
	7	SPI_SCLK	SPI clock
	9	SPI_SS	SPI chip select
	8	SPI_MOSI	SPI master out slave in
	2, 10	GND	Ground reference
	4, 6	NC	No connect

2.6 LEDs

The status LEDs on the CDB43198 board show the status of the power rails and S/PDIF input. A summary of the LEDs is shown in the table below.

Table 7 Status LEDs

LED Function	LED Reference	LED Color	Description
INT_QFN	D1	Orange	Interrupt from QFN
		OFF	No Interrupt
+3.6VP	D2	Green	Presence of +3.6 V rail
+4.2V	D3	Green	Presence of +4.2 V rail
-4.2V	D4	Green	Presence of -4.2 V rail
VP	D7	Orange	Interrupt from CSP
		OFF	No Interrupt
+5V	D20	Green	Presence of the +5 V rail
+3.3V	D21	Green	Presence of the +3.3 V rail
+1.8VD	D22	Green	Presence of the +1.8 VD rail
+1.8VA	D23	Green	Presence of the +1.8 VA rail
+1.0V	D24	Off	Presence of the +1.0 V rail

2.7 List of Headers and Jumper Settings

The following table lists all the available headers, jacks, and plugs on CDB43198 board.

Table 8 Header and Jumper Settings

Reference Designator	Connection	Type	I/O	Description
J1	CSP-AOUT	3.5-mm headphone jack	O	The headphone out jack for the CS43198 CSP device
J2	CSP-AOUT-REF	2x1 header	—	This header is for tying HPREF(A/B) to GND
J3	CSP-OP AMP-OUT	6x2 header	—	This header is for connecting the output of the op-amp circuit to the Headphone output.
J4	CSP-AOUTB Loading	3x1 header	—	Selectable loading resistance of 600/10k Ω for CSP-AOUTB
J5	CSP-AOUTA Test Point	2x1 header	O	2-pin test point for Audio Precision
J6	CSP-AOUTB Test Point	2x1 header	O	2-pin test point for Audio Precision
J7	QFN-GND-REF-SEL	2x2 header	—	Jumper between 1-3 and 2-4 to make outputs differential. Jumper between 1-2 and 3-4 to make outputs single ended
J8	QFN-AOUTA Test Point	2x1 header	O	2-pin test point for Audio Precision
J9	QFN-AOUTB Test Point	2x1 header	O	2-pin test point for Audio Precision
J10	Optical S/PDIF IN	Optical connector	I	Optical connector for S/PDIF Signals
J11	Coaxial S/PDIF IN	RCA connector	I	Coaxial connector for S/PDIF Signals
J12	VCP Source Select	3x1 header	—	Jumper between 1-2 to get VCP from 1.8 V banana jack (J27). Jumper between 2-3 to get VCP from 1.8 VA LDO
J13	VP Banana Jack	Banana jack	I	External source for 3.6 VP
J14	+V.OP Banana Jack	Banana jack	I	External source for +4.2V rail for external OP AMP
J15	CSP-AOUTA Loading	3x1 header	—	Selectable loading resistance of 600/10k Ω for CSP-AOUTA
J16	-V.OP Banana Jack	Banana jack	I	External source for -4.2V rail for external OP AMP
J17	QFN-AOUTA Loading	3x1 header	—	Selectable loading resistance of 600/10k Ω for QFN-AOUTA
J18	+V.OP Source Select	3x1 header	—	Jumper between 1-2 to get +V.OP from +4.2 V banana jack (J14). Jumper between 2-3 to get +V.OP from +4.2V regulator
J19	-V.OP Source Select	3x1 header	—	Jumper between 1-2 to get +V.OP from +4.2 V banana jack (J16). Jumper between 2-3 to get -V.OP from -4.2V regulator
J20	GND Banana Jack	Banana jack	I	GND
J21	CSP-OP AMP-IN	7x2 header	—	This header is for connecting the output of the CS43198 CSP to the OP AMP Input
J22	VCP_FILT+ Banana Jack	Banana jack	I	External source for VCP_FILT+
J23	VCP_FILT- Banana Jack	Banana jack	I	External source for VCP_FILT-
J24	ASP DUT Connection	3x3 header	—	Connect shunt between (DUT-BRD) to connect DUT and ASP data. Disconnect shunt and use 2-pin test point for Audio Precision between (DUT-GND) to measure ASP data directly
J25	ASP DATA	2x4 header	I/O	Header for MCLK1/LRCLK1/SCLK1/RX Data1
J26	XSP DATA	2x4 header	I/O	Header for MCLK2/LRCLK2/SCLK2/RX Data2
J27	1.8V Banana Jack	Banana jack	I	External Source for +1.8 V
J28	ASP/XSP VL	3x1 header	—	Shunt between pins 1-2 for ASP/XSP to be translated to 3.3 V. Shunt between pins 2-3 for ASP/XSP to be translated to 1.8 V
J29 (Rev B Only)	USB Data Select	3x1 header	—	If ENABLE is selected, the CDB will use the USB connection for data and power. If DISABLE is selected, the CDB will use the USB connection for power only.

Reference Designator	Connection	Type	I/O	Description
J31	QFN-AOUTB Loading	3x1 header	—	Selectable loading resistance of 600\10k Ω for QFN-AOUTB
J40	VP Source Select	3x1 header	—	Jumper between 1-2 to get VP from VP banana jack (J13). Jumper between 2-3 to get VP from 3.6-V LDO
J41	VA Source Select	3x1 header	—	Jumper between 1-2 to get VA from 1.8 V banana jack (J27). Jumper between 2-3 to get VA from 1.8 VA LDO
J42	Aardvark I ² C Interface	5x2 header (shrouded)	I/O	Interface connector for Aardvark I ² C test module
J43	USB Connector	Mini-USB receptacle	I/O	Provides USB Data and +5 V power to the CDB
J44	XSP DUT Connection	3x3 header	—	Connect shunt between (DUT-BRD) to connect DUT and XSP data. Disconnect shunt and use 2-pin test point for Audio Precision between (DUT-GND) to measure XSP data directly
J45	XMOS Connector	10x2 right-angle connector	I/O	Connects to XMOS programmer
J46-J50	GND test point	GND test point	O	GND test point
J51	External 5 V Supply	2.5 mm PIN receptacle	I	Provides external +5 V if USB VBUS is not used
J52	V5 Source Select	3x1 header	—	Jumper between 1-2 to get 5 V from external supply (J52). Jumper between 2-3 to get 4 V from USB VBUS (J43)
J53	I ² C DUT Connection	3x2 header	—	Connect shunt between (DUT-BRD) to connect DUT and I2C data. Disconnect shunt and use 2-pin test point for Audio Precision between (DUT-GND) to measure I2C data directly
J54	/RST /INT CSP Connection	3x2 header	—	Connect shunt between (DUT-BRD) to connect /RST and /INT data. Disconnect shunt and use 2-pin test point for Audio Precision between (DUT-GND) to measure /RST and /INT data directly
J55	/RST /INT QFN Connection	3x2 header	—	Connect shunt between (DUT-BRD) to connect /RST and /INT data. Disconnect shunt and use 2-pin test point for Audio Precision between (DUT-GND) to measure /RST and /INT data directly
J56	VD/VL Source Select	3x1 header	—	Jumper between 1-2 to get VD/VL from 1.8 V banana jack (J27). Jumper between 2-3 to get VD/VL from 1.8 VA LDO
J57	MCLK CSP Connection	3x2 header	—	Connect shunt between (DUT-BRD) to connect MCLK. Disconnect shunt and use 2-pin test point for Audio Precision between (DUT-GND) to measure MCLK directly
J58	MCLK QFN Connection	3x2 header	—	Connect shunt between (DUT-BRD) to connect MCLK. Disconnect shunt and use 2-pin test point for Audio Precision between (DUT-GND) to measure MCLK directly
J60	QFN-XLR OUT	XLR connector	O	The XLR out jack for the CS43198 QFN Device
J802	MCU Programmer	5x2 header (shrouded)	I/O	Programmer for MCU

2.7.1 Current Measurement Headers

The table below shows a list of current measurement headers and the associated rails. To measure current of a particular voltage rail, remove the jumper and place a current probe across the pins of the header.

Table 9 Current Measurement Headers

Header	Voltage Rail
VP-QFN	VP-QFN
VP-CSP	VP-CSP
VA	VA
VCP	VCP
VL	VL
VD	VD

2.7.2 Push-Button Resets (Revision B only)

There are 2 SPST push buttons for resetting the board in case something enters an unknown state. There are 2 buttons, S1 for a system-wide reset, and S2 for a DAC-only reset.

Table 10 Push-Button Resets

Button Name	Descriptor	Reset Tied To
S1	SYS_RESET	CS43198-CSP, CS43198-QFN, CS8422 Smart Codec, USB MCU, USB HUB, X MOS
S2	DAC_RESET	CS43198-CSP, CS43198-QFN

2.8 Codec MCLK Selection

The MCLK input to the smart codec can come either from the on-board 24.576 MHz clock oscillator, a 22.579 MHz clock oscillator, MCLK1 from ASP(J25), MCLK2 from XSP(J26) or from the CLKOUT pin on the DAC or the MCLK output from an external audio source. The selection is controlled by WISCE.

Address	Register	Read	Write	Value	Bit 7	Bit 6	Bit 5	Bit 4	Bit 3	Bit 2	Bit 1	Bit 0
R02h	Input Port 2	Read		FFh	INT_DUT1	INT_DUT2	GPO1_SPDIF	1	1	1	1	1
R04h	Output Port 0	Read	Write	FFh	XTL_OSC_24p576MHz_EN	XTL_OSC_22p579MHz_EN	XTL_CLKOUT_EN	XTL_CLKOUT_CSP/QFN	1	RESET_SPDIF	1	1
R05h	Output Port 1	Read	Write	FFh	XSP_DSD/SPDIF	ASP_PCM/SPDIF	XSP_M/S	ASP_M/S	MCLK2_HDR_M/S	MCLK1_HDR_M/S	XTL_MCLK2_BRD_EN	XTL_MCLK1_BRD_EN
R06h	Output Port 2	Read	Write	FFh	1	1	1	1	1	1	MCLK_QFN_OE	MCLK_CSP_OE
R0Ch	Configuration Port 0	Read	Write	FFh	XTL_OSC_24_576MHz_EN_DIR	...OSC_22_579MHz_EN_DIR	XTL_CLKOUT_EN_DIR	XTL_CLKOUT_CSP/QFN_DIR	1	RESET_SPDIF_DIR	RESET_DUT2	RESET_DUT1
R0Dh	Configuration Port 1	Read	Write	FFh	XSP_DSD/SPDIF_DIR	ASP_PCM/SPDIF_DIR	XSP_M/S_DIR	ASP_M/S_DIR	MCLK2_HDR_M/S_DIR	MCLK1_HDR_M/S_DIR	XTL_MCLK2_BRD_EN_DIR	XTL_MCLK1_BRD_EN_DIR
R0Eh	Configuration Port 2	Read	Write	FFh	INT_DUT1_DIR	INT_DUT2_DIR	GPO1_SPDIF_DIR	1	1	1	MCLK_QFN_OE_DIR	MCLK_CSP_OE_DIR

Figure 11 CODEC MCLK Selection

2.9 Clock Sources

The CDB43198 Board has 2 separate onboard 22.5792 MHz crystals to act as the MCLK source for the CS43198 CSP and QFN DUTs. In addition to the crystal, the board also provides an option to supply MCLK either from an external source, such as a function generator. These oscillators are Y1 (CSP) and Y2(QFN). By default, these crystals are enabled. In order to use an external clock source, you need to depopulate R11(CSP) and R28(QFN) and solder in a 0-Ω resistor in R10(CSP) and R39(QFN). To enable the external MCLK, you need to select it in the IO expander in WISCE.

Address	Register	Read	Write	Value	Bit 7	Bit 6	Bit 5	Bit 4	Bit 3	Bit 2	Bit 1	Bit 0
R02h	Input Port 2	Read		FFh	INT_DUT1	INT_DUT2	GPO1_SPDIF	1	1	1	1	1
R04h	Output Port 0	Read	Write	FFh	XTL_OSC_24p576MHz_EN	XTL_OSC_22p579MHz_EN	XTL_CLKOUT_EN	XTL_CLKOUT_CSP/QFN	1	RESET_SPDIF	1	1
R05h	Output Port 1	Read	Write	FFh	XSP_DSD/SPDIF	ASP_PCM/SPDIF	XSP_M/S	ASP_M/S	MCLK2_HDR_M/S	MCLK1_HDR_M/S	XTL_MCLK2_BRD_EN	XTL_MCLK1_BRD_EN
R06h	Output Port 2	Read	Write	FFh	1	1	1	1	1	1	MCLK_QFN_OE	MCLK_CSP_OE
R0Ch	Configuration Port 0	Read	Write	FFh	XTL_OSC_24_576MHz_EN_DIR	...OSC_22_579MHz_EN_DIR	XTL_CLKOUT_EN_DIR	XTL_CLKOUT_CSP/QFN_DIR	1	RESET_SPDIF_DIR	RESET_DUT2	RESET_DUT1
R0Dh	Configuration Port 1	Read	Write	FFh	XSP_DSD/SPDIF_DIR	ASP_PCM/SPDIF_DIR	XSP_M/S_DIR	ASP_M/S_DIR	MCLK2_HDR_M/S_DIR	MCLK1_HDR_M/S_DIR	XTL_MCLK2_BRD_EN_DIR	XTL_MCLK1_BRD_EN_DIR
R0Eh	Configuration Port 2	Read	Write	FFh	INT_DUT1_DIR	INT_DUT2_DIR	GPO1_SPDIF_DIR	1	1	1	MCLK_QFN_OE_DIR	MCLK_CSP_OE_DIR

Figure 12 EXT MCLK Selection

3 Board Control Register Quick Reference

Address	Register	Read	Write	Value	Bit 7	Bit 6	Bit 5	Bit 4	Bit 3	Bit 2	Bit 1	Bit 0
R02h	Input Port 2	Read		FFh	INT_DUT1 1	INT_DUT2 1	GPO1_SPDIF 1	1	1	1	1	1
R04h	Output Port 0	Read	Write	FCh	XTI_OSC_24p576MHZ_EN 1	XTI_OSC_22p5792MHZ_EN 1	XTI_CLKOUT_EN 1	XTI_CLKOUT_CSP/QFN 1	1	RESET_SPDIF 1	0	0
R05h	Output Port 1	Read	Write	FFh	XSP_DSD/SPDIF 1	ASP_PCM/SPDIF 1	XSP_M/S 1	ASP_M/S 1	MCLK2_HDR_M/S 1	MCLK1_HDR_M/S 1	XTI_MCLK2_BRD_EN 1	XTI_MCLK1_BRD_EN 1
R06h	Output Port 2	Read	Write	FFh	1	1	1	1	1	1	MCLK_QFN_OE 1	MCLK_CSP_OE 1
ROCh	Configuration Port 0	Read	Write	0Bh	XTI_OSC_24_576MHZ_EN_DIR 0	XTI_OSC_22_5792MHZ_EN_DIR 0	XTI_CLKOUT_EN_DIR 0	XTI_CLKOUT_CSP/QFN_DIR 0	1	RESET_SPDIF_DIR 0	RESET_DUT2 1	RESET_DUT1 1
R0Dh	Configuration Port 1	Read	Write	00h	XSP_DSD/SPDIF_DIR 0	ASP_PCM/SPDIF_DIR 0	XSP_M/S_DIR 0	ASP_M/S_DIR 0	MCLK2_HDR_M/S_DIR 0	MCLK1_HDR_M/S_DIR 0	XTI_MCLK2_BRD_EN_DIR 0	XTI_MCLK1_BRD_EN_DIR 0
ROEh	Configuration Port 2	Read	Write	FCh	INT_DUT1_DIR 1	INT_DUT2_DIR 1	GPO1_SPDIF_DIR 1	1	1	1	MCLK_QFN_OE_DIR 0	MCLK_CSP_OE_DIR 0

Figure 13 CDB43198 IO EXP Registers

3.1 Register Descriptions

3.1.1 Output Port 0

Address: 0x04	Default: 0xFC	R/W
----------------------	----------------------	------------

Bit Position	7	6	5	4	3	2	1	0
Bitfield Name	XTI_OSC_24p576MHZ_EN	XTI_OSC_22p5792MHZ_EN	XTI_CLKOUT_T_EN	XTI_CLKOUT_C SP/QFN	RESER VED	RESET_S PDIF	RESER VED	RESER VED
Default Value	1	1	1	1	X	1	X	X

Bits	Name	Description
7	XTI_OSC_24p576MHZ_EN	Enable 24.576 MHz CLK to be used as input to CODEC 0 Enabled 1 Disabled (Default)
6	XTI_OSC_22p5792MHZ_EN	Enable 22.5792 MHz CLK to be used as input to CODEC 0 Enabled 1 Disabled (Default)
5	XTI_CLKOUT_EN	Select SPDIF Clock Master 0 External CLK 1 CS43198 CLKOUT (Default)
4	XTI_CLKOUT_CSP/QFN	Select Device to be SPDIF Clock Master 0 CSP CLKOUT 1 QFN CLKOUT (Default)
3	Reserved	—
2	Reset_SPDIF	Enable SPDIF Buffer 0 Disabled 1 Enabled (Default)
1:0	Reserved	—

3.1.2 Output Port 2

Address: 0x05	Default: 0x0F	R/W
----------------------	----------------------	------------

Bit Position	7	6	5	4	3	2	1	0
Bitfield Name	XSP_DSD/S PDIF	ASP_PCM/S PDIF	XSP_M/S	ASP_M/S	MCLK2_HD R_M/S	MCLK1_HD R_M/S	XTI_MCLK2_BRD_EN	XTI_MCLK1_BRD_EN
Default Value	1	1	1	1	0	0	0	0

Bits	Name	Description
7	XSP_DSD/SPDIF	Set Codec in DSD/SPDIF Mode 0 DSD 1 SPDIF (Default)
6	ASP_PCM/SPDIF	Set Codec in PCM/SPDIF Mode 0 PCM 1 SPDIF (Default)
5	XSP_M/S	Set XSP as Master/Slave 1 Master (Default) 0 Slave
4	ASP_M/S	Set ASP as Master/Slave 1 Master (Default) 0 Slave
3	MCLK2_HDR_M/S	Set Codec as Master to MCLK2 1 Master (Default) 0 Slave
2	MCLK1_HDR_M/S	Set Codec as Master to MCLK1 1 Master (Default) 0 Slave
1	XTI_MCLK2_BRD_EN	Enable ASP MCLK to be used as input to CODEC 0 Enabled 1 Disabled (Default)
0	XTI_MCLK1_BRD_EN	Enable XSP MCLK to be used as input to CODEC 0 Enabled 1 Disabled (Default)

3.1.3 Output Port 3

Address: 0x06	Default: 0xFF	R/W
----------------------	----------------------	------------

Bit Position	7	6	5	4	3	2	1	0
Bitfield Name	Reserved						MCLK_QFN_OE	MCLK_CSP_OE
Default Value	x	x	x	x	x	x	1	1

Bits	Name	Description
7:2	Reserved	—
1	MCLK_QFN_OE	Set Codec as Master to CSP 1 Master (Default) 0 Slave
0	MCLK_CSP_OE	Set Codec as Master to QFN 1 Master (Default) 0 Slave

3.1.4 Port Config 1

Address: 0x0C	Default: 0x0B	R/W
----------------------	----------------------	------------

Bit Position	7	6	5	4	3	2	1	0
Bitfield Name	XTI_OSC_24_576MHZ_EN_DIR	XTI_OSC_22_5792HZ_EN_DIR	XTI_CLKOUT_EN_DIR	XTI_CLKOUT_CSP/QFN_DIR	Reserved	RESET_SPDIF_DIR	RESET_DUT2	RESET_DUT1
Default Value	0	0	0	0	x	0	1	1

Bits	Name	Description
7	XTI_OSC_24_576MHZ_EN_DIR	Direction of the XTI_OSC_24_576MHz_EN signal 0 Output (Default) 1 Input
6	XTI_OSC_22_5792HZ_EN_DIR	Direction of the XTI_OSC_22_5792MHz_EN signal 0 Output (Default) 1 Input
5	XTI_CLKOUT_EN_DIR	Direction of the XTI_CLKOUT_EN signal 0 Output (Default) 1 Input
4	XTI_CLKOUT_CSP/QFN_DIR	Direction of the XTI_CLKOUT_CSP/QFN signal 0 Output (Default) 1 Input
3	Reserved	—
2	RESET_SPDIF_DIR	Direction of the RESET_SPDIF signal 0 Output (Default) 1 Input
1	RESET_DUT2	Reset DUT2 0 Disabled 1 Enabled (Default)
0	RESET_DUT1	Reset DUT1 0 Disabled 1 Enabled (Default)

3.1.5 Port Config 2

Address: 0x0D	Default: 0x00	R/W
----------------------	----------------------	------------

Bit Position	7	6	5	4	3	2	1	0
Bitfield Name	XSP_DSD/S PDIF_DIR	ASP_DSD/S PDIF_DIR	XSP_M/S_D IR	ASM_M/S_D IR	MCLK2_HD R_M/S_DIR	MCLK1_HD R_M/S_DIR	XTI_MCLK2_BRD_EN_DIR	XTI_MCLK1_BRD_EN_DIR
Default Value	0	0	0	0	0	0	0	0

Bits	Name	Description
7	XSP_DSD/SPDIF_DIR	Direction of the XSP_DSD/SPDIF signal 0 Output (Default) 1 Input
6	ASP_PCM/SPDIF_DIR	Direction of the ASP_PCM/SPDIF signal 0 Output (Default) 1 Input
5	XSP_M/S_DIR	Direction of the XSP_M/S signal 0 Output (Default) 1 Input
4	ASP_M/S_DIR	Direction of the ASP_M/S signal 0 Output (Default) 1 Input
3	MCLK2_HDR_M/S_DIR	Direction of the MCLK2_HDR_M/S signal 0 Output (Default) 1 Input
2	MCLK1_HDR_M/S_DIR	Direction of the MCLK1_HDR_M/S signal 0 Output (Default) 1 Input
1	XTI_MCLK2_BRD_EN_DIR	Direction of the XTI_MCLK2_BRD_EN signal 0 Output (Default) 1 Input
0	XTI_MCLK1_BRD_EN_DIR	Direction of the XTI_MCLK1_BRD_EN signal 0 Output (Default) 1 Input

3.1.6 Port Config 3

Address: 0x0E	Default: 0xFC	R/W
----------------------	----------------------	------------

Bit Position	7	6	5	4	3	2	1	0
Bitfield Name	Reserved						MCLK_QFN_OE_DIR	MCLK_CSP_OE_DIR
Default Value	1	1	1	x	x	x	0	0

Bits	Name	Description
7:2	Reserved	—
1	MCLK_QFN_OE_DIR	Direction of the MCLK_QFN_OE signal 0 Output (Default) 1 Input
0	MCLK_CSP_OE_DIR	Direction of the MCLK_CSP_OE signal 0 Output (Default) 1 Input

4 CDB-HDR-MEAS High Dynamic Range Measurement Preamp

The CDB-HDR-MEAS is an ultralow-noise preamplifier circuit with +13.66 dB of gain. The CDB-HDR-MEAS is designed to be used as a preamplifier to a high-performance audio analyzer to allow measurement of the high dynamic range (DNR) of the CS43198. The CDB-HDR-MEAS preserves the dynamic range of the input signal while amplifying the input signal by +13.66 dB to overcome noise floor limitations of the audio analyzer.

4.1 Powering the CDB-HDR-MEAS

The CDB-HDR-MEAS board requires a triple-output DC power supply capable of providing ±15 V and GND connection at 100 mA, as shown in the figure below. Standard binding posts are provided for convenient connection of +15 V, GND, and -15 V.

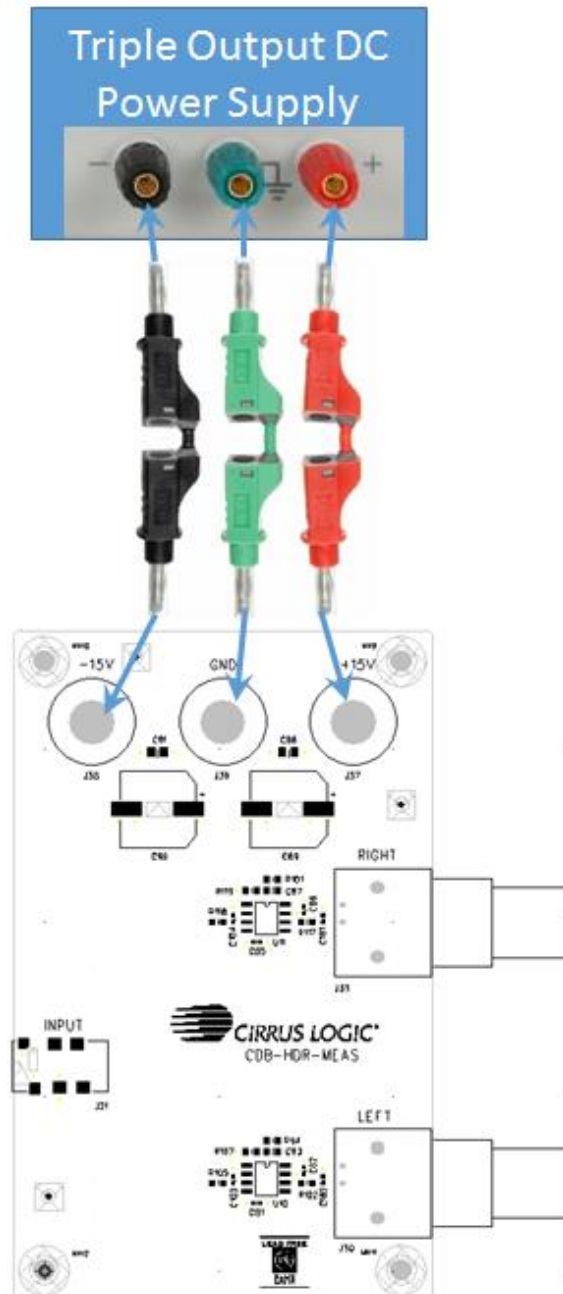


Figure 14 Powering CDB-HDR-MEAS

4.2 How the CDB-HDR-MEAS Works

Since the noise floor of the APx555 is around -124 dB, and the CS43198 has a DNR of 130 dB, the signal needs to be amplified to make it measurable. The following image illustrates this issue. In an ideal situation, the -60 dB signal during DNR tests would yield a total dynamic range of 130 dB. However, due to a higher noise floor of the measurement equipment, the difference results in a measurement error that hampers performance.

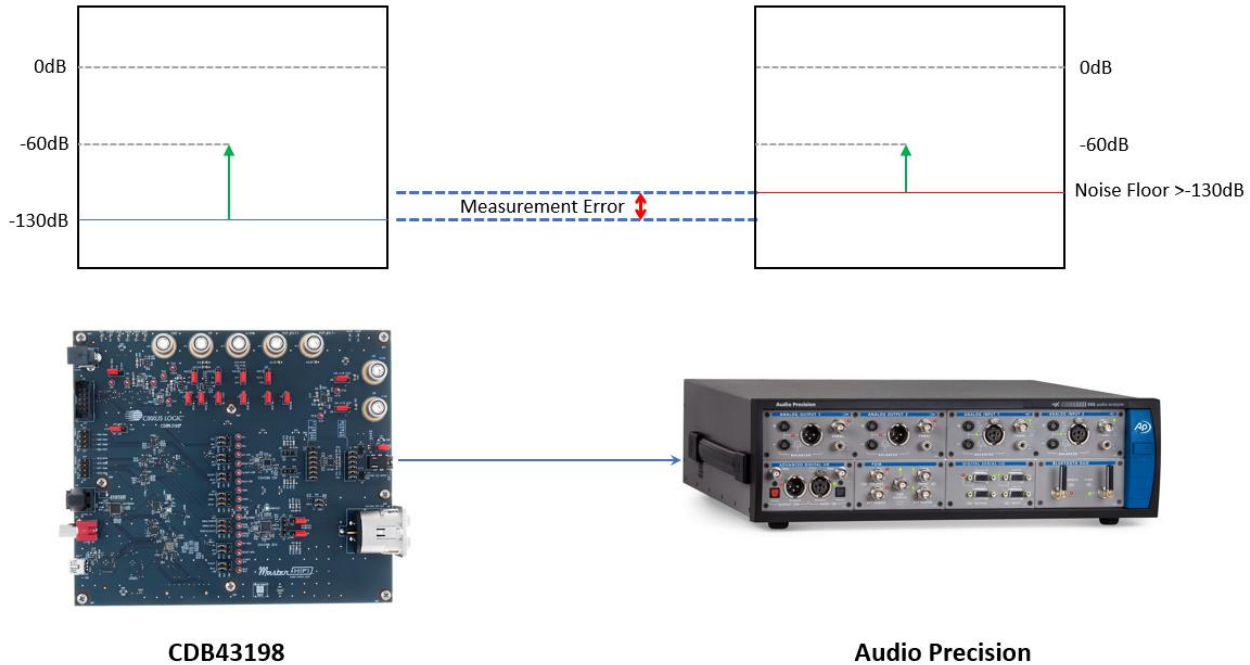


Figure 15 Testing Without CDB-HDR-MEAS

To rectify this issue, the input signal can be amplified (in this case by 13.3 dB). This will also amplify the noise floor; however, since the noise floor is small compared to the signal, the signal will dominate the amplification. In the figure below, the signal and noise floor have been shifted up to be at least on par with the noise floor of the measurement equipment. Now when using the -60 dB signal for the DNR measurement, the full range of 130 dB can be measured.

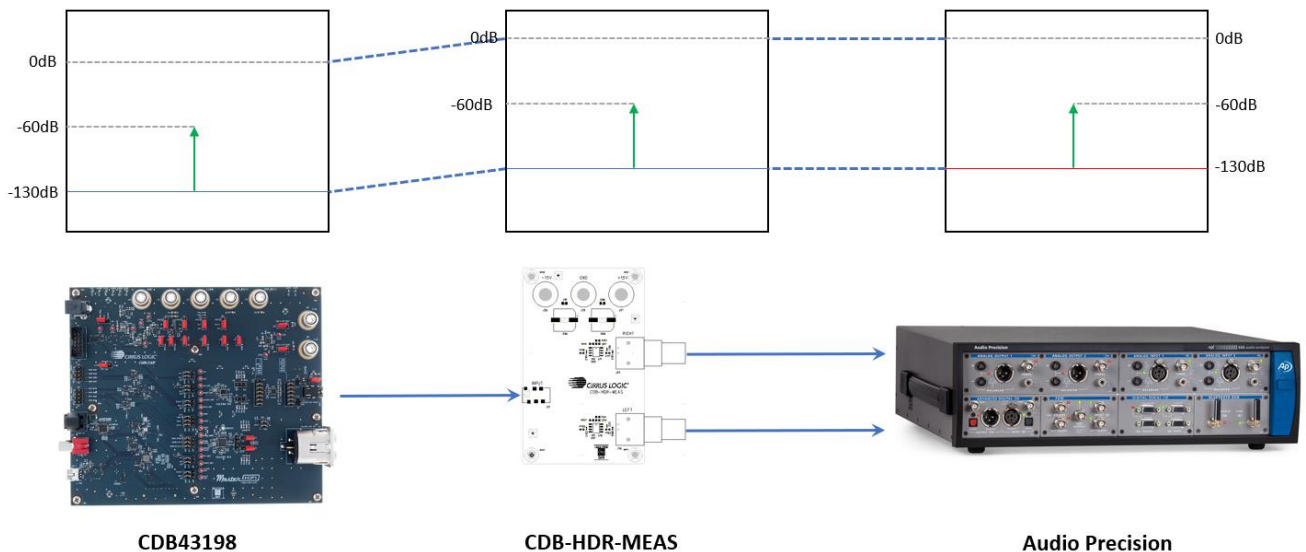


Figure 16 Testing With CDB-HDR-MEAS

5 Testing the CS43198 using WISCE

The WISCE™ interactive setup and configuration environment is an interactive tool for setting up and configuring Cirrus Logic devices and software. The following sections show how to use WISCE to configure and test CS43198 and using the CDB43198 board and the CDB43198 Board.

5.1 Launching WISCE

Click on the Start Button -> All Programs -> Wolfson Evaluation Software and select "WISCE™ V3" to launch WISCE.

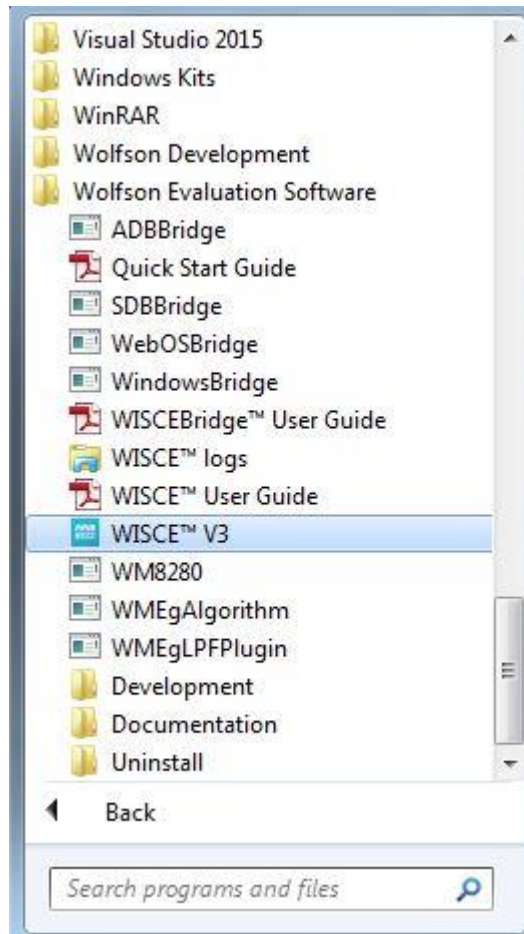


Figure 17 Launch WISCE

WISCE is configured, by default, to scan the I²C bus and report the presence of any devices attached to this bus. When WISCE is launched, it will report the presence of four unknown devices, one each at address 0x22, 0x44, 0x60 and 0x62 respectively. The device at address 0x22 is the CS8422 Codec, 0x44 is TCA6424, which is an IO Expander. The device at address 0x60 is CS43198 CSP DUT, and the device at address 0x62 is the CS43198 QFN DUT.

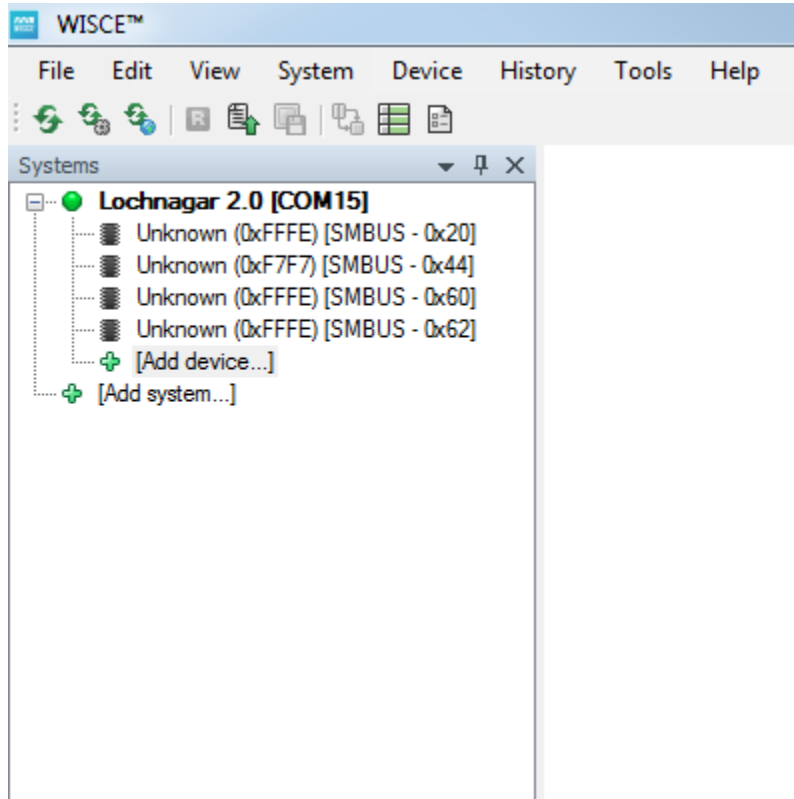


Figure 18 Found Devices

5.2 Loading the CDB43198 board Panel and Register Map

To load the CDB43198 board panel and register map, double click on the Unknown device at address 0x44 to launch "Change Device" pop-up window. Alternatively, the "Change Device" pop-up window can also be launched by right clicking on the Unknown Device and selecting Properties.

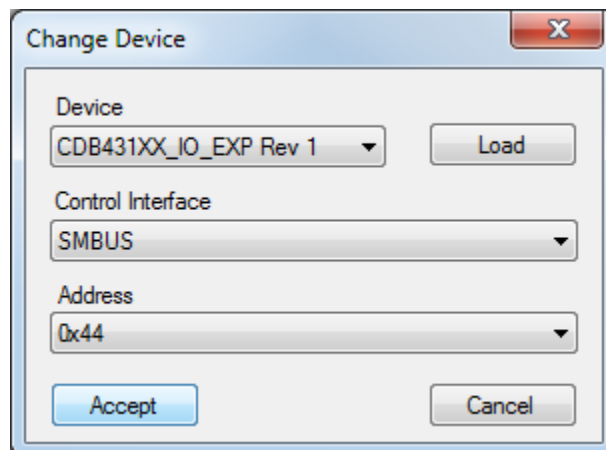


Figure 19 Select TCA6424

Select "CDB431XX_IO_EXP Rev1" from the drop down menu under Device.

Click "Accept" to load the CDB43198 board Panel and Register Map shown in the following figures.

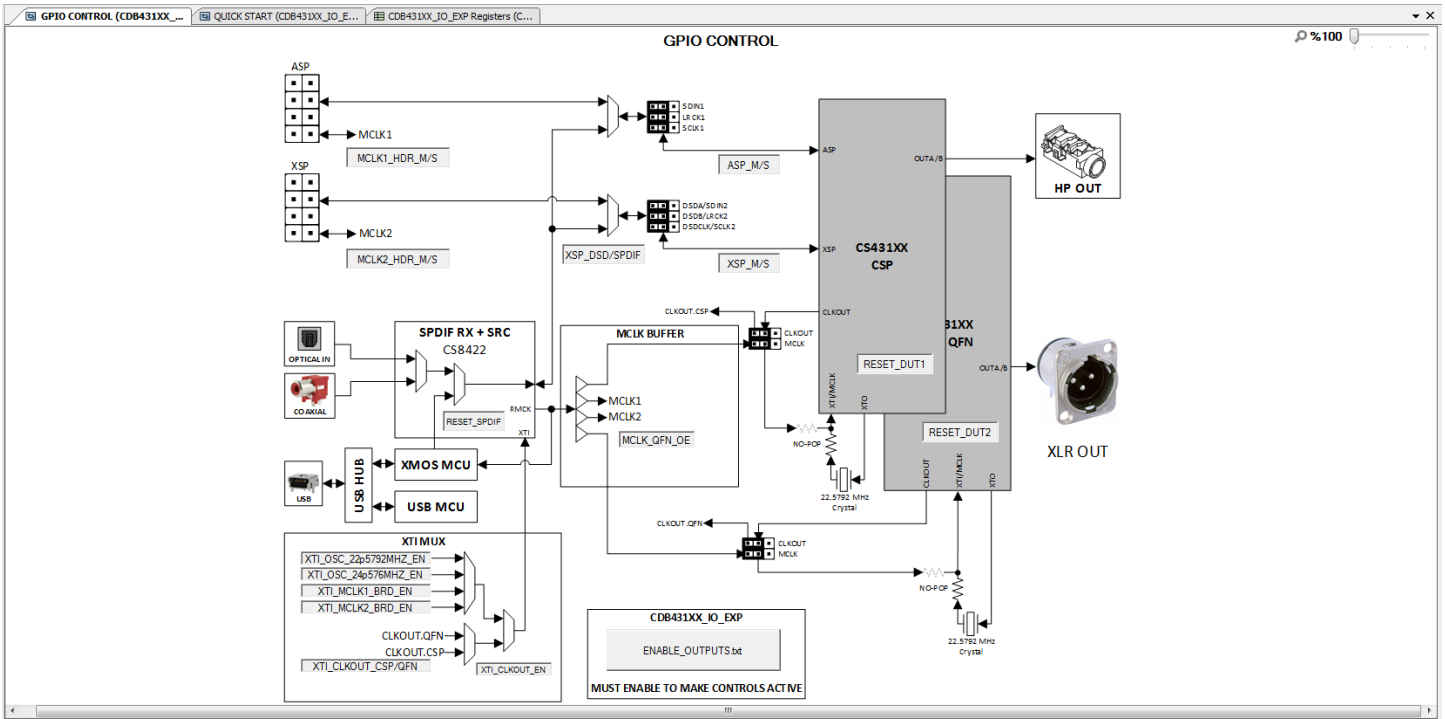


Figure 20 TCA6424 Panel

Address	Register	Read	Write	Value	Bit 7	Bit 6	Bit 5	Bit 4	Bit 3	Bit 2	Bit 1	Bit 0
R02h	Input Port 2	Read		FFh	INT_DUT1 1	INT_DUT2 1	GPO1_SPDIF 1	1	1	1	1	1
R04h	Output Port 0	Read	Write	FFh	XTL_OSC_24p576MHZ_EN 1	XTL_OSC_22p5792MHZ_EN 1	XTL_CLKOUT_EN 1	XTL_CLKOUT_CSP/QFN 1	1	RESET_SPDIF 1	1	1
R05h	Output Port 1	Read	Write	FFh	XSP_DSD/SPDIF 1	ASP_PCM/SPDIF 1	XSP_M/S 1	ASP_M/S 1	MCLK2_HDR_M/S 1	MCLK1_HDR_M/S 1	XTL_MCLK2_BRD_EN 1	XTL_MCLK1_BRD_EN 1
R06h	Output Port 2	Read	Write	FFh	1	1	1	1	1	1	MCLK_QFN_OE 1	MCLK_CSP_OE 1
R0Ch	Configuration Port 0	Read	Write	FFh	XTL_OSC_24_576MHZ_EN_DIR 1	...OSC_22_5792MHZ_EN_DIR 1	XTL_CLKOUT_EN_DIR 1	XTL_CLKOUT_CSP/QFN_DIR 1	1	RESET_SPDIF_DIR 1	RESET_DUT2 1	RESET_DUT1 1
R0Dh	Configuration Port 1	Read	Write	FFh	XSP_DSD/SPDIF_DIR 1	ASP_PCM/SPDIF_DIR 1	XSP_M/S_DIR 1	ASP_M/S_DIR 1	MCLK2_HDR_M/S_DIR 1	MCLK1_HDR_M/S_DIR 1	XTL_MCLK2_BRD_EN_DIR 1	XTL_MCLK1_BRD_EN_DIR 1
R0Eh	Configuration Port 2	Read	Write	FFh	INT_DUT1_DIR 1	INT_DUT2_DIR 1	GPO1_SPDIF_DIR 1	1	1	1	MCLK_QFN_OE_DIR 1	MCLK_CSP_OE_DIR 1

Figure 21 TCA6424 Register Map

5.3 Loading the CS43198 Plugins and Register Map

To load the CS43198 Plugin and Register Map, launch the "Change Device" pop-up window by either double clicking on Unknown Device or right clicking on Unknown Device at address 0x60 and selecting Properties. Select "CS43198 Rev A1" from the Device drop down menu and click Accept to load the plugin and register map for the CS43198.

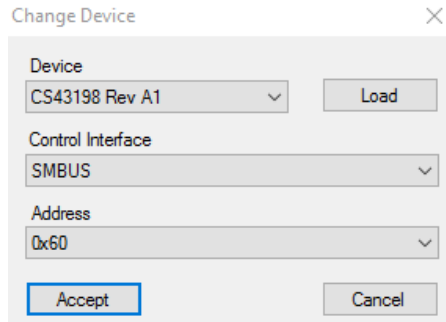


Figure 22 Select CS43198 CSP

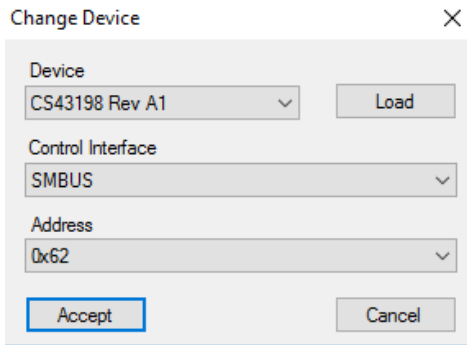


Figure 23 Select CS43198 QFN

Address	Register	Read	Write	Value	Bit 7	Bit 6	Bit 5	Bit 4	Bit 3	Bit 2	Bit 1	Bit 0
R1000h	Device ID A and B	Read		43h	DEVID=0100_0011							
R1001h	Device ID C and D	Read		19h	DEVID=0001_1001							
R1002h	Device ID E	Read		80h	DEVID=1000							
R1004h	Revision ID	Read		A1h	AREVID=1010							
R1005h	Sub-Revision ID	Read		00h	SUBREVID=0000_0000							
R1006h	System Clocking Control	Read	Write	06h	0	0	0	0	0	MCLK_INT 22.5750MHz	MCLK_SRC_SEL=RCO	
R1008h	Serial Port Sample Rate	Read	Write	01h	0	0	0	0	0	ASP_SPRATE=44.1kHz		
R100Ch	Serial Port Sample Bit Size	Read	Write	05h	0	0	0	0	0	XSP_SPSIZE=24 bits	ASP_SPSIZE=24 bits	
R100Dh	Pad interface Configuration	Read	Write	03h	0	0	0	0	0	XSP_3ST Hi-Z	ASP_3ST Hi-Z	
R2000h	Power Down Control	Read	Write	FEh	PDN_XSP	PDN_ASP	PDN_DSDF	PDN_HP	PDN_XTAL	PDN_PLL	XTAL_BIAS=12.5uA	
R2002h	Crystal Setting	Read	Write	04h	0	0	0	0	0			
R3001h	PLL Setting 1	Read	Write	00h	0	0	0	0	0	0	0	PLL_START 0
R3002h	PLL Setting 2	Read	Write	00h	PLL_DIV_FRAC_0=0000_0000							
R3003h	PLL Setting 3	Read	Write	00h	PLL_DIV_FRAC_1=0000_0000							
R3004h	PLL Setting 4	Read	Write	00h	PLL_DIV_FRAC_2=0000_0000							
R3005h	PLL Setting 5	Read	Write	40h	PLL_DIV_INT=0100_0000							
R3008h	PLL Setting 6	Read	Write	10h	PLL_OUT_DIV=0001_0000							
R300Ah	PLL Setting 7	Read	Write	80h	PLL_CAL_RATIO=1000_0000							
R300Bh	PLL Setting 8	Read	Write	13h	0	0	0	1	0	0	0	PLL_MODE 1
R4002h	PLL Setting 9	Read	Write	02h	0	0	0	0	0	0	0	PLL_REF_PREDIV=Divide by 4
R4004h	CLKOUT Control	Read	Write	00h	0	0	0	CLKOUT_DIV=Divide by 2				CLKOUT_SEL=Internal MCLK
R4010h	ASP Numerator 1	Read	Write	01h	ASP_N_LSB=0000_0001							
R4011h	ASP Numerator 2	Read	Write	00h	ASP_N_MSB=0000_0000							
R4012h	ASP Denominator 1	Read	Write	08h	ASP_M_LSB=0000_1000							
R4013h	ASP Denominator 2	Read	Write	00h	ASP_M_MSB=0000_0000							
R4014h	ASP LRCK High Time 1	Read	Write	1Fh	ASP_LCH1_LSB=0001_1111							
R4015h	ASP LRCK High Time 2	Read	Write	00h	ASP_LCH1_MSB=0000_0000							
R4016h	ASP LRCK Period 1	Read	Write	3Fh	ASP_LCPR_LSB=0011_1111							
R4017h	ASP LRCK period 2	Read	Write	00h	ASP_LCPR_MSB=0000_0000							
R4018h	ASP Clock Configuration	Read	Write	0Ch	0	0	0	ASP_MSFB Slave	ASP_SCPOL_OUT Inverted	ASP_SCPOL_IN Inverted	ASP_LCPOL_OUT Normal	ASP_LCPOL_IN Normal
R4019h	ASP Frame Configuration	Read	Write	0Ah	0	0	0	ASP_STP	ASP_S0SD		ASP_FSD=1.0 delay	

Figure 24 CS43198 Register Map

To view CS43198 plugin, click on Tuning and select "CS43198_Plugin."

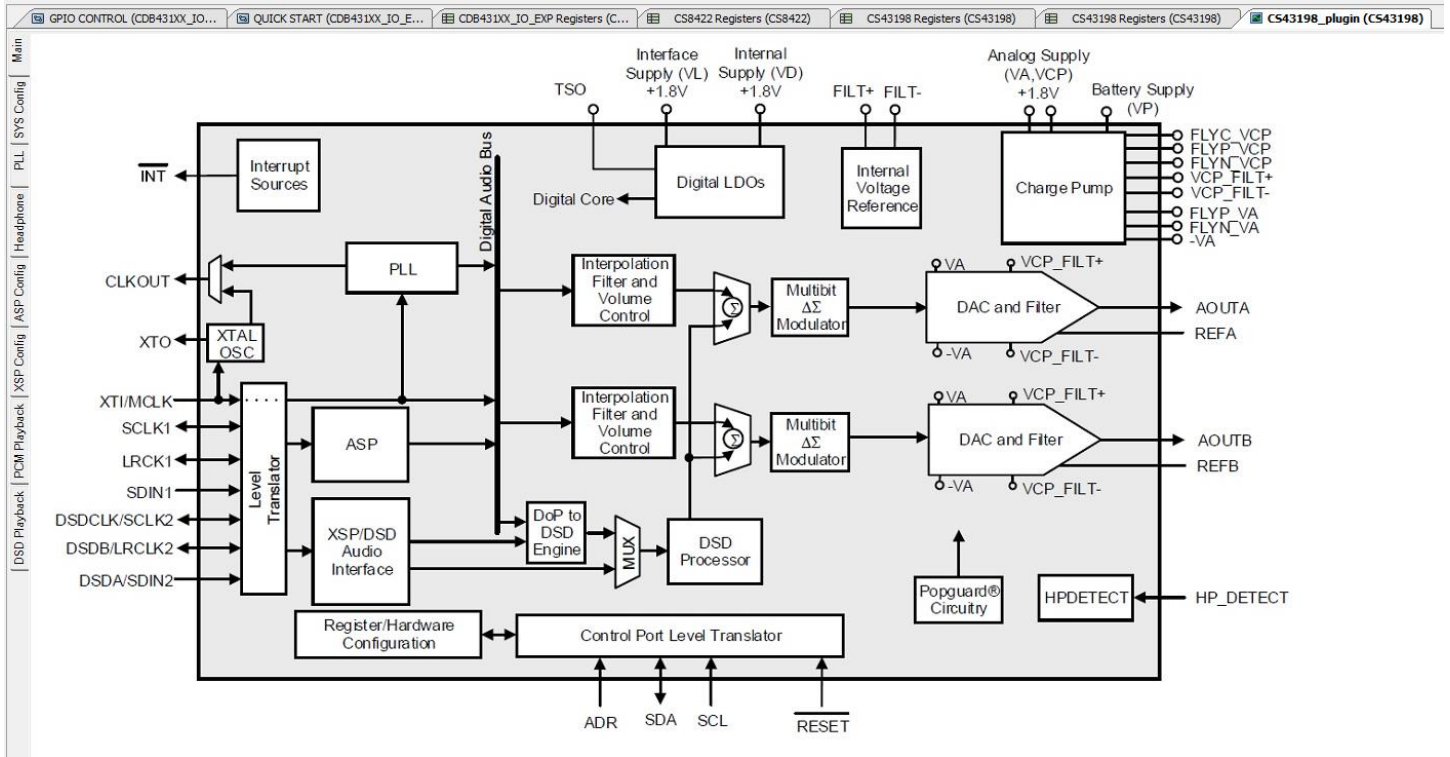


Figure 25 CS43198 Plugin

5.4 Initializing the Devices on the CDB43198 Board

The following steps show how to detect the presence of the CS43198s on the CDB43198 Board.

1. Under the CDB431XX_I2C_GPIP_EXP menu, click on QUICK_START, and click CDB_INIT.txt. This will reset the board into a default mode.

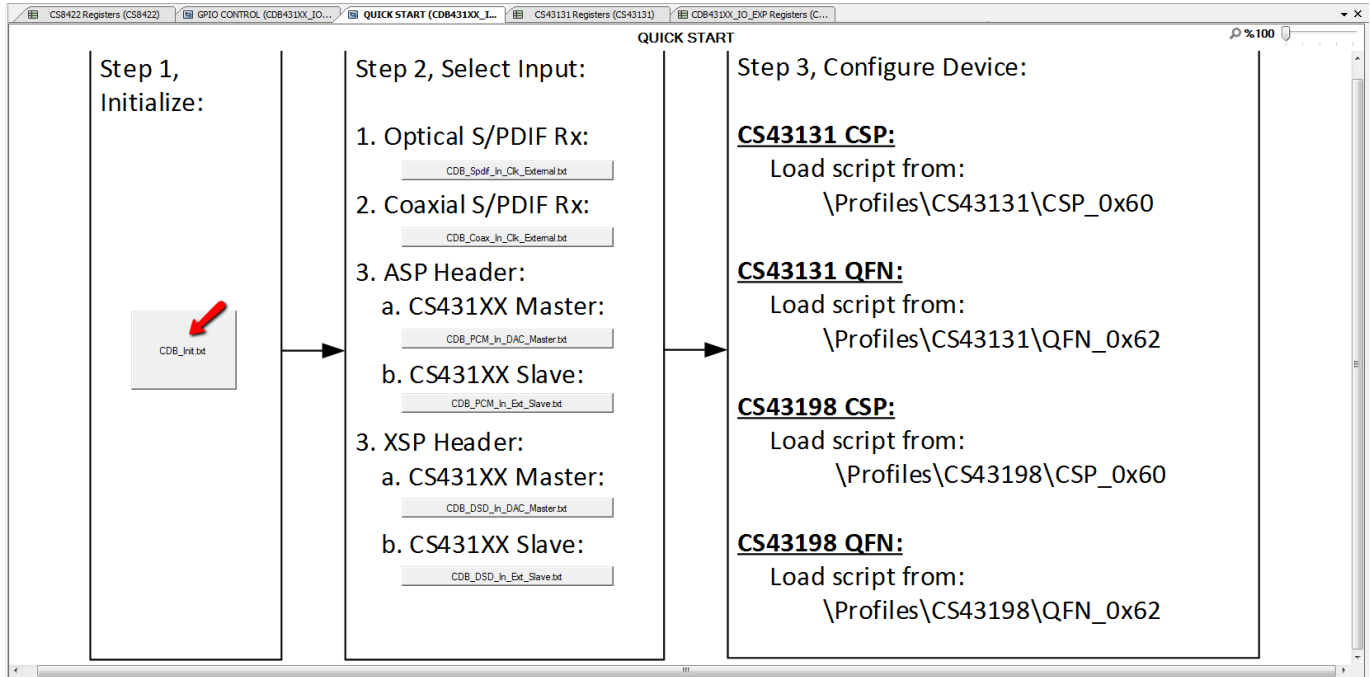


Figure 26 Initialize DACs

5.5 CS43198 Plugin

The CS43198 plugin has multiple tabs. Each tab provides an interface to configure and control specific IP Block(s) in the CS43198. The following sections describe each tab and its function. The user can configure the CS43198 using these tabs. However, it is recommended that the user initially use the profile scripts that are provided with the plugin to configure and control the CS43198 since each field will be preconfigured correctly for the proper mode.

5.5.1 Main Tab

This tab shows the block diagram of the internal architecture of the CS43198.

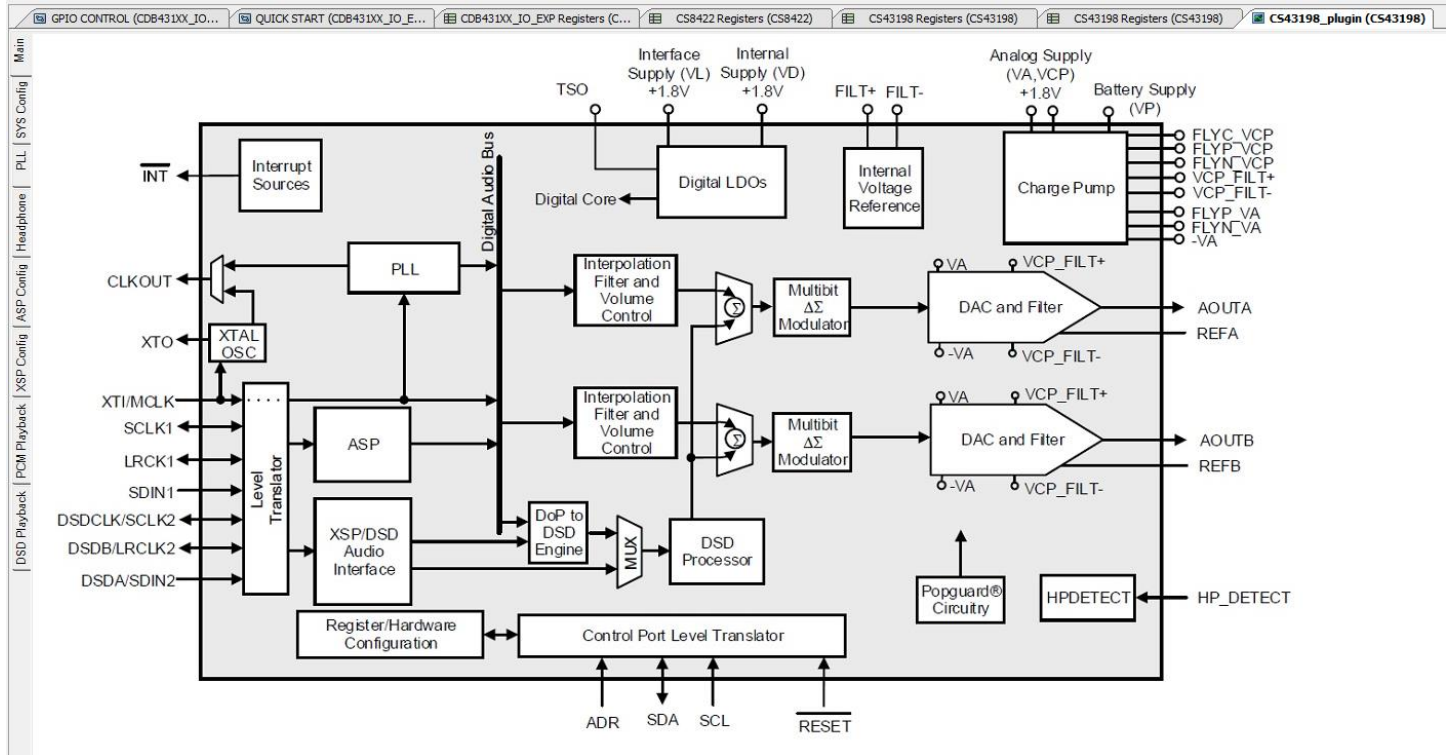
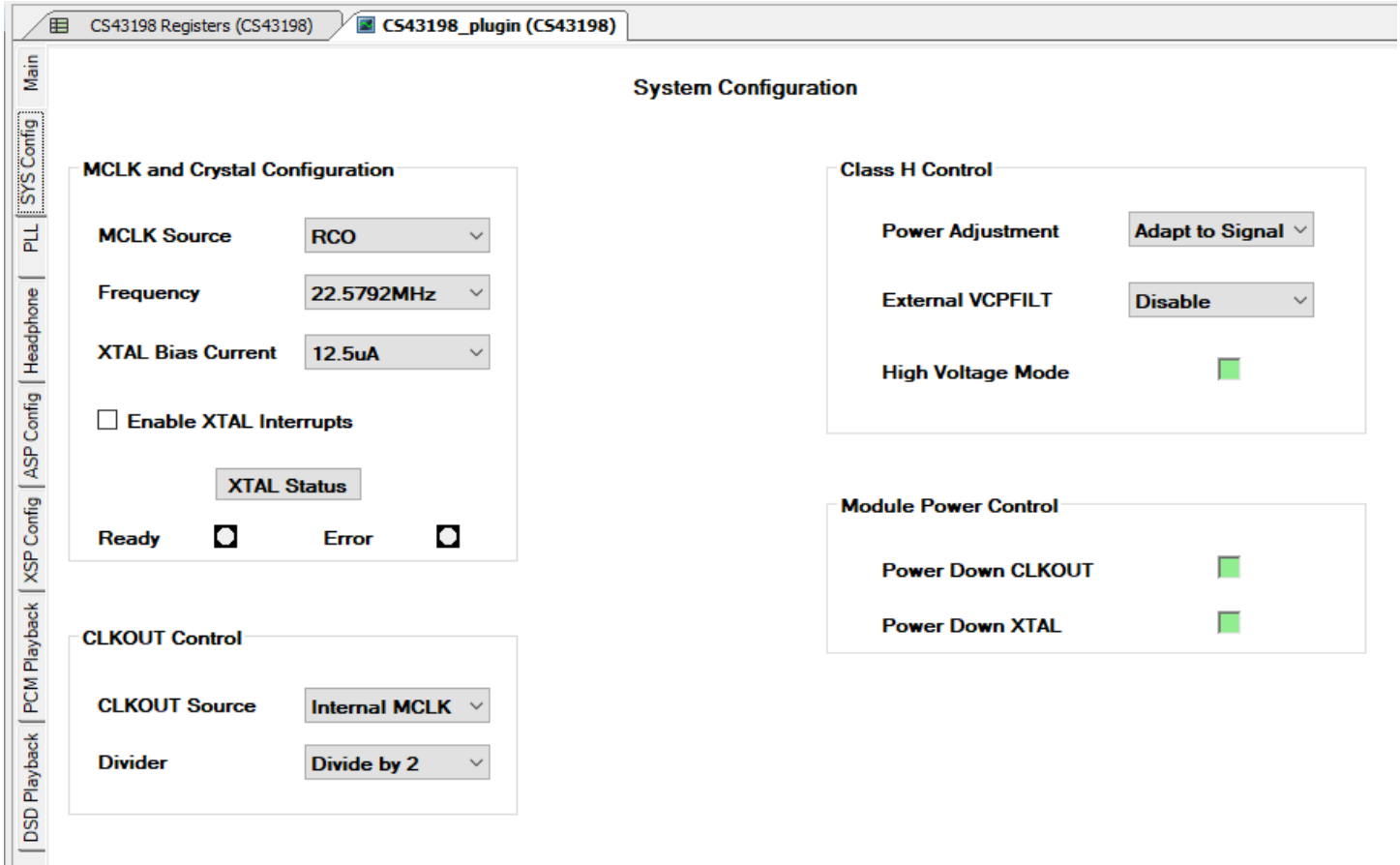


Figure 27 Main Tab

5.5.2 Sys_Config Tab

This tab allows user to configure the CS43198 clock input settings. It also allows the user to configure CLKOUT and Class-H amplifier settings.



The screenshot displays the 'System Configuration' window for the CS43198 plugin. The interface includes a sidebar with navigation options: Main, SYS Config (selected), PLL, Headphone, ASP Config, XSP Config, PCM Playback, and DSD Playback. The main configuration area is divided into several sections:

- MCLK and Crystal Configuration:**
 - MCLK Source: RCO
 - Frequency: 22.5792MHz
 - XTAL Bias Current: 12.5uA
 - Enable XTAL Interrupts
 - XTAL Status: Ready Error
- CLKOUT Control:**
 - CLKOUT Source: Internal MCLK
 - Divider: Divide by 2
- Class H Control:**
 - Power Adjustment: Adapt to Signal
 - External VCPFILT: Disable
 - High Voltage Mode:
- Module Power Control:**
 - Power Down CLKOUT:
 - Power Down XTAL:

Figure 28 Sys_Config Tab

The example below shows the sequence of steps that should be followed to select On-board Crystal as MCLK source using Sys_Config tab.

1. XTAL bias is set by default to 12.5 μ A.
2. Click on the Enable XTAL Interrupts check box to enable crystal interrupts.
3. Power up the Crystal Interface by clicking on the Power Down XTAL LED (LED color will change to Red).
4. Click on XTAL Status button. If "Ready" LED is lit, the crystal Interface has been configured successfully, and the CS43198 is ready to use XTAL as MCLK source. Go to step 6.
5. If "Error" LED is lit, then the crystal interface is not configured. Power down the board. Check the crystal and the crystal circuit on the board.
6. Select "XTAL" from MCLK Source drop down menu to select XTAL as MCLK Source.

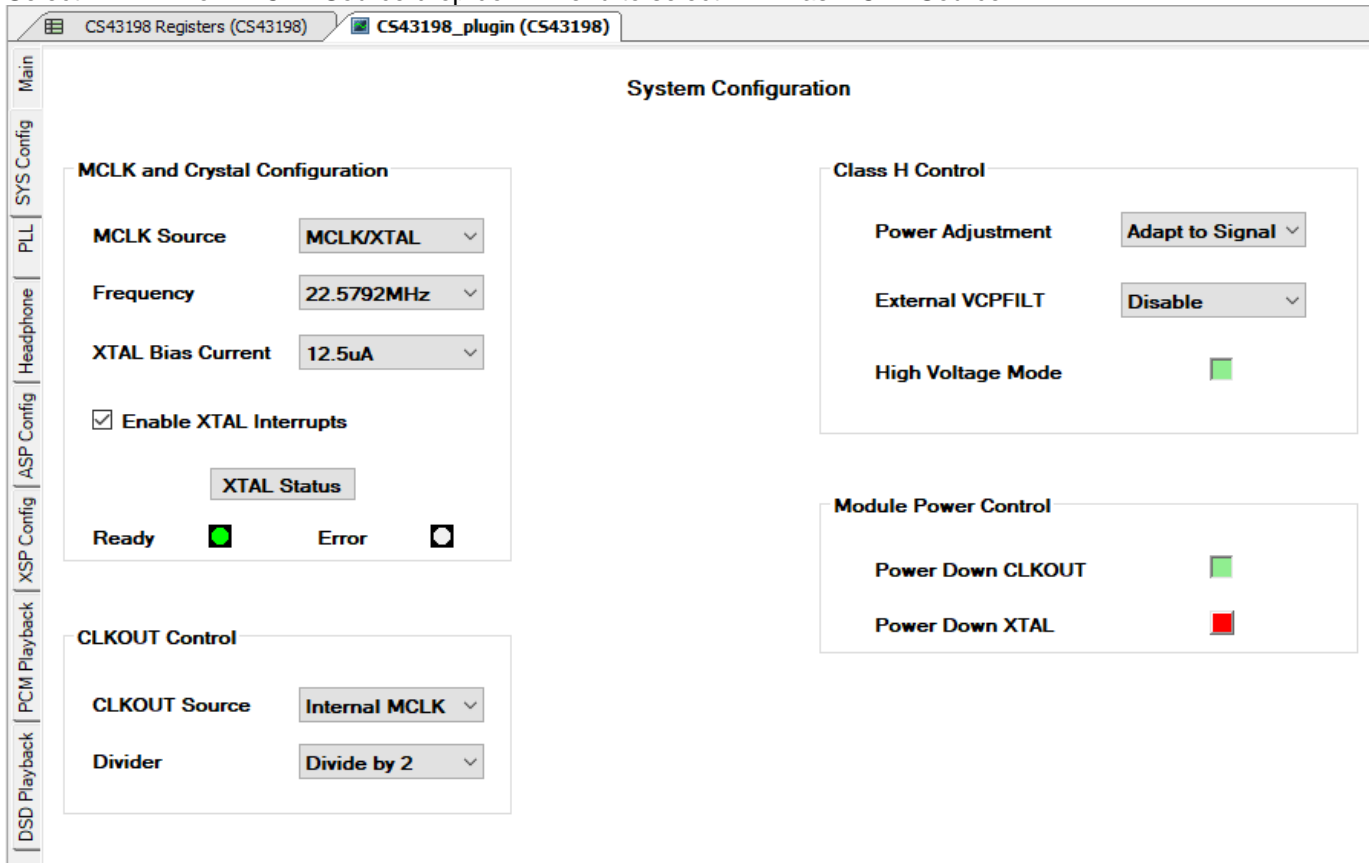


Figure 29 Sys_Config Tab with XTAL as MCLK Source

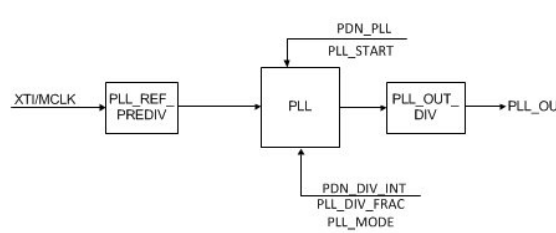
5.5.3 PLL Tab

This tab allows the user to configure the CS43198 PLL. The PLL can be used as an alternate source for the CS43198 MCLK.

CS43198 Registers (CS43198)
CS43198_plugin (CS43198)

Main
PLL
ASP Config
XSP Config
PCM Playback
DSD Playback

PLL Configuration



$$PLL_OUT = \frac{PLL_REF}{PLL_REF_PREDIV} \times \frac{PLL_DIV_INT + PLL_DIV_FRAC}{500/512 \text{ or } 1, \text{ Selected by } PLL_MODE} \times \frac{1}{PLL_OUT_DIV}$$

PLL Setup

Power Down PLL

PLL_REF

PLL_OUT

Enable PLL Interrupts

PLL Output Enable

PLL Status

Ready Error

PLL Configuration Values

<i>PLL_REF_PREDIV</i>	<i>PLL_DIV_INT</i>	<i>PLL_DIV_FRAC</i>
<input type="text" value=""/>	<input type="text" value=""/>	<input type="text" value=""/>
<i>PLL_OUT_DIV</i>	<i>PLL_CAL_RATIO</i>	
<input type="text" value=""/>	<input type="text" value=""/>	
<i>PLL_MODE</i>	<input checked="" type="checkbox"/>	

Figure 30 PLL Tab

5.5.4 Headphone Tab

This tab allows the user to perform the following functions:

1. Enable/disable headphone output
2. Enable headphone presence detection

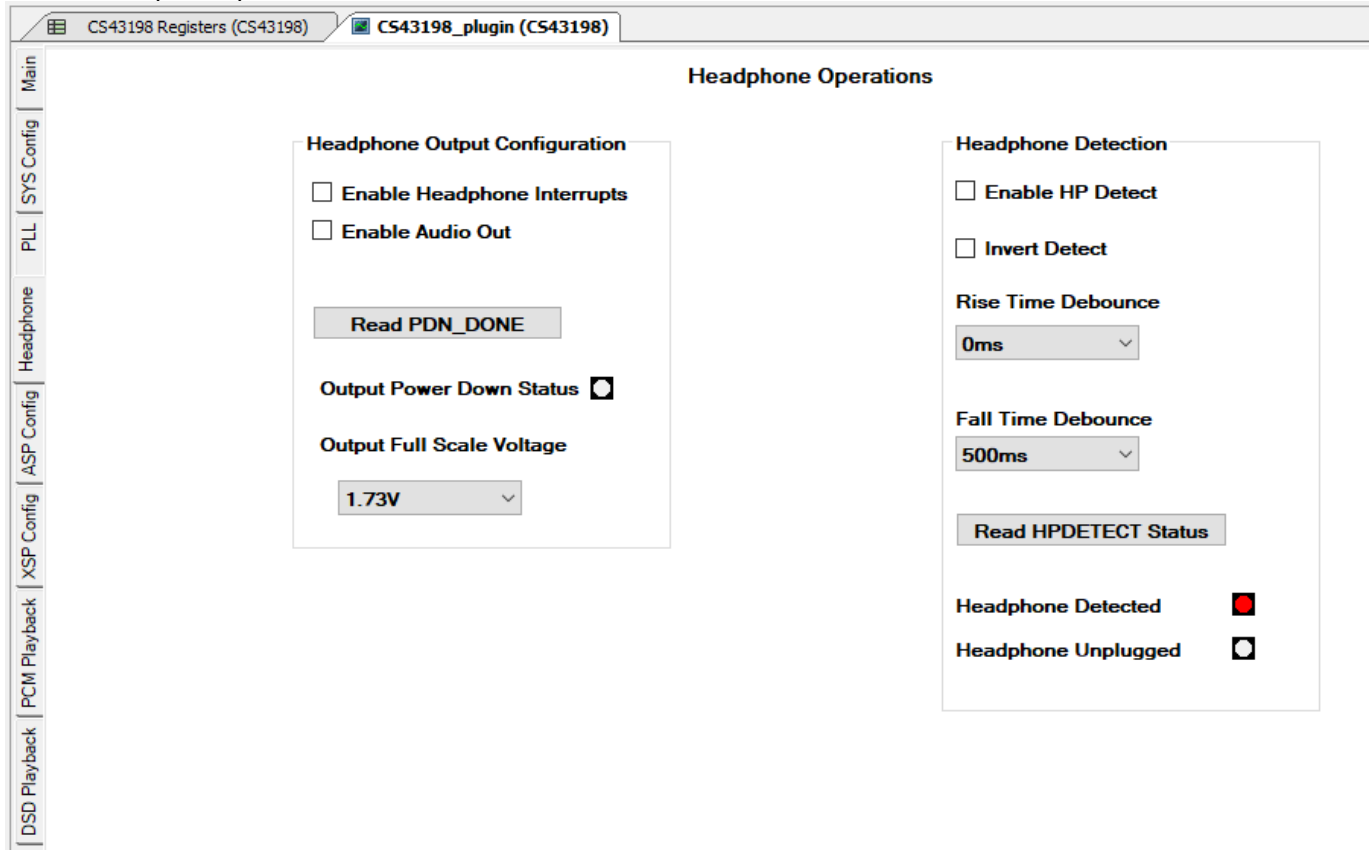


Figure 31 Headphone Tab

5.5.4.1 Enabling Headphone Output

The following steps show how to enable the headphone output using the Headphone tab.

1. Enable headphone interrupts by checking the Enable Headphone Interrupts check box.
2. Configure MCLK source. Configure audio input port.
3. Power up headphone by checking the Enable Headphone Output check box.
4. The headphone output should be powered up.

5.5.4.2 Disabling Headphone Output

The following steps show how to disable the headphone output using the Headphone tab.

1. If the CS43198 just came out of reset, the headphone output is already disabled, so the remaining steps can be skipped.
2. Enable headphone interrupts by checking the Enable Headphone Interrupts check box.
3. Uncheck the Enable Headphone Output check box to power down headphone.
4. Click on Read PDN_HP Status button to read the status of PDN_HP bit.
5. If the PDN_HP bit is set, then the Power Down HP Status LED will turn red to indicate headphone has been powered down.

5.5.4.3 Headphone Presence Detection

The following steps show how to enable headphone presence detection.

1. Enable headphone interrupts by checking the Enable Headphone Interrupts check box.
2. Enable invert detection (to account for the tip detect pin setup of the headphone jack) by checking the Invert Detect check box.
3. Enable headphone presence detection by checking the Enable HP Detect check box.
4. Click on the Read HPDETECT Status button to read status.
5. If a headphone is plugged into the headphone jack, then the Headphone Detected LED will turn green.

5.5.5 ASP Config Tab

This tab allows the user to configure the ASP port. The following figure shows ASP Config tab contents when ASP is configured to operate in Slave mode.

CS43198 Registers (CS43198)
CS43198_plugin (CS43198)

Port Config

Enable ASP Interrupts

Power Up ASP

ASP Mode

Slave ▾

Sample Rate

44.1kHz ▾

Sample Size

24 bits ▾

Frame Configuration

ASP Data Type

I2S ▾

ASP Frame Start

LRCK High to Low ▾

ASP Configuration

Channel Configuration

Channel1	Channel2
Enable <input checked="" type="checkbox"/>	Enable <input checked="" type="checkbox"/>
Location (ASP SCLKs) 0 <input style="width: 100px;" type="text"/> 255	Location (ASP SCLKs) 0 <input style="width: 100px;" type="text"/> 255
Channel Size 24bits ▾	Channel Size 24bits ▾
Active Phase LRCK/FSYNC Low ▾	Active Phase LRCK/FSYNC High ▾

Clock Configuration

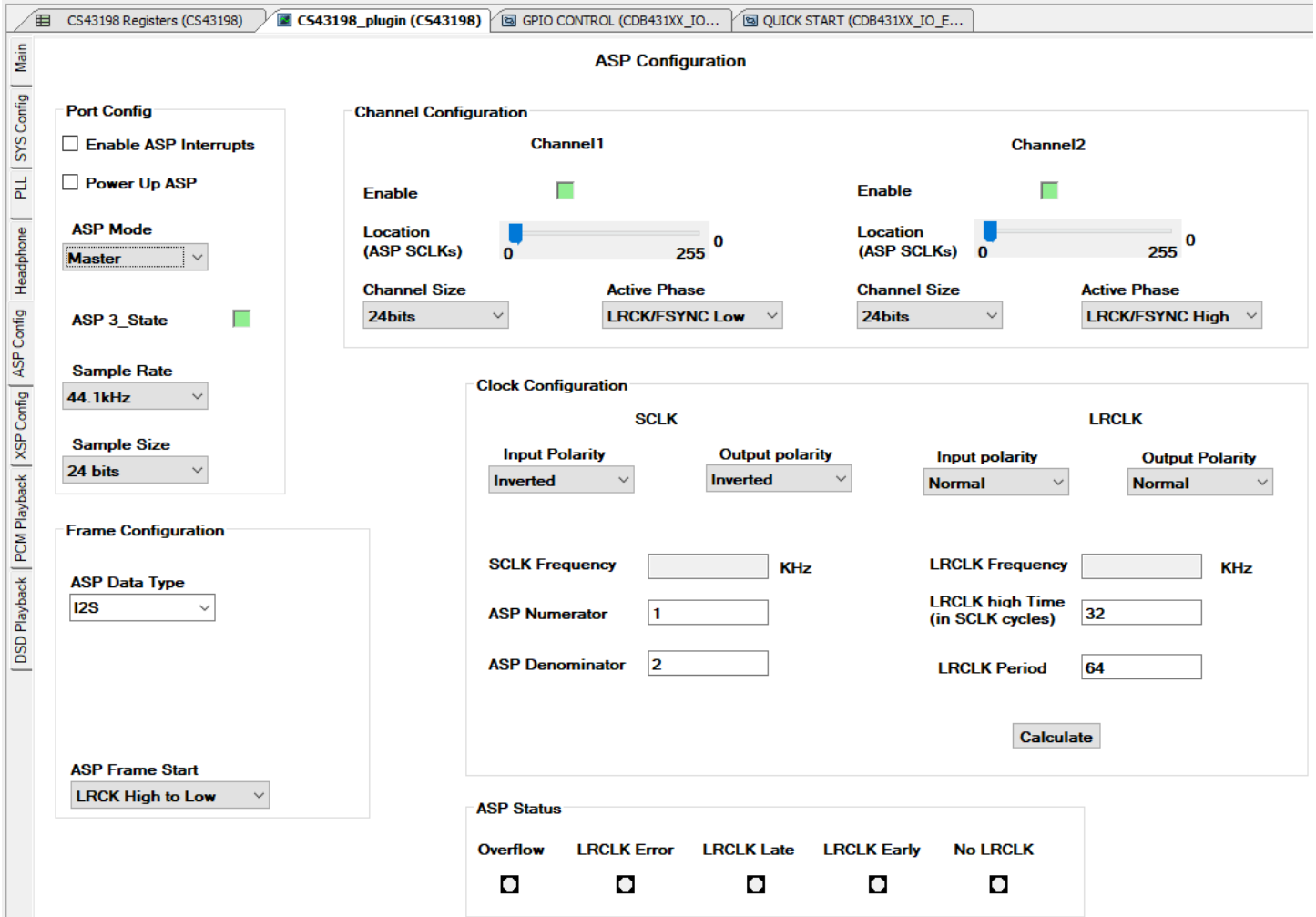
SCLK		LRCLK	
Input Polarity Inverted ▾	Output polarity Inverted ▾	Input polarity Normal ▾	Output Polarity Normal ▾
		LRCLK high Time (in SCLK cycles)	<input style="width: 50px;" type="text" value="32"/>
		LRCLK Period	<input style="width: 50px;" type="text" value="64"/>

ASP Status

Overflow	LRCLK Error	LRCLK Late	LRCLK Early	No LRCLK
<input type="checkbox"/>	<input type="checkbox"/>	<input type="checkbox"/>	<input type="checkbox"/>	<input type="checkbox"/>

Figure 32 ASP Config Tab

The following figure shows the contents of ASP Config tab when ASP is configured to operate in Master mode.



ASP Configuration

Port Config

- Enable ASP Interrupts
- Power Up ASP
- ASP Mode: **Master**
- ASP 3_State:
- Sample Rate: **44.1kHz**
- Sample Size: **24 bits**

Channel Configuration

Channel	Enable	Location (ASP SCLKs)	Channel Size	Active Phase
Channel1	<input checked="" type="checkbox"/>	0 / 255	24bits	LRCK/FSYNC Low
Channel2	<input checked="" type="checkbox"/>	0 / 255	24bits	LRCK/FSYNC High

Clock Configuration

SCLK		LRCLK	
Input Polarity	Output polarity	Input polarity	Output Polarity
Inverted	Inverted	Normal	Normal
SCLK Frequency	_____ KHz	LRCLK Frequency	_____ KHz
ASP Numerator	1	LRCLK high Time (in SCLK cycles)	32
ASP Denominator	2	LRCLK Period	64

ASP Status

Overflow	LRCLK Error	LRCLK Late	LRCLK Early	No LRCLK
<input type="checkbox"/>	<input type="checkbox"/>	<input type="checkbox"/>	<input type="checkbox"/>	<input type="checkbox"/>

Figure 33 ASP Config Tab in Master Mode

Click the Calculate button to determine the frequencies of the SCLK and LRCLK signals. When this button is clicked, the SCLK and LRCLK values will be calculated based on the selected frequency of Internal MCLK (MCLK_INT) and the values in ASP Numerator, ASP Denominator, LRCLK high Time and LRCLK Period text boxes. The value in the LRCLK Frequency text box will be used to set the new sample rate (if it is not already set by user) when the ASP is powered up.

Clock Configuration

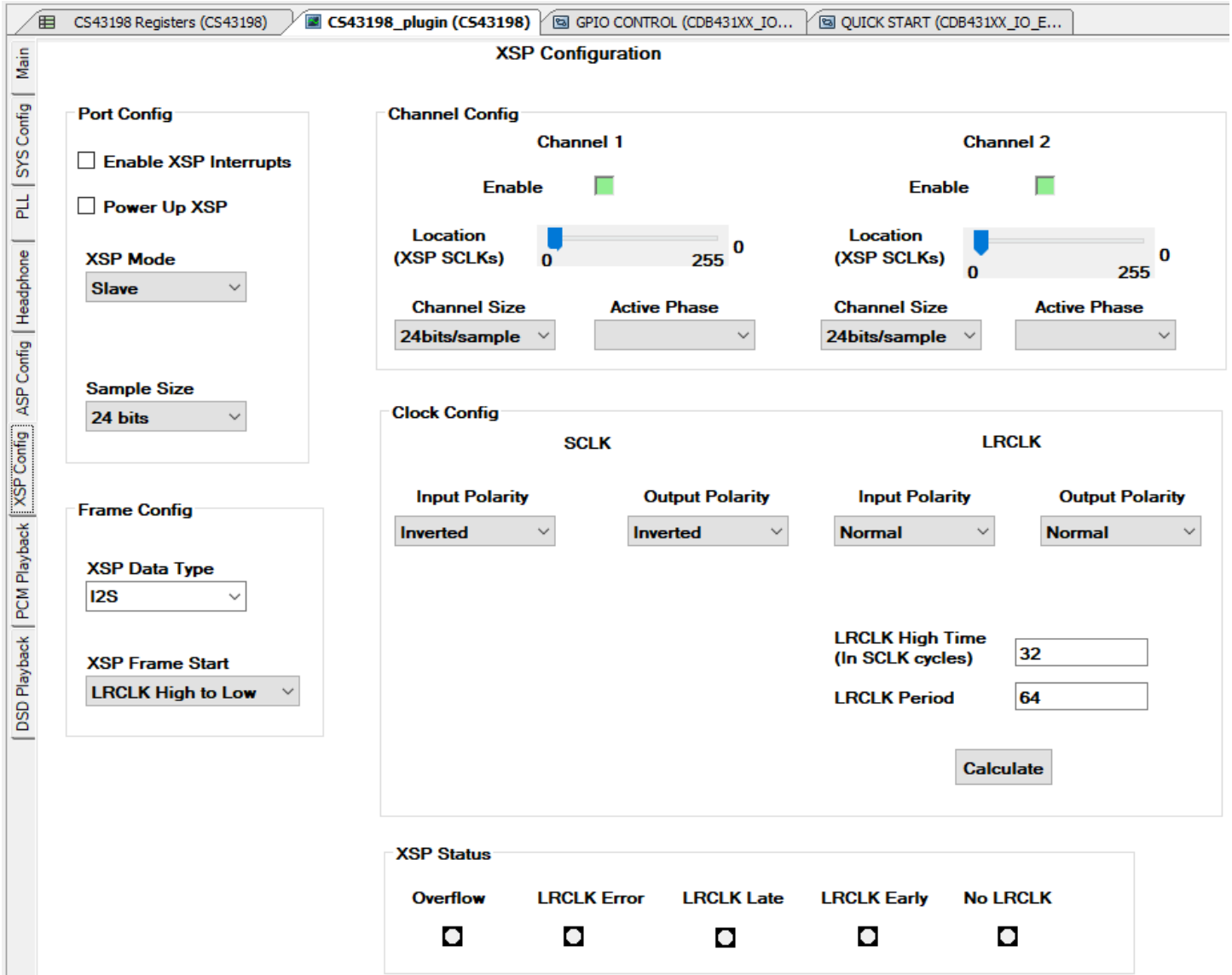
SCLK		LRCLK	
Input Polarity	Output polarity	Input polarity	Output Polarity
<input type="text" value="Inverted"/>	<input type="text" value="Inverted"/>	<input type="text" value="Normal"/>	<input type="text" value="Normal"/>
SCLK Frequency	<input type="text" value="2822.4"/> KHz	LRCLK Frequency	<input type="text" value="44.1"/> KHz
ASP Numerator	<input type="text" value="1"/>	LRCLK high Time (in SCLK cycles)	<input type="text" value="32"/>
ASP Denominator	<input type="text" value="8"/>	LRCLK Period	<input type="text" value="64"/>
<input type="button" value="Calculate"/>			

Figure 34 Calculating ASP Clock Frequencies

It is recommended to use a profile script to configure this port since each field will be preconfigured correctly for the proper mode.

5.5.6 XSP Config Tab

This tab allows the user to configure the XSP port. The following figure shows XSP Config tab contents when XSP is configured to operate in Slave mode.



XSP Configuration

Port Config

- Enable XSP Interrupts
- Power Up XSP
- XSP Mode: **Slave**
- Sample Size: **24 bits**

Channel Config

Channel 1

- Enable:
- Location (XSP SCLKs): **0** (range 0 to 255)
- Channel Size: **24bits/sample**
- Active Phase: **[Dropdown]**

Channel 2

- Enable:
- Location (XSP SCLKs): **0** (range 0 to 255)
- Channel Size: **24bits/sample**
- Active Phase: **[Dropdown]**

Clock Config

SCLK

- Input Polarity: **Inverted**
- Output Polarity: **Inverted**

LRCLK

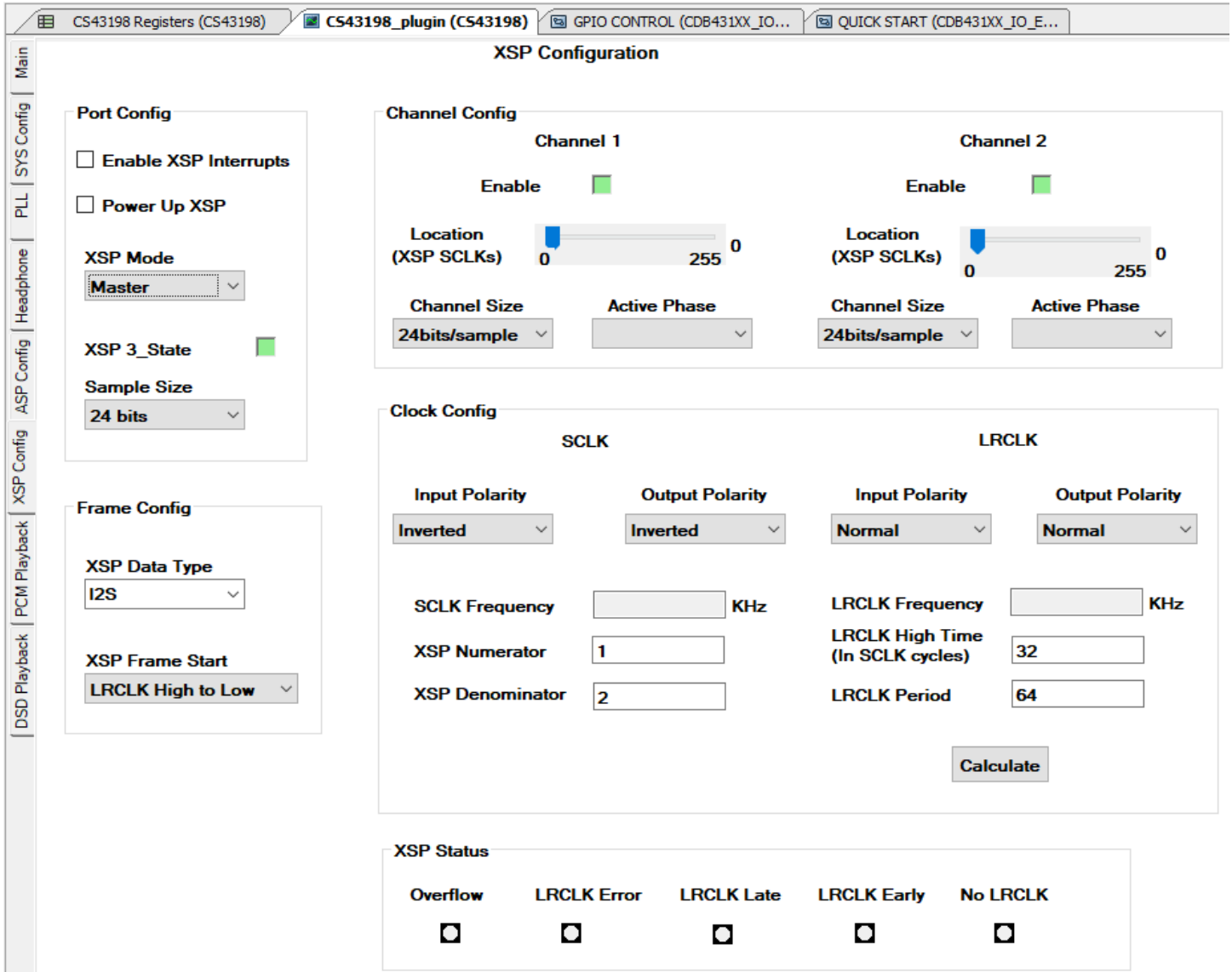
- Input Polarity: **Normal**
- Output Polarity: **Normal**
- LRCLK High Time (In SCLK cycles): **32**
- LRCLK Period: **64**
- Calculate**

XSP Status

- Overflow:
- LRCLK Error:
- LRCLK Late:
- LRCLK Early:
- No LRCLK:

Figure 35 XSP Config Tab in Slave Mode

The following figure shows the contents of XSP Config tab when XSP is configured to operate in Master mode.



XSP Configuration

Port Config

- Enable XSP Interrupts
- Power Up XSP
- XSP Mode: **Master**
- XSP 3_State:
- Sample Size: **24 bits**

Channel Config

Channel 1

- Enable:
- Location (XSP SCLKs): **0** (range 0 to 255)
- Channel Size: **24bits/sample**
- Active Phase: **[]**

Channel 2

- Enable:
- Location (XSP SCLKs): **0** (range 0 to 255)
- Channel Size: **24bits/sample**
- Active Phase: **[]**

Clock Config

SCLK

- Input Polarity: **Inverted**
- Output Polarity: **Inverted**
- SCLK Frequency: **[]** KHz
- XSP Numerator: **1**
- XSP Denominator: **2**

LRCLK

- Input Polarity: **Normal**
- Output Polarity: **Normal**
- LRCLK Frequency: **[]** KHz
- LRCLK High Time (In SCLK cycles): **32**
- LRCLK Period: **64**

Calculate

XSP Status

- Overflow:
- LRCLK Error:
- LRCLK Late:
- LRCLK Early:
- No LRCLK:

Figure 36 XSP Config Tab in Master mode

Click the Calculate button to determine the frequencies of the SCLK and LRCLK signals. When this button is clicked, the SCLK and LRCLK values will be calculated based on the selected frequency of Internal MCLK (MCLK_INT) and the values in XSP Numerator, XSP Denominator, LRCLK high Time and LRCLK Period text boxes. The value in the LRCLK Frequency text box will be used to set the new sample rate (if it is not already set by user) when the XSP is powered up.

Clock Config

SCLK		LRCLK	
Input Polarity	Output Polarity	Input Polarity	Output Polarity
<input type="text" value="Inverted"/>	<input type="text" value="Inverted"/>	<input type="text" value="Normal"/>	<input type="text" value="Normal"/>
SCLK Frequency	<input type="text" value="2822.4"/> KHz	LRCLK Frequency	<input type="text" value="44.1"/> KHz
XSP Numerator	<input type="text" value="1"/>	LRCLK High Time (In SCLK cycles)	<input type="text" value="32"/>
XSP Denominator	<input type="text" value="8"/>	LRCLK Period	<input type="text" value="64"/>
<input type="button" value="Calculate"/>			

Figure 37 Calculating XSP Clock Frequencies

It is recommended to use a profile script to configure this port since each field will be preconfigured correctly for the proper mode.

5.5.7 PCM Playback Tab

This tab allows the user to configure PCM playback path. This tab allows the user to change PCM filter dynamically during playback. The impulse and magnitude responses of the selected filter are displayed. It is recommended to use a profile script to configure this part since each field will be preconfigured correctly for the proper mode.

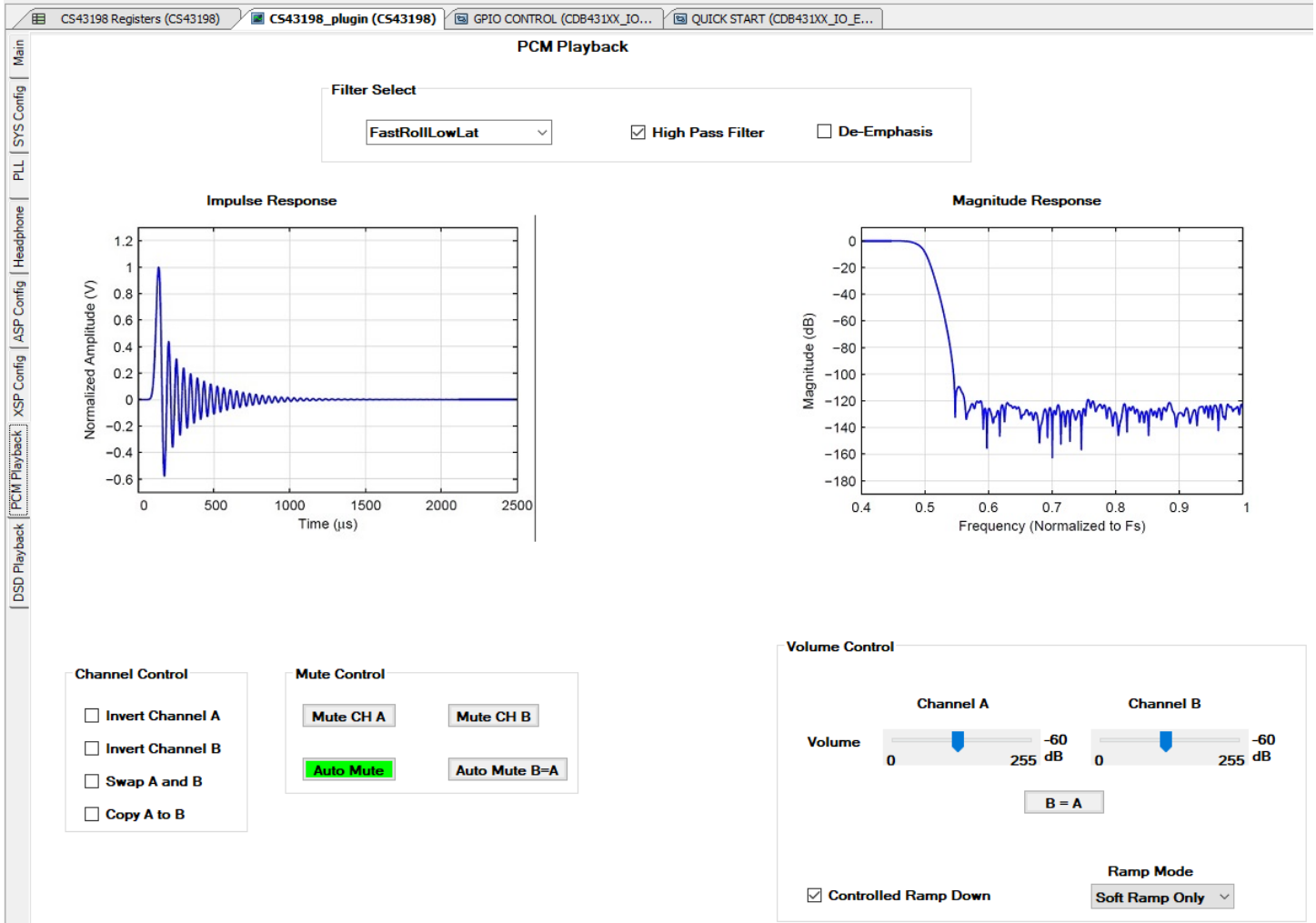
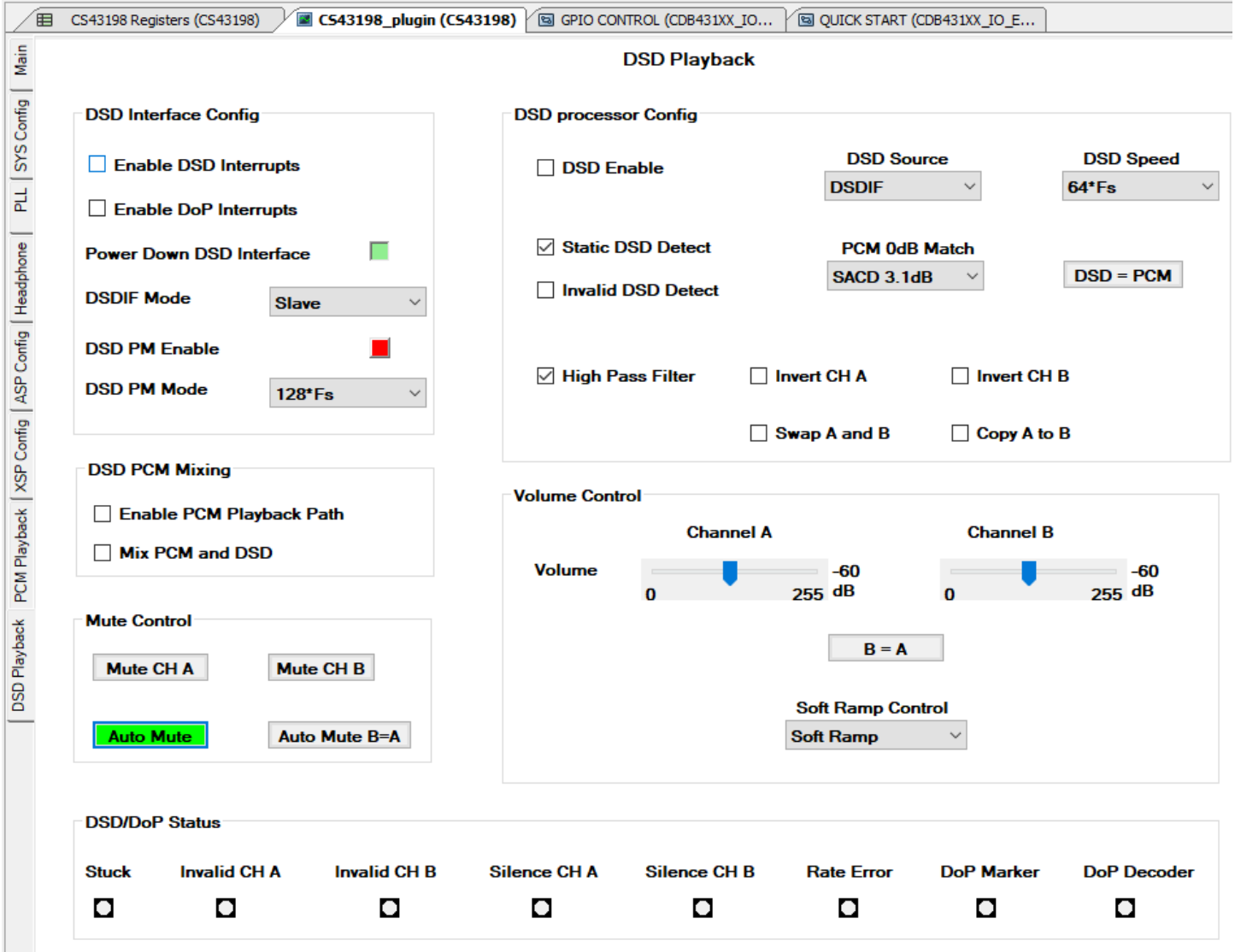


Figure 38 PCM Playback Tab

5.5.8 DSD Playback Tab

This tab allows the user to configure the DSD/DoP playback path. It is recommended to use a profile script to configure this port.



The screenshot displays the 'DSD Playback' configuration window. The interface includes a sidebar with navigation options: Main, SYS Config, PLL, Headphone, ASP Config, XSP Config, PCM Playback, and DSD Playback (selected). The main area is titled 'DSD Playback' and contains several sections:

- DSD Interface Config:**
 - Enable DSD Interrupts
 - Enable DoP Interrupts
 - Power Down DSD Interface:
 - DSDIF Mode: Slave (dropdown)
 - DSD PM Enable:
 - DSD PM Mode: 128*Fs (dropdown)
- DSD PCM Mixing:**
 - Enable PCM Playback Path
 - Mix PCM and DSD
- Mute Control:**
 - Mute CH A (button)
 - Mute CH B (button)
 - Auto Mute (button, highlighted in green)
 - Auto Mute B=A (button)
- DSD processor Config:**
 - DSD Enable
 - DSD Source: DSDIF (dropdown)
 - DSD Speed: 64*Fs (dropdown)
 - Static DSD Detect
 - PCM 0dB Match: SACD 3.1dB (dropdown)
 - Invalid DSD Detect
 - DSD = PCM (button)
 - High Pass Filter
 - Invert CH A
 - Invert CH B
 - Swap A and B
 - Copy A to B
- Volume Control:**
 - Channel A: Volume slider (0 to 255 dB, -60 dB limit)
 - Channel B: Volume slider (0 to 255 dB, -60 dB limit)
 - B = A (button)
 - Soft Ramp Control: Soft Ramp (dropdown)
- DSD/DoP Status:**
 - Stuck:
 - Invalid CH A:
 - Invalid CH B:
 - Silence CH A:
 - Silence CH B:
 - Rate Error:
 - DoP Marker:
 - DoP Decoder:

Figure 39 DSD Playback Tab

6 Testing Various Use cases

Profile scripts are provided along with the plugin to allow the user to test various common use cases. The profile scripts for CS43198 can be found in {WISCE_INSTALL_FOLDER}/Profiles/CS43198. If needed, users can create their own profile scripts to suit their requirements. Individual scripts are provided for each combination of Sample Rate and Output Voltage level for both PCM and DSD modes. The following table shows the list of supported use cases along with corresponding profile scripts.

Table 11 Profile Scripts

Use Case	DAC mode	Scripts (for CS43198)	Audio Input Source
PCM Playback	Master	CDB_PCM_In_DAC_Master, ASP_Master_PCM_Playback_xxx_yyy ¹ xxx is the sample rate yyy is the output voltage level	PCM through ASP header (J25)
PCM Playback	Slave	CDB_Spdif_In_Clk_External, XTAL_In_ASP_Slave_PCM_Playback_xxx_yyy ² xxx is the sample rate yyy is the output voltage level	S/PDIF (J10)
		CDB_Coax_In_Clk_External, XTAL_In_ASP_Slave_PCM_Playback_xxx_yyy ² xxx is the sample rate yyy is the output voltage level	Coaxial (J11)
		CDB_PCM_In_Ext_Slave XTAL_In_ASP_Slave_PCM_Playback_xxx_yyy ² xxx is the sample rate yyy is the output voltage level	PCM through ASP header (J25)
DSD Playback	Slave	CDB_DSD_In_Ext_Slave, Slave_DSD_Playback_xxx_yyy ³ xxx is the DSD Speed yyy is the output voltage level	DSD through XSP header (J26)
DoP Playback (64fs Mode)	Slave	CDB_PCM_In_Ext_Slave, DoP_DSD64_playback_XTAL_Slave	PCM through ASP header (J25)
		CDB_Spdif_In_Clk_External, DoP_DSD64_playback_XTAL_Slave	S/PDIF (J10)
		CDB_Coax_In_Clk_External, DoP_DSD64_playback_XTAL_Slave	Coaxial (J11)
DoP Playback (128fs Mode)	Slave	CDB_PCM_In_Ext_Slave, DoP_DSD128_playback_XTAL_Slave	PCM through ASP header (J25)
Switch MCLK frequency	—	Switch_MCLK_Frequency	—

Notes:

1. For example, if the desired sample rate is 48 kHz and desired output voltage is 1 V, then load the ASP_Master_PCM_Playback_48K_1V0 script.
2. For example, if the incoming sample rate is 48 kHz and desired output voltage is 1 V, then load the XTAL_In_ASP_Slave_PCM_Playback_48K_1V0 script.
3. For example, if playing back DSD stream at 64 Fs and the desired output voltage is 1.7 V, then load the Slave_DSD_Playback_64fs_1v7 script.

Table 12 Additional Profile Scripts for CS43198

Script	Function
Power_Up_HP	Power up HP and ASP (for PCM/DoP playback)
Power_Up_HP_DSD_mode	Power up HP (for DSD playback)
Power_Down_HP_PCM_mode	Power down ASP and HP
Power_Down_HP_DSD_mode	Power down HP

6.1 Data Flow for Various Use Cases

The following sections depict the flow of data, in red, for various common use cases.

6.1.1 PCM Playback

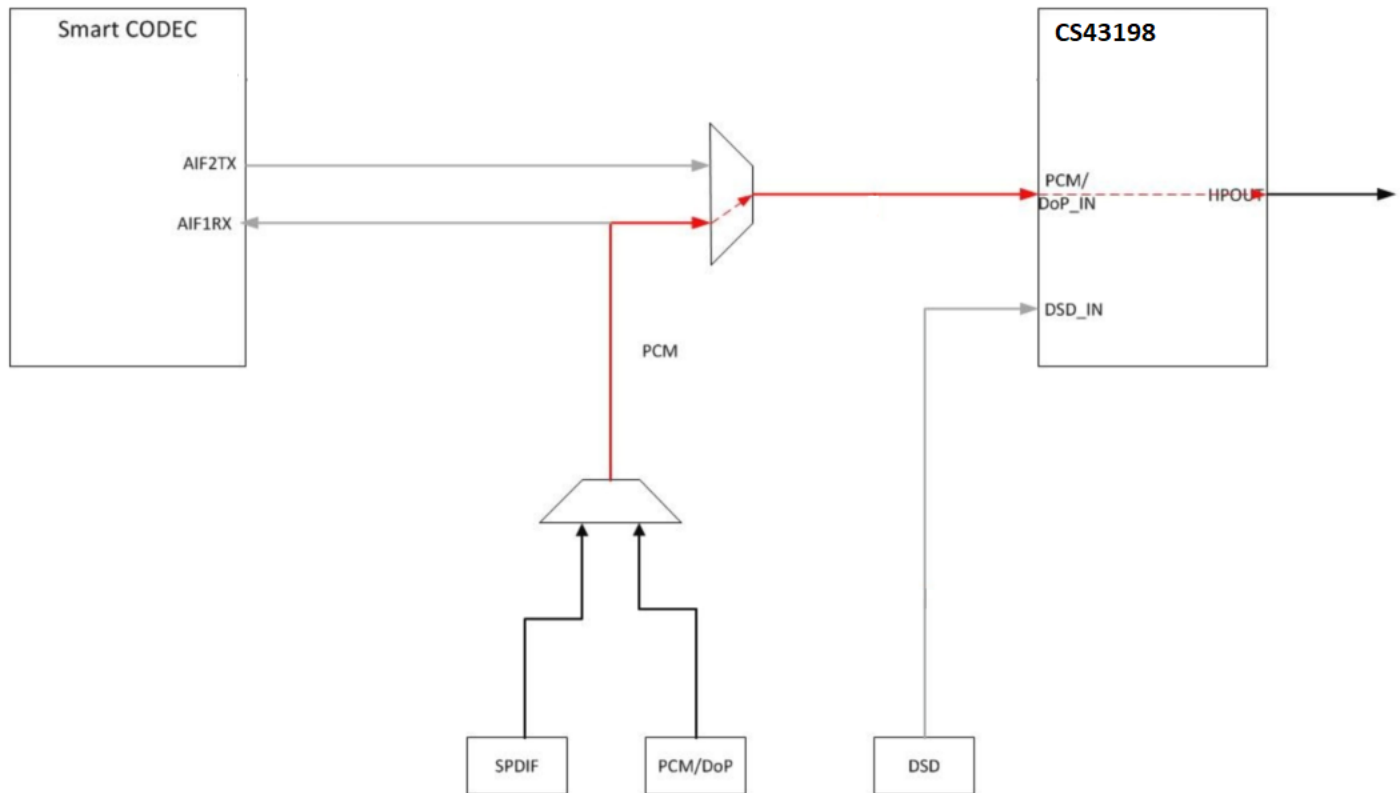


Figure 40 PCM Playback Data Flow

6.1.2 DSD Playback

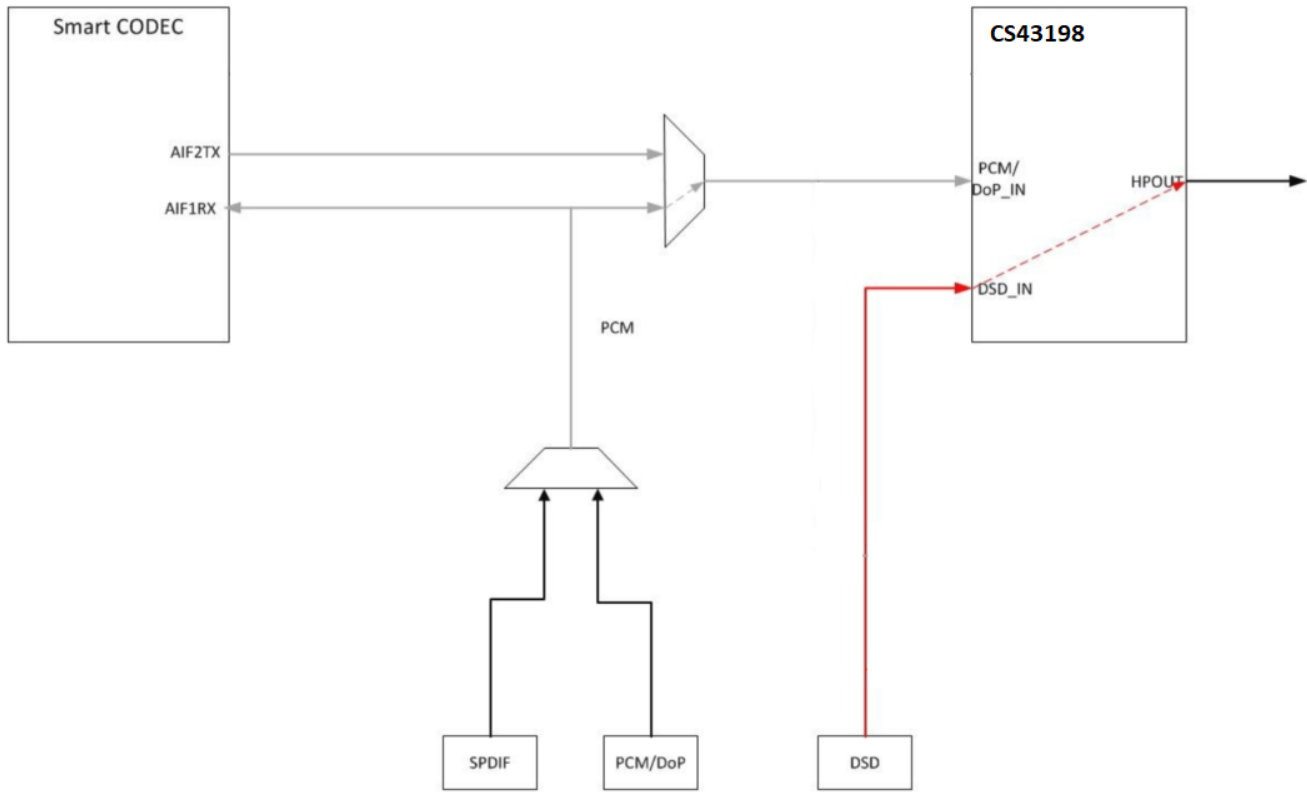


Figure 41 DSD Playback Data Flow

6.2 Measuring Dynamic Range and THD+N for the CS43198

This section describes the test setup and the procedure to measure dynamic range and THD+N for CS43198.

6.2.1 Test Program Setup

The following steps show how to setup the CDB43198 for THD+N measurement. Please make sure that the CDB43198 jumpers are set to factory default mode.

1. Power up the CDB43198 by applying +5 V or VBUS through a USB connection.
2. Connect a cable from "Digital Serial IO" Transmitter port of an APx (e.g. APx555) to header J25 on CDB43198 board. There is no need to connect the MCLK signal.
3. Follow the steps described in the Quick Setup Guide to launch WISCE and load plugins.
4. Load the profile script CDB_PCM_In_Ext_Slave from {WISCE_INSTALL_FOLDER}/Profiles/CS43198 .

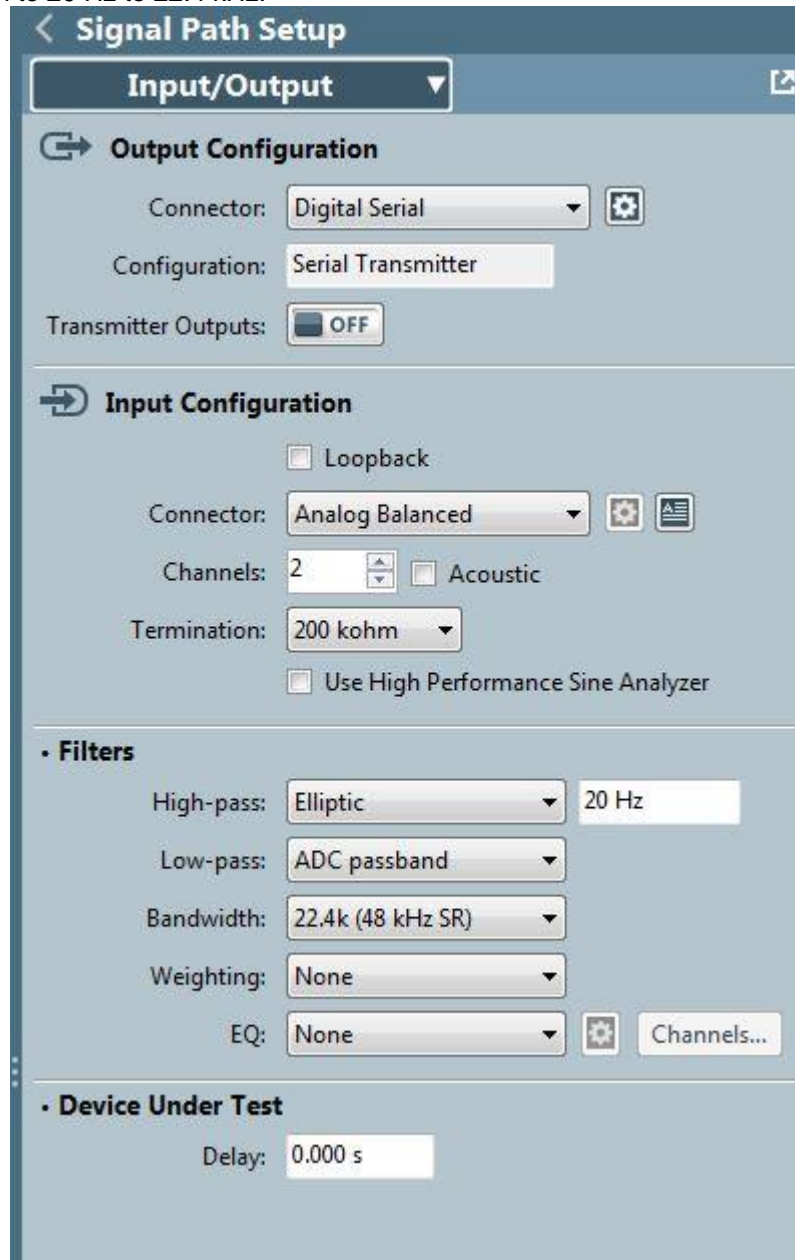


Figure 42 Test Setup

6.2.2 APx Setup

The following steps show how to configure the APx for running the tests. This procedure was tested using an APx555.

1. Run the APx software. (APx500 v4.2 if using an APx555)
2. Set the APx Output to Digital Serial and Input to Analog Balanced.
3. Set the Input Bandwidth to 20 Hz to 22.4 kHz.



Signal Path Setup

Input/Output

Output Configuration

Connector: Digital Serial

Configuration: Serial Transmitter

Transmitter Outputs: OFF

Input Configuration

Loopback

Connector: Analog Balanced

Channels: 2 Acoustic

Termination: 200 kohm

Use High Performance Sine Analyzer

Filters

High-pass: Elliptic 20 Hz

Low-pass: ADC passband

Bandwidth: 22.4k (48 kHz SR)

Weighting: None

EQ: None Channels...

Device Under Test

Delay: 0.000 s

Figure 43 APx Signal Path Setup

- In the Signal Path Setup panel, click on the settings button next to Connector drop down menu and configure Digital Serial Settings as shown below.

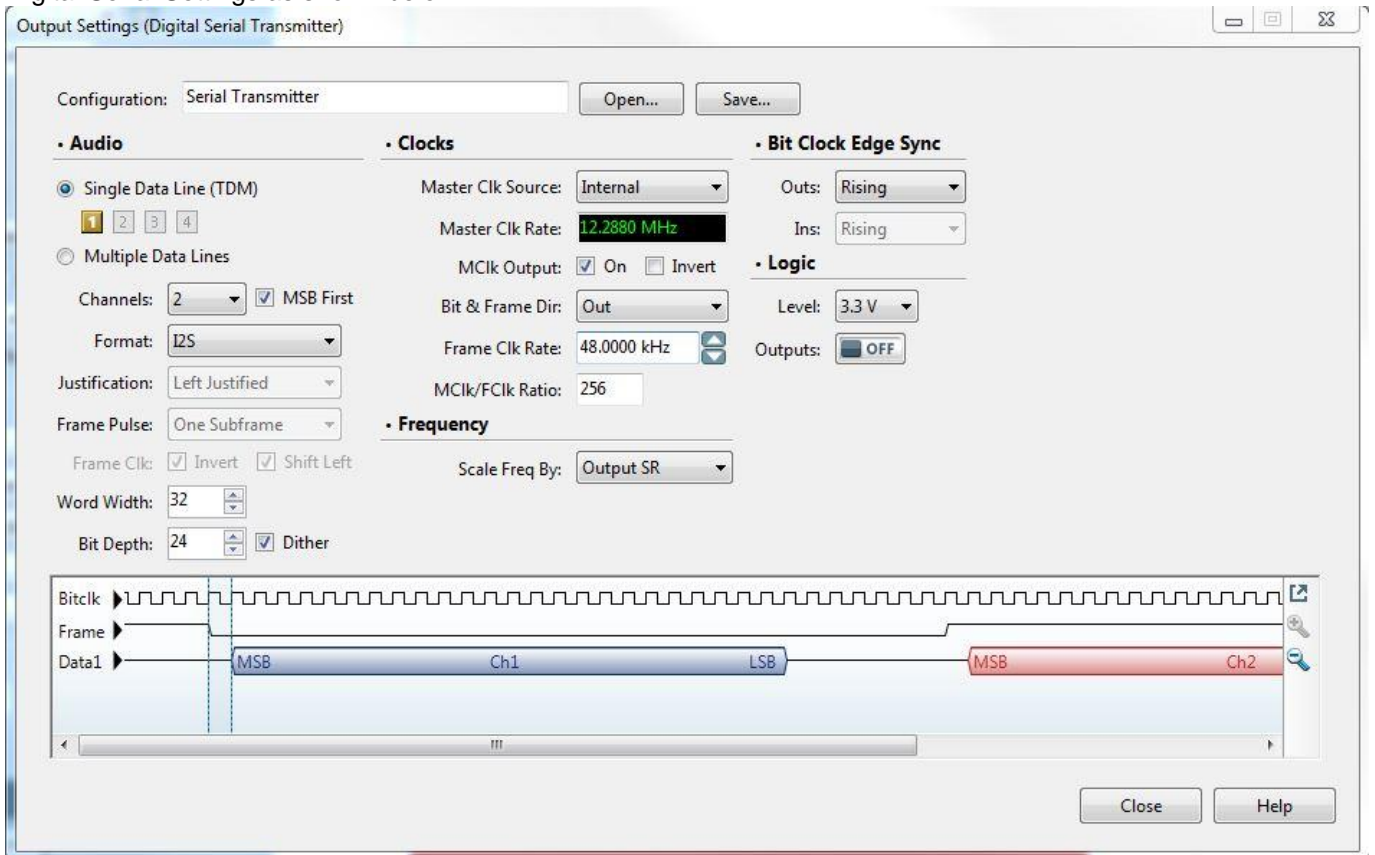


Figure 44 Digital Serial Settings

- To launch the Dynamic Range Measurement test, click on Project-> Add Measurement -> Meters -> Dynamic Range - AES17. This will launch the dynamic range test screen.

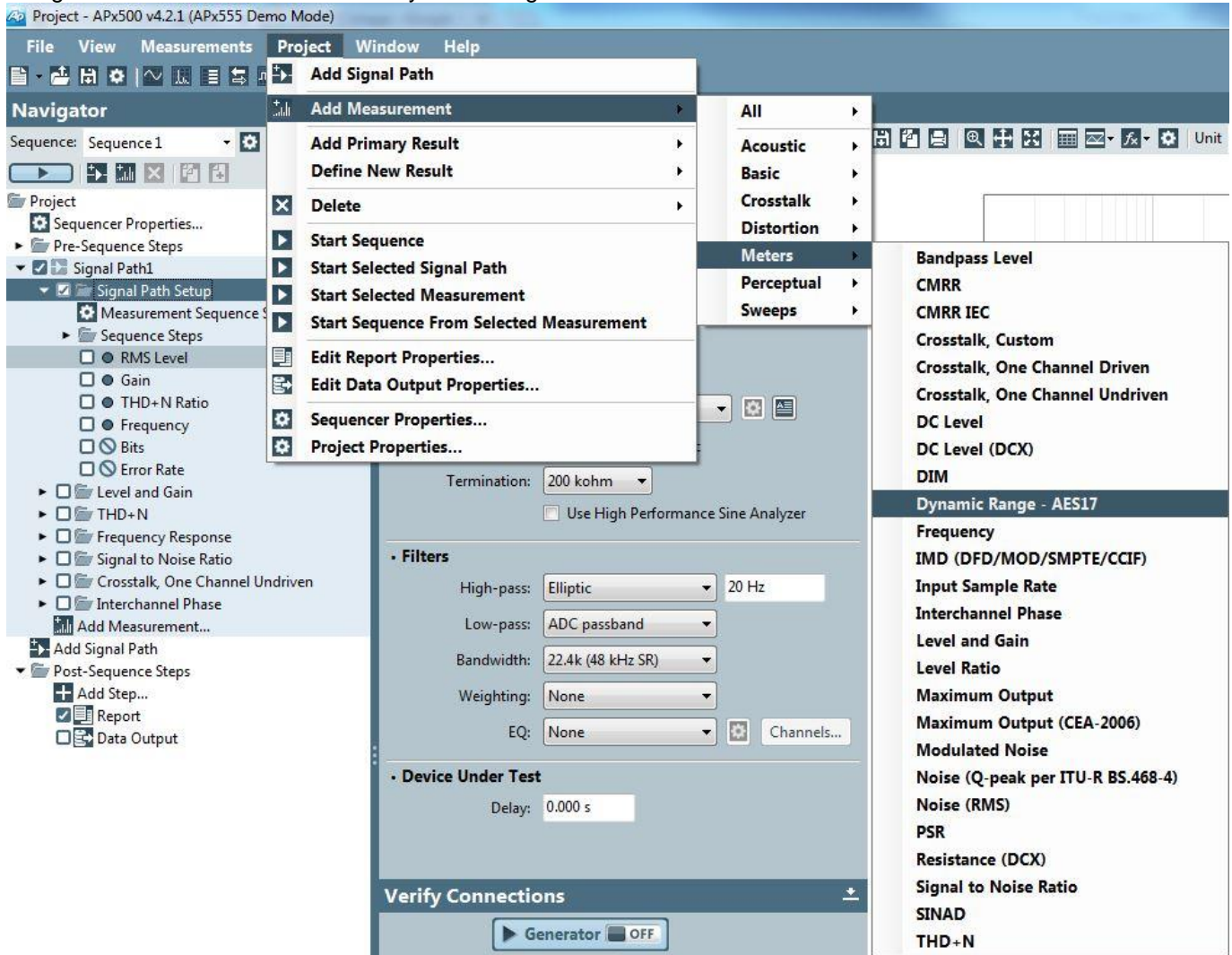


Figure 45 Launch Dynamic Range Test

6. To run the Dynamic Range Measurement test, configure the Input Level and Bandwidth as shown below. Click on the "Start" button to run the test. Dynamic Range values will be displayed for both channels.

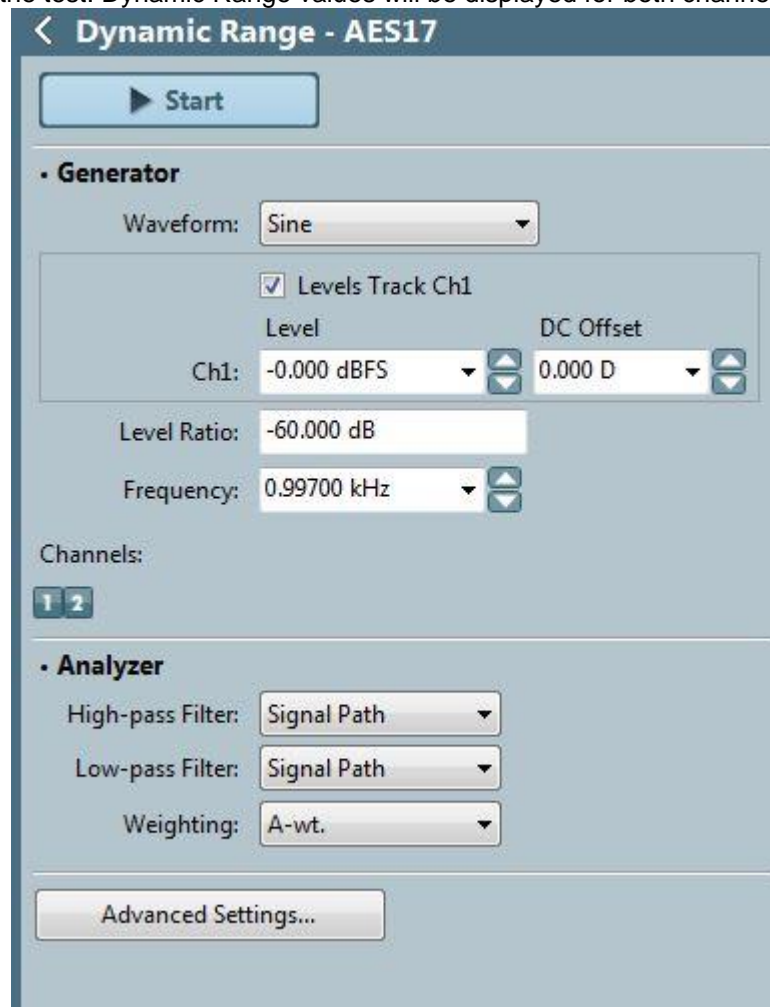


Figure 46 Dynamic Range Test

7. To launch THD+N test, click on Project-> Add Measurement -> Meters ->THD+N to launch THD+N measurement window.

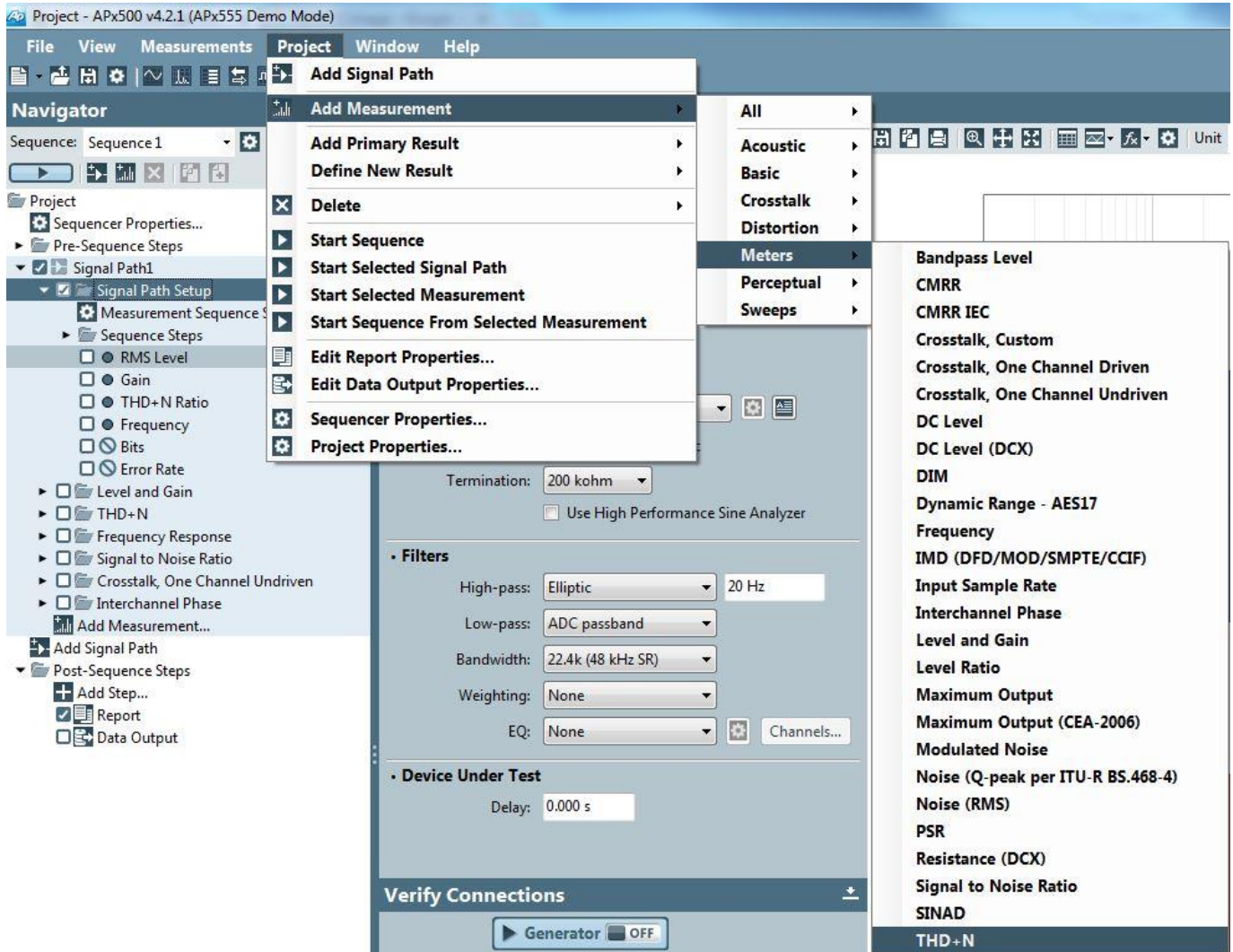


Figure 47 Launch THD+N Test

- To run THD+N test, configure the Input Level and Bandwidth as shown below. Click on the "Generator" button to run the test. THD+N ratio will be displayed for both channels. THD+N ratio is typically displayed in Percentage (%). To display the values in dB, select "dB" from the drop down menu next to Unit on top of the display.

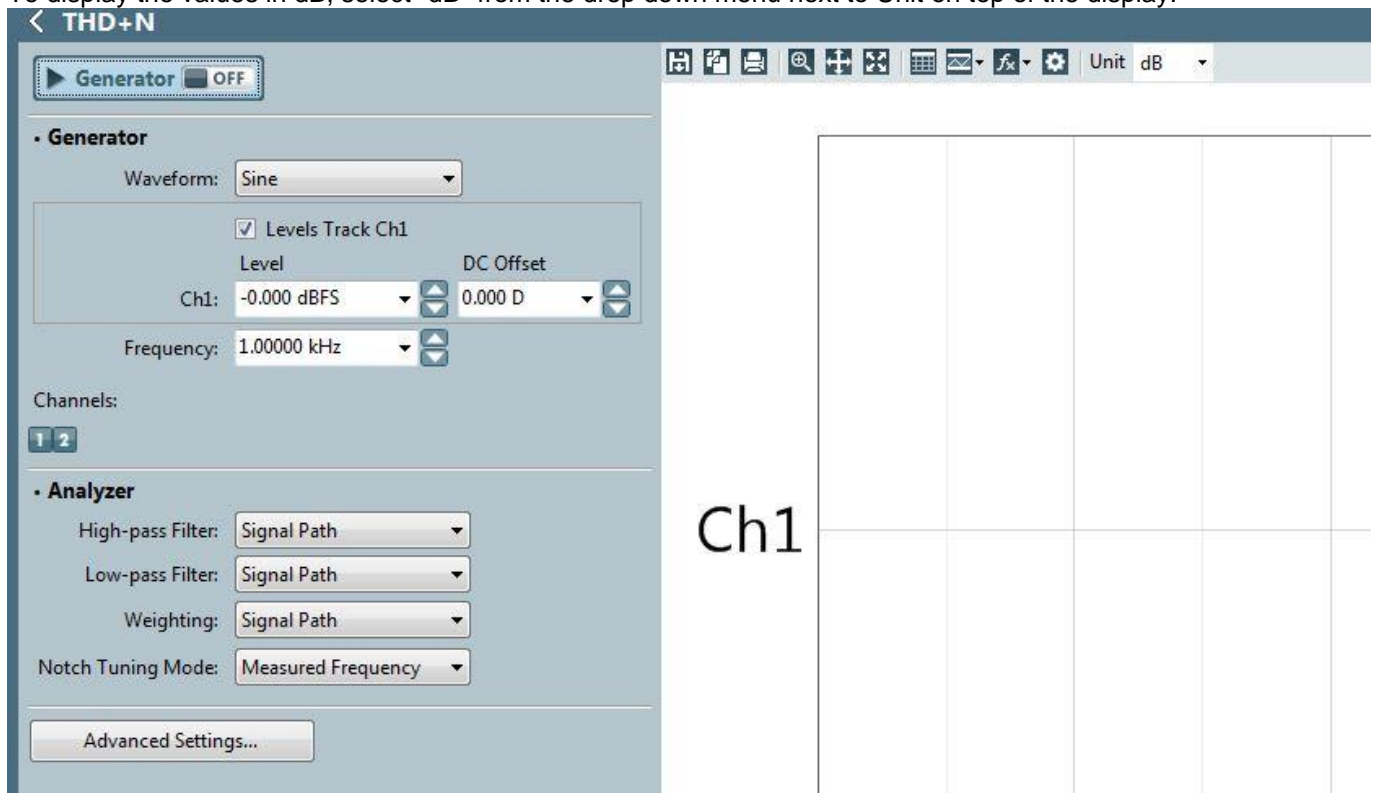


Figure 48 THD+N Measurement Settings

6.2.3 Measuring Dynamic Range for the CS43198

To measure dynamic range in WISCE click File->Load and select XTAL_In_ASP_Slave_PCM_Playback_48K_1v7.txt file from {WISCE_INSTALL_FOLDER}/profiles/CS43198 to configure CS43198 for audio playback in Slave Mode. Note, this method only works when measuring the CSP device. The QFN device (with mono output) does not interface easily with the CDB-HDR-MEAS board.

6.2.3.1 Measuring Dynamic Range

The following steps show the procedure to measure dynamic range.

1. Place a jumper connecting the 600-Ω load on J15.
2. Place a jumper connecting the 600-Ω load on J4.
3. Connect a headphone cable between CSP-AOUT(J1) and the input of the CDB-HDR-MEAS.
4. Power up the CDB-HDR-MEAS board with ±15V and GND.
5. For each channel, connect a cable between the BNC jacks (Left Channel, Right Channel) and Balanced port on Analog Inputs 1 and 2 on the APx.

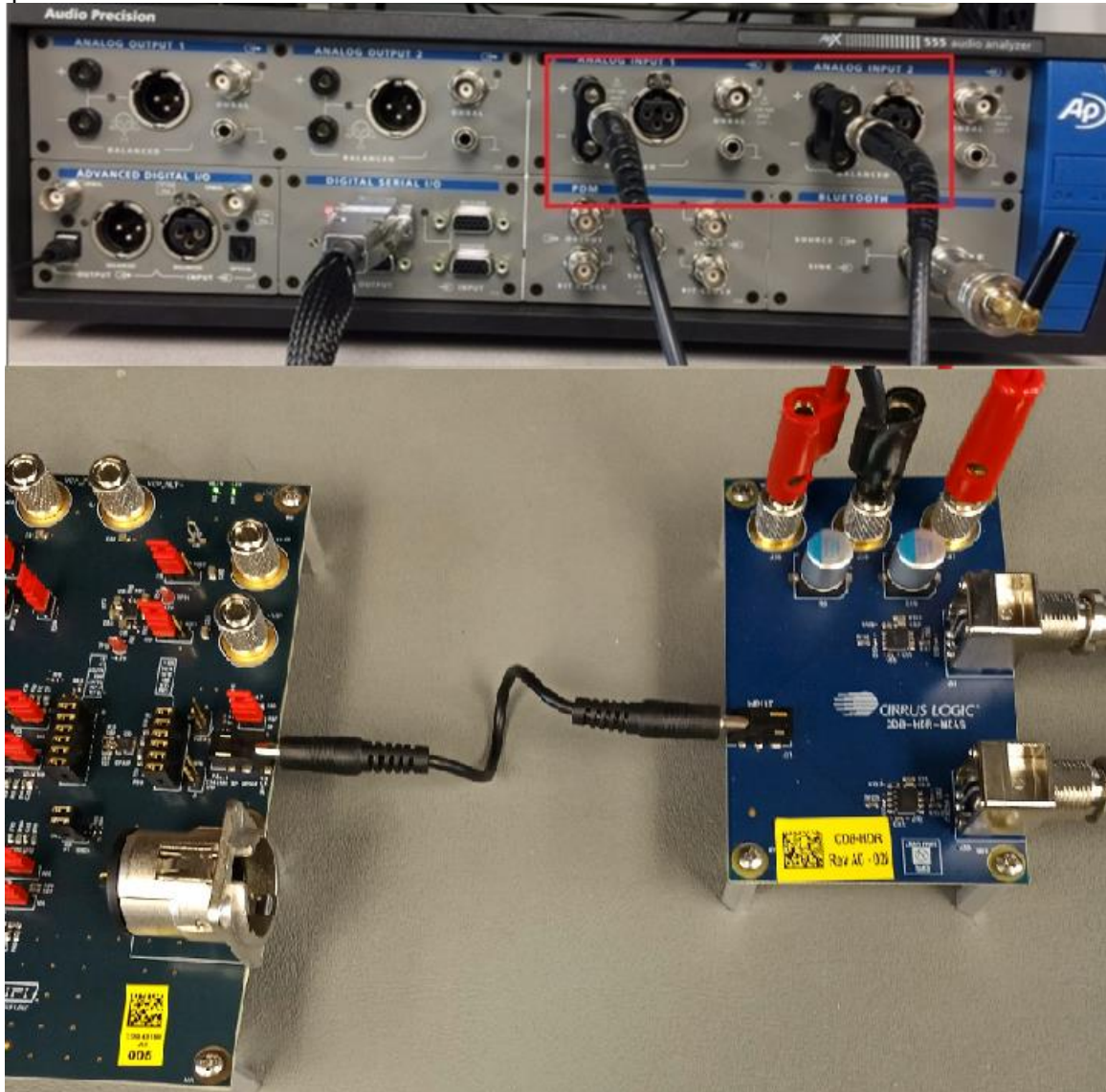


Figure 49 Dynamic Range Setup for CS43198

6. Configure APx and run Dynamic Range Measurement test as described in section 6.2.2.

6.2.4 Measuring THD+N for the CS43198

To measure THD+N in WISCE click File->Load and select XTAL_In_ASP_Slave_PCM_Playback_48K_1v7.txt file from {WISCE_INSTALL_FOLDER}/profiles/CS43198 to configure CS43198 for audio playback in Slave Mode.

6.2.4.1 Measuring THD+N on CSP Device

The following steps show the procedure to measure THD+N.

1. Place a jumper connecting the 600-Ω load on J15.
2. Place a jumper connecting the 600-Ω load on J4.
3. Connect a headphone-RCA or headphone-BNC cable between CSP-AOUT(J1) and the Balanced port on Analog inputs 1 and 2 on the APx.

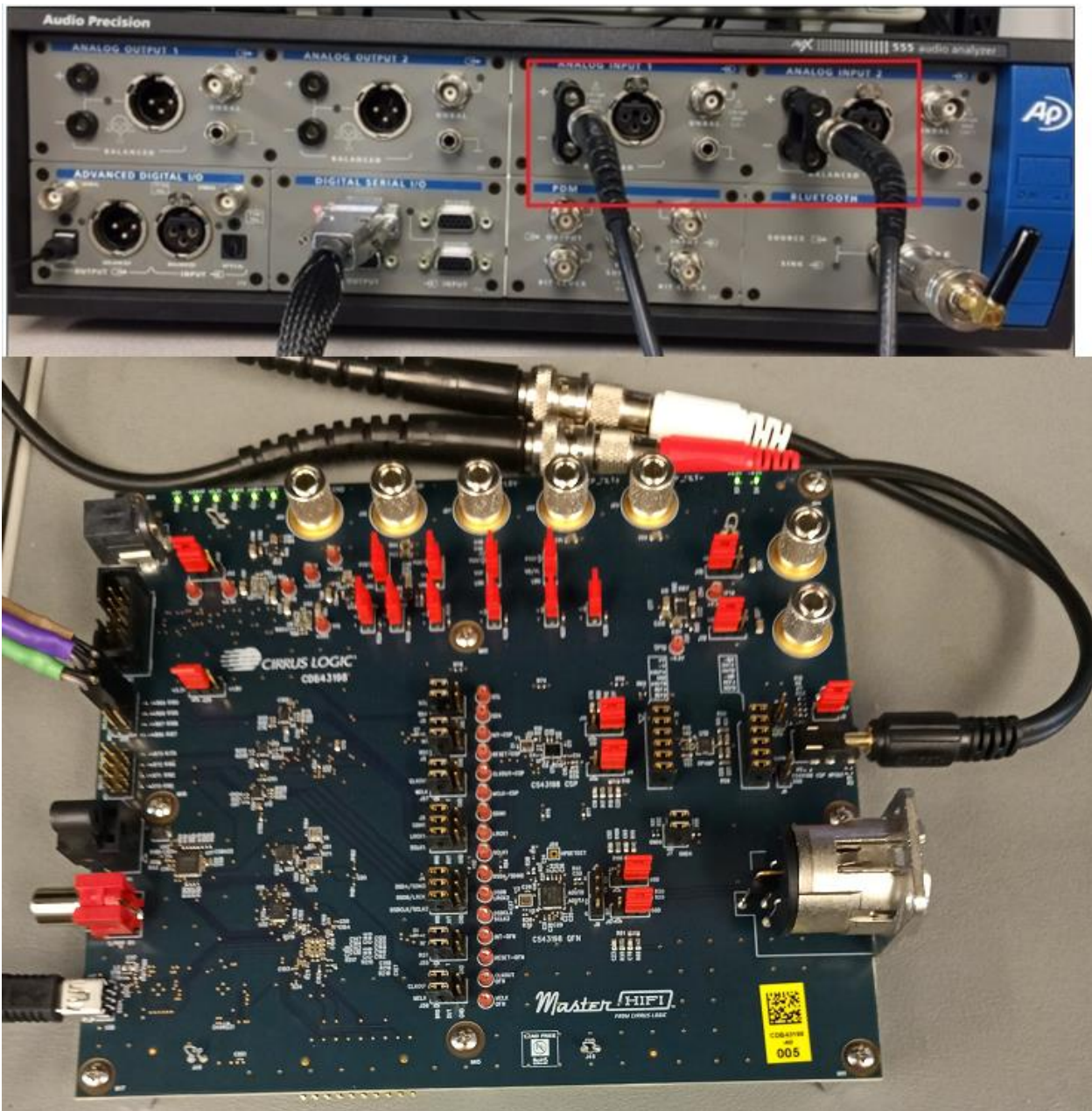


Figure 50 THD+N Measurement for CS43198 CSP

4. Configure APx and run THD+N Measurement test as described in section 6.2.2.

6.2.4.2 Measuring THD+N on QFN Device

The following steps show the procedure to measure THD+N.

1. Place a jumper connecting the 600- Ω load on J17.
2. Place a jumper connecting the 600- Ω load on J31.
3. Connect a XLR cable between QFN-OUT(J60) and the Balanced XLR port on Analog input 1 on the APx.

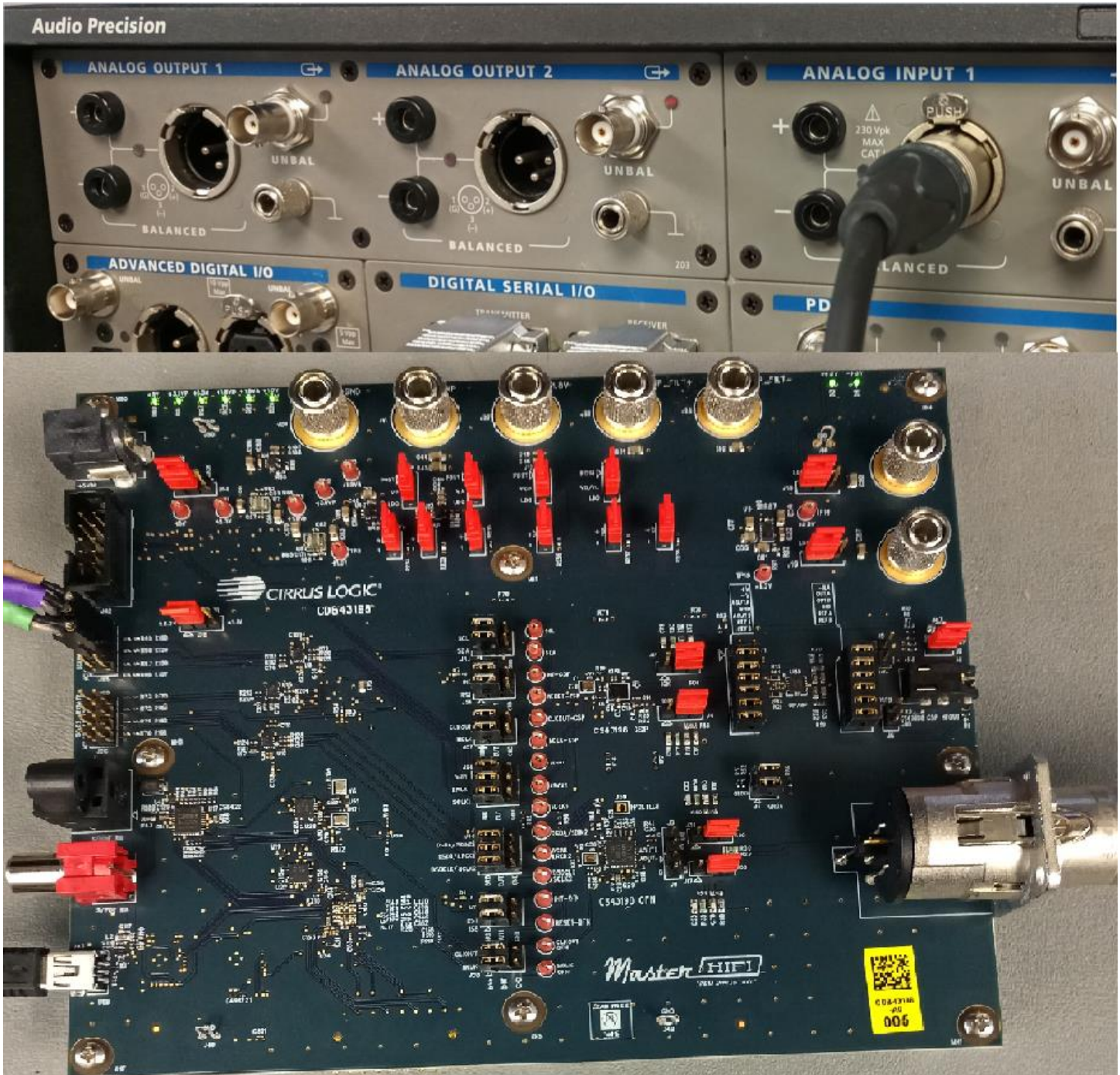


Figure 51 THD+N Measurement for CS43198 QFN

4. Configure APx and run THD+N Measurement test as described in section 6.2.2.

6.3 Measured Results

This section shows some measured dynamic range and THD+N results from the CDB43198K kit.

6.3.1 Test Waveforms

All test waveforms were generated using the APx Waveform Generator Utility that can be found on the Audio Precision website.

Table 13 Test Waveforms

Test Type	Waveform Name	Sample Rates	Resolution	Channels
THD+N	Reference Level (0 dB)	44.1 kHz	24 bit	2
DNR	Dynamic Range (1 kHz)	44.1 kHz	24 bit	2

6.3.2 THD+N Results

The table below lists measured THD+N results using the test waveforms under varying load and full-scale voltage conditions.

Table 14 Measured THD+N Results

Output Load (R _L)	Full Scale Voltage (VRMS)	Channel	Datasheet Spec (Typical)	Measured Result ¹
10k	1.7	A	-115 dB	-113.9 dB
		B		-113.6 dB
		XLR		-114.4 dB
600	1.7	A	-115 dB	-113.4 dB
		B		-113.7 dB
		XLR		-114.9 dB

Notes:

1. Refer to CS43198 data sheet for test conditions

6.3.3 Dynamic Range (DNR) Results

The table below lists measured DNR results using the test waveforms under varying load and full-scale voltage conditions.

Table 15 Measured DNR Results

Output Load (R _L)	Full Scale Voltage (VRMS)	Channel	Datasheet Spec (Typical)	Measured Result ¹
600	1.7	A	130 dB	129.0 dB ²
		B		129.1 dB ²
		XLR		131.5 dB

Note:

1. Refer to CS43198 data sheet for test conditions
2. Tested with CDB-HDR-MEAS Board

7 Revision History

Revision	Changes
DB1 AUG '18	• Initial release
DB2 SEP '18	• Updated kit name to CDB43198K

Contacting Cirrus Logic Support

For all product questions and inquiries, contact a Cirrus Logic Sales Representative.

To find one nearest you, go to www.cirrus.com.

IMPORTANT NOTICE

The products and services of Cirrus Logic International (UK) Limited; Cirrus Logic, Inc.; and other companies in the Cirrus Logic group (collectively either "Cirrus Logic" or "Cirrus") are sold subject to Cirrus Logic's terms and conditions of sale supplied at the time of order acknowledgment, including those pertaining to warranty, indemnification, and limitation of liability. Software is provided pursuant to applicable license terms. Cirrus Logic reserves the right to make changes to its products and specifications or to discontinue any product or service without notice. Customers should therefore obtain the latest version of relevant information from Cirrus Logic to verify that the information is current and complete. Testing and other quality control techniques are utilized to the extent Cirrus Logic deems necessary. Specific testing of all parameters of each device is not necessarily performed. In order to minimize risks associated with customer applications, the customer must use adequate design and operating safeguards to minimize inherent or procedural hazards. Cirrus Logic is not liable for applications assistance or customer product design. The customer is solely responsible for its product design, including the specific manner in which it uses Cirrus Logic components, and certain uses or product designs may require an intellectual property license from a third party. Features and operations described herein are for illustrative purposes only and do not constitute a suggestion or instruction to adopt a particular product design or a particular mode of operation for a Cirrus Logic component.

CERTAIN APPLICATIONS USING SEMICONDUCTOR PRODUCTS MAY INVOLVE POTENTIAL RISKS OF DEATH, PERSONAL INJURY, OR SEVERE PROPERTY OR ENVIRONMENTAL DAMAGE ("CRITICAL APPLICATIONS"). CIRRUS LOGIC PRODUCTS ARE NOT DESIGNED, AUTHORIZED OR WARRANTED FOR USE IN PRODUCTS SURGICALLY IMPLANTED INTO THE BODY, AUTOMOTIVE SAFETY OR SECURITY DEVICES, NUCLEAR SYSTEMS, LIFE SUPPORT PRODUCTS OR OTHER CRITICAL APPLICATIONS. INCLUSION OF CIRRUS LOGIC PRODUCTS IN SUCH APPLICATIONS IS UNDERSTOOD TO BE FULLY AT THE CUSTOMER'S RISK AND CIRRUS LOGIC DISCLAIMS AND MAKES NO WARRANTY, EXPRESS, STATUTORY OR IMPLIED, INCLUDING THE IMPLIED WARRANTIES OF MERCHANTABILITY AND FITNESS FOR PARTICULAR PURPOSE, WITH REGARD TO ANY CIRRUS LOGIC PRODUCT THAT IS USED IN SUCH A MANNER. IF THE CUSTOMER OR CUSTOMER'S CUSTOMER USES OR PERMITS THE USE OF CIRRUS LOGIC PRODUCTS IN CRITICAL APPLICATIONS, CUSTOMER AGREES, BY SUCH USE, TO FULLY INDEMNIFY CIRRUS LOGIC, ITS OFFICERS, DIRECTORS, EMPLOYEES, DISTRIBUTORS AND OTHER AGENTS FROM ANY AND ALL LIABILITY, INCLUDING ATTORNEYS' FEES AND COSTS, THAT MAY RESULT FROM OR ARISE IN CONNECTION WITH THESE USES.

This document is the property of Cirrus Logic, and you may not use this document in connection with any legal analysis concerning Cirrus Logic products described herein. No license to any technology or intellectual property right of Cirrus Logic or any third party is granted herein, including but not limited to any patent right, copyright, mask work right, or other intellectual property rights. Any provision or publication of any third party's products or services does not constitute Cirrus Logic's approval, license, warranty or endorsement thereof. Cirrus Logic gives consent for copies to be made of the information contained herein only for use within your organization with respect to Cirrus Logic integrated circuits or other products of Cirrus Logic, and only if the reproduction is without alteration and is accompanied by all associated copyright, proprietary and other notices and conditions (including this notice). This consent does not extend to other copying such as copying for general distribution, advertising or promotional purposes, or for creating any work for resale. This document and its information is provided "AS IS" without warranty of any kind (express or implied). All statutory warranties and conditions are excluded to the fullest extent possible. No responsibility is assumed by Cirrus Logic for the use of information herein, including use of this information as the basis for manufacture or sale of any items, or for infringement of patents or other rights of third parties. Cirrus Logic, Cirrus, the Cirrus Logic logo design, WISCE, Halo Core, and SoundClear are among the trademarks of Cirrus Logic. Other brand and product names may be trademarks or service marks of their respective owners.

Copyright © 2018 Cirrus Logic, Inc. and Cirrus Logic International Semiconductor Ltd. All rights reserved.

Windows is a registered trademark of Microsoft Corporation.

X-ON Electronics

Largest Supplier of Electrical and Electronic Components

Click to view similar products for [Audio IC Development Tools](#) category:

Click to view products by [Cirrus](#) manufacturer:

Other Similar products are found below :

[PCM2903EVM-U](#) [EVAL-AD1871EBZ](#) [PGA4311EVM](#) [1580/5171-DEMO](#) [LM4906MMBD](#) [LM4935RLEVAL](#) [LME49710NABD](#)
[LME49740MABD](#) [LME49740NABD](#) [LME49860MABD](#) [LME49870MABD](#) [EV1740EC-00A](#) [EVAL-AD1939AZ](#) [EVAL-AD1940AZ](#)
[EVAL-ADAU1401AEBZ](#) [EVAL-SSM2529Z](#) [EVAL-SSM2537Z](#) [SRC4382EVM-PDK](#) [ADZS-SHAUDIO-EZEXT](#) [STEVAL-CCA037V1](#)
[TLV320AIC3110EVM-U](#) [TLV320AIC36EVM-K](#) [TLV320DAC3120EVM-U](#) [TPA5052EVM](#) [TPA6136A2YFFEVM](#) [LM4562HABD](#)
[LM4906LDBD](#) [LM4923LQBD](#) [LM4992SDBD](#) [LME49710MABD](#) [LME49713MABD](#) [LME49860NABD](#) [CDB47L90-M-1](#) [STEVAL-](#)
[CCA053V1](#) [TPA2038D1YFFEVM](#) [STEVAL-CCA049V1](#) [EVAL-AD1974AZ](#) [EVAL-SSM2518Z](#) [MAX9892EVKIT+](#) [MAX9724AEVKIT+](#)
[MAX4411EVKIT](#) [STEVAL-MKI139V1](#) [MAX98502EVKIT#](#) [MAX98089EVKIT#WLP](#) [MAX98300EVKIT+WLP](#) [MAX9867EVKIT+](#)
[MAX9738EVKIT+](#) [MAX98358EVSYS#WLP](#) [MAX9723DEVKIT+](#) [EVAL-ADAV803EBZ](#)