

THIS DRAWING IS UNPUBLISHED.

RELEASED FOR PUBLICATION

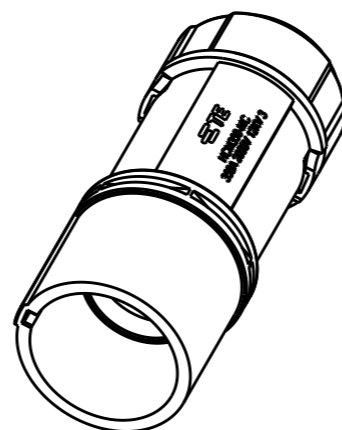
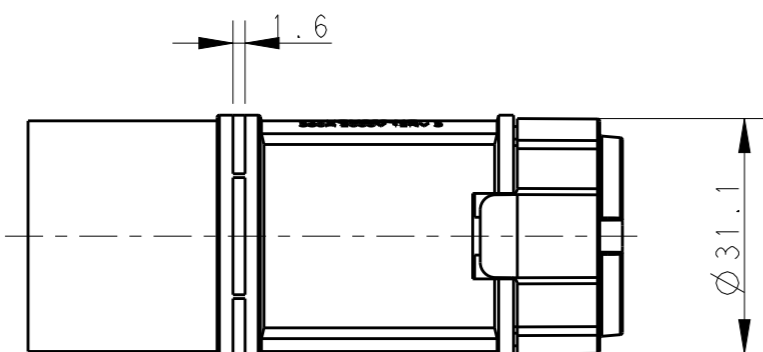
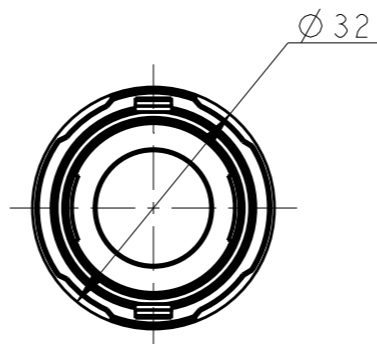
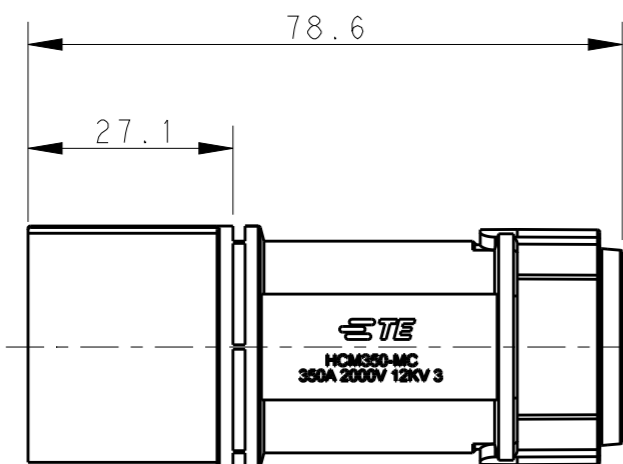
20

© COPYRIGHT 20 BY -

ALL RIGHTS RESERVED.

REVISIONS

P	LTR	DESCRIPTION	DATE	DWN	APVD
	A	INITIAL	14NOV2016	BS	CW
	B	ECR-18-003111	23MAY2018	BS	CW



NOTES:

- TECHNICAL CHARACTERISTICS:  
 INSULATION MATERIAL: PA  
 RATED VOLTAGE: 2000V  
 RATED CURRENT: 350A  
 RATED IMPULSE VOLTAGE: 12KV  
 POLLUTION DEGREE: 3  
 FLAMMABILITY: UL94V-0  
 WIRE RANGE: 35-120 mm<sup>2</sup>  
 CONTACT TYPE: CRIMP CONTACT
- CONTACT NEED TO BE ORDERED SEPARATELY.  
 (ORDER No. REFER TO DRAWING:T2193501XXX000)

注释:

- 技术参数:  
 绝缘材料: PA  
 额定电压: 2000V  
 额定电流: 350A  
 额定脉冲电压: 12KV  
 污染等级: 3  
 阻燃等级: UL94V-0  
 接线范围: 35-120 mm<sup>2</sup>  
 接线类型: 冷压接
- 端子需要单独订购.  
 (订货号参考图面: T2193501XXX000)

T2193503101-000	HCM350-MC	HCM350 MALE INSERT, CRIMP HCM350公插、冷压型
PART NUMBER 零件料号	PART DESCRIPTION 零件描述	

THIS DRAWING IS A CONTROLLED DOCUMENT.

DIMENSIONS: mm	TOLERANCES UNLESS OTHERWISE SPECIFIED:
	0 PLC ±-
	1 PLC ±-
	2 PLC ±-
	3 PLC ±-
	4 PLC ±-
	ANGLES ±-
MATERIAL	FINISH
-	-
-	-

DWN	BELL SU	14NOV2016
CHK	KYLE ZENG	14NOV2016
APVD	CHRIS WANG	14NOV2016
PRODUCT SPEC	108-137073	
APPLICATION SPEC	114-137073	
WEIGHT	-	
CUSTOMER DRAWING		

TE Connectivity				NAME		HCM350-MC	
				SIZE	CAGE CODE	DRAWING NO	RESTRICTED TO
A3	-	©-T2193503101000	-	SCALE		1:1	
SHEET				1	OF	1	REV
						B	

## X-ON Electronics

Largest Supplier of Electrical and Electronic Components

*Click to view similar products for [Heavy Duty Power Connectors](#) category:*

*Click to view products by [TE Connectivity](#) manufacturer:*

Other Similar products are found below :

[1424439](#) [1424438](#) [09330062652](#) [2-8675P1](#) [605601-1](#) [6340G1](#) [6341G1](#) [6360G1](#) [6373G1](#) [6374g2](#) [6396G1](#) [647757-1](#) [66394-4](#) [6643411-1](#)  
[6646058-2](#) [6646137-1](#) [6646138-1](#) [6646348-1](#) [6646479-1](#) [6646608-1](#) [6646786-1](#) [6646940-1](#) [6651091-1](#) [6651525-1](#) [6651529-1](#) [6651778-1](#)  
[6651788-1](#) [696465-1](#) [696475-1](#) [73000005059](#) [73000005349](#) [73000005642](#) [73080255059](#) [73080965046](#) [765-15-0080A](#) [765-16-0080B](#)  
[789.700-44](#) [789.700-54](#) [80-1010](#) [80-9](#) [827381-1](#) [829992-1](#) [902-77-02113](#) [PL00U-301-10D10](#) [PM103MOOLOO](#) [PM16S1620S32-50](#)  
[PM212MOOLOO](#) [PM309FOOLOO](#) [PM324FOOLCH](#) [PMHPAF11S03](#)