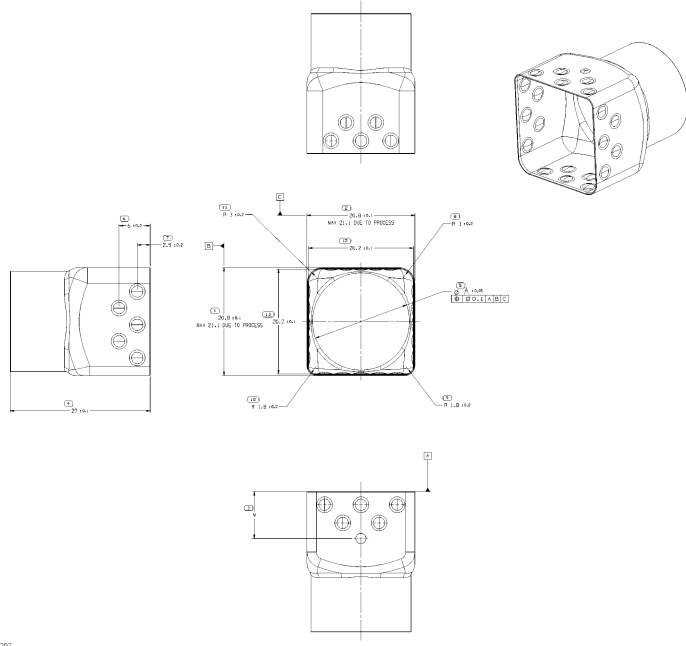


SCHEDULE OF FINISHES	NO. OF SHEETS	SECTION	DATE	BY	CHKD
A - DIMENSIONAL FINISHES TO BE INSPECTED FOR PERIOD DURING FULL USE OF PRODUCE. DIMENSIONS TO BE CONTROLLED ON THE INDIVIDUAL COMPONENT DRAWING.	TOTAL NO. OF DIMENSIONS REQUIRED	NO. DIMENSIONS REQUIRED	DATE	BY	CHKD
	13	13			



- NOTES
- UNLESS OTHERWISE SPECIFIED AND/OR INDICATED DIMENSIONS ARE TO FACE OF VIEW SHOWN AND MATERIAL CALL OUTS ARE TO COMPLY WITH THE PROVISIONS OF THE WELDING CODES FOR ALL DIMENSIONS UNLESS OTHERWISE SPECIFIED. DIMENSIONS SHALL BE WITH TOLERANCE FOR PRECISION TOOLING UNLESS OTHERWISE SPECIFIED.
 - PART MUST BE MADE OF BURR-SHARP EDGE, CHAMFER OR OF OTHER CONTOURINGS.
 - ALL DIMENSIONS ARE AFTER PLATING.
 - PLATING:
 - MINIMUM 0.0005 IN. OF COPPER NICKEL PLATING TO BE USED.
 - THIS PART IS TO BE PLATED IN ACCORDANCE WITH THE WELDING CODES FOR ALL DIMENSIONS UNLESS OTHERWISE SPECIFIED.
 - PART MUST BE MADE OF BURR-SHARP EDGE, CHAMFER OR OF OTHER CONTOURINGS.
 - THIS PART IS TO BE PLATED IN ACCORDANCE WITH THE WELDING CODES FOR ALL DIMENSIONS UNLESS OTHERWISE SPECIFIED.
 - THIS PART IS TO BE PLATED IN ACCORDANCE WITH THE WELDING CODES FOR ALL DIMENSIONS UNLESS OTHERWISE SPECIFIED.
 - PART MUST BE WATERPROOF PACKING.
 - FACE OF MATERIAL PERMITTED WITH 245.

PART NO.	REV./UP	DESCRIPTION	MATERIAL	VOLUME	MATING INNER FERRULE	CABLE CO.
35120227	01	COPPER FERRULE 20 AMP	COPPER ALLOY 0.050	25.12504	13-1	13-1
35120228	01	COPPER FERRULE 20 AMP	COPPER ALLOY 0.051	25.12505	13-2	13-2
35120229	01	COPPER FERRULE 20 AMP	COPPER ALLOY 0.049	25.12506	13-3	13-3

DELPHI
A DIVISION OF GENERAL MOTORS CORPORATION

1000 WESTLICK AVENUE
WARREN, MI 48090-1646

TELEPHONE (313) 762-2000
TELEX 9800 1000 WEL

MAIL ROOM (313) 762-2000
FAX (313) 762-2000

DELPHI ENGINEERING CENTER
300 WESTLICK AVENUE
WARREN, MI 48090-1646

DELPHI ENGINEERING CENTER
300 WESTLICK AVENUE
WARREN, MI 48090-1646

DELPHI ENGINEERING CENTER
300 WESTLICK AVENUE
WARREN, MI 48090-1646

DATE: 08/01/83
TIME: 10:00 AM
BY: [Signature]
CHKD: [Signature]

33355943

X-ON Electronics

Largest Supplier of Electrical and Electronic Components

Click to view similar products for [Automotive Connectors](#) category:

Click to view products by [Delphi](#) manufacturer:

Other Similar products are found below :

[003-018-000](#) [600858](#) [60403001](#) [60993906-B](#) [60993913-B](#) [629515004020001](#) [M902-2131](#) [M902-2161](#) [M902-2344](#) [72.330.1035.1](#)
[73.353.4028.0](#) [F118010](#) [F119300-B](#) [F132210](#) [F132210-B](#) [F166900](#) [F180100](#) [F258300](#) [F258300-B](#) [F294300-B](#) [F339100](#) [F339700](#) [F358300-](#)
[B](#) [F374110](#) [F407400](#) [F412210](#) [F427600](#) [F444110](#) [F487000](#) [F495100-B](#) [F500900-B](#) [F509500B-B](#) [770444-1](#) [776880-1](#) [827153-1](#) [881735-1](#)
[8N1515-32-24P](#) [9-1326727-8](#) [9-1326729-8](#) [925467-1](#) [925474-1](#) [928905-1](#) [936398-2](#) [964562-1](#) [964562-4](#) [964731-2](#) [965051-1](#) [968782-1](#)
[GT17SA-8DS-HU](#) [GT17VS-10DP-5.2CF](#)