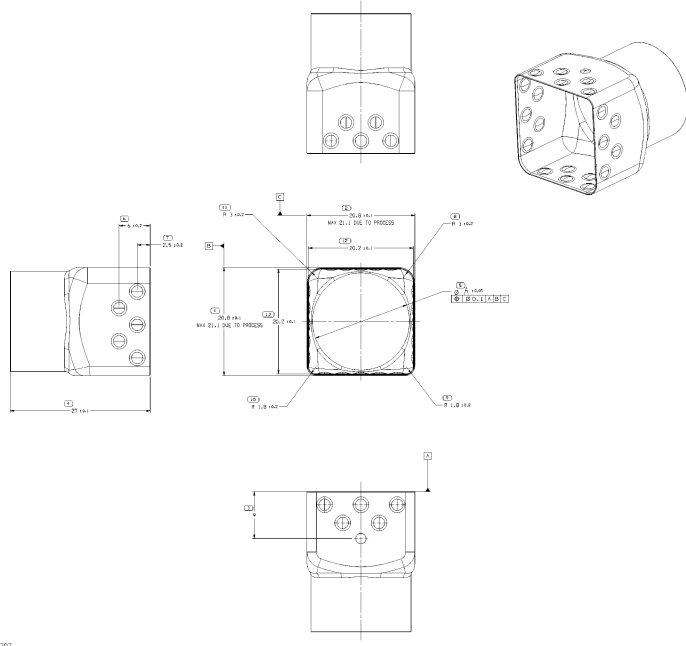


SCHEDULE OF FINISHES	NO. OF SHEETS	SECTION	DATE	BY	CHK	APPROVED	DATE
A - DIMENSIONAL FINISHES TO BE INSPECTED FOR PERIOD DURING FULL USE OF PRODUCE. IMPERFECTS TO BE CONTROLLED ON THE INDIVIDUAL COMPONENT DRAWING.	TOTAL NO. OF DIMENSIONAL FINISHES REQUIRED	NO. WITH NO DIMOS REQUIRED					
	13	13					



- NOTES
- UNLESS OTHERWISE SPECIFIED AND/OR INDICATED DIMENSIONS ARE TO FACE OF VIEW SHOWN AND IMPERFECTS SHALL BE CORRECTED FOR PRODUCTION (SEE WITH WORK FOR PROPER DIMENSIONS). FOR ALL DIMOS, DIMENSIONS ARE FROM THE CENTER OF THE DIMOS. DIMOS SHALL BE WITH TOLERANCE FOR PROTECTIVE TOOL WITH DIMOS.
  - PART MUST BE MADE OF BURR-SHARP EDGE, CHAMFER OR OF OTHER CONTOURINGS.
  - ALL DIMENSIONS ARE AFTER PLATING.
  - PALMHEIM
  - MINIMUM TOLERANCE OF PARTS IS ±0.005 INCH.
  - THIS PART IS TO BE USED IN THE PALMHEIM SYSTEM.
  - PART MUST BE AN APPROVED DESIGN AS AN APPROVED ITEM.
  - ALL DIMENSIONS ARE TO FACE UNLESS OTHERWISE NOTED.
  - THIS PART IS TO BE USED IN THE PALMHEIM SYSTEM.
  - PART MUST BE WATERPROOF PACKING.
  - PART MUST BE WATERPROOF PACKING.

TYPE 101

PART NO	REV/UP	DESCRIPTION	MATERIAL	VOLUME	MATING INNER FERRULE	CABLE CO
3512022	01	COPPER FERRULE 20 MM COPPER ALLOY 0.508	3512022	13.1	13.1	
3512023	01	COPPER FERRULE 20 MM COPPER ALLOY 0.511	3512023	13.3	13.3	
3512024	01	COPPER FERRULE 20 MM COPPER ALLOY 0.518	3512024	13.7	13.7	

**DELPHI**  
A DIVISION OF GENERAL MOTORS CORPORATION

1000 WESTLICK AVENUE  
TROY, MI 48060-8000

TELEPHONE (313) 487-2000  
FACSIMILE (313) 487-2000

DELPHI ENGINEERING CENTER  
300 WESTLICK AVENUE  
TROY, MI 48060-8000

DELPHI ENGINEERING CENTER  
300 WESTLICK AVENUE  
TROY, MI 48060-8000

DATE: 08/01/83

BY: [Signature]

CHKD: [Signature]

APP'D: [Signature]

REV: 0

REV: 1

REV: 2

REV: 3

REV: 4

REV: 5

REV: 6

REV: 7

REV: 8

REV: 9

REV: 10

REV: 11

REV: 12

REV: 13

REV: 14

REV: 15

REV: 16

REV: 17

REV: 18

REV: 19

REV: 20

REV: 21

REV: 22

REV: 23

REV: 24

REV: 25

REV: 26

REV: 27

REV: 28

REV: 29

REV: 30

REV: 31

REV: 32

REV: 33

REV: 34

REV: 35

REV: 36

REV: 37

REV: 38

REV: 39

REV: 40

REV: 41

REV: 42

REV: 43

REV: 44

REV: 45

REV: 46

REV: 47

REV: 48

REV: 49

REV: 50

REV: 51

REV: 52

REV: 53

REV: 54

REV: 55

REV: 56

REV: 57

REV: 58

REV: 59

REV: 60

REV: 61

REV: 62

REV: 63

REV: 64

REV: 65

REV: 66

REV: 67

REV: 68

REV: 69

REV: 70

REV: 71

REV: 72

REV: 73

REV: 74

REV: 75

REV: 76

REV: 77

REV: 78

REV: 79

REV: 80

REV: 81

REV: 82

REV: 83

REV: 84

REV: 85

REV: 86

REV: 87

REV: 88

REV: 89

REV: 90

REV: 91

REV: 92

REV: 93

REV: 94

REV: 95

REV: 96

REV: 97

REV: 98

REV: 99

REV: 100

## X-ON Electronics

Largest Supplier of Electrical and Electronic Components

*Click to view similar products for [Automotive Connectors](#) category:*

*Click to view products by [Delphi](#) manufacturer:*

Other Similar products are found below :

[003-018-000](#) [600858](#) [60403001](#) [60993906-B](#) [60993913-B](#) [629515004020001](#) [M902-2131](#) [M902-2161](#) [M902-2344](#) [72.330.1035.1](#)  
[73.353.4028.0](#) [F118010](#) [F119300-B](#) [F132210](#) [F132210-B](#) [F166900](#) [F180100](#) [F258300](#) [F258300-B](#) [F294300-B](#) [F339100](#) [F339700](#) [F358300-](#)  
[B](#) [F374110](#) [F407400](#) [F412210](#) [F427600](#) [F444110](#) [F487000](#) [F495100-B](#) [F500900-B](#) [F509500B-B](#) [770444-1](#) [776880-1](#) [827153-1](#) [881735-1](#)  
[8N1515-32-24P](#) [9-1326727-8](#) [9-1326729-8](#) [925467-1](#) [925474-1](#) [928905-1](#) [936398-2](#) [964562-1](#) [964562-4](#) [964731-2](#) [965051-1](#) [968782-1](#)  
[GT17SA-8DS-HU](#) [GT17VS-10DP-5.2CF](#)