
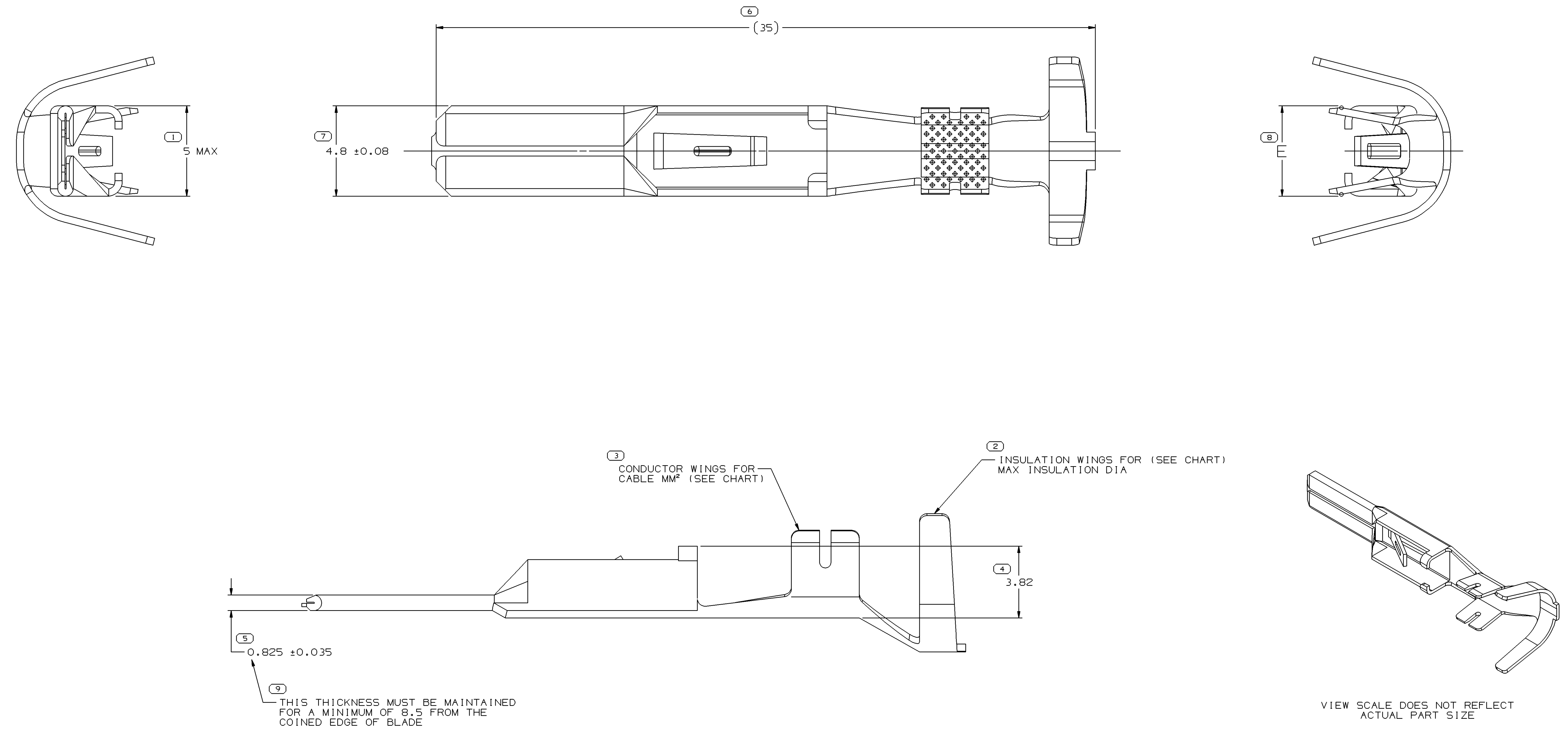


| SYMBOL DEFINITION | | MISSING NUMBERS | |
|---|---------------------------------|-----------------|--|
| A DIMENSION WITHOUT AN INSPECTION REPORT SYMBOL  DOES NOT REQUIRE INSPECTION. IT MAY BE CONTROLLED ON AN INDIVIDUAL COMPONENT DRAWING. | TOTAL NO. OF SYMBOLS ON DRAWING | 9 | |
| | LAST NO. USED | 9 | |

| DWO STATUS | | | | REVISION HISTORY | | | | AUTH | DR | APVD | APVD |
|------------|-----|-----|-----|------------------|------|------------------------------------|--------|------|-----|------|------|
| DATE | STG | REV | N/P | CHG | ZONE | | | | | | |
| 23JAO2 | R | 02 | - | - | | ALL PARTS - UPDATED PDM ATTRIBUTES | 219908 | JYD | EAR | JH | |
| 29JUL02 | R | 03 | - | - | | ALL PARTS - UPDATED PDM ATTRIBUTES | 228503 | EAR | EAR | JH | M |
| 04MY04 | R | 04 | - | - | | ALL PARTS - ADDED NOTE #3 | 254242 | JBD | JAA | BDG | |



- NOTES
- UNLESS OTHERWISE SPECIFIED AND/OR INDICATED: DIMENSIONS ARE TO FACE OF VIEW SHOWN AND AUTOMATICALLY ROUNDED BY COMPUTER FOR INSPECTION (SEE MATH MODEL FOR PRECISE DIMENSIONS). FOR ALL OTHER DIMENSIONS NOT SHOWN BUT REQUIRED FOR TOOL BUILD, SEE MATH MODEL FOR PRECISE TOOL PATH DATA.
 - MATING TERMINAL 12052139 OR EQUIVALENT.
 - CUT OFF TAB DIMENSION FROM TIP OF TERMINAL TO BE 0.25mm MAX. WITH NO BURR PERMISSIBLE.

| DWO TYPE | | PART DRAWING | |
|--|--|------------------------|------|
| STYLE | | DISTR CODE | D |
| VOLUME (CM³) | | ROUTING | 6900 |
| UNLESS OTHERWISE SPECIFIED | | | |
| THIS DOCUMENT IS IN ACCORDANCE WITH ASME Y14.5M-1994 AS AMENDED BY THE 2003 DIMENSIONING AND TOLERANCING ADDENDUM - 1997. ALL GEOMETRIC TOLERANCES AND RELATED DATUM APPLY TO ALL DIMENSIONS UNLESS OTHERWISE SPECIFIED. | | | |
| MDCI DOES NOT APPLY WHEN RELATIONSHIP BETWEEN FEATURES IS ESTABLISHED BY ORIENTATION OR LOCATION TOLERANCES. SEPARATE POSITION CALLOUTS MAY BE GAGED SEPARATELY. REGARDLESS OF DATUM REFERENCE. | | | |
| ALL DIMENSIONS ARE IN MILLIMETERS | | | |
| REFERENCE | | THIRD ANGLE PROJECTION | |
| DO NOT SCALE | | USE MATH DATA | |
| ANGULAR TOLERANCE 12° | | | |

DELPHI
DELPHI PACKARD ELECTRIC SYSTEMS
WARREN, OH

| DR | DATE |
|----------------------|--------|
| APVD1 JOSE HERNANDEZ | 03FE99 |
| APVD2 JOSE HUERTA | 19FE99 |
| APVD3 JOSE HUERTA | 19FE99 |
| APVD4 | |
| APVD5 | |

MATERIAL: SUBSTANCES OF CONCERN AND RECYCLED CONTENT PER DELPHI 10949001

SEE CHART

DRAWING NAME: TAXI TERM M/P 480

DRAWING NUMBER: 12052171

SIZE: AO SCALE: 10:1 FRAME NO: 1 OF 1 SHEET NO: 1 OF 1 STG REV: N/P

| PART NO | STG | REV | N/P | STATUS | MAT'L SIZE | MAT'L SPEC | PART NO | STG | REV | N/P | STATUS | MAT'L SPEC | SIZE (MM²) | CABLE | ID | DIA | E _{10.4} |
|---------|-----|-----|-----|----------|---------------|------------|----------|-----|-----|-----|--------|------------|------------|-------|-----------|-----|-------------------|
| | | | | UNPLATED | 0.381 X 44.45 | | 12065197 | R | D4 | | | P-3607-413 | 3 | 12 | 4.9/3.57 | 4.6 | |
| | | | | | 0.381 X 44.45 | | 12065196 | R | D4 | | | P-3607-413 | 2 - 1 | 15 | 3.58/2.56 | 3.7 | |
| | | | | | 0.381 X 44.45 | | 12052172 | R | G4 | | | P-3607-413 | 5 | 10 | 5.24/3.49 | 4.6 | |

X-ON Electronics

Largest Supplier of Electrical and Electronic Components

Click to view similar products for [Automotive Connectors](#) category:

Click to view products by [Delphi](#) manufacturer:

Other Similar products are found below :

[003-018-000](#) [600858](#) [60403001](#) [60993906-B](#) [60993913-B](#) [629515004020001](#) [M902-2131](#) [M902-2161](#) [M902-2344](#) [72.330.1035.1](#)
[73.353.4028.0](#) [F118010](#) [F119300-B](#) [F132210](#) [F132210-B](#) [F166900](#) [F180100](#) [F258300](#) [F258300-B](#) [F294300-B](#) [F339100](#) [F339700](#) [F358300-](#)
[B](#) [F374110](#) [F407400](#) [F412210](#) [F427600](#) [F444110](#) [F487000](#) [F495100-B](#) [F500900-B](#) [F509500B-B](#) [770444-1](#) [776880-1](#) [827153-1](#) [881735-1](#)
[8N1515-32-24P](#) [9-1326729-8](#) [925467-1](#) [925474-1](#) [928905-1](#) [936398-2](#) [964562-1](#) [964562-4](#) [964731-2](#) [965051-1](#) [968782-1](#) [GT17SA-8DS-](#)
[HU](#) [GT17VS-10DP-5.2CF](#) [98315-0001](#)