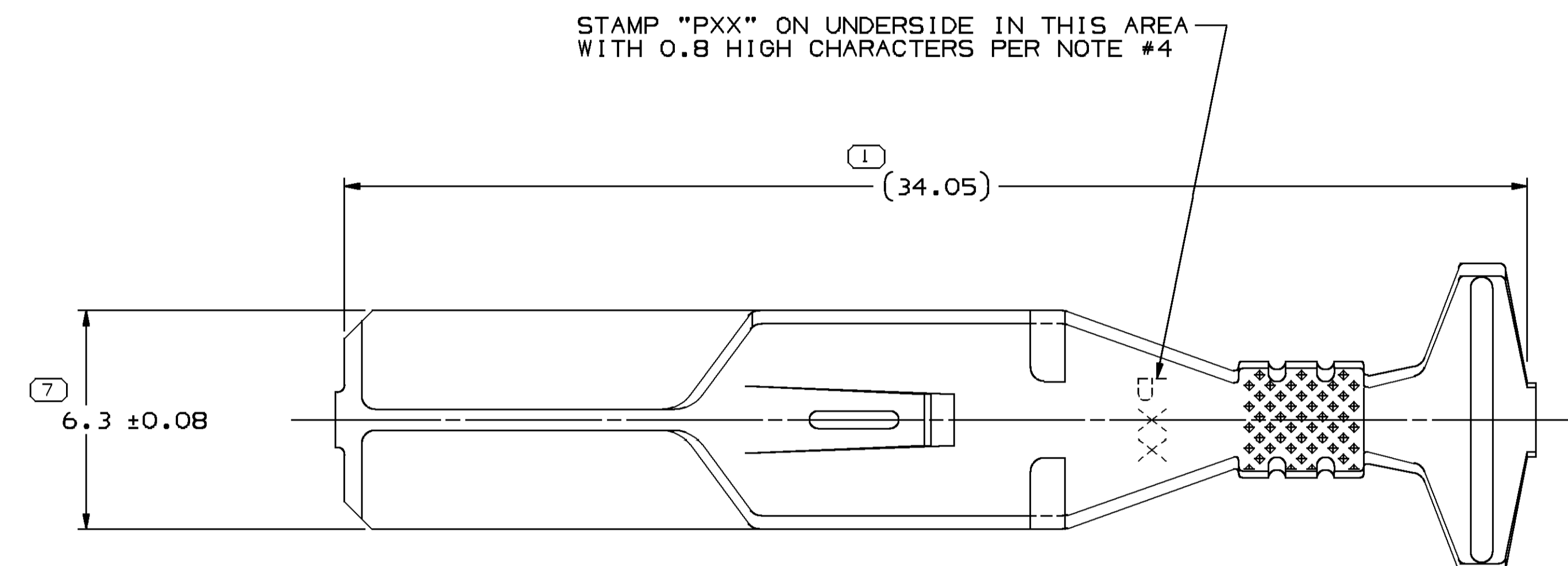
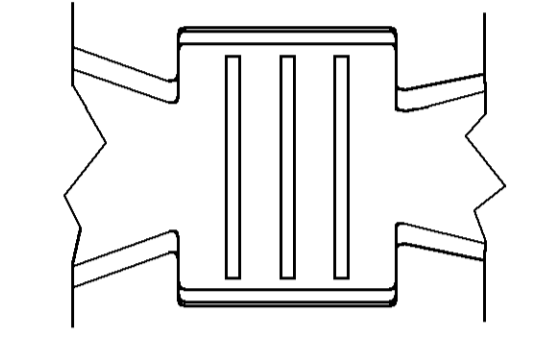


SYMBOL DEFINITION		TOTAL NO OF INSPECTIONS REQUIRED	MISSING SYMBOLS
A DIMENSION WITHOUT AN INSPECTION REPORT SYMBOL () DOES NOT REQUIRE INSPECTION. IT MAY BE CONTROLLED ON THE INDIVIDUAL COMPONENT DRAWING.		7	NO MISSING SYMBOL NUMBER
		LAST NO. USED	7

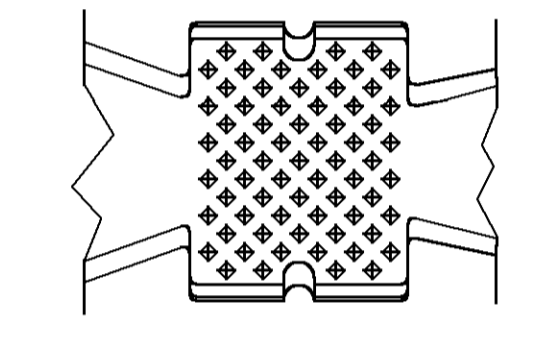
DWG STATUS		REVISION HISTORY		AUTH	DR	APVD	APVD
DATE	STG	REV	REV	ZONE			
04MY04	R	04	-	-	254242	JBD	JAA BDO
060C04	R	05	-	-	15317723 - CHANGED MATERIAL CODE TO M3626413 WAS M3626425; UPDATED FORMAT	259791	MLM/BRB BDO
15MR05	R	06	-	-	ALL PARTS - PXX WAS PED, ADDED NOTE #4	264924	TAI/TAI BDO
07JL11	R	07	-	-	ALL PARTS - UPDATED PDM ATTRIBUTES AND UPDATED MATERIAL CALLOUT	414785	JCF/JVM/GEM
19FE15	R	08	-	-	15317723 - ADDED TARNISH INFO NOTE	428877	ABH/JVM/JSM



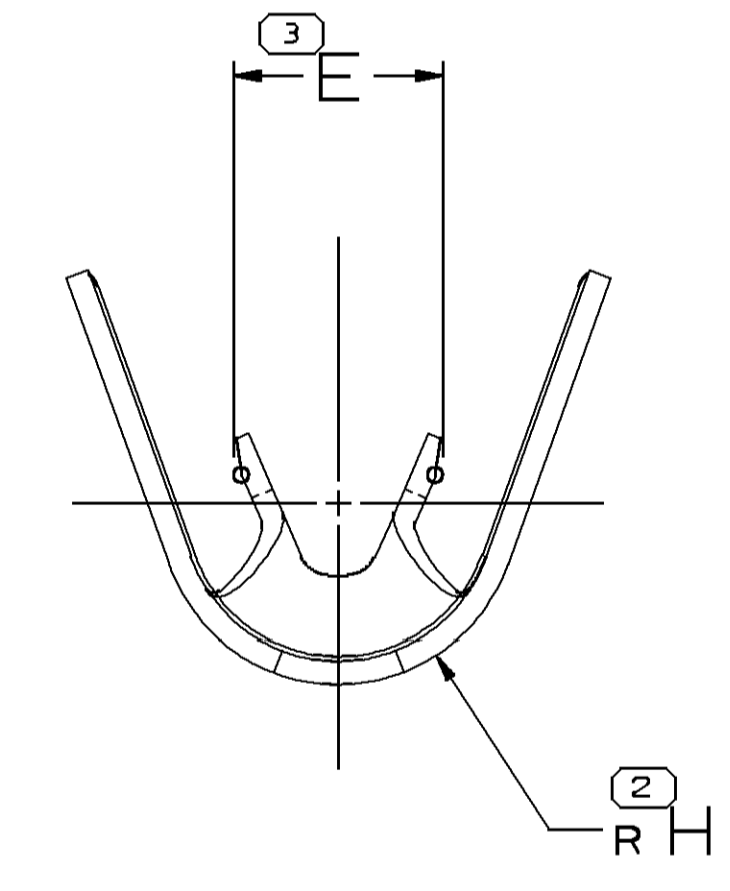
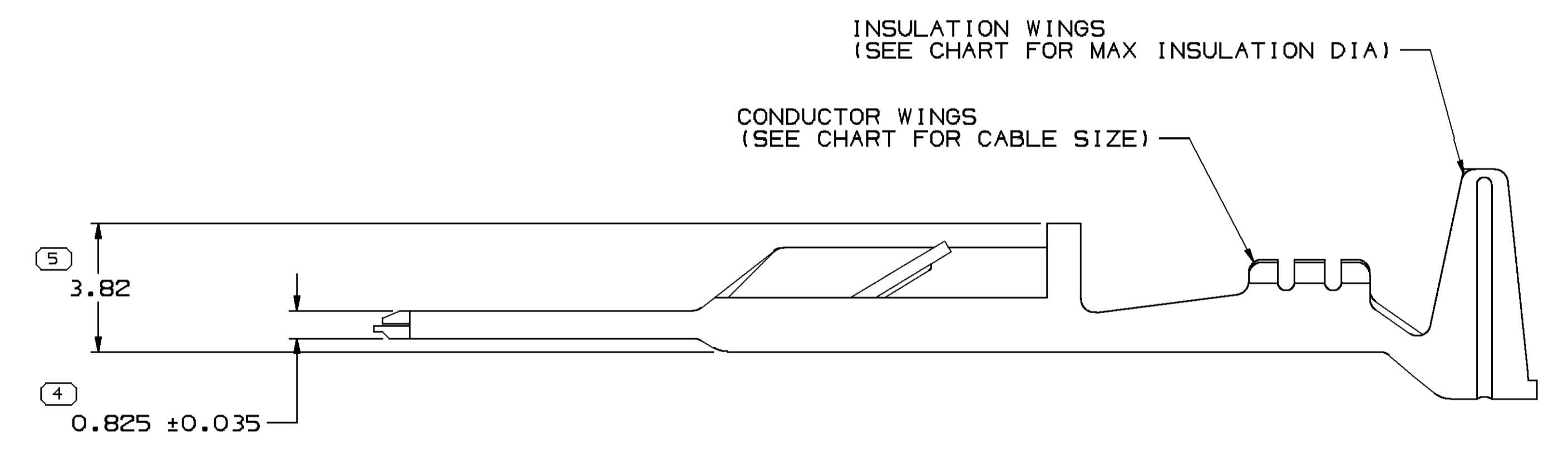
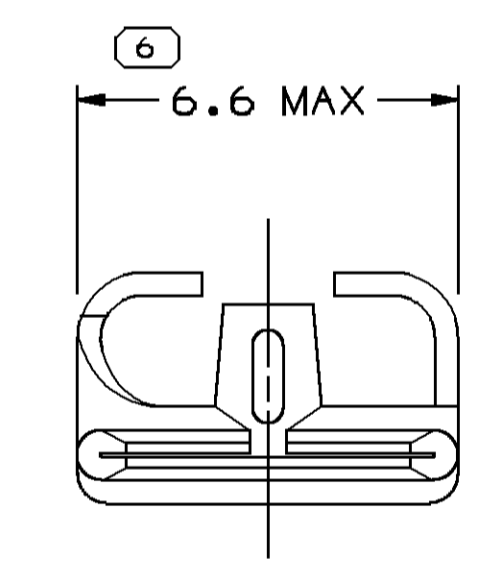
TYPE 101



TYPE 103
SAME AS TYPE 102
EXCEPT AS SHOWN



TYPE 102
SAME AS TYPE 101
EXCEPT AS SHOWN



NOTES

- UNLESS OTHERWISE SPECIFIED AND/OR INDICATED:
DIMENSIONS ARE TO FACE OF VIEW SHOWN AND AUTOMATICALLY ROUNDED BY COMPUTER FOR INSPECTION (SEE MATH MODEL FOR PRECISE DIMENSIONS). FOR ALL OTHER DIMENSIONS NOT SHOWN BUT REQUIRED FOR TOOL BUILD, SEE MATH MODEL FOR PRECISE TOOL PATH DATA.
- MATING TERMINAL 12015832 OR EQUIVALENT.
- CUT OFF TAB DIMENSION FROM TIP OF TERMINAL TO BE 0.25mm MAX WITH NO BURR PERMISSIBLE.
- "PXX" INDICATES "P" PLUS LAST TWO DIGITS OF MAKE DIE SERIES NUMBER (P01, P02, P03, ETC).
- FOR TERMINALS PACKAGED & STORED IN THE APPROVED MANNER, TARNISH ON SILVER PLATED SURFACES WILL NOT AFFECT THE PERFORMANCE OF THE PART.

PART NO	REV	MAT'L SIZE	MAT'L SPEC	PART NO	REV	MAT'L SPEC	SIZE (MM ²)	I.D. CABLE	DIA	TYPE	E	H
		0.381 X 44.45	15317723	B5		AG PLATED COPPER ALLOY	6-4	10	5.24-3.55	103	5.6	3
		0.381 X 44.45	15317330	B3		TIN PLATED COPPER ALLOY	6-4	10	5.24-3.55	103	5.6	3
		0.381 X 44.45	12064737	D3		TIN PLATED COPPER ALLOY	3	12	4.9-3.97	102	4.6	2.8
		0.381 X 44.45	12064736	E3		TIN PLATED COPPER ALLOY	5	10	5.24-4.4	102	4.6	3
		0.381 X 44.45	12064735	C3		TIN PLATED COPPER ALLOY	2-1	15	3.59-2.56	102	3.7	2.8
		0.381 X 44.45	12064734	C3		TIN PLATED COPPER ALLOY	0.8-0.5	19	2.68-2.11	101	3.2	2.8
		UNPLATED				PLATED					±0.4	±0.3

DELPHI
DELPHI PACKARD ELECTRICAL/ELECTRONIC ARCHITECTURE
WARREN, OH
COPYRIGHT 1987 DELPHI CORPORATION AND/OR ITS AFFILIATES. ALL RIGHTS RESERVED.
THIS DRAWING IS THE PROPERTY OF DELPHI CORPORATION AND CONTAINS DELPHI CONFIDENTIAL INFORMATION. THE REPRODUCTION, DISTRIBUTION AND UTILIZATION OF THIS DOCUMENT OR ITS CONTENTS WITHOUT DELPHI'S EXPRESS AUTHORIZATION IS PROHIBITED.

DWG TYPE: PART DRAWING

UNLESS OTHERWISE SPECIFIED
THIS DOCUMENT IS IN ACCORDANCE WITH ASME Y14.5M-1994 AS INDICATED BY THE DIMENSIONAL SYMBOLS AND TOLERANCING ADDENDUM-2001. SEPARATE PATTERNS OF FEATURES MAY BE SHOWN SEPARATELY REGARDLESS OF DIMENSIONAL TOLERANCES.

ALL DIMENSIONS ARE IN MILLIMETERS

THIRD ANGLE PROJECTION

DO NOT SCALE

USE MATH DATA

UNLESS OTHERWISE SPECIFIED

ANGULAR TOLERANCE ±0.2°

PROCESS SENSITIVE DIMENSION

DIMENSIONS ENCLOSED IN () INDICATE REFERENCE DIMENSIONS AND NO TOLERANCE LIMITS ARE ESTABLISHED

DIMENSIONAL RANGE (MM) CHART CD

FROM 0 TO 12

TOLERANCE UNLESS OTHERWISE SPECIFIED

±0.1 ±0.2

ANGULAR TOLERANCE ±0.2°

DATE: 14JL87

BY: ANDY T. LEE

CHKD: F. HESTON

APP'D: R.M. BARTLEY

DRAWING NUMBER: 12065869

SHEET NO: 1 OF 1

REV: R 08

X-ON Electronics

Largest Supplier of Electrical and Electronic Components

Click to view similar products for [Automotive Connectors](#) category:

Click to view products by [Delphi](#) manufacturer:

Other Similar products are found below :

[003-018-000](#) [600858](#) [60403001](#) [60993906-B](#) [60993913-B](#) [629515004020001](#) [M902-2131](#) [M902-2161](#) [M902-2344](#) [72.330.1035.1](#)
[73.353.4028.0](#) [F118010](#) [F119300-B](#) [F132210](#) [F132210-B](#) [F166900](#) [F180100](#) [F258300](#) [F258300-B](#) [F294300-B](#) [F339100](#) [F339700](#) [F358300-](#)
[B](#) [F374110](#) [F407400](#) [F412210](#) [F427600](#) [F444110](#) [F487000](#) [F495100-B](#) [F500900-B](#) [F509500B-B](#) [770444-1](#) [776880-1](#) [827153-1](#) [881735-1](#)
[8N1515-32-24P](#) [9-1326729-8](#) [925467-1](#) [925474-1](#) [928905-1](#) [936398-2](#) [964562-1](#) [964562-4](#) [964731-2](#) [965051-1](#) [968782-1](#) [GT17SA-8DS-](#)
[HU](#) [GT17VS-10DP-5.2CF](#) [98315-0001](#)