

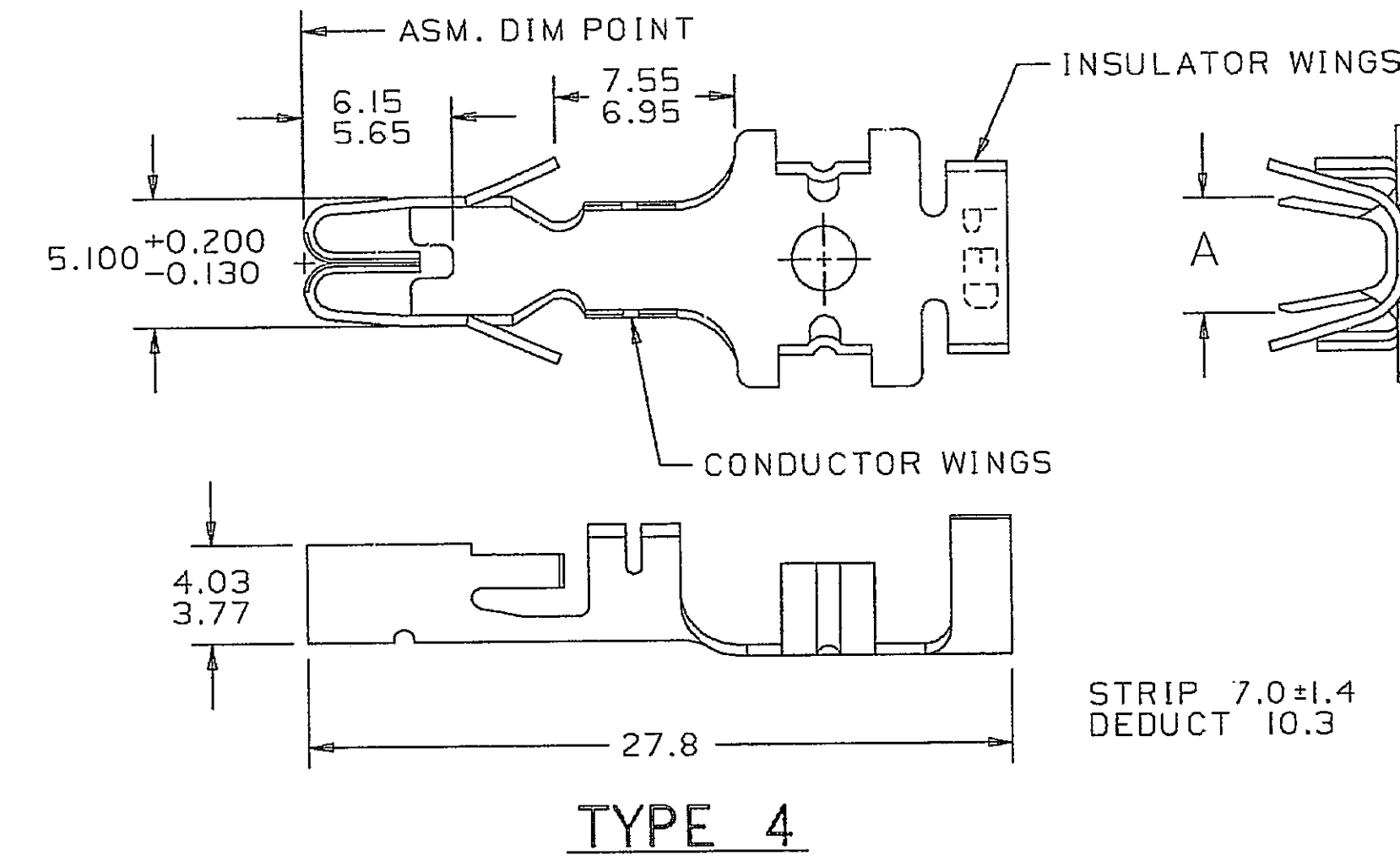
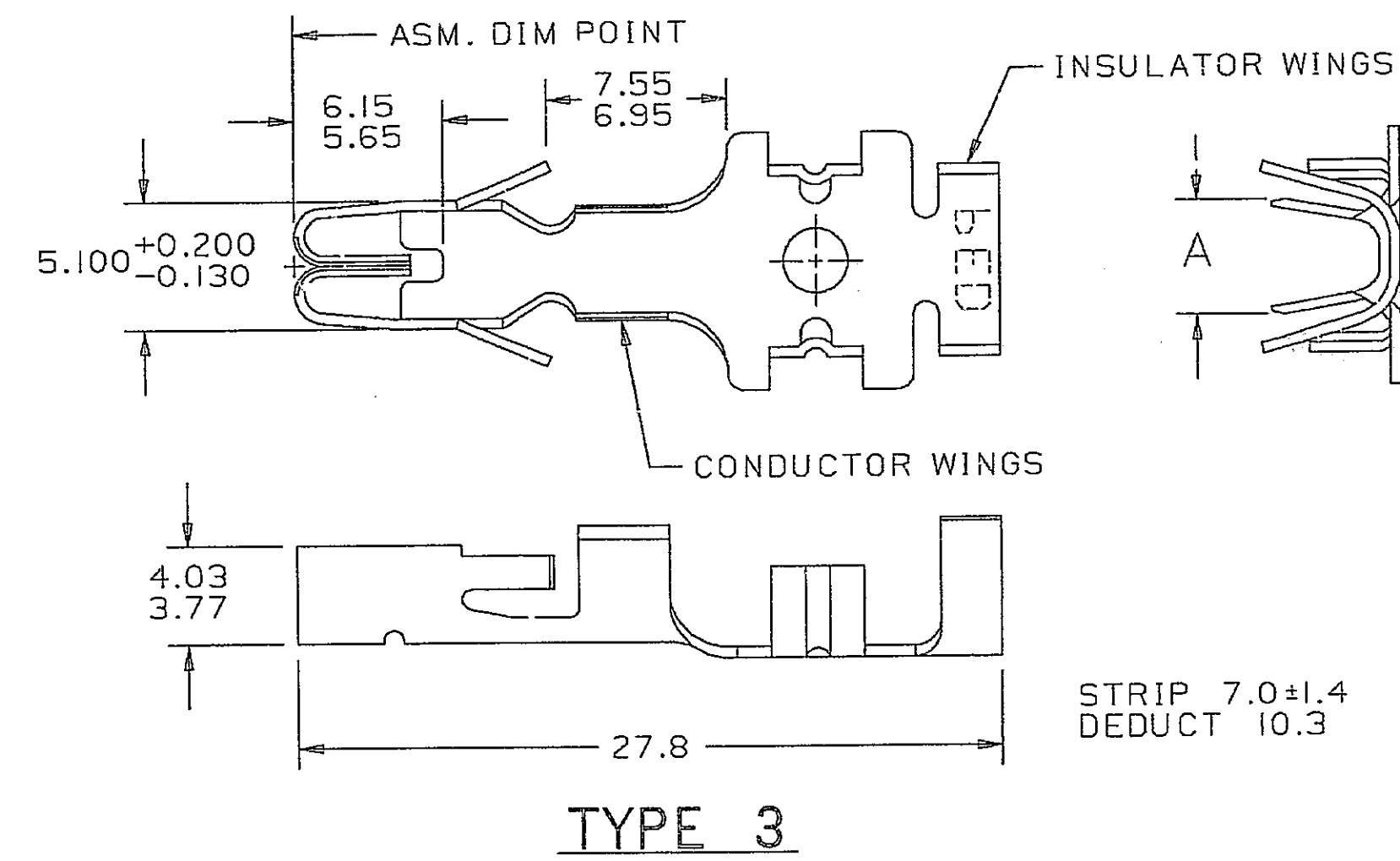
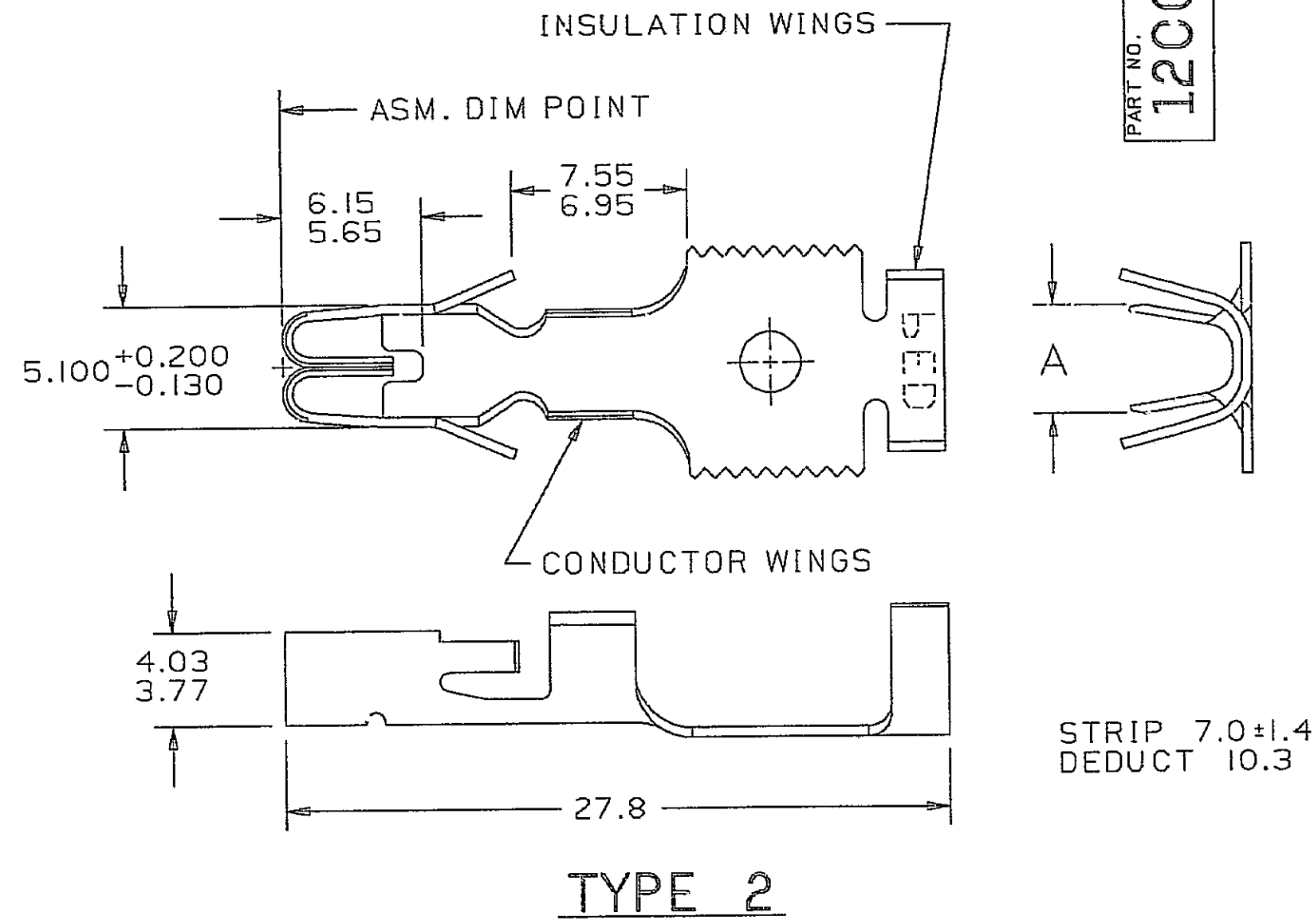
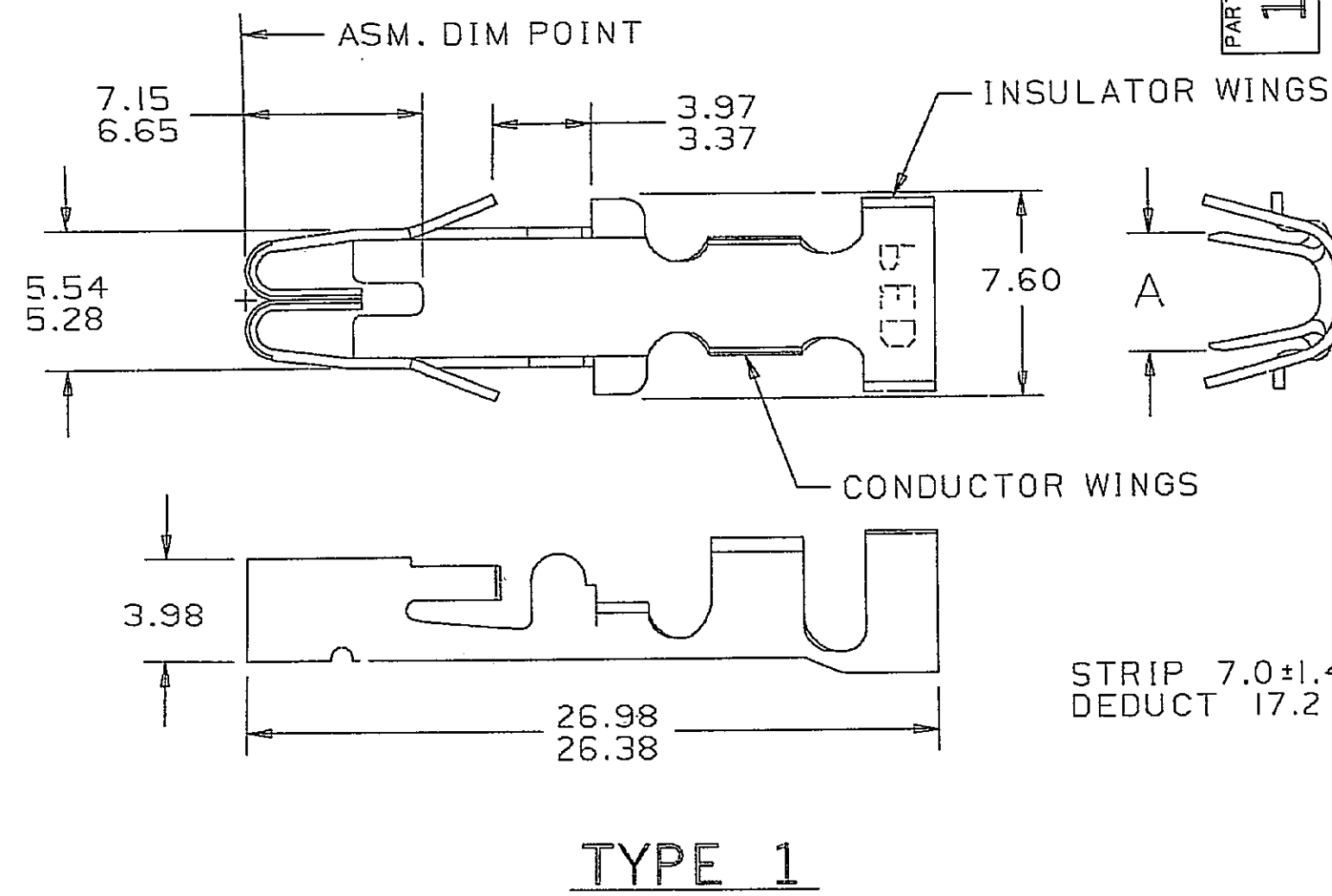
D

THIS DRAWING AND DESIGN HEREON CONSTITUTE A PROPRIETARY DESIGN OF PACKARD ELECTRIC DIVISION AND IS NOT TO BE DUPLICATED OR REPRODUCED WITHOUT AUTHORITY OF PACKARD ELECTRIC DIVISION.

DO NOT SCALE

PART NO. 1200 4552

PART NO. 1200 4552



PACKARD ELECTRIC DIVISION
GENERAL MOTORS CORPORATION
WARREN, OHIO

| PART NO. | REV. | STATUS | MATERIAL | PART NO. | REV. | STATUS | TYPE | SIZE (MM ²) | DIA. | I.D. | A |
|----------|------|----------|-----------------------------|----------|------|----------|------|-------------------------|------|------|------|
| 12089823 | B1 | | 0.406 THK SAE CA 260 BRASS | 12010636 | A | F1 | 1 | 2.0-1.0 | 3.95 | 15 | 4.4 |
| | | | 0.406 THK SAE CA 260 COPPER | 12078138 | B1 | | 4 | 2.0-1.0 | 3.95 | 15 | 3.3 |
| | | | 0.406 THK SAE CA 260 COPPER | 12078136 | B1 | | 4 | 5.0-3.0 | 5.10 | 11 | 4.6 |
| 12078033 | B1 | OBSOLETE | 0.406 THK SAE CA 260 BRASS | 12078137 | A | B1 | 4 | 2.0-1.0 | 3.95 | 15 | 3.3 |
| 12078032 | B1 | OBSOLETE | 0.406 THK SAE CA 260 BRASS | | | | 4 | 5.0-3.0 | 5.10 | 11 | 4.6 |
| 12078031 | B1 | OBSOLETE | 0.406 THK SAE CA 260 BRASS | | | | 2 | 0.8-0.5 | 3.10 | 19 | 3.8 |
| 12066447 | A | OBSOLETE | 0.406 THK SAE CA 260 BRASS | | | | 2 | 3.0 | 3.10 | 12 | 4.6 |
| 12052443 | B1 | | 0.406 THK SAE CA 260 BRASS | | | | 1 | 3.0 | 3.10 | 12 | 4.6 |
| 12052209 | B1 | | 0.406 THK SAE CA 260 BRASS | | | | 1 | 1.0 | 2.25 | 16 | 4.4 |
| 12052208 | B1 | | 0.406 THK SAE CA 260 BRASS | 12048293 | A | OBSOLETE | 2 | 0.8-0.5 | 3.10 | 19 | 3.8 |
| | | | 0.406 THK SAE CA 195 COPPER | 12048291 | A | A1 | 2 | 2.0-1.0 | 3.95 | 15 | 4.4 |
| | | | 0.406 THK SAE CA 195 COPPER | 12048290 | A | A1 | 2 | 5.0-3.0 | 5.10 | 11 | 4.6 |
| | | | 0.406 THK SAE CA 195 COPPER | 12048289 | A | OBSOLETE | 2 | TWO 2.0-1.0 | 3.10 | 215 | 6.0 |
| | | | 0.406 THK SAE CA 195 COPPER | 12048281 | B1 | | 1 | TWO 0.8-0.5 | 2.55 | 219 | 4.7 |
| | | | 0.406 THK SAE CA 195 COPPER | 12048280 | A | OBSOLETE | 1 | TWO 2.0-1.0 | 3.10 | 215 | 6.0 |
| | | | 0.406 THK SAE CA 195 COPPER | 12048279 | B1 | | 1 | 0.8-0.5 | 3.10 | 19 | 3.8 |
| | | | 0.406 THK SAE CA 195 COPPER | 12048278 | B1 | | 1 | 2.0-1.0 | 3.95 | 15 | 4.4 |
| | | | 0.406 THK SAE CA 195 COPPER | 12048277 | B1 | | 1 | 5.0-3.0 | 5.10 | 11 | 4.6 |
| 12020400 | E1 | | 0.406 THK SAE CA 260 BRASS | 12089953 | B1 | | 2 | 2.0-1.0 | 3.95 | 15 | 4.4 |
| 12020338 | D1 | | 0.406 THK SAE CA 260 BRASS | 12010637 | A | E1 | 2 | 5.0-3.0 | 5.10 | 11 | 4.6 |
| 12020337 | D1 | | 0.406 THK SAE CA 260 BRASS | | | | 1 | TWO 0.8-0.5 | 2.55 | 219 | 4.7 |
| 12020336 | E1 | OBSOLETE | 0.406 THK SAE CA 260 BRASS | 12089952 | B1 | | 1 | TWO 2.0-1.0 | 3.10 | 215 | 6.0 |
| 12020335 | E1 | | 0.406 THK SAE CA 260 BRASS | | | | 1 | 0.8-0.5 | 3.10 | 19 | 3.8 |
| 12020334 | E1 | | 0.406 THK SAE CA 260 BRASS | 12089951 | B1 | | 1 | 2.0-1.0 | 3.95 | 15 | 4.4 |
| 12020321 | E1 | | 0.406 THK SAE CA 260 BRASS | 12089950 | B1 | | 1 | 0.35-0.22 | 1.86 | 23 | 2.2 |
| 12015373 | E1 | | 0.406 THK SAE CA 260 BRASS | | | | 3 | TWO 0.8-0.5 | 2.55 | 219 | 4.7 |
| 12004582 | A | OBSOLETE | 0.406 THK SAE CA 260 BRASS | | | | 3 | TWO 2.0-1.0 | 3.10 | 215 | 6.0 |
| 12004581 | A | OBSOLETE | 0.406 THK SAE CA 260 BRASS | | | | 3 | 0.8-0.5 | 3.10 | 19 | 3.1 |
| 12004580 | A | OBSOLETE | 0.406 THK SAE CA 260 BRASS | | | | 3 | 2.0-1.0 | 3.95 | 15 | 3.7 |
| 12004579 | A | OBSOLETE | 0.406 THK SAE CA 260 BRASS | | | | 3 | 5.0-3.0 | 5.10 | 11 | 4.6 |
| 12004578 | A | OBSOLETE | 0.406 THK SAE CA 260 BRASS | | | | 2 | TWO 2.0-1.0 | 3.10 | 215 | 6.0 |
| 12004562 | D1 | OBSOLETE | 0.406 THK SAE CA 260 BRASS | | | | 2 | TWO 0.8-0.5 | 2.55 | 219 | 4.7 |
| 12004561 | D1 | OBSOLETE | 0.406 THK SAE CA 260 BRASS | | | | 2 | 0.8-0.5 | 3.10 | 19 | 3.8 |
| 12004560 | E1 | OBSOLETE | 0.406 THK SAE CA 260 BRASS | | | | 2 | 2.0-1.0 | 3.95 | 15 | 4.4 |
| 12004559 | E | OBSOLETE | 0.406 THK SAE CA 260 BRASS | | | | 2 | 5.0-3.0 | 5.10 | 11 | 4.6 |
| 12004558 | D | OBSOLETE | 0.406 THK SAE CA 260 BRASS | | | | 1 | TWO 0.8-0.5 | 2.55 | 219 | 4.7 |
| 12004557 | E | OBSOLETE | 0.406 THK SAE CA 260 BRASS | | | | 1 | TWO 2.0-1.0 | 3.10 | 215 | 6.0 |
| 12004556 | E | OBSOLETE | 0.406 THK SAE CA 260 BRASS | | | | 1 | 0.8-0.5 | 3.10 | 19 | 3.8 |
| 12004555 | F | OBSOLETE | 0.406 THK SAE CA 260 BRASS | | | | 1 | 2.0-1.0 | 3.95 | 15 | 4.4 |
| 12004554 | F | OBSOLETE | 0.406 THK SAE CA 260 BRASS | | | | 1 | 5.0-3.0 | 5.10 | 11 | 4.6 |
| 12004553 | E | OBSOLETE | 0.406 THK SAE CA 260 BRASS | | | | | | | | |
| PART NO. | REV. | STATUS | MATERIAL | PART NO. | REV. | STATUS | TYPE | SIZE (MM ²) | DIA. | I.D. | A |
| | | | UNPLATED | | | | | | | | ±0.4 |

CABLE I.D. NUMBER (AS SPECIFIED IN CHART) IS LOCATED ON UNDERSIDE OF EACH TERMINAL.

- INDICATES SERRATIONS IN CONDUCTOR WINGS.
- ▲ INDICATES MATERIAL (C260 ALLOY) IS TIN PLATED OVER COPPER PLATE.
- INDICATES MATERIAL (C195 ALLOY) IS SILVER PLATED OVER NICKEL PLATE.
- INDICATES MATERIAL (C260 ALLOY) IS SILVER PLATED OVER NICKEL PLATE.

NOTE - CONTACT PACKARD ELECTRIC SALES DEPARTMENT CONCERNING CURRENT PRODUCT AVAILABILITY.

As of 06JL 90 this drawing is no longer being maintained on computer vision.

CAD CAM (JWP)

METRIC THIRD ANGLE PROJECTION

DIMENSIONS ARE IN MILLIMETERS UNLESS OTHERWISE SPECIFIED

CODE NO. 6900 TOLERANCE UNLESS OTHERWISE SPECIFIED
DECIMAL: ONE PLACE ± 0.3 TWO PLACE ± 0.15 ANGULAR: ± 2°

QC DATE: 07JN78 SCALE: NONE DR. DATE: 03AU84

CD X.TERM. 12004552.00.01 CK: R. SEBRELL DATE: 03AU84

REFERENCE NO. 12004552 "D" SIZE APPR. DATE: 040C84
SHT. #1, #2, & #6 APPR. R.D. KEARNS DATE: 040C84

MATERIAL SPEC. SEE CHART

NAME TERM F PAC/ON III

PART NO. 1200 4552 SIZE D

OUTLINE DRAWING SHEET 1 OF 3

C05D1974

X-ON Electronics

Largest Supplier of Electrical and Electronic Components

Click to view similar products for [Automotive Connectors](#) category:

Click to view products by [Delphi](#) manufacturer:

Other Similar products are found below :

[003-018-000](#) [600858](#) [60403001](#) [60993906-B](#) [60993913-B](#) [629515004020001](#) [M902-2131](#) [M902-2161](#) [M902-2344](#) [72.330.1035.1](#)
[73.353.4028.0](#) [F118010](#) [F119300-B](#) [F132210](#) [F132210-B](#) [F166900](#) [F180100](#) [F258300](#) [F258300-B](#) [F294300-B](#) [F339100](#) [F339700](#) [F358300-](#)
[B](#) [F374110](#) [F407400](#) [F412210](#) [F427600](#) [F444110](#) [F487000](#) [F495100-B](#) [F500900-B](#) [F509500B-B](#) [770444-1](#) [776880-1](#) [827153-1](#) [881735-1](#)
[8N1515-32-24P](#) [9-1326727-8](#) [9-1326729-8](#) [925467-1](#) [925474-1](#) [928905-1](#) [936398-2](#) [964562-1](#) [964562-4](#) [964731-2](#) [965051-1](#) [968782-1](#)
[GT17SA-8DS-HU](#) [GT17VS-10DP-5.2CF](#)