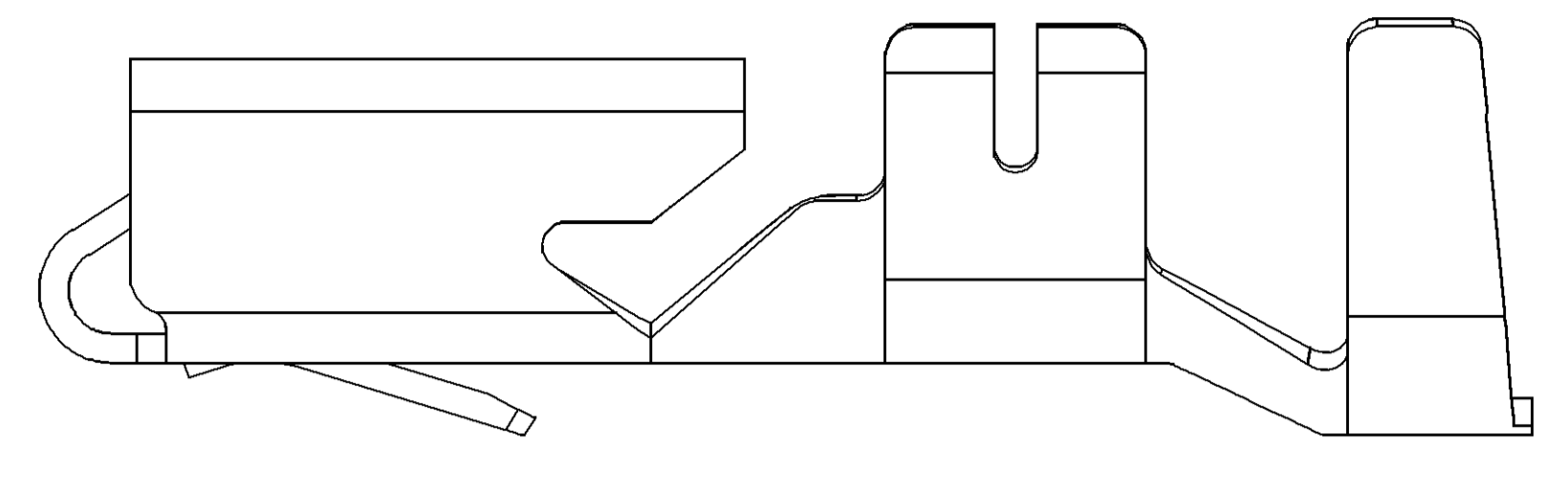
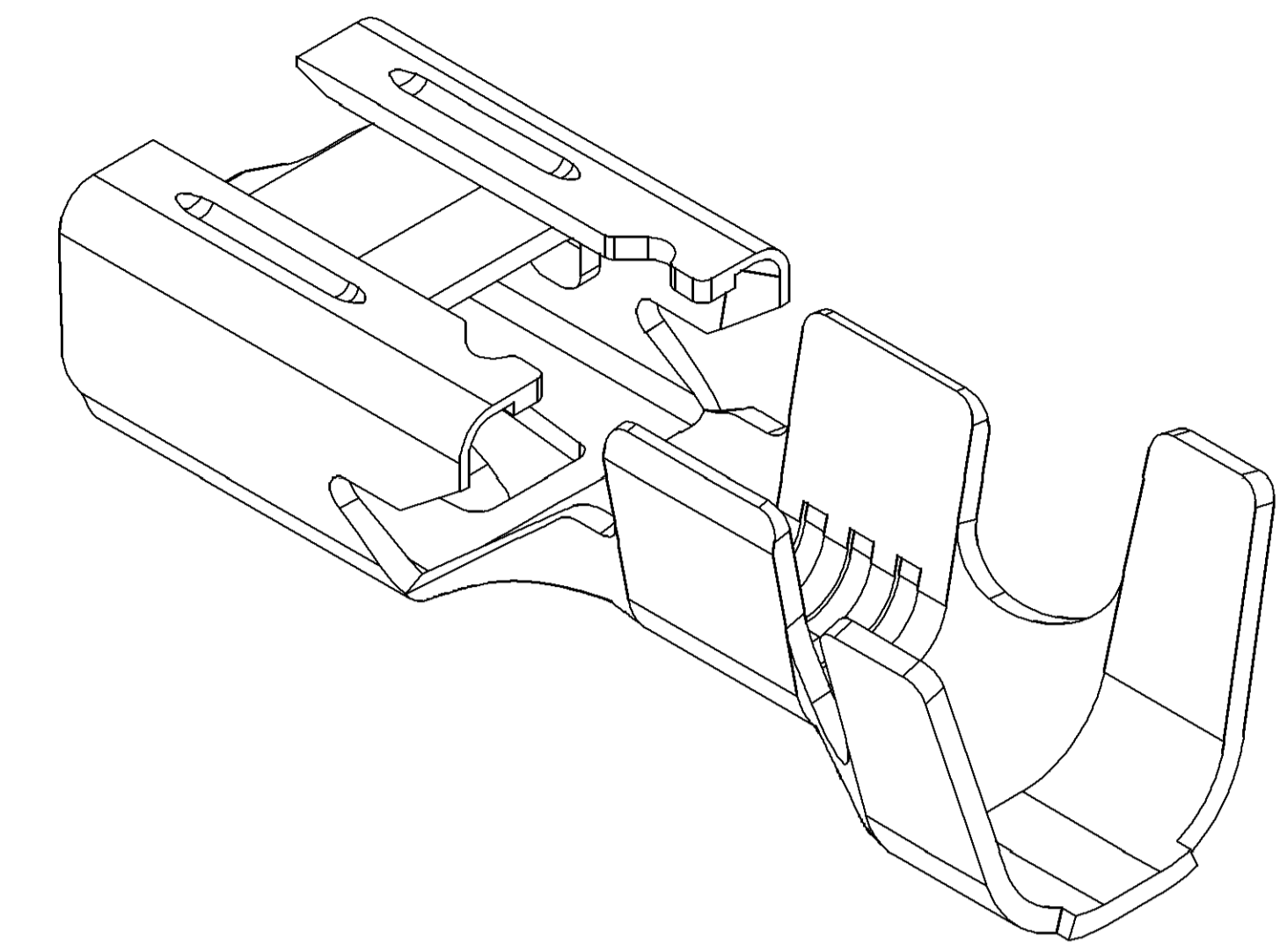


SYMBOL DEFINITION		MISSING NUMBERS	
THE NUMBER INSIDE THE SYMBOL CORRESPONDS TO THE NUMBER ON THE INSPECTION REPORT FOR THIS DRAWING/PART NUMBER	TOTAL NO. OF SYMBOLS ON DRAWING	4	
	LAST NO. USED	4	

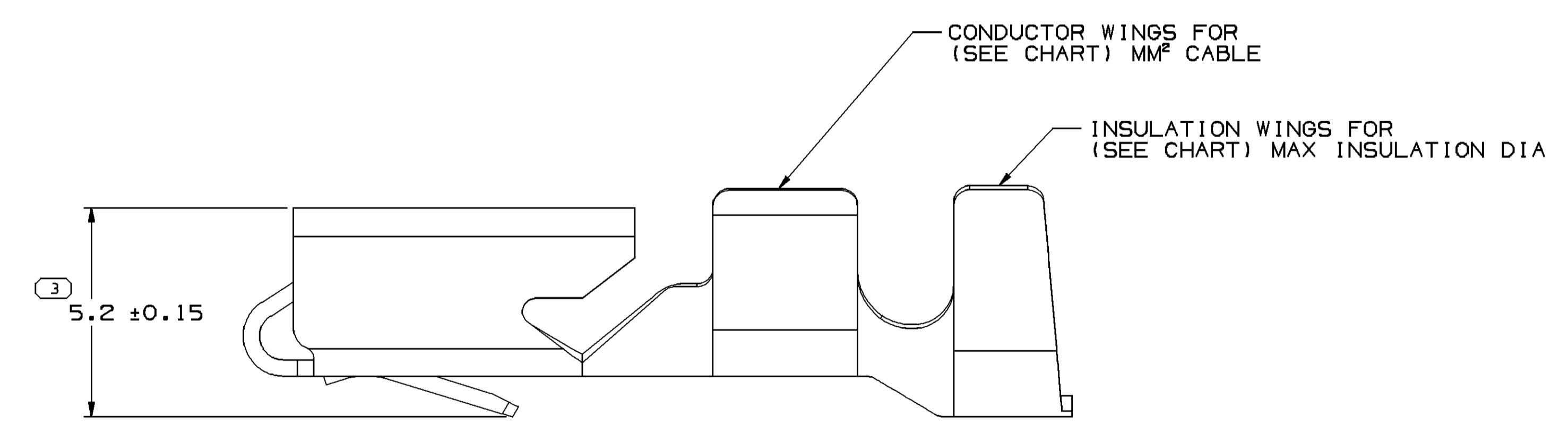
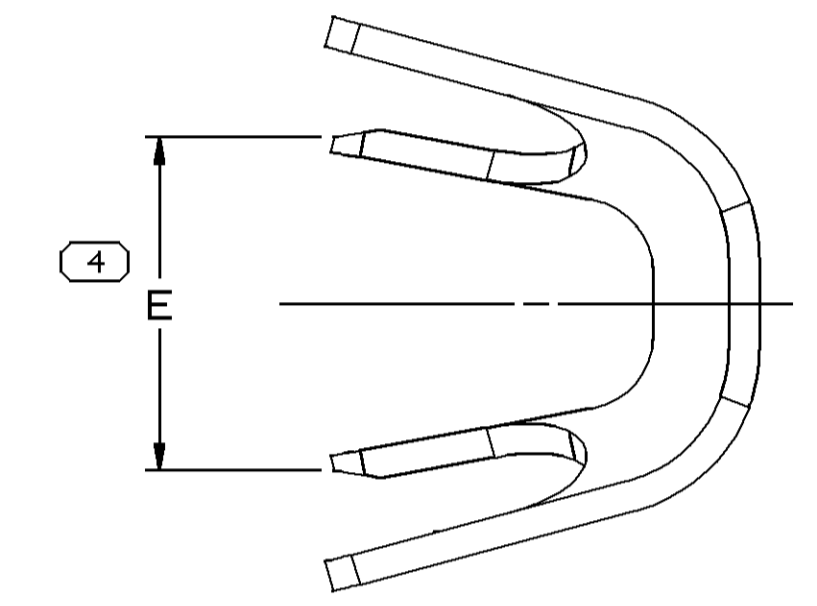
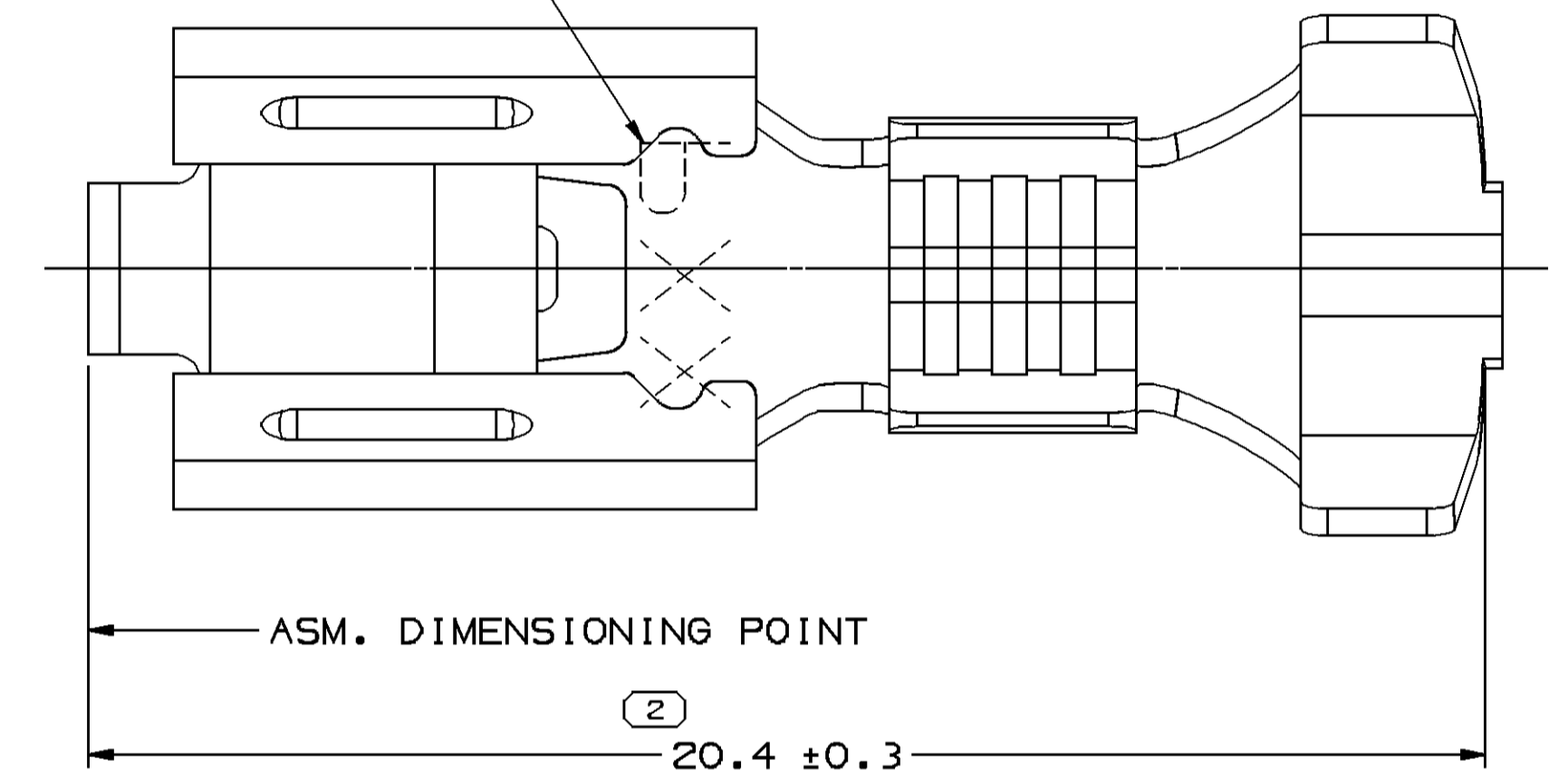
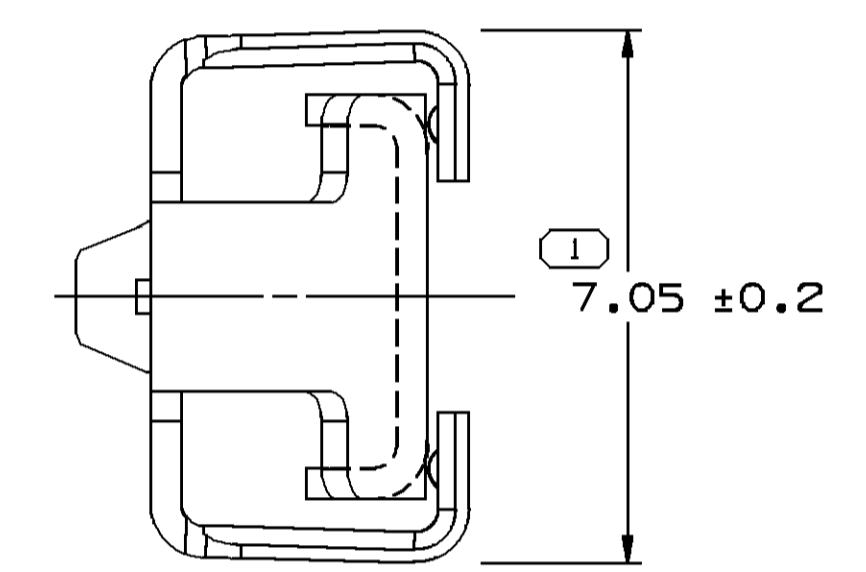
DWG STATUS					REVISION HISTORY				
DATE	STG	REV	N/P	CHG	ZONE				
26MY10	R	01	-	-				ALL ACTIVE PARTS - CLEARED REVISION COL AND ADDED TYPE VIEW 202	407485
09AP14	R	02	-	-			12084590 - UPDATED BODY GEOMETRY	426193	JVR/JVM/JSM



○ TYPE 202
SAME AS TYPE 201
EXCEPT AS SHOWN



STAMP "PXX" ON UNDERSIDE IN THIS AREA WITH 1.3 HIGH CHARACTERS PER NOTE #6 CHARACTERS MUST BE POSITIONED IN DIRECTION SHOWN OR AT 180° TO DIRECTION SHOWN. "PED" OPTIONAL FOR EXISTING TOOLS.



TYPE 201

NOTES

- UNLESS OTHERWISE SPECIFIED AND/OR INDICATED: DIMENSIONS ARE TO FACE OF VIEW SHOWN AND AUTOMATICALLY ROUNDED BY COMPUTER FOR INSPECTION. (SEE MATH MODEL FOR PRECISE DIMENSIONS.) FOR ALL OTHER DIMENSIONS NOT SHOWN BUT REQUIRED FOR TOOL BUILD, SEE MATH MODEL FOR PRECISE TOOL PATH DATA. ALL RADII 0.4
- A R 0.4 MAX IS PERMISSIBLE ON ALL "SHARP" CORNERS UNLESS OTHERWISE SPECIFIED. ALL LOCKING FEATURES MUST HAVE SHARP CORNERS
- TERMINALS TO HAVE TERMINAL ENGAGE OF 8N TO 28N AND TERMINAL DISENGAGE OF 8N TO 28N WHEN MATED TO A 6.3 X 0.81 HARDENED STEEL BLADE. (DISENGAGE MAY BE EXCLUDED WHEN BOX HEIGHT, BOX WIDTH, MINIMUM BOX ENTRANCE, NOSE RADIUS AND TERMINAL ENGAGE ARE MAINTAINED)
- RECOVERY NOTE - AFTER INSERTION INTO A 4.3 FUNCTIONAL GAGE, 5.4 TANG MUST RECOVER TO A MINIMUM OF 4.7.
- VISIBLE CRACKS ARE NOT PERMISSIBLE
- "PXX" INDICATES "P" PLUS LAST TWO DIGITS OF MAKE SERIES NUMBERS (P01,P02,P03,ETC.)
- PART MUST BE FREE FROM BURRS, SHARP EDGES, OILS AND SURFACE CONTAMINATES WHICH MIGHT BE DETRIMENTAL TO SATISFACTORY ASSEMBLY.

PART NO	REV N/P	MAT'L SIZE	MAT'L SPEC	PART NO	REV N/P	MAT'L SIZE	MAT'L SPEC	SIZE (MMF)	ID	DIA	TYPE	ANTI-ROTATION NIB
12084589	C	0.406 X 33.73	S-1519445	12084590	DZ	0.406 X 33.73	TIN PLATED COPPER ALLOW	5-3	11	5.24 - 3.49	202	4.6
12015834	E	0.406 X 33.73	S-1519445	12015871	F	0.406 X 33.73	P-1519445	5-3	11	5.24 - 3.49	201	4.6
-	-	-	-	12015254	F	0.406 X 33.73	K-1403445	5-3	11	5.24 - 3.49	201	4.6

LINE DRAWN THROUGH PART NUMBER INDICATES THAT PHYSICAL PARTS ARE NOT AVAILABLE FOR ORDERING.

PART NUMBERS THAT DO NOT HAVE A LINE PRESENT INDICATE THAT PHYSICAL PARTS ARE AVAILABLE FOR ORDERING.

CONTACT DELPHI SALES TO ASSURE AVAILABILITY OF PARTS.

DWG TYPE: PART DRAWING

UNLESS OTHERWISE SPECIFIED THIS DOCUMENT IS IN ACCORDANCE WITH ASME Y14.5M-1994 AS MODIFIED BY THE 2003 SUPPLEMENT AND TELEPHANING ADDENDUM-2001. SEPARATE PATTERNS OF FEATURES MAY BE SHOWN SEPARATELY, IRRESPECTIVE OF DATUM REFERENCES.

ALL DIMENSIONS ARE IN MILLIMETERS

REFERENCE:

THIRD ANGLE PROJECTION

DO NOT SCALE

USE MATH DATA

DELPHI
DELPHI PACKARD ELECTRICAL/ELECTRONIC ARCHITECTURE

WARREN, OH
COPYRIGHT 1999 DELPHI CORPORATION AND/OR ITS AFFILIATES. ALL RIGHTS RESERVED.

THIS DRAWING IS THE PROPERTY OF DELPHI CORPORATION AND CONTAINS DELPHI CONFIDENTIAL INFORMATION. THE REPRODUCTION, DISTRIBUTION AND UTILIZATION OF THIS DOCUMENT OR ITS CONTENTS TO ANY OTHERS, WITHOUT EXPRESS AUTHORIZATION, IS PROHIBITED.

OR DATE

APV01 J. C. ORTIZ 15JA99
APV02 MANUEL VEGA 26JA99
APV03 GLORIA MARTINEZ 28MY10
APV04

SUBSTANCES OF CONCERN AND RECYCLED CONTENT PER DELPHI 10049001

MATERIAL: SEE CHART

DRAWING NAME: TAXI TERM F/W P 630 TANG

DRAWING NUMBER: 12065521

SIZE: A0 SCALE: 10:1 FRM NO: 1 OF 1 SHEET NO: 1 OF 1 STG REV N/P: R 02 -

X-ON Electronics

Largest Supplier of Electrical and Electronic Components

Click to view similar products for [Automotive Connectors](#) category:

Click to view products by [Delphi](#) manufacturer:

Other Similar products are found below :

[003-018-000](#) [600858](#) [60403001](#) [60993906-B](#) [60993913-B](#) [629515004020001](#) [M902-2131](#) [M902-2161](#) [M902-2344](#) [72.330.1035.1](#)
[73.353.4028.0](#) [F118010](#) [F119300-B](#) [F132210](#) [F132210-B](#) [F166900](#) [F180100](#) [F258300](#) [F258300-B](#) [F294300-B](#) [F339100](#) [F339700](#) [F358300-](#)
[B](#) [F374110](#) [F407400](#) [F412210](#) [F427600](#) [F444110](#) [F487000](#) [F495100-B](#) [F500900-B](#) [F509500B-B](#) [770444-1](#) [776880-1](#) [827153-1](#) [881735-1](#)
[8N1515-32-24P](#) [9-1326729-8](#) [925467-1](#) [925474-1](#) [928905-1](#) [936398-2](#) [964562-1](#) [964562-4](#) [964731-2](#) [965051-1](#) [968782-1](#) [GT17SA-8DS-](#)
[HU](#) [GT17VS-10DP-5.2CF](#) [98315-0001](#)