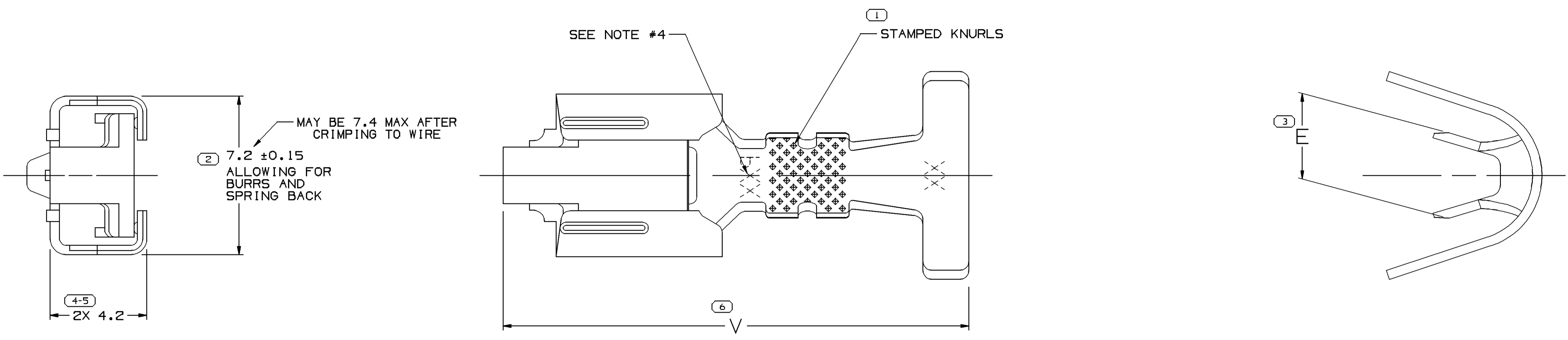
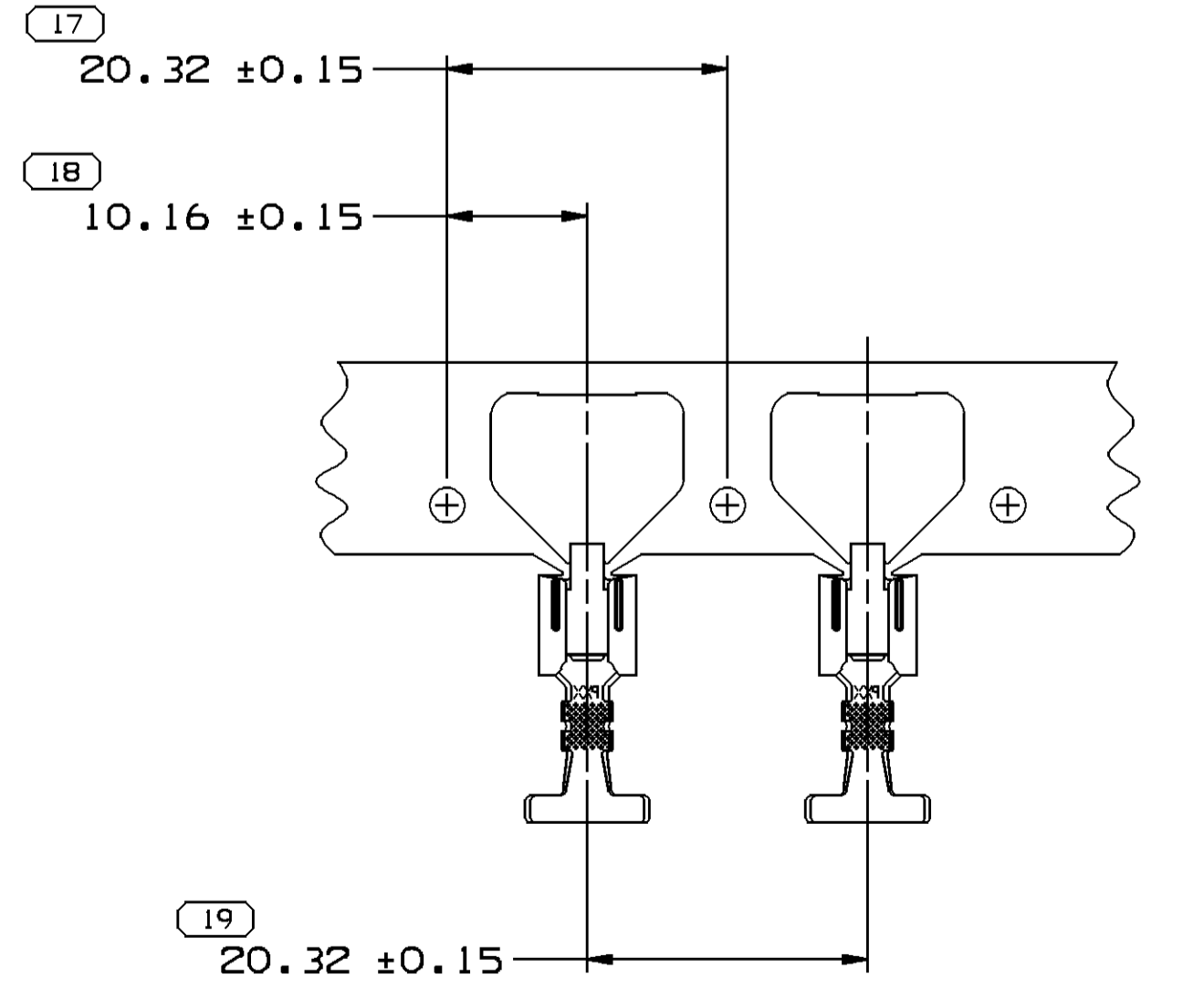
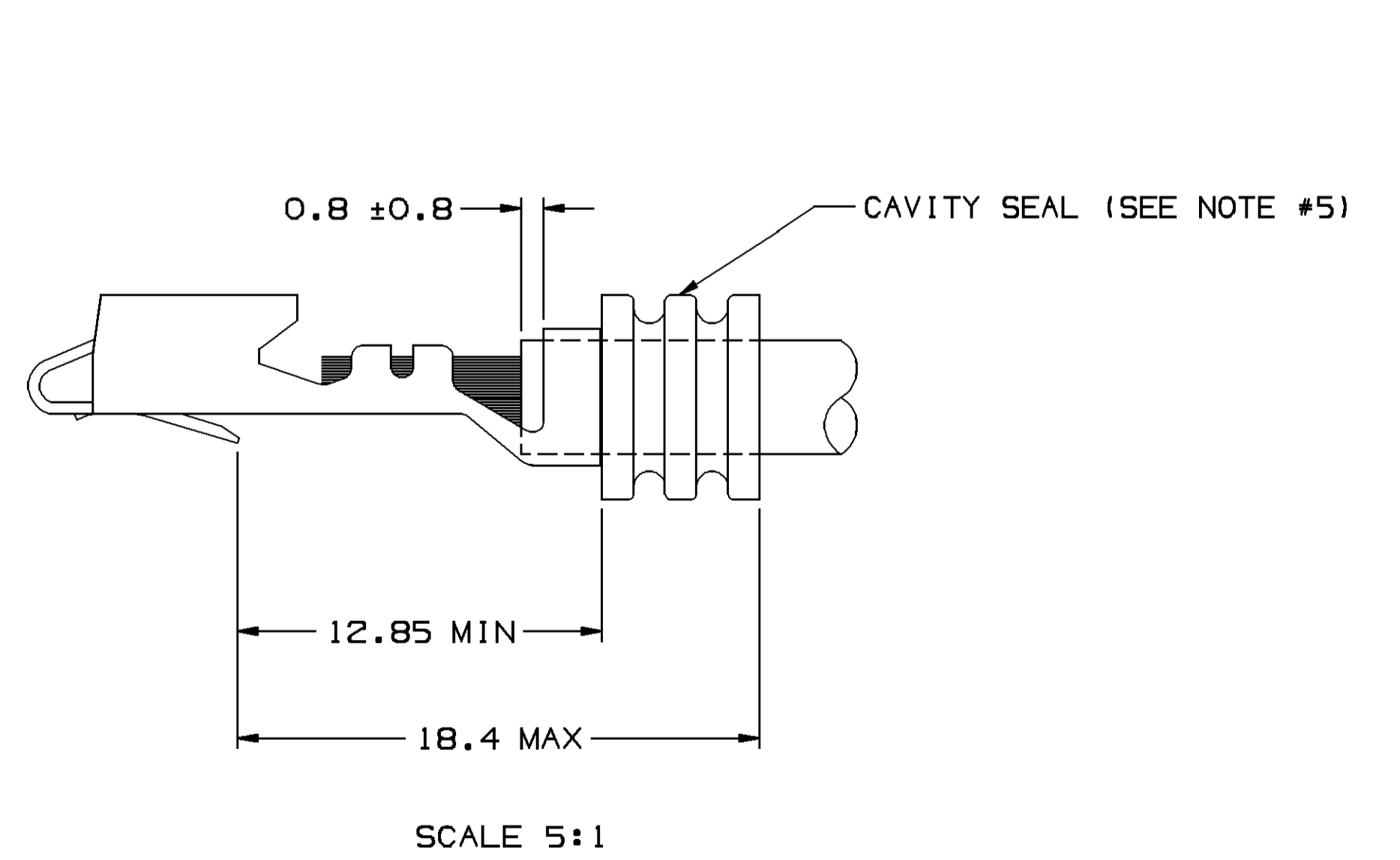
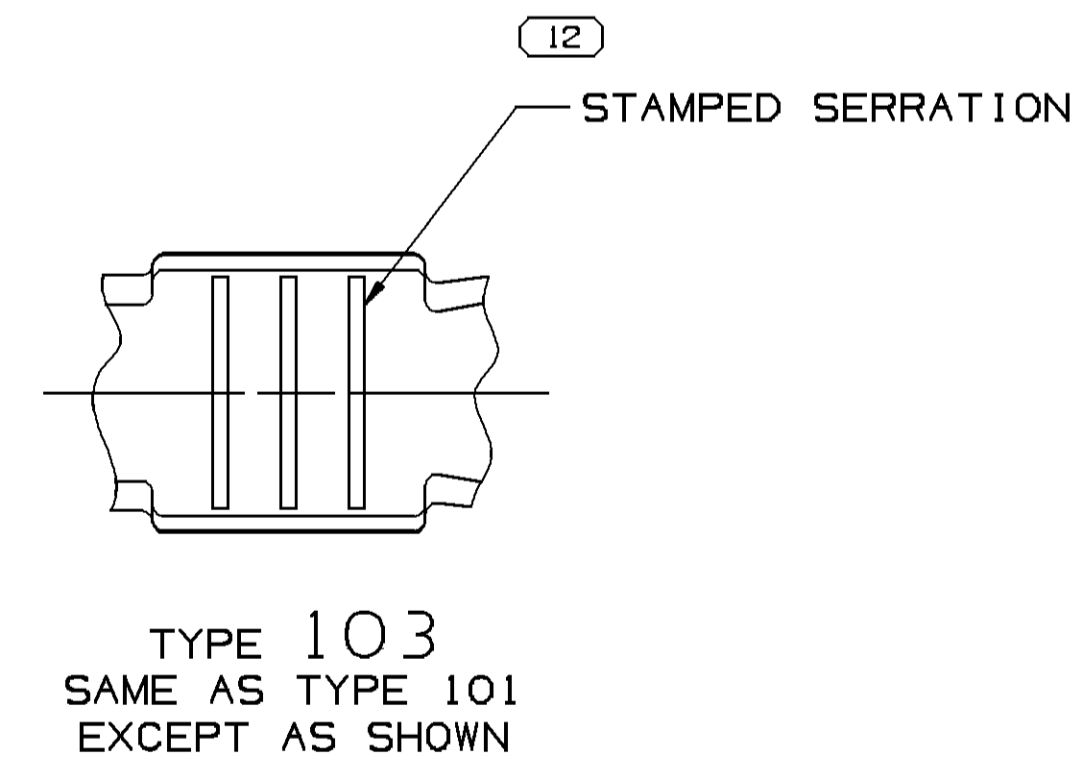
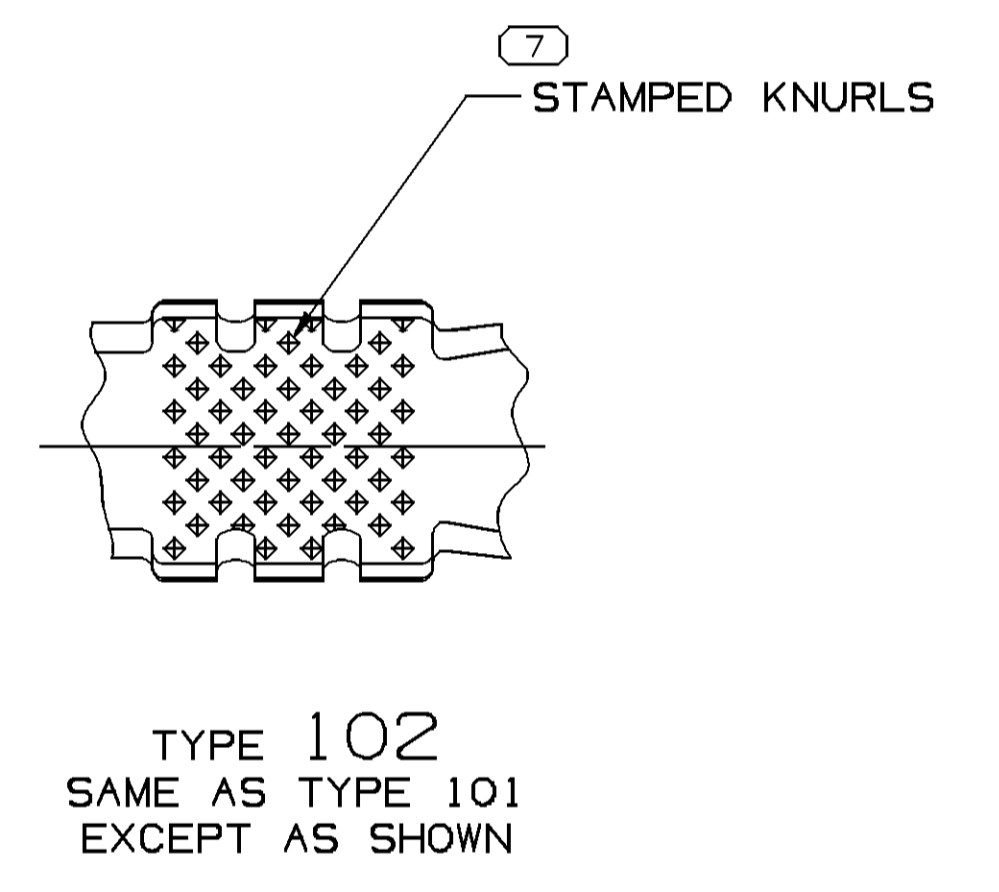
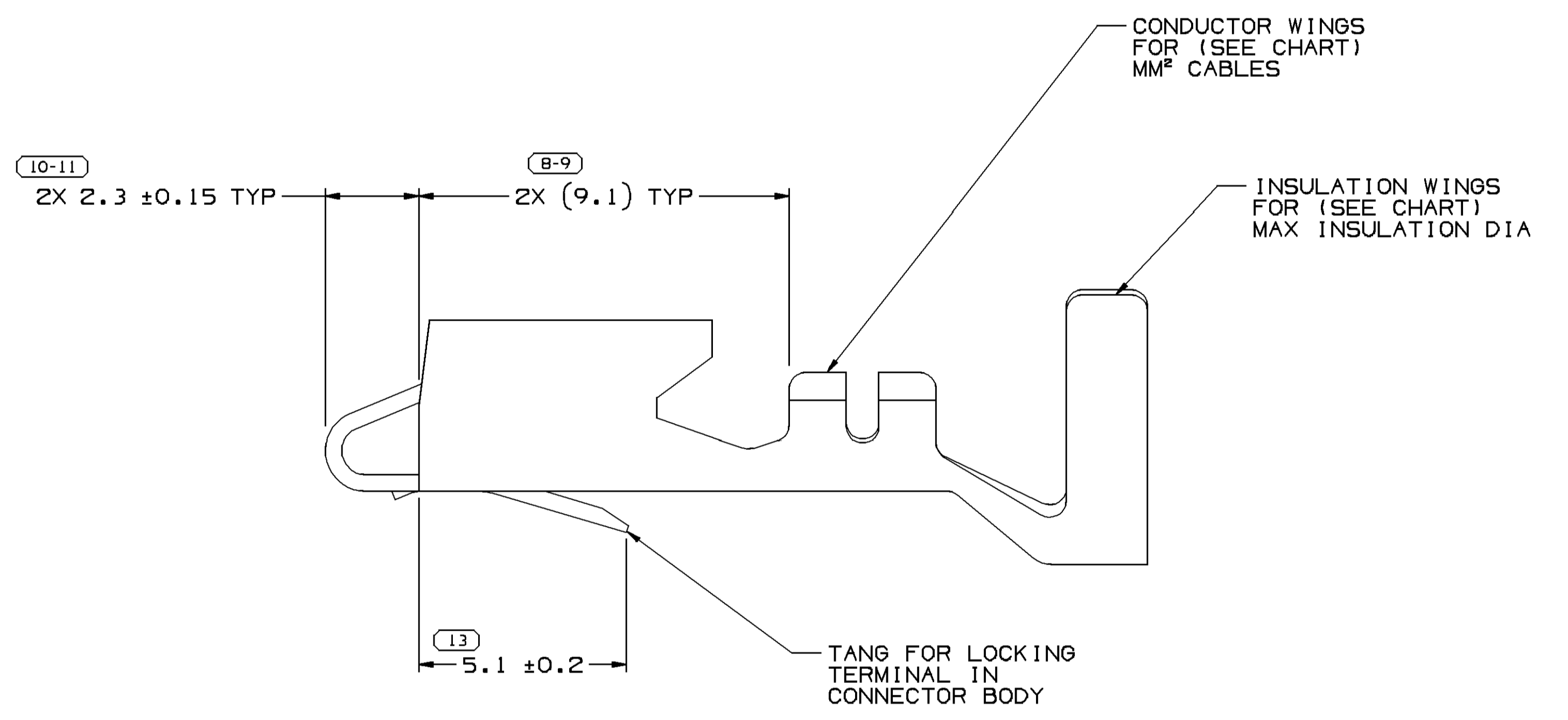


SYMBOL DEFINITION			MISSING NUMBERS		DWG STATUS		ZONE		REVISION HISTORY		AUTH	DR	AP/D	AP/D
DATE	STG	REV	N/P	CHG	DATE	STG	REV	N/P	CHG	DESCRIPTION				
27AU99	R	001	-	-	14-16,					ALL ACTIVE PARTS - REDRAWN TO PD & ADDED CARRIER STRIP & SEAL ASSEMBLY INFORMATION	990009	RGT	CMP	JH
27AU99	R	002	-	-						ALL ACTIVE PARTS - LETTER DIM V WAS 20.2	198182	RGT	CMP	JH
09JAO3	R	03	-	-						SHEET 1 OF 3 WAS SHEET 1 OF 2	230755	ECB	JAA	AGL
29N004	R	04	-	-						15305232 - REVISED MATERIAL CODE	261521	END	END	B6
21FE05	R	05	-	-						ALL ACTIVE PARTS - UPDATED MAT'L SPECS: REVISED MATING BLADE TOLERANCE (NOTE#2): 7.05+0.3-0.2 WAS 7.05+0.25-0.3 & ADDED NOTE #5	264738	END	END	B6
06JN05	R	06	-	-						REVISED GRAPHICS	268139	MJM	MJM	B6
270C06	R	07	-	-						UPDATED PDM ATTRIBUTES	286199	MM	MM	B6



TYPE 101



CARRIER STRIP VIEW  
SCALE 2:1

- NOTES:
- UNLESS OTHERWISE SPECIFIED AND/OR INDICATED: DIMENSIONS ARE TO FACE OF VIEW SHOWN AND AUTOMATICALLY ROUNDED BY COMPUTER FOR INSPECTION. (SEE MATH MODEL FOR PRECISE DIMENSION) FOR ALL OTHER DIMENSIONS NOT SHOWN BUT REQUIRED FOR TOOL BUILD, SEE MATH MODEL FOR PRECISE TOOL PATH DATA.
  - RECOMMENDED MATING BLADE 0.8+0.04-0.03 THK X 6.3±0.1 WIDE.
  - THIS PART MATES WITH 12020127 OR EQUIVALENT.
  - "PXX" INDICATES "P" PLUS LAST TWO DIGITS OF MAKE DIE SERIES NUMBER (P01, P02, P03, ETC).
  - TERMINAL TO CRIMP AND RETAIN CAVITY SEAL 12052386 OR EQUIVALENT.

PART NO	STG	REV	N/P	STATUS	MAT'L SIZE	MAT'L SPEC	PART NO	STG	REV	N/P	STATUS	MAT'L SIZE	MAT'L SPEC	SIZE (MM²)	ID	DIA	TYPE
					15317332	R 03 AA						0.406 X 33.32	M363902B NONFERROUS C70250 TMOO	6-4	10	5.24	104
					15317331	R 03 AA						0.406 X 33.32	M157402B NONFERROUS C42500 EX HD	6-4	10	5.24	103
					15305232	R 02 AA						0.406 X 33.32	M363902B NONFERROUS C70250 TMOO	5-3	11	5.24	101
												0.406 X 33.32	P151902B 425 TIN BRS EX HD SN PLTD	3	12	4.9	101
												0.406 X 33.32	M157402B NONFERROUS C42500 EX HD	0.8-0.5	19	2.68	102
												0.406 X 33.32	M157402B NONFERROUS C42500 EX HD	5-3	11	5.24	101
												0.406 X 33.32	M157402B NONFERROUS C42500 EX HD	2-1	15	3.59	101
												0.406 X 33.32	M157402B NONFERROUS C42500 EX HD	2-1	15	3.59	101

(13) PROCESS SENSITIVE DIMENSION	
DIMENSIONS ENCLOSED IN ( ) INDICATE REFERENCE DIMENSIONS AND NO TOLERANCE LIMITS ARE ESTABLISHED	
DIMENSIONAL RANGE (MM)	CHART D
FROM + 0	>12
TO - 0	>12
TOLERANCE UNLESS OTHERWISE SPECIFIED	
+0.1	+0.2
ANGULAR TOLERANCE 32°	

PART DRAWING	
STYLE	
VOLUME 104/1	DISTR CODE
	D
UNLESS OTHERWISE SPECIFIED	
THIS DOCUMENT IS IN ACCORDANCE WITH ASME Y14.5M-1994 AS MODIFIED BY THE IN CHARGE, DIMENSIONAL AND TOLERANCE PRACTICES. ALL DIMENSIONS ARE TO UNLESS OTHERWISE SPECIFIED. DIMENSIONS ARE ESTABLISHED BY ORIENTATION OR LOCATION TOLERANCES. SPACED PARTITION CALLOUTS MAY BE SHOWN SEPARATELY, REGARDLESS OF DATUM REFERENCE. ALL DIMENSIONS ARE IN MILLIMETERS.	
THIRD ANGLE PROJECTION	DO NOT SCALE
USE MATH DATA	UNIMPHASIS

**DELPHI**  
DELPHI PACKARD ELECTRIC SYSTEMS  
WARREN, OH

DR	DATE
AP/D1 ANDY T. LE	22JL88
AP/D2 J. COLDSNOW	22JL88
AP/D3 R. D. KEARNS	31AUB8
AP/D4	
AP/D5	

MATERIAL: SUBSTANCES OF CONCERN AND RECYCLED CONTENT PER DELPHI 10949001

SEE CHART

DRAWING NAME: TAXI TERM F/M/P 630 SEALED TANG

DRAWING NUMBER: 12088013

SIZE	SCALE	FRAME NO	SHEET NO	REV	N/P
A0	10:1	11	1	1	3 R 07

## X-ON Electronics

Largest Supplier of Electrical and Electronic Components

*Click to view similar products for [Automotive Connectors](#) category:*

*Click to view products by [Delphi](#) manufacturer:*

Other Similar products are found below :

[003-018-000](#) [600858](#) [60403001](#) [60993906-B](#) [60993913-B](#) [629515004020001](#) [M902-2131](#) [M902-2161](#) [M902-2344](#) [72.330.1035.1](#)  
[73.353.4028.0](#) [F118010](#) [F119300-B](#) [F132210](#) [F132210-B](#) [F166900](#) [F180100](#) [F258300](#) [F258300-B](#) [F294300-B](#) [F339100](#) [F339700](#) [F358300-](#)  
[B](#) [F374110](#) [F407400](#) [F412210](#) [F427600](#) [F444110](#) [F487000](#) [F495100-B](#) [F500900-B](#) [F509500B-B](#) [770444-1](#) [776880-1](#) [827153-1](#) [881735-1](#)  
[8N1515-32-24P](#) [9-1326727-8](#) [9-1326729-8](#) [925467-1](#) [925474-1](#) [928905-1](#) [936398-2](#) [964562-1](#) [964562-4](#) [964731-2](#) [965051-1](#) [968782-1](#)  
[GT17SA-8DS-HU](#) [GT17VS-10DP-5.2CF](#)