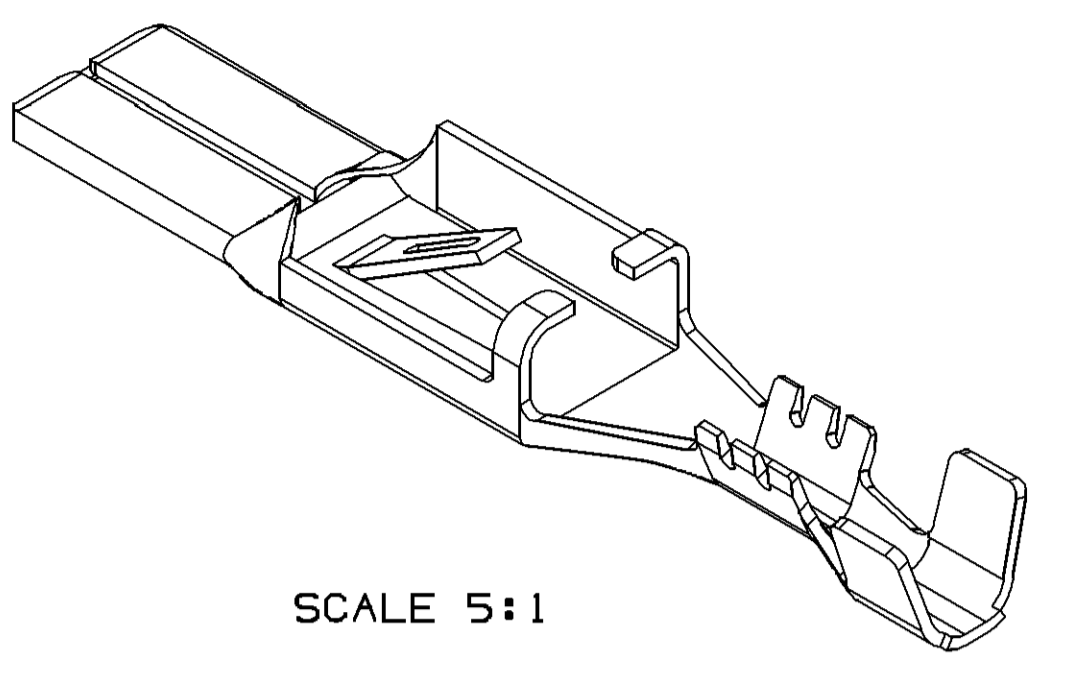
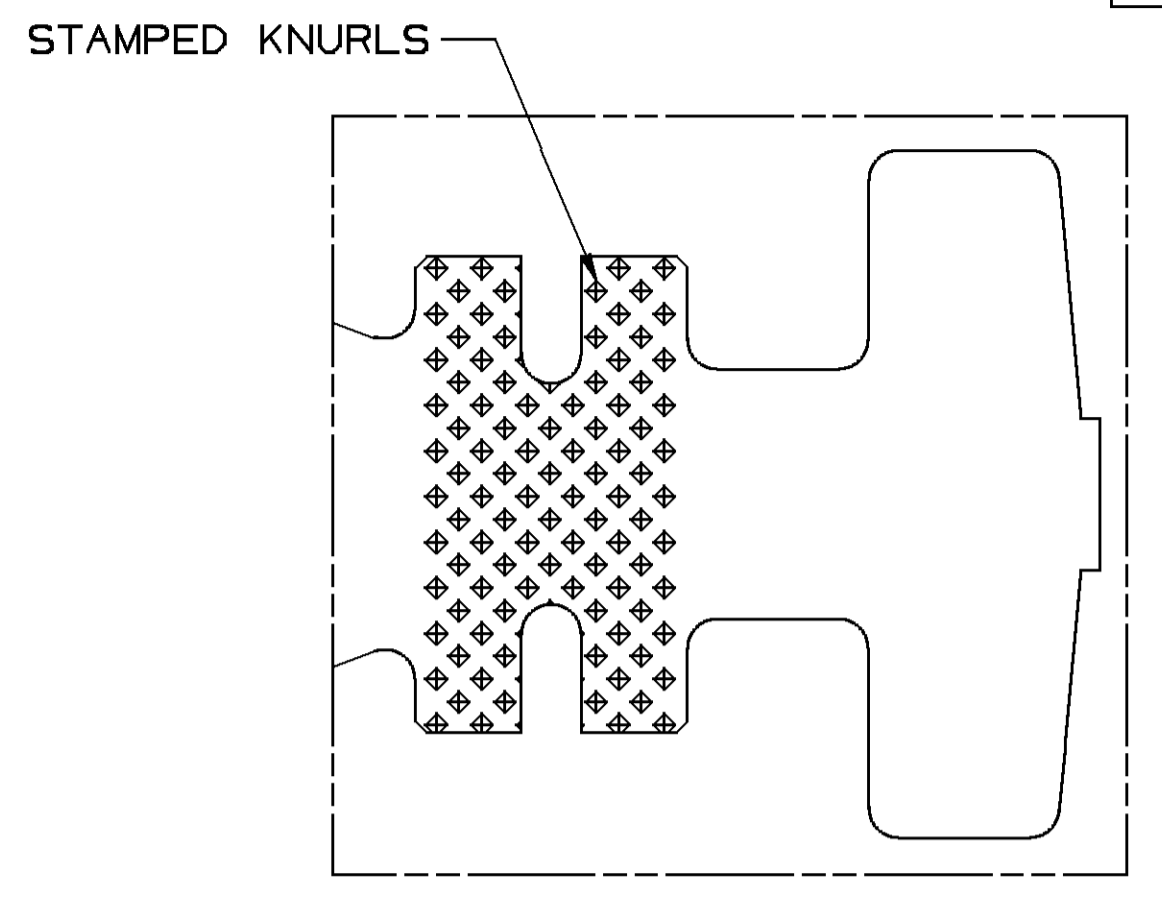
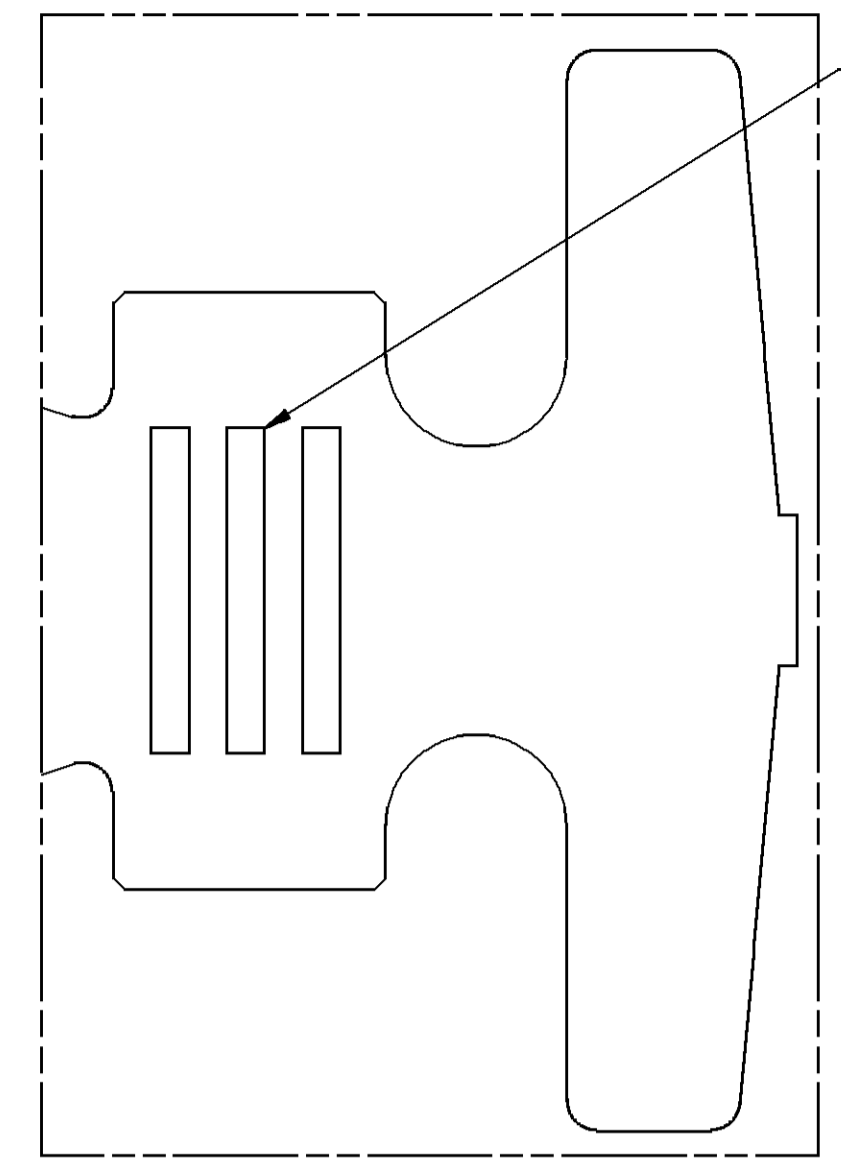


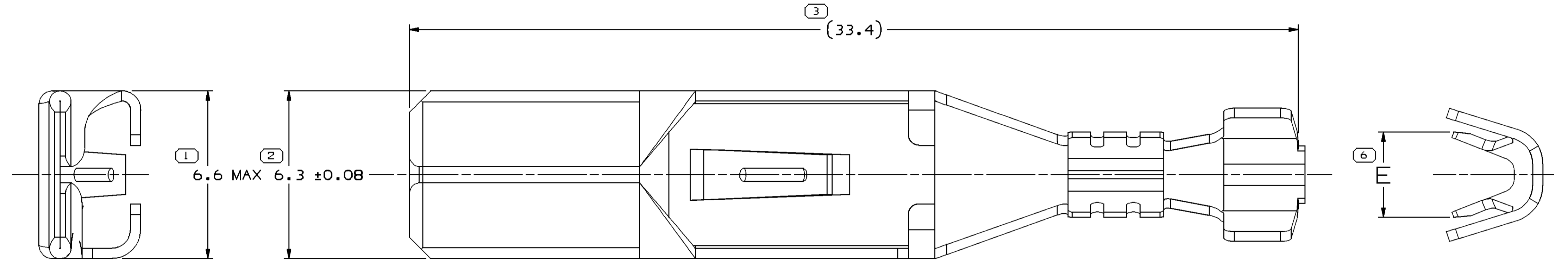
SYMBOL DEFINITION		MISSING SYMBOLS	
A DIMENSION WITHOUT AN INSPECTION REPORT SYMBOL DOES NOT REQUIRE INSPECTION. IT MAY BE CONTROLLED ON THE INDIVIDUAL COMPONENT DRAWING.	TOTAL NO OF INSPECTIONS REQUIRED	NO MISSING SYMBOL NUMBER	6
	LAST NO. USED		6

DWG STATUS				REVISION HISTORY				AUTH		DR		APVD	
DATE	STG	REV	N/P	CHG	ZONE								
27N006	R	09	-	-		ALL ACTIVE PARTS - RELEASED TAXI PART DRAWING	287070	TLD	TLD	MGO			
18DE06	R	10	-	-		ALL ACTIVE PARTS - REVISED MATERIAL SPEC	286837	PCP	PCP	BDG			
11SE09	R	11	-	-		ALL ACTIVE PARTS - REDRAWN TO 3D MODELS	408916	ECB	AUG	APR			
200C09	R	12	-	-		ALL ACTIVE PARTS - DIM 3.82 +0.3/-0.1 WAS +0.18/-0.1	409267	APR	MMC	APR			
140C10	R	13	-	-		ALL ACTIVE PARTS - UPDATED PDM ATTRIBUTES	412261	ACR	JVM	GEM			
08A612	R	14	-	-		12020125-26, 12020365, 12033972, 12052826, 12066454 & 12066493 - UPDATED PDM ATTRIBUTES	419205	AGM	AGM	MAA			
14FE14	R	15	-	-		12020126, 12020365 - ADDED TYPE 102 VIEW; 12033972, 12052826, 12066493 & 12186095 - ADDED TYPE 103 VIEW	425501	AGC	JVM	JSM			
19FE15	R	16	-	-		12186095 - ADDED TARNISH INFO NOTE	428877	ABH	JVM	JSM			



TYPE 102  
SAME AS TYPE 101  
EXCEPT AS SHOWN

TYPE 103  
SAME AS TYPE 101  
EXCEPT AS SHOWN



INSULATION WINGS FOR  
(SEE CHART) MAX INSULATION DIA

CONDUCTOR WINGS FOR  
(SEE CHART) MM<sup>2</sup> CABLE

NOTES

- UNLESS OTHERWISE SPECIFIED AND/OR INDICATED:  
DIMENSIONS ARE TO FACE OF VIEW SHOWN AND AUTOMATICALLY ROUNDED BY COMPUTER FOR INSPECTION (SEE MATH MODEL FOR PRECISE DIMENSIONS). FOR ALL OTHER DIMENSIONS NOT SHOWN BUT REQUIRED FOR TOOL BUILD, SEE MATH MODEL FOR PRECISE TOOL PATH DATA.
- REFERENCE MATING COMPONENTS OR EQUIVALENT:  
TERMINAL 12015832
- FOR TERMINALS PACKAGED & STORED IN THE APPROVED MANNER, TARNISH ON SILVER PLATED SURFACES WILL NOT AFFECT THE PERFORMANCE OF THE PART.

PART NO	REV	N/P	MAT'L SIZE	MAT'L SPEC	PART NO	REV	N/P	MAT'L SPEC	SIZE	MM <sup>2</sup>	DIA	ID	TYPE	E <sub>±0.4</sub>
			0.381 X 42.47		12186095	A6	-	AG PLATED COPPER ALLOY	5 - 3	5.25-3.49	11	103	4.6	
			0.381 X 42.47		12066493	C6	-	TIN PLATED COPPER ALLOY	5 - 3	5.25-3.49	11	103	4.6	
12066278	A4	-	0.381 X 42.47	COPPER ALLOY	12066454	B7	-	TIN PLATED COPPER ALLOY	0.5-0.35	2.51-1.84	21	101	2.4 ±0.2	
			0.381 X 42.47		12052826	E6	-	TIN PLATED COPPER ALLOY	3	3.2-3.04	12	103	4.6	
			0.381 X 42.47		12033972	E6	-	TIN PLATED COPPER ALLOY	TWO 0.8-0.5	3.12-2.03	219	103	3.7	
			0.381 X 42.47		12020365	F6	-	TIN PLATED COPPER ALLOY	TWO 3	4.67-3.49	212	102	6.6	
			0.381 X 42.47		12020127	D	-	BRASS	5 - 3	5.25-3.49	11	102	4.6	
12020390	B	-	0.381 X 42.47	BRASS	12020126	E6	-	TIN PLATED COPPER ALLOY	2 - 1	3.97-2.48	15	102	3.7	
12020391	D	-	0.381 X 42.47	BRASS	12020125	G6	-	TIN PLATED COPPER ALLOY	0.8-0.5	3.12-2.03	19	101	3.2	

DIMENSIONAL RANGE (MM)		CHART D
FROM	TO	
0	>12	
TOLERANCE UNLESS OTHERWISE SPECIFIED		
±0.1	±0.2	
ANGULAR TOLERANCE ±2°		

LINE DRAWN THROUGH A PART NUMBER INDICATES THAT PHYSICAL PARTS ARE NOT AVAILABLE FOR ORDERING.

PART NUMBERS THAT DO NOT HAVE A LINE PRESENT INDICATE THAT PHYSICAL PARTS ARE AVAILABLE FOR ORDERING.

CONTACT DELPHI SALES TO ASSURE AVAILABILITY OF PARTS.

DWG TYPE: PART DRAWING

STYLE: [Symbol]

VOLUME (C/P): [Symbol]

DISTR CODE: D

UNLESS OTHERWISE SPECIFIED THIS DOCUMENT IS IN ACCORDANCE WITH ASME Y14.5M-1994 AS AMENDED BY THE GM GLOBAL DIMENSIONING AND TOLERANCING ADDENDUM-2001. SEPARATE PATTERNS OF FEATURES MAY BE GAGED SEPARATELY REGARDLESS OF DATUM REFERENCES.

ALL DIMENSIONS ARE IN MILLIMETERS

REFERENCE: [Symbol]

THIRD ANGLE PROJECTION

DO NOT SCALE

USE MATH DATA

NX

**DELPHI**  
DELPHI PACKARD ELECTRICAL/ELECTRONIC ARCHITECTURE  
WARREN, OH  
COPYRIGHT 2006 DELPHI CORPORATION AND/OR ITS AFFILIATES. ALL RIGHTS RESERVED.

THIS DRAWING IS THE PROPERTY OF DELPHI CORPORATION AND CONTAINS DELPHI CONFIDENTIAL INFORMATION. THE REPRODUCTION, DISTRIBUTION AND UTILIZATION OF THIS DOCUMENT OR ITS RELATED CAD MATH DATA, AS WELL AS COMMUNICATION OF ANY CONTENT TO OTHERS, WITHOUT EXPRESS AUTHORIZATION, IS PROHIBITED.

DR: TERRI DAVIS  
APVD1: TERRI DAVIS  
APVD2: TERRI DAVIS  
APVD3: MICHAEL OROLOGAS  
APVD4: [Symbol]  
APVD5: [Symbol]

DATE: 27N006  
DATE: 27N006  
DATE: 28N006

DRAWING NAME: TAXI TERM M/M/P 630

DRAWING NUMBER: 12020124

SIZE: A1  
SCALE: 10:1  
FRAME NO: 1 OF 1  
SHEET NO: 1 OF 1  
STG: R  
REV: 16  
N/P: -

## X-ON Electronics

Largest Supplier of Electrical and Electronic Components

*Click to view similar products for [Automotive Connectors](#) category:*

*Click to view products by [Delphi](#) manufacturer:*

Other Similar products are found below :

[003-018-000](#) [600858](#) [60403001](#) [60993906-B](#) [60993913-B](#) [629515004020001](#) [M902-2131](#) [M902-2161](#) [M902-2344](#) [72.330.1035.1](#)  
[73.353.4028.0](#) [F118010](#) [F119300-B](#) [F132210](#) [F132210-B](#) [F166900](#) [F180100](#) [F258300](#) [F258300-B](#) [F294300-B](#) [F339100](#) [F339700](#) [F358300-](#)  
[B](#) [F374110](#) [F407400](#) [F412210](#) [F427600](#) [F444110](#) [F487000](#) [F495100-B](#) [F500900-B](#) [F509500B-B](#) [770444-1](#) [776880-1](#) [827153-1](#) [881735-1](#)  
[8N1515-32-24P](#) [9-1326729-8](#) [925467-1](#) [925474-1](#) [928905-1](#) [936398-2](#) [964562-1](#) [964562-4](#) [964731-2](#) [965051-1](#) [968782-1](#) [GT17SA-8DS-](#)  
[HU](#) [GT17VS-10DP-5.2CF](#) [98315-0001](#)