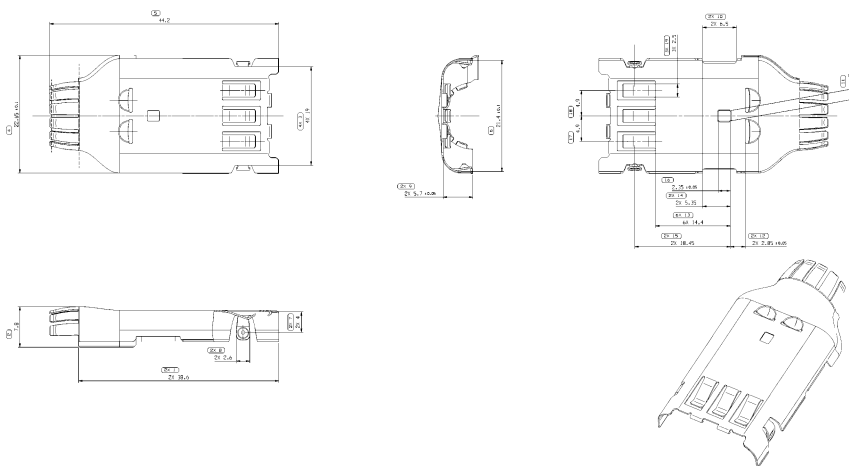
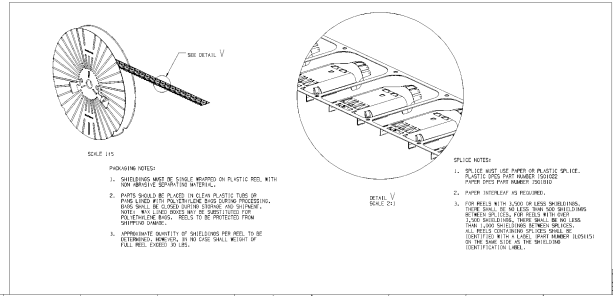


SYMBOL DESCRIPTION	NO. OF SHEETS	NO. OF SHEETS	NO. OF SHEETS
A. DIMENSIONS & TOLERANCES FOR INSPECTION PURPOSES ONLY. DIMENSIONS & TOLERANCES FOR MANUFACTURE SHALL BE CONTROLLED ON THE INDIVIDUAL COMPONENT DRAWINGS.	TOTAL NO. OF COMPONENTS REQUIRED	NO. OF SHEETS	NO. OF SHEETS
	37	37	37
	1/1	1/1	1/1



- NOTES:
1. UNLESS OTHERWISE SPECIFIED, ALL DIMENSIONS ARE TO FACE OF UNLESS OTHERWISE SPECIFIED. DIMENSIONS ARE TO BE CONTROLLED ON THE INDIVIDUAL COMPONENT DRAWINGS.
 2. PART MUST BE FREE OF BURRS, SWARF, CHIPS, LUBES OR OTHER CONTAMINANTS.
 3. NO SHARP EDGES.
 4. NO SHARP ANGLES.
 5. ALL DIMENSIONS ARE AFTER PLATING.
 6. ALL DIMENSIONS TO FACE UNLESS OTHERWISE SPECIFIED.
 7. THIS PART USED IN ASSEMBLY IDENTIFICATION PURPOSES ONLY.

REEL AND CARRIER STRIP VIEW



- PRODUCTION NOTES:
1. CARTRIDGE MUST BE MADE OF METAL OR PLASTIC WITH THE SPECIFIC DIMENSIONS SHOWN.
 2. PARTS SHOULD BE PLATED IN A PLASTIC TUBE OR PLATE TO PROTECT THEM FROM CORROSION. DIMENSIONS SHALL BE TO FACE UNLESS OTHERWISE SPECIFIED. DIMENSIONS SHALL BE TO FACE UNLESS OTHERWISE SPECIFIED.
 3. DIMENSIONS TO FACE UNLESS OTHERWISE SPECIFIED. DIMENSIONS SHALL BE TO FACE UNLESS OTHERWISE SPECIFIED.

- SPRUE NOTES:
1. THE SPRUE USE MUST BE PLASTIC OR METAL. PLASTIC SPRUE MUST BE USED UNLESS OTHERWISE SPECIFIED.
 2. PARTS INTERFERENCE IS REQUIRED.
 3. THE SPRUE IS TO BE USED IN THE SPRUE TO PROTECT THEM FROM CORROSION. DIMENSIONS SHALL BE TO FACE UNLESS OTHERWISE SPECIFIED.

SYMBOL	DESCRIPTION	QUANTITY	UNIT	REVISION	DATE	BY	CHKD

DELPHI
 A DIVISION OF GENERAL MOTORS CORPORATION
 33378759
 11/11/94

X-ON Electronics

Largest Supplier of Electrical and Electronic Components

Click to view similar products for [Automotive Connectors](#) category:

Click to view products by [Delphi](#) manufacturer:

Other Similar products are found below :

[003-018-000](#) [600858](#) [60403001](#) [60993906-B](#) [60993913-B](#) [629515004020001](#) [M902-2131](#) [M902-2161](#) [M902-2344](#) [72.330.1035.1](#)
[73.353.4028.0](#) [F118010](#) [F119300-B](#) [F132210](#) [F132210-B](#) [F166900](#) [F180100](#) [F258300](#) [F258300-B](#) [F294300-B](#) [F339100](#) [F339700](#) [F358300-](#)
[B](#) [F374110](#) [F407400](#) [F412210](#) [F427600](#) [F444110](#) [F487000](#) [F495100-B](#) [F500900-B](#) [F509500B-B](#) [770444-1](#) [776880-1](#) [827153-1](#) [881735-1](#)
[8N1515-32-24P](#) [9-1326727-8](#) [9-1326729-8](#) [925467-1](#) [925474-1](#) [928905-1](#) [936398-2](#) [964562-1](#) [964562-4](#) [964731-2](#) [965051-1](#) [968782-1](#)
[GT17SA-8DS-HU](#) [GT17VS-10DP-5.2CF](#)