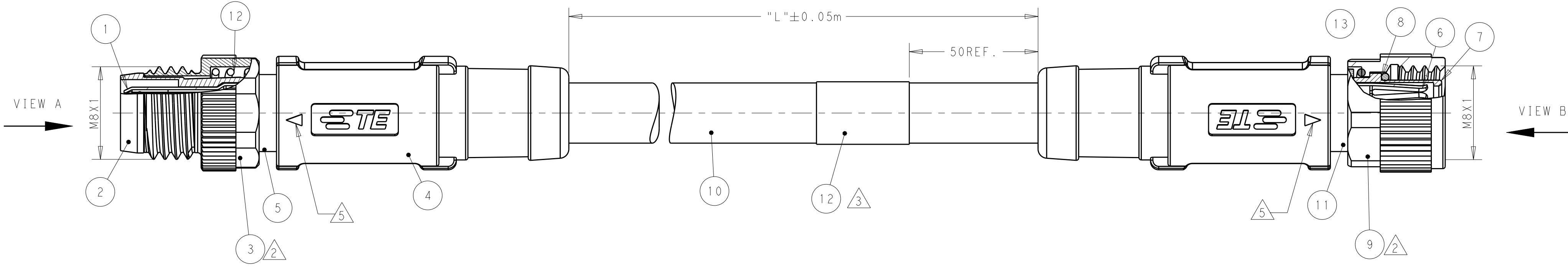


THIS DRAWING IS UNPUBLISHED. RELEASED FOR PUBLICATION 20
 © COPYRIGHT 20 BY - ALL RIGHTS RESERVED.

REVISIONS					
P	LTR	DESCRIPTION	DATE	DWN	APVD
A		INITIAL RELEASE	02MAR2016	N.P	X.X
A1		ECR-17-003823 , ADD NEW PN	20MAR2017	BP	CW



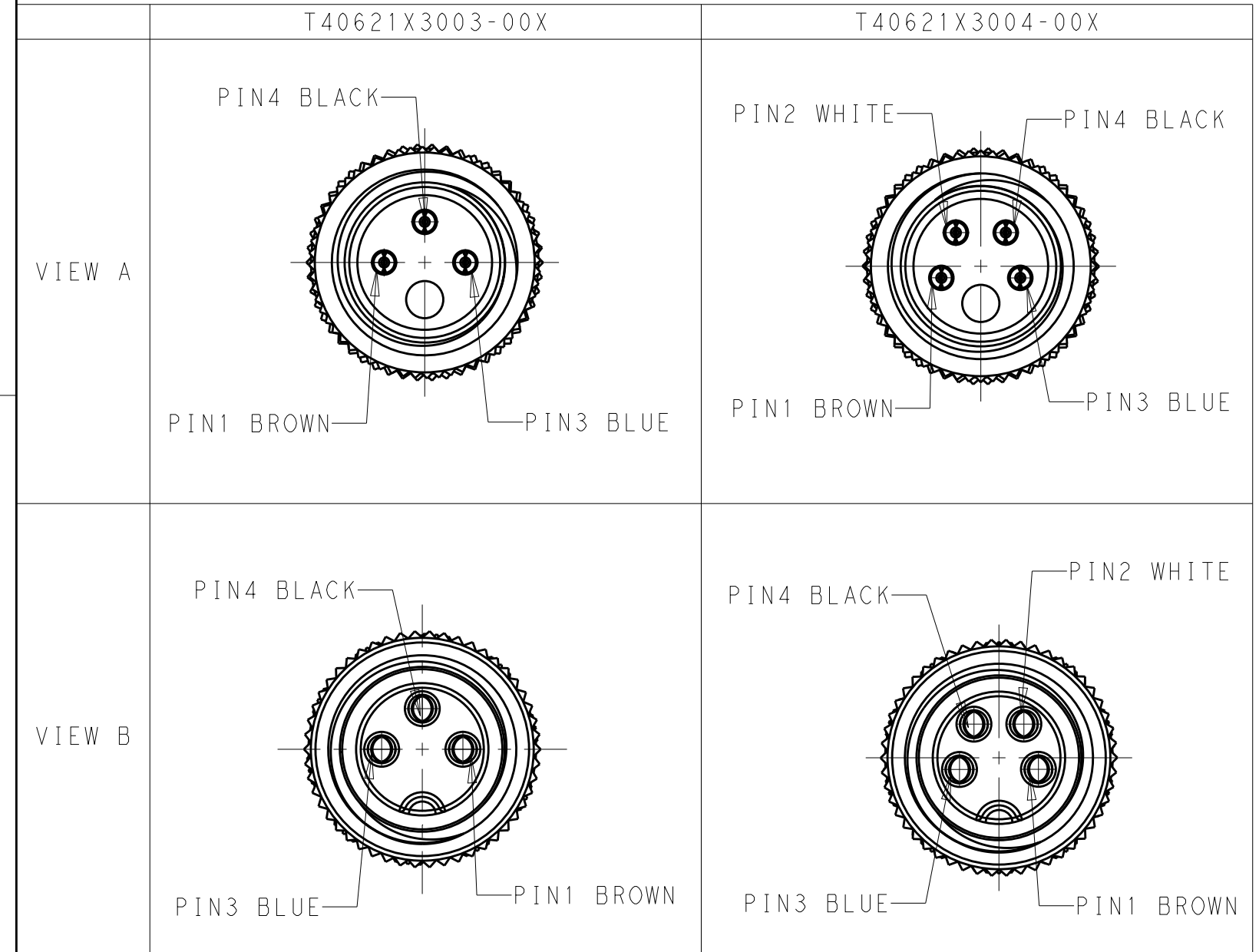
NOTES:

- | | |
|---|--|
| 1. TECHNICAL DATA: SEE TABLE 1; | 1. 技术参数: 见表1; |
| 2. RECOMMEND TORQUE 0.4Nm; | 2. 推荐扭矩0.4Nm; |
| 3. TE LABLE AREA; | 3. TE 标签位置; |
| 4. -** : CABLE LENGHT. -0.5:0.5m, -1.0:1.0m, -1.5:1.5m...; | 4. -**线长: -0.5:0.5m, -1.0:1.0m, -1.5:1.5m; |
| 5. INSERT MARK FOR MATING; | 5. 产品对插标示; |
| 6. ALL PRODUCT MUST COMPLIANCE WITH ROHS AND REACH; | 6. 产品必须符合ROHS与REACH; |
| 7. -00X: FOR CABLE LENGTH, SEE TABLE E AND REFER TO LENGH"L". | 7. -00X: 线缆长度, 参考表2, 参照长度"L". |

TABLE 1

TECHNICAL DATA	T40621X3003-00X	T40621X3004-00X
RATED VOLTAGE	60V	30V
RATED CURRENT	3A	
POLLETION DEGREE	3	
OVERVOLTAGE CATEGORY	II	
MATERIAL GROUP	II	
DEGREE OF PROTECTION	IP67	

		TE LABLE	ITEM
-	-	TE LABLE	14
-	STEEL	WAVE WASHER	13
-	STEEL	SPRING	12
-	BRASS	SHIELDING	11
-	-	CABLE	10
-	COPPER ALLOY	COUPLING NUT	9
GRAY COLOR	RUBBER	O-RING	8
BALCK COLOR	PA66	HOUSING	7
GOLD FLASH	COPPER ALLOY	CONTACT	6
-	COPPER ALLOY	SHIELDING	5
BLUE COLOR	POLYURETHANE	OVER-MOLDING	4
-	COPPER ALLOY	COUPLING NUT	3
BALCK COLOR	PA66	HOUSING	2
GOLD FLASH	COPPER ALLOY	CONTACT	1
COMMENTS	MATERIAL	DESCRIPITON	ITEM



WIRES	LENGTH "L"	RECOMMEND OPERATION TEMPERATURE FOR CABLE	JACKET COLOR	JACKET MATERIAL	TYPE	POS.	PART NUMBER
WIRES: 0.34mm ² (22AWG)	-001: 0.5m -002: 1.0m -003: 1.5m -004: 3.0m -005: 5.0m -006: 7.0m -007: 10.0m	FIXED: -25°C~80°C FLXIBLE: -10°C~80°C	GRAY	PUR (UL)	RPC-M8-4MS-***SHS0.34-M8-4FS-PUR	4	T4062143004-00X
			BLACK	PVC (UL)	RPC-M8-3MS-***SHS0.34-M8-3FS-PUR	4	T4062143003-00X
		FIXED: -10°C~80°C FLXIBLE: -5°C~80°C	GRAY	PUR (UL)	RPC-M8-4MS-***SH-M8-4FS-PUR	4	T4062123004-00X
			BLACK	PVC (UL)	RPC-M8-3MS-***SH-M8-3FS-PUR	4	T4062123003-00X
WIRES: 0.25mm ² (24AWG)		FIXED: -25°C~80°C FLXIBLE: -10°C~80°C	GRAY	PUR (UL)	RPC-M8-4MS-***SH-M8-4FS-PVC	4	T4062113004-00X
			BLACK	PVC (UL)	RPC-M8-3MS-***SH-M8-3FS-PVC	4	T4062113003-00X

THIS DRAWING IS A CONTROLLED DOCUMENT.

DIMENSIONS: mm

TOLERANCES UNLESS OTHERWISE SPECIFIED:

0 PLC	±	0.50
1 PLC	±	0.35
2 PLC	±	0.35
3 PLC	±	
4 PLC	±	
ANGLES	±	
FINISH	±	

APVD: Xiang Xu 23FEB2016

NAME: M8 CABLE ASSEMBLY SHIELDED TYPE DOUBLE ENDED

SIZE: A2

SCALE: 1:1

SHEET 1 OF 1

REV A1

X-ON Electronics

Largest Supplier of Electrical and Electronic Components

Click to view similar products for [Sensor Cables / Actuator Cables](#) category:

Click to view products by [TE Connectivity](#) manufacturer:

Other Similar products are found below :

[1300070444](#) [43-10984](#) [M83513/19-F01CP](#) [704000D02F120](#) [MDM15SH001K](#) [MDM25PH003BF222](#) [802027107404-1](#) [885030A09M010](#)
[885030A09M020](#) [1200650174](#) [1200651332](#) [1200651713](#) [1200660171](#) [1200660208](#) [1200660343](#) [1200660804](#) [1200660845](#) [1200660926](#)
[1200660977](#) [1200661173](#) [1200661354](#) [120066-1712](#) [1200720053](#) [1200720099](#) [1200720153](#) [1200720172](#) [1200720217](#) [1200720226](#)
[1200720251](#) [1200720285](#) [1200720296](#) [1200720404](#) [1200730148](#) [1200730378](#) [1200800231](#) [1200860112](#) [1200860121](#) [1200860125](#)
[1200860337](#) [1200860365](#) [1200860420](#) [1200870046](#) [1200870123](#) [1200870248](#) [1200980102](#) [1200660181](#) [1200660183](#) [1200660827](#)
[1200660849](#) [1200661170](#)