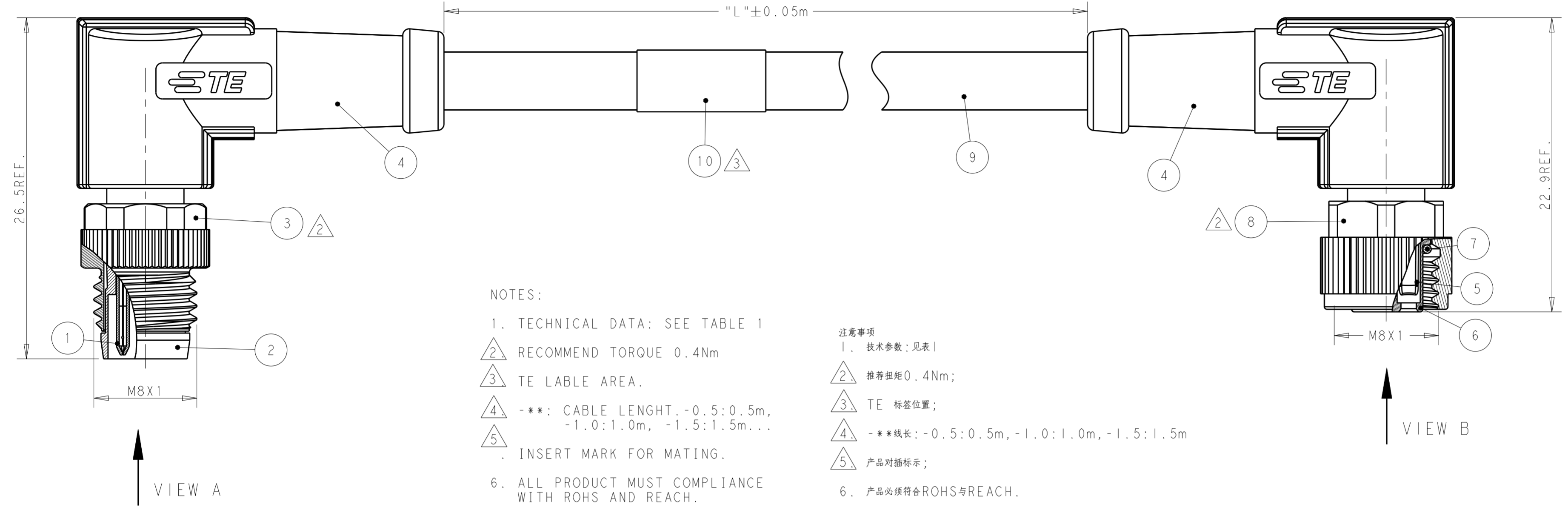


THIS DRAWING IS UNPUBLISHED. RELEASED FOR PUBLICATION 20
 © COPYRIGHT 20 BY - ALL RIGHTS RESERVED.

| REVISIONS | | | | |
|-----------|-----|-----------------|-----------|---------|
| P | LTR | DESCRIPTION | DATE | APVD |
| A | | INITIAL RELEASE | 25FEB2016 | N.P X.X |

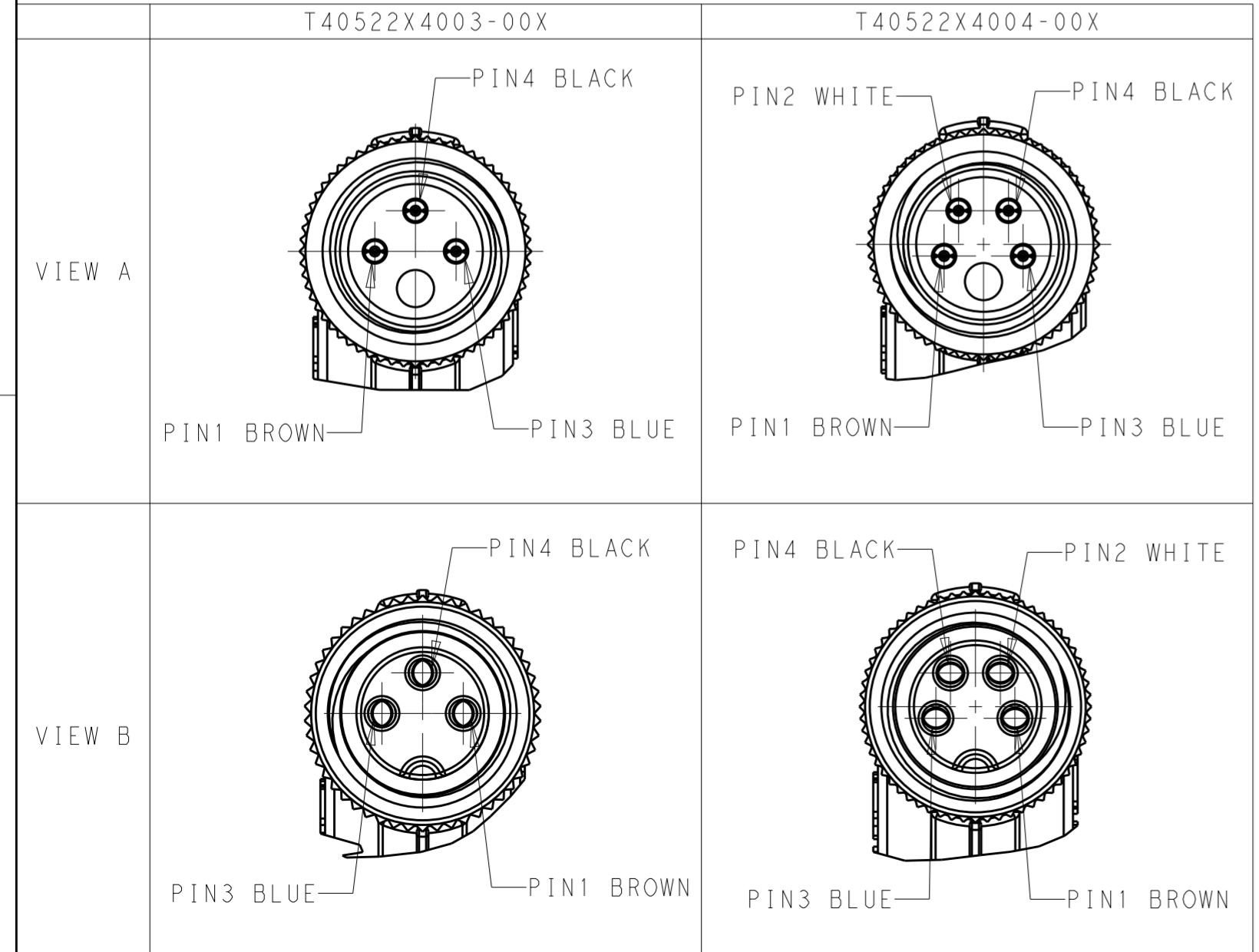


- NOTES:
1. TECHNICAL DATA: SEE TABLE 1
 2. RECOMMEND TORQUE 0.4Nm
 3. TE LABEL AREA.
 4. -** : CABLE LENGTH. -0.5:0.5m, -1.0:1.0m, -1.5:1.5m...
 5. INSERT MARK FOR MATING.
 6. ALL PRODUCT MUST COMPLIANCE WITH ROHS AND REACH.

- 注意事项
1. 技术参数：见表1
 2. 推荐扭矩0.4Nm；
 3. TE 标签位置；
 4. -** 线长：-0.5:0.5m, -1.0:1.0m, -1.5:1.5m
 5. 产品对插标示；
 6. 产品必须符合ROHS与REACH.

TABLE 1

| TECHNICAL DATA | T40522X4003-00X | T40522X4004-00X |
|----------------------|-----------------|-----------------|
| RATED VOLTAGE | 60V | 30V |
| RATED CURRENT | | 3A |
| POLLETION DEGREE | | 3 |
| OVERVOLTAGE CATEGORY | | II |
| MATERIAL GROUP | | II |
| DEGREE OF PROTECTION | | IP67 |



| ITEM | DESCRIPTION | MATERIAL | QUANTITY |
|------|--------------|-------------------------|----------|
| 10 | TE LABEL | | 10 |
| 9 | CABLE | | 9 |
| 8 | NUT | COPPER ALLOY | 8 |
| 7 | O-RING | RUBBER | 7 |
| 6 | HOUSING | PA66 | 6 |
| 5 | CONTACT | COPPER ALLOY | 5 |
| 4 | OVER-MOLDING | POLYURETHANE | 4 |
| 3 | COUPLING NUT | COPPER ALLOY | 3 |
| 2 | HOUSING | PA66 | 2 |
| 1 | CONTACT | GOLD FLASH COPPER ALLOY | 1 |

| WIRE CHARACTERISTIC | LENGTH "L" | RECOMMEND OPERATION TEMPERATURE FOR CABLE | JACKET COLOR | JACKET MATERIAL | TYPE | POS. | PART NUMBER |
|------------------------------------|-------------|---|--------------|-----------------|--------------------------|------|-----------------|
| WIRES: 0.25mm ² (24AWG) | -001: 0.5m | FIXED: -25°C~80°C FLXIBLE: -10°C~80°C | GRAY | PUR (UL) | RPC-M8-4MR-**-M8-4FR-PUR | 4 | T4052224004-00X |
| | -002: 1.0m | | | | RPC-M8-3MR-**-M8-3FR-PUR | 3 | T4052224003-00X |
| | -003: 1.5m | | | | RPC-M8-4MR-**-M8-4FR-PVC | 4 | T4052214004-00X |
| | -004: 3.0m | FIXED: -10°C~80°C FLXIBLE: -5°C~80°C | BLACK | PVC (UL) | RPC-M8-4MR-**-M8-4FR-PVC | 4 | T4052214004-00X |
| | -005: 5.0m | | | | RPC-M8-3MR-**-M8-3FR-PVC | 3 | T4052214003-00X |
| | -006: 7.0m | | | | | | |
| | -007: 10.0m | | | | | | |

THIS DRAWING IS A CONTROLLED DOCUMENT.

DIMENSIONS: mm

TOLERANCES UNLESS OTHERWISE SPECIFIED:

| | | |
|-------|-------|--|
| 0 PLC | ± | |
| 1 PLC | ±0.50 | |
| 2 PLC | ±0.35 | |
| 3 PLC | ± | |
| 4 PLC | ± | |

ANGLES: ±

FINISH: -

MATERIAL: TBD

finish_spec_2

APVD: Nick Pan 25FEB2016

CHK: Kobby Zhao 25FEB2016

APVD: Xiang Xu 25FEB2016

PRODUCT SPEC: 108-106140

APPLICATION SPEC: -

WEIGHT: -

CUSTOMER DRAWING

SCALE: 1:1

SHEET: 1 OF 1

REV: A

NAME: M8 CABLE ASSEMBLY UNSHIELDED DOUBLE ENDED TYPE

DRAWING NO: C-T40522X400X00X

X-ON Electronics

Largest Supplier of Electrical and Electronic Components

Click to view similar products for [Sensor Cables / Actuator Cables](#) category:

Click to view products by [TE Connectivity](#) manufacturer:

Other Similar products are found below :

[1300070444](#) [43-10984](#) [M83513/19-F01CP](#) [704000D02F120](#) [MDM15SH001K](#) [MDM25PH003BF222](#) [802027107404-1](#) [885030A09M010](#)
[885030A09M020](#) [1200650174](#) [1200651332](#) [1200651713](#) [1200660171](#) [1200660208](#) [1200660343](#) [1200660804](#) [1200660845](#) [1200660926](#)
[1200660977](#) [1200661173](#) [1200661354](#) [120066-1712](#) [1200720053](#) [1200720099](#) [1200720153](#) [1200720172](#) [1200720217](#) [1200720226](#)
[1200720251](#) [1200720285](#) [1200720296](#) [1200720404](#) [1200730148](#) [1200730378](#) [1200800231](#) [1200860112](#) [1200860121](#) [1200860125](#)
[1200860337](#) [1200860365](#) [1200860420](#) [1200870046](#) [1200870123](#) [1200870248](#) [1200980102](#) [1200660181](#) [1200660183](#) [1200660827](#)
[1200660849](#) [1200661170](#)