

DO NOT SCALE FROM THIS PRINT

DIMENSIONS ARE IN INCHES		UNLESS OTHERWISE NOTED		TOLERANCES ARE:		TITLE:	DWG NO:
ONE PLACE DECIMALS ±.1[2.5]	THREE PLACE DECIMALS ±.005[.13]	ANGLES	± 3°			1mm x 1mm CENTERLINE SURFACE MOUNT BOARD STACKER ASSEMBLY	MW-XX-03-X-D-XXX-XXX-XX
TWO PLACE DECIMALS ±.01[.3]	FOUR PLACE DECIMALS ±.0020[.051]						SHEET 1 OF 3

"A" RANGE	BODY STYLE		FIG.
	UPPER	LOWER	
.095 - .129 [2.41 - 3.28]	FTM-50-D	FTM-50-D	2
.130 - .245 [3.30 - 6.22]	FTMH-XX-D	MW-XX-D	1

SEE NOTES 5 & 6

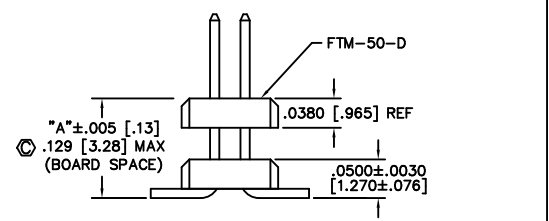
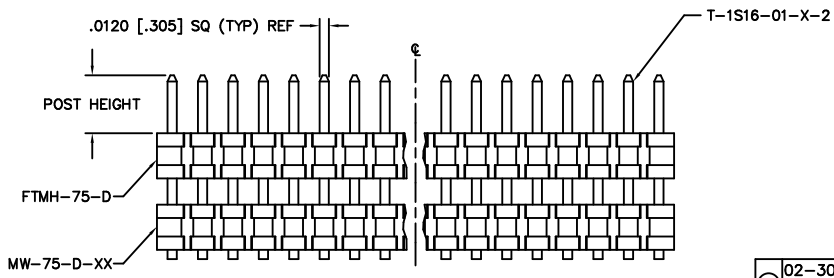
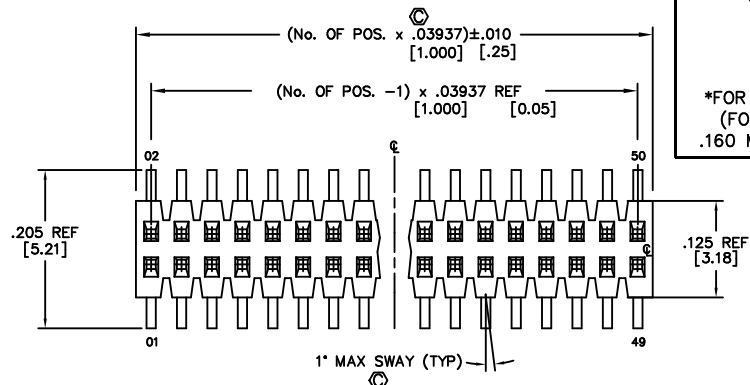
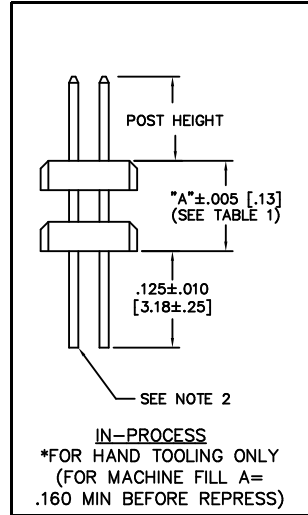


FIG. 2 (DIFFERENT AS SHOWN, OTHERWISE SAME AS FIGURE 1)

- MW-XX-03-X-D-XXX-XXX-XX
- NO. OF POSITIONS -02 THRU -50 (PER ROW)
 - LEAD STYLE USE T-1S16-01-X-2 (SEE NOTE 7)
 - PLATING
 - F: 3μ" SELECTIVE GOLD IN CONTACT AREA, MATTE TIN ON TAIL (USE T-1S16-01-F-2)
 - L: 10μ" SELECTIVE GOLD IN CONTACT AREA, MATTE TIN ON TAIL (USE T-1S16-01-L-2)
 - G: 10μ" GOLD IN CONTACT AREA, 3μ" GOLD ON TAIL (USE T-1S16-01-G-2)
 - H: 30μ" GOLD IN CONTACT AREA, 3μ" GOLD ON TAIL (USE T-1S16-01-H-2)
 - ROW OPTION
 - D: DOUBLE (SEE TABLE 1 FOR BODY)
 - BOARD SPACE OPTION
 - *A: .245 [6.22] MAX w/ .065 [1.65] POST, .095 [2.41] MIN.
 - POST HEIGHT
 - .085 [1.65] MIN (POST + BOARD SPACE= .310 [7.87] MAX)
 - OPTION
 - P: PICK & PLACE PAD (SEE SHT 2, FIG 3, USE PPP-30) (7 POS PER ROW MIN) (USE PPP-30-NIT FOR -TR ONLY)
 - ES: END SHROUDS (9 POS PER ROW MIN) (SEE SHT 2, FIG 4) (MAX POST: .075 [1.91]) (SEE NOTE 8)
 - EP: GUIDE POST (9 POS PER ROW MIN) (SEE SHT 2, FIG 5) (MAX POST: .075 [1.91]) (SEE NOTE 8)
 - A: ALIGNMENT PINS (MOLDED OR STAKED, SAMTEC'S DISCRETION ON WHICH)(SEE FIGS 6 & 7, SHT 3) (STAKED: 7 POS MIN, 60 POS MAX) (MOLDED: 5 POS MIN, 75 POS MAX) (SEE NOTE 8)
 - TR: TAPE & REEL (ALL POSITIONS) (MAX HEIGHT: .6875)

- NOTES:
- PARTS MAY BE CUT TO POSITION; .010 MAX CUT FLASH.
 - SHEAR TAILS TO DIMENSION SHOWN; .003 MAX BURR. (FOR HAND TOOLING ONLY)
 - C REPRESENTS A CRITICAL DIMENSION
 - PACKAGE POSITIONS 05 THROUGH 50 IN TUBES; LAYER PACKAGE POSITIONS 02 THROUGH 04.
 - HAND ASSEMBLED PARTS TO BE 2 BLACK BODIES AND MACHINE ASSEMBLED TO BE TOP-BLACK BOTTOM; NATURAL. BOARD SPACE .130-.245. BOARD SPACE .095-.129 WILL HAVE BLACK FTM BODY.
 - FOR HAND FILL, USE FTMH-XX-D FOR LOWER BODY.
 - FOR MACHINE FILLED, USE T-1S16-03-X-2.
 - AVAILABLE ONLY WITH BOARD SPACE .130 TO .245.
 - .75 POSITION AVAILABLE FOR SAMTEC INVENTORY ONLY.
 - FOR ADDED MECHANICAL STABILITY, SAMTEC RECOMMENDS MECHANICAL BOARD SPACERS BE USED IN APPLICATIONS WITH GOLD OR SELECTIVE GOLD PLATED CONNECTORS. CONTACT IPG@SAMTEC.COM FOR MORE INFORMATION.

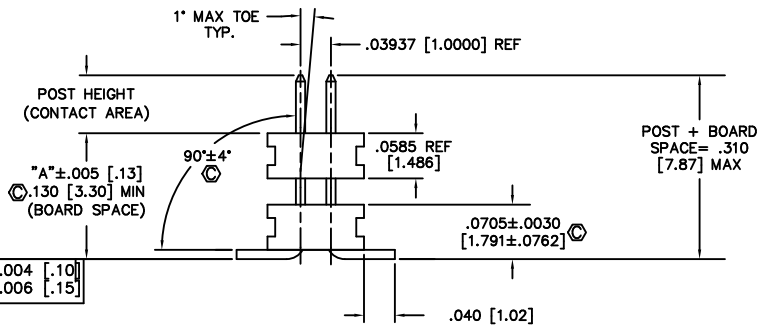


FIG. 1

PROPRIETARY NOTE
THIS DOCUMENT CONTAINS INFORMATION OF A PROPRIETARY NATURE AND IS THE PROPERTY OF SAMTEC CORPORATION. IT IS TO BE USED ONLY FOR THE PURPOSES AND IN THE MANNER SPECIFICALLY AUTHORIZED BY SAMTEC CORPORATION.

MATERIALS:
FTM-50-D & FTMH-75-D LIQUID CRYSTAL POLYMER
COLOR: BLACK
MW-75-D-XX LIQUID CRYSTAL POLYMER
COLOR: NATURAL
TERMINAL: PHOS BRONZE
MAX FLASH ALLOWED: .002 [.05]
MAX GATE VESTIGE ALLOWED: .002 [.05]

EXP/PROD/ASSEMBLY/mm MW-ASB

samtec

520 PARK EAST BLVD. NEW ALBANY, INDIANA 47150
PHONE (812) 944-6733 P.O. BOX 1147
CODE 55322

MADE BY: BRATCHER 4-3-95

MW-XX-03-X-D-XXX-XXX-XX
SHEET 1 OF 3

X-ON Electronics

Largest Supplier of Electrical and Electronic Components

Click to view similar products for [Board to Board & Mezzanine Connectors](#) category:

Click to view products by [Samtec](#) manufacturer:

Other Similar products are found below :

[10135583-642402LF](#) [89885-310LF](#) [589158040000018](#) [6-1393048-0](#) [68683-613](#) [MDF7-12DP-2.54DSA](#) [MDF7-18P-2.54DSA\(01\)](#) [MDF7-20DP-2.54DSA](#) [MDF7-26D-2.54DSA\(55\)](#) [MDF7-3P-2.54DSA\(01\)](#) [MDF7B-3P-2.54DSA\(55\)](#) [MDF7C-11P-2.54DSA\(55\)](#) [MDF7C-18P-2.54DSA\(55\)](#) [MDF7C-5P-2.54DSA\(01\)](#) [MDF7P-5P-2.54DSA\(55\)](#) [75234-0516](#) [FCN-230C068-11](#) [FCN-268F012-G/BD](#) [FCN-268F036-G/BD](#) [FCN-268M012-G/0D](#) [FCN-268M024-G/1D](#) [FCN-360C008-C](#) [FCN-360C040-C](#) [FCN-723J004/1](#) [MIS-048-01-F-D-DP-K](#) [832-10-034-10-001000](#) [93696-325LF](#) [11828-1FA](#) [AXK630345P](#) [18097-0013](#) [ICA-328STT](#) [2007042-2](#) [304400-2](#) [FCN-214Q030-G/0](#) [FCN-215Q040-G/0](#) [FCN-230C068-ESA](#) [FCN-234P048-G/0](#) [FCN-235D050-G/C](#) [FCN-360A3](#) [FCN-360C040-B](#) [210-93-314-41-105000](#) [2-22603-0](#) [379-064-521-202](#) [MDF7-12P-2.54DSA\(01\)](#) [MDF7-16P-2.54DS\(56\)](#) [MDF7-40DP-2.54DSA\(55\)](#) [MDF7-8P-2.54DSA\(55\)](#) [MDF7B-16P-2.54DSA\(55\)](#) [AXG720047](#) [5031084030](#)