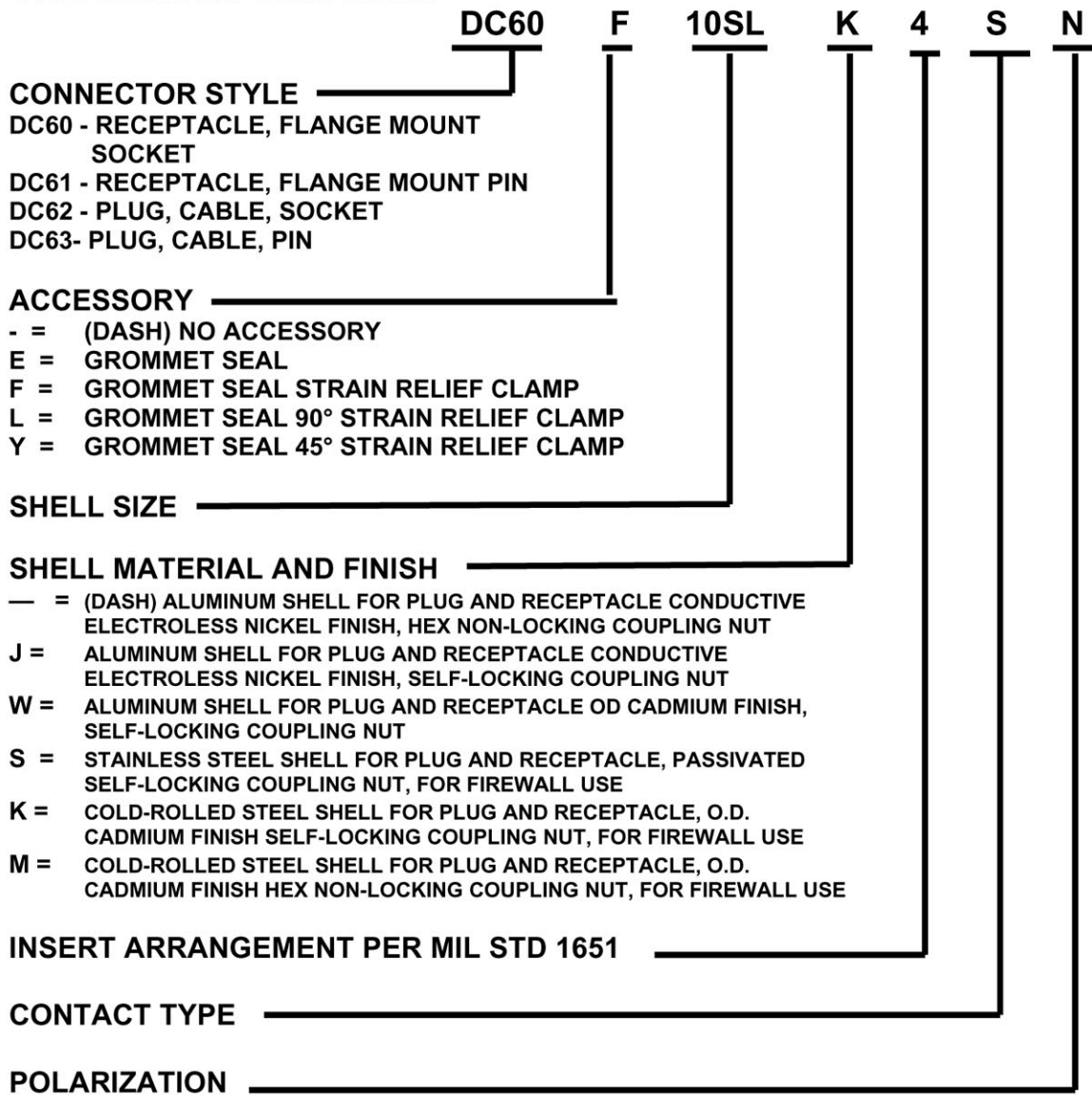




# MIL-C-5015 REAR RELEASE

## DC60 SERIES BAN 7025 (PER MIL-C-5015)

### ORDERING INFORMATION





## MIL-C-5015 REAR RELEASE

### GENERAL PERFORMANCE (WHEN TESTED TO MIL-C-5015)

<b>OPERATING TEMPERATURE ENVIRONMENTAL</b>	-55° TO + 200° C (67° TO + 392° F) MEETS THE ALTITUDE IMMERSION REQUIREMENTS OF MIL-C-5015
<b>DURABILITY</b>	MEETS MATING AND UNMATING PARAMETERS OF MIL-C-5015
<b>SHOCK VIBRATIONS (RANDOM)</b>	50G'S - ONE SHOCK IN EACH AXIS MIL-STD 202, METHOD 214, COND II J. 125° C TO 55° C FLUID RESISTANCE 12 BASIC FLUIDS TO INCLUDE 1. HYDRAULIC FLUIDS PER MIL-H-5606 2. SKYDROL (LD) 3. LUBRICATING OIL PER MIL-L-7808 MIL-L-2 3699 4. JET ENGINE FUEL PER MIL-T-5324 (JP-5)
<b>SHELL TO SHELL CONDUCTIVITY CORROSION RESISTANCE</b>	.05 ohm MAXIMUM PERFORMANCE MEETS OR EXCEEDS SALT SPRAY TEST REQUIREMENTS FOR 48 HOURS EXPOSURE (CLASS L & W). ALL J-TECH CONNECTORS CLASS "W" CONNECTORS WILL EXCEED THE SALT SPRAY REQUIREMENTS TO 500 HOURS EXPOSURE.

### VOLTAGE RATING

ALTITUDE		SERVICE RATING					
FT	M	INST.	A	D	E	B	C
SEA LEVEL	—	1000	2000	2800	3500	4500	7000
70,000	21,326	260	360	400	440	480	560

### CONTACT CURRENT RATING AND RETENTION

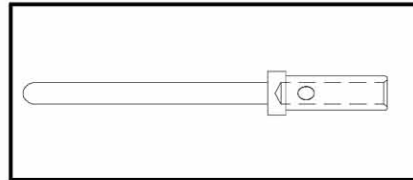
CONTACT SIZE	CURRENT RATING	CONTACT RESISTANCE	CONTACT RETENTION AXIAL LOA	
	AMPERE MAX	VOLTAGE DROP MILLIVOLTS	LBS.	NEWTONS
16	13	45	25	111.2
12	23	38	30	133.4
8	46	24	50	222.4
4	80	21	60	266.9
0	150	19	75	333.6

1. CONTACT RESISTANCE WITH SILVER PLATED WIRE @ 25° C



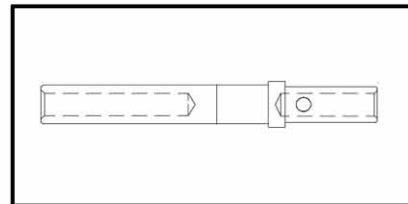
## MIL-C-5015 REAR RELEASE

### PIN CONTACTS



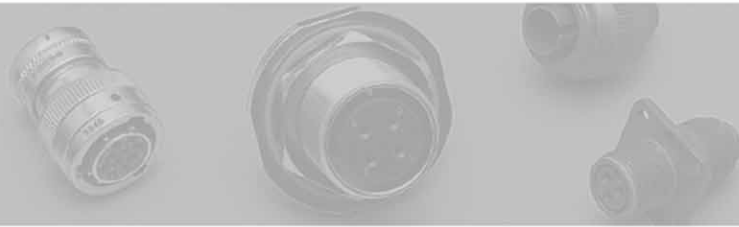
CONTACT SIZE	WIRE RANGE		PIN CONTACTS		COLOR CODES			BIN CODE
	AWG	MM	MILITARY P/	J-TECH P/N	FIRST	SECOND	THIRD	
16	20-16	.05-1.4	M39029/29-212	541-110-1616	RED	BROWN	RED	212
12	12-14	2.0-3.0	M39029/29-213	541-220-1212	RED	BROWN	ORANGE	213
8	10-8	5.0-8.5	M39029/29214	541-220-0808	RED	BROWN	YELLOW	214
4	6-4	13-21	M39029/29-215	541-220-0404	RED	BROWN	GREEN	215
0	2-0	34-60	M39029/29-216	541-220-0101	RED	BROWN	BLUE	216

### SOCKET CONTACTS



CONTACT SIZE	WIRE RANGE		PIN CONTACTS		COLOR CODES			BIN CODE
	AWG	MM	MILITARY P/	J-TECH P/N	FIRST	SECOND	THIRD	
16S	20-16	.05-1.4	M39029/30-217	542-110-1616S	RED	BROWN	VIOLET	217
16	20-16	.05-1.4	M39029/30-218	542-110-1616	RED	BROWN	GRAY	218
12	12-14	2.0-3.0	M39029/30-219	542-220-1212	RED	BROWN	WHITE	219
8	10-8	5.0-8.5	M39029/30-220	542-220-0808	RED	RED	BLACK	220
4	6-4	13-21	M39029/30-221	542-220-0404	RED	RED	BROWN	221
0	2-0	34-60	M39029/30-222	542-220-0101	RED	RED	RED	222

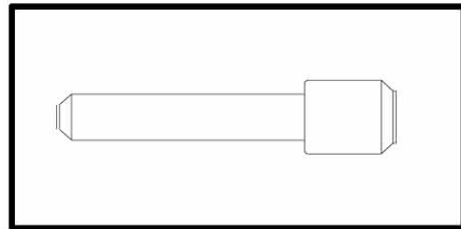
- 
- 16S SHORTER ENGAGEMENT END FOR SHORT INSERTS (S OR SL)
- CONNECTORS FOR 0, 8, 12 CONTACTS USE MS3348 CRIMP ADAPTERS TO ACCOMMODATE SMALLER WIRE AWG
- CONTACTS COME WITH EITHER COLOR CODE BANDS OR WITH BIN CODES STAMPED ON BARREL



## MIL-C-5015 REAR RELEASE

### SEALING PLUGS

CONTACT SIZE	SEALING PLUGS	
	MILITARY P/N	J-TECH P/N
16S	MS27488-16	022-001-0016
16	MS27488-16	022-001-0016
12	MS27488-12	022-001-0012
8	MS27488-8	022-001-0008
4	MS27488-4	022-001-0004
0	MS27488-0	022-001-0001

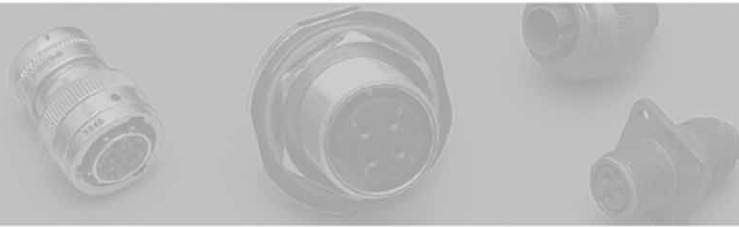


### CRIMP TOOLS

CONTACT SIZE	WIRE RANGE		FINISHED WIRE DIAMETER		CRIMP TOOL	TURRET OR POSITIONER
	AWG	MM	INCHES	MM		
16S	20-16	.05-1.4	.053-.103	1.34-2.62	M22520/1-01	M22520/1-02
16	20-16	.05-1.4	.053-.103	1.34-2.62	M22520/1-01	M22520/1-02
12	12-14	2.0-3.0	.085-.158	2.15-4.01	M22520/1-01	M22520/1-02
8	10-8	5.0-8.5	.132-.255	3.35-6.48	M22520/23-01	M22520/23-02
4	6-4	13-21	.237-.370	6.01-9.40	M22520/23-01	M22520/23-02
0	2-0	34-60	.360-.550	9.14-13.97	M22520/23-01	M22520/23-02

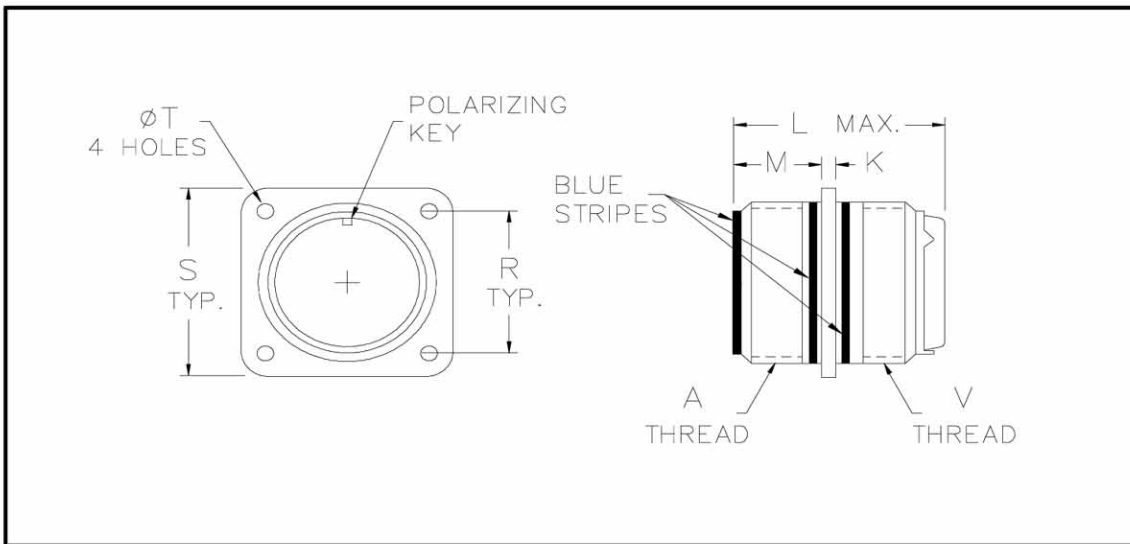
### INSERTION/EXTRACTION TOOLS

CONTACT SIZE	COLOR CODE	MILITARY PART NUMBER
16	BLUE/WHITE	M81969/14-03
12	YELLOW/WHITE	M81969/14-04
8	RED	M81969/14-06
4	BLUE	M81969/14-07
0	YELLOW	M81969/14-08



## MIL-C-5015 REAR RELEASE

### MS3450 SERIES RECEPTACLE WALL MOUNT CLASS K, L, W



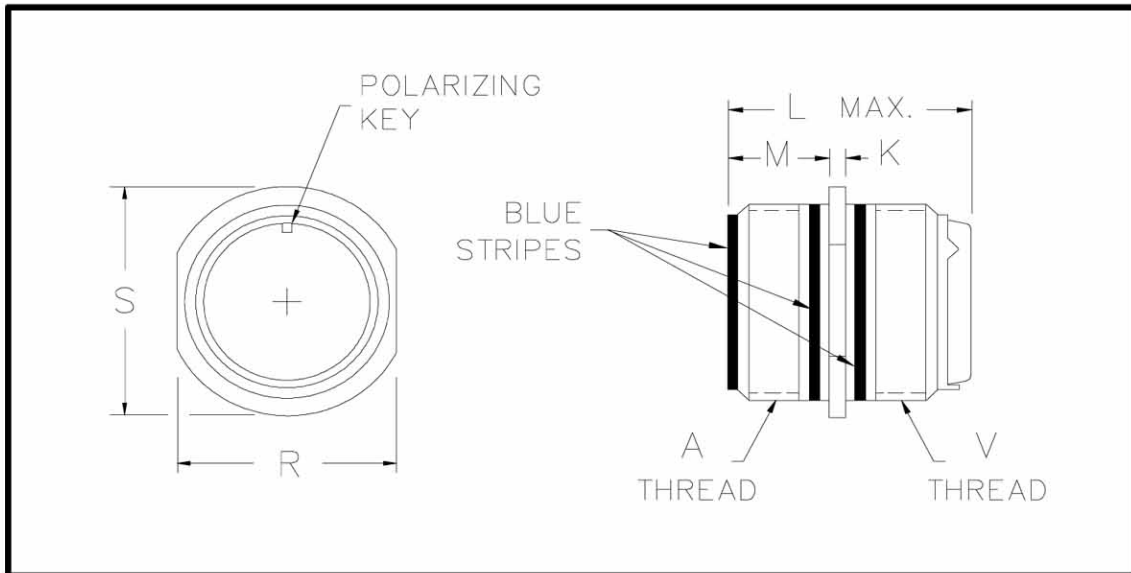
SHELL SIZE	A THREAD CLASS 2A	K ± .015 (±0.38)	L MAX.		M + .031-.000 (+0.79)(- 0.00)	R T.P. C <sub>L</sub> - C <sub>L</sub>	S ± .031 (± 0.79)	T + .010 - .005 (+.25 - 0.13)		V THREAD CLASS 2A
			CONTACT SIZE					CLASS L, W	CLASS K	
			16 & 12	8, 4 & 0						
8S	1/2-28 UNEF	.083 (2.11)	2.031 (51.59)	—	.562 (14.27)	.594 (15.09)	.875 (22.22)	.120 (3.05)	.150 (3.81)	1/2-20UNF
10S	5/8-24 UNEF	.083 (2.11)	2.031 (51.59)	—	.562 (14.27)	.719 (18.26)	1.000 (25.48)	.120 (3.05)	.150 (3.81)	5/8-24 UNEF
10SL	5/8-24 UNEF	.083 (2.11)	2.031 (51.59)	—	.562 (14.27)	.719 (18.26)	1.000 (25.48)	.120 (3.05)	.150 (3.81)	5/8-24 UNEF
12S	3/4-20 UNEF	.083 (2.11)	2.031 (51.59)	—	.562 (14.27)	.812 (20.62)	1.094 (27.79)	.120 (3.05)	.150 (3.81)	3/4-20 UNEF
12	3/4-20 UNEF	.083 (2.11)	2.125 (53.98)	—	.750 (19.05)	.812 (20.62)	1.094 (27.79)	.120 (3.05)	.150 (3.81)	3/4-20 UNEF
14S	7/8-20 UNEF	.083 (2.11)	2.031 (51.59)	—	.562 (14.27)	.906 (23.01)	1.188 (30.18)	.120 (3.05)	.150 (3.81)	7/8-20 UNEF
14	7/8-20 UNEF	.083 (2.11)	2.125 (53.98)	—	.750 (19.05)	.906 (23.01)	1.188 (30.18)	.120 (3.05)	.150 (3.81)	7/8-20 UNEF
16S	1-20 UNEF	.083 (2.11)	2.031 (51.59)	2.500 (63.50)	.562 (14.27)	.906 (23.01)	1.281 (32.54)	.120 (3.05)	.150 (3.81)	1-20 UNEF
16	1-20 UNEF	.083 (2.11)	2.125 (53.98)	2.500 (63.50)	.750 (19.05)	.906 (23.01)	1.281 (32.54)	.120 (3.05)	.150 (3.81)	1-20 UNEF
18	1 1/8-18 UNEF	.125 (3.18)	2.125 (53.98)	2.500 (63.50)	.750 (19.05)	1.062 (26.97)	1.375 (34.93)	.120 (3.05)	.177 (4.50)	1 1/16-18 UNEF
20	1 1/4-18 UNEF	.125 (3.18)	2.125 (53.98)	2.500 (63.50)	.750 (19.05)	1.156 (29.35)	1.500 (38.10)	.120 (3.05)	.177 (4.50)	1 3/16-18 UNEF
22	1 3/8-18 UNEF	.125 (3.18)	2.125 (53.98)	2.500 (63.50)	.750 (19.05)	1.25 (31.75)	1.625 (41.28)	.120 (3.05)	.177 (4.50)	1 5/16-18 UNEF
24	1 1/2-18 UNEF	.125 (3.18)	2.125 (53.98)	2.500 (63.50)	.812 (20.62)	1.375 (34.93)	1.750 (44.45)	.147 (3.73)	.177 (4.50)	1 7/16-18 UNEF
28	1 3/4-18 UNS	.125 (3.18)	2.125 (53.98)	2.500 (63.50)	.812 (20.62)	1.562 (39.67)	2.000 (50.80)	.147 (3.73)	.177 (4.50)	1 3/4-18 UNS
32	2-18 UNS	.125 (3.18)	2.125 (53.98)	2.500 (63.50)	.875 (22.23)	1.750 (44.45)	2.250 (57.15)	.147 (3.73)	2.09 (5.31)	2-18 UNS
36	2 1/4-16 UN	.125 (3.18)	2.125 (53.98)	2.500 (63.50)	.875 (22.23)	1.988 (49.23)	2.500 (63.50)	.173 (4.39)	2.09 (5.31)	2 1/4-16 UN
40	2 1/2-16 UN	.125 (3.18)	2.125 (53.98)	2.500 (63.50)	.875 (22.23)	2.188 (55.58)	2.750 (69.85)	.173 (4.39)	2.09 (5.31)	2 1/2-16 UN





## MIL-C-5015 REAR RELEASE

### MS3451 SERIES RECEPTACLE IN-LINE CLASS K, L & W

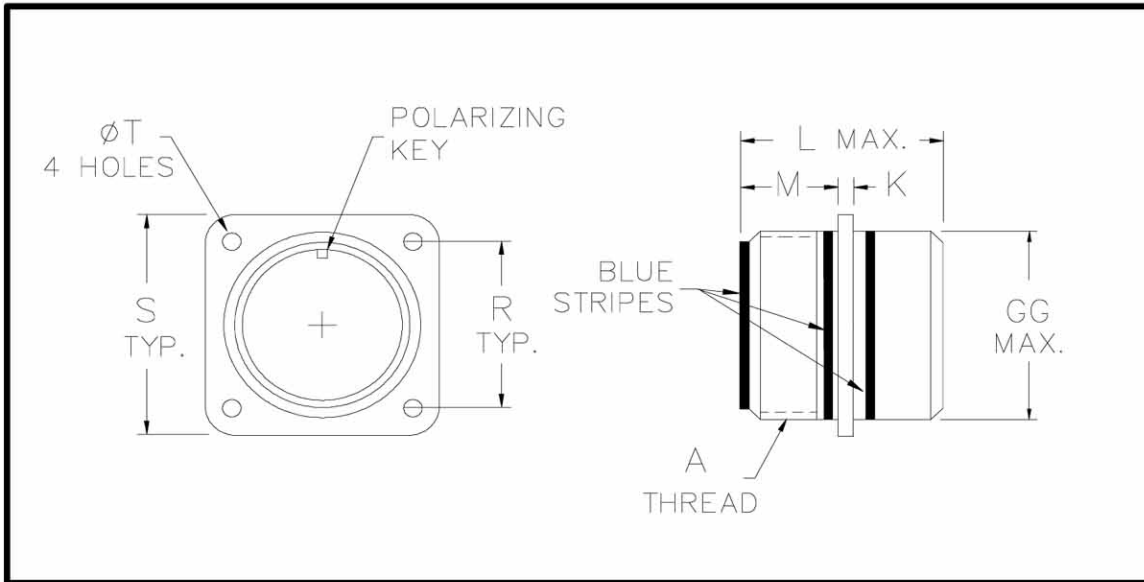


SHELL SIZE	A THREAD CLASS 2A	K ± .015 (±0.38)	L MAX.		M + .031-0.00 (+0.79)(- 0.00)	R ± .004 (±0.10)	S ± .031 (± 0.79)	V THREAD CLASS 2A
			CONTACT SIZE					
			16 & 12	8, 4 & 0				
8S	1/2-28 UNEF	.083 (2.11)	2.031 (51.59)	—	.562 (14.27)	.500 (12.70)	.729 (18.52)	1/2-20UNF
10S	5/8-24 UNEF	.083 (2.11)	2.031 (51.59)	—	.562 (14.27)	.625 (15.88)	.854 (21.69)	5/8-24 UNEF
10SL	5/8-24 UNEF	.083 (2.11)	2.031 (51.59)	—	.562 (14.27)	.625 (15.88)	.854 (21.69)	5/8-24 UNEF
12S	3/4-20 UNEF	.083 (2.11)	2.031 (51.59)	—	.562 (14.27)	.750 (19.05)	.974 (24.74)	3/4-20 UNEF
12	3/4-20 UNEF	.083 (2.11)	2.125 (53.98)	—	.750 (19.05)	.750 (19.05)	.974 (24.74)	3/4-20 UNEF
14S	7/8-20 UNEF	.083 (2.11)	2.031 (51.59)	—	.562 (14.27)	.875 (22.23)	1.099 (27.91)	7/8-20 UNEF
14	7/8-20 UNEF	.083 (2.11)	2.125 (53.98)	—	.750 (19.05)	.875 (22.23)	1.099 (27.91)	7/8-20 UNEF
16S	1-20 UNEF	.083 (2.11)	2.031 (51.59)	2.500 (63.50)	.562 (14.27)	1.000 (25.40)	1.224 (31.09)	1-20 UNEF
16	1-20 UNEF	.083 (2.11)	2.125 (53.98)	2.500 (63.50)	.750 (19.05)	1.000 (25.40)	1.224 (31.09)	1-20 UNEF
18	1 1/8-18 UNEF	.125 (3.18)	2.125 (53.98)	2.500 (63.50)	.750 (19.05)	1.131/1.121(28.73/28.47)	1.349 (34.26)	1 1/16-18 UNEF
20	1 1/4-18 UNEF	.125 (3.18)	2.125 (53.98)	2.500 (63.50)	.750 (19.05)	1.256/1.246(31.90/31.65)	1.474 (37.44)	1 3/16-18 UNEF
22	1 3/8-18 UNEF	.125 (3.18)	2.125 (53.98)	2.500 (63.50)	.750 (19.05)	1.381/1.371(35.08/34.82)	1.599 (40.61)	1 5/16-18 UNEF
24	1 1/2-18 UNEF	.125 (3.18)	2.125 (53.98)	2.500 (63.50)	.812 (20.62)	1.506/1.496(38.25/38.00)	1.715 (43.50)	1 7/16-18 UNEF
28	1 3/4-18 UNS	.125 (3.18)	2.125 (53.98)	2.500 (63.50)	.812 (20.62)	1.756/1.746(44.60/44.35)	1.974 (50.14)	1 3/4-18 UNS
32	2-18 UNS	.125 (3.18)	2.125 (53.98)	2.500 (63.50)	.875 (22.23)	2.007/1.996(50.98/50.70)	2.224 (56.49)	2-18 UNS
36	2 1/4-16 UN	.125 (3.18)	2.125 (53.98)	2.500 (63.50)	.875 (22.23)	2.257/2.246(57.33/57.05)	2.474 (62.84)	2 1/4-16 UN
40	2 1/2-16 UN	.125 (3.18)	2.125 (53.98)	2.500 (63.50)	.875 (22.23)	2.511/2.496(63.78/63.40)	2.724 (69.19)	2 1/2-16 UN



## MIL-C-5015 REAR RELEASE

### MS3452 SERIES RECEPTACLE, BOX MOUNT

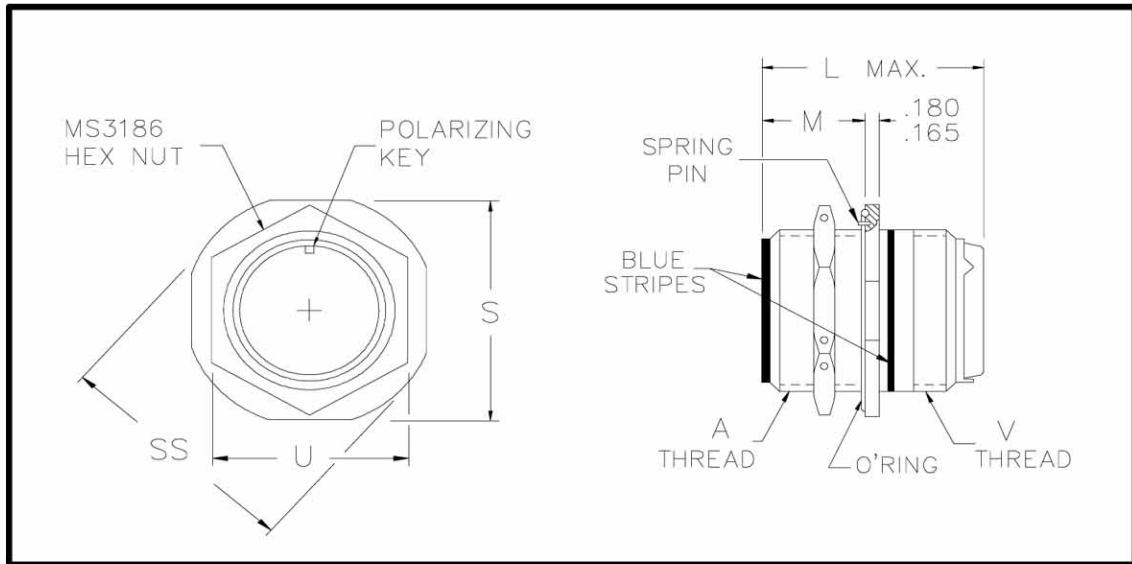


SHELL SIZE	A THREAD CLASS 2A	GG ± .016 (±0.41)	K ± .015 (±0.38)	L MAX.		M + .031-.000 (+0.79)(- 0.00)	R T.P. C <sub>L</sub> - C <sub>L</sub>	S ± .031 (± 0.79)	T + .010/- .005 (+0.25/-0.13)
				CONTACT SIZE					
				16 & 12	8, 4 & 0				
8S	1/2-28 UNEF	.500 (12.70)	.083 (2.11)	1.662 (42.21)	—	.562 (14.27)	.594 (15.09)	.875 (22.22)	.120 (3.05)
10S	5/8-24 UNEF	.625 (15.88)	.083 (2.11)	1.662 (42.21)	—	.562 (14.27)	.719 (18.26)	1.000 (25.48)	.120 (3.05)
10SL	5/8-24 UNEF	.625 (15.88)	.083 (2.11)	1.662 (42.21)	—	.562 (14.27)	.719 (18.26)	1.000 (25.48)	.120 (3.05)
12S	3/4-20 UNEF	.750 (19.05)	.083 (2.11)	1.662 (42.21)	—	.562 (14.27)	.812 (20.62)	1.094 (27.79)	.120 (3.05)
12	3/4-20 UNEF	.750 (19.05)	.083 (2.11)	1.662 (42.21)	—	.750 (19.05)	.812 (20.62)	1.094 (27.79)	.120 (3.05)
14S	7/8-20 UNEF	.875 (22.23)	.083 (2.11)	1.662 (42.21)	—	.562 (14.27)	.906 (23.01)	1.188 (30.18)	.120 (3.05)
14	7/8-20 UNEF	.875 (22.23)	.083 (2.11)	1.662 (42.21)	—	.750 (19.05)	.906 (23.01)	1.188 (30.18)	.120 (3.05)
16S	1-20 UNEF	1.000 (25.40)	.083 (2.11)	1.662 (42.21)	1.937 (49.20)	.562 (14.27)	.906 (23.01)	1.281 (32.54)	.120 (3.05)
16	1-20 UNEF	1.000 (25.40)	.083 (2.11)	1.662 (42.21)	1.937 (49.20)	.750 (19.05)	.906 (23.01)	1.281 (32.54)	.120 (3.05)
18	1 1/8-18 UNEF	1.062 (26.97)	.125 (3.18)	1.662 (42.21)	1.937 (49.20)	.750 (19.05)	1.062 (26.97)	1.375 (34.93)	.120 (3.05)
20	1 1/4-18 UNEF	1.187 (30.16)	.125 (3.18)	1.662 (42.21)	1.937 (49.20)	.750 (19.05)	1.156 (29.35)	1.500 (38.10)	.120 (3.05)
22	1 3/8-18 UNEF	1.312 (33.23)	.125 (3.18)	1.662 (42.21)	1.937 (49.20)	.750 (19.05)	1.25 (31.75)	1.625 (41.28)	.120 (3.05)
24	1 1/2-18 UNEF	1.437 (36.50)	.125 (3.18)	1.662 (42.21)	1.937 (49.20)	.812 (20.62)	1.375 (34.93)	1.750 (44.45)	.147 (3.73)
28	1 3/4-18 UNS	1.750 (44.45)	.125 (3.18)	1.662 (42.21)	1.937 (49.20)	.812 (20.62)	1.562 (39.67)	2.000 (50.80)	.147 (3.73)
32	2-18 UNS	2.000 (50.80)	.125 (3.18)	1.662 (42.21)	1.937 (49.20)	.875 (22.23)	1.750 (44.45)	2.250 (57.15)	.147 (3.73)
36	2 1/4-16 UN	2.250 (57.15)	.125 (3.18)	1.662 (42.21)	1.937 (49.20)	.875 (22.23)	1.988 (49.23)	2.500 (63.50)	.173 (4.39)
40	2 1/2-16 UN	2.500 (63.50)	.125 (3.18)	1.662 (42.21)	1.937 (49.20)	.875 (22.23)	2.188 (55.58)	2.750 (69.85)	.173 (4.39)



## MIL-C-5015 REAR RELEASE

### MS3454 SERIES RECEPTACLE JAM NUT



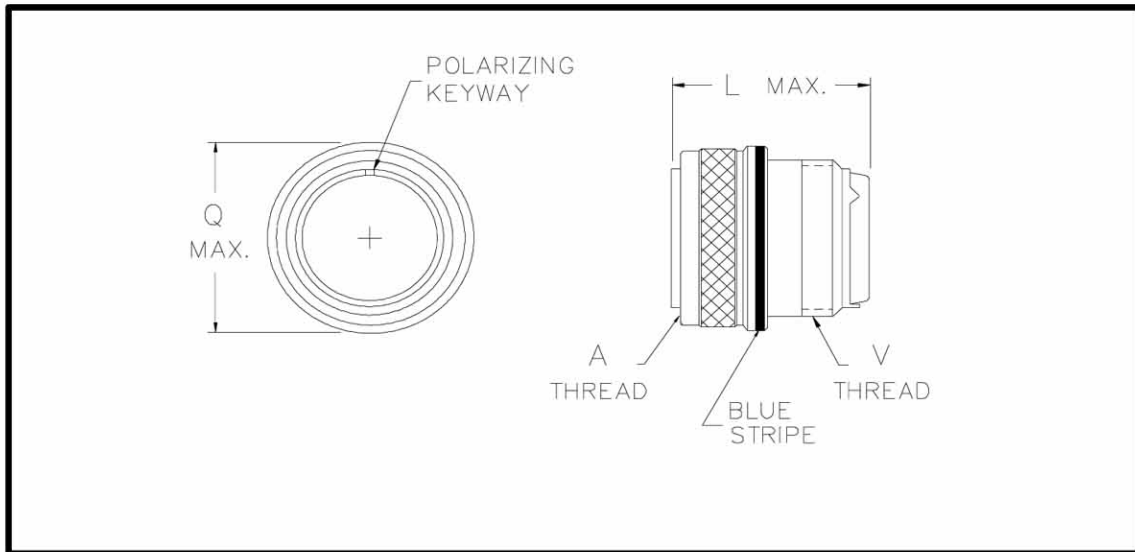
SHELL SIZE	A THREAD CLASS 2A	L MAX.		M ± .005 (± 0.13)	S ± .005 (± 0.13)	SS ± .005 (± 0.13)	V THREAD CLASS 2A
		CONTACT SIZE					
		16 & 12	8, 4 & 0				
8S	1/2-28 UNEF	2.031 (51.59)	—	.720 (18.29)	1.187 (30.15)	1.272 (32.31)	1/2-20UNF
10S	5/8-24 UNEF	2.031 (51.59)	—	.720 (18.29)	1.312 (33.32)	1.397 (35.48)	5/8-24 UNEF
10SL	5/8-24 UNEF	2.031 (51.59)	—	.720 (18.29)	1.312 (33.32)	1.397 (35.48)	5/8-24 UNEF
12S	3/4-20 UNEF	2.031 (51.59)	—	.720 (18.29)	1.437 (36.50)	1.522 (38.66)	3/4-20 UNEF
12	3/4-20 UNEF	2.125 (53.98)	—	.970 (26.64)	1.437 (36.50)	1.522 (38.66)	3/4-20 UNEF
14S	7/8-20 UNEF	2.031 (51.59)	—	.720 (18.29)	1.562 (39.67)	1.647 (41.83)	7/8-20 UNEF
14	7/8-20 UNEF	2.125 (53.98)	—	.970 (26.64)	1.562 (39.67)	1.647 (41.83)	7/8-20 UNEF
16S	1-20 UNEF	2.031 (51.59)	2.500 (63.50)	.720 (18.29)	1.687 (39.67)	1.772 (45.01)	1-20 UNEF
16	1-20 UNEF	2.125 (53.98)	2.500 (63.50)	.970 (26.64)	1.687 (39.67)	1.772 (45.01)	1-20 UNEF
18	1 1/8-18 UNEF	2.125 (53.98)	2.500 (63.50)	.970 (26.64)	1.812 (46.02)	1.897 (48.18)	1 1/16-18 UNEF
20	1 1/4-18 UNEF	2.125 (53.98)	2.500 (63.50)	.970 (26.64)	1.937 (49.20)	2.022 (51.36)	1 3/16-18 UNEF
22	1 3/8-18 UNEF	2.125 (53.98)	2.500 (63.50)	.970 (26.64)	2.156 (64.76)	2.241 (56.92)	1 5/16-18 UNEF
24	1 1/2-18 UNEF	2.125 (53.98)	2.500 (63.50)	.970 (26.64)	2.281 (57.94)	2.366 (60.10)	1 7/16-18 UNEF
28	1 3/4-18 UNS	2.125 (53.98)	2.500 (63.50)	.970 (26.64)	2.531 (64.29)	2.616 (66.45)	1 3/4-18 UNS
32	2-18 UNS	2.125 (53.98)	2.500 (63.50)	.970 (26.64)	2.781 (70.64)	2.866 (72.80)	2-18 UNS
36	2 1/4-16 UN	2.125 (53.98)	2.500 (63.50)	.970 (26.64)	3.031 (76.99)	3.116 (79.15)	2 1/4-16 UN
40	2 1/2-16 UN	2.125 (53.98)	2.500 (63.50)	.970 (26.64)	3.281 (83.34)	3.366 (83.34)	2 1/2-16 UN





## MIL-C-5015 REAR RELEASE

### MS3456 SERIES PLUG CONNECTOR STRAIGHT CLASS K.L. W

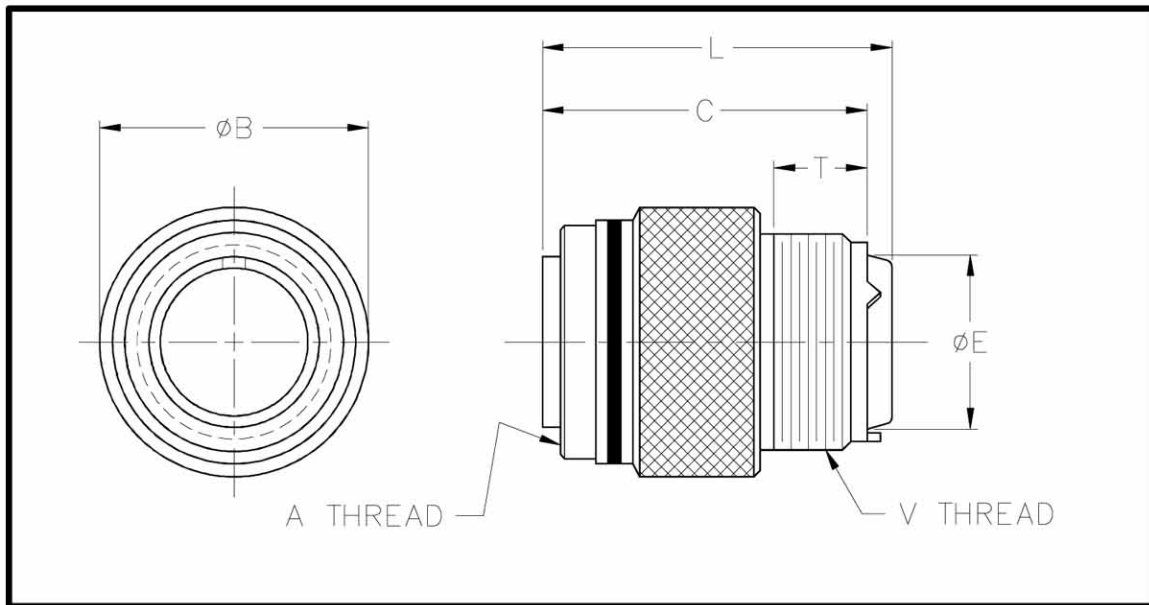


SHELL SIZE	A THREAD CLASS 2A	L MAX.		Q MAX.	V THREAD CLASS 2A
		CONTACT SIZE			
		16 & 12	8, 4 & 0		
8S	1/2-28 UNEF	2.031 (51.59)	—	.844 (21.44)	1/2-20UNF
10S	5/8-24 UNEF	2.031 (51.59)	—	.969 (24.61)	5/8-24 UNEF
10SL	5/8-24 UNEF	2.031 (51.59)	—	.969 (24.61)	5/8-24 UNEF
12S	3/4-20 UNEF	2.031 (51.59)	—	1.062 (26.97)	3/4-20 UNEF
12	3/4-20 UNEF	2.125 (53.98)	—	1.062 (26.97)	3/4-20 UNEF
14S	7/8-20 UNEF	2.031 (51.59)	—	1.156 (39.36)	7/8-20 UNEF
14	7/8-20 UNEF	2.125 (53.98)	—	1.156 (39.36)	7/8-20 UNEF
16S	1-20 UNEF	2.031 (51.59)	2.500 (63.50)	1.250 (31.75)	1-20 UNEF
16	1-20 UNEF	2.125 (53.98)	2.500 (63.50)	1.250 (31.75)	1-20 UNEF
18	1 1/8-18 UNEF	2.125 (53.98)	2.500 (63.50)	1.344 (34.14)	1 1/16-18 UNEF
20	1 1/4-18 UNEF	2.125 (53.98)	2.500 (63.50)	1.469 (37.31)	1 3/16-18 UNEF
22	1 3/8-18 UNEF	2.125 (53.98)	2.500 (63.50)	1.594 (40.49)	1 5/16-18 UNEF
24	1 1/2-18 UNEF	2.125 (53.98)	2.500 (63.50)	1.719 (43.66)	1 7/16-18 UNEF
28	1 3/4-18 UNS	2.125 (53.98)	2.500 (63.50)	1.969 (50.01)	1 3/4-18 UNS
32	2-18 UNS	2.125 (53.98)	2.500 (63.50)	2.219 (56.36)	2-18 UNS
36	2 1/4-16 UN	2.125 (53.98)	2.500 (63.50)	2.469 (62.71)	2 1/4-16 UN
40	2 1/2-16 UN	2.125 (53.98)	2.500 (63.50)	2.719 (69.06)	2 1/2-16 UN



## MIL-C-5015 REAR RELEASE

### MS3459 SERIES PLUG CONNECTOR SELF-LOCKING CLASS K, L & W

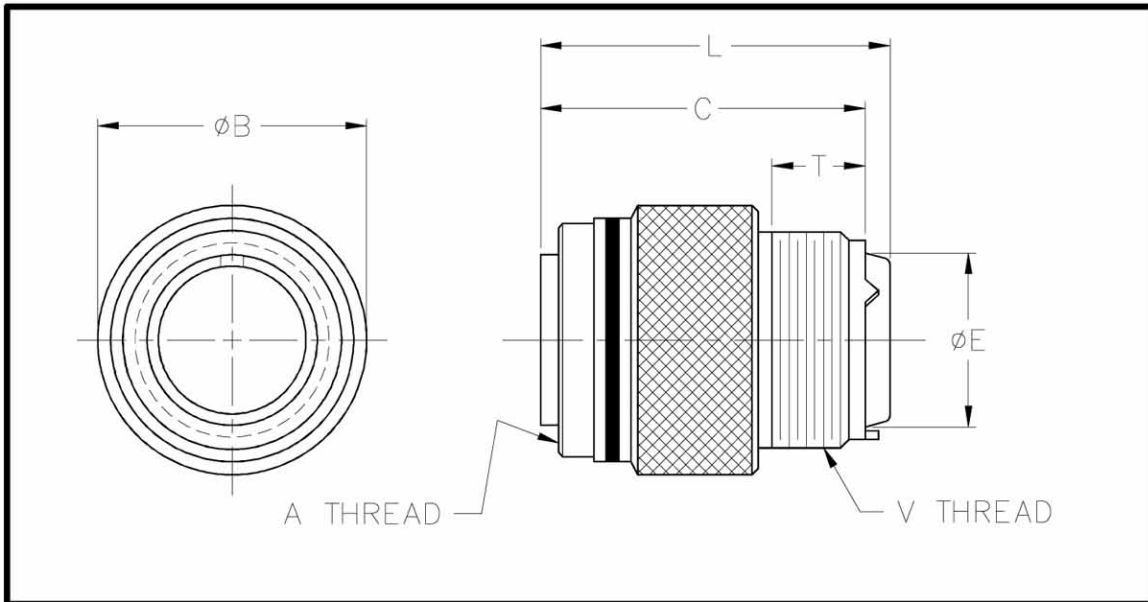


SHELL SIZE	A THREAD CLASS 2A	L MAX.		Q MAX.	V THREAD CLASS 2A
		CONTACT SIZE			
		16 & 12	8, 4 & 0		
8S	1/2-28 UNEF	2.031 (51.59)	—	.844 (21.44)	1/2-20UNF
10S	5/8-24 UNEF	2.031 (51.59)	—	.969 (24.61)	5/8-24 UNEF
10SL	5/8-24 UNEF	2.031 (51.59)	—	.969 (24.61)	5/8-24 UNEF
12S	3/4-20 UNEF	2.031 (51.59)	—	1.062 (26.97)	3/4-20 UNEF
12	3/4-20 UNEF	2.125 (53.98)	—	1.062 (26.97)	3/4-20 UNEF
14S	7/8-20 UNEF	2.031 (51.59)	—	1.156 (39.36)	7/8-20 UNEF
14	7/8-20 UNEF	2.125 (53.98)	—	1.156 (39.36)	7/8-20 UNEF
16S	1-20 UNEF	2.031 (51.59)	2.500 (63.50)	1.250 (31.75)	1-20 UNEF
16	1-20 UNEF	2.125 (53.98)	2.500 (63.50)	1.250 (31.75)	1-20 UNEF
18	1 1/8-18 UNEF	2.125 (53.98)	2.500 (63.50)	1.344 (34.14)	1 1/16-18 UNEF
20	1 1/4-18 UNEF	2.125 (53.98)	2.500 (63.50)	1.469 (37.31)	1 3/16-18 UNEF
22	1 3/8-18 UNEF	2.125 (53.98)	2.500 (63.50)	1.594 (40.49)	1 5/16-18 UNEF
24	1 1/2-18 UNEF	2.125 (53.98)	2.500 (63.50)	1.719 (43.66)	1 7/16-18 UNEF
28	1 3/4-18 UNS	2.125 (53.98)	2.500 (63.50)	1.969 (50.01)	1 3/4-18 UNS
32	2-18 UNS	2.125 (53.98)	2.500 (63.50)	2.219 (56.36)	2-18 UNS
36	2 1/4-16 UN	2.125 (53.98)	2.500 (63.50)	2.469 (62.71)	2 1/4-16 UN
40	2 1/2-16 UN	2.125 (53.98)	2.500 (63.50)	2.719 (69.06)	2 1/2-16 UN

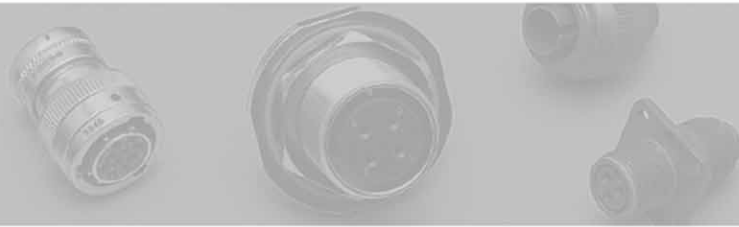


## MIL-C-5015 REAR RELEASE

### MS3459 SERIES PLUG CONNECTOR SELF-LOCKING CLASS K, L & W

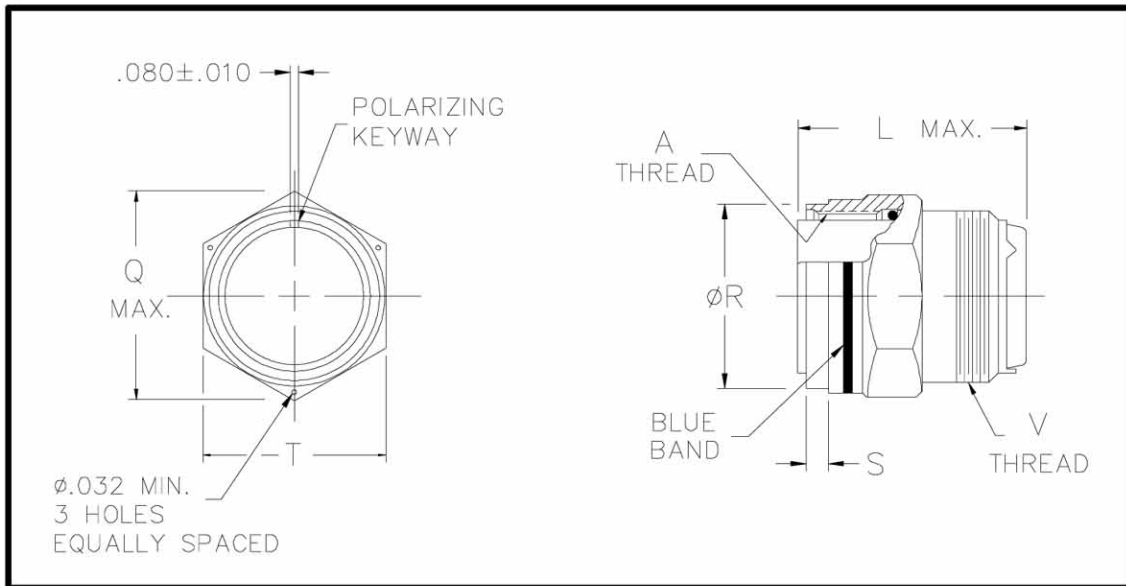


SHELL SIZE	A THREAD CLASS 2A	L MAX.		Q MAX.	V THREAD CLASS 2A
		CONTACT SIZE			
		16 & 12	8, 4 & 0		
8S	1/2-28 UNEF	2.031 (51.59)	—	.844 (21.44)	1/2-20UNF
10S	5/8-24 UNEF	2.031 (51.59)	—	.969 (24.61)	5/8-24 UNEF
10SL	5/8-24 UNEF	2.031 (51.59)	—	.969 (24.61)	5/8-24 UNEF
12S	3/4-20 UNEF	2.031 (51.59)	—	1.062 (26.97)	3/4-20 UNEF
12	3/4-20 UNEF	2.125 (53.98)	—	1.062 (26.97)	3/4-20 UNEF
14S	7/8-20 UNEF	2.031 (51.59)	—	1.156 (39.36)	7/8-20 UNEF
14	7/8-20 UNEF	2.125 (53.98)	—	1.156 (39.36)	7/8-20 UNEF
16S	1-20 UNEF	2.031 (51.59)	2.500 (63.50)	1.250 (31.75)	1-20 UNEF
16	1-20 UNEF	2.125 (53.98)	2.500 (63.50)	1.250 (31.75)	1-20 UNEF
18	1 1/8-18 UNEF	2.125 (53.98)	2.500 (63.50)	1.344 (34.14)	1 1/16-18 UNEF
20	1 1/4-18 UNEF	2.125 (53.98)	2.500 (63.50)	1.469 (37.31)	1 3/16-18 UNEF
22	1 3/8-18 UNEF	2.125 (53.98)	2.500 (63.50)	1.594 (40.49)	1 5/16-18 UNEF
24	1 1/2-18 UNEF	2.125 (53.98)	2.500 (63.50)	1.719 (43.66)	1 7/16-18 UNEF
28	1 3/4-18 UNS	2.125 (53.98)	2.500 (63.50)	1.969 (50.01)	1 3/4-18 UNS
32	2-18 UNS	2.125 (53.98)	2.500 (63.50)	2.219 (56.36)	2-18 UNS
36	2 1/4-16 UN	2.125 (53.98)	2.500 (63.50)	2.469 (62.71)	2 1/4-16 UN
40	2 1/2-16 UN	2.125 (53.98)	2.500 (63.50)	2.719 (69.06)	2 1/2-16 UN



## MIL-C-5015 REAR RELEASE

### DC62/63 PLUG CONNECTOR SELF-LOCKING HEX COUPLING NUT (BAN 7025)

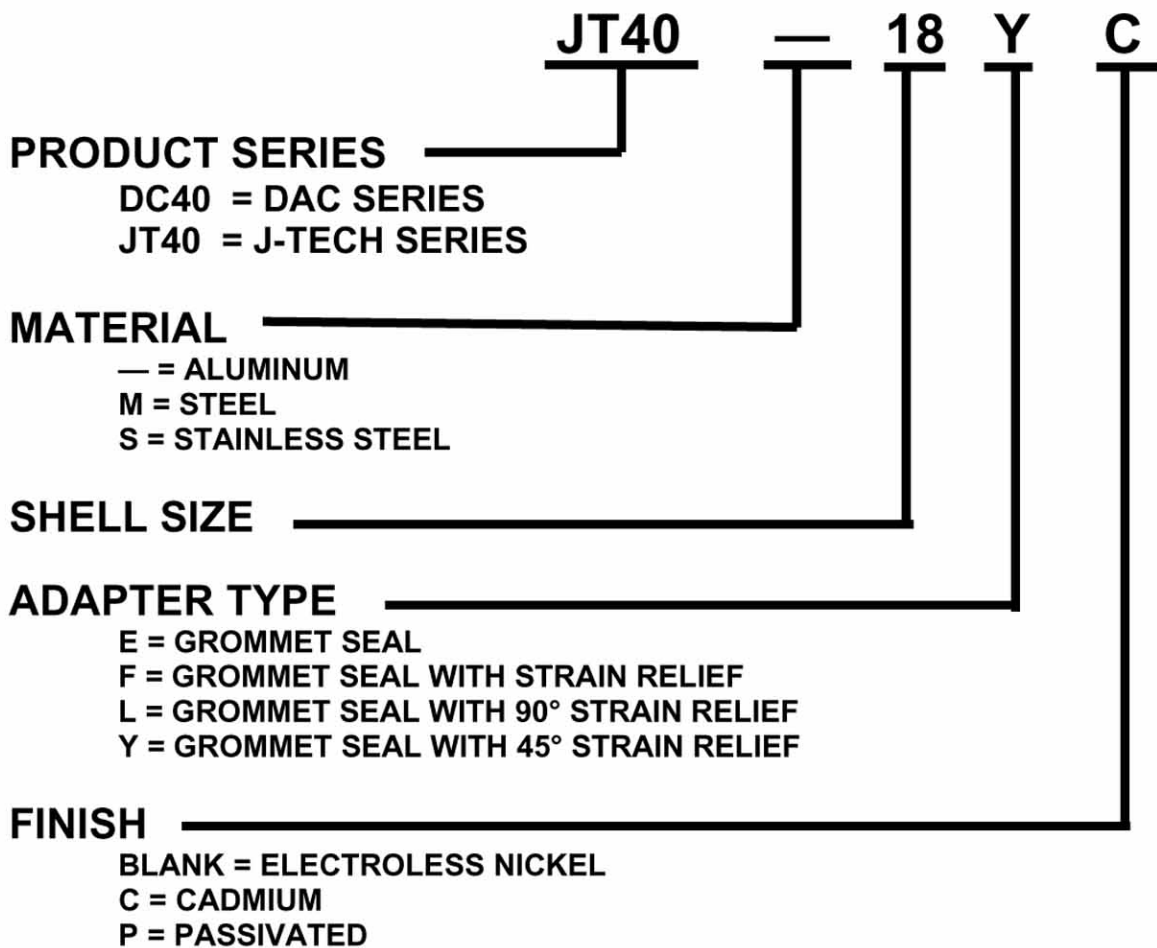


SHELL SIZE	A THREAD CLASS 2A	L MAX.		Q MAX.	R MAX.	S MAX.	T +.002 -.015	V THREAD CLASS 2A
		CONTACT SIZE						
		16 & 12	8, 4 & 0					
8S	1/2-28 UNEF	2.031 (51.59)	—	—	-	-	-	1/2-20UNF
10S	5/8-24 UNEF	2.031 (51.59)	—	1.088	.750	.170	.750	5/8-24 UNEF
10SL	5/8-24 UNEF	2.031 (51.59)	—	1.088	.750	.170	.750	5/8-24 UNEF
12S	3/4-20 UNEF	2.031 (51.59)	—	1.213	.835	.170	.875	3/4-20 UNEF
12	3/4-20 UNEF	2.125 (53.98)	—	1.213	.835	.170	.875	3/4-20 UNEF
14S	7/8-20 UNEF	2.031 (51.59)	—	1.358	.960	.170	1.000	7/8-20 UNEF
14	7/8-20 UNEF	2.125 (53.98)	—	1.358	.960	.170	1.000	7/8-20 UNEF
16S	1-20 UNEF	2.031 (51.59)	2.500 (63.50)	1.463	1.070	.170	1.125	1-20 UNEF
16	1-20 UNEF	2.125 (53.98)	2.500 (63.50)	1.463	1.070	.170	1.125	1-20 UNEF
18	1 1/8-18 UNEF	2.125 (53.98)	2.500 (63.50)	1.588	1.195	.270	1.250	1 1/16-18 UNEF
20	1 1/4-18 UNEF	2.125 (53.98)	2.500 (63.50)	1.713	1.320	.270	1.375	1 3/16-18 UNEF
22	1 3/8-18 UNEF	2.125 (53.98)	2.500 (63.50)	1.768	1.430	.270	1.500	1 5/16-18 UNEF
24	1 1/2-18 UNEF	2.125 (53.98)	2.500 (63.50)	1.963	1.580	.270	1.625	1 7/16-18 UNEF
28	1 3/4-18 UNS	2.125 (53.98)	2.500 (63.50)	2.213	1.820	.270	1.875	1 3/4-18 UNS
32	2-18 UNS	2.125 (53.98)	2.500 (63.50)	2.463	2.105	.270	2.125	2-18 UNS
36	2 1/4-16 UN	2.125 (53.98)	2.500 (63.50)	2.713	2.325	.270	2.375	2 1/4-16 UN



## MIL-C-5015 REAR RELEASE

### REAR ACCESSORIES FOR DC CONNECTORS



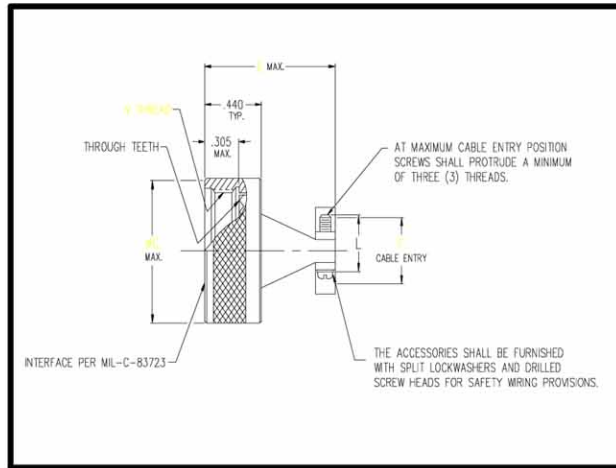




## MIL-C-5015 REAR RELEASE

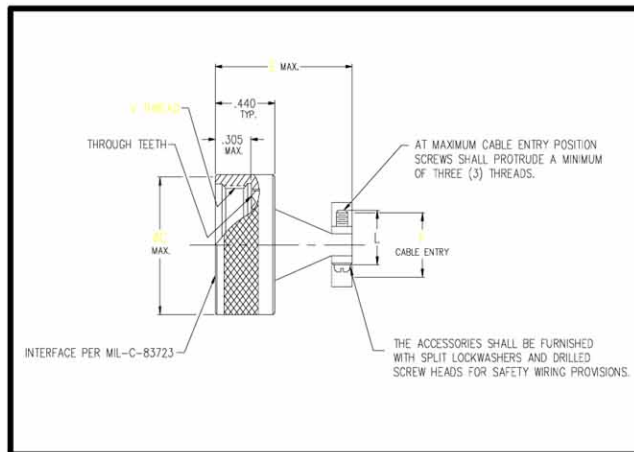
### JT/DC40 E GROMMET SEAL

SHEL L SIZE	Ø C MAX.	F CABLE ENTRY	G MAX.	H	L SCRE W LENGT H	V THREAD CLASS 2A
8						
10						
12						
14						
16						
18						
20						
22						
24						



### JT/DC40 F GROMMET SEAL WITH STRAIN RELIEF

SHEL L SIZE	Ø C MAX.	F CABLE ENTRY	E MAX.	L SCRE W LENGT H	V THREAD CLASS 2A
8	.327	.125	.952	.500	1/2-20UNF
10	.744	.187	1.062	.625	5/8-24 UNEF
12	.868	2.91	1.187	.625	3/4-20 UNEF
14	.994	.351	1.187	.750	7/8-20 UNEF
16	1.122	.501	1.312	.750	1-20 UNEF
18	1.228	.518	1.562	.750	1 1/16-18 UNEF
20	1.355	.581	1.687	.875	1 3/16-18 UNEF
22	1.478	.644	1.812	1.000	1 5/16-18 UNEF
24	1.603	.708	1.875	1.125	1 7/16-18 UNEF

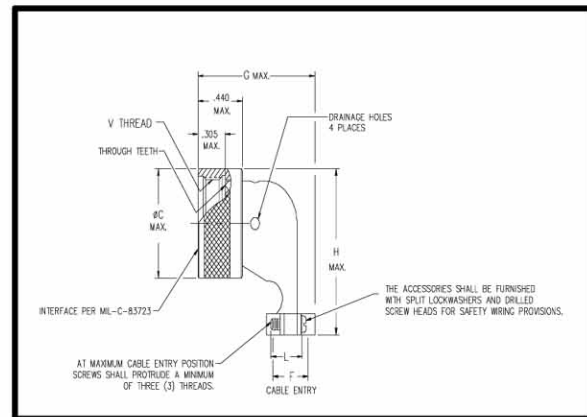




## MIL-C-5015 REAR RELEASE

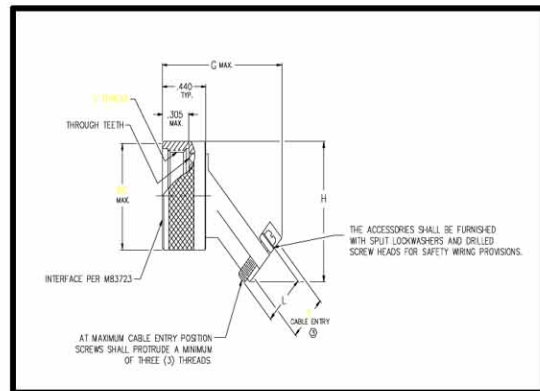
### JT/DC40 L GROMMET SEAL WITH 90° STRAIN RELIEF

SHELL SIZE	Ø C MAX.	F CABLE ENTRY	G MAX.	H MAX.	L SCREW LENGTH	V THREAD CLASS 2A
8	.327	.125	1.059	1.139	.500	1/2-20UNF
10	.744	.187	1.153	1.247	.625	5/8-24 UNEF
12	.868	.291	1.288	1.379	.625	3/4-20 UNEF
14	.994	.351	1.378	1.502	.750	7/8-20 UNEF
16	1.122	.501	1.513	1.626	.750	1-20 UNEF
18	1.228	.518	1.612	1.847	.750	1 1/16-18 UNEF
20	1.355	.581	1.745	1.974	.875	1 3/16-18 UNEF
22	1.478	.644	1.868	2.097	1.000	1 5/16-18 UNEF
24	1.603	.708	1.990	2.222	1.125	1 7/16-18 UNEF



### JT/DC40 Y GROMMET SEAL WITH 45° STRAIN RELIEF

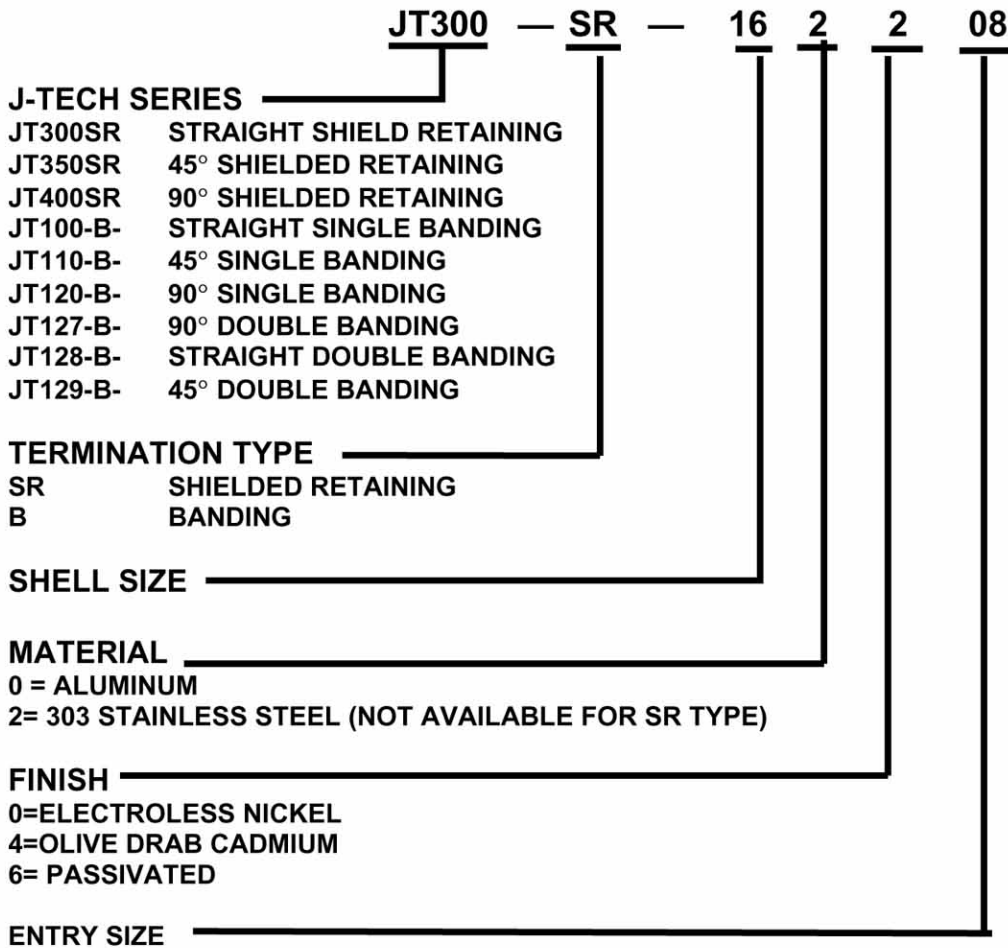
SHELL SIZE	Ø C MAX.	F CABLE ENTRY	G MAX.	H MAX.	L SCREW LENGTH	V THREAD CLASS 2A
8	.327	.125	1.490	.772	.500	1/2-20UNF
10	.744	.187	1.534	.803	.625	5/8-24 UNEF
12	.868	.291	1.608	.866	.625	3/4-20 UNEF
14	.994	.351	1.650	.928	.750	7/8-20 UNEF
16	1.122	.501	1.756	.991	.750	1-20 UNEF
18	1.228	.518	1.874	1.110	.750	1 1/16-18 UNEF
20	1.355	.581	1.918	1.172	.875	1 3/16-18 UNEF
22	1.478	.644	1.962	1.235	1.000	1 5/16-18 UNEF
24	1.603	.708	2.006	1.297	1.125	1 7/16-18 UNEF





# MIL-C-5015 REAR RELEASE

## JT REAR ACCESSORY HARDWARE SHIELDED AND BANDING (SINGLE AND DOUBLE)

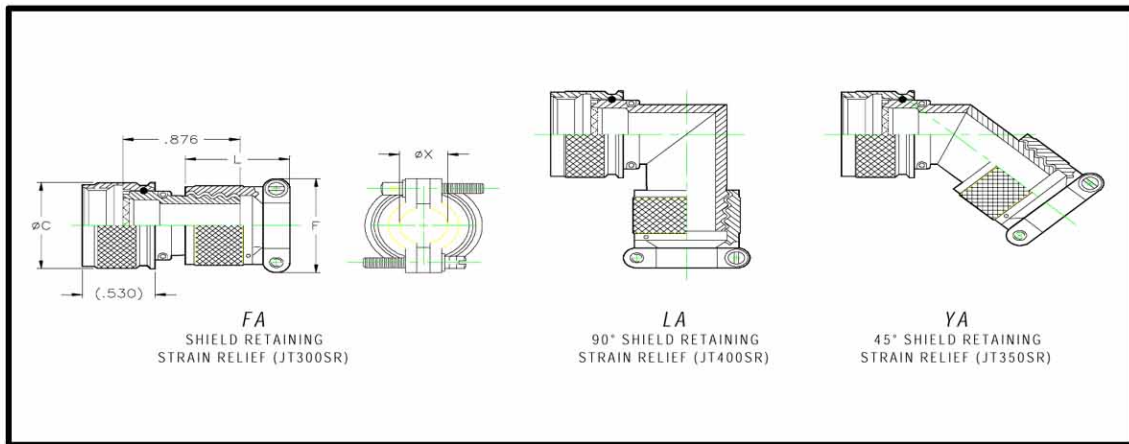




## MIL-C-5015 REAR RELEASE

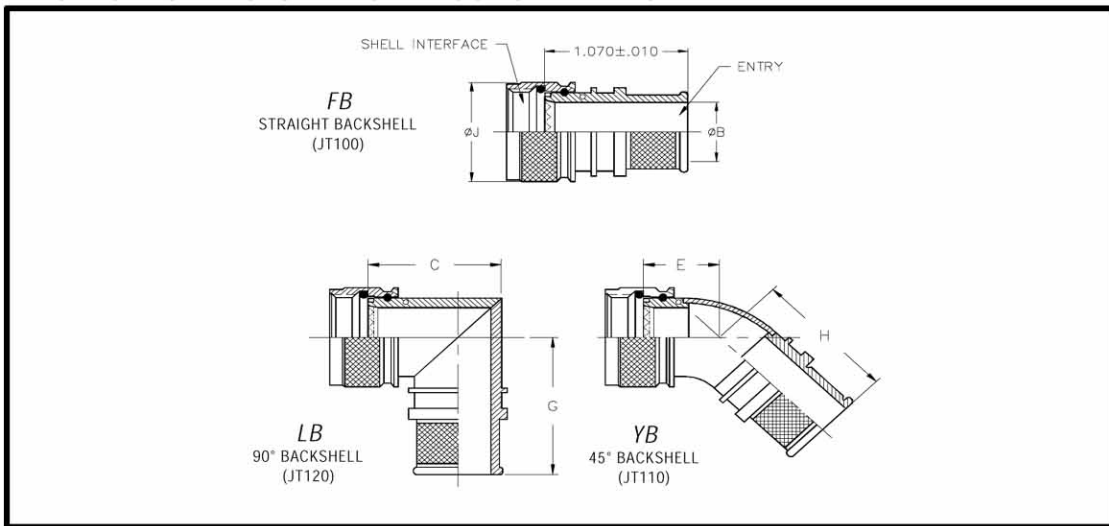
### SHIELD RETAINING

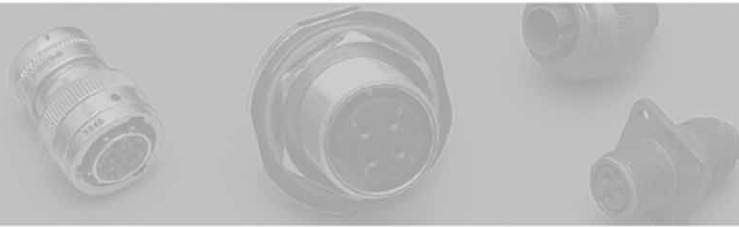
- NON-ENVIRONMENTAL, FIELDED REPAIRABLE
- OVERALL OR SINGLE SHIELD RETAINING
- SEE J-TECH BACKSHELL CATALOG FOR DETAILS



### SINGLE BANDING RETENTION

- AVAILABLE SHELL SIZES 8 THROUGH 24
- TERMINATE OVERALL SHIELDING
- ENTRY SIZES 4 (.250) THROUGH 20 (1.250") IN .062" INCREMENTS
- SEE J-TECH BACKSHELL CATALOG FOR DETAILS

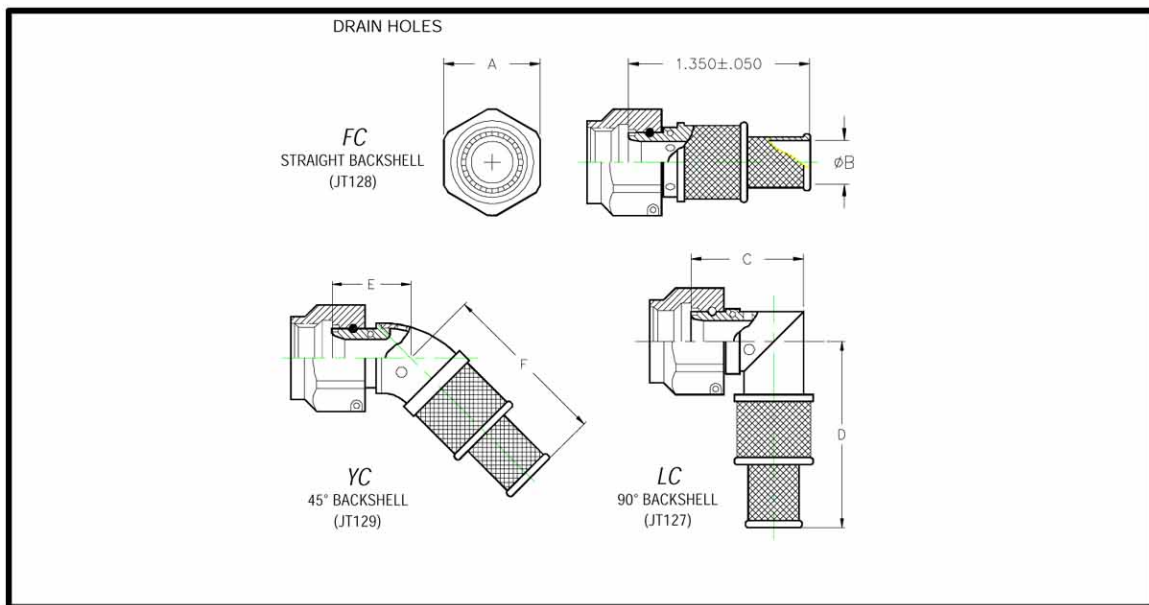




## MIL-C-5015 REAR RELEASE

### DOUBLE BANDING RETENTION

- AVAILABLE SHELL SIZES 8 THROUGH 24
- TERMINATE STEEL BRAIDING AND OUTER JACKET
- ENTRY SIZES 4 (.250) THROUGH 20 (1.250") IN .062" INCREMENTS
- SEE J-TECH BACKSHELL CATALOG FOR DETAILS







## MIL-C-5015 REAR RELEASE

### INSERT ARRANGEMENTS PER MIL STD 1651

MIL STD 1651	TOTAL CONTACTS	CONTACTS SIZES					ALTERNATE POLARIZATIONS IN DEGREES			
		16	12	8	4	0	W	X	Y	Z
8S-1	1	1								
10S-2	1	1								
10SL-3	3	3								
10SL-4	2	2								
12S-1	2	2								POSITION #12 OF 12S-3
12S-2	2	2								POSITION #13 OF 12S-3
12S-3	2	2					70	145	215	290
12S-4	1	1								
12-5	1		1							
14S-1	3	3					90	180	210	
14S-2	4	4						120	240	
14-3	1			1						
14S-4	1	1								
14S-5	5	5						110		
14S-6	6	6								
14S-7	3	3					90	180	215	
14S-9	2	2					70	145	215	290
14S-10	4	4								POSITION # 12 OF 14S-2
14S-11	4	4								POSITION # 13 OF 14S-2
14S-12	3	3								POSITION # 12 OF 14S-1
14S-13	3	3								POSITION # 2 OF 14S-1
14S-14	4	4								POSITION # 12 OF 14S-2
16S-1	7	7					80			280
16-2	1		1							
16S-3	1	1								
16S-4	2	2					35	110	250	325
16S-4	3	3					70	145	215	290
16S-6	3	3					90	180	270	
16-7	2	2					80	110	250	280
16S-8	5	5						170	265	
16-9	4	2	2				35	110	250	325
16-10	3		3				90	180	270	
16-11	2		2				35	110	250	325
16-12	1				1					
16-13	2		2							THERMOCOUPLE
16S-14	3	3								POSITION # 3 OF 16S-5



## MIL-C-5015 REAR RELEASE

### INSERT ARRANGEMENTS PER MIL STD 1651

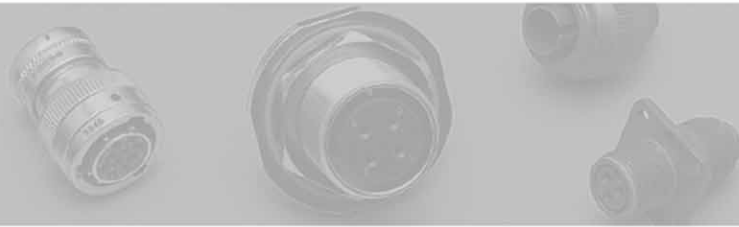
MIL STD 1651	TOTAL CONTACTS	CONTACTS SIZES					ALTERNATE POLARIZATIONS IN DEGREES			
		16	12	8	4	0	W	X	Y	Z
16S-15	2	2					POSITION # 12 OF 16S-4			
16S-16	2						POSITION # 13 OF 16S-4			
16S-17	3						POSITION # 13 OF 16S-5			
18-1	10	10				70	145	215	290	
18-3	2		2			35	110	250	325	
18-4	4	4				35	110	250	325	
18-5	3	1	2			80	110	250	280	
18-6	1				1					
18-7	1			1						
18-8	8	7	1			70			290	
18-9	7	5	2			80	110	250	280	
18-10	4		4				120	240		
18-11	5		5				170	265		
18-12	6	6				80			280	
18-13	4		3	1		80	110	250	280	
18-14	2	1				80	110	250	280	
18-15	4		4	THERMOCOUPLE			120	240		
18-16	1		1			ALL HIGH VOLTAGE CONTACTS				
18-17	7	7	1			100 DEGREE ROTATION TO RIGHT 18-9				
18-18	7	7	1			250 DEGREE ROTATION TO RIGHT 18-9				
18-19	10	10					120	240		
18-20	5	5				90	180	270		
18-21	3		3							
18-22	3	3				70	145	215	290	
18-23	10	10				POSITION # 12 OF 18-1				
18-24	10	10				POSITION # 13 OF 18-1				
18-25	2		2			POSITION # 12 OF 18-3				
18-26	2		2			POSITION # 13 OF 18-3				
18-27	3	1	2			POSITION # 12 OF 18-5				
18-28	3	1	2			POSITION # 13 OF 18-5				
18-29	5	5				90	180	270		
18-30	5	5				POSITION # 3 OF 18-20				
18-31	5	5				POSITION # 2 OF 18-20				
20-1	14	14				35	110	250	325	
20-2	1				1					
20-3	3		3			70	145	215	290	



## MIL-C-5015 REAR RELEASE

### INSERT ARRANGEMENTS PER MIL STD 1651

MIL STD 1651	TOTAL CONTACTS	CONTACTS SIZES					ALTERNATE POLARIZATIONS IN DEGREES			
		16	12	8	4	0	W	X	Y	Z
20-8	6	4		2			80	110	250	280
20-9	8	7	1				80	110	250	280
20-10	4	4								
20-11	13	13								
20-12	2	1			1		80	110	250	280
20-13	4	4								
20-14	5		3	2			80	110	250	280
20-15	7		7				80			280
20-16	9	7	2				80	110	250	280
20-17	6	1	5				90	180	270	
20-18	9	6	3				35	110	250	325
20-19	3			3			90	180	270	
20-20	4		3		1		80	110	250	280
20-21	9	8	1				35	110	250	325
20-22	6	3		3			80	110	250	280
20-23	2			2			35	110	250	325
20-24	4	2		2			35	110	250	325
20-25	13	13					POSITION # 12 OF 20-11			
20-27	14	14					35	110	250	325
20-29	17	17					80			280
20-30	13	13					POSITION # 13 OF 20-11			
20-32	8	8					POSITION # 2 OF 20-7			
20-33	11	11								
22-1	2			2			35	110	250	325
22-2	3			3			70	145	215	290
22-3	2	1			1		80	110	250	280
22-4	4		2	2			35	110	250	325
22-5	6	4	2				35	110	250	325
22-6	3	1		2			80	110	250	280
22-7	1					1				
22-8	2		2				35	110	250	325
22-9	3		3				70	145	215	290
22-10	4	4					35	110	250	325
22-11	2	2					35	110	250	325
22-12	5	3		2			80	110	250	280
22-13	5	1	4				35	110	250	325



## MIL-C-5015 REAR RELEASE

### INSERT ARRANGEMENTS PER MIL STD 1651

MIL STD 1651	TOTAL CONTACTS	CONTACTS SIZES					ALTERNATE POLARIZATIONS IN DEGREES			
		16	12	8	4	0	W	X	Y	Z
22-14	19	19					80	110	250	280
22-15	6	1	5				80	110	250	280
22-16	9	6	3				80	110	250	280
22-17	8	8	1				80	110	250	280
22-18	8	8					80	110	250	280
22-20	9	9					80	110	250	280
22-21	3	2				1	35	110	250	325
22-22	4			4				110	250	
22-23	8		8				35	110	250	
22-24	6	4	2				80	110	250	280
22-25	3	2				1	80	110	250	280
22-26	7	5	2							
22-27	9	8		1			80		250	280
22-28	7		7				80			280
22-29	7	6				1	80	110	250	280
22-30	19	19					POSITION # 12 OF 22-14			
22-31	2	2					POSITION # 12 OF 22-11			
22-32	6	4	2				POSITION # 2 OF 22-5			
22-33	7	7					80	110	250	280
22-34	5	2	3				80	110	250	280
22-36	8		8	THERMOCOUP			90		270	
24-1	2	1				1	80	110	250	280
24-2	7		7				80			280
24-3	7	5	2				80	110	250	280
24-4	4	3				1	80	110	250	280
24-5	16	16					80	110	250	280
24-6	8		8				80	110	250	280
24-7	16	14	2				80	110	250	280
24-9	2					2	35	110	250	325
24-10	7			7			80			280
24-11	9		6	3			35	110	250	325
24-12	5		3			2	80	110	250	280
24-14	3		2				80	110	250	280
24-15	16	16					POSITION # 12 OF 24-5			
24-16	7	3	3	1			80	110	250	280
24-17	5	3	2				80	110	250	280





## MIL-C-5015 REAR RELEASE

### INSERT ARRANGEMENTS PER MIL STD 1651

MIL STD 1651	TOTAL CONTACTS	CONTACTS SIZES					ALTERNATE POLARIZATIONS IN DEGREES			
		16	12	8	4	0	W	X	Y	Z
24-26	8		8				POSITION # 13 OF 24-6			
24-27	7	7					80			280
24-28	34	24					80	110	250	280
24-80	23	23					35	145	240	300
28-1	9		6	3			80	110	250	280
28-2	14	12	2				35	110	250	280
28-3	3			3			70	145	215	290
28-4	9	7	2				80	110	250	280
28-5	5	2	1		2		35	110	250	325
28-6	3				3		70	145	215	290
28-7	2				2		35	110	250	325
28-8	12	10	2				80	110	250	280
28-9	12	6	6				80	110	250	280
28-10	7		3	2	2		80	110	250	280
28-11	22	18	4				80	110	250	280
28-12	26	26					90	180	270	
28-13	26	26					POSITION # 12 OF 28-12			
28-14	11	11					80	110	250	280
28-15	35	35					80	110	250	280
28-16	20	20					80	110	250	280
28-17	15	15					80	110	250	280
28-18	12	12					70	145	215	280
28-19	10	6	4				80	110	250	280
28-20	14	10	4				80	110	250	280
28-21	37	37					80	110	250	280
28-22	6	3			3		70	145	250	290
32-1	5		3			2	80	110	250	280
32-2	5	2			3		70	145	250	290
32-3	9	4	2		2	1	80	110	250	280
32-4	14	12	2				80	110	250	280
32-5	2					2	35	110	250	325
32-6	23	16	2	3	2		80	110	250	280
32-7	35	28	7				80	110	250	280
32-8	30	24	6				80	110	250	280
32-9	14	12			2		80	110	250	280
32-10	7	3		2	2		80	110	250	280





## MIL-C-5015 REAR RELEASE

### INSERT ARRANGEMENTS PER MIL STD 1651

MIL STD 1651	TOTAL CONTACTS	CONTACTS SIZES					ALTERNATE POLARIZATIONS IN DEGREES			
		16	12	8	4	0	W	X	Y	Z
32-16	23	16	2	3	2		POSITION # 12 OF 32-6			
32-17	4				4		45	110	250	
32-18	14	12	2				POSITION # 12 OF 32-4			
32-19	5	2			3		POSITION # 12 OF 32-1			
32-20	23	16	2	3	2		POSITION # 2 OF 32-6			
32-22	54	54					80	110	250	280
32-73	46	46					36			
32-101	12	10	2 COAX				65	125	225	310
32-102	14	13	1 COAX				65	125	225	310
36-1	22	18	4				80	110	250	280
36-2	5		2			3				
36-3	6		3			3	70	145	215	290
36-4	3					3	70	145	215	290
36-5	4					4		120	240	
36-6	6				4	2	35	110	250	235
36-7	47	40	7				80	110	250	280
36-8	47	46	1				80	110	250	280
36-9	31	14	14	2	1		80	110	250	280
36-10	48	48					80	110	250	280
36-11	48	48					POSITION # 12 OF 36-10			
36-12	48	48					POSITION # 13 OF 36-10			
36-13	17	15	2				80	110	250	280
36-14	16	6	5	5			90	180	270	
36-15	35	35					60	125	245	305
36-16	47	40	7				POSITION # 12 OF 36-7			
36-17	47	40	7				POSITION # 13 OF 36-7			
36-18	31	14	14	2	1		POSITION # 12 OF 36-9			
36-19	17	10	5		1	1	80	110	250	280
36-20	34	30	2	2						
36-21	31	14	14	2	1		POSITION # 2 OF 36-9			
36-66	56	52	4				80	130	260	310
40-1	30	24	6				65	130	235	300
40-2	23	23					80	110	250	280
40-3	23	18	4		1		80	110	250	280
40-4	23	16	2	3	2		80	110	250	280
40-5	15		6	4	2	3	80	110	250	280



## MIL-C-5015 REAR RELEASE

### INSERT ARRANGEMENTS PER MIL STD 1651

MIL STD 1651	TOTAL CONTACTS	CONTACTS SIZES					ALTERNATE POLARIZATIONS IN DEGREES			
		16	12	8	4	0	W	X	Y	Z
40-11	25	18	4	1	1	1	80	110	250	280
40-12	29	22	6			1				
40-13	23	23					POSITION # 12 OF 40-2			
40-14	32	21	10							
40-56	85	85					72	144	216	288
40-62	60	60					30	130	220	290
44-1	42	36	6				65	125	225	310
44-2	31	14	14	2	1		65	125	225	310
44-3	31	24	3	2	2		65	125	225	310
44-4	41	31	8				65	125	225	310
44-5	42	36	6				POSITION # 12 OF 44-1			
44-6	42	36	6				POSITION # 13 OF 44-1			
44-52	104	104					72	135	225	288

## X-ON Electronics

Largest Supplier of Electrical and Electronic Components

*Click to view similar products for [conesys](#) manufacturer:*

Other Similar products are found below :

[AE65-538-ZH55PN11-1](#) [MS3471W14-4S-LC](#) [MS3471W14-18PZ](#) [D38999/24FE99SA-CO](#) [D38999/20WJ4PN](#) [D38999/26FE35PB](#)  
[D38999/26WF35SN](#) [MS27468T25B4S](#) [MS27656T11B35P](#) [MS3452W22-23SY](#) [MS3452W32-6S](#) [MS3474L18-11S](#) [MS3474W10-6P](#)  
[D38999/20WE8SA](#) [D38999/24FD97SN](#) [D38999/24WD97SN](#) [D38999/26WC4SN](#) [MS27508E10B35P](#) [MS27656T13B35PA](#) [MS3452W32-17S](#) [MS3456KT14S-7S](#) [MS3456W12-5S](#) [D38999/26FD97SN](#) [MS27508E10F35P](#) [D38999/24WC4SN](#) [D38999/26WF11SN](#)  
[D38999/24WD35PA](#) [D38999/26WC4SB](#) [D38999/26WD5SC](#) [D38999/20FC4SA](#) [D38999/20FB4SN](#) [MS3450LS22-22P](#) [MS3472W16-8PW](#)  
[MS3476W16-8P](#) [M83723/87K2041N](#) [MS3450KS28-21S](#) [MS27505E11B35P](#) [MS3456L28-21S](#) [MS3474L16-8PW](#) [MS27484T10B99SA](#)  
[MS3452L32-6S](#) [MS3472W16-8P](#) [MS27473T12F98S](#) [D38999/24WG39SA](#) [MS3470W16-8P](#) [D38999/20WF32PA](#) [D38999/20FG39SB](#)  
[D38999/26WE99SB](#) [MS3456LS28-21S](#) [MS3475W16-8PW](#)