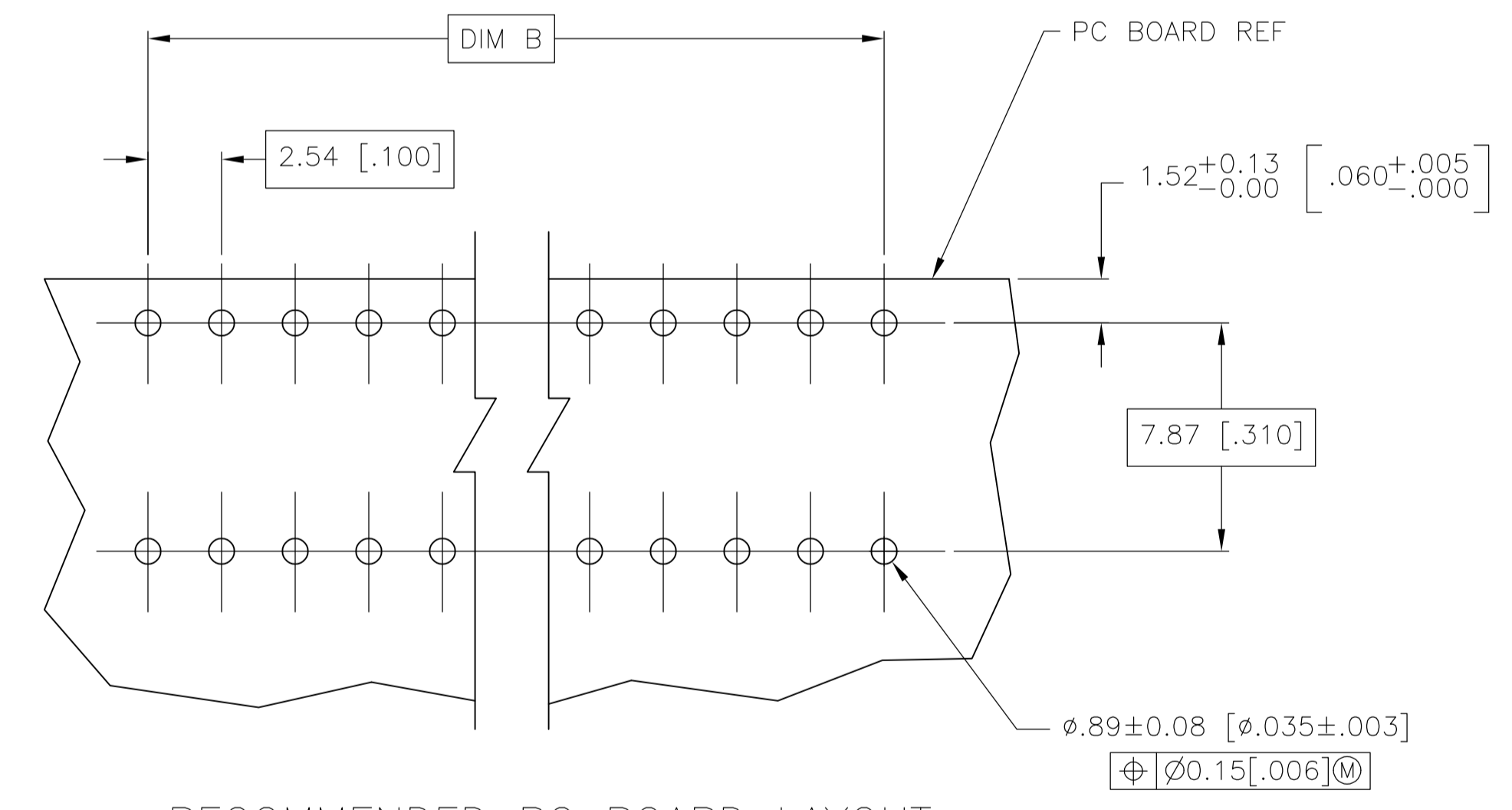
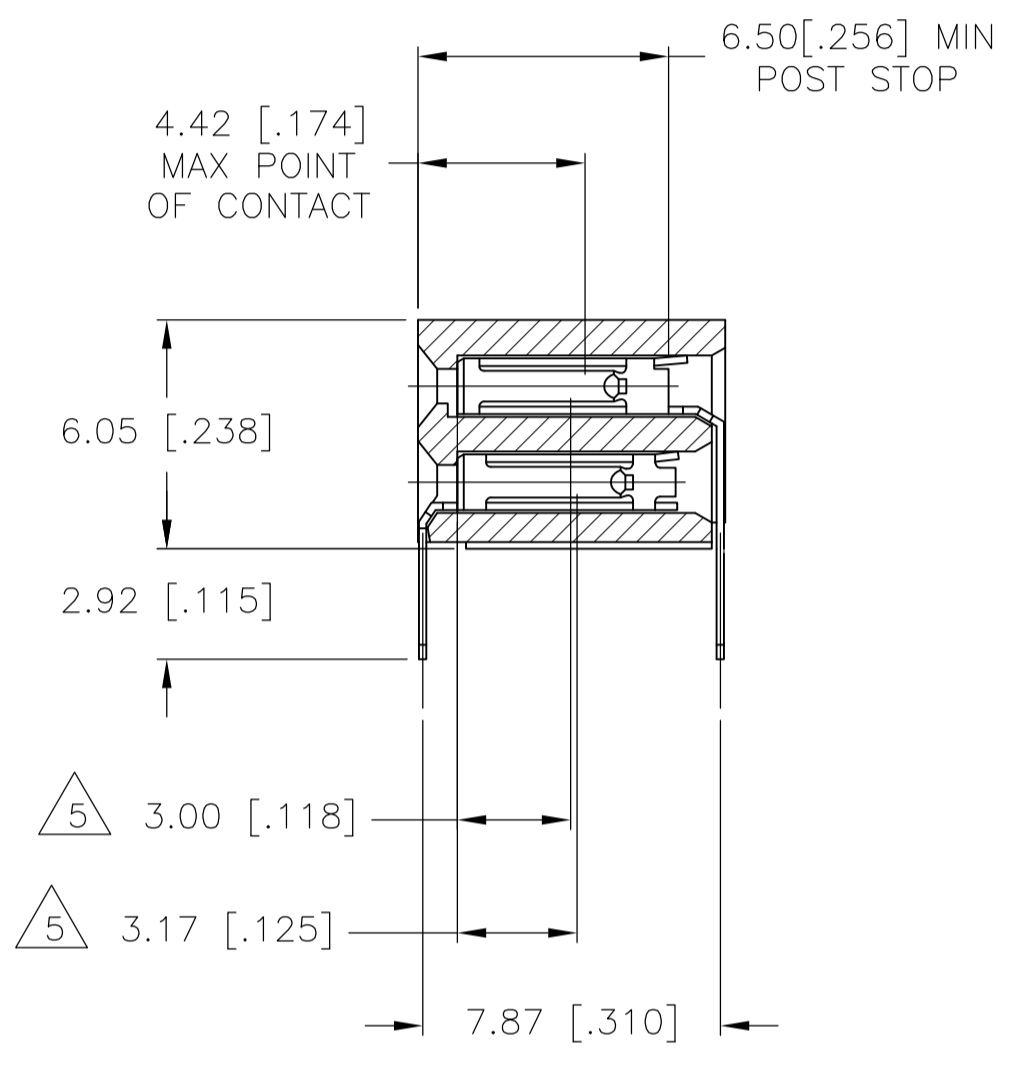
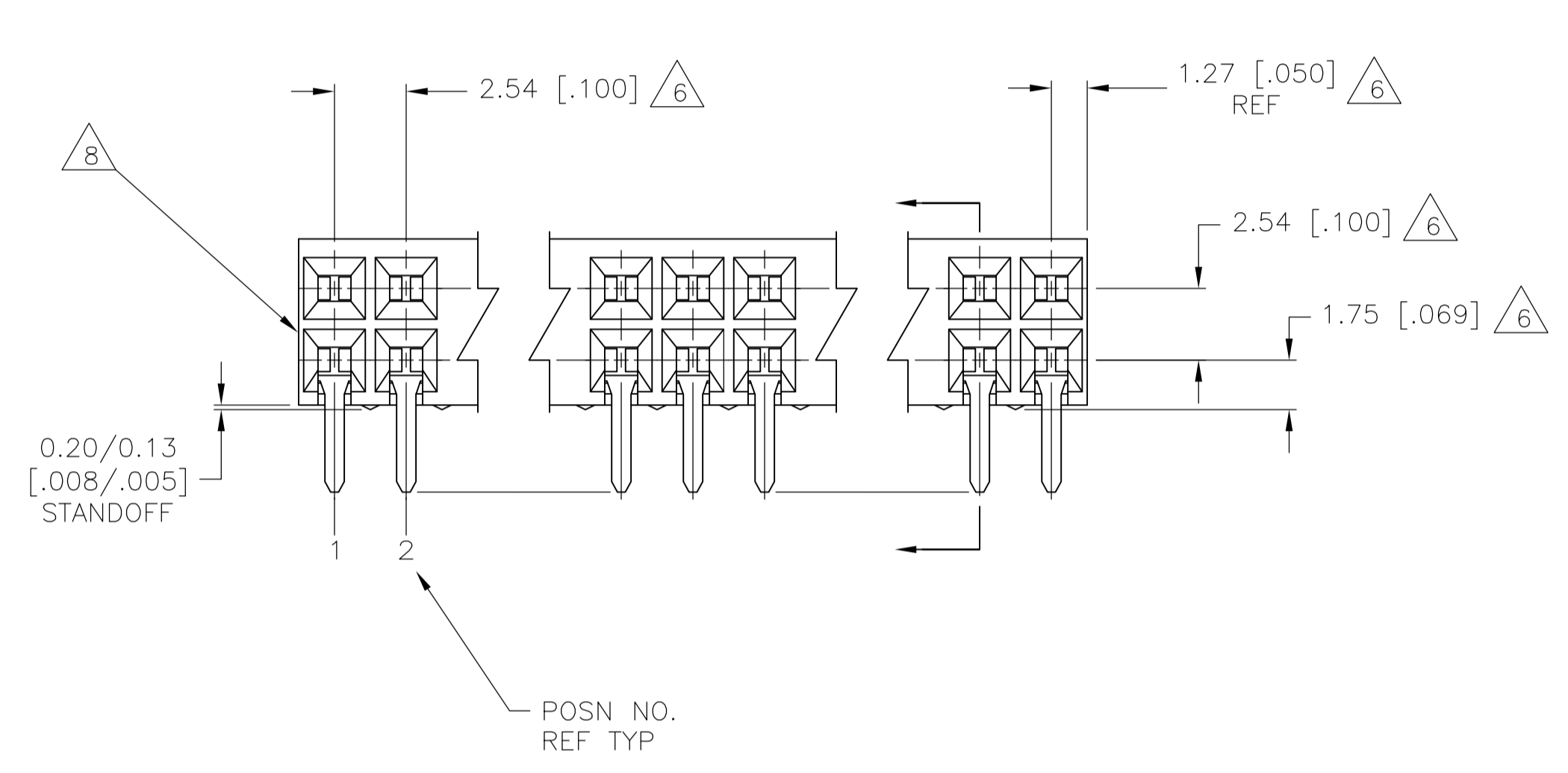
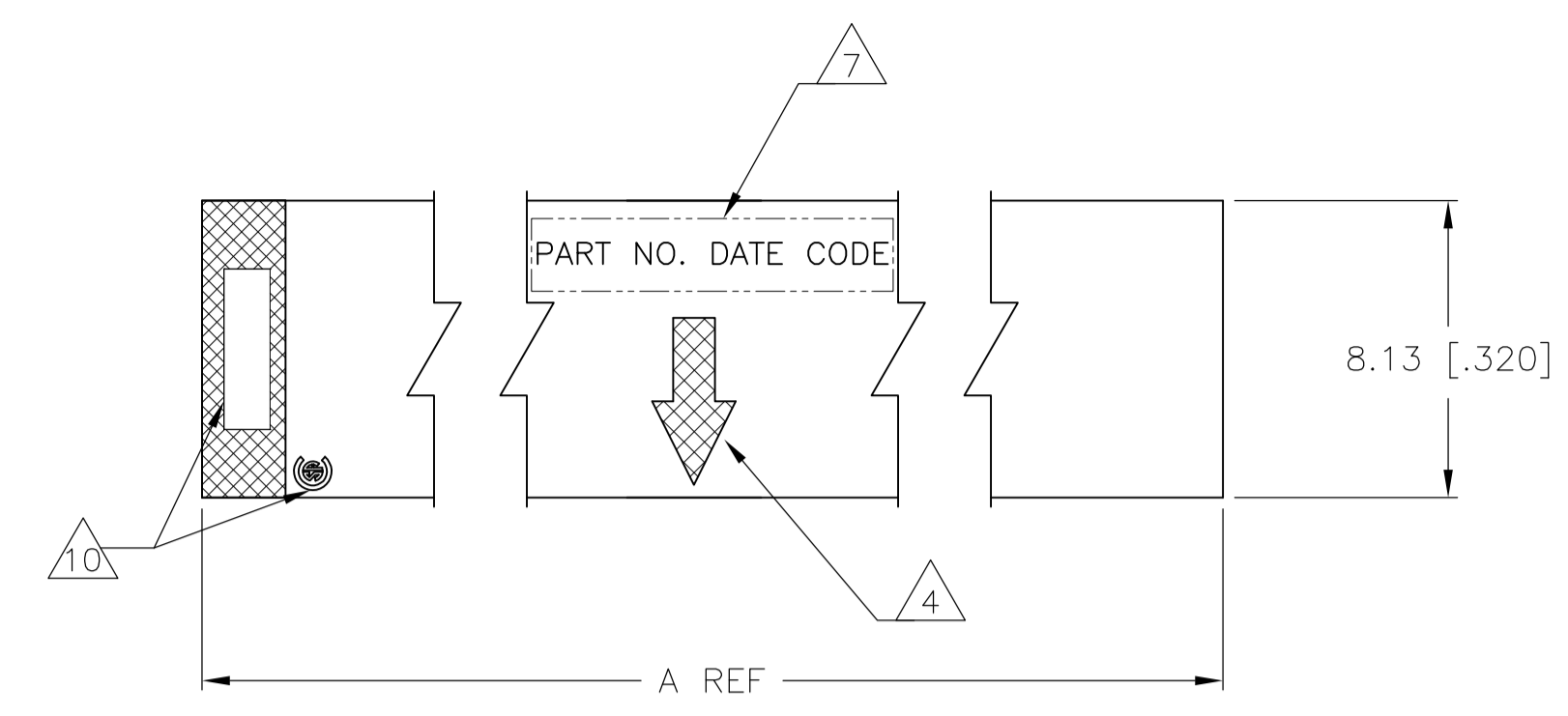


LOC		DIST		REVISIONS			
AD	00	F	LTR	DESCRIPTION	DATE	DWN	APVD
		N5	REVISED PER	ECO-13-005565	29MAR13	KH	JO



RECOMMENDED PC BOARD LAYOUT

- 1 HOUSING MATERIAL: GLASS FILLED POLYESTER, COLOR- BLACK
- 2 CONTACT MATERIAL: PHOSPHOR BRONZE
- 3 CONTACT FINISH: 0.00025[.000010] THK DUPLEX PLATED GOLD ON CONTACT AREA, 0.00127[.000050] MIN THK BRIGHT TIN-LEAD ON SOLDERLEADS, ALL OVER 0.00127[.000050] NICKEL
- 4 MOLDED IN ARROW DESIGNATES THE MATING FACE OF THE CONNECTOR
- 5 POINT OF MEASUREMENT FOR PLATING THICKNESS OF CONTACT AREA
- 6 DIMENSIONS PERTAIN TO HOUSING CAVITY CENTERLINES
- 7 MARK PART NUMBER AND DATE CODE IN APPROXIMATE LOCATION SHOWN, EITHER END.
- 8 ALTERNATE LOCATION FOR DATE CODE FOR 4 AND 6 POSITION.
- 9 NO PART NUMBER MARKING REQUIRED FOR THIS PART.
- 10 TE LOGO AND CSA LOGO ARE MOLDED INTO HOUSING, THIS LOCATION.

162.56[6.400]	165.10[6.500]	130	6-146140-4
160.02[6.300]	162.56[6.400]	128	6-146140-3
157.48[6.200]	160.02[6.300]	126	6-146140-2
154.94[6.100]	157.48[6.200]	124	6-146140-1
152.40[6.000]	154.94[6.100]	122	6-146140-0
149.86[5.900]	152.40[6.000]	120	5-146140-9
147.32[5.800]	149.86[5.900]	118	5-146140-8
144.78[5.700]	147.32[5.800]	116	5-146140-7
142.24[5.600]	144.78[5.700]	114	5-146140-6
139.70[5.500]	142.24[5.600]	112	5-146140-5
137.16[5.400]	139.70[5.500]	110	5-146140-4
134.62[5.300]	137.16[5.400]	108	5-146140-3
132.08[5.200]	134.62[5.300]	106	5-146140-2
129.54[5.100]	132.08[5.200]	104	5-146140-1
127.00[5.000]	129.54[5.100]	102	5-146140-0
124.46[4.900]	127.00[5.000]	100	4-146140-9
121.92[4.800]	124.46[4.900]	98	4-146140-8
119.38[4.700]	121.92[4.800]	96	4-146140-7
116.84[4.600]	119.38[4.700]	94	4-146140-6
114.30[4.500]	116.84[4.600]	92	4-146140-5
111.76[4.400]	114.30[4.500]	90	4-146140-4
109.22[4.300]	111.76[4.400]	88	4-146140-3
106.68[4.200]	109.22[4.300]	86	4-146140-2
104.14[4.100]	106.68[4.200]	84	4-146140-1
101.16[4.000]	104.14[4.100]	82	4-146140-0
99.06[3.900]	101.16[4.000]	80	3-146140-9
96.52[3.800]	99.06[3.900]	78	3-146140-8
93.98[3.700]	96.52[3.800]	76	3-146140-7
91.44[3.600]	93.98[3.700]	74	3-146140-6
88.90[3.500]	91.44[3.600]	72	3-146140-5
86.36[3.400]	88.90[3.500]	70	3-146140-4
83.82[3.300]	86.36[3.400]	68	3-146140-3
81.28[3.200]	83.82[3.300]	66	3-146140-2
78.74[3.100]	81.28[3.200]	64	3-146140-1
76.20[3.000]	78.74[3.100]	62	3-146140-0
71.12[2.800]	73.66[2.900]	58	2-146140-9
66.04[2.600]	68.58[2.700]	54	2-146140-8
63.50[2.500]	66.04[2.600]	52	2-146140-7
58.42[2.300]	60.96[2.400]	48	2-146140-6
55.88[2.200]	58.42[2.300]	46	2-146140-5
53.34[2.100]	55.88[2.200]	44	2-146140-4
50.8[2.000]	53.34[2.100]	42	2-146140-3
68.58[2.700]	71.12[2.800]	56	2-146140-2
73.66[2.900]	76.20[3.000]	60	2-146140-1
60.96[2.400]	63.50[2.500]	50	2-146140-0
48.26[1.900]	50.8[2.000]	40	1-146140-9
45.72[1.800]	48.26[1.900]	38	1-146140-8
43.18[1.700]	45.72[1.800]	36	1-146140-7
40.64[1.600]	43.18[1.700]	34	1-146140-6
38.10[1.500]	40.64[1.600]	32	1-146140-5
35.56[1.400]	38.10[1.500]	30	1-146140-4
33.02[1.300]	35.56[1.400]	28	1-146140-3
30.48[1.200]	33.02[1.300]	26	1-146140-2
27.94[1.100]	30.48[1.200]	24	1-146140-1
25.40[1.000]	27.94[1.100]	22	1-146140-0
22.86[.900]	25.40[1.000]	20	146140-9
20.32[.800]	22.86[.900]	18	146140-8
17.78[.700]	20.32[.800]	16	146140-7
15.24[.600]	17.78[.700]	14	146140-6
12.70[.500]	15.24[.600]	12	146140-5
10.16[.400]	12.70[.500]	10	146140-4
7.62[.300]	10.16[.400]	8	146140-3
5.08[.200]	7.62[.300]	6	146140-2
2.54[.100]	5.08[.200]	4	146140-1

SUPERSEDED BY 1-5146140-5

THIS DRAWING IS A CONTROLLED DOCUMENT.

DIN R BROWN 03JUN02
CHK J OLSON 03JUN02
APVD J OLSON 03JUN02

TE Connectivity

AMPMODU MOD II RECEPTACLE ASSEMBLY, HORIZONTAL, .100 CL, 2 ROW, CLOSED-ENTRY, SHORT POINT OF CONTACT, END-TO-END STACKABLE

SIZE A1 CAGE CODE 00779 DRAWING NO. 146140

WEIGHT --

CUSTOMER DRAWING SCALE 5:1 SHEET 1 OF 1 REV N5

X-ON Electronics

Largest Supplier of Electrical and Electronic Components

Click to view similar products for [Headers & Wire Housings](#) category:

Click to view products by [TE Connectivity](#) manufacturer:

Other Similar products are found below :

[95000-104TRLF](#) [10135584-644402LF](#) [DF62W-EP2022PCA](#) [95000-106TRLF](#) [DF62W-2022SCA](#) [DF62W-EP2022PC](#) [2203348](#) [DF62W-2022SC](#) [1084018](#) [1029039](#) [1084017](#) [802-10-012-10-002000](#) [1112640](#) [1112639](#) [891-007-9SS-BST1T](#) [000-34000](#) [0008550134](#) [0009482033](#) [0009507031](#) [57102-F02-18ULF](#) [57102-S06-03LF](#) [57202-S52-04LF](#) [PCN6-15S-2.5E](#) [0039019024](#) [58102-G61-06LF](#) [582553-1](#) [0009485154](#) [0009508121](#) [0022285053](#) [0050291907](#) [018731A](#) [LY20-4P-DT1-P1E-BR](#) [02.125.8002.8](#) [60101931](#) [60598-1 \(Cut Strip\)](#) [M1625-3R/100](#) [61062-3](#) [61082-181009](#) [CSU011177004](#) [636-1427](#) [638009-1](#) [641938-9](#) [641991-4](#) [644168-1](#) [644827-2](#) [647662-1](#) [65039-019ELF](#) [65692-001LF](#) [65781-018](#) [65781-047](#)