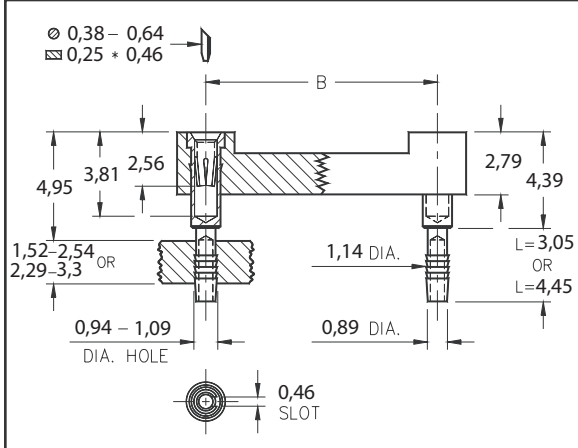




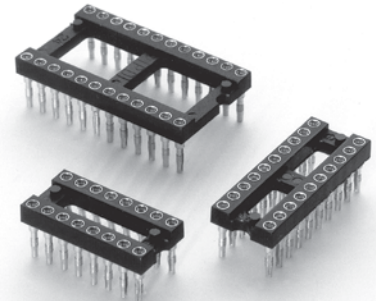
DUAL-IN-LINE SOCKETS

Solderless Press-Fit, Compliant Tail Open Frame

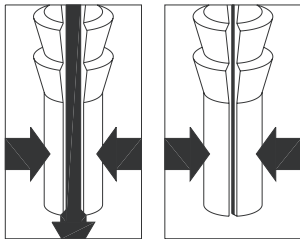
Series 146



- Unique compliant tail pins conform to $1,02 \pm 0,07$ finished hole diameter without stressing inner layers.
- Two tail lengths are offered for 1,52 - 2,54 and 2,29 - 3,3 thick panels.
- Uses M-M# 4612 or 4613 pins with #30 contact rated at 3 amps. See page 131 for pin details.



APPLICATION OF COMPLIANT TAIL PINS



Mill-Max' patented* compliant tail features precision machined pins that are hollow and slotted to conform to a $1,02 \pm 0,07$ diameter PTH. As the pin is inserted, the slot compresses to fit the PTH, thus avoiding damage (see illustration at left). The pin's tail has fine serrations that form a perfect "gas tight" connection that doesn't require soldering. And since the pin doesn't damage the hole, compliant tail sockets and connectors can be easily replaced.

*Patent No. 4,799,904.

Total number of pins				Quantity per tube	Ordering Information					
	L=3,05mm (for 1,52 - 2,54 thick panel)		L=4,45mm (for 2,29 - 3,3 thick panel)		<div style="border: 2px solid green; padding: 5px; font-size: 0.8em;"> For RoHS compliance, select ◇ plating code. For the all gold option (XX=13) also change part number from 146-XX-XXX-41-01X000 to 146-13-XXX-41-01X100 </div>					
	A	B	C				93	99		
6	7,6	7,62	10,1	67	146-XX-306-41-012000	146-XX-306-41-013000	<div style="border: 2px solid green; padding: 10px; font-size: 0.8em; margin-bottom: 20px;"> For RoHS compliance, select ◇ plating code. For the all gold option (XX=13) also change part number from 146-XX-XXX-41-01X000 to 146-13-XXX-41-01X100 </div> <div style="border: 2px solid green; padding: 10px; font-size: 1.2em; margin: 0 auto;"> RoHS 2002/95/EC </div>			
8	10,1	7,62	10,1	50	146-XX-308-41-012000	146-XX-308-41-013000				
14	17,7	7,62	10,1	28	146-XX-314-41-012000	146-XX-314-41-013000				
16	20,3	7,62	10,1	25	146-XX-316-41-012000	146-XX-316-41-013000				
18	22,8	7,62	10,1	22	146-XX-318-41-012000	146-XX-318-41-013000				
20	25,3	7,62	10,1	20	146-XX-320-41-012000	146-XX-320-41-013000				
24	30,4	7,62	10,1	16	146-XX-324-41-012000	146-XX-324-41-013000				
22	27,8	10,16	12,7	18	146-XX-422-41-012000	146-XX-422-41-013000				
24	30,5	15,24	17,7	16	146-XX-624-41-012000	146-XX-624-41-013000				
28	35,5	15,24	17,7	14	146-XX-628-41-012000	146-XX-628-41-013000				
32	40,6	15,24	17,7	12	146-XX-632-41-012000	146-XX-632-41-013000				
40	50,8	15,24	17,7	10	146-XX-640-41-012000	146-XX-640-41-013000				
SPECIFY PLATING CODE XX=				13◇	93	99			43◇	44◇
Sleeve (Pin)				0,25µm Au	5,08µm Sn/Pb	5,08µm Sn/Pb			5,08µm Sn	5,08µm Sn
Contact (Clip)				0,76µm Au	0,76µm Au	5,08µm Sn/Pb			0,76µm Au	5,08µm Sn

X-ON Electronics

Largest Supplier of Electrical and Electronic Components

Click to view similar products for [IC & Component Sockets](#) category:

Click to view products by [Mill-Max](#) manufacturer:

Other Similar products are found below :

[714-43-102-31-012000](#) [0066-3-17-15-30-14-02-0](#) [0134-0-15-15-32-27-04-0](#) [614-DG5](#) [6527-0-00-15-00-00-03-0](#) [670](#) [672](#) [673](#) [712-93-120-41-001000](#) [714-93-104-31-018000](#) [8059-4G1-LF](#) [807-22-001-10-001101](#) [807-22-001-10-003101](#) [807-22-001-10-004101](#) [807-22-001-10-006101](#) [807-22-001-30-011101](#) [807-22-001-30-012101](#) [807-22-001-30-013101](#) [807-22-001-30-014101](#) [8-1437531-4](#) [8150-6P10](#) [833-93-034-10-001000](#) [835-43-014-10-001000](#) [851-41-006-10-001000](#) [851-43-008-20-001000](#) [851-43-014-20-001000](#) [851-93-006-20-001000](#) [851-93-010-20-001000](#) [852-10-026-10-001000](#) [853-43-020-10-001000](#) [86.010.0053.0](#) [116-43-306-41-003000](#) [116-43-308-41-007000](#) [116-87-308-41-007101](#) [PX-68LCC](#) [PX-84LCC](#) [121-13-318-41-001000](#) [121-13-320-41-001000](#) [121-13-308-41-001000](#) [123-43-314-41-801000](#) [123-43-420-41-001000](#) [123-43-636-41-001000](#) [123-87-320-41-001101](#) [122-13-316-41-001000](#) [123-13-624-41-001000](#) [123-43-306-41-001000](#) [123-43-322-41-801000](#) [123-43-428-41-001000](#) [123-43-624-41-001000](#) [12-3513-11](#)