

The logo for Glennair, featuring a large blue 'G' on a white background, followed by the word 'lennair' in a black serif font with a registered trademark symbol. The entire logo is set against a blue background with a white grid pattern.

Glennair®



Shipboard Connector and Conduit Solutions

*Navy Approved MIL-PRF-24758A "BlueJacket"
Conduit Systems, MIL-PRF-28840 Connectors,
EMI/RFI Composite Junction Boxes and More!*

United States ■ United Kingdom ■ Germany ■ France ■ Nordic ■ Italy ■ Spain ■ Japan

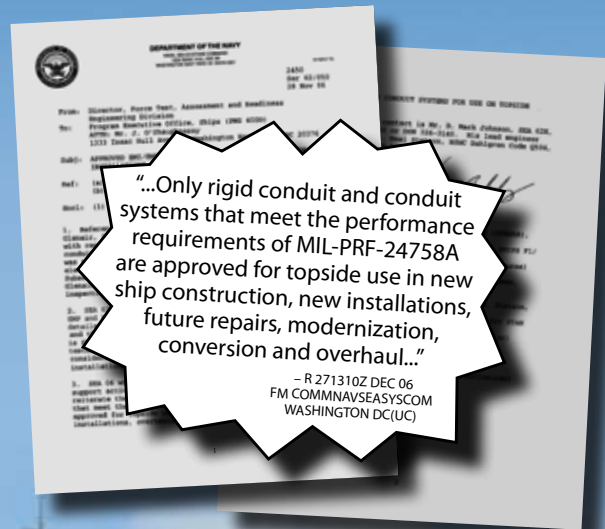
2nd Edition • January 2010

Glenair MIL-PRF-24758A* "BlueJacket" Topside Conduit

Do It Once, Do It Right!

BLUEJACKET

A Seaman in the United States Navy, and the brand name of the Glenair MIL-24758A(SH) Weatherproof EMI Shielded Flexible Conduit System. Although haze gray in color, the product is named "BlueJacket" in honor of the dedicated Navy personnel who work with these products under arduous topside conditions.



*Glenair Still Manufactures and Stocks Legacy MIL-C-24758 Conduit Systems and Fittings. See www.glenair.com.

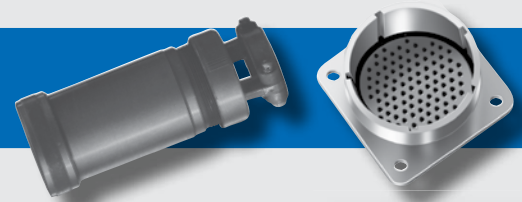
Shipboard Connector and Conduit Solutions

A MIL-PRF-24758A (SH) EMI/EMP Conduit Systems



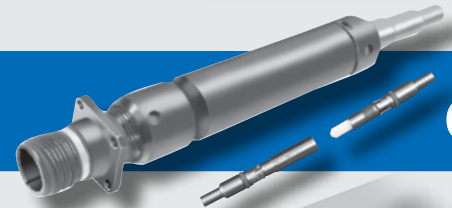
A

B MIL-PRF-28840 Shipboard Electrical Connectors



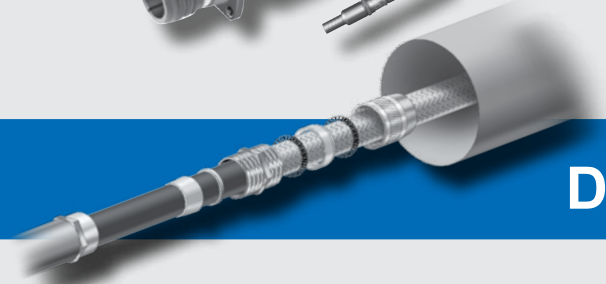
B

C MIL-PRF-28876 Type Fiber Optic Shipboard Connectors



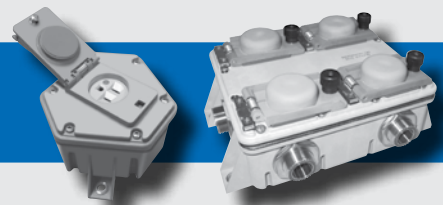
C

D GA-CSGA Cable Shield Grounding Assemblies



D

E Composite Thermoplastic EMI/EMP Junction Boxes



E

F Shipboard Wire and Cable Feed-Throughs



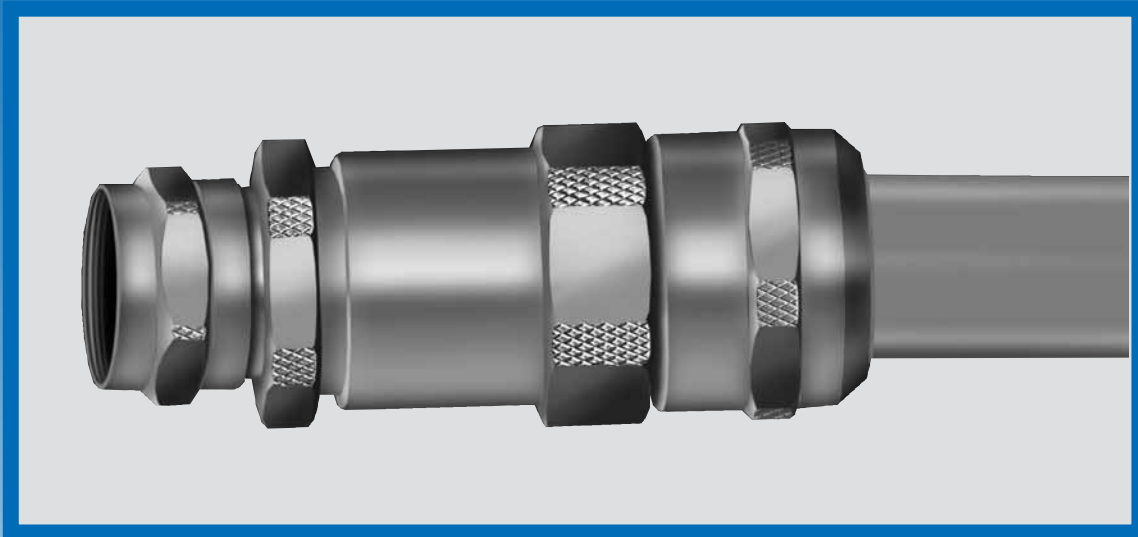
F

G GR2000 and RP2000 Series Fittings and S9407-AB-HBK-010 Naval Sea Systems Command Handbook



G

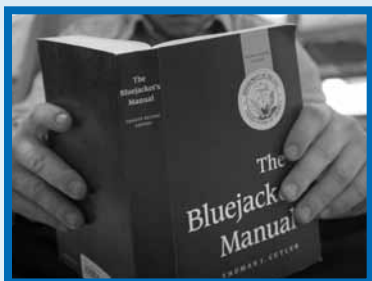
Haze Gray and Underway!



Introducing the Glenair MIL-PRF-24758A “BlueJacket” Conduit System

Most topside shipboard conduit users have simple expectations, such as conduit fittings that don't leak or corrode and will last for the full lifetime of a ship. They also want jacket materials that can withstand high heat, extreme UV radiation, demanding weather conditions and caustic chemicals and fluids.

Glenair's U.S. Navy qualified MIL-PRF-24758A conduit system delivers on these expectations—and a whole lot more. Our shielded brass conduit meets all EMI shielding and surface transfer impedance requirements. Our jacket material, which we've named “BlueJacket” in honor of the dedicated Navy personnel



who work with these products in arduous conditions on a daily basis, is a special formula that exceeds all the specifications of MIL-PRF-24758A. These demanding requirements include UV weathering, temperature tolerance, low smoke and toxicity index, flame resistance, and halogen free (IEC754-1) ratings.

And that's not all. Our unique fitting design provides the easiest assembly and the most reliable performance ever in topside conduit systems—no more loosening, no more leaks, no more corrosion, and no more costly replacement of relatively new components that failed to withstand the harsh environmental challenges of shipboard use.

So whether your requirements call for factory terminated M24758A assemblies with lightweight soldered fittings, or field terminated bulk conduit, adapters and fittings, Glenair *BlueJacket* is “Haze Gray and Underway” and more than ready to exceed all your expectations.



1211 Air Way
Glendale, California 91201-2497
Telephone: 818-247-6000 · Facsimilie: 818-500-9912 · EMail: sales@glenair.com
www.glenair.com

Defense Logistic Agency
First Article Test Report
Qualification Approval Letter



MIL-PRF
24758A

A

MAY-16-2006 13:49

DSCR RICHMOND VA

P.01



DEFENSE LOGISTICS AGENCY
DEFENSE SUPPLY CENTER RICHMOND
8000 JEFFERSON DAVIS HIGHWAY
RICHMOND, VIRGINIA 23297-5100

IN REPLY
REFER TO

DSCR-FAEBA

April 21, 2006

Glenair, Inc.
1211 Air Way
Glendale, Ca. 91201

Gentlemen:

Reference SP0406-06-M-D039, NSN 5975-01-525-3170, First Article Test Report.

The First Article Test Report has been reviewed/evaluated and determined to be acceptable. You are authorized to commence with production of referenced order.

If you need further assistance in this matter, please contact Irene Baskerville/DSCR-FAEBA/ 804-279-6311 or FAX 804-279-3377.

Sincerely,

IRENE P. BASKERVILLE
Acquisition Specialist
Electrical Components IST

cc:
DCMA Los Angeles



DEPARTMENT OF THE NAVY

NAVAL SEA SYSTEMS COMMAND
1333 ISAAC HULL AVE SE
WASHINGTON NAVY YARD DC 20376-0001

IN REPLY TO

2450
Ser 62/050
28 Nov 06

From: Director, Force Test, Assessment and Readiness
Engineering Division

To: Program Executive Office, Ships (PMS 400D)
ATTN: Mr. J. O'Shaughnessy
1333 Isaac Hull Ave SE, Washington Navy Yard, DC 20376

Subj: APPROVED EMI/EMP CONDUIT SYSTEMS FOR USE ON TOPSIDE
INSTALLATIONS

Ref: (a) SEA 62 Memorandum 2450 Ser 06/021 of 29 Jan 04
(b) SEA 62 Letter 2450 Ser 06/055 of 18 Nov 05

Encl: (1) Consolidated Glenair MIL-PRF-24758A Test Report
QTR M24758 of 25 Apr 06
(2) Lothar O. Hoefft, PHD, Report, "Foranne MIL-PRF-24758A
Conduit Assembly Surface Transfer Impedance Test"
of 5 Jul 06 and as revised, 27 Aug 06

1. Reference (a) provided SEA 62E technical review of the Glenair, Inc "First System" conduit testing and documentation with regard to its equivalency to the Entraco "Sea-FROST™" conduit and Termination System. SEA 62E's technical assessment was that the Glenair "First System" product was mechanically and electrically equivalent to the Entraco "Sea-FROST™" system. Subsequently, in response to the issuance of MIL-PRF-24758A(SH), Glenair developed a MIL-PRF-24758A product line. Test and inspection results were provided in enclosure (1).

2. Reference (b) provided the SEA 62E technical review of the Foranne Manufacturing, Inc conduit and components test reports as compared to the MIL-PRF-24758A requirements and recommended that additional testing be conducted to meet the performance requirements of MIL-PRF-24758A. The results of this additional testing were provided in enclosure (2).

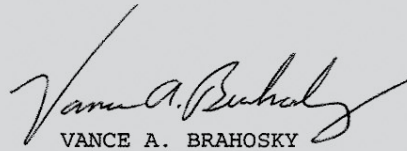
3. SEA 62E, the technical warrant holder for EMI Control, EMC, EMP and RADHAZ for ships and submarines, has completed a detailed technical review of enclosures (1) and (2). Based on this review and the previous review noted in reference (b), it is SEA 62E's assessment that the Foranne Inc "Shield Right" and the Glenair MIL-PRF-24758A products tested meet the performance requirements of MIL-PRF-24758A and are considered acceptable to

Subj: APPROVED EMI/EMP CONDUIT SYSTEMS FOR USE ON TOPSIDE
INSTALLATIONS

use for EMI/EMP control on topside installations onboard US Navy ships.

3. SEA 06 will provide this information to the Fleet and its support activities via Naval message. This message will also reiterate the policy that only rigid conduit and conduit systems that meet the performance requirements of MIL-PRF-24758A are approved for topside use in new ship construction, new installations, overhauls and modernization.

4. The SEA 06 point of contact is Mr. D. Mark Johnson, SEA 62E, Commercial (202) 781-3140 or DSN 326-3140. His lead engineer for MIL-PRF-24758A is Mr. Neal Stetson, NSWC Dahlgren Code Q504, (540) 653-3470 or DSN 249-3470.



VANCE A. BRAHOSKY

Copy to:
Commander, Space and Naval Warfare Systems Command (SPAWAR),
San Diego, CA (w/o Enclosures)
PEO SHIPS, Washington, DC (PMS 400D/J, Odum, R Popp, SHIPS F1/
S. Brown, SHIPS FRC/E. Littig) (w/o Enclosures)
PEO IWS, Washington, DC (IWS1C/LT M. Shine) (w/o Enclosures)
PEO CARRIERS, Washington, DC (w/o Enclosures)
PEO LMW, Washington, DC (CHENG/P. Hagan, PMS 495/G. Humes,
CAPT J. Spitz, K. Haas) (w/o Enclosures)
PEO C4I and SPACE, San Diego, CA (w/o Enclosures)
Commander, NSWC Dahlgren, Dahlgren, VA (Code Q504/N. Stetson,
Code Q54/G. Winters)
Commander, NSWC Dahlgren, Dahlgren, VA (R. Zanella (for STAN
Data Base)) (w/o Enclosures)
Northrop Grumman Ship Systems, Washington DC (N. Buffler)
(w/o Enclosures)
Glenair Inc, Glendale CA (D. Holden) (w/o Enclosures)
Foranne Manufacturing Inc, Ivyland PA (M. Magness)
(w/o Enclosures)
GDIT, Washington DC (M. Craig, A. Church) (w/o Enclosures)
GDIT, Dahlgren VA (B. Ayers) (w/o Enclosures)

What Ever Happened to the MIL-C-24758 EMI/EMP Conduit System?



Answer: This venerable metal-core conduit wire routing and protection system has been *superceded* by the new MIL-PRF-24578A(SH) standard. For all new applications, the U.S. Navy requires engineers to specify only MIL-PRF-24578A(SH) conduit, fittings and adapters. But for repair of existing systems, Glenair still manufactures and stocks the complete line of MIL-C-24758 conduit products. For complete order information on any of the parts listed below, please visit our website: www.glenair.com.

- M24758/1 EMI/EMP Shielding Conduit
- M24758/2 Straight Conduit Fitting
- M24758/3 45° Conduit Fitting
- M24758/4 90° Conduit Fitting
- M24758/5 Conduit-to-Panel Fitting
- M24758/6 Conduit-to-Threaded Pipe Fittings
- M24758/7 Conduit-to-Stuffing Tube Fitting
- M24758/8 Conduit-to-Conduit Fitting
- M24758/9 Adapter for MIL-DTL-5015 Series 3100 Connectors
- M24758/10 Adapter for Triaxial Connectors
- M24758/11 Adapter for Coaxial Connectors
- M24758/12 Adapter for MIL-C-26482 Series I Connectors
- M24758/13 Adapter for Connectors with MS3155 Interface
- M24758/14 Adapter for MIL-C-28840 (EC) Backshells
- M24758/15 Adapter for MIL-C-24235 Stuffing Tubes
- M24758/16 Adapter for Miscellaneous Fittings
- M24758/17 Adapter for Tapered Pipe Thread
- M24758/18 Adapter for Straight Pipe Thread
- M24758/19 Adapter for Panel Termination

Glenair *BlueJacket* Product Line Overview
MIL-PRF-24758A(SH) Qualified
Flexible Waterproof Shielded Shipboard Conduit System



MIL-PRF
24758A

A



Product Features

- Qualified to MIL-PRF-24758A(SH)
- Brass Metal-Core Conduit with EMI Shielding and Durable Glenair *“BlueJacket”* Covering
- Innovative Stainless Steel Fittings with Advanced Environmental Sealing, EMI Shield Termination and Rotatable Coupling Nut
- Available Adapters for all Shipboard Interfaces
- Fully Compatible with Legacy MIL-C-24758 Conduit Systems and Adapters (Still Available from Glenair)
- Corrosion-Resistant 316L Stainless Steel Eliminates Maintenance Cycles and Reduces Assembly Time

“Only Rigid Conduit and Conduit Systems that Meet the Performance Requirements of MIL-PRF-24758A are Approved for Topside Use...”

-U.S. DEPARTMENT OF THE NAVY

When we set out to design an innovative conduit system to meet the requirements of the new MIL-PRF-24758A specification, we had a simple goal in mind: create a conduit system which was easy to install, easy to maintain and tough enough to perform in even the harshest ocean environments. The results couldn't be better. Our new qualified MIL-PRF-24758A Conduit system with its *“BlueJacket”* weatherproof jacketing exceeds the performance specifications for improved waterproof sealing, improved corrosion protection, and improved electromagnetic shielding. In fact, we believe no other conduit system can match the quality and performance of our new *“Bluejacket”* system. The U.S. Navy has cast its vote: Glenair's MIL-PRF-24758A conduit systems are the first products approved by the Navy under the new specification for topside use in new ship construction, new installations, future repairs, overhauls and modernization. The reference message is COMNAVSEASYS COM 2713107 December 06.

Glenair's *“BlueJacket”* weatherproof conduit is halogen free, flame resistant, and functional to 260°C. *“BlueJacket”* far surpasses the accelerated solar weathering standards under IEC 60068-2-5. Glenair's *“BlueJacket”* tested to 56 accelerated days, equivalent to 53 years of solar exposure. Our new fittings and adapters are equally impressive. The nickel plated 316L stainless steel components are equipped with rotatable couplings to simplify field installation. The design also offers improved environmental sealing and improved metal-to-metal termination of EMI shielding.

A

This selection guide is designed to assist you with the selection of components and planning for installation of MIL-PRF-24758A(SH) conduit and fittings. Per current U.S. Navy policy, only MIL-PRF-24758A qualified systems are now approved for topside use. To cross over part numbers from other manufacturers or the original MIL-C-24758 specification, please contact the factory at (818) 247-6000.

Each point-to-point conduit assembly will require a length of bulk conduit, 2 conduit fittings (M24758-2, -3, or -4) and 2 adapters (M24758-9 through M24758-25). You have three basic options for putting all these parts together:

- (1) Specify user installable components (bulk lengths of conduit, fittings and adapters designed for field assembly),
- (2) Select made-to-order conduit assemblies built at the factory according to your exact size, length and routing requirements, or
- (3) Use a combination approach in which one end of the conduit is terminated at the

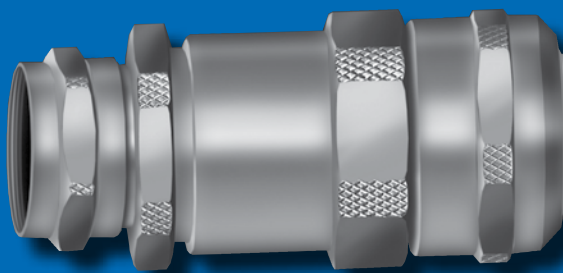
factory with lightweight solder fittings, while the other end is terminated in the field with user installable fittings and adapters.

Step 1: Select Correct Conduit Size

Conduit size is identified by its inside diameter (ID). The ID is referenced with a size code. The range of available sizes includes .25 inch (M24758-A) through 3.0 inch (M24758-L).

Conduit is normally filled at up to 90% of its inside diameter. Verify the cable diameter used before selecting the conduit diameter. Low smoke shipboard cable (MIL-C-24643) may have a thicker jacket material than regular (MIL-C-915 and MIL-C-24640) cables and require larger diameter conduit and fittings, so be sure to take this into account.

The shipboard interface, i.e. the diameter of the stuffing tube on the ship the conduit assembly will attach to, is the other key data point for conduit size selection. In a well-designed system, the diameter of the conduit, fitting, adapter and stuffing tube all need to be the same. For example, a size code "D" (1 inch)



Stainless steel M24758 fittings for field termination and assembly are supplied in straight, 45° and 90° designs. Glenair MIL-PRF-24758A qualified fittings feature unique metal-to-metal shield termination, robust environmental sealing, and a rotatable coupling for easy attachment of M24758 series adapters. Both the environmental sealing and EMI shielding functions incorporate design ideas adapted from military standard backshells, including environmental o-rings, cable-sealing glands and cone-and-ring style shield terminations.

conduit would be selected when the stuffing tube on the ship is also 1 inch in diameter.

NOTE 1: The color of Mil-PRF-24758A conduit is standard US Navy haze gray in accordance with Fed Std 595B #26270. If other colors are desired, contact the factory at (818) 247-6000.

NOTE 2: Conduit internal dimensions 3/8", 5/8", and 3" have been omitted from the MIL-PRF-24758A specification. Products using these dimensions, built to the same standards, are still available from Glenair.

NOTE 3: The operating temperature variant of the M24758A jacket material used on the conduit is -70°C to + 200°C. For higher temperature materials, contact the factory.

Step 2: Select Conduit Fittings

The function of the M24758 conduit fitting is to terminate M24758 flexible shielding conduit and to provide a standard thread for attaching M24758-9 through M24758-24 adapters. Fittings are supplied in straight, 45° and 90° configurations to facilitate the routing of the conduit into and out of kick-pipes and other interfaces to the ship. Selection is a simple

matter of matching the size code in the part number with the size code of the selected conduit. Your selection of a straight, 45° or 90° angled part will depend on the routing requirements of your system.

NOTE 1: All conduit fittings and adapters feature a combination of hex wrench flats and knurls to minimize the need for special installation tools.

NOTE 2: Glenair recommends the use of torque wrenches to ensure conduit fittings and adapters are mated with the optimal amount of torque. Torque wrenches required for installation are available from Glenair. Please see page 55 for tool order information.

All conduit fittings and adapters are matte finished, nickel plated, 316L stainless steel. If other materials are desired, contact the factory.

Step 3: Select Appropriate Adapters

As noted, the conduit fittings selected in step 2 provide a standard thread for the attachment of various adapters. The adapters are used to mate the conduit assembly to the many interfaces found on the ship, such as stuffing tubes or kick-pipes with tapered



Flexible bulk conduit is supplied with a brass metal core, phosphorus bronze metal overbraiding and Glenair "BlueJacket" outer jacketing material which has been optimized for shipboard and other harsh application environments.

Factory terminated conduit fittings provide the ultimate flexibility in system specification. The lightweight solder fittings mate to all M24758 adapters and offer a maintenance-free alternative to user installed fittings.

A

NPT threads. Adapters are also available to facilitate mating of the conduit assembly to various military standard cylindrical connectors. The following are a selection of the standard adapters covered by MIL-PRF-24758A and supplied by Glenair:

1. Stuffing tube adapter (AKA swage tube or kick pipe adapter): These adapters are identified by the stuffing tube size and conduit diameter. See the M24758-15 drawing.

2. Panel adapter (AKA junction box adapter or interconnecting box adapter): These adapters are identified by the conduit size. The required mounting hole size is shown on M24758-19 and 25 adapters.

3. NPT adapter (AKA tapered pipe thread adapter): These adapters are identified by the NPT thread size and conduit size. See the M24758-17.

4. NPSM adapter (AKA National Pipe Thread Standard adapter): These adapters are identified by the NPSM thread and conduit size. See the M24758-18 drawing.

5. Splice (AKA conduit union adapter): These adapters are used, in conjunction with M24758-2 fittings, to join two sections of conduit together. See the M24758-23 drawing.

6. MS3100 Series MIL-C-5015 Connector adapter: These adapters are used with the obsolete MS3100 series solder style connectors. See the M24758-9 drawing.

NOTE 1: Do not use the M24758-9 series adapters for MS3400 and MS3450 crimp contact connectors. See item 10 below.

NOTE 2: Glenair recommends replacing MS3100 series connectors (and M24758-19 adapters) with the MS3400 series connectors and M24758-13 series adapters.

7. Triaxial connector adapter: These adapters connect the conduit fitting to triaxial connectors. Contact the factory for the order information.

8. Coaxial connector adapter: These adapters connect the conduit fitting to coaxial RF connectors. See the M24758-11 drawing.

9. MIL-C-26482 connector adapter: These adapters connect the conduit fitting to the obsolete MIL-C-26482, series 1 connectors. See the M24758-12 drawing.

NOTE 1: Glenair recommends replacing MS312X series connectors (and M24758-12 adapters) with the MIL-C-26482 series 2, MS347X connectors (and M24758-13 series adapters).

10. MIL-C-5015, MIL-C-26482, MIL-C-81703 and MIL-C-83723 series crimp contact connector adapter: These adapters connect the conduit fitting to MS3400, MS3450 and other MIL-C-5015 crimp style connectors, and MS347X, MIL-C-26482 series connectors. See the M24758-13 drawing.

11. MIL-C-28840 connector adapter: These adapters connect the conduit fitting to MIL-C-28840 series connectors. See the M24758-14 drawing.

12. MIL-D-38999 series connector adapters: These adapters connect the conduit fitting to MS 27XXX, series 1 and 2, and D38999 series III and IV connectors. See the M24758-20 drawing.

13. MIL-C-22992 series connector adapters: These adapters connect the conduit fitting to M1734X connectors. See the M24758-21 drawing. Contact factory for MIL-C-22992 Class L connector adapters.

14. Glenair Series 22 adapter: These adapters connect the conduit fitting to Glenair Series 22 connectors. See the M24758-22 drawing.

15. Multiple shield termination adapters: These adapters provide a shield termination mechanism for individual wire shields. See the M24758-24 drawing.

MIL-PRF-24785-25 Through -37

A massive second wave of dash numbers added to the spec subsequent to the initial release. These adapters handle everything from 90° routing of conduits into and out of stuffing tubes, panels and pipes to the integration of lightweight PEEK conduit. Glenair has qualified on all the new dash numbers, offering our shipboard customers the only comprehensive source for these critical components.

Glenair BlueJacket
U.S. Navy Qualified Jacketing Material
Material Specification



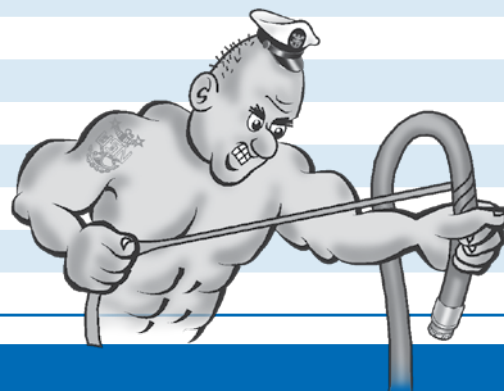
MIL-PRF
24758A

A

Glenair has developed and qualified a new formula jacketing material, which we are calling "BlueJacket" in honor of the men and women of the U.S. Navy who work with these products in arduous conditions on a daily basis. The material is low smoke, halogen free, high UV tolerant, and meets both U.S. Navy and aerospace fluid requirements. The color of Mil-PRF-24758A "BlueJacket" conduit is standard US Navy haze gray in accordance with Fed Std 595B #26270. If other colors are desired, contact the factory at (818) 247-6000. The material has the following performance characteristics:

GLENAIR "BLUEJACKET" MATERIAL SPECIFICATIONS

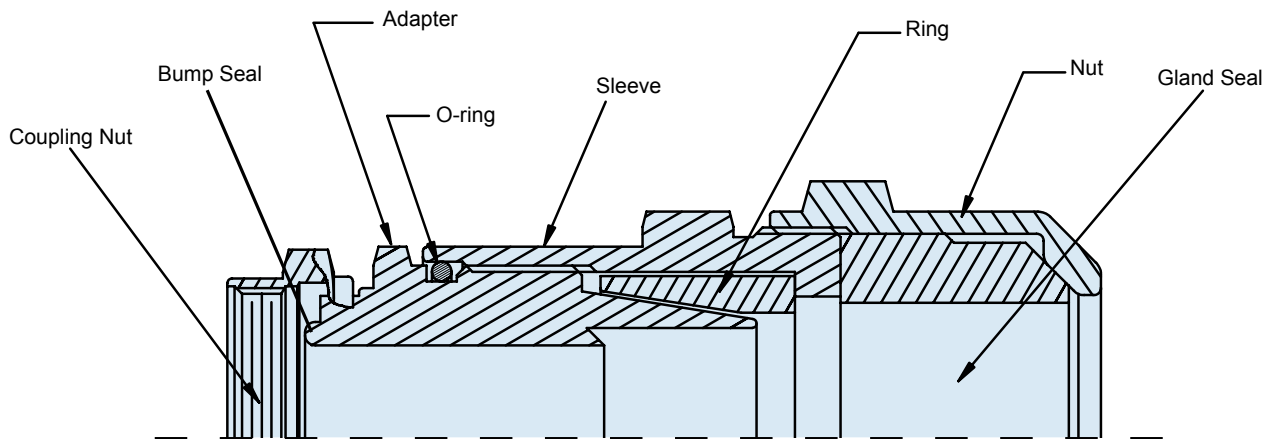
Temperature rating: -70°C to +200°C (with excursions to 260°C)
Halogen free per IEC 60614-1. Less than 5mg of hcl per 1 gm of product tested.
Accelerated Weathering (Solar) per IEC 60068-2-5; 56 days exposure
Flame Resistant per IEC 60614-1; Material does not sustain combustion when the source of flame is removed.
Low Smoke Index per NES 711 (11.75); Minimum standard is 25. The Glenair tested level is 11.75. This makes the material acceptable for interior applications as well as topside.
Smoke Density Class F1 Per NF F 16-101 IAW DIN EN 60695-2-11:2001
Toxicity Index per NES 713 (1.9); Minimum standard is 5. The Glenair tested level is 1.9. This makes the material acceptable for interior applications as well as topside.
Colorable to Fed Std 595B
Markable IAW MIL-PRF-24758A
Oxygen Limiting Index = 45.1 Per EN ISO 4589-2:1999; Minimum is 28.
12 Sec Vertical Burn: (Pass) Per 14CFR Part 25.853(a) amdt 25-116 App F Part 1 (a)(1)(ii)
Fluids Per MIL STD 810F, Method 504
Fuel (MIL-T-83133): JPG
Hydraulic Fluid (MIL H 5606): ROYCO 756
Lube Oil (MIL-L-23699): ROYCO-500
Cleaner (MIL-C-85570): CALLA-855
Solvent (Isopropyl Alcohol): TT-I-735
De Icer (AMS-1432): E36 Runway Deicer
Coolant (MIL-C-87252): Coolanol 25R
Fire Extinguishant Foam: AMEREX AFFF



MASTER SEAL Self-Vulcanizing Sealing Tape

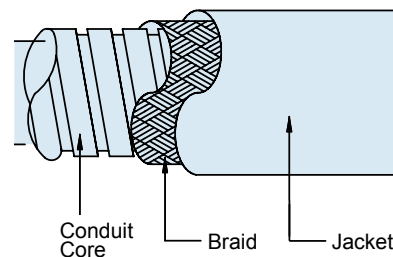
GLENAIR PART NO. 687-758

"BlueJacket" material sealing tape designed for temporary repair of topside conduit. Glenair Master Seal stops water incursion into conduit until a permanent repair using MIL-PRF-24758A system components can be made.



Tools:

Tin snips or scissors capable of trimming conduit and braid
 Hacksaw, chop saw or tubing cutter
 Anti Seize Compound such as NSN 8030-01 450 4009 Tef Gel
 Razorblade
 Adjustable wrench (Rigid E110 or similar)
 Silicone O-ring lube
 Vice or second wrench
 Needle-nose pliers



Preassembly instructions: Disassemble fitting and ensure all thread engagements are smooth and burr free. Lubricate gland and O-ring with silicone lube.

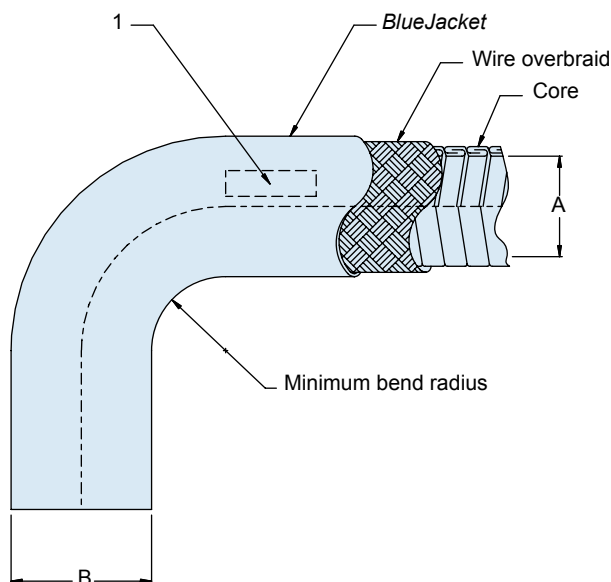
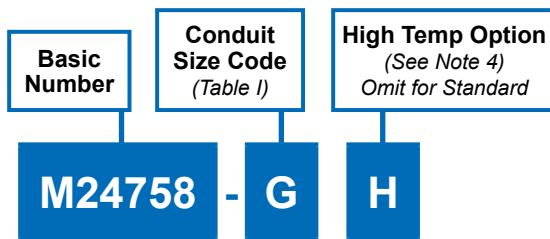
1. Measure conduit to desired length (better long than short) and cut to length.
2. Using snips, trim end of conduit, braid and jacket. Ensure all bent edges are removed or smoothed.
3. Slide sleeve, nut and gland seal up conduit (out of way).
4. Using ring as a guide, cut jacket back 1/4" (6.35mm) wider than ring.
5. Slide ring over braid to edge of jacket.
6. Insert cone portion of adapter under braid and ring over conduit core. Apply anti seize to threads.
7. Slide sleeve down conduit and engage threads on adapter. Tighten sleeve until it bottoms out against adapter. O-ring should not be visible.
8. Slide gland seal and nut down to engage thread on sleeve. Tighten until only a small portion of blue gland 1/32" (.793mm) seal is visible above nut.

MIL-PRF-24758-
EMI/EMP Shielding Conduit
with Glenair *BlueJacket*



MIL-PRF
24758A

A

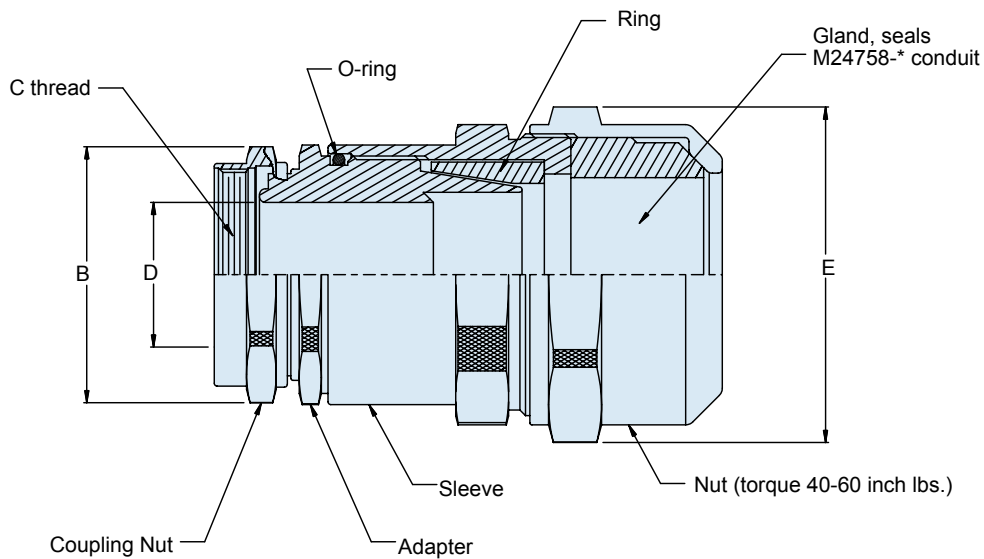
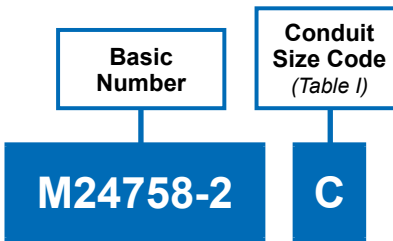


CONDUIT SIZE CODE	A I.D. MIN	B O.D. MAX	MINIMUM BEND RADIUS
A	.25 (6.35)	.62 (15.748)	1.25 (31.75)
B	.50 (12.7)	.89 (22.606)	2.50 (63.5)
C	.75 (19.05)	1.14 (33.06)	3.75 (95.25)
D	1.00 (25.4)	1.45 (36.83)	5.00 (127.0)
E	1.25 (31.75)	1.70 (43.2)	6.25 (158.75)
F	1.50 (38.1)	1.95 (49.53)	7.50 (190.5)
G	2.00 (50.8)	2.48 (62.992)	10.00 (254.0)
H	2.50 (63.5)	2.98 (75.692)	12.50 (317.5)
J	.37 (9.398)	.74 (18.796)	2.00 (50.8)
K	.62 (15.748)	1.02 (25.908)	3.00 (76.2)
L	3.00 (76.2)	3.48 (88.392)	15.00 (381.0)

APPLICATION NOTES

- Conduit identified with M24758-* Glenair "BlueJacket" halogen free. Marking shall be applied on the conduit jacket. "*" = Conduit Size code.
- Material:
Core - Brass
Wire overbraid - Phosphorus bronze
Jacket - Glenair *BlueJacket* (U.S. Navy haze grey color).
- Metric dimensions (mm) are indicated in parentheses.
- MIL-PRF-24758A operating temperature range: -40°C to + 125°C. (Select Designator "H" for high temperature *BlueJacket* option, -65°C to +260°C.)

A



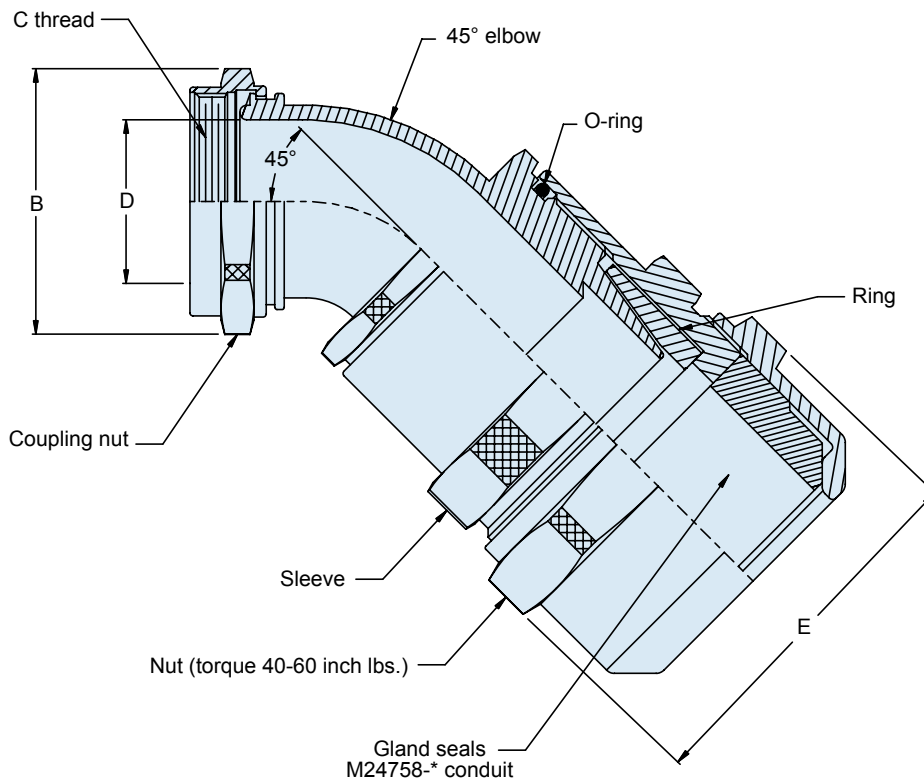
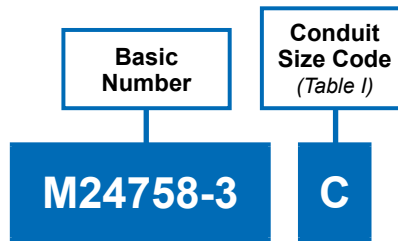
APPLICATION NOTES

1. Assembly identified with manufacturer's code identification number (Glenair, part number and classification code 490).
2. The function of the M24758-2 fitting is to terminate M24758-* flexible shielding conduit and to provide a standard thread for attaching all M24758-9 through M24758-21 fittings.
3. Material / Finish:
Adapter, nuts, sleeve & ring - 316 / electroless nickel, matte finish.
O-ring and gland - silicone rubber / NA.
4. Metric dimensions (mm) are indicated in parentheses.

TABLE I				
CONDUIT SIZE CODE	C CLASS - 2B THREAD	B DIA MAX	D DIA MIN	E DIA MAX
A	.438-28 UNEF	.88 (22.35)	.245 (6.22)	1.14 (28.96)
B	.688-24 UNEF	1.13 (28.70)	.495 (12.57)	1.46 (37.08)
C	.938-20 UNEF	1.38 (35.05)	.745 (18.92)	1.78 (45.21)
D	1.250-18 UNEF	1.69 (42.93)	.995 (25.27)	2.03 (51.56)
E	1.563-18 UNEF	2.00 (50.80)	1.245 (31.62)	2.28 (57.91)
F	1.875-16 UN	2.31 (58.67)	1.495 (37.97)	2.53 (64.26)
G	2.375-16 UN	2.94 (74.65)	1.995 (50.77)	3.14 (79.76)
H	2.875-16 UN	3.44 (87.38)	2.495 (63.37)	3.65 (92.71)
J	.563-24 UNEF	.94 (23.88)	.370 (9.40)	1.34 (34.04)
K	.813-20 UNEF	1.19 (30.23)	.620 (15.75)	1.65 (41.91)
L	3.375-16 UN	3.94 (100.08)	2.995 (76.07)	4.15 (105.41)

TABLE II RECOMMENDED TORQUE			
CONDUIT SIZE CODE	± 5 Inch lbs.		
	C THREAD	SLEEVE	Nut
A	50	120	40-60
B	75	140	40-60
C	100	150	40-60
D	120	170	40-60
E	140	170	40-60
F	150	170	40-60
G	170	170	40-60
H	170	170	40-60
J	50	120	40-60
K	75	140	40-60
L	170	170	40-60

A



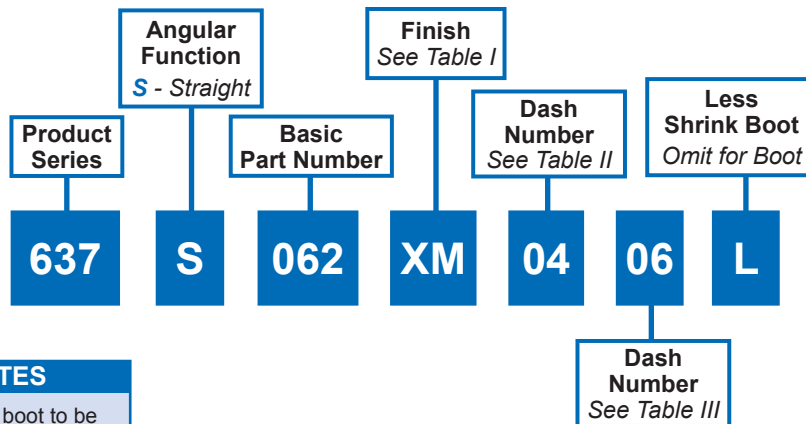
APPLICATION NOTES

1. Assembly identified with manufacturer's code identification number (Glenair, part number and classification code 490).
2. The function of the M24758-3 fitting is to terminate M24758-* flexible shielding conduit and to provide a standard thread for attaching onto M24758-9 through M24758-25 fittings.
3. Material / Finish:
Adapter, nuts, sleeve & ring - 316 / electroless nickel, matte finish.
O-ring and gland - silicone rubber / NA.
4. Metric dimensions (mm) are indicated in parentheses.

637-062 Composite Shrink Boot Feed-Through Adapter Jam Nut Mount Environmental



Feed
Throughs



APPLICATION NOTES

1. Consult factory for shrink boot to be supplied with product.
2. Metric dimensions (mm) are indicated in parentheses.

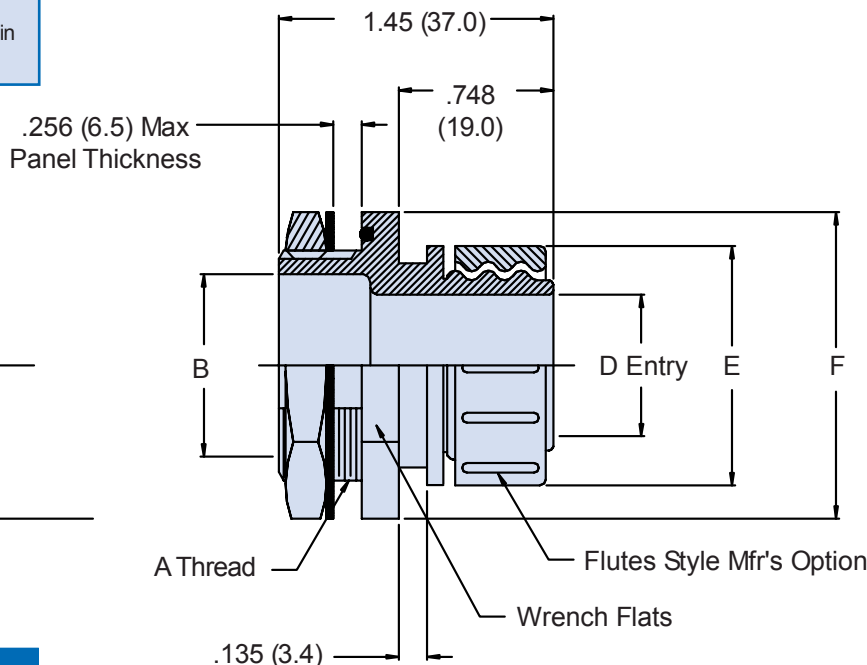
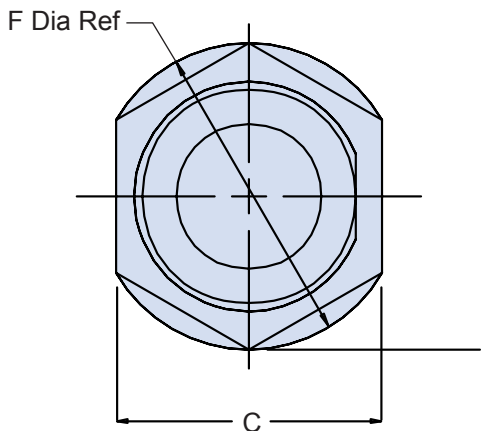


TABLE I: Finish

XM	Electroless Nickel
XW	Cadmium Olive Drab Over Electroless Nickel

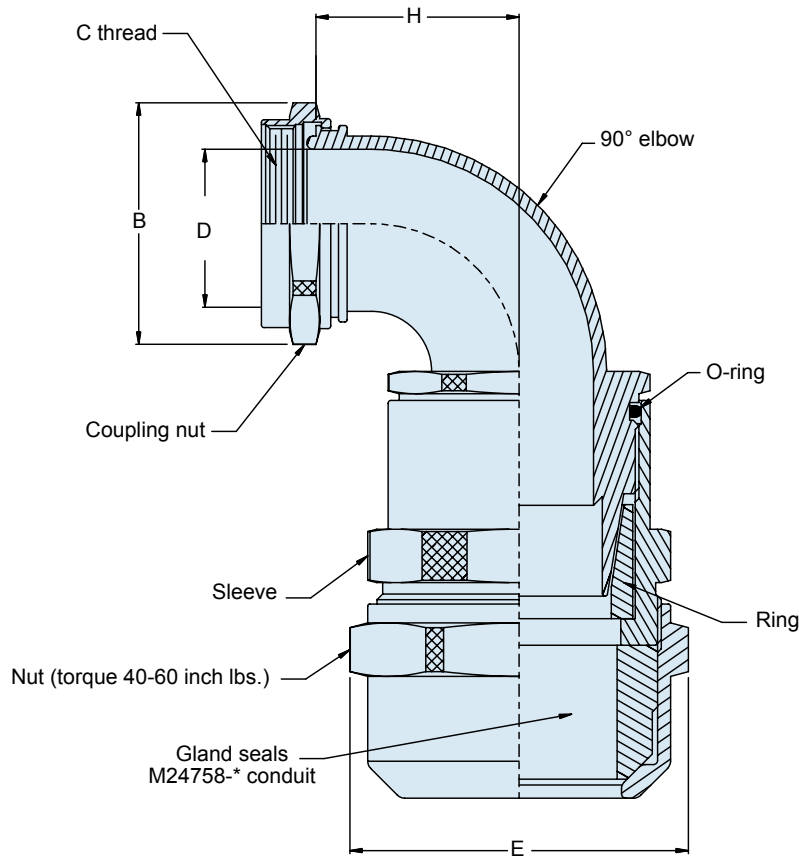
TABLE II: Dash Number, Max Entry

Dash No.	A Thread ISO Metric	B Dia Min	C Max	F Dia	Max Entry Table III
01	M 16 x 1.5-6g	.394 (10.0)	.98 (24.9)	1.10 (27.9)	03
02	M 20 x 1.5-6g	.551 (14.0)	1.18 (30.0)	1.31 (33.3)	04
03	M 27 x 2.0-6g	.866 (22.0)	1.50 (38.1)	1.63 (41.4)	07
04	M36 x 2.0-6g	1.181 (30.0)	1.97 (54.1)	2.13 (54.1)	08

TABLE III: Dash Number

Dash No.	D		E Max
	+ .03	(.8)	
	- .00	(.0)	
01	.125 (3.2)	.531 (13.5)	
02	.250 (6.4)	.656 (16.7)	
03	.375 (9.5)	.781 (19.8)	
04	.500 (12.7)	.906 (23.0)	
05	.625 (15.9)	1.031 (26.2)	
06	.750 (19.1)	1.156 (29.4)	
07	.875 (22.2)	1.281 (32.5)	
08	1.000 (25.4)	1.406 (35.7)	

A

**Basic
Number**
**Conduit
Size Code**
(Table I)
M24758-4
C

APPLICATION NOTES

1. Assembly identified with manufacturer's code identification number (Glenair, part number and classification code 490).
2. The function of the M24758-4 fitting is to terminate M24758-* flexible shielding conduit and to provide a standard thread for attaching onto M24758-9 through M24758-25 fittings.
3. Material / Finish:
Adapter, nuts, sleeve & ring - 316 / electroless nickel, matte finish.
O-ring and gland - silicone rubber / NA.
4. Metric dimensions (mm) are indicated in parentheses.

TABLE I					
CONDUIT SIZE CODE	C CLASS - 2B THREAD	B DIA MAX	D DIA MIN	E DIA MAX	H DIM ± .06 (1.52)
A	.438-28 UNEF	.88 (22.35)	.245 (6.22)	1.14 (28.96)	.81 (20.57)
B	.688-24 UNEF	1.13 (28.70)	.495 (12.57)	1.46 (37.08)	1.12 (28.45)
C	.938-20 UNEF	1.38 (35.05)	.745 (18.92)	1.78 (45.21)	1.47 (37.34)
D	1.250-18 UNEF	1.69 (42.93)	.995 (25.27)	2.03 (51.56)	1.81 (45.97)
E	1.563-18 UNEF	2.00 (50.80)	1.245 (31.62)	2.28 (57.91)	2.12 (53.85)
F	1.875-16 UN	2.31 (58.67)	1.495 (37.97)	2.53 (64.26)	2.50 (63.50)
G	2.375-16 UN	2.94 (74.68)	1.995 (50.67)	3.14 (79.76)	3.12 (79.25)
H	2.875-16 UN	3.44 (87.38)	2.495 (63.37)	3.65 (92.71)	3.25 (82.55)
J	.563-24 UNEF	.94 (23.88)	.370 (9.40)	1.34 (34.04)	.93 (23.62)
K	.813-20 UNEF	1.19 (30.23)	.620 (15.75)	1.65 (41.91)	1.25 (31.75)
L	3.375-16 UN	3.94 (100.08)	2.995 (76.07)	4.15 (105.41)	4.50 (114.30)

TABLE II RECOMMENDED TORQUE			
CONDUIT SIZE CODE	± 5 Inch lbs.		
	C THREAD	SLEEVE	Nut
A	50	120	40-60
B	75	140	40-60
C	100	150	40-60
D	120	170	40-60
E	140	170	40-60
F	150	170	40-60
G	170	170	40-60
H	170	170	40-60
J	50	120	40-60
K	75	140	40-60
L	170	170	40-60

MIL-PRF-24758-5
Straight Conduit to Panel Fitting



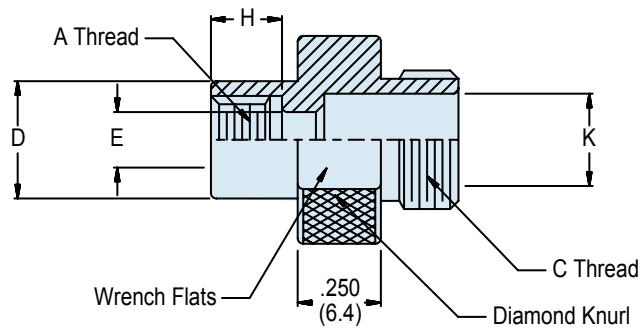
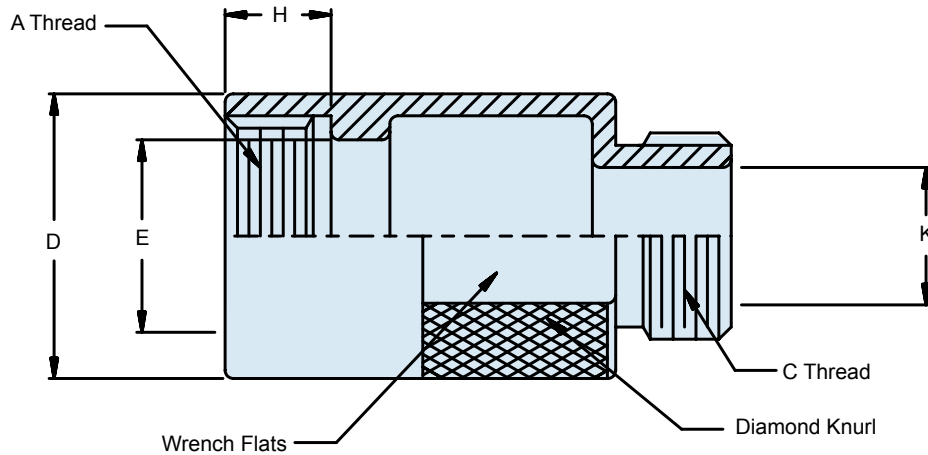
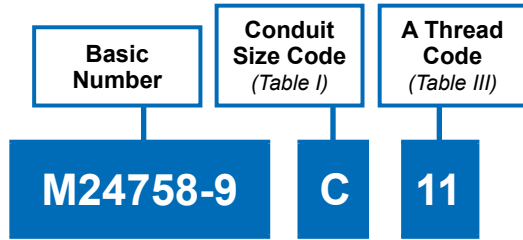
MIL-PRF
24758A

A

TABLE I				
CONDUIT SIZE CODE	A CLASS - 2A THREAD	B DIA ±.06 (1.5)	D DIA MIN	E MAX DIA
A	.625-24 UNEF	1.000 (25.40)	.245 (6.2)	1.140 (29.0)
B	.875-20 UNEF	1.250 (31.75)	.495 (12.6)	1.460 (37.1)
C	1.188-18 UNEF	1.562 (39.67)	.745 (18.9)	1.780 (45.2)
D	1.438-18 UNEF	1.812 (46.02)	.995 (25.3)	1.030 (26.2)
E	1.750-16 UN	2.125 (53.98)	1.245 (31.6)	2.280 (57.9)
F	2.000-16 UN	2.375 (60.33)	1.495 (38.0)	2.530 (64.3)
G	2.500-16 UN	2.875 (73.03)	1.995 (50.7)	3.140 (79.8)
H	3.000-16 UN	3.375 (85.73)	2.495 (63.4)	3.650 (92.7)
J	.750-20 UNEF	1.125 (28.58)	.370 (9.4)	1.340 (34.0)
K	1.000-20 UNEF	1.500 (38.10)	.620 (15.7)	1.650 (41.9)
L	3.500-16 UN	3.750 (95.3)	2.995 (76.1)	4.150 (105.4)

TABLE II RECOMMENDED TORQUE (See Note 3)		
CONDUIT SIZE CODE	± 5 Inch lbs.	
	A THREAD	SLEEVE
A	40	120
B	45	140
C	50	150
D	80	170
E	80	170
F	80	170
G	80	170
H	80	170
J	45	120
K	50	140
L	80	170

A



Optional Configuration Supplied
when E Diameter is Equal or Less than K Diameter

TABLE I		
CONDUIT SIZE CODE	C CLASS - 2A THREAD	K DIA MIN
A	.438-28 UNEF	.245 (6.22)
B	.688-24 UNEF	.490 (12.57)
C	.938-20 UNEF	.745 (18.92)
D	1.250-18 UNEF	.995 (25.27)
E	1.563-18 UNEF	1.245 (31.62)
F	1.875-16 UN	1.495 (37.97)
G	2.375-16 UN	1.995 (50.67)
H	2.875-16 UN	2.495 (63.37)
J	.563-24 UNEF	.370 (9.40)
K	.813-20 UNEF	.620 (15.75)
L	3.375-16 UN	2.995 (76.07)

APPLICATION NOTES

1. Assembly identified with manufacturer's code identification number (Glenair, part number and classification code 490).
2. The function of the M24758-9 couples MIL-C-5015 connectors (MS3100, MS3101, MS3106 and MS-series end bells) to M24758-2, MS24758-3 or M24758-4 fittings.
3. For MIL-DTL-5015, MS3400 series, the M24758-13 adapter shall be used.
4. See Table III for A Thread torque values.
5. Material / Finish:
Adapter - 316 / electroless nickel, matte finish
6. Metric dimensions (mm) are indicated in parentheses.

MIL-PRF-24758-9 Adapter for MS3100 Series MIL-DTL-5015 Connectors



MIL-PRF
24758A

A

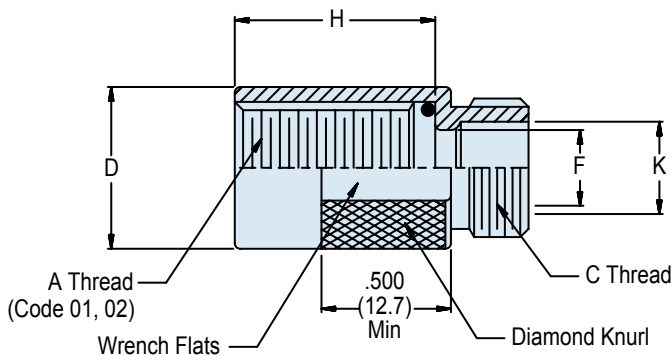
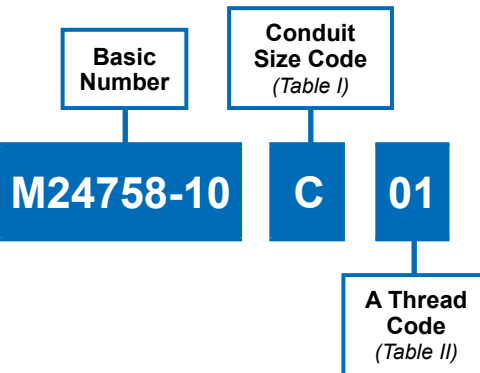
TABLE II: MIL-DTL-5015 CONNECTOR CODE

CONNECTOR CODE	CLASS	MANUFACTURER	SERIES
A		All Manufacturers	MS-Series Endbell
B	A	Amphenol	MS3100, MS3101, MS3106, 97-3100, 97-3101, 97-3106
C	E & R	Amphenol	MS3100, MS3101, MS3106, 97-3100, 97-3101, 97-3106
D	A, E & R	Bendix	MS3100, MS3101, MS3106, 10-214, 10-720, 10-721, 10-726
E	A	Cannon	MS3100, MS3101, MS3106, CA3101, CA3106
F	E & R	Cannon	MS3100, MS3101, MS3106

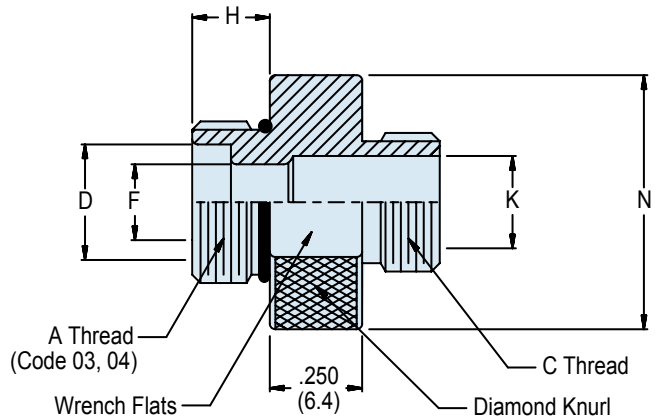
TABLE III: A-THREAD CODE AND ADAPTER DIMENSIONS

A THREAD CODE	CONNECTOR SHELL SIZE	CONNECTOR CODE (SEE TABLE II)	A CLASS-2B THREAD	D DIA ±.02 (0.5)	E DIA ±.02 (0.5)	H ±.02 (0.5)	A THREAD TORQUE VALUES
01	8S	D	.375-32 UNEF	.500 (12.70)	.280 (7.11)	.180 (4.6)	40 inch lbs.
02	8S	B	.438-27 UNS	.560 (14.22)	.340 (8.64)	.210 (5.3)	40 inch lbs.
03	8	C, E, F	.438-28 UNEF	.560 (14.22)	.340 (8.64)	.210 (5.3)	40 inch lbs.
04	8S	A	.500-28 UNEF	.620 (15.75)	.370 (9.40)	.210 (5.3)	40 inch lbs.
04	10S	A, B, C, D, E	.500-28 UNEF	.620 (15.75)	.370 (9.40)	.210 (5.3)	40 inch lbs.
05	10S	E	.563-24 UNEF	.680 (17.27)	.450 (11.43)	.250 (6.4)	40 inch lbs.
05	10SL	E, F	.563-24 UNEF	.680 (17.27)	.450 (11.43)	.250 (6.4)	40 inch lbs.
06	10SL	A, B, C, D	.625-24 UNEF	.750 (19.05)	.500 (12.70)	.250 (6.4)	40 inch lbs.
06	12, 12S	A, D, F	.625-24 UNEF	.810 (20.57)	.570 (14.48)	.250 (6.4)	40 inch lbs.
07	12, 12S	B, C, E	.688-24 UNEF	.810 (20.57)	.570 (14.48)	.250 (6.4)	40 inch lbs.
08	12SL	A	.750-20 UNEF	.870 (22.10)	.620 (15.75)	.280 (7.1)	40 inch lbs.
08	14, 14S	A, B, C, D, E, F	.750-20 UNEF	.870 (22.10)	.620 (15.75)	.280 (7.1)	40 inch lbs.
09	16, 16S	A, B, C, D, E, F	.875-20 UNEF	1.000 (25.40)	.750 (19.05)	.280 (7.1)	40 inch lbs.
10	18	A, B, C, D, E, F	1.000-20 UNEF	1.120 (28.45)	1.000 (25.40)	.280 (7.1)	40 inch lbs.
11	20	B, D, E, F	1.125-18 UNEF	1.250 (31.75)	1.000 (25.40)	.280 (7.1)	80 inch lbs.
12	20	C	1.125-24 UNS	1.250 (31.75)	1.000 (25.40)	.280 (7.1)	80 inch lbs.
13	20, 22	A	1.188-18 UNEF	1.310 (33.27)	1.060 (26.92)	.280 (7.1)	80 inch lbs.
14	22	B, C, D, E, F	1.250-18 UNEF	1.370 (34.80)	1.120 (28.45)	.280 (7.1)	80 inch lbs.
15	24	B, C, D, E, F	1.375-18 UNEF	1.500 (38.10)	1.250 (31.75)	.280 (7.1)	80 inch lbs.
16	24, 28	A	1.438-18 UNEF	1.560 (39.62)	1.310 (33.27)	.280 (7.1)	120 inch lbs.
17	28	B, C, D, E, F	1.625-18 UNEF	1.750 (44.45)	1.500 (38.10)	.280 (7.1)	120 inch lbs.
18	32	A	1.750-18 UNS	1.870 (47.50)	1.620 (41.15)	.280 (7.1)	120 inch lbs.
19	32	D, E, F	1.875-16 UN	2.000 (50.80)	1.750 (44.45)	.280 (7.1)	120 inch lbs.
20	32	B, C	1.906-18	2.030 (51.56)	1.780 (45.21)	.280 (7.1)	120 inch lbs.
21	36	A	2.000-18 UNS	2.120 (53.85)	1.870 (47.50)	.310 (7.9)	120 inch lbs.
22	36	D	2.063-16 UNS	2.180 (55.37)	1.930 (49.02)	.280 (7.1)	120 inch lbs.
23	36	C	2.063-20	2.180 (55.37)	1.930 (49.02)	.310 (7.9)	120 inch lbs.
24	36	E, F	2.125-16 UN	2.250 (57.15)	2.000 (50.80)	.280 (7.1)	120 inch lbs.
25	36	B	2.125-18	2.250 (57.15)	2.000 (50.80)	.310 (7.9)	120 inch lbs.
27	40	D	2.313-16 UNS	2.430 (61.72)	2.180 (55.37)	.310 (7.9)	160 inch lbs.
28	40	B, E, F	2.375-16 UN	2.500 (63.50)	2.250 (57.15)	.310 (7.9)	160 inch lbs.
29	44	B, F	2.625-16 UN	2.750 (69.85)	2.500 (63.50)	.310 (7.9)	160 inch lbs.
30	48	F	2.813-18	2.930 (74.42)	2.680 (68.07)	.280 (7.1)	160 inch lbs.
31	48	B	2.875-16 UN	3.000 (76.20)	2.750 (69.85)	.310 (7.9)	160 inch lbs.

A



**Adapter with
 Internal Class 2B Thread
 (Code 01 and 02)**



**Adapter with
 Internal Class 2B Thread
 (Code 03 and 04)**

APPLICATION NOTES

1. Assembly identified with manufacturer's code identification number (Glenair, part number and classification code 490).
2. The M24758-10 adapter couples triaxial connectors to M24758-2, M24758-3 or M24758-4 fittings.
3. See Table III for recommended torque values.
4. Material / Finish:
 Adapter - 316 SST/electroless nickel, matte finish.
 O-Ring - silicone rubber / NA.
5. Metric dimensions (mm) are indicated in parentheses.

MIL-PRF-24758-10 Adapter for Triaxial Connectors



MIL-PRF
24758A

A

TABLE I

Conduit Size Code	C Class - 2A Thread	K Dia Min	N Dia ± 0.02 (0.5)
A	.438-28 UNEF	.245 (6.2)	.687 (17.4)
B	.688-24 UNEF	.495 (12.6)	.937 (23.8)
C	.938-20 UNEF	.745 (18.9)	1.187 (30.1)
D	1.250-18 UNEF	.995 (25.3)	1.500 (38.1)
J	.563-24 UNEF	.370 (9.4)	.812 (20.6)
K	.813-20 UNEF	.620 (15.7)	1.062 (27.0)

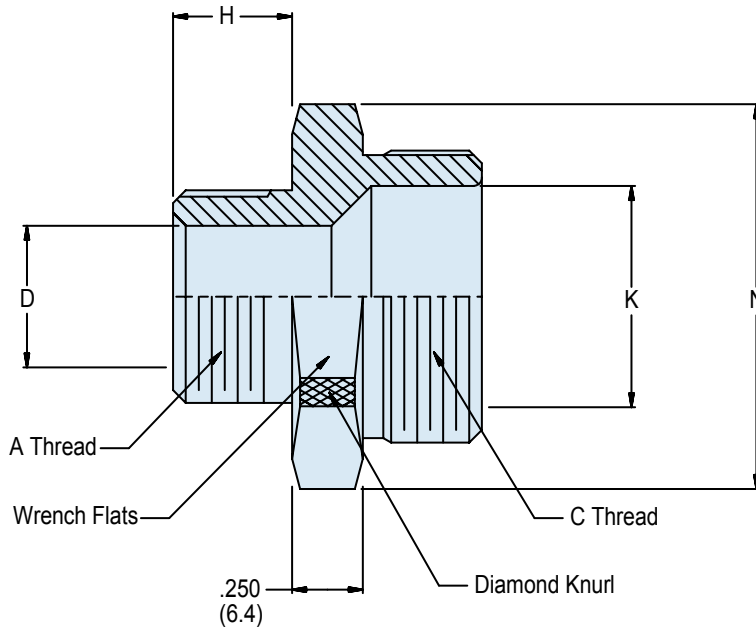
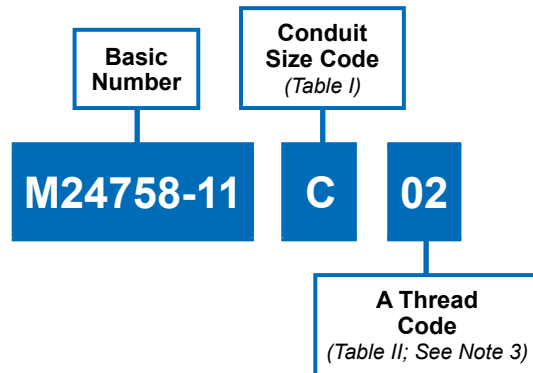
TABLE II: A-THREAD CODE AND ADAPTER DIMENSIONS

A Thread Code	Connector Part Number		A Thread	D Dia Min	F Dia Min	H ± 0.02 (0.5)	Cable (Reference)	
	ITT/Cannon	Formerly Gremar					Type	OD
01	152105-2380	5633	.750-16 UNF-2B	.875 (22.2)	.297 (7.5)	.562 (14.3)	RG-22/U	.216 (5.5)
							RG-258C/U	.195 (5.0)
02	152100-2390	7991	.875-20 UNEF-2B	1.000 (25.4)	.515 (13.1)	.500 (12.7)	RG-214/U	.425 (10.8)
							RG-98/U	.420 (10.7)
03	152190-0000	16312	1.063-18 UNEF-2A	.922 (23.4)	.564 (14.3)	.212 (7.9)	RG-14A/U	.545 (13.8)
							RG-293A/U	.545 (13.8)
							*TRF-8	.500 (12.7)
							RG-14A/U	.545 (13.8)
04		11865	1.063-18 UNEF-2A	.922 (23.4)	.564 (14.3)	.335 (8.5)	RG-293A/U	.545 (13.8)
							*TRF-8	.500 (12.7)

TABLE III: RECOMMENDED TORQUE

Conduit Size Code	A	B	C	D	J	K
C Thread ± 5 Inch lbs.	40	40	40	40	80	120

A



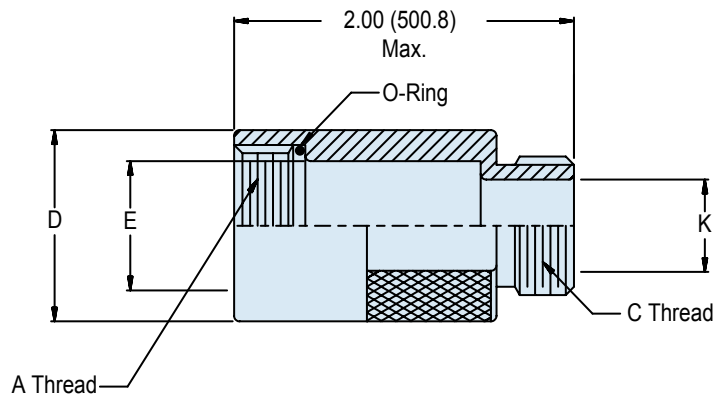
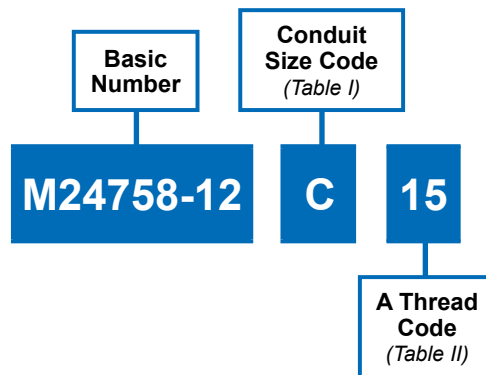
APPLICATION NOTES

1. Assembly identified with manufacturer's code identification number (Glenair, part number and classification code 490).
2. The M24758-11 adapter couples coaxial connectors to M24758-2, M24758-3, M24758-4 series fittings.
3. Select an A-thread from table II which matches that of the back of the nut on the connector being used. If none of the A-threads match, substitute the desired A-thread information in lieu of the A-thread code in the part number. For example: A fitting for a 0.500" conduit with a 0.5-28 A-thread of 0.313' H-length would have the part number: M24758-11B0.5-28-0.313.
5. Material / Finish:
Adapter - 316 / electroless nickel, matte finish
6. Metric dimensions (mm) are indicated in parentheses.
7. See M24758-2, -3, -4 torque values for C thread.

TABLE I			
CONDUIT SIZE CODE	C CLASS - 2A THREAD	K DIA MIN	N DIA ± .02 (0.5)
A	.438-28 UNEF	.245 (6.22)	.687 (17.4)
B	.688-24 UNEF	.495 (12.57)	.937 (23.8)
C	.938-20 UNEF	.745 (18.92)	1.187 (30.1)
D	1.250-18 UNEF	.995 (25.27)	1.500 (38.1)
E	1.563-18 UNEF	1.245 (31.62)	1.812 (46.0)
J	.563-24 UNEF	.370 (9.40)	.812 (20.6)
K	.813-20 UNEF	.620 (15.75)	1.062 (27.0)

TABLE II: A-THREAD CODE AND ADAPTER DIMENSIONS					
A THREAD CODE	A THREAD Class 2A	H ± .03 (.76)	D DIA ±.02 (.51)	CABLE (REFERENCE)	
				TYPE	OD
02	.375-32 UNEF	.210 (5.33)	.226 (5.74)	RG-58, RG-233	.195 (4.95) .216 (54.86)
04	.438-28 UNEF	.250 (6.35)	.345 (8.76)	RG-5, RG-21	.332 (8.43)
06	.625-24 UNEF	.310 (7.87)	.433 (10.83)	RG-9, RG-214	.420 (10.67) .425 (10.80)
08	.688-24 UNEF	.310 (7.87)	.568 (14.43)	RG-14, RG-293	.545 (13.84)
10	.938-20 UNEF	.310 (7.87)	.650 (16.51)	RG-57, RG-294	.625 (15.88) .630 (16.00)
12	.813-20 UNEF	.310 (7.87)	.895 (22.73)	RG-17	.870 (22.10)

A



APPLICATION NOTES

1. Assembly identified with manufacturer's code identification number (Glenair, part number and classification code 490).
2. The M24758-12 adapter couples MIL-C-26482 series I connectors (series MS3100, MS3111 or MS3116) to M24758-2, M24758-3 or M24758-4 series fittings.
3. For MIL-DTL-26482 series II, the M24758-13 adapter shall be used.
4. See Glenair Circular Connector Accessories catalog for recommended torque values, Group 1.
5. Material / Finish:
Adapter - 316 / electroless nickel, matte finish.
6. Metric dimensions (mm) are indicated in parentheses.
7. See M24758-2, -3, -4 torque values for C thread.

MIL-PRF-24758-12
Adapter for MIL-C-26482
Solder Type Series I Connectors



MIL-PRF
24758A

A

TABLE I		
CONDUIT SIZE CODE	C CLASS - 2A THREAD	K DIA MIN
A	.438-28 UNEF	.245 (6.22)
B	.688-24 UNEF	.495 (12.57)
C	.938-20 UNEF	.745 (18.92)
D	1.250-18 UNEF	.995 (25.27)
E	1.563-18 UNEF	1.245 (31.62)
F	1.875-16 UN	1.495 (37.97)
G	2.375-16 UN	1.995 (50.67)
H	2.875-16 UN	2.495 (63.37)
J	.563-24 UNEF	.370 (9.340)
K	.813-20 UNEF	.620 (15.75)
L	3.375-16 UN	2.995 (76.07)

TABLE II: A-THREAD CODE AND ADAPTER DIMENSIONS				
A THREAD CODE	CONN SHELL SIZE	A CLASS - 2B THREAD	D DIA ± .02 (.51)	E DIA ± .02 (.51)
07	8	.438-28 UNEF	.590 (14.99)	.340 (8.64)
09	10	.563-24 UNEF	.710 (18.03)	.450 (11.43)
11	12	.688-24 UNEF	.840 (21.34)	.580 (14.73)
13	14	.813-20 UNEF	.960 (24.38)	.680 (17.27)
15	16	.938-20 UNEF	1.090 (27.69)	.810 (20.57)
17	18	1.063-18 UNEF	1.210 (30.73)	.930 (23.62)
19	20	1.188-18 UNEF	1.340 (34.04)	1.060 (26.92)
21	22	1.313-18 UNEF	1.460 (37.08)	1.180 (29.97)
23	24	1.438-18 UNEF	1.590 (40.39)	1.310 (33.27)

A

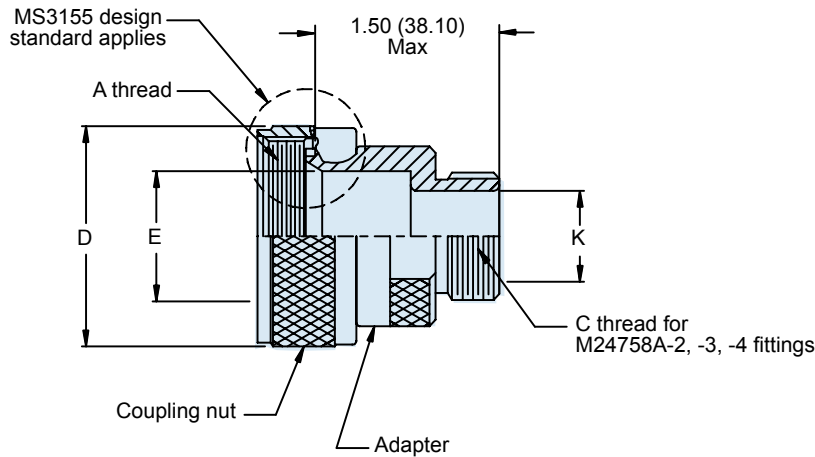
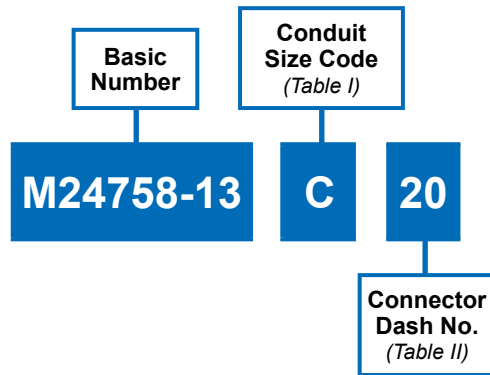


TABLE I		
CONDUIT SIZE CODE	C CLASS - 2A THREAD	K DIA MIN
A	.438-28 UNEF	.245 (6.22)
B	.688-24 UNEF	.495 (12.57)
C	.938-20 UNEF	.745 (18.92)
D	1.250-18 UNEF	.995 (25.27)
E	1.563-18 UNEF	1.245 (31.62)
F	1.875-16 UN	1.495 (37.97)
G	2.375-16 UN	1.995 (50.67)
H	2.875-16 UN	2.495 (63.37)
J	.563-24 UNEF	.370 (9.40)
K	.813-20 UNEF	.620 (15.75)
L	3.375-16 UN	2.995 (76.07)

APPLICATION NOTES
1. Assembly identified with manufacturer's code identification number (Glenair, part number and classification code 490).
2. The M24758-13 adapter couples connectors listed in table II to M24758-2, M24758-3 or M24758-4 series conduit fittings.
3. The coupling nut end of this adapter shall conform to military standard MS3155 (Navy), 'Connector, electric, rear accessory design standard.' MS3155 takes precedence over this specification.
4. The E diameter and M thread of this drawing are the same as the E diameter and M thread of MS3155, and are included for reference purposes.
5. See Glenair Circular Connector Accessories catalog for recommended torque values, Group 2.
6. Material/Finish: Adapter, coupling nut, 316 / electroless nickel, matte finish.
7. Metric dimensions (mm) are indicated in parentheses.

MIL-PRF-24758-13 Adapter for MS-3155 Type Connectors



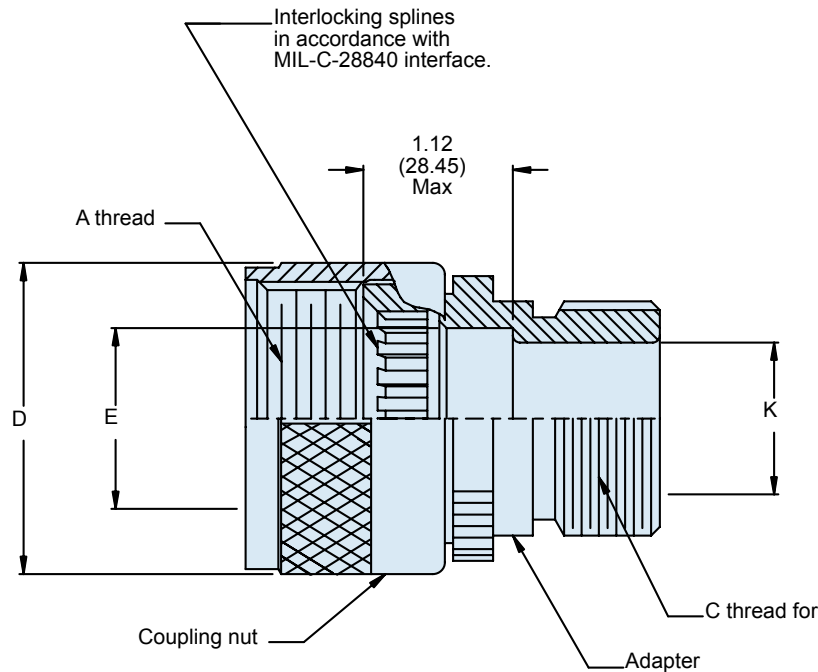
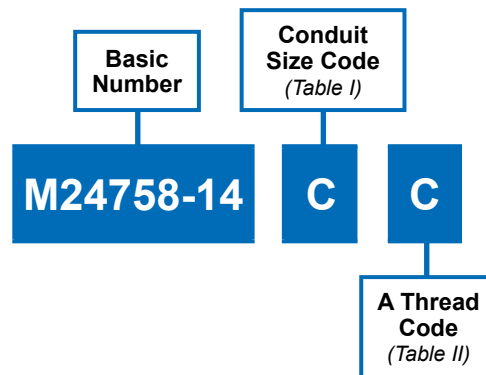
MIL-PRF
24758A

A

TABLE II: CONNECTOR DASH NUMBERS AND FITTING DIMENSIONS

CONN DASH NO.	NAS 1599 & MIL-DTL-83723 (SERIES 1 & 3)	MIL-DTL-5015 (MS3400 SERIES)	AS81703 (NAVY) (SERIES 3)	MIL-DTL-26482 (SERIES 2) (MS347X)	A CLASS - 2B THREAD	D DIA MAX	E DIA REF	Y (Style 01) .03 (0.8)
03	--	--	03	--	.562-24 UNEF	.669 (16.99)	.270 (6.86)	.620 (15.7)
08	08	8S	--	08	.500-20 UNF	.617 (15.67)	.270 (6.86)	.620 (15.7)
10	10	10S, 10SL	--	10	.625-24 UNEF	.734 (18.64)	.375 (9.53)	.690 (17.5)
12	12	12, 12S	07	12	.750-20 UNEF	.858 (21.79)	.511 (12.98)	.690 (17.5)
14	14	14, 14S	12	14	.875-20 UNEF	.984 (24.99)	.585 (14.86)	.750 (19.1)
16	16	16, 16S	19	16	1.000-20 UNEF	1.112 (28.24)	.710 (18.03)	.750 (19.1)
18	18	18	27	18	1.062-18 UNEF	1.218 (30.98)	.789 (20.04)	.750 (19.1)
20	20	20	37	20	1.188-18 UNEF	1.345 (34.16)	.914 (23.22)	.810 (20.6)
22	22	22	--	22	1.312-18 UNEF	1.468 (37.29)	1.039 (26.39)	.810 (20.6)
24	24	24	--	24	1.438-18 UNEF	1.593 (40.46)	1.154 (29.31)	.810 (20.6)
28	--	28	--	--	1.750-18 UNS	1.969 (50.01)	1.389 (35.28)	.880 (22.4)
32	--	32	--	--	2.000-18 UNS	2.219 (56.36)	1.635 (41.53)	.880 (22.4)
36	--	36	--	--	2.250-16 UN	2.469 (62.71)	1.850 (46.99)	.880 (22.4)
40	--	40	--	--	2.500-16 UN	2.719 (69.06)	2.065 (52.45)	.940 (23.9)
44	--	44	--	--	2.750-16 UN	2.969 (75.41)	2.320 (58.93)	.940 (23.9)
48	--	48	--	--	3.000-16 UN	3.219 (81.76)	2.570 (65.28)	.940 (23.9)
61	--	--	61	--	1.500-18 UNEF	1.653 (41.99)	1.194 (30.33)	.810 (20.6)

A



APPLICATION NOTES

1. Assembly identified with manufacturer's code identification number (Glenair, part number and classification code 490).
2. The M24758-14 adapter provides an environmental coupling between MIL-C-28840 (EC) connectors and M24758-2, M24758-3, or M24758-4 series fittings.
3. See Glenair Circular Connector Accessories catalog for recommended torque values, Group 2.
4. Material / Finish:
Adapter, coupling nut, 316 / electroless nickel, matte finish.
5. Metric dimensions (mm) are indicated in parentheses.

**MIL-PRF-24758-14
Adapter for MIL-DTL-28840 Connectors**



MIL-PRF
24758A

A

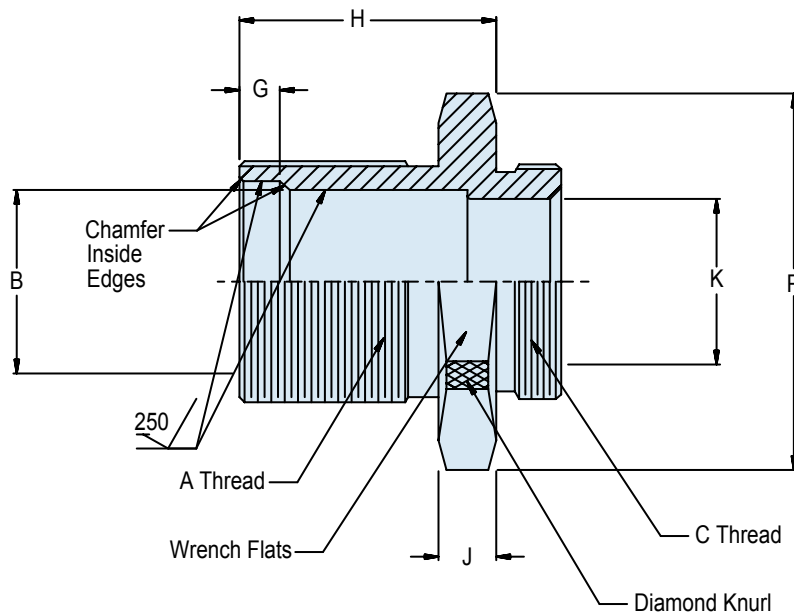
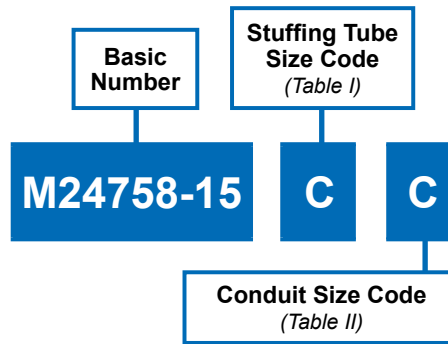
TABLE I

CONDUIT SIZE CODE	C CLASS - 2A THREAD	K DIA MIN	N DIA ± .02 (0.5)
A	.438-28 UNEF	.245 (6.22)	.687 (17.4)
B	.688-24 UNEF	.495 (12.57)	.937 (23.8)
C	.938-20 UNEF	.745 (18.92)	1.187 (30.1)
D	1.250-18 UNEF	.995 (25.27)	1.500 (38.1)
E	1.563-18 UNEF	1.245 (31.62)	1.812 (46.0)
F	1.875-16 UN	1.495 (37.97)	2.125 (54.0)
G	2.375-16 UN	1.995 (50.67)	2.625 (66.7)
H	2.875-16 UN	2.495 (63.37)	3.125 (79.4)
J	.563-24 UNEF	.370 (9.40)	.812 (20.6)
K	.813-20 UNEF	.620 (15.75)	1.062 (27.0)
L	3.375-16 UN	2.995 (76.07)	3.625 (92.1)

TABLE II: A-THREAD CODE AND ADAPTER DIMENSIONS

A THREAD CODE	SHELL SIZE (REF)	A CLASS - 2B THREAD	D DIA MAX	E DIA + .01 (.25) - .00
A	11	.750-20 UNEF	1.028 (26.11)	.357 (9.07)
B	13	.875-20 UNEF	1.141 (28.98)	.492 (12.50)
C	15	1.000-20 UNEF	1.263 (30.08)	.637 (16.18)
D	17	1.125-18 UNEF	1.387 (35.23)	.734 (18.64)
E	19	1.250-18 UNEF	1.513 (38.43)	.866 (22.00)
F	23	1.438-18 UNEF	1.703 (43.26)	1.063 (27.00)
G	25	1.562-18 UNEF	1.825 (46.36)	1.195 (30.35)
H	29	1.875-16 UN	2.143 (54.43)	1.432 (36.37)
J	33	2.062-16 UNS	2.329 (59.16)	1.630 (41.40)

A



CONDUIT SIZE CODE	C CLASS - 2A THREAD	K DIA MIN
A	.438-28 UNEF	.245 (6.22)
B	.688-24 UNEF	.495 (12.57)
C	.938-20 UNEF	.745 (18.92)
D	1.250-18 UNEF	.995 (25.27)
E	1.563-18 UNEF	1.245 (31.62)
F	1.875-16 UN	1.495 (37.97)
G	2.375-16 UN	1.995 (50.67)
H	2.875-16 UN	2.495 (63.37)
J	.563-24 UNEF	.370 (9.40)
K	.813-20 UNEF	.620 (15.75)
L	3.375-16 UN	2.995 (76.07)

1. Assembly identified with manufacturer's code identification number (Glenair, part number and classification code 490).
2. The M24758-15 adapter couples MIL-S-24235/9 through MIL-S-24235/17 stuffing tubes to M24758-2, M24758-3 or M24758-4 series fittings.
3. Material / Finish: Adapter - 316 / electroless nickel, matte finish
4. Metric dimensions (mm) are indicated in parentheses.

MIL-PRF-24758-15
Adapter for MIL-S-24235 Stuffing Tubes



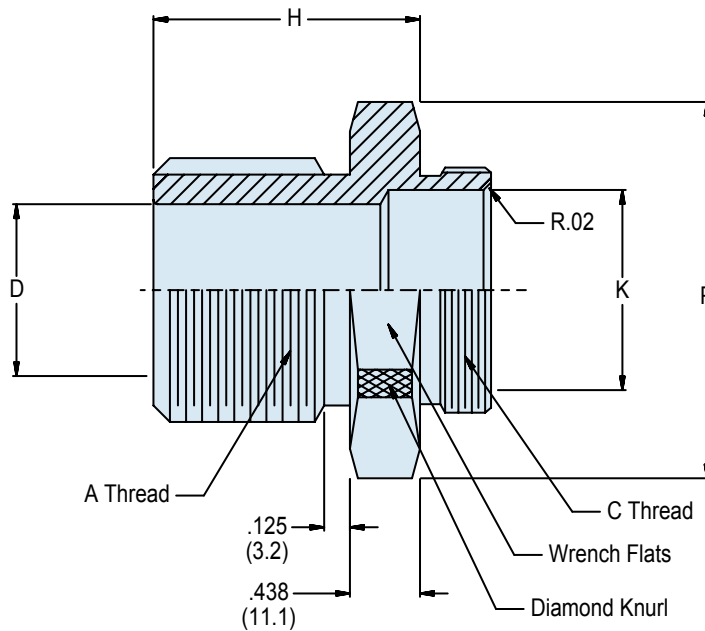
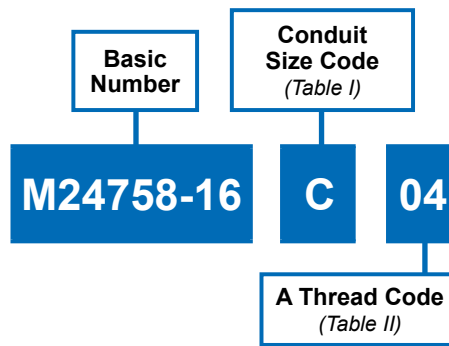
MIL-PRF
24758A

A

TABLE I

MIL-S-24235 /9, 17 STUFFING TUBE SIZE	CONDUIT SIZE CODE	A CLASS - 2A THREAD	B DIA	G DIM	H DIM ±.02 (.51)	J DIM ±.02 (.51)	P MAX DIA
A	A, B, J	.875-12 UN	.406 (10.31)	.250 (6.4)	1.063 (27.00)	.188 (4.78)	1.375 (34.93)
B	B	1.000-12 UN	.515 (13.08)	.250 (6.4)	1.063 (27.00)	.188 (4.78)	1.500 (38.10)
C	B, C, K	1.125-12 UN	.640 (16.26)	.250 (6.4)	1.063 (27.00)	.188 (4.78)	1.625 (41.28)
D	C, K	1.250-12 UN	.750 (19.05)	.250 (6.4)	1.063 (27.00)	.188 (4.78)	1.750 (44.45)
E	C, D, K	1.250-12 UN	.812 (20.62)	.250 (6.4)	1.063 (27.00)	.188 (4.78)	1.750 (44.45)
F	D	1.313-12 UN	.843 (21.41)	.250 (6.4)	1.188 (30.18)	.188 (4.78)	1.812 (46.02)
G	D	1.500-12 UN	.935 (23.75)	.250 (6.4)	1.188 (30.18)	.188 (4.78)	2.000 (50.80)
J	E	1.625-12 UN	1.062 (26.97)	.250 (6.4)	1.188 (30.18)	.188 (4.78)	2.125 (53.98)
K	E	1.750-12 UN	1.171 (29.74)	.250 (6.4)	1.500 (38.10)	.188 (4.78)	2.250 (57.15)
L	E	1.813-12 UN	1.265 (32.13)	.250 (6.4)	1.500 (38.10)	.188 (4.78)	2.312 (28.72)
M	E, F	2.000-12 UN	1.406 (35.71)	.250 (6.4)	1.500 (38.10)	.188 (4.78)	2.500 (63.50)
N	F	2.063-12 UN	1.515 (38.48)	.250 (6.4)	1.563 (39.70)	.250 (6.35)	2.625 (66.68)
P	G	2.188-12 UN	1.625 (41.28)	.250 (6.4)	1.563 (39.70)	.250 (6.35)	2.750 (69.85)
R	G	2.313-12 UN	1.750 (44.45)	.250 (6.4)	1.563 (39.70)	.250 (6.35)	2.875 (73.03)
S	G	2.688-12 UN	1.875 (47.63)	.375 (9.5)	2.188 (55.58)	.313 (7.95)	3.250 (82.55)
T	G	2.875-12 UN	2.062 (52.37)	.375 (9.5)	2.188 (55.58)	.313 (7.95)	3.500 (88.90)
V	G	3.000-12 UN	2.187 (55.55)	.375 (9.5)	2.188 (55.58)	.313 (7.95)	3.625 (92.08)
W	G, H	3.125-12 UN	2.312 (58.72)	.375 (9.5)	2.188 (55.58)	.313 (7.95)	3.750 (95.25)
X	H	3.250-12 UN	2.500 (63.50)	.375 (9.5)	2.188 (55.58)	.313 (7.95)	3.875 (98.43)
Y	H	3.375-12 UN	2.609 (66.27)	.375 (9.5)	2.188 (55.58)	.313 (7.95)	4.000 (101.60)
Z	H	3.563-12 UN	2.781 (70.64)	.375 (9.5)	2.188 (55.58)	.313 (7.95)	4.250 (107.95)
AA	H	3.750-12 UN	2.875 (73.03)	.375 (9.5)	3.125 (79.38)	.438 (11.13)	4.500 (114.30)
BB	H, L	4.000-12 UN	3.157 (80.19)	.375 (9.5)	3.125 (79.38)	.438 (11.13)	4.750 (120.65)

A



APPLICATION NOTES

1. Assembly identified with manufacturer's code identification number (Glenair, part number and classification code 490).
2. The M24758-16 adapter couples miscellaneous fittings to M24758-2, MS24758-3 or M24758-4 series fittings.
3. The American national thread series (N) has been superseded by the unified thread series (UN) the series N-thread sizes listed in table II are retained for use with those items which have series N-threads.
4. Material / Finish:
Adapter, - 316 / electroless nickel, matte finish.
5. Metric dimensions (mm) are indicated in parentheses.

MIL-PRF-24758-16
Adapter for Miscellaneous Fittings



MIL-PRF
24758A

A

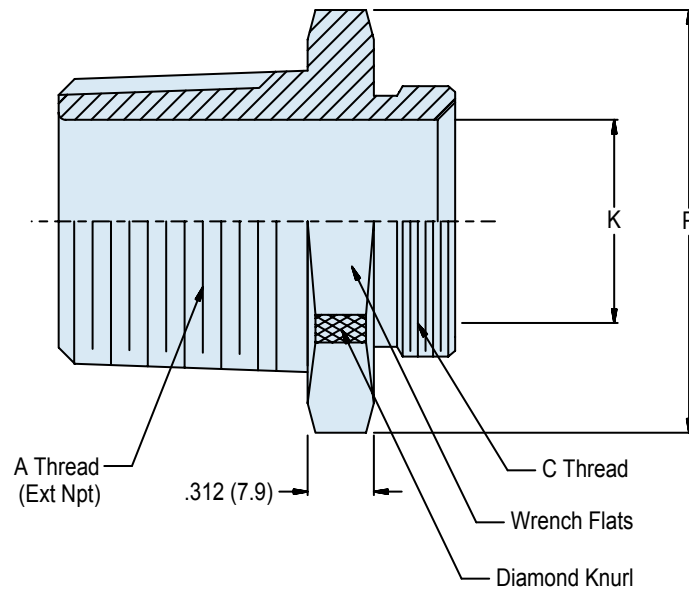
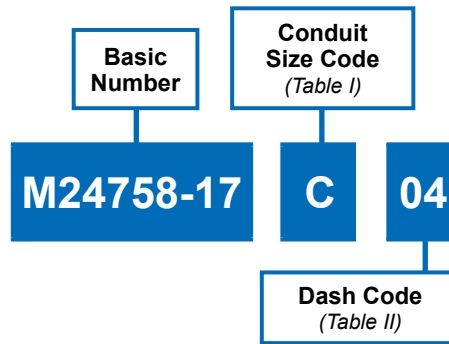
TABLE I

CONDUIT SIZE CODE	C CLASS - 2A THREAD	K DIA MIN
A	.438-28 UNEF	.245 (6.22)
B	.688-24 UNEF	.495 (12.57)
C	.938-20 UNEF	.745 (18.92)
D	1.250-18 UNEF	.995 (25.27)
E	1.563-18 UNEF	1.245 (31.62)
F	1.875-16 UN	1.495 (37.97)
G	2.375-16 UN	1.995 (50.67)
H	2.875-16 UN	2.495 (63.37)
J	.563-24 UNEF	.370 (9.40)
K	.813-20 UNEF	.620 (15.75)
L	3.375-16 UN	2.995 (76.07)

TABLE II

A THREAD CODE	A CLASS - 2A THREAD	D DIA ± .005 (.13)	H DIM ± .02 (.51)	P DIM MAX	CONDUIT SIZE
01	1.125-14 N	.500 (12.70)	1.250 (31.75)	1.625 (41.28)	A, B
03	1.280-14 N	.750 (19.05)	1.250 (31.75)	1.750 (44.45)	A-C
04	.750-14 NPSM	.750 (19.05)	1.250 (31.75)	1.500 (38.10)	A-C
06	1.000-11 1/2 NPSM	1.000 (25.40)	1.250 (31.75)	1.750 (44.45)	A-D
07	1.250-11 1/2 NPSM	1.000 (25.40)	1.250 (31.75)	2.000 (50.80)	A-D
09	1.250-11 1/2 NPSM	1.180 (29.97)	1.250 (31.75)	2.000 (50.80)	A-E
10	2.025-11 1/2 N	1.250 (31.75)	1.560 (39.62)	2.875 (73.03)	A-E
13	2.250-11 1/2 N	1.500 (38.10)	1.690 (42.93)	3.250 (82.55)	A-F
16	2.500-8 NPSM	2.000 (50.80)	2.000 (50.80)	3.500 (88.90)	A-G
19	3.000-8 NPSM	2.500 (63.50)	2.060 (52.32)	4.000 (101.60)	A-H
20	1.500-11 1/2 NPSM	1.500 (38.10)	1.250 (31.75)	2.500 (63.50)	A-D
21	2.000-11 1/2 NPSM	2.000 (50.80)	1.250 (31.75)	3.000 (76.20)	A-G

A



APPLICATION NOTES

1. Assembly identified with manufacturer's code identification number (Glenair, part number and classification code 490).
2. The M24758-17 adapter couples any fittings that have a female tapered pipe thread to M24758-2, M24758-3 or M24758-4 fittings.
3. Material / Finish: Adapter, - 316 / electroless nickel, matte finish.
4. Metric dimensions (mm) are indicated in parentheses.

**MIL-PRF-24758-17
Adapter for Tapered Pipe Thread**



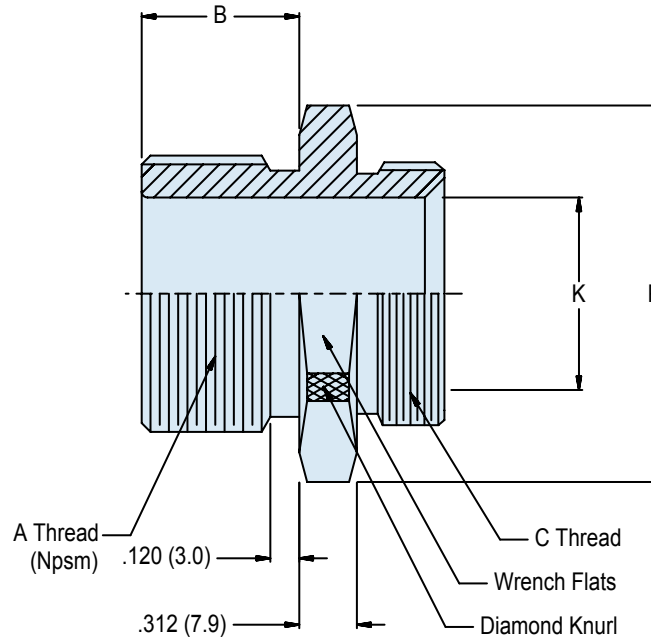
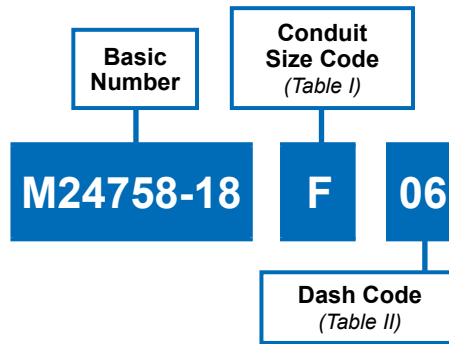
MIL-PRF
24758A

A

TABLE I			
CONDUIT SIZE CODE	C CLASS - 2A THREAD	K DIA MIN	MAX ENTRY DASH NUMBER
A	.438-28 UNEF	.245 (6.22)	01
B	.688-24 UNEF	.495 (12.57)	03
C	.938-20 UNEF	.745 (18.92)	04
D	1.250-18 UNEF	.995 (25.27)	05
E	1.563-18 UNEF	1.245 (31.62)	06
F	1.875-16 UN	1.495 (37.97)	07
G	2.375-16 UN	1.995 (50.67)	08
H	2.875-16 UN	2.495 (63.37)	09
J	.563-24 UNEF	.370 (9.40)	02
K	.813-20 UNEF	.620 (15.75)	04
L	3.375-16 UN	2.995 (76.07)	10

TABLE II		
DASH NUMBER	A EXTERNAL TAPER PIPE THREAD	D DIA MAX
01	.250-18 NPT	1.000 (25.40)
02	.375-18 NPT	1.130 (28.70)
03	.500-14 NPT	1.250 (31.75)
04	.750-14 NPT	1.500 (38.10)
05	1.000-11.5 NPT	1.750 (44.45)
06	1.250-11.5 NPT	2.130 (54.10)
07	1.500-11.5 NPT	2.380 (60.45)
08	2.000-11.5 NPT	2.880 (73.15)
09	2.500-8 NPT	3.380 (85.85)
10	3.000-8 NPT	4.130 (104.90)

A



APPLICATION NOTES

1. Assembly identified with manufacturer's code identification number (Glenair, part number and classification code 490).
2. The M24758-18 adapter couples any fittings having a female straight pipe thread to M24758-2, M24758-3 or M24758-4 fittings.
3. Material / Finish:
Adapter, - 316 / electroless nickel, matte finish.
4. Metric dimensions (mm) are indicated in parentheses.

**MIL-PRF-24758-18
Adapter for Straight Pipe Thread**



MIL-PRF
24758A

A

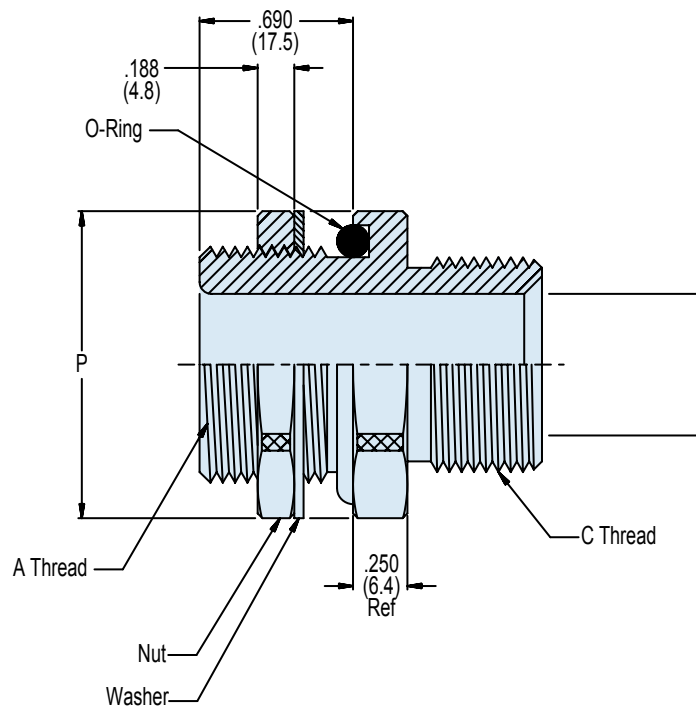
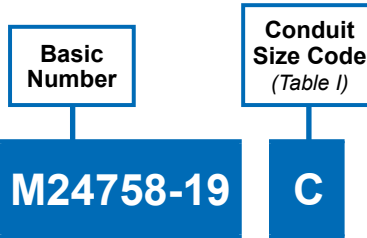
TABLE I

CONDUIT SIZE CODE	C Class 2A Thread	K DIA MIN	P DIA MAX	MAX ENTRY DASH NUMBER
A	.438-28 UNEF	.245 (6.22)	1.000 (25.40)	01
B	.688-24 UNEF	.495 (12.57)	1.250 (31.75)	03
C	.938-20 UNEF	.745 (18.92)	1.500 (38.10)	04
D	1.250-18 UNEF	.995 (25.27)	1.750 (44.45)	05
E	1.563-18 UNEF	1.245 (31.62)	2.130 (54.10)	06
F	1.875-16 UN	1.495 (37.97)	2.380 (60.45)	07
G	2.375-16 UN	1.995 (50.67)	2.880 (73.15)	08
H	2.875-16 UN	2.495 (63.37)	3.380 (85.85)	09
J	.563-24 UNEF	.370 (9.40)	1.130 (28.70)	02
K	.813-20 UNEF	.620 (15.75)	1.630 (41.40)	04
L	3.375-16 UN	2.995 (76.07)	4.130 (104.90)	10

TABLE II

DASH NUMBER	A EXTERNAL TAPER PIPE THREAD	B DIM ±.02 (0.5)
01	.250-18 NPSM	.750 (19.1)
02	.375-18 NPSM	.750 (19.1)
03	.500-14 NPSM	.870 (22.1)
04	.750-14 NPSM	.870 (22.1)
05	1.000-11.5 NPSM	.870 (22.1)
06	1.250-11.5 NPSM	.870 (22.1)
07	1.500-11.5 NPSM	1.000 (25.4)
08	2.000-11.5 NPSM	1.190 (30.2)
09	2.500-8 NPSM	1.620 (41.1)
10	3.000-8 NPSM	1.690 (42.9)

A



APPLICATION NOTES

1. Assembly identified with manufacturer's code identification number (Glenair, part number and classification code 490).
2. The M24758-19 adapter provides the capability of terminating a M24758-2, M24758-3 or M24758-4 series fitting to a panel.
3. Use Glenair 600-175 jam nut wrench.
4. Metric dimensions (mm) are indicated in parentheses.
5. Material / Finish:
 Adapter, jam nut - 316 electroless nickel, matte finish
 O-Ring - silicone rubber/N.A.
 Washer - 316L SST/passivate.

MIL-PRF-24758-19 Adapter for Panel Termination



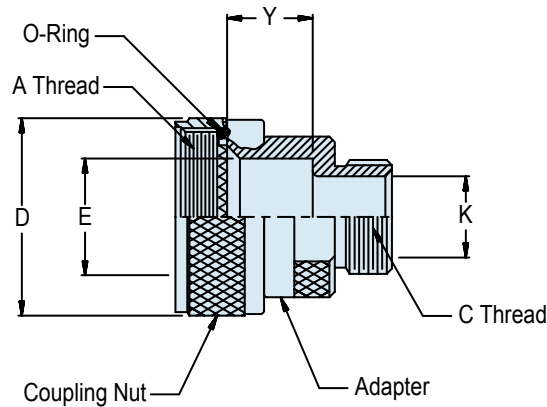
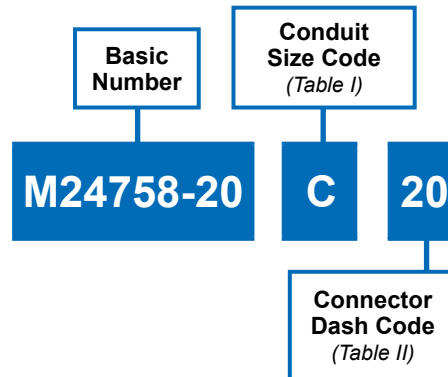
MIL-PRF
24758A

A

TABLE I						
CONDUIT SIZE CODE	A CLASS - 2A THREAD	P DIA	C CLASS - 2A THREAD	L + .030 - .00 +(0.76 -.00)	K DIA MIN	RECOMMENDED TORQUE VALUES INCH LBS (SEE NOTE 3)
A	.625-24 UNEF	.970 (24.6)	.438-28 UNEF	.210 (5.3)	.245 (6.22)	40 - 50
B	.875-20 UNEF	1.240 (31.5)	.688-24 UNEF	.250 (6.4)	.495 (12.6)	50 - 60
BC	1.188-18 UNEF	1.580 (40.1)	.688-24 UNEF	.250 (6.4)	.495 (12.6)	
C	1.188-18 UNEF	1.580 (40.1)	.938-20 UNEF	.310 (7.9)	.745 (19.0)	
CK	1.000-20 UNEF	1.530 (38.9)	.938-20 UNEF	.310 (7.9)	.745 (19.0)	80 - 90
D	1.438-18 UNEF	1.840 (46.7)	1.250-18 UNEF	.370 (9.4)	.995 (25.3)	
E	1.750-16 UN	2.180 (55.4)	1.563-18 UNEF	.370 (9.4)	1.245 (31.6)	
F	2.000-16 UN	2.410 (61.2)	1.875-16 UN	.430 (10.9)	1.495 (38.0)	100 - 110
G	2.500-16 UN	2.980 (75.7)	2.375-16 UN	.430 (10.9)	1.995 (50.7)	150 - 160
H	3.000-16 UN	3.410 (86.6)	2.875-16 UN	.430 (10.9)	2.495 (63.4)	
J	.750-20 UNEF	1.160 (29.5)	.563-24 UNEF	.250 (6.4)	.370 (9.4)	50 - 60
K	1.000-20 UNEF	1.530 (38.9)	.813-20 UNEF	.310 (7.9)	.620 (15.8)	150 - 160
L	3.500-16 UN	4.060 (103.1)	3.375-16 UN	.430 (10.9)	2.995 (76.1)	

NOTE: Panel Cut-Out is +.016 (0.41) -.000 over A Thread Size.

A



APPLICATION NOTES

1. Assembly identified with manufacturer's code identification number (Glenair, part number and classification code 490).
2. The M24758-20 adapter couples connectors listed in table II to M24758-2, M24758-3 or M24758-4 series fittings.
3. The coupling nut end of this adapter shall conform to AS85049.
4. The E diameter and M thread of this drawing are the same as AS85049 and are included for reference purposes.
5. See Glenair Circular Connector Accessories catalog for recommended torque values.
6. Material / Finish:
Adapter, coupling nut, 316 / electroless nickel, matte finish,
O-ring - silicone rubber N/A.
7. Metric dimensions (mm) are indicated in parentheses.

TABLE I

CONDUIT SIZE CODE	C CLASS - 2A THREAD	K DIA MIN
A	.438-28 UNEF	.245 (6.22)
B	.688-24 UNEF	.495 (12.57)
C	.938-20 UNEF	.745 (18.92)
D	1.250-18 UNEF	.995 (25.27)
E	1.563-18 UNEF	1.245 (31.62)
F	1.875-16 UN	1.495 (37.97)
G	2.375-16 UN	1.995 (50.67)
H	2.875-16 UN	2.495 (63.37)
J	.563-24 UNEF	.370 (9.40)
K	.813-20 UNEF	.620 (15.75)
L	3.375-16 UN	2.995 (76.07)

MIL-PRF-24758-20
Adapter for MIL-DTL-38999 Connectors



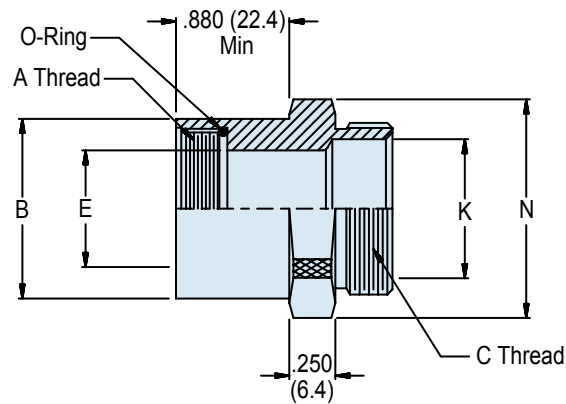
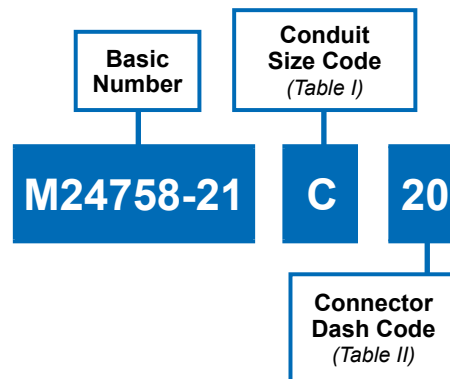
MIL-PRF
24758A

A

TABLE II: CONNECTOR DASH NUMBERS AND FITTING DIMENSIONS

CONN DASH NO.	MIL-DTL-38999 SERIES 1 & 2	MIL-DTL-38999 SERIES 3 & 4	A Class - 2B THREAD	D DIA MAX	E DIA REF	Y (Style 01) ± .03 (0.8)
08	08	--	.438-28 UNEF	.860 (21.84)	.269 (6.83)	.620 (15.7)
10	10	--	.562-24 UNEF	.980 (24.89)	.402 (10.21)	.620 (15.7)
12	12	--	.688-24 UNEF	1.160 (29.46)	.516 (13.11)	.620 (15.7)
14	14	--	.812-20 UNEF	1.280 (32.51)	.641 (16.28)	.620 (15.7)
16	16	--	.938-20 UNEF	1.410 (35.81)	.766 (19.46)	.750 (19.1)
18	18	--	1.062-18 UNEF	1.520 (38.61)	.863 (21.92)	.750 (19.1)
20	20	--	1.188-18 UNEF	1.640 (41.66)	.988 (25.10)	.750 (19.1)
22	22	--	1.312-18 UNEF	1.770 (44.96)	1.113 (28.70)	.810 (20.6)
24	24	--	1.438-18 UNEF	1.890 (48.01)	1.238 (31.45)	.810 (20.6)
09	--	A / 09	M12 X 1.0 - 6H	.860 (21.84)	.269 (6.83)	.620 (15.7)
11	--	B / 11	M15 X 1.0 - 6H	.980 (24.89)	.402 (10.21)	.620 (15.7)
13	--	C / 13	M18 X 1.0 - 6H	1.160 (29.46)	.516 (13.11)	.690 (17.5)
15	--	D / 15	M22 X 1.0 - 6H	1.280 (32.51)	.641 (16.28)	.690 (17.5)
17	--	E / 17	M25 X 1.0 - 6H	1.410 (35.81)	.766 (19.46)	.750 (19.1)
19	--	F / 19	M28 X 1.0 - 6H	1.520 (38.61)	.863 (21.92)	.750 (19.1)
21	--	G / 21	M31 X 1.0 - 6H	1.640 (41.66)	.988 (25.10)	.750 (19.1)
23	--	H / 23	M34 X 1.0 - 6H	1.770 (44.96)	1.113 (28.70)	.810 (20.6)
25	--	J / 25	M37 X 1.0 - 6H	1.890 (48.01)	1.238 (31.45)	.810 (20.6)

A



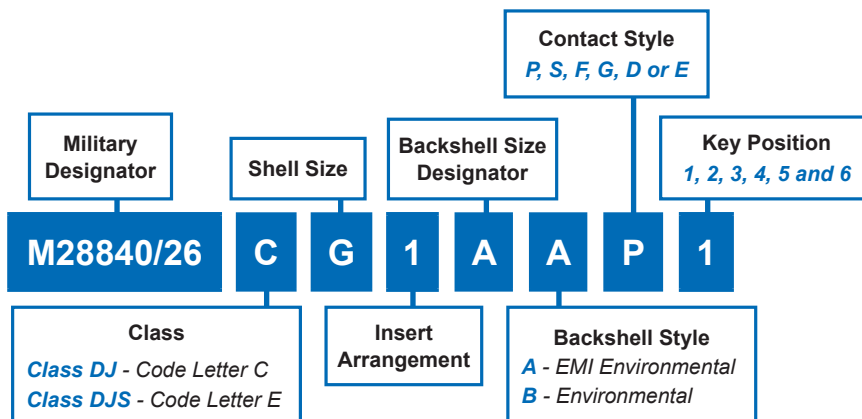
APPLICATION NOTES

- Assembly identified with manufacturer's code identification number (Glenair, part number and classification code 490).
- The M24758-21 adapter couples connectors listed in table I to M24758-2, M24758-3 or M24758-4 series fittings.
- This adapter shall conform to military standard MIL-DTL-22992 connector.
- The E diameter and M thread of this drawing are included for reference purposes.
- See Glenair Circular Connector Accessories catalog for recommended torque values.
- Material / Finish:
Adapter, coupling nut - 316 / electroless nickel, matte finish.
O-ring - silicone rubber.
- Metric dimensions (mm) are indicated in parentheses.

M28840/26 Plug Connector with Straight EMI/RFI Backshell



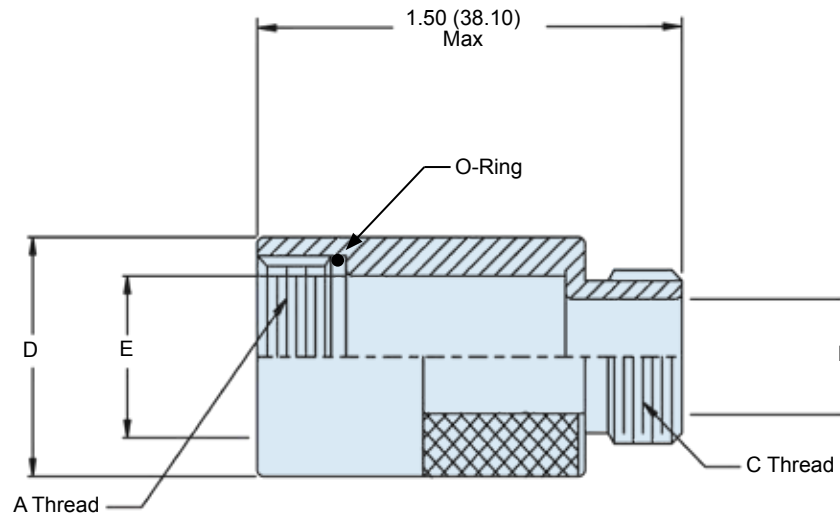
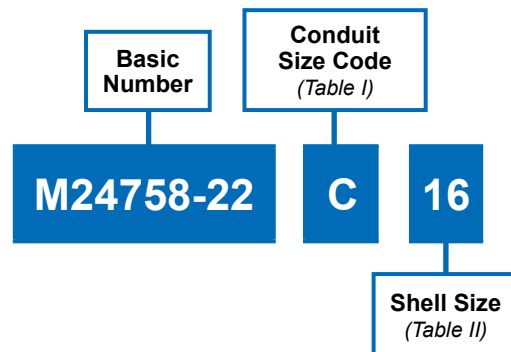
MIL-DTL-
28840



B

Military Shell Size	Shell Size	A Thread Class 2B	Backshell Size Designator	A Cable Entry		E Max.	L Max.
				Open	Closed		
A	11	.750-1P-.2L-DS	A	.312	.188	.938	6.500
			B	.438	.281	1.125	
			C	.562	.344	1.312	
B	13	.875-1P-.2L-DS	A	.312	.188	.938	
			B	.438	.281	1.125	
			C	.562	.344	1.312	
			D	.652	.375	1.312	7.000
C	15	1.062-1P-.2L-DS	A	.438	.281	1.125	6.500
			B	.562	.344	1.312	
			C	.625	.375	1.312	7.000
			D	.750	.438	1.593	
			E	.312	.188	.938	
D	17	1.125-1P-.2L-DS	A	.625	.375	1.312	
			B	.750	.438	1.593	
			C	.938	.625	1.750	
E	19	1.312-1P-.2L-DS	A	.625	.375	1.312	7.500
			B	.938	.625	1.750	7.625
F	23	1.500-1P-.2L-DS	A	.750	.438	1.593	7.812
			B	.938	.625	1.750	7.625
			C	1.188	.812	2.093	8.312
G	25	1.625-1P-.2L-DS	A	.938	.625	1.750	
			B	1.188	.812	2.093	
			C	1.250	.875	2.093	
			D	1.380	1.000	2.343	
H	29	1.812-1P-.2L-DS	A	1.188	.812	2.093	
			B	1.380	1.000	2.343	
J	33	2.000-1P-.2L-DS	A	1.380	1.000	2.343	
			B	1.625	1.250	2.750	8.625

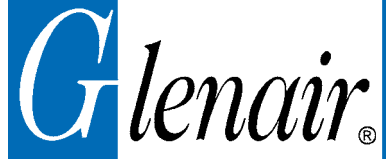
A



APPLICATION NOTES

1. Assembly identified with manufacturer's code identification number (Glenair, part number and classification code 490).
2. The M24758-22 adapter couples Glenair series 22 connectors to M24758-2, M24758-3 or M24758-4 series fittings.
3. See Glenair Circular Connector Accessories catalog for recommended torque values.
4. Material / Finish:
Adapter, coupling nut - 316 / electroless nickel, matte finish.
O-ring - silicone rubber.
5. Metric dimensions (mm) are indicated in parentheses.

MIL-PRF-24758-22
For Glenair 22 Series Adapters



MIL-PRF
24758A

A

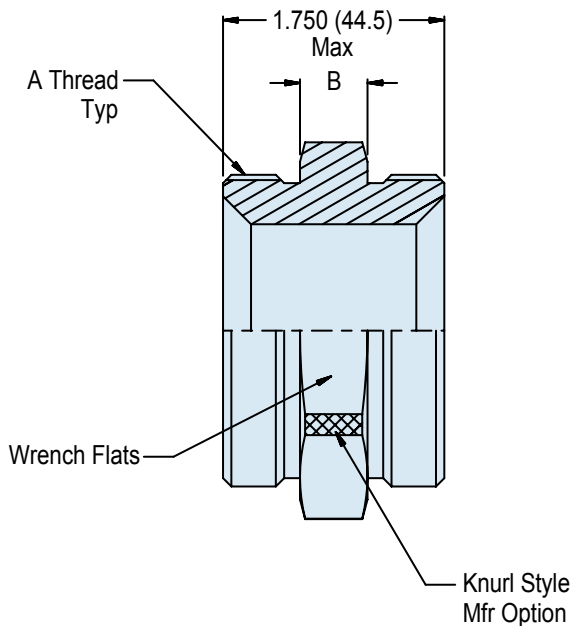
TABLE I

CONDUIT SIZE CODE	C CLASS - 2A THREAD	K DIA MIN
A	.438-28 UNEF	.245 (6.22)
B	.688-24 UNEF	.495 (12.57)
C	.938-20 UNEF	.745 (18.92)
D	1.250-18 UNEF	.995 (25.27)
E	1.563-18 UNEF	1.245 (31.62)
F	1.875-16 UN	1.495 (37.97)
G	2.375-16 UN	1.995 (50.67)
H	2.875-16 UN	2.495 (63.37)
J	.563-24 UNEF	.370 (9.40)
K	.813-20 UNEF	.620 (15.75)
L	3.375-16 UN	2.995 (76.07)

TABLE II

CONN SHELL SIZE	A CLASS - 2B THREAD	D DIA ± .02 (0.5)	E DIA REF
10	.625-24 UNEF	.750 (19.05)	.430 (10.92)
12	.750-20 UNEF	.875 (22.23)	.540 (13.72)
14	.875-20 UNEF	1.000 (25.40)	.660 (16.76)
16	1.000-20 UNEF	1.125 (28.58)	.790 (20.07)
18	1.125-16 UN	1.250 (31.75)	.880 (22.35)
20	1.250-16 UN	1.375 (34.93)	1.000 (25.40)
22	1.375-16 UN	1.500 (38.10)	1.130 (28.70)
24	1.500-16 UN	1.625 (41.28)	1.250 (31.75)

A

**Basic
Number**
M24758-23
**Conduit
Size Code
(Table I)**
C

TABLE I

CONDUIT SIZE CODE	C CLASS - 2A THREAD	B ± .06 (1.52) DIM
A	.438-28 UNEF	.500 (12.70)
B	.688-24 UNEF	.560 (14.22)
C	.938-20 UNEF	.620 (15.75)
D	1.250-18 UNEF	.620 (15.75)
E	1.563-18 UNEF	.680 (17.27)
F	1.875-16 UN	.680 (17.27)
G	2.375-16 UN	.750 (19.05)
H	2.875-16 UN	.750 (19.05)
J	.563-24 UNEF	.500 (12.70)
K	.813-20 UNEF	.560 (14.22)
L	3.375-16 UN	.750 (19.05)

APPLICATION NOTES

- Assembly identified with manufacturer's code identification number (Glenair, part number and classification code 490).
- The M24758-23 union fitting couples to Glenair M24758-2, M24758-3 or M24758-4 series fittings.
- See Glenair Circular Connector Accessories catalog for recommended torque values.
- Material / Finish:
Adapter, coupling nut - 316 / electroless nickel, matte finish.
- Metric dimensions (mm) are indicated in parentheses.

MIL-PRF-24758-24 Individual Termination Adapter



MIL-PRF
24758A

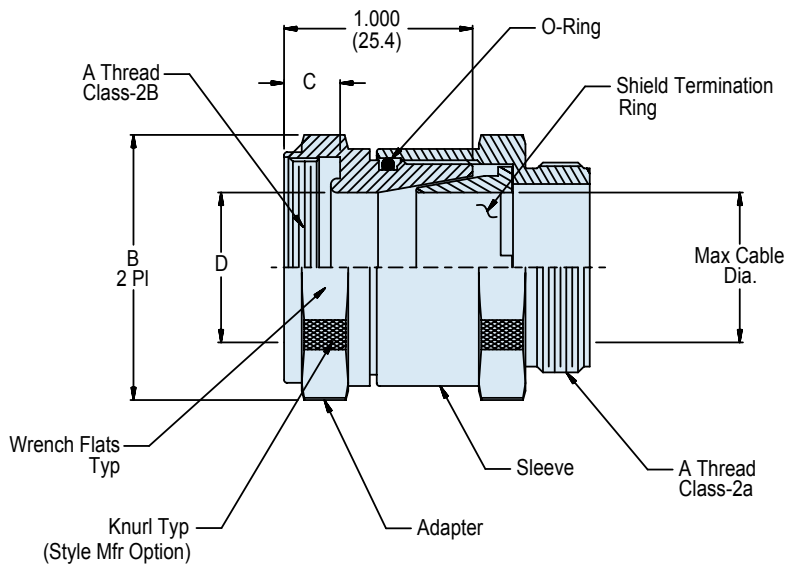
A

Basic
Number

Conduit
Size Code
(Table I)

M24758-24

C



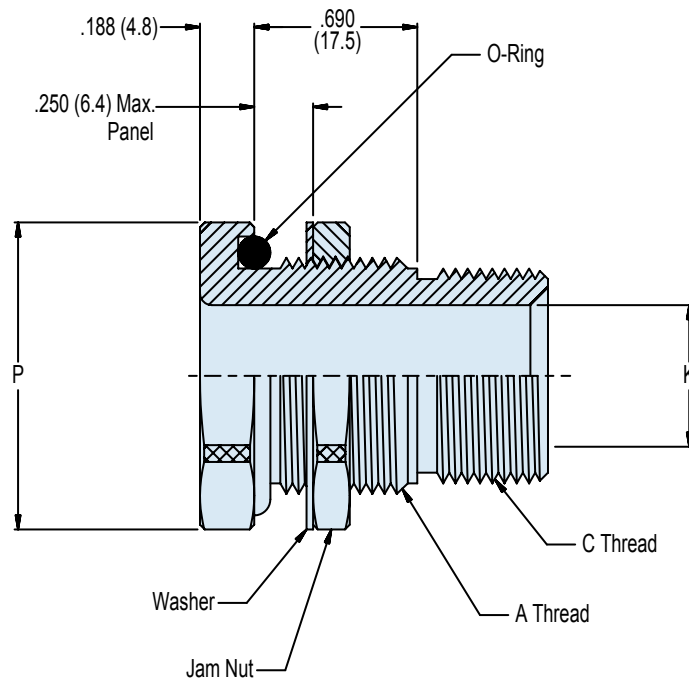
APPLICATION NOTES

1. Assembly identified with manufacturer's code identification number (Glennair, part number and classification code 490).
2. The function of the M24758-24 fitting is to couple with M24758-9 through M24758-23 fittings, terminate individual cable shields and to provide a standard thread for attaching all M24758-2, M24758-3 or M24758-4 fittings.
3. See Glennair Circular Connector Accessories catalog for recommended torque values.
4. Material / Finish:
Adapter, coupling nut - 316 / electroless nickel, matte finish.
O-Ring - silicone rubber/N.A.
5. Metric dimensions (mm) are indicated in parentheses.

TABLE I

CONDUIT SIZE CODE	A CLASS - 2* THREAD	D DIA MAX	C +.00 -.03 (0.8)	B DIA MIN	MAX CABLE DIA
A	.438-28 UNEF	.880 (22.35)	.250 (5.21)	.245 (6.22)	.220 (5.59)
B	.688-24 UNEF	1.130 (28.70)	.245 (6.22)	.495 (12.57)	.445 (11.30)
C	.938-20 UNEF	1.380 (35.05)	.305 (7.75)	.745 (18.92)	.670 (17.02)
D	1.250-18 UNEF	1.620 (41.15)	.350 (8.89)	1.015 (25.78)	.895 (22.73)
E	1.563-18 UNEF	2.000 (50.80)	.365 (9.27)	1.245 (31.62)	1.120 (28.45)
F	1.875-16 UN	2.310 (58.67)	.425 (10.80)	1.495 (37.97)	1.345 (34.16)
G	2.375-16 UN	2.940 (74.68)	.425 (10.80)	1.995 (50.67)	1.795 (45.59)
H	2.875-16 UN	3.440 (87.38)	.425 (10.80)	2.495 (63.37)	2.245 (57.02)
J	.563-24 UNEF	.940 (23.88)	.245 (6.22)	.370 (9.40)	.333 (8.46)
K	.813-20 UNEF	1.190 (30.23)	.305 (7.75)	.620 (15.75)	0.558 (14.17)
L	3.375-16 UN	3.940 (100.08)	.425 (10.80)	2.995 (76.07)	2.695 (68.45)

A

**Basic
Number**
M24758-25
**Conduit
Size Code
(Table I)**
C


APPLICATION NOTES

1. Assembly identified with manufacturer's code identification number (Glenair, part number and classification code 490).
2. The function of the M24758-25 provides the capability of terminating a M24758-2, M24758-3 or M24758-4 series fittings to a panel.
3. Material / Finish:
 Adapter, jam nut, washer - 316 SST / electroless nickel, matte finish.
 O-Ring - silicone rubber / N.A.
4. Metric dimensions (mm) are indicated in parentheses.

MIL-PRF-24758-25
Adapter for Panel Termination



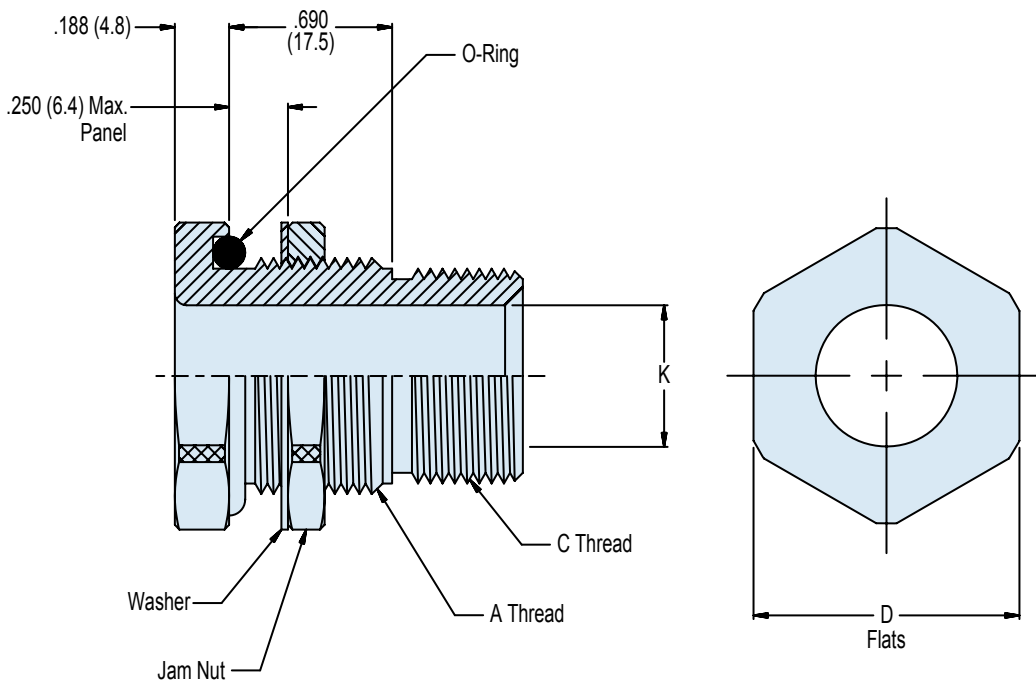
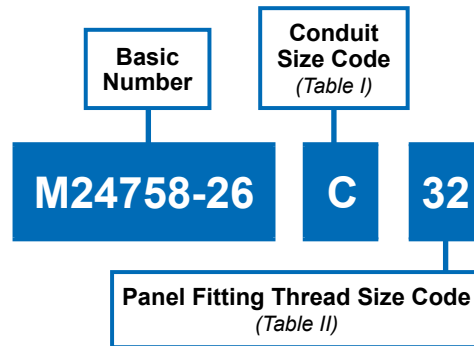
MIL-PRF
24758A

A

TABLE I				
CONDUIT SIZE CODE	A CLASS - 2A THREAD	P DIA	C CLASS - 2A THREAD	K DIA MIN
A	.625-24 UNEF	1.000 (25.40)	.438-28 UNEF	.245 (6.22)
B	.875-20 UNEF	1.250 (31.75)	.688-24 UNEF	.495 (12.57)
C	1.188-18 UNEF	1.562 (39.67)	.938-20 UNEF	.745 (18.92)
D	1.438-18 UNEF	1.812 (46.02)	1.250-18 UNEF	.995 (25.27)
E	1.750-16 UN	2.125 (53.98)	1.563-18 UNEF	1.245 (31.62)
F	2.000-16 UN	2.375 (60.33)	1.875-16 UN	1.495 (37.97)
G	2.500-16 UN	2.875 (73.03)	2.375-16 UN	1.995 (50.67)
H	3.000-16 UN	3.375 (85.73)	2.875-16 UN	2.495 (63.37)
J	.750-20 UNEF	1.125 (28.58)	.563-24 UNEF	.370 (9.40)
K	1.000-20 UNEF	1.500 (38.10)	.813-20 UNEF	.620 (15.75)
L	3.500-16 UN	4.375 (111.13)	3.375-16 UN	2.995 (76.07)

NOTE: Panel Cut-Out is +.016 (0.41) -.000 over A Thread Size.

A



APPLICATION NOTES

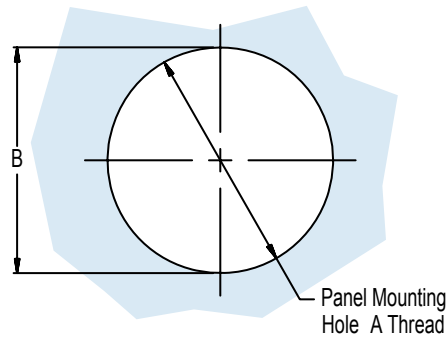
1. Assembly identified with manufacturer's code identification number (Glenair, part number and classification code 490).
2. The M24758-26 adapter provides the capability of terminating a M24758-2, M24758-3 or M24758-4 fitting to a panel.
3. Material / Finish:
Adapter, coupling nut - 316 / electroless nickel, matte finish
4. Metric dimensions (mm) are indicated in parentheses.

MIL-PRF-24758-26 Adapter for Panel Termination



MIL-PRF
24758A

A



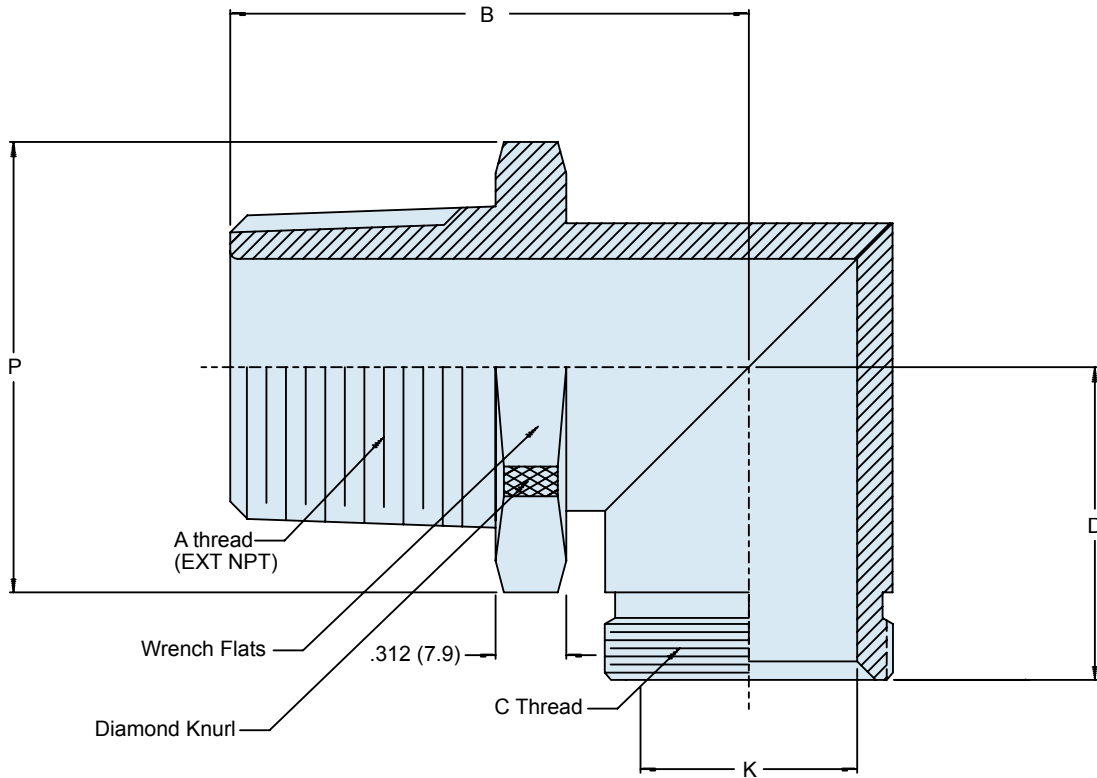
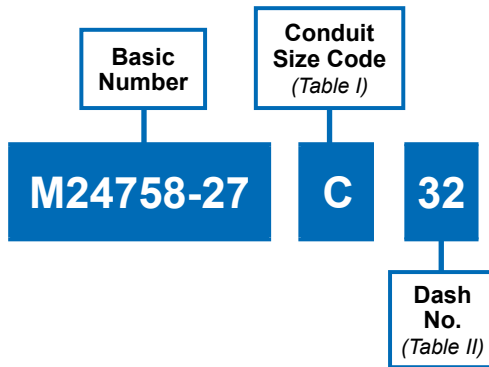
Panel Cut-Out

NOTE: Panel Cut-Out is +.016 (0.41) -.000 over A Thread Size.

TABLE I		
CONDUIT SIZE CODE	C CLASS - 2A THREAD	K DIA MIN
A	.438-28 UNEF	.245 (6.22)
B	.688-24 UNEF	.495 (12.57)
C	.938-20 UNEF	.745 (18.92)
D	1.250-18 UNEF	.995 (25.27)
E	1.563-18 UNEF	1.245 (31.62)
F	1.875-16 UN	1.495 (37.97)
G	2.375-16 UN	1.995 (50.67)
H	2.875-16 UN	2.495 (63.37)
J	.563-24 UNEF	.370 (9.40)
K	.813-20 UNEF	.620 (15.75)
L	3.375-16 UN	2.995 (76.07)

TABLE II				
DASH NO	A CLASS - 2A THREAD	B +.03 (0.8) -.00	D FLATS	MAX SIZE CODE (TABLE I)
20	5/8-24 UNEF	.630 (16.0)	.875 (22.2)	A & J
24	3/4-20 UNEF	.750 (19.1)	1.000 (25.4)	B
28	7/8-20 UNEF	.880 (22.4)	1.125 (28.6)	B & K
32	1-20 UNEF	1.000 (25.4)	1.250 (31.8)	C
36	1 1/8-18 UNEF	1.130 (28.7)	1.375 (34.9)	C
40	1 1/4-18 UNEF	1.250 (31.8)	1.500 (38.1)	D
42	1 5/16-18 UNEF	1.310 (33.3)	1.625 (41.3)	D
48	1 1/2-18 UNEF	1.500 (38.1)	1.750 (44.5)	D
56	1 3/4-16 UN	1.750 (55.5)	2.000 (50.8)	E
64	2-16 UN	2.000 (50.8)	2.250 (57.2)	F

A



APPLICATION NOTES

1. Assembly identified with manufacturer's code identification number (Glenair, part number and classification code 490).
2. The M24758-27 adapter couples any fittings having a female tapered pipe thread to M24758-2, M24758-3 or M24758-4 fittings.
3. Material / Finish:
Elbow - 316 / electroless nickel, matte finish
4. Metric dimensions (mm) are indicated in parentheses.

MIL-PRF-24758-27
90° Adapter for Tapered Pipe Thread



MIL-PRF
24758A

A

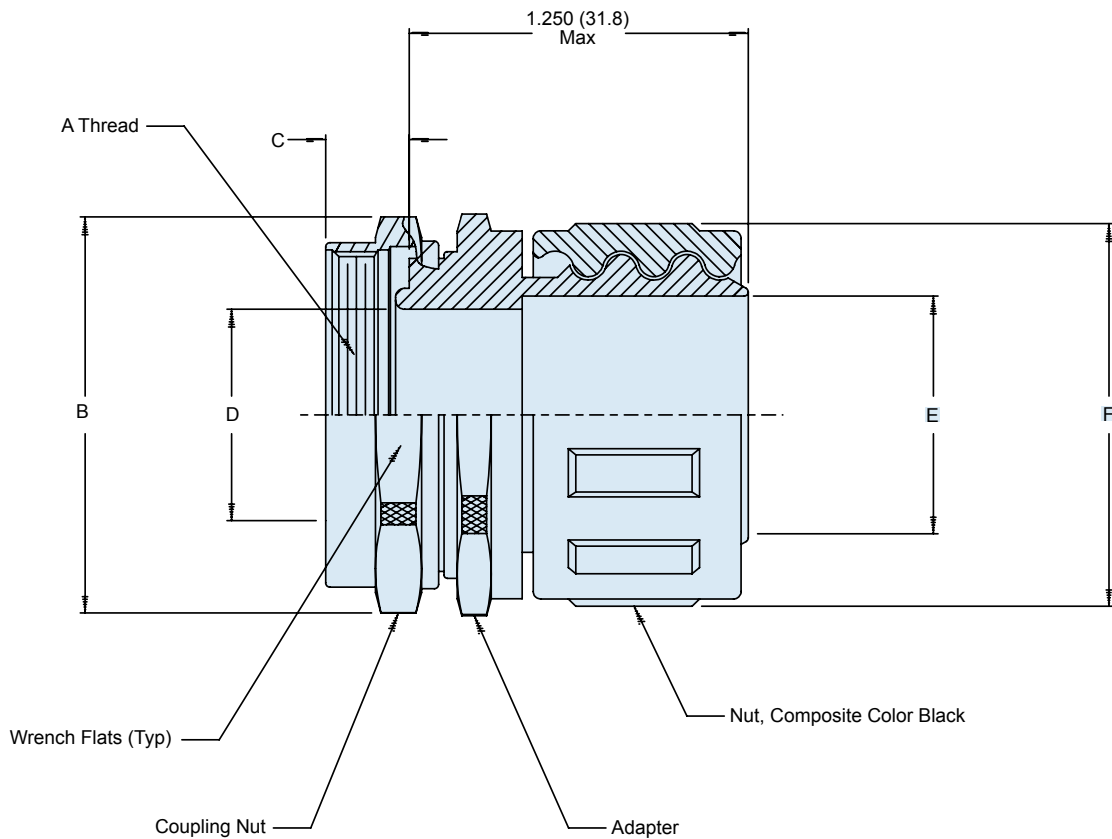
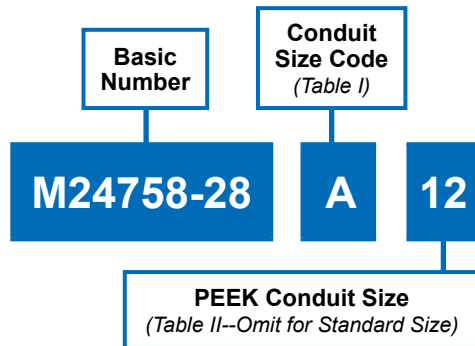
TABLE I: CONDUIT SIZE CODE

CONDUIT SIZE CODE	C CLASS - 2A THREAD	D DIM	K DIA MIN	MAX ENTRY DASH NO.
B	.688-24 UNEF	.890 (22.6)	.495 (12.57)	03

TABLE II: DASH NUMBER

DASH NO	A EXTERNAL TAPER PIPE THREAD	B DIM	P MAX DIA
03	.500-14 NPT	1.570 (39.9)	1.250 (31.8)

A



APPLICATION NOTES

1. Assembly identified with manufacturer's code identification number (Glenair, part number and classification code 490).
2. The function of the M24758-28 fitting is to terminate A-A-59827 PEEK conduit and to provide a standard thread for attaching M24758-15 and -25 fittings.
3. Material / Finish:
Adapter, coupling nut - 316 / electroless nickel, matte finish
Conduit nut - Ultem 7301, black
4. Metric dimensions (mm) are indicated in parentheses.

MIL-PRF-24758-28
Straight Conduit Fitting to PEEK Conduit



MIL-PRF
24758A

A

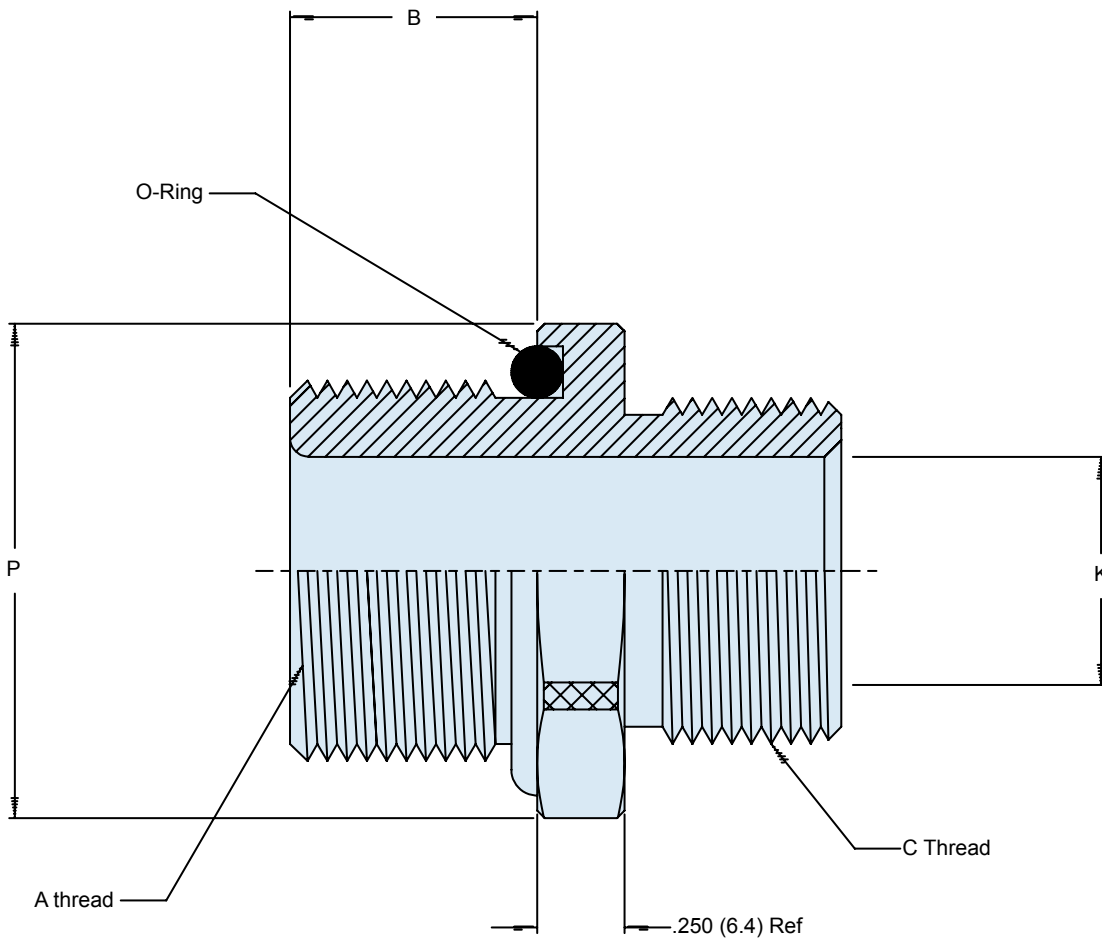
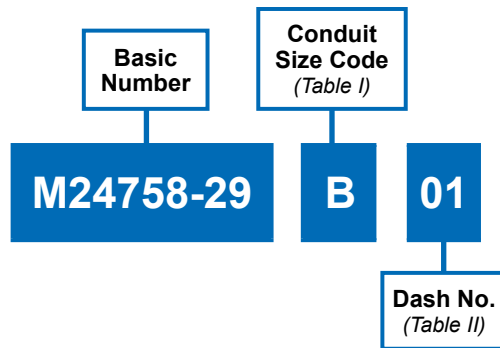
TABLE I: CONDUIT SIZE CODE

CONDUIT SIZE CODE	A CLASS - 2B THREAD	B MAX DIA	C +00 -03 (0.8)	D MIN DIA	STANDARD SIZE CONDUIT
A	.438-28 UNEF	.880 (22.4)	.205 (5.2)	.245 (6.2)	09
B	.688-24 UNEF	1.130 (28.7)	.245 (6.2)	.495 (12.6)	12
C	.938-20 UNEF	1.380 (35.1)	.305 (7.7)	.745 (18.9)	24
D	1.250-18 UNEF	1.690 (42.9)	.365 (9.3)	.995 (25.3)	32
E	1.563-18 UNEF	2.000 (50.8)	.365 (9.3)	1.245 (31.6)	40
F	1.875-16 UN	2.310 (58.7)	.425 (10.8)	1.495 (38.0)	48
G	2.375-16 UN	2.940 (74.7)	.425 (10.8)	1.995 (50.7)	64
H	2.875-16 UN	3.440 (87.4)	.425 (10.8)	2.495 (63.4)	N/A
J	.563-24 UNEF	.940 (23.9)	.245 (6.2)	.370 (9.4)	16
K	.813-20 UNEF	1.190 (30.2)	.305 (7.7)	.620 (15.7)	20
L	3.375-16 UN	3.940 (100.1)	.425 (10.8)	2.995 (76.1)	N/A

TABLE II: PEEK CONDUIT SIZE

PEEK CONDUIT SIZE CODE	E	F MAX
09	.210 (5.3)	.640 (16.3)
12	.320 (8.1)	.760 (19.3)
14	.360 (9.1)	.830 (21.1)
16	.420 (10.7)	.890 (22.6)
20	.550 (14.0)	1.020 (25.9)
24	.680 (17.3)	1.200 (30.5)
28	.790 (20.1)	1.300 (33.0)
32	.910 (23.1)	1.390 (35.3)
40	1.160 (29.5)	1.730 (43.9)
48	1.410 (35.8)	1.970 (50.0)

A



**MIL-PRF-24758-29
Adapter for Miscellaneous Termination**



MIL-PRF
24758A

A

**TABLE I: CONDUIT
SIZE CODE**

CONDUIT SIZE CODE	C CLASS - 2A THREAD	K DIA MIN
B	.688-24 UNEF	.495 (12.57)
C	.938-20 UNEF	.745 (18.9)

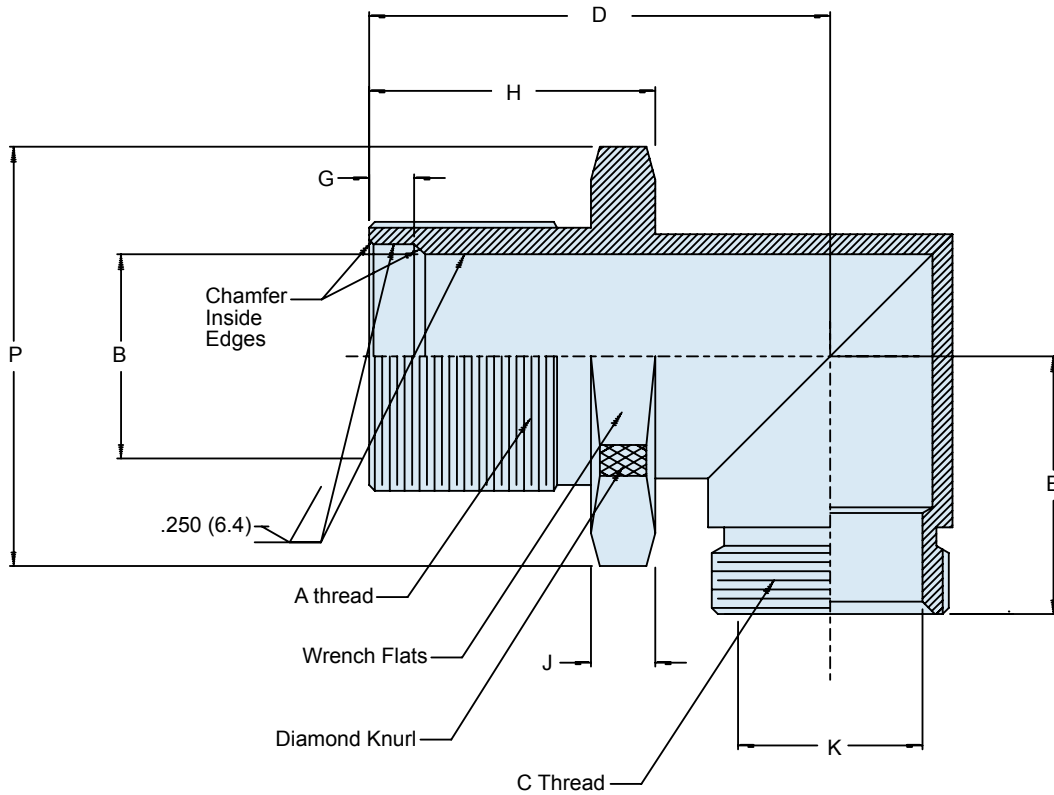
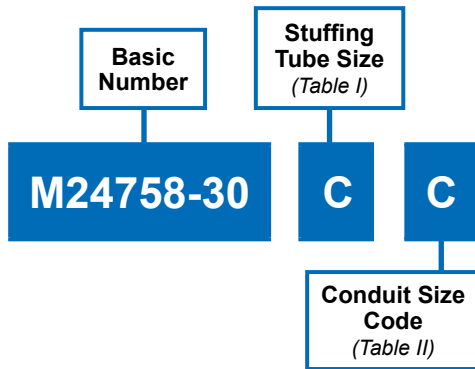
TABLE II: DASH NUMBER

DASH NO	A CLASS -2A THREAD	B DIM	P MAX DIA
01	.875-18 UNS	.250 (6.35)	1.280 (32.5)

APPLICATION NOTES

1. Assembly identified with manufacturer's code identification number (Glenair, part number and classification code 490).
2. The M24758-29 mates with the Amphenol RJF (Ethernet) connector (replace rear nut with this fitting).
3. Material / Finish:
Adapter - 316 / electroless nickel, matte finish
O-Ring - silicone rubber / N.A.
4. Metric dimensions (mm) are indicated in parentheses.

A



APPLICATION NOTES

1. Assembly identified with manufacturer's code identification number (Glenair, part number and classification code 490).
2. The M24758-30 adapter couples MIL-S-24235/9 through MIL-S-24235/17 stuffing tubes to M24758-2, M24758-3 or M24758-4 fittings.
3. Material / Finish:
Adapter - 316/Electroless nickel, matte finish
4. Metric dimensions (mm) are indicated in parentheses.

MIL-PRF-24758-30
90° Elbow for MIL-S-24235 Stuffing Tubes



MIL-PRF
24758A

A

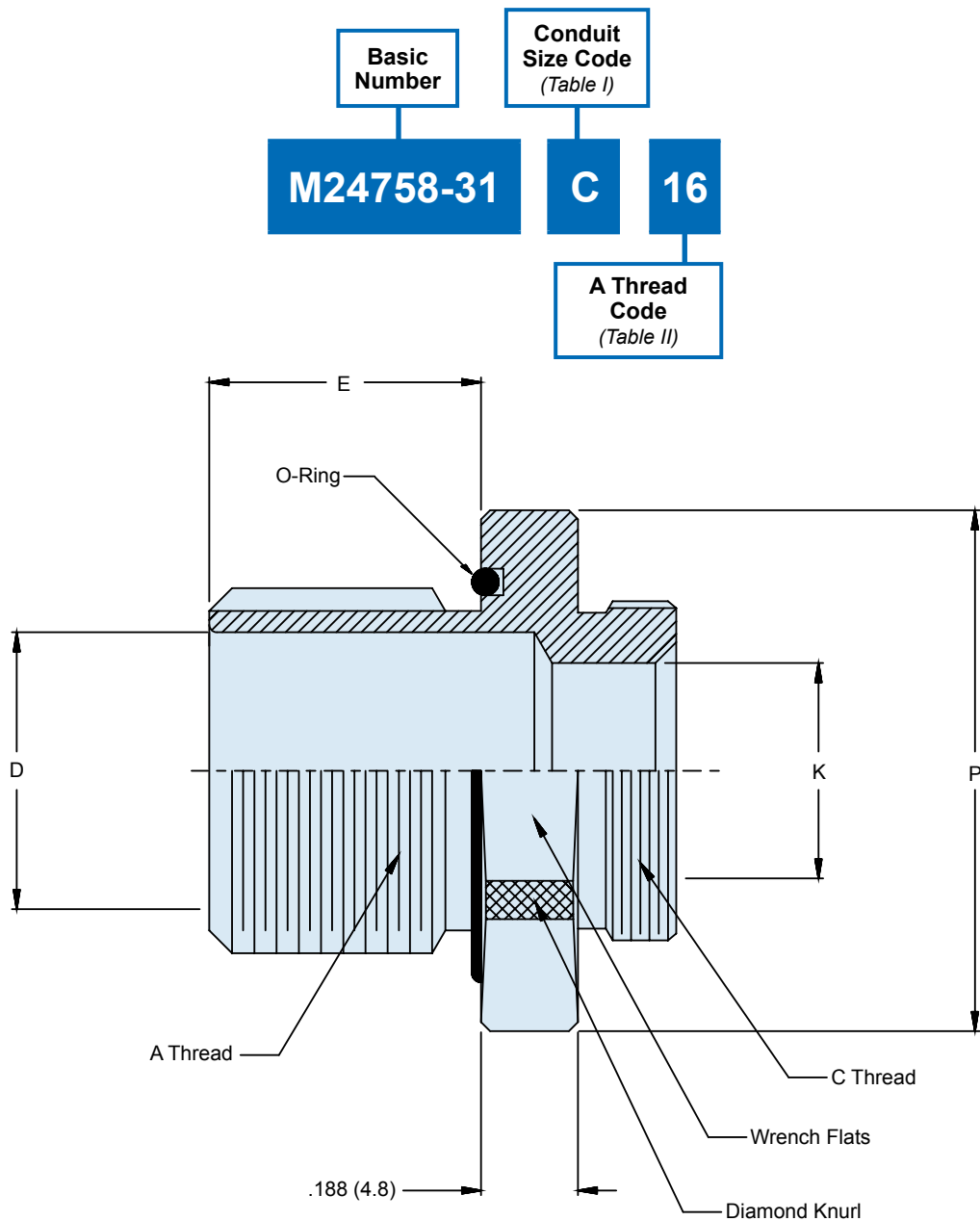
TABLE I: STUFFING TUBE SIZE

MIL-S-24235/9, /17 STUFFING TUBE SIZE	CONDUIT SIZE CODE	A CLASS -2A THREAD	B DIA	D MAX	E MAX	G DIM	H ±.02 (0.5)	J ±.02 (0.5)	P DIA MIN
A	B, J	.875-12 UN	.406 (10.3)			.250 (6.4)	1.063 (27.0)	.188 (4.8)	1.375 (34.9)
B	B, K	1.000-12 UN	.515 (13.1)	1.780 (45.2)	.950 (24.1)	.250 (6.4)	1.063 (27.0)	.188 (4.8)	1.500 (38.1)
C	C, K	1.125-12 UN	.640 (16.3)			.250 (6.4)	1.063 (27.0)	.188 (4.8)	1.625 (41.3)
D	C, D	1.250-12 UN	.750 (19.1)	1.920 (48.8)	1.200 (30.5)	.250 (6.4)	1.063 (27.0)	.188 (4.8)	1.750 (44.5)
E	C, D	1.250-12 UN	.812 (20.6)			.250 (6.4)	1.063 (27.0)	.188 (4.8)	1.750 (44.5)
F	D	1.313-12 UN	.843 (21.4)			.250 (6.4)	1.188 (30.2)	.188 (4.8)	1.812 (46.0)
G	D	1.500-12 UN	.935 (23.7)			.250 (6.4)	1.188 (30.2)	.188 (4.8)	2.000 (50.8)
J	D, E	1.625-12 UN	1.062 (27.0)			.250 (6.4)	1.188 (30.2)	.188 (4.8)	2.125 (54.0)
K	E	1.750-12 UN	1.171 (29.7)			.250 (6.4)	1.500 (38.1)	.188 (4.8)	2.250 (57.2)
L	E	1.813-12 UN	1.265 (32.1)			.250 (6.4)	1.500 (38.1)	.188 (4.8)	2.312 (58.7)
M	F	2.000-12 UN	1.406 (35.7)			.250 (6.4)	1.500 (38.1)	.188 (4.8)	2.500 (63.5)
N	F	2.063-12 UN	1.515 (38.5)			.250 (6.4)	1.563 (39.7)	.250 (6.4)	2.625 (66.7)
P	G	2.188-12 UN	1.625 (41.3)			.250 (6.4)	1.563 (39.7)	.250 (6.4)	2.750 (69.9)
R	G	2.313-12 UN	1.750 (44.5)			.250 (6.4)	1.563 (39.7)	.250 (6.4)	2.875 (73.0)
S	G	2.688-12 UN	1.875 (47.6)			.375 (9.5)	2.188 (55.6)	.313 (8.0)	3.250 (82.6)
T	G	2.875-12 UN	2.062 (52.4)			.375 (9.5)	2.188 (55.6)	.313 (8.0)	3.500 (88.9)
V	G, H	3.000-12 UN	2.187 (55.5)			.375 (9.5)	2.188 (55.6)	.313 (8.0)	3.625 (92.1)
W	H	3.125-12 UN	2.312 (58.7)			.375 (9.5)	2.188 (55.6)	.313 (8.0)	3.750 (95.3)
X	H	3.250-12 UN	2.500 (63.5)			.375 (9.5)	2.188 (55.6)	.313 (8.0)	3.875 (98.4)
Y	H	3.375-12 UN	2.609 (66.3)			.375 (9.5)	2.188 (55.6)	.313 (8.0)	4.000 (101.6)
Z	L	3.563-12 UN	2.781 (70.6)			.375 (9.5)	2.188 (55.6)	.313 (8.0)	4.250 (108.0)
AA	L	3.750-12 UN	2.875 (73.0)			.375 (9.5)	3.125 (79.4)	.438 (12.3)	4.500 (114.3)
BB	L	4.000-12 UN	3.157 (80.2)			.375 (9.5)	3.125 (79.4)	.438 (12.3)	4.750 (120.7)

TABLE II: CONDUIT SIZE CODE

CONDUIT SIZE CODE	C CLASS -2A THREAD	K DIA MIN
A	.438-28 UNEF	.245 (6.2)
B	.688-24 UNEF	.495 (12.6)
C	.938-24 UNEF	.745 (18.9)
D	1.250-18 UNEF	.995 (25.3)
E	1.563-18 UNEF	1.245 (31.6)
F	1.875-16 UN	1.495 (38.0)
G	2.375-16 UN	1.995 (50.7)
H	2.875-16 UN	2.495 (63.4)
J	.563-24 UNEF	.370 (9.4)
K	.813-20 UNEF	.620 (15.7)
L	3.375-16 UN	2.995 (76.1)

A



APPLICATION NOTES

1. Assembly identified with manufacturer's code identification number (Glenair, part number and classification code 490).
2. The M24758-31 adapter couples miscellaneous fittings to M24758-2, M24758-3 or M24758-4 fittings.
3. Material / Finish:
Adapter - 316 SST/Electroless nickel, matte finish.
O-Ring - Silicone rubber/NA
4. Metric dimensions (mm) are indicated in parentheses.

TABLE I: CONDUIT SIZE CODE

CONDUIT SIZE CODE	C CLASS - 2A THREAD	K DIA MIN
A	.438-28 UNEF	.245 (6.22)
B	.688-24 UNEF	.495 (12.57)
C	.938-20 UNEF	.745 (18.92)
D	1.250-18 UNEF	.995 (25.27)
E	1.563-18 UNEF	1.245 (31.62)
F	1.875-16 UN	1.495 (37.97)
G	2.375-16 UN	1.995 (50.67)
H	2.875-16 UN	2.495 (63.37)
J	.563-24 UNEF	.370 (9.40)
K	.813-20 UNEF	.620 (15.75)
L	3.375-16 UN	2.995 (76.07)

TABLE II: A THREAD CODE

A THREAD CODE	A PG THREAD	D DIA	H DIM	P DIM MAX	CONDUIT SIZE
07	PG 7-20	.315 (8.0)	.275 (7.0)	1.000 (25.4)	A, J
09	PG 9-18	.375 (9.5)	.275 (7.0)	1.130 (28.7)	B, J
11	PG 11-18	.520 (13.2)	.275 (7.0)	1.250 (31.8)	B, K
13	PG 13.5-18	.600 (15.2)	.275 (7.0)	1.250 (31.8)	B, K
16	PG 16-18	.670 (17.0)	.275 (7.0)	1.380 (35.1)	C, K
21	PG 21-16	.890 (22.6)			
29	PG 29-16	1.250 (31.8)			
36	PG 36-16	1.640 (41.7)			
42	PG 42-16	1.910 (48.5)			
48	PG 48-16	2.120 (53.8)			

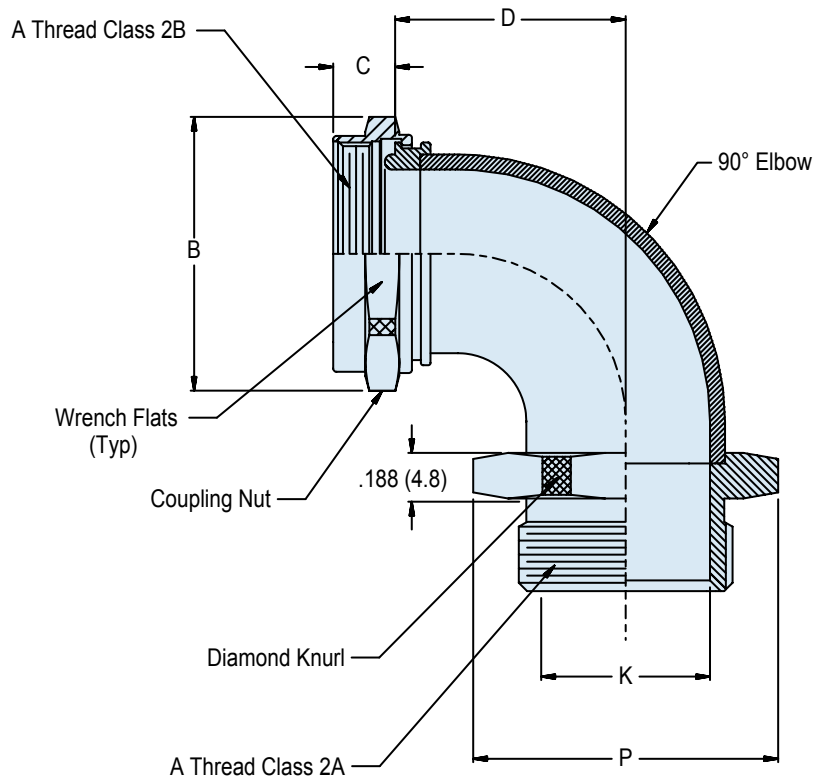
A

Basic
Number

M24758-32

Conduit
Size Code
(Table I)

C



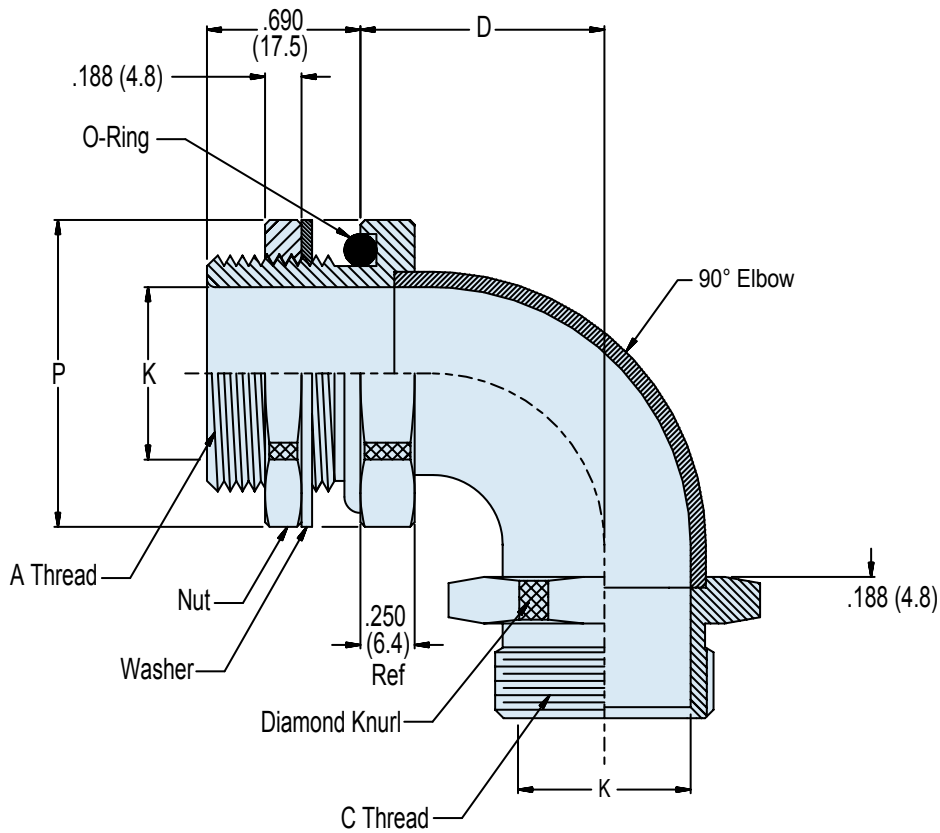
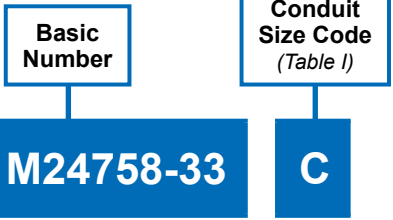
APPLICATION NOTES

1. Assembly identified with manufacturer's code identification number (Glenair, part number and classification code 490).
2. Material / Finish:
Elbow, coupling nut - 316 SST/Electroless nickel, matte finish.
3. Metric dimensions (mm) are indicated in parentheses.

TABLE I: CONDUIT SIZE CODE

CONDUIT SIZE CODE	A THREAD	B MAX DIA	C +.00 -.03 (0.8)	D ±.06 (1.5) DIM	K MIN DIA	P MAX
A	.438-28 UNEF	.880 (22.4)	.205 (5.2)	.810 (20.6)	.245 (6.2)	.880 (22.4)
B	.688-24 UNEF	1.130 (28.7)	.245 (6.2)	1.120 (28.4)	.495 (12.6)	1.130 (28.7)
C	.938-20 UNEF	1.380 (35.1)	.305 (7.7)	1.470 (37.3)	.745 (18.9)	1.380 (35.1)
D	1.250-18 UNEF	1.690 (42.9)	.365 (9.3)	1.810 (46.0)	.995 (25.3)	1.690 (42.9)
E	1.563-18 UNEF	2.000 (50.8)	.365 (9.3)	2.120 (53.8)	1.245 (31.6)	2.000 (50.8)
F	1.875-16 UN	2.310 (58.7)	.425 (10.8)	2.500 (63.5)	1.495 (38.0)	2.310 (58.7)
G	2.375-16 UN	2.940 (74.7)	.425 (10.8)	3.120 (79.2)	1.995 (50.7)	2.940 (74.7)
H	2.875-16 UN	3.440 (87.4)	.425 (10.8)	3.250 (82.6)	2.495 (63.4)	3.440 (87.4)
J	.563-24 UNEF	.940 (23.9)	.245 (6.2)	.930 (23.6)	.370 (9.4)	.940 (23.9)
K	.813-20 UNEF	1.190 (30.2)	.305 (7.7)	1.250 (31.8)	.620 (15.7)	1.190 (30.2)
L	3.375-16 UN	3.940 (100.1)	.425 (10.8)	4.500 (114.3)	2.995 (76.1)	3.940 (100.1)

A



APPLICATION NOTES

- | | |
|--|---|
| <ol style="list-style-type: none"> 1. Assembly identified with manufacturer's code identification number (Glenair, part number and classification code 490). 2. The M24758-33 adapter provides the capability of terminating a M24758-2 fitting to a thread panel. | <ol style="list-style-type: none"> 3. Material / Finish:
Adapter, jam nut, elbow - 316 SST/Electroless nickel, matte finish.
O-Ring - Silicone rubber/NA
Washer - 316 SST/Passivate 4. Metric dimensions (mm) are indicated in parentheses. |
|--|---|

MIL-PRF-24758-33
90° Elbow for Panel Termination



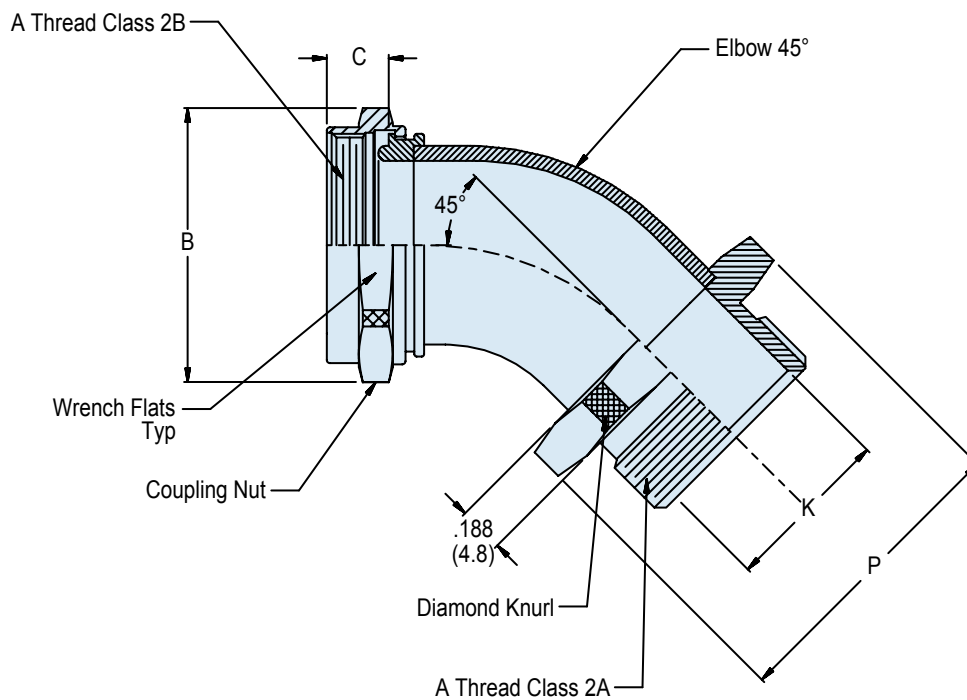
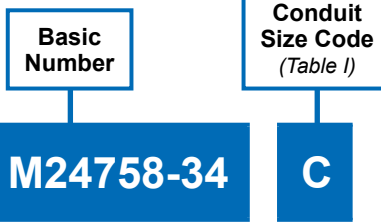
MIL-PRF
24758A

A

TABLE I

CONDUIT SIZE CODE	A CLASS - 2A THREAD	P DIA	C CLASS - 2A THREAD	K DIA MIN	D REF
A	.625-24 UNEF	1.000 (25.4)	.438-28 UNEF	.245 (6.2)	.810 (20.6)
B	.875-20 UNEF	1.250 (31.8)	.688-24 UNEF	.495 (12.6)	1.120 (28.5)
C	1.188-18 UNEF	1.562 (39.7)	.938-20 UNEF	.745 (18.9)	1.470 (37.3)
D	1.438-18 UNEF	1.812 (46.2)	1.250-18 UNEF	.995 (25.3)	1.810 (46.0)
E	1.750-16 UN	2.125 (53.9)	1.563-18 UNEF	1.245 (31.6)	2.120 (53.9)
F	2.000-16 UN	2.375 (60.3)	1.875-16 UN	1.495 (38.0)	2.500 (63.5)
G	2.500-16 UN	2.875 (73.3)	2.375-16 UN	1.995 (50.7)	3.120 (79.3)
H	3.000-16 UN	3.375 (85.7)	2.875-16 UN	2.495 (63.4)	3.250 (82.6)
J	.750-20 UNEF	1.125 (28.6)	.563-24 UNEF	.370 (9.4)	.930 (23.6)
K	1.000-20 UNEF	1.500 (38.1)	.813-20 UNEF	0.620 (15.8)	1.250 (31.8)
L	3.500-16 UN	3.875 (98.4)	3.375-16 UN	2.995 (76.1)	4.500 (114.3)

A



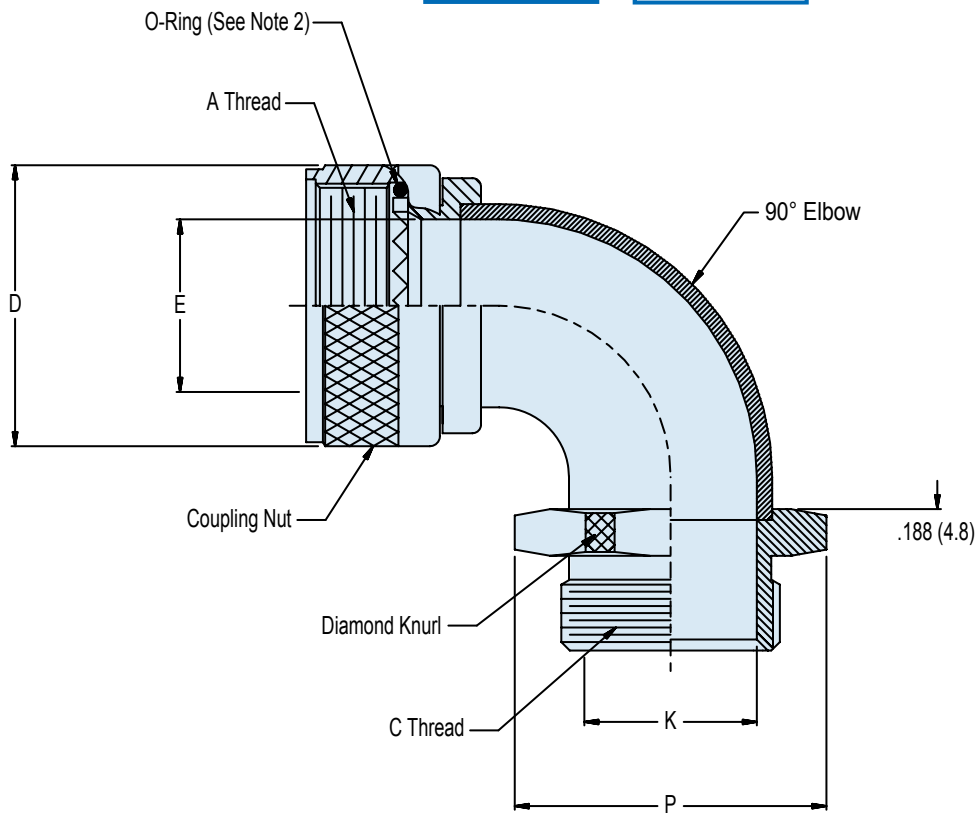
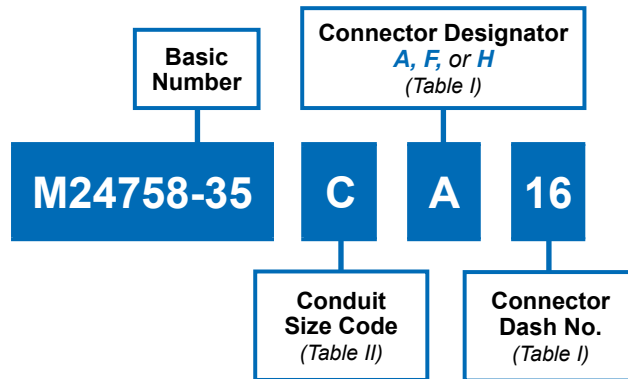
APPLICATION NOTES

1. Assembly identified with manufacturer's code identification number (Glenair, part number and classification code 490).
2. Material / Finish:
Elbow, coupling nut - 316 SST/Electroless nickel, matte finish.
O-Ring - Silicone rubber/NA
3. Metric dimensions (mm) are indicated in parentheses.

TABLE I: CONDUIT SIZE CODE

CONDUIT SIZE CODE	A THREAD	B MAX DIA	C +.00 -.03 (0.8)	K MIN DIA	P MAX
A	.438-28 UNEF	.880 (22.4)	.205 (5.2)	.245 (6.2)	.880 (22.4)
B	.688-24 UNEF	1.130 (28.7)	.245 (6.2)	.495 (12.6)	1.130 (28.7)
C	.938-20 UNEF	1.380 (35.1)	.305 (7.7)	.745 (18.9)	1.380 (35.1)
D	1.250-18 UNEF	1.690 (42.9)	.365 (9.3)	.995 (25.3)	1.690 (42.9)
E	1.563-18 UNEF	2.000 (50.8)	.365 (9.3)	1.245 (31.6)	2.000 (50.8)
F	1.875-16 UN	2.310 (58.7)	.425 (10.8)	1.495 (38.0)	2.310 (58.7)
G	2.375-16 UN	2.940 (74.7)	.425 (10.8)	1.995 (50.7)	2.940 (74.7)
H	2.875-16 UN	3.440 (87.4)	.425 (10.8)	2.495 (63.4)	3.440 (87.4)
J	.563-24 UNEF	.940 (23.9)	.245 (6.2)	.370 (9.4)	.940 (23.9)
K	.813-20 UNEF	1.190 (30.2)	.305 (7.7)	.620 (15.7)	1.190 (30.2)
L	3.375-16 UN	3.940 (100.1)	.425 (10.8)	2.995 (76.1)	3.940 (100.1)

A



APPLICATION NOTES

1. Assembly identified with manufacturer's code identification number (Glenair, part number and classification code 490).
2. O-Ring not supplied with connector designator A.
3. See Glenair Circular Connector Accessories catalog for recommended torque values, Group 2.
4. Material / Finish:
Elbow, coupling nut - 316 SST/Electroless nickel, matte finish.
O-Ring - Silicone rubber/NA
5. Metric dimensions (mm) are indicated in parentheses.

MIL-PRF-24758-35

90° Elbow for Connectors Listed in Table I



MIL-PRF
24758A

A

TABLE I: Dimensions for CONNECTOR DESIGNATOR A (See Note 2)

Connector Dash No.	NAS 1599 and MIL-DTL-83723 Series I and III	MIL-DTL-5015 (MS3400 Series)	AS81703 (Navy) Series III	MIL-DTL-26482 Series II	A Thread Class - 2B	D Dia Max	E Dia Ref
03	—	—	03	—	.562-24 UNEF	.669 (17.0)	.270 (6.9)
08	08	8S	—	08	.500-20 UNF	.617 (15.7)	.270 (6.9)
10	10	10S, 10SL	—	10	.624-24 UNEF	.734 (18.6)	.375 (9.5)
12	12	12, 12S	07	12	.750-20 UNEF	.858 (21.8)	.511 (13.0)
14	14	14, 14S	12	14	.875-20 UNEF	.984 (25.0)	.585 (14.9)
16	16	16, 16S	19	16	1.000-20 UNEF	1.112 (28.2)	.710 (18.0)
18	18	18	27	18	1.062-18 UNEF	1.218 (30.9)	.789 (20.0)
20	20	20	37	20	1.188-18 UNEF	1.345 (34.2)	.914 (23.2)
22	22	22	—	22	1.312-18 UNEF	1.468 (37.3)	1.039 (26.4)
24	24	24	—	24	1.438-18 UNEF	1.593 (40.5)	1.154 (29.3)
28	—	28	—	—	1.750-18 UNS	1.969 (50.0)	1.389 (35.3)
32	—	32	—	—	2.000-18 UNS	2.219 (56.4)	1.635 (41.5)
36	—	36	—	—	2.250-16 UN	2.469 (62.7)	1.850 (47.0)
40	—	40	—	—	2.500-16 UN	2.719 (69.1)	2.065 (52.5)
44	—	44	—	—	3.000-16 UN	2.969 (75.4)	2.320 (58.9)
48	—	48	—	—	3.000-16 UN	3.219 (81.8)	2.570 (65.3)
61	—	—	61	—	1.500-18 UNEF	1.653 (42.0)	1.194 (30.3)

TABLE I: Dimensions for CONNECTOR DESIGNATOR F

Connector Dash No.	NAS 1599 and MIL-DTL-83723 Series I and III	A Thread Class - 2B	D Dia Max	E Dia Ref
08	08	.438-28 UNEF	.860 (21.8)	.269 (6.8)
10	10	.562-24 UNEF	.980 (24.9)	.402 (10.2)
12	12	.688-24 UNEF	1.160 (29.5)	.516 (13.1)
14	14	.812-20 UNEF	1.280 (32.5)	.641 (16.3)
16	16	.938-20 UNEF	1.410 (35.8)	.766 (19.5)
18	18	1.062-18 UNEF	1.520 (38.6)	.863 (21.9)
20	20	1.188-18 UNEF	1.640 (41.7)	.988 (25.1)
22	22	1.312-18 UNEF	1.770 (45.0)	1.113 (28.3)
24	24	1.438-18 UNEF	1.890 (48.0)	1.238 (31.4)

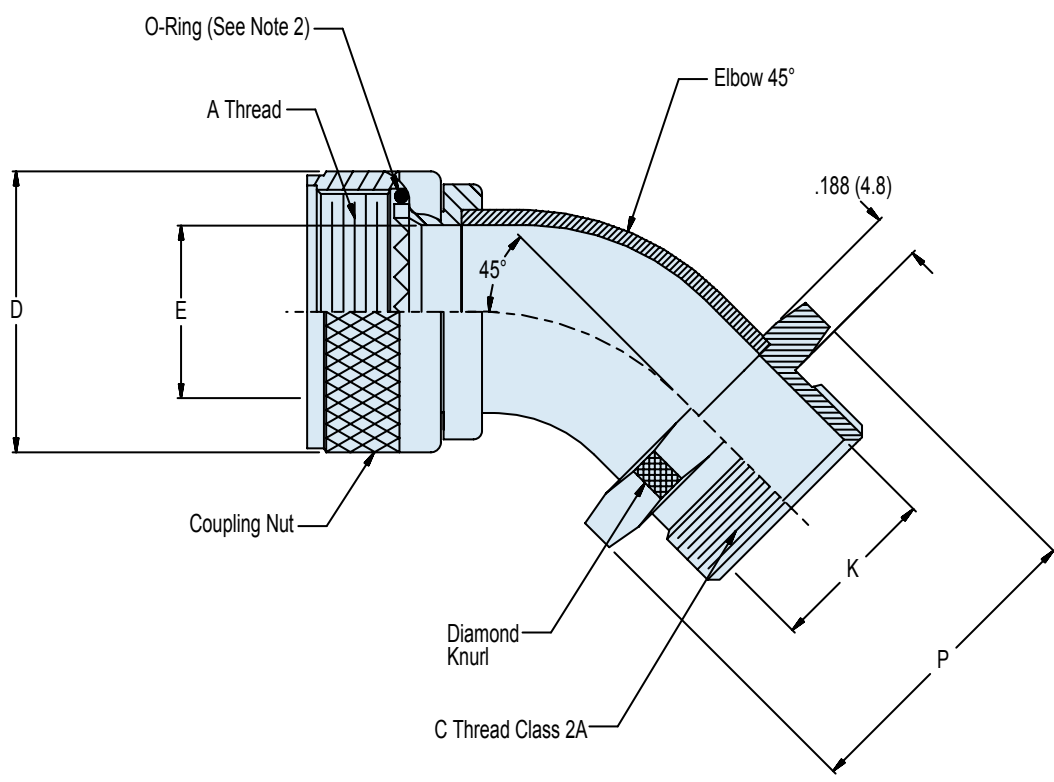
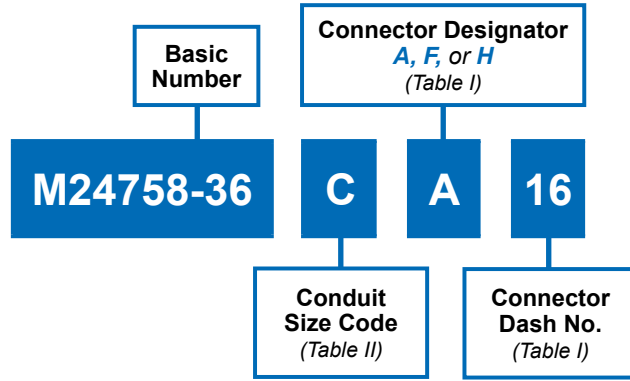
TABLE II: Conduit Size Code and Fitting Dimensions

Conduit Size Code	C Thread Class - 2A	K Dia Min	P Max
A	.438-28 UNEF	.245 (6.2)	.880 (22.4)
B	.562-24 UNEF	.495 (12.6)	1.130 (28.7)
C	.688-24 UNEF	.745 (18.9)	1.380 (35.1)
D	.812-20 UNEF	.995 (25.3)	1.690 (43.0)
E	.938-20 UNEF	1.245 (31.6)	2.000 (50.8)
F	1.062-18 UNEF	1.495 (38.0)	2.310 (58.7)
G	1.188-18 UNEF	1.995 (50.7)	2.940 (74.7)
H	1.312-18 UNEF	2.495 (63.4)	3.440 (87.4)
J	1.438-18 UNEF	.370 (9.4)	.940 (23.9)
K	1.438-18 UNEF	.620 (15.7)	1.190 (30.2)
L	1.750-18 UNS	2.995 (76.1)	3.940 (100.1)

TABLE I: Dimensions for CONNECTOR DESIGNATOR H

Connector Dash No.	MIL-DTL-38999 Series III & IV	A Thread	D Dia Max	E Dia Ref
09	A / 09	M12 X 1.0 -6H	.860 (21.8)	.269 (6.8)
11	B / 11	M15 X 1.0 -6H	.980 (24.9)	.402 (10.2)
13	C / 13	M18 X 1.0 -6H	1.160 (29.5)	.516 (13.1)
15	D / 15	M22 X 1.0 -6H	1.280 (32.5)	.641 (16.3)
17	E / 17	M25 X 1.0 -6H	1.410 (35.8)	.766 (19.5)
19	F / 19	M28 X 1.0 -6H	1.520 (38.6)	.863 (21.9)
21	G / 21	M31 X 1.0 -6H	1.640 (41.7)	.988 (25.1)
23	H / 23	M34 X 1.0 -6H	1.770 (45.0)	1.113 (28.3)
25	J / 25	M37 X 1.0 -6H	1.890 (48.0)	1.238 (31.4)

A



APPLICATION NOTES

1. Assembly identified with manufacturer's code identification number (Glenair, part number and classification code 490).
2. O-Ring not supplied with connector designator A.
3. See Glenair Circular Connector Accessories catalog for recommended torque values, Group 2.
4. Material / Finish:
Elbow, coupling nut - 316 SST/Electroless nickel, matte finish.
O-Ring - Silicone rubber/NA
5. Metric dimensions (mm) are indicated in parentheses.

MIL-PRF-24758-36

45° Elbow for Connectors Listed in Table I



MIL-PRF
24758A

A

TABLE I: Dimensions for CONNECTOR DESIGNATOR A (See Note 2)

Connector Dash No.	NAS 1599 and MIL-DTL-83723 Series I and III	MIL-DTL-5015 (MS3400 Series)	AS81703 (Navy) Series III	MIL-DTL-26482 Series II	A Thread Class - 2B	D Dia Max	E Dia Ref
03	—	—	03	—	.562-24 UNEF	.669 (17.0)	.270 (6.9)
08	08	8S	—	08	.500-20 UNF	.617 (15.7)	.270 (6.9)
10	10	10S, 10SL	—	10	.624-24 UNEF	.734 (18.6)	.375 (9.5)
12	12	12, 12S	07	12	.750-20 UNEF	.858 (21.8)	.511 (13.0)
14	14	14, 14S	12	14	.875-20 UNEF	.984 (25.0)	.585 (14.9)
16	16	16, 16S	19	16	1.000-20 UNEF	1.112 (28.2)	.710 (18.0)
18	18	18	27	18	1.062-18 UNEF	1.218 (30.9)	.789 (20.0)
20	20	20	37	20	1.188-18 UNEF	1.345 (34.2)	.914 (23.2)
22	22	22	—	22	1.312-18 UNEF	1.468 (37.3)	1.039 (26.4)
24	24	24	—	24	1.438-18 UNEF	1.593 (40.5)	1.154 (29.3)
28	—	28	—	—	1.750-18 UNS	1.969 (50.0)	1.389 (35.3)
32	—	32	—	—	2.000-18 UNS	2.219 (56.4)	1.635 (41.5)
36	—	36	—	—	2.250-16 UN	2.469 (62.7)	1.850 (47.0)
40	—	40	—	—	2.500-16 UN	2.719 (69.1)	2.065 (52.5)
44	—	44	—	—	3.000-16 UN	2.969 (75.4)	2.320 (58.9)
48	—	48	—	—	3.000-16 UN	3.219 (81.8)	2.570 (65.3)
61	—	—	61	—	1.500-18 UNEF	1.653 (42.0)	1.194 (30.3)

TABLE I: Dimensions for CONNECTOR DESIGNATOR F

Connector Dash No.	NAS 1599 and MIL-DTL-83723 Series I and III	A Thread Class - 2B	D Dia Max	E Dia Ref
08	08	.438-28 UNEF	.860 (21.8)	.269 (6.8)
10	10	.562-24 UNEF	.980 (24.9)	.402 (10.2)
12	12	.688-24 UNEF	1.160 (29.5)	.516 (13.1)
14	14	.812-20 UNEF	1.280 (32.5)	.641 (16.3)
16	16	.938-20 UNEF	1.410 (35.8)	.766 (19.5)
18	18	1.062-18 UNEF	1.520 (38.6)	.863 (21.9)
20	20	1.188-18 UNEF	1.640 (41.7)	.988 (25.1)
22	22	1.312-18 UNEF	1.770 (45.0)	1.113 (28.3)
24	24	1.438-18 UNEF	1.890 (48.0)	1.238 (31.4)

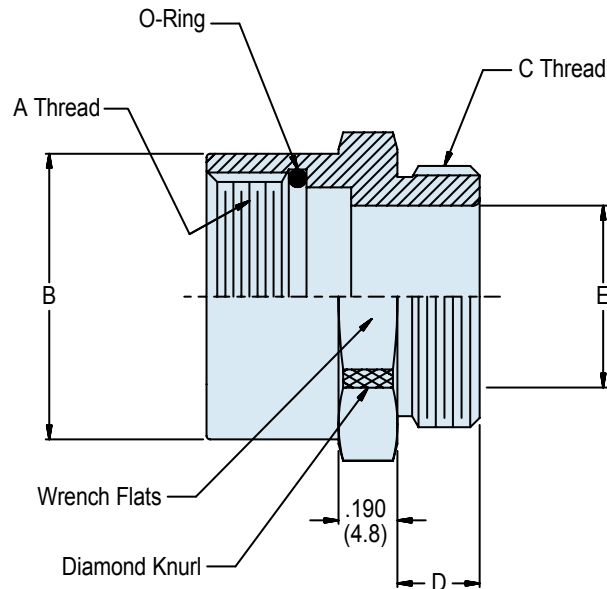
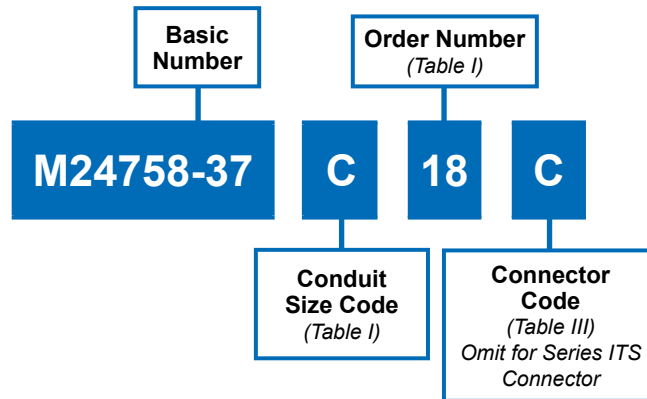
TABLE II: Conduit Size Code and Fitting Dimensions

Conduit Size Code	C Thread Class - 2A	K Dia Min	P Max
A	.438-28 UNEF	.245 (6.2)	.880 (22.4)
B	.688-24 UNEF	.495 (12.6)	1.130 (28.7)
C	.938-20 UNEF	.745 (18.9)	1.380 (35.1)
D	1.250-18 UNEF	.995 (25.3)	1.690 (43.0)
E	1.563-18 UNEF	1.245 (31.6)	2.000 (50.8)
F	1.875-16 UN	1.495 (38.0)	2.310 (58.7)
G	2.375-16 UN	1.995 (50.7)	2.940 (74.7)
H	2.875-16 UN	2.495 (63.4)	3.440 (87.4)
J	.563-24 UNEF	.370 (9.4)	.940 (23.9)
K	.813-20 UNEF	.620 (15.7)	1.190 (30.2)
L	3.375-16 UN	2.995 (76.1)	3.940 (100.1)

TABLE I: Dimensions for CONNECTOR DESIGNATOR H

Connector Dash No.	MIL-DTL-38999 Series III & IV	A Thread	D Dia Max	E Dia Ref
09	A / 09	M12 X 1.0 -6H	.860 (21.8)	.269 (6.8)
11	B / 11	M15 X 1.0 -6H	.980 (24.9)	.402 (10.2)
13	C / 13	M18 X 1.0 -6H	1.160 (29.5)	.516 (13.1)
15	D / 15	M22 X 1.0 -6H	1.280 (32.5)	.641 (16.3)
17	E / 17	M25 X 1.0 -6H	1.410 (35.8)	.766 (19.5)
19	F / 19	M28 X 1.0 -6H	1.520 (38.6)	.863 (21.9)
21	G / 21	M31 X 1.0 -6H	1.640 (41.7)	.988 (25.1)
23	H / 23	M34 X 1.0 -6H	1.770 (45.0)	1.113 (28.3)
25	J / 25	M37 X 1.0 -6H	1.890 (48.0)	1.238 (31.4)

A



APPLICATION NOTES

1. Assembly identified with manufacturer's code identification number (Glenair, part number and classification code 490).
2. The M24758-37 adapter couples VG95234 connectors to M24758-2, M24758-3 or M24758-4 fittings.
3. See Glenair Circular Connector Accessories catalog for recommended torque values, Group 2.
4. Material / Finish:
Elbow, coupling nut - 316L SST/Electroless nickel, matte finish.
O-Ring - Silicone rubber/NA
5. Metric dimensions (mm) are indicated in parentheses.

MIL-PRF-24758-37
Adapter for VG94234 Reverse Bayonet Connector



MIL-PRF
24758A

A

TABLE I: CONDUIT SIZE CODE

CONDUIT SIZE CODE	C THREAD	D +.03 (0.8) -.00	E MIN DIA
A	.438-28 UNEF	.210 (5.3)	.245 (6.2)
B	.688-24 UNEF	.250 (6.4)	.495 (12.6)
C	.938-20 UNEF	.310 (7.9)	.745 (18.9)
D	1.250-18 UNEF	.370 (9.4)	.995 (25.3)
E	1.563-18 UNEF	.370 (9.4)	1.245 (31.6)
F	1.875-16 UN	.430 (10.9)	1.495 (38.0)
G	2.375-16 UN	.430 (10.9)	1.995 (50.7)
H	2.875-16 UN	.430 (10.9)	2.495 (63.4)
J	.563-24 UNEF	.250 (6.4)	.370 (9.4)
K	.813-20 UNEF	.310 (7.9)	.620 (15.7)
L	3.375-16 UN	.430 (10.9)	2.995 (76.1)

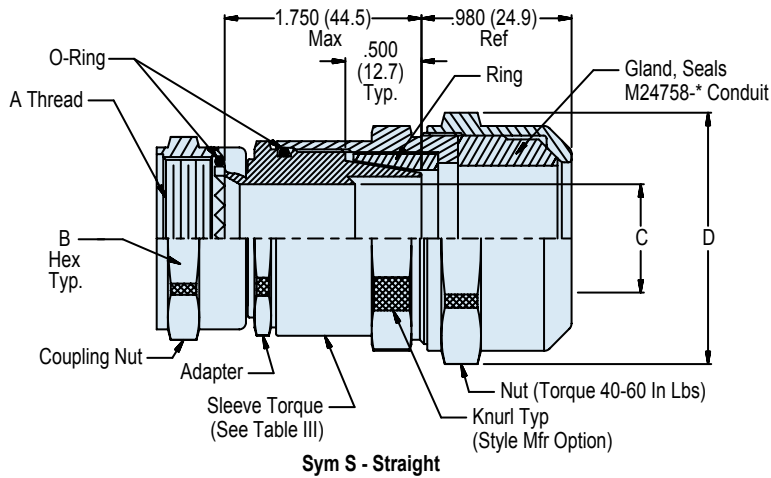
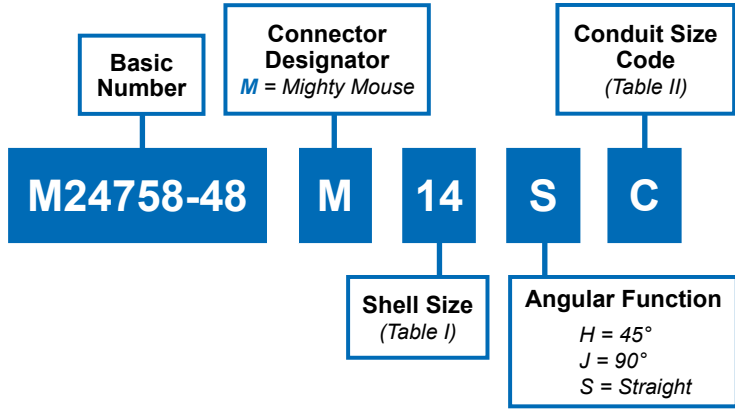
TABLE II: ORDER NUMBER

ORDER NO.	SHELL SIZE VG95234	CONNECTOR DESIGNATOR	A THREAD CLASS 2B	B MAX
10	10SL	—,A,C,D,E	5/8-24 UNEF	.795 (20.2)
11	10SL	B	9/16-24 UNEF	.831 (21.1)
12	12S	B	5/8-24 UNEF	.890 (22.6)
14	14S	—,A,B,C,D,E	3/4-20 UNEF	1.012 (25.7)
16	16S	—,A,B,C,D,E	7/8-20 UNEF	1.209 (30.7)
17	16	—,A,B,C,D,E	7/8-20 UNEF	1.209 (30.7)
18	18	—,A,B,C,D,E	1-20 UNEF	1.332 (33.8)
20	20	—,A,B,C,D,E	1 1/8-18 UNEF	1.457 (37.0)
22	22	—,A,B,C,D,E	1 1/4-18 UNEF	1.583 (40.2)
24	24	—,A,B,C,D,E	1 3/8-18 UNEF	1.771 (45.0)
28	28	—,A,B,C,D,E	1 5/8-18 UNEF	1.929 (49.0)
32	32	—,A,B,C,D,E	1 7/8-16 UNEF	2.217 (56.3)
36	36	—,A,C,D,E	2 1/16-16 UNS	2.345 (59.6)
37	36	B	2 1/8-16 UNS	2.449 (62.2)
39	40	B	2 3/8-16 UNS	2.724 (69.2)
40	40	—,A,C,D,E	2 5/16-16 UNS	2.590 (65.8)

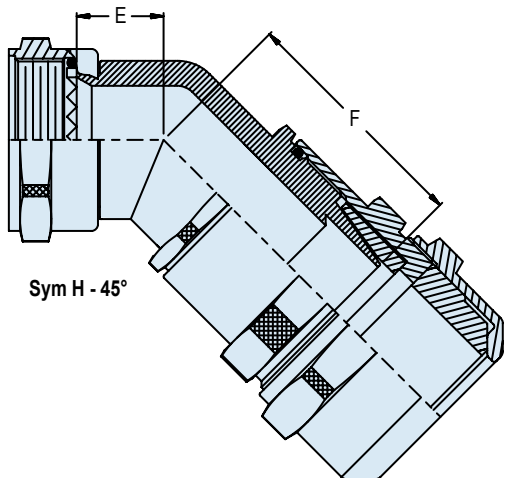
TABLE III: CONNECTOR CODE AND FITTING DIMENSIONS

Connector Code	Manufacturer and Series Description
—	Glenair ITS Series, VG95234
A	Amphenol, GT Series, VG95234
B	ITT Cannon, VG95234
C	Litton Veam, CIR Series, VG95234
D	Space Craft, VG95234
E	JTech, JTCIR, VG95234
F	AB Connectors, VG95234
G	Van-System, VG95234
H	R3 Connector Systems, VG95234

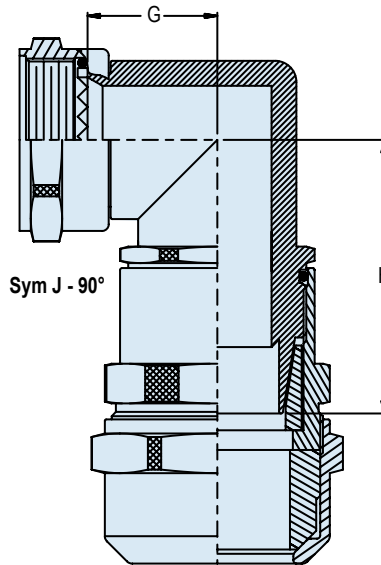
A



Sym S - Straight



Sym H - 45°



Sym J - 90°

MIL-PRF-24758-48
Mighty Mouse Connector Adapter
 User Installable for Glenair MIL-PRF-25758 Conduit



MIL-PRF
24758A

A

TABLE I: Order No., Shell Size, Thread, Dimensions and Max Conduit Size Code

Order No.	Shell Size Ref		A Thread Class - 2B	B Hex	E Hex	F Max	G Max	H Max	Max Conduit Size Code See Note 3
	800 / 801 803 / 804	805							
05	05	N/A	1/4-32 UNEF	.437 (11.09)	.640 (16.26)	1.770 (44.96)	1.030 (26.16)	1.840 (46.74)	A
06	06	N/A	5/16-32 UNEF	.500 (12.70)	.640 (16.26)	1.800 (45.72)	1.030 (26.16)	1.880 (47.75)	A
11	N/A	08	3/8-32 UNEF	.562 (14.27)	.660 (16.76)	1.800 (45.72)	1.100 (27.94)	1.900 (48.26)	J
07	07	09	7/16-28 UNEF	.625 (15.88)	.660 (16.76)	1.850 (46.99)	1.100 (27.94)	1.950 (41.91)	J
08	08	10	1/2-28 UNEF	.687 (17.45)	.690 (17.53)	1.860 (47.24)	1.200 (30.48)	1.980 (50.29)	B
09	09	11	9/16-24 UNEF	.750 (19.05)	.690 (17.53)	1.890 (48.01)	1.200 (30.48)	2.020 (51.31)	B
10	10	12	5/8-24 UNEF	.812 (20.62)	.710 (18.03)	1.900 (48.26)	1.270 (32.26)	2.050 (52.07)	K
12	11/12 /13	N/A	11/16-24 UNEF	.875 (22.23)	.740 (18.80)	1.920 (48.77)	1.340 (34.04)	2.100 (53.34)	C
13	N/A	15	3/4-20 UNEF	1.000 (25.40)	.740 (18.80)	1.880 (47.75)	1.340 (34.04)	2.120 (53.85)	C
14	14/15 16/17	18/19	15/16-20 UNEF	1.125 (28.58)	.790 (20.07)	2.000 (50.80)	1.500 (38.10)	2.240 (56.90)	D
17	21	23	1 3/16-18 UNEF	1.375 (34.93)	.840 (21.34)	2.080 (52.83)	1.640 (41.66)	2.370 (60.20)	E

TABLE II: Conduit Size Code

Conduit Size Code	C I.D.	D Max
A	.250 (6.35)	1.140 (28.96)
J	.375 (9.53)	1.340 (34.04)
B	.500 (12.70)	1.460 (37.08)
K	.625 (15.88)	1.650 (41.91)
C	.750 (19.05)	1.780 (45.21)
D	1.000 (25.40)	2.030 (51.56)
E	1.250 (31.75)	2.280 (57.91)
F	1.500 (38.10)	2.530 (64.26)
G	2.000 (50.80)	3.140 (79.76)
H	2.500 (63.50)	3.650 (92.71)
L	3.000 (76.20)	4.150 (105.41)

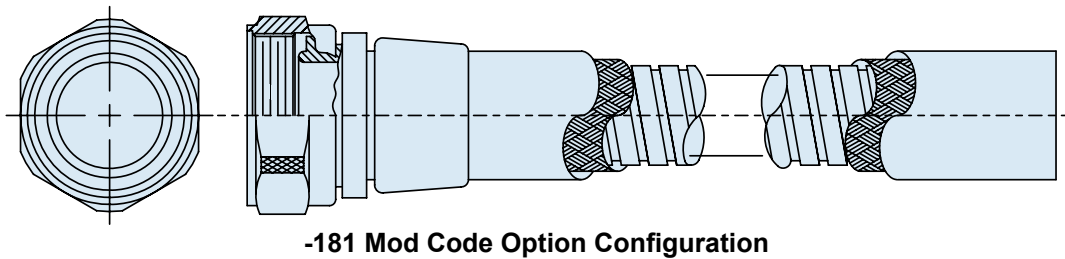
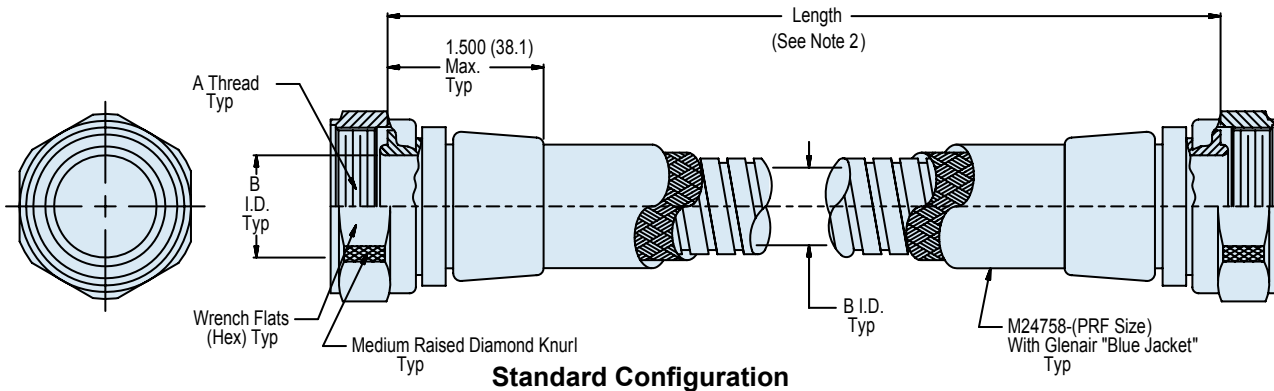
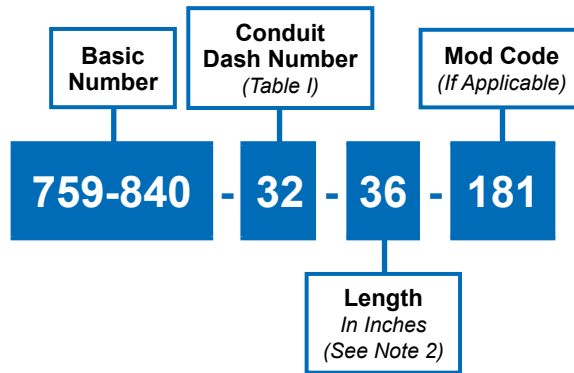
TABLE III: Recommended Sleeve Torque

Conduit Size Code	± 5 Inch Pounds
A	120
J	140
B	150
K	170
C	170
D	170
E	170
F	170
G	120
H	140
L	170

APPLICATION NOTES

1. Assembly identified with manufacturer's name and part number, space permitting.
2. Glenair 600 Series Backshell Assembly Tools are recommended for assembly and installation.
3. When maximum Conduit Size Code is exceeded, dimensions E, F, G and H may be exceeded. Consult factory for dimensions.
4. Material / Finish:
Coupling nuts, adapters, nuts, sleeves, elbows and rings - 316L SST/ Electroless nickel, matte finish.
O-Ring and gland - Silicone rubber/NA
5. Metric dimensions (mm) are indicated in parentheses.

A



APPLICATION NOTES

1. Assembly identified with manufacturer's code identification number.
2. Length tolerance is 0-24" = ±1/4, for longer lengths is ±1% of length.
3. Glenair series 600 backshell assembly tools are recommended for assembly and installation.
4. Material / Finish:
Adapter, ferrule, coupling nut - 316L SST/Electroless nickel, matte finish.
O-Ring - Silicone rubber/NA
5. Metric dimensions (mm) are indicated in parentheses.

759-840 Conduit Assembly



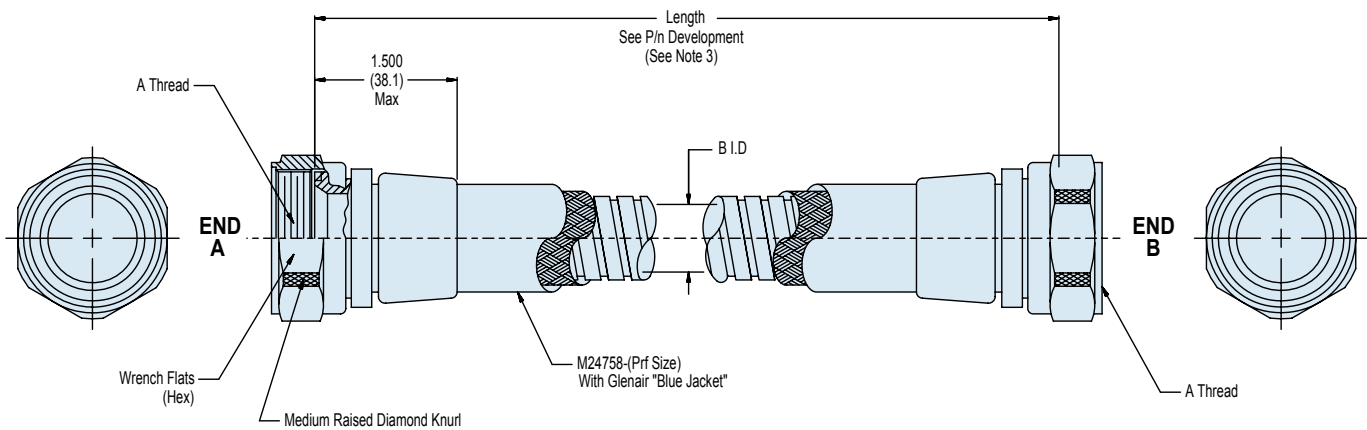
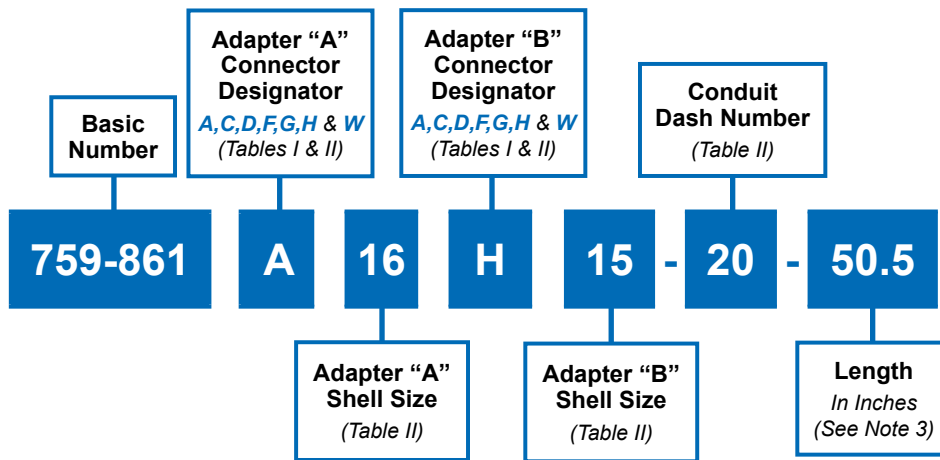
MIL-PRF
24758A

A

TABLE I: CONDUIT SIZE CODE

CONDUIT DASH NO.	MIL PRF SIZE	A THREAD CLASS 2B	B MIN.
08	A	7/16-28 UNEF	.245 (6.2)
12	J	9/16-24 UNEF	.370 (9.4)
16	B	11/16-24 UNEF	.495 (12.6)
20	K	13/16-20 UNEF	.620 (15.7)
24	C	15/16-20 UNEF	.745 (18.9)
32	D	1 1/4-18 UNEF	.995 (25.3)
40	E	1 9/16-18 UNEF	1.245 (31.6)
48	F	1 7/8-16 UN	1.495 (38.0)
64	G	2 3/8-16 UN	1.995 (50.7)
80	H	2 7/8-16 UN	2.495 (63.4)
96	L	3 3/8-16 UN	2.995 (76.1)

A



APPLICATION NOTES

1. Assembly identified with manufacturer's code identification.
2. Glenair 600 series backshell assembly tools are recommended for assembly installation.
3. Length tolerance is 0-24" = $\pm 1/4"$, for longer lengths is $\pm 1\%$ of length.
4. Material / Finish:
Adapter, ferrule & coupling nut - AISI 316L stainless steel / electroless nickel, matte finish.
5. Metric dimensions (mm) are indicated in parentheses.

759-861
Connector to Connector
Factory Terminated Conduit Assembly



MIL-PRF
24758A

A

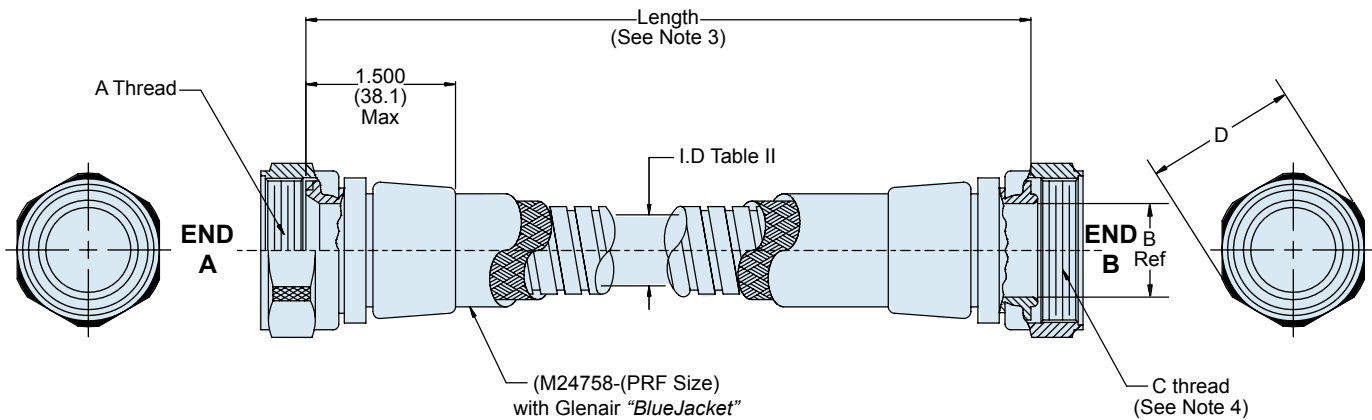
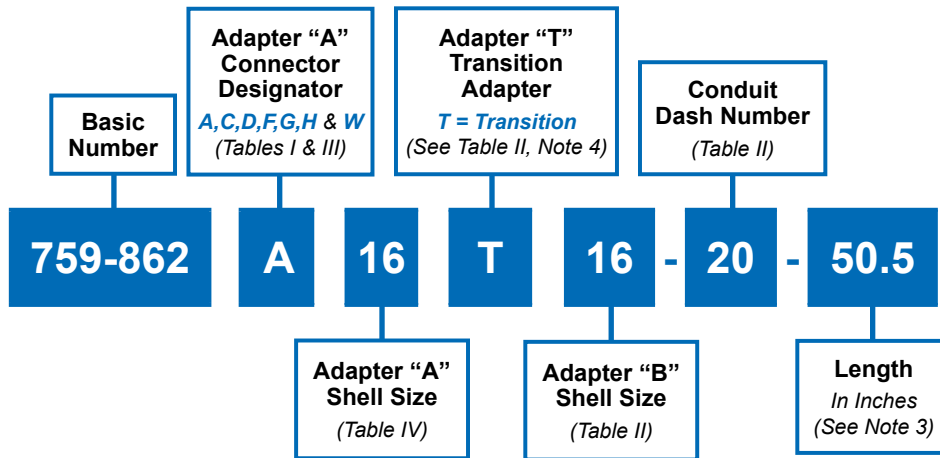
TABLE I: CONNECTOR CODE

CONN. CODE	SPECIFICATION
A	MIL-DTL-5015 (MS34**) MIL-DTL-26482 Series II MIL-DTL-83723 Series I, III
C	MIL-C-22992 Series R
D	MIL-C-26482 Series I
F	MIL-DTL-38999, Series I
G	MIL-C-28840
H	MIL-DTL-38999 Series III, IV
W	Glenair Series 22 (Geo-Marine®)

TABLE II: CONDUIT DASH NO.

CONDUIT DASH NO	MIL PRF SIZE	B MIN.
08	A	.245 (6.22)
12	J	.370 (9.40)
16	B	.495 (12.57)
20	K	.620 (15.75)
24	C	.745 (18.92)
32	D	.995 (25.27)
40	E	1.245 (31.62)
48	F	1.495 (37.97)
64	G	1.995 (50.67)
80	H	2.495 (63.37)
96	L	2.995 (76.07)

A



APPLICATION NOTES

1. Assembly identified with manufacturer's code identification.
2. Glenair 600 series backshell assembly tools are recommended for assembly installation.
3. Length tolerance is 0-24" = $\pm 1/4$ ", for longer lengths is $\pm 1\%$ of length.
4. End "B" adapter (C thread) mates with corresponding MIL-PRF-24758-* adapter (see Table II).
5. Glenair series 600 backshell assembly tools are recommended for assembly and installation.
6. Material / Finish:
Adapter, ferrule & coupling nut - AISI 316L stainless steel / electroless nickel, matte finish.
7. Metric dimensions (mm) are indicated in parentheses.

759-862
Connector to Adapter
Factory Terminated Conduit Assembly



MIL-PRF
24758A

A

TABLE I: CONNECTOR CODE

CONN. CODE	SPECIFICATION
A	MIL-DTL-5015 (MS34**) MIL-DTL-26482 Series II MIL-DTL-83723 Series I, III
C	MIL-C-22992 Series R
D	MIL-C-26482 Series I
F	MIL-DTL-38999, Series I
G	MIL-C-28840
H	MIL-DTL-38999 Series III, IV
W	Glenair Series 22 (Geo-Marine®)

TABLE II: CONDUIT DASH NO.

CONDUIT DASH NO	MIL PRF SIZE	B MIN	C THREAD CLASS 2B	D MAX
08	A	.245 (6.22)	.438-28 UNEF	.880 (22.4)
12	J	.370 (9.40)	.563-24 UNEF	.940 (23.9)
16	B	.495 (12.57)	.688-24 UNEF	1.130 (28.7)
20	K	.620 (15.75)	.813-20 UNEF	1.190 (30.2)
24	C	.745 (18.92)	.938-20 UNEF	1.380 (35.1)
32	D	.995 (25.27)	1.250-18 UNEF	1.690 (42.9)
40	E	1.245 (31.62)	1.563-18 UNEF	2.000 (50.8)
48	F	1.495 (37.97)	1.875-16 UN	2.310 (58.7)
64	G	1.995 (50.67)	2.375-16 UN	2.940 (74.7)
80	H	2.495 (63.37)	2.875-16 UN	3.440 (87.4)
96	L	2.995 (76.07)	3.375-16 UN	3.940 (100.1)

TABLE III: REFERENCE ONLY

MIL PRF DASH NO.	END "B" MATING ADAPTERS MIL-PRF-24758
9	MS3100 Series MIL-DTL-5015
11	Coaxial Connectors
12	MIL-DTL-26482 Series I (Code D Table I)
13	MS3155 Series (Code A Table I)
14	MIL-DTL-28840 (Code G Table I)
15	MIL-S-24235 Stuffing Tubes
16	Miscellaneous Fittings
17	Tapered Pipe Thread
18	Straight Pipe Thread
19	Bulkhead Termination
20	MIL-DTL-38999 (Codes F & H Table I)
22	Glenair Series 22 Geo-Marine® (Code W Table I)
23	Union Fitting
24	Shielded Cable Fitting

TABLE IV: Shell Dimensions

Shell Size		B Hex
A, F, L	H	
08		.625 (15.88)
	09	.687 (17.45)
10/11		.750 (19.05)
	11	.812 (20.62)
12/13		.875 (22.23)
	13	.937 (23.80)
14/15		1.000 (25.4)
	15	1.062 (26.97)
16/17		1.125 (28.58)
	17	1.250 (31.75)
18/19		1.187 (30.15)
	19	1.375 (34.93)
20/21		1.312 (33.32)
	21	1.500 (38.10)
22/23		1.437 (36.50)
	23	1.625 (41.28)
24/25		1.562 (39.67)
	25	1.750 (44.45)
28		1.875 (47.63)
32		2.125 (53.98)
36		2.375 (60.33)
40		2.625 (66.68)
44		3.000 (76.20)
48		3.250 (82.55)
61		1.625 (41.28)

MIL-DTL-28840

CONNECTOR ACCESSORIES

No Gaps: Every Slash Sheet, Every Size.

Military Connector Specification	 37 Environmental Backshells	 39 EMI/RFI Environmental Backshells	 60 Connector Sockets	 61 "E" Nuts
				Non-Self-Locking
MIL-DTL-28840	M28840/6 B Straight M28840/9 B 45° M28840/8 B 90°	M28840/6 A Straight M28840/8 A 90° M28840/9 A 45°	600G005*	M28840/23
Military Connector Specification	 62 Strain Reliefs	 65 Dummy Storage Receptacles	 66 Protective Plug Covers	 66 Protective Receptacle Covers
	Non-Self-Locking			
MIL-DTL-28840	M28840/1 Straight M28840/3 45° M28840/2 90°	M28840/7	M28840/15	M28840/13
Military Connector Specification	 68 Jam Nuts	 68 Mounting Flanges and Gaskets	 70 - 74 MIL-PRF-24758A Conduit Fittings	
	MIL-DTL-28840	MS3186	M28840/24 Gasket	M24758-14 Straight (M24758/14 Straight.)* M28840/5 Straight M28840/25 90° M28840/27 45° M28840/30 Coupling

Glenair, Inc.
1211 Air Way • Glendale, CA 91201-2497
Tel: 818-247-6000 • Fax: 818-500-9912
E-Mail: sales@glenair.com

Qualified Military Standard Connectors and Accessories for Shipboard Applications

Ideal for All Rugged Environmental Applications

B

Product Applications

The standard connector and backshell series for shipboard use, MIL-DTL-28840 offers high-density insert arrangement and high-shock performance. Glenair's qualified product line is fully tooled and highly available.

The MIL-DTL-28840 features RFI/EMI shielding, scoop-proof shells and corrosion resistant materials and finishes. In addition to all the connector types and styles, Glenair makes all the backshell accessory slash numbers as well. The addition of the MIL-DTL-28840 connector product line is part of Glenair's total commitment to meeting all your shipboard interconnect requirements. So, if a rugged, environmental M28840 solution is in your future, think Glenair—from connectors to accessories.

Product Features

- High Density, Scoop Proof Insert Arrangements
- Flange Mount, Box Mount, Jam-Nut and In-Line Receptacles
- Straight, 45° and 90° Strain Reliefs and Backshell Assemblies
- Sav-Con® Connector Savers
- MIL-DTL-28840 Qualified
- Additional Glenair Commercial Part Numbers with Features Not Available in the Mil-Spec

MIL-DTL-28840 In a Nutshell:

MIL-DTL-28840 connectors were developed for the Navy for use in shipboard applications. They are a high density, environmental, circular connector series utilizing a high shock, threaded coupling system with front release crimped contacts.



Errata: Catalog contents—including part numbers, materials and dimensions—are accurate to the best of our ability when we go to print. Even so, customers are advised to consult the factory for the latest specifications, particularly to confirm critical dimensions such as connector lengths, threads, and so on. When errors or mistakes are brought to our attention, corrected content is posted immediately to www.glenair.com.

PERFORMANCE SPECIFICATIONS

Current Rating (Maximum)	Size #20 Contact; 20AWG 7.5A, 22AWG 5.0A, 28AWG 1.5A, 30AWG 1.0A
Test Voltage (Dielectric Withstanding Voltage)	1000 VAC RMS at sea level. Test per EIA-364-20
Insulation Resistance	5000 megohms minimum (at ambient temperature) per EIA-364-21
Contact Resistance	Per SAE-AS39029
Operating Temperature	-55° C. to +200° C.
Immersion	per test method EIA-364-09
Shock	in accordance with MIL-S-901 grade A
Vibration	per EIA-364-28 test procedure
Magnetic Permeability	2.0 μ (Aluminum), 5.0 μ (Stainless Steel) maximum; ASTM-A342/A342M

MATERIALS AND FINISHES

Shells, Coupling Nuts, Jam Nuts	Aluminum alloy per ASTM B211, or stainless steel per AMS-QQ-S-763
Contacts	Copper alloy, 50 μ lnch gold plated per ASTM B488 Type 3, Code C, Class 1,27 over nickel underplate per QQ-N-290 Class 2. Socket contact hood: stainless steel, passivated.
Insulators	High Grade Engineering Plastic per ASTM D5948
Contact Retention Clip	Beryllium copper
Shells, Coupling Nuts, Jam Nut Plating Finish	Stainless Steel, Black Cadmium plated
Grommet, Seal	Blended elastomer, 30% silicone per ZZ-R-765, 70% fluorosilicone per MIL-R-25988

Contact Code	Type	Contact Spec.	Contact Size	Acceptable Wire Size	Outside Diameter of Finished Wire	
					Minimum	Maximum
F	Pin	SAE-AS39029/83-508	20-20	24	.040 (1.02)	.070 (1.78)
G	Socket	SAE-AS39029/84-509		22		
P	Pin	SAE-AS39029/83-450	20-22	26		
S	Socket	SAE-AS39029/84-452		24		
D	Pin	SAE-AS39029/83-451	20-28	22		
E	Socket	SAE-AS39029/84-453		30		
				28		

APPLICATION NOTES

- Dimensions are in inches.
- Metric equivalents (mm) are for reference only.
- To achieve sealing, wires must be built up to finished wire diameter.
- In accordance with MIL-DTL-24643 and MIL-DTL-16878.

M22520/34-01, M22520/34-02, M22520/35,
M81969/33-01, M81969/33-02, and M81969/34-01
Contact Crimping, Insertion and Removal Tools
for MIL-DTL-28840 Connectors

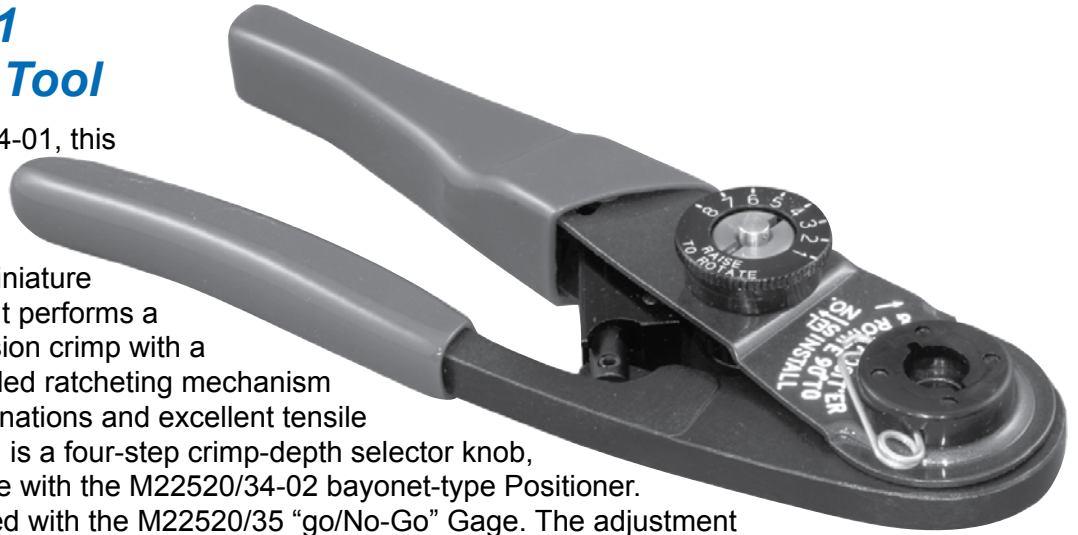
Glenair®

MIL-DTL-
28840

B

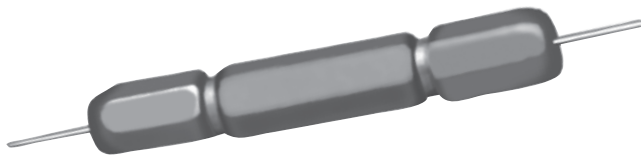
M22520/34-01 Basic Crimp Tool

Qualified to M22520/34-01, this crimp tool prevents improper crimps and overcrimping and is based on the AFM8 miniature adjustable crimp tool. It performs a modified eight impression crimp with a precision cycle controlled ratcheting mechanism for gas-tight wire terminations and excellent tensile strength. Also featured is a four-step crimp-depth selector knob, and is designed for use with the M22520/34-02 bayonet-type Positioner. Gaging is accomplished with the M22520/35 “go/No-Go” Gage. The adjustment wheel has eight settings. Check calibration with the M22520/35 gage. Length is 6.75 inches, weight is approximately 10 oz.



M22520/34-02 Positioner

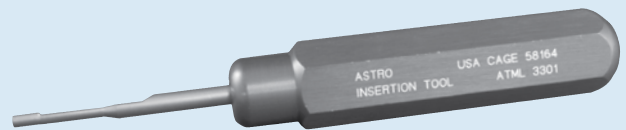
This bayonet-type positioner locates and holds contacts at the correct position for crimping with the M22520/34-01 Basic Crimp Tool. The face plate shows the correct tool settings.



M22520/35 Gage

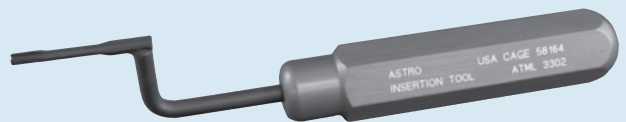
Periodic Gaging is recommended to ensure accurate calibration, and is easily accomplished by setting the tool selector knob to the proper position and checking the indenter closure with the M22520/35 “Go/No-Go” Gage. Color coded anodized aluminum with stainless steel probes.

Insertion and Removal Tools



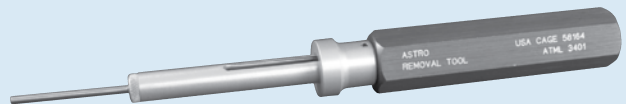
M81969/33-01 Straight Insertion Tool

The M81969/33-01 Straight Insertion Tool is approved for use on MIL-DTL-28840 connectors and features an anodized aluminum handle and stainless steel insertion tip.



M81969/33-02 Offset Insertion Tool

Approved for use on MIL-DTL-28840 connectors, the M81969/33-02 Offset Insertion Tool features an anodized aluminum handle and stainless steel offset insertion tip.



M81969/34-01 Removal Tool

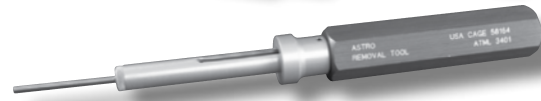
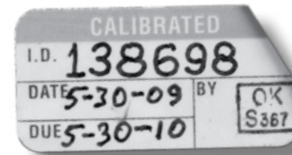
Designed and approved for removal of contacts and in MIL-DTL-28840 connectors, the M81969/34-01 Removal Tool's anodized aluminum handle and stainless steel tip will provide many years of reliable service.

Contact Insertion

1. Tools:

Be sure that all proper assembly tools are on hand and properly calibrated (Figure 1). See previous page for complete descriptions of required tools.

1



2. Stripping:

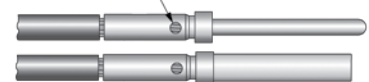
Strip wire ends to 3/16" for 20-32 AWG, taking care not to nick or cut wire strands (Figure 2). Hold insulation and twist strands to eliminate any splaying.

2



Inspection Hole

3



3. Wire Insertion:

Insert wire into crimp well of contact. **Do Not Force**. Wire strands must be visible through inspection hole (Figure 3).

4. Crimping:

Using crimp tool and positioner noted above, insert wire and contact into locator jaws. Squeeze tool handle completely until ratchet releases. Remove wired contact from tool (Figure 4).

4



5. Backshell Preparation:

Slide backshell/strain relief over jacketed cable or wires in proper order for re-assembly. Consult Glenair backshell catalog or contact factory for proper jacketed cable assembly (Figure 5).

5



6. Contact Preparation:

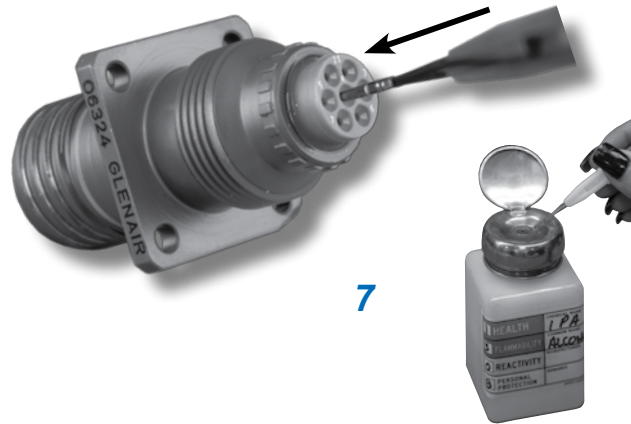
Slide wired contact into insertion tool of choice so that the tip of the tool butts against the shoulder of the contact (Figure 6).

6



7. Insertion of Contacts:

Insert wired contacts and tool into contact cavity until contact “clicks” into retention clip (Figure 7). A straight pull on the wire will assure the contact is properly seated. Note: Isopropyl alcohol may be used as a lubricant. Use sparingly.



8. Assembly:

After all contacts are inserted, assemble backshell or strain relief according to Glenair backshell catalog instructions.

Contact Extraction

1a. Contact Extraction:

Remove backshell or strain relief from connector.

2a. Contact Extraction:

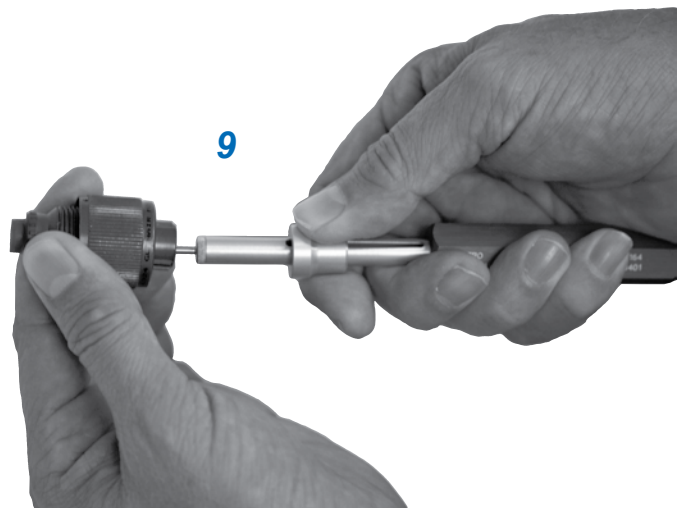
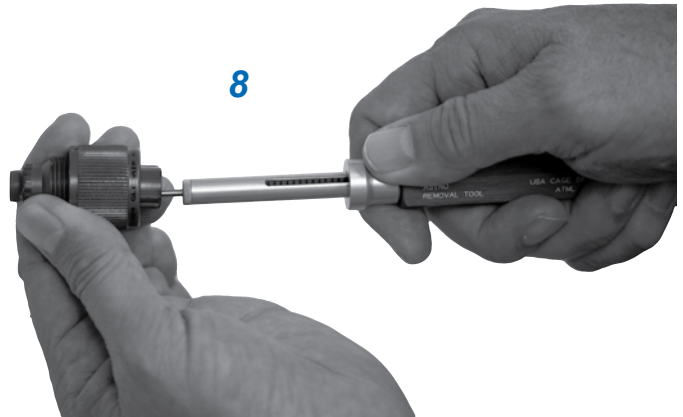
MIL-DTL-28840 connector contacts are extracted from the rear but released from the front of the connector. Using an extraction tool, slide tool tip into front of contact cavity (mating face of connector, figure 8) until tool tip engages against contact retention clip. Push plunger with minimum force to release contact (Figure 9). Note: Isopropyl alcohol may be used as a lubricant. Use sparingly.

3a. Contact Extraction:

Pull wired contact from rear grommet of connector.

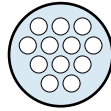
Contact Replacement:

After replacing contact, re-insert starting with assembly instruction number 7.

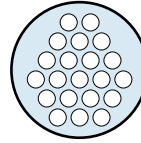




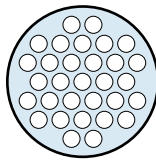
Shell Size 11
7 Contacts



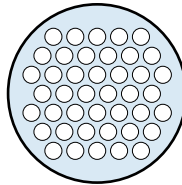
Shell Size 13
12 Contacts



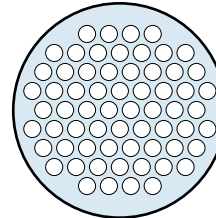
Shell Size 15
21 Contacts



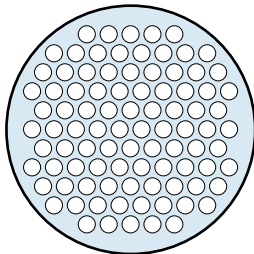
Shell Size 17
31 Contacts



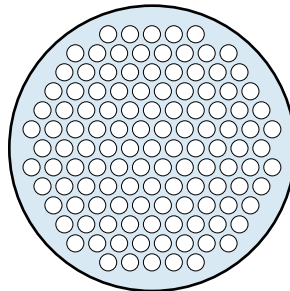
Shell Size 19
42 Contacts



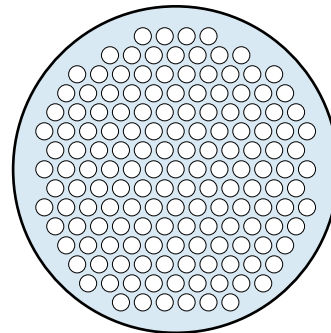
Shell Size 23
64 Contacts



Shell Size 25
92 Contacts



Shell Size 29
121 Contacts



Shell Size 33
155 Contacts

MIL-DTL-28840 Polarization Keyways



MIL-DTL-28840

B

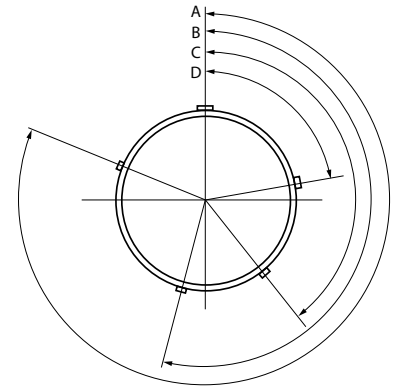
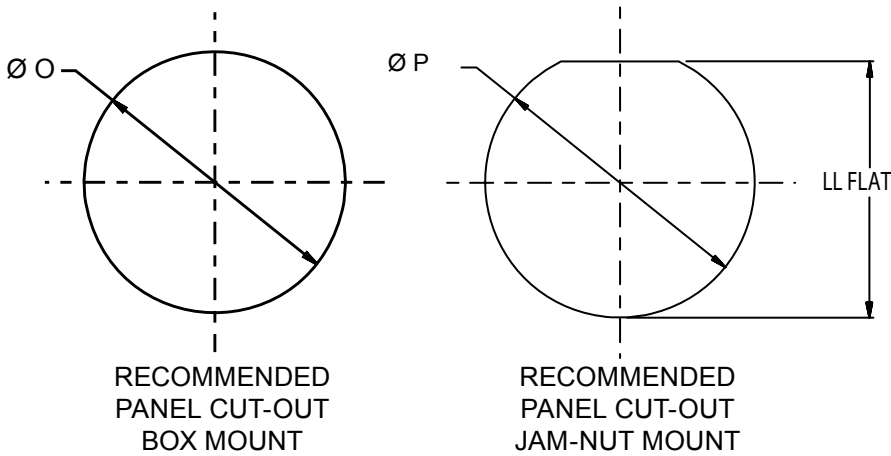
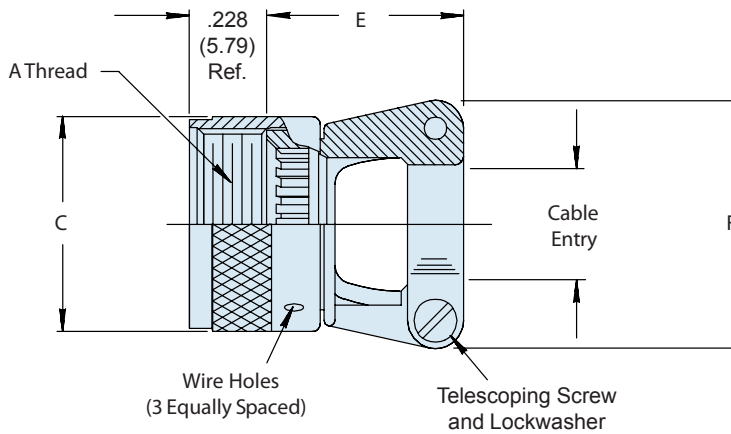
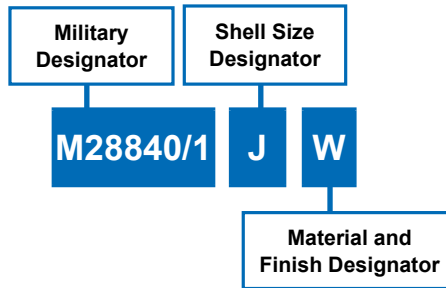


TABLE I: PANEL CUT-OUT

Designator	P Dia.	LL Flat	O Ref. Mtg. Hole
A (11)	.890 .880	.853 .843	.812
B (13)	1.015 1.005	.978 .968	.937
C (15)	1.203 1.193	1.165 1.155	1.124
D (17)	1.265 1.255	1.228 1.218	1.187
E (19)	1.453 1.443	1.415 1.405	1.374
F (23)	1.640 1.630	1.603 1.593	1.562
G (25)	1.765 1.755	1.728 1.718	1.687
H (29)	1.953 1.943	1.915 1.905	1.874
J (33)	2.140 2.130	1.103 2.093	2.062

TABLE II: ALTERNATE KEYWAYS

Designator	Key and Keyway Arrangement	AR° or AP° BSC	BR° or BP° BSC	CR° or CP° BSC	DR° or DP° BSC
A (11) B (13)	1	95	141	208	236
	2	113	156	182	292
	3	90	145	195	252
	4	53	156	220	255
	5	119	146	176	298
	6	51	141	184	242
C (15) D (17)	1	80	142	196	293
	2	135	170	200	310
	3	49	169	200	244
	4	66	140	200	257
	5	62	145	180	280
	6	79	153	197	272
E (19) F (23) G (25) H (29) J (33)	1	80	142	196	293
	2	135	170	200	310
	3	49	169	200	244
	4	66	140	200	257
	5	62	145	180	280
	6	79	153	197	272

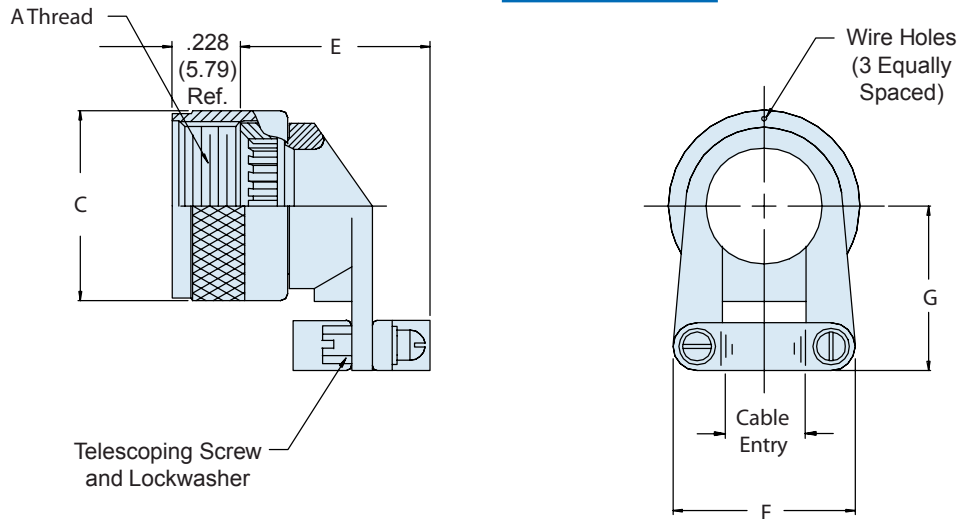
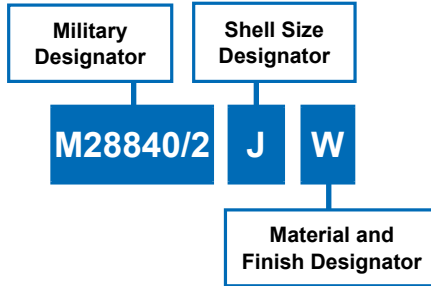


Designator	A Thread Class 2B	B Max. Diameter	C Max.	D Max.	Screw Size Ref.	Cable Entry	
						Min.	Max.
A (11)	.750-20 UNEF	1.028 (26.11)	1.091 (27.71)	.903 (22.94)	.114-40	.177 (4.50)	.286 (7.26)
B (13)	.875-20 UNEF	1.141 (28.98)	1.091 (27.71)	.977 (24.82)	.114-40	.177 (4.50)	.286 (7.26)
C (15)	1.000-20 UNEF	1.263 (32.08)	1.091 (27.71)	1.151 (29.24)	.114-40	.250 (6.35)	.416 (10.57)
D (17)	1.125-18 UNEF	1.387 (35.23)	1.206 (30.63)	1.281 (32.54)	.114-40	.291 (7.39)	.476 (12.09)
E (19)	1.250-18 UNEF	1.513 (38.43)	1.320 (33.53)	1.406 (35.71)	.114-40	.348 (8.84)	.626 (15.90)
F (23)	1.438-18 UNEF	1.703 (43.26)	1.445 (36.70)	1.576 (40.03)	.134-32	.429 (10.90)	.831 (21.11)
G (25)	1.562-18 UNEF	1.825 (46.36)	1.570 (39.88)	1.666 (42.32)	.134-32	.523 (13.28)	.956 (24.28)
H (29)	1.875-16 UN	2.143 (54.43)	1.721 (43.71)	2.046 (51.97)	.134-32	.643 (16.33)	1.081 (27.46)
J (33)	2.062-16 UNS	2.329 (59.16)	1.908 (48.46)	2.209 (56.11)	.162-32	.704 (17.88)	1.187 (30.15)

M28840/2 90° Strain Relief



MIL-DTL-
28840



B

Designator	A Thread Class 2B	B Max. Diameter	C Max.	D Max.	Screw Size Ref.	Cable Entry	
						Min.	Max.
A (11)	.750-20 UNEF	1.028 (26.11)	1.071 (27.20)	.929 (23.60)	.114-40	.177 (4.50)	.286 (7.26)
B (13)	.875-20 UNEF	1.141 (28.98)	1.071 (27.20)	.929 (23.60)	.114-40	.177 (4.50)	.286 (7.26)
C (15)	1.000-20 UNEF	1.263 (32.08)	1.280 (32.51)	1.056 (26.82)	.114-40	.250 (6.35)	.416 (10.57)
D (17)	1.125-18 UNEF	1.387 (35.23)	1.392 (35.36)	1.233 (31.32)	.114-40	.291 (7.39)	.476 (12.09)
E (19)	1.250-18 UNEF	1.513 (38.43)	1.517 (38.53)	1.296 (32.92)	.114-40	.348 (8.84)	.626 (15.90)
F (23)	1.438-18 UNEF	1.703 (43.26)	1.642 (41.71)	1.358 (34.49)	.134-32	.429 (10.90)	.831 (21.11)
G (25)	1.562-18 UNEF	1.825 (46.36)	1.767 (44.88)	1.420 (36.07)	.134-32	.523 (13.28)	.956 (24.28)
H (29)	1.875-16 UN	2.143 (54.43)	1.905 (48.39)	1.634 (41.50)	.134-32	.643 (16.33)	1.081 (27.46)
J (33)	2.062-16 UNS	2.329 (59.16)	1.968 (49.99)	1.859 (47.22)	.162-32	.704 (17.88)	1.187 (30.15)

Military Designator

Shell Size Designator

M28840/3

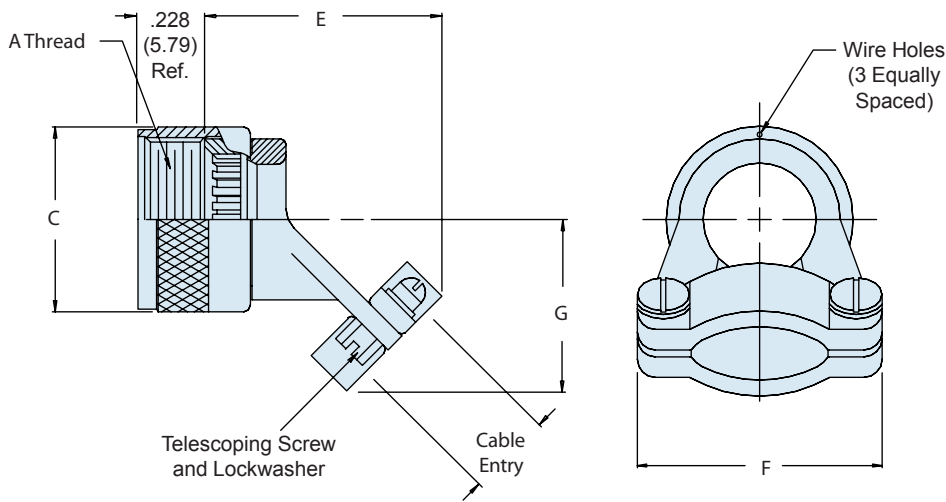
J

W

Material Type

W - Aluminum, Cadmium Plate, O.D. over Electroless Nickel

D - Corrosion Resistant Steel, Cadmium Plate, Black

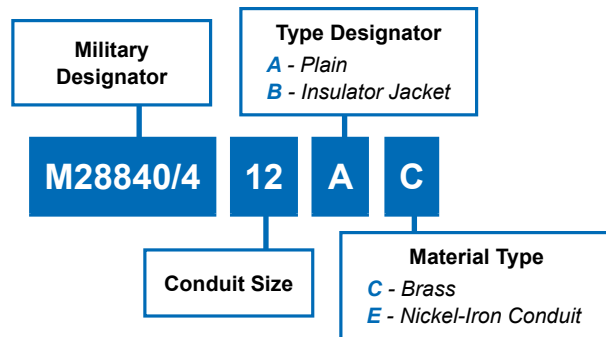


Designator	A Thread Class 2B	B Max. Diameter	C Max.	D Max.	E Max.	Screw Size Ref.	Cable Entry	
							Min.	Max.
A (11)	.750-20 UNEF	1.028 (26.11)	1.091 (27.71)	.929 (23.60)	.903 (22.94)	.114-40	.177 (4.50)	.286 (7.26)
B (13)	.875-20 UNEF	1.141 (28.98)	1.091 (27.71)	.929 (23.60)	.977 (24.82)	.114-40	.177 (4.50)	.286 (7.26)
C (15)	1.000-20 UNEF	1.263 (32.08)	1.091 (27.71)	1.056 (26.82)	1.151 (29.24)	.114-40	.250 (6.35)	.416 (10.57)
D (17)	1.125-18 UNEF	1.387 (35.23)	1.206 (30.63)	1.233 (31.32)	1.281 (32.54)	.114-40	.291 (7.39)	.476 (12.09)
E (19)	1.250-18 UNEF	1.513 (38.43)	1.320 (33.53)	1.296 (32.92)	1.406 (35.71)	.114-40	.348 (8.84)	.626 (15.90)
F (23)	1.438-18 UNEF	1.703 (43.26)	1.445 (36.70)	1.358 (34.49)	1.576 (40.03)	.134-32	.429 (10.90)	.831 (21.11)
G (25)	1.562-18 UNEF	1.825 (46.36)	1.570 (39.88)	1.420 (36.07)	1.666 (42.32)	.134-32	.523 (13.28)	.956 (24.28)
H (29)	1.875-16 UN	2.143 (54.43)	1.721 (43.71)	1.634 (41.50)	2.046 (51.97)	.134-32	.643 (16.33)	1.081 (27.46)
J (33)	2.062-16 UNS	2.329 (59.16)	1.908 (48.46)	1.859 (47.22)	2.209 (56.11)	.162-32	.704 (17.88)	1.187 (30.15)

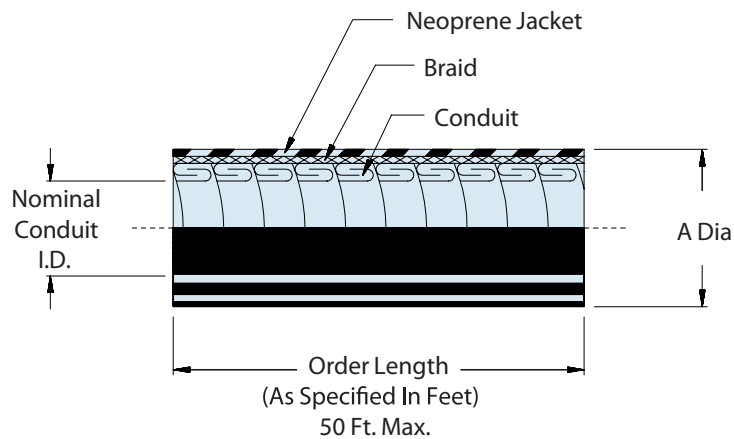
M28840/4 Metal Core Conduit



MIL-DTL-
28840

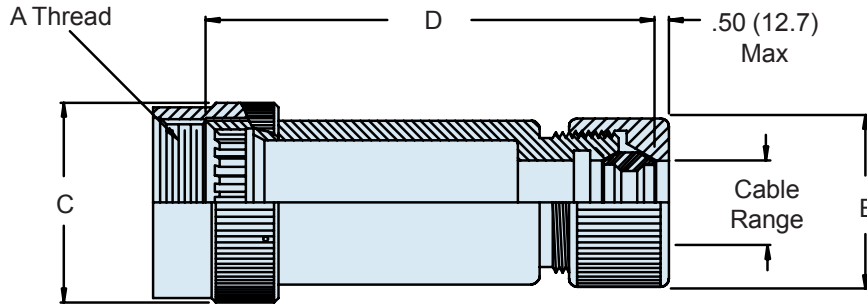
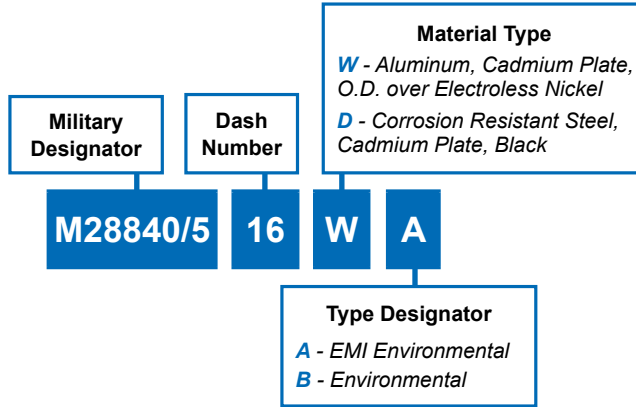


B

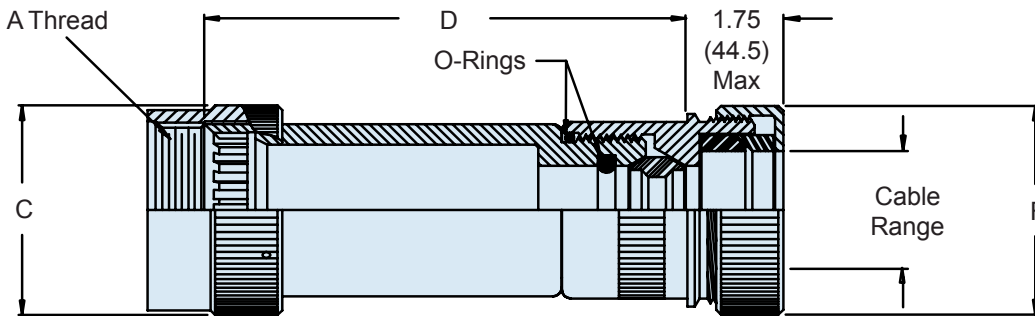


Size	Nominal Conduit Inside Diameter	A Diameter Over Shield ± .010 (0.25)	L	B Diameter Max Over Jacket
03	.375 (9.52)	.525 (13.34)	50 ft. Max.	.688 (17.47)
04	.500 (12.70)	.650 (16.51)		.812 (20.62)
05	.625 (15.87)	.765 (19.43)		.937 (23.79)
06	.750 (19.05)	.925 (23.50)		1.078 (27.38)
08	1.00 (25.40)	1.210 (30.73)		1.437 (36.49)
10	1.25 (31.75)	1.455 (36.96)		1.695 (43.05)
12	1.500 (38.10)	1.725 (43.82)		1.956 (49.68)
16	2.000 (50.80)	2.200 (55.88)		2.469 (62.71)

B



STYLE A - EMI/Non-Environmental
(Plain Conduit)



STYLE B - EMI/Environmental
(Jacket Conduit)

M28840/5
Backshell for Metal Core Conduit



MIL-DTL-
28840

B

Dash Number	Designator	Conduit Size	L ± .12 (± 3.05)	Working Room Ref.	V Thread Class 2*	M Max. Diameter	Y Max. Diameter
01	A (11)	03	1.75 (44.45)	1.00 (25.4)	1.00-20 UNEF	1.12 (28.45)	1.19 (30.23)
02	B (13)				1.188-18 UNEF	1.25 (31.8)	1.38 (35.1)
03		1.000-20 UNEF			1.12 (28.5)	1.19 (30.23)	
04	C (15)	04			1.188-30 UNEF	1.25 (31.8)	1.38 (35.1)
05		05			1.438-18 UNEF	1.43 (36.3)	1.63 (41.4)
06		06			1.750-18 UNS	1.62 (41.2)	1.94 (49.3)
07	D (17)	05	2.25 (57.15)	1.50 (38.10)	1.438-18 UNEF	1.43 (36.3)	1.63 (41.4)
08		06			1.750-18 UNS	1.62 (41.2)	1.94 (49.3)
09		08			2.00-18 UNS	1.81 (46.0)	2.19 (55.6)
10		E (19)			05	1.50 (38.10)	1.438-18 UNEF
11	06		1.750-18 UNEF	1.62 (41.2)	1.94 (49.3)		
12	08		2.00-18 UNS	1.81 (46.2)	2.19 (55.6)		
13	F (23)	06	2.75 (69.85)	2.00 (50.80)	1.750-18 UNS	1.62 (41.2)	1.94 (49.3)
14		08			2.00-18 UN	1.81 (46.0)	2.19 (55.6)
15		10			2.00-16 UN	2.18 (55.4)	2.44 (62.0)
16	G (25)	06	2.75 (60.85)	2.00 (50.80)	1.750-18 UN	1.62 (41.2)	1.94 (49.3)
17		08			2.00-18 UN	1.81 (46.0)	2.19 (55.6)
18		10			2.250-16 UN	2.18 (55.4)	2.44 (62.0)
19	H (29)	12	4.00 (101.6)	2.50 (63.50)	2.500-16 UN	2.56 (65.0)	2.69 (68.3)
20		10			2.250-16 UN	2.18 (55.4)	2.44 (62.0)
21		12			2.500-16 UN	2.56 (65.0)	2.66 (68.3)
22	J (33)	12	3.25 (82.55)	2.50 (63.50)	2.500-16 UN	2.56 (65.0)	2.60 (88.3)
23		16			3.00-16 UN	3.06 (77.8)	3.18 (81.0)
24	A (11)	04	1.75 (44.45)	1.00 (25.4)	1.188-18 UNEF	1.75 (31.75)	1.38 (35.0)

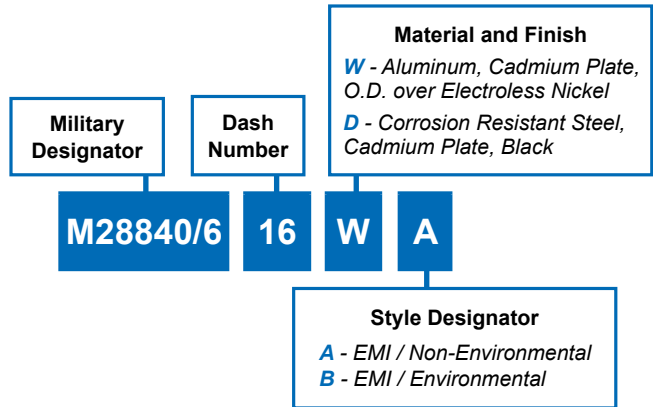
M28840/5 Backshell for Metal Core Conduit

Dash Number	Designator	A Thread Class 2B	B Diameter Max.	C Thread Class 2*	Sealing Range	
					Max.	Min.
01	A (11)	.750-20 UNEF	1.028 (26.11)	.875-20 UNEF	.63 (16.0)	.50 (12.7)
02	B (13)	.875-20 UNEF	1.141 (28.98)			
03						
04	C (15)	1.000-20 UNEF	1.263 (32.08)	.875-20 UNEF	.63 (16.0)	.50 (12.7)
05				1.000-20 UNEF	.75 (19.1)	.63 (16.0)
06				1.125-18 UNEF	.88 (22.4)	.75 (19.1)
07				1.250-18 UNEF	1.00 (25.4)	.88 (22.4)
08	D (17)	1.125-18 UNEF	1.387 (35.23)	1.125-18 UNEF	.88 (22.4)	.75 (19.1)
09				1.250-18 UNEF	1.00 (25.4)	.88 (22.4)
10				1.625-18 UNEF	1.38 (35.1)	1.19 (30.2)
11	E (19)	1.250-18 UNEF	1.513 (38.43)	1.125-18 UNEF	.88 (22.4)	.75 (19.1)
12				1.250-18 UNEF	1.00 (25.4)	.88 (22.4)
13				1.625-18 UNEF	1.38 (35.1)	1.19 (30.2)
14	F (23)	1.438-18 UNEF	1.703 (45.51)	1.250-18 UNEF	1.00 (25.4)	.88 (22.4)
15				1.625-18 UNEF	1.38 (35.1)	1.19 (30.2)
16				1.875-18 UNS	1.63 (41.4)	1.44 (36.6)
17	G (25)	1.562-18 UNEF	1.825 (46.35)	1.250-18 UNEF	1.00 (25.4)	.88 (22.4)
18				1.625-18 UNEF	1.38 (35.1)	1.19 (30.2)
19				1.875-18 UNS	1.63 (41.4)	1.44 (36.6)
20				2.125-16 UN	1.88 (47.8)	1.63 (41.4)
21	H (29)	1.875-16 UN	2.143 (54.43)	1.875-18 UNS	1.63 (41.4)	1.44 (36.6)
22				2.125-16 UN	1.88 (47.8)	1.63 (41.4)
23	J (33)	2.062-16 UNS	2.329 (59.16)	2.1225-16 UN	1.88 (47.8)	1.63 (41.4)
24				2.750-16 UN	2.38 (60.5)	2.13 (54.1)
25	A (11)	.750-20 UNEF	1.028 (26.11)	.875-20 UNEF	.75 (19.05)	.63 (16.00)

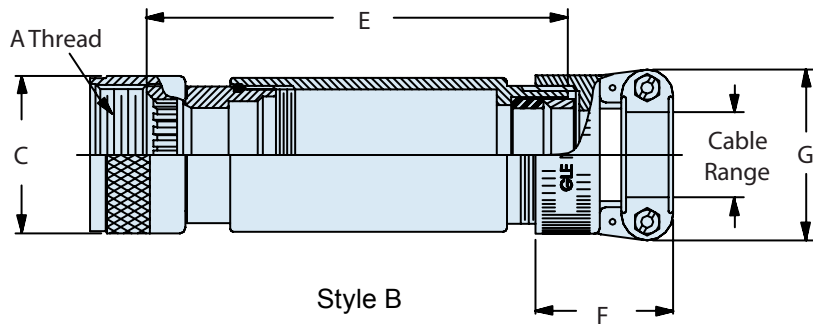
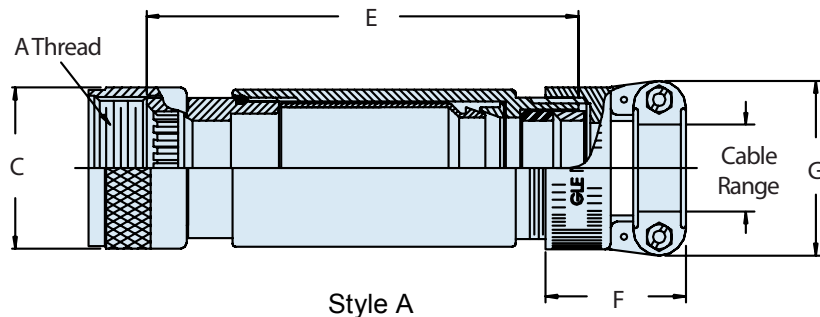
M28840/6
EMI/RFI Environmental Backshell



MIL-DTL-
28840



B



Dash Number	Designator	A Thread Class 2B	B Diameter Max.	C Diameter Max.	D Diameter Min.	Cable Range	
						Max.	Min.
01	A (11)	.750-20 UNEF	1.028 (26.11)	1.156 (29.36)	.750 (19.05)	.312 (7.92)	.188 (4.77)
02	B (13)	.875-20 UNEF	1.141 (28.98)	1.156 (29.36)	.750 (19.05)	.312 (7.92)	.188 (4.77)
03						.438 (11.12)	.281 (7.14)
04	C (15)	1.000-20 UNEF	1.263 (32.08)	1.281 (32.54)	.875 (22.23)	.312 (7.92)	.188 (4.77)
05						.438 (11.12)	.281 (7.14)
06						.562 (14.27)	.344 (8.74)
07						.750 (19.05)	.438 (11.12)
08	D (17)	1.125-18 UNEF	1.387 (35.23)	1.406 (35.71)	1.000 (25.40)	.625 (15.87)	.375 (9.52)
09						.750 (19.05)	.375 (9.52)
10						.938 (23.82)	.438 (11.12)
11	E (19)	1.250-18 UNEF	1.513 (38.43)	1.531 (38.89)	1.125 (28.58)	.625 (15.87)	.438 (11.12)
12						.938 (23.82)	.625 (15.87)
13						.750 (19.05)	.375 (9.52)
14	F (23)	1.438-18 UNEF	1.703 (45.51)	1.656 (42.06)	1.250 (31.75)	.938 (23.82)	.625 (15.87)
15						1.188 (30.17)	.625 (15.87)
16						.938 (23.82)	.812 (20.62)
17						1.188 (30.17)	.875 (22.23)
18	G (25)	1.562-18 UNEF	1.825 (46.35)	1.781 (45.24)	1.375 (34.93)	1.250 (31.75)	1.19 (30.2)
19						1.380 (35.05)	1.000 (25.4)
20						1.188 (30.17)	1.63 (41.4)
21	H (29)	1.875-16 UN	2.143 (54.43)	2.156 (54.76)	1.750 (44.45)	1.380 (38.05)	1.44 (36.6)
22						1.380 (38.05)	1.63 (41.4)
23	J (33)	2.062-16 UNS	2.329 (59.16)	2.281 (57.94)	1.875 (47.63)	1.625 (41.28)	1.53 (41.4)
24						.438 (11.12)	2.13 (54.1)
25						A (11)	.750-20 UNEF
26	B (13)	.875-30 UNEF	1.141 (28.98)	1.281 (32.54)	.875 (22.22)	.562 (14.27)	.344 (8.74)
27						.625 (15.87)	.375 (9.52)
28	C (15)	1.000-20 UNEF	1.263 (32.08)	1.406 (35.71)	1.000 (25.4)		

M28840/6
EMI/RFI Environmental Backshell

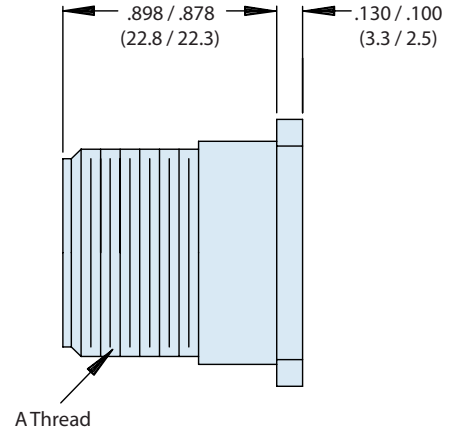
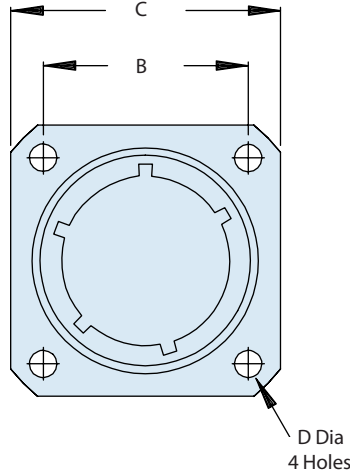
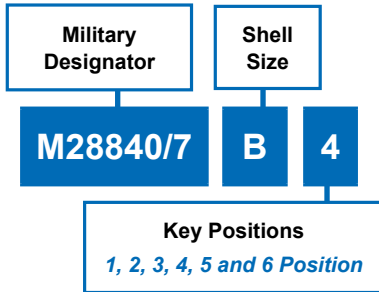


MIL-DTL-
28840

B

Dash Number	Designator 1/	L ± .12 (± 3.05)	Working Room Ref.	V Thread Class 2*	X Max. Diameter	Y Max. Diameter	
01	A (11)	3.62 (91.55)	2.00 (50.80)	.625-24 UNEF	1.281 (32.54)	.038 (23.82)	
02	B (13)			.625-24 UNEF		1.125 (23.82)	
03				.750-20 UNEF		.938 (23.82)	
04	C (15)			.625-24 UNEF			
05				.750-20 UNEF			1.125 (28.57)
06				.875-20 UNEF			1.312 (33.32)
07	D (17)	4.12 (104.65)	2.50 (63.50)	1.188-18 UNEF	1.312 (33.32)	1.593 (40.62)	
08				1.000-20 UNEF	1.281 (32.54)	1.312 (33.32)	
09				1.188-19 UNEF	1.312 (33.32)	1.593 (40.62)	
10				1.438-18 UNEF	1.406 (35.71)	1.750 (44.45)	
11				E (19)	1.000-20 UNEF	1.281 (32.54)	1.312 (33.32)
12					1.438-18 UNEF	1.406 (35.71)	1.750 (44.45)
13	F (23)	4.62 (117.35)	3.00 (76.20)	1.188-18 UNEF	1.312 (33.32)	1.593 (40.62)	
14				1.438-18 UNEF	1.406 (35.71)	1.750 (44.45)	
15				1.750-18 UNS	1.593 (40.46)	2.003 (53.16)	
16				1.438-18 UNEF	1.406 (35.71)	1.750 (44.45)	
17	G (25)	5.12 (130.05)	3.50 (88.90)	1.750-18 UNS	1.593 (40.46)	2.093 (53.16)	
18				1.750-18 UNS		2.093 (53.16)	
19				2.000-18 UNS	1.625 (41.28)	2.343 (59.51)	
20				1.750-18 UNS	1.593 (40.46)	2.093 (53.16)	
21				H (29)	2.000-18 UNS	1.625 (41.28)	2.343 (59.51)
22					2.000-18 UNS		
23	J (33)	5.12 (130.05)	3.50 (88.90)	2.250-16 UNS	1.900 (48.26)	2.750 (69.85)	
24				.750-20 UNEF	1.281 (32.54)	1.125 (28.57)	
25	A (11)	3.62 (91.95)	2.00 (50.80)	.875-20 UNEF		1.312 (33.32)	
26	B (13)						

B

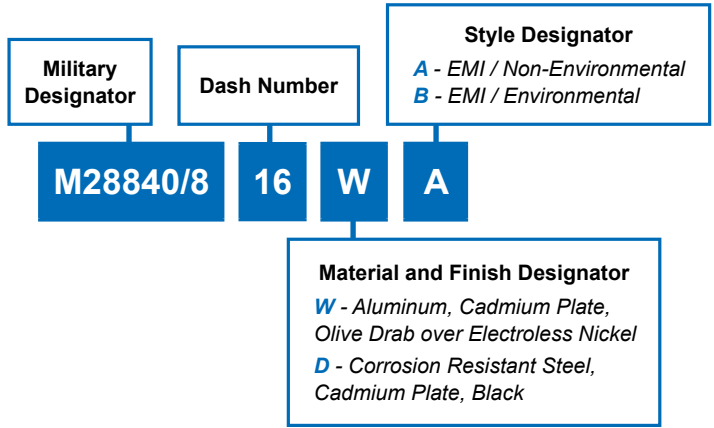


Designator	N Diameter Max.	O Reference Mating Hole	R T.P. Centerline to Centerline	S	T
A (11)	.750 (19.05)	.812 (20.62)	.750 (19.05)	1.043 (26.49) 1.003 (25.48)	.130 (3.30) .115 (2.92)
B (13)	.875 (22.22)	.937 (23.80)	.843 (21.41)	1.158 (29.41) 1.118 (28.40)	
C (15)	1.062 (26.97)	1.124 (28.55)	.968 (24.59)	1.278 (32.46) 1.238 (31.45)	
D (17)	1.125 (28.58)	1.187 (30.15)	1.015 (25.78)	1.403 (35.64) 1.363 (34.62)	
E (19)	1.312 (33.32)	1.374 (34.90)	1.140 (28.96)	1.528 (38.81) 1.488 (37.80)	
F (23)	1.500 (38.10)	1.562 (39.67)	1.281 (32.54)	1.738 (44.15) 1.698 (43.13)	
G (25)	1.625 (41.28)	1.687 (42.85)	1.392 (35.36)	1.838 (46.69) 1.798 (45.67)	.157 (3.99) .142 (3.61)
H (29)	1.812 (46.02)	1.874 (47.60)	1.568 (39.83)	2.158 (54.81) 2.118 (53.80)	
J (33)	2.000 (50.80)	2.062 (52.37)	1.734 (44.04)	2.348 (59.64) 2.308 (58.62)	

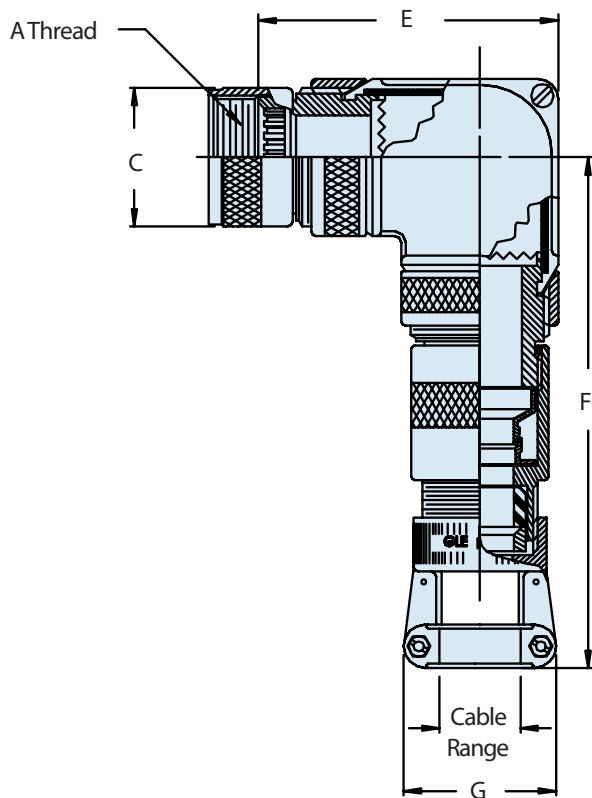
M28840/8
90° EMI/RFI Environmental Backshell



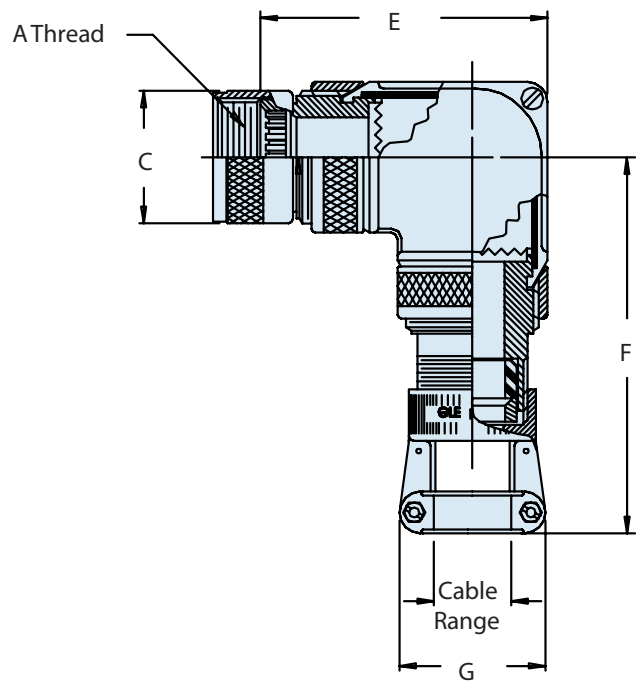
MIL-DTL-
28840



B



BACKSHELL STYLE A



BACKSHELL STYLE B

Backshell Size	Dash Number	Designator	A Thread Class 2B	B Max. Diameter	C Max. Diameter	D Max. Diameter
A	01	A (11)	.750-20 UNEF	1.028 (26.11)	1.188 (30.17)	1.031 (26.19)
A	02	B (13)	.875-20 UNEF	1.141 (28.98)		
B	03	B (13)				
A	04	C (15)	1.00-20 UNEF	1.263 (32.08)	1.438 (36.52)	1.156 (29.36)
B	05	C (15)				
C	06	C (15)				
D	07	C (15)				
A	08	D (17)	1.125-18 UNEF	1.387 (35.23)	1.688 (42.87)	1.281 (32.54)
B	09	D (17)				
C	10	D (17)				
A	11	E (19)	1.250-18 UNEF	1.513 (38.43)		
B	12	E (19)				
A	13	F (23)	1.438-18 UNEF	1.703 (43.51)	1.938 (49.22)	1.406 (35.71)
B	14	F (23)				
C	15	F (23)				
A	16	G (25)	1.562-18 UNEF	1.825 (46.35)	2.188 (54.43)	1.531 (38.89)
B	17	G (25)				
C	18	G (25)				
D	19	G (25)				
A	20	H (29)	1.875-16 UN	2.143 (54.43)		
B	21	H (29)				

M28840/8
90° EMI/RFI Environmental Backshell



MIL-DTL-
28840

B

Backshell Size	Dash Number	Designator	Cable Range		E Max. Dim.	F Max. Dim.	V Thread Class 2
			Max.	Min.			
A	01	A (11)	.312 (7.92)	.188 (4.77)	1.156 (29.36)	2.614 (66.40)	.625-24 UNEF
A	02	B (13)	.312 (7.92)	.188 (4.77)			.625-24 UNEF
B	03	B (13)	.438 (11.12)	.281 (7.14)			.750-20 UNEF
A	04	C (15)	.312 (7.92)	.188 (4.77)	1.281 (32.54)	2.864 (72.75)	.625-24 UNEF
B	05	C (15)	.438 (11.12)	.281 (7.14)			.750-20 UNEF
C	06	C (15)	.562 (14.27)	.344 (8.74)			.875-20 UNEF
D	07	C (15)	.750 (19.05)	.438 (11.12)	1.406 (35.71)	3.114 (79.10)	1.188-18 UNEF
A	08	D (17)	.625 (15.87)	.375 (9.82)			1.000-20 UNEF
B	09	D (17)	.750 (19.05)	.438 (11.12)			1.188-18 UNEF
C	10	D (17)	.938 (23.82)	.625 (15.87)	1.531 (38.89)	3.364 (85.45)	1.438-18 UNEF
A	11	E (19)	.625 (15.87)	.375 (9.52)	1.406 (35.71)		1.00-20 UNEF
B	12	E (19)	.938 (23.82)	.625 (15.87)	1.531 (38.89)		1.438-18 UNEF
A	13	F (23)	.750 (19.05)	.438 (11.12)	1.406 (25.71)	3.614 (91.80)	1.188-18 UNEF
B	14	F (23)	.938 (23.82)	.625 (15.87)	1.531 (38.89)		1.438-18 UNEF
C	15	F (23)	1.188 (30.17)	.812 (20.62)	1.781 (45.24)		1.750-18 UNEF
A	16	G (25)	.938 (23.82)	.625 (15.87)	1.531 (38.89)	1.781 (45.24)	1.438-18 UNEF
B	17	G (25)	1.188 (30.17)	.812 (20.62)	1.750-18 UNS		
C	18	G (25)	1.250 (31.75)	.875 (22.23)	2.000-16 UNS		
D	19	G (25)	1.380 (35.05)	1.000 (25.40)	2.156 (54.76)	1.781 (45.24)	1.750-18 UNS
A	20	H (29)	1.188 (30.17)	.812 (20.62)	2.000-18 UNS		
B	21	H (29)	1.380 (35.05)	1.000 (25.40)	2.156 (54.76)		

Backshell Size	Dash Number	Designator	X Ref. Dimension	Y Ref. Dimension	H Max. Style A	N Max. Style B
A	01	A (11)	1.281 (32.54)	.938 (23.82)	5.332 (134.43)	2.962 (75.23)
A	02	B (13)		.938 (23.82)	5.332 (134.43)	2.962 (75.23)
B	03	B (13)		1.125 (28.57)	5.332 (134.43)	2.962 (75.23)
A	04	C (15)		.938 (23.82)	5.457 (138.61)	3.087 (78.41)
B	05	C (15)		1.125 (28.57)	5.457 (138.61)	3.087 (78.41)
C	06	C (15)		1.312 (33.32)	5.457 (138.61)	3.087 (78.41)
D	07	C (15)		1.593 (40.62)	5.682 (144.32)	3.312 (84.12)
A	08	D (17)		1.312 (33.32)	5.682 (144.32)	3.312 (84.12)
B	09	D (17)	1.312 (33.32)	1.593 (40.62)	5.713 (145.11)	3.343 (84.91)
C	10	D (17)	1.406 (35.71)	1.750 (44.45)	5.807 (147.50)	3.437 (87.30)
A	11	E (19)	1.281 (32.54)	1.312 (33.32)	5.682 (144.32)	3.312 (84.12)
B	12	E (19)	1.406 (35.71)	1.750 (44.45)	5.832 (148.13)	3.462 (87.93)
A	13	F (23)	1.312 (33.32)	1.593 (40.62)	5.738 (145.28)	3.368 (85.55)
B	14	F (23)	1.406 (35.71)	1.750 (44.45)	5.832 (148.13)	3.462 (87.93)
C	15	F (23)	1.593 (40.46)	2.093 (53.16)	6.019 (152.88)	3.649 (92.68)
A	16	G (25)	1.406 (35.71)	1.750 (44.45)	5.832 (148.13)	3.462 (87.93)
B	17	G (25)	1.593 (40.46)	2.093 (53.16)	6.019 (152.88)	3.649 (92.68)
C	18	G (25)	1.593 (40.46)	2.093 (53.16)	6.144 (156.06)	3.774 (95.86)
D	19	G (25)	1.625 (41.28)	2.343 (59.51)	6.176 (156.87)	3.806 (96.62)
A	20	H (29)	1.593 (40.46)	2.093 (53.16)	6.144 (156.06)	3.774 (95.86)
B	21	H (29)	1.625 (41.28)	2.343 (59.51)	6.176 (156.87)	3.806 (96.62)

M28840/8
90° EMI/RFI Environmental Backshell



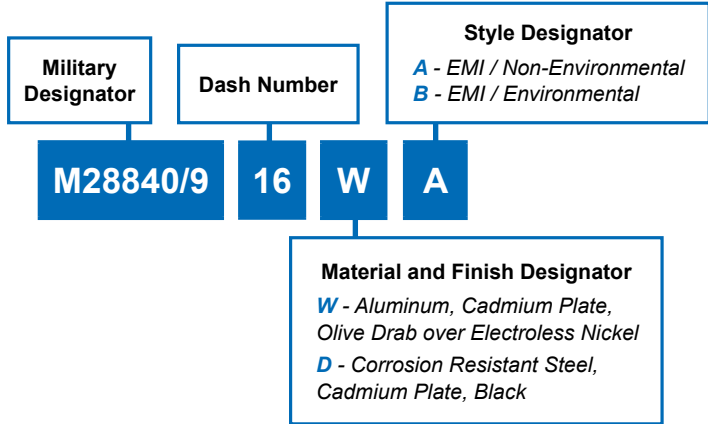
MIL-DTL-
28840

B

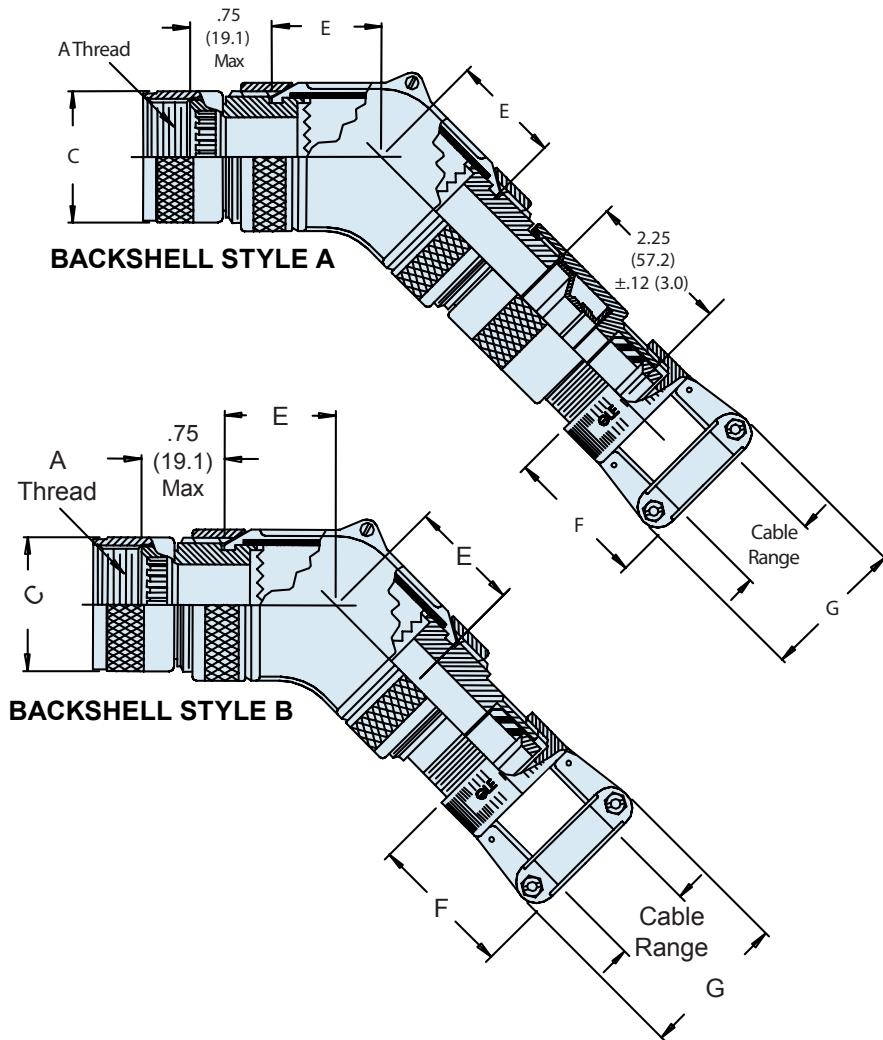
Backshell Size	Dash Number	Designator	A Thread Class 2B	B Max. Diameter	C Max. Diameter	D Max. Diameter
A	22	J (33)	2.062-16 UNS	2.329 (59.16)	2.688 (68.26)	1.781 (45.24)
A	23	J (33)				
B	24	A (11)	.750-20 UNEF	1.028 (26.11)	1.188 (30.17)	1.031 (26.19)
C	25	A (11)			1.438 (36.52)	1.156 (29.36)
C	26	B (13)	.875-20 UNEF	1.141 (28.98)	1.688 (42.87)	1.281 (32.54)
D	27	B (13)				
E	28	C (15)	1.000-20 UNEF	1.263 (32.08)		

Backshell Size	Dash Number	Designator	Cable Range		E Max. Dimensions	F Max. Dimensions	V Thread Class 2
			Max.	Min.			
A	22	J (33)	1.380 (35.05)	1.000 (25.40)	2.281 (57.94)	4.114 (104.50)	2.000-18 UNS
A	23	J (33)	1.625 (41.26)	1.250 (31.75)			2.250-16 UNS
B	24	A (11)	.438 (11.12)	.281 (7.14)	1.156 (29.36)	2.614 (66.40)	.750-20 UNEF
C	25	A (11)	.562 (14.27)	.344 (8.74)	1.281 (32.54)	2.864 (72.75)	.875-20 UNEF
C	26	B (13)	.562 (14.27)	.344 (8.74)			
D	27	B (13)	.625 (15.87)	.375 (9.52)	1.406 (35.71)	3.114 (79.10)	1.000-20 UNEF
E	28	C (15)	.625 (15.87)	.375 (9.50)			

Backshell Size	Dash Number	Designator	X Ref. Dimensions	Y Ref. Dimensions	H Max. Style A	N Max. Style B
A	22	J (33)	1.625 (41.28)	2.343 (59.51)	6.426 (163.22)	4.056 (103.02)
A	23	J (33)	1.900 (48.26)	2.750 (59.85)	6.701 (170.21)	4.33 (110.01)
B	24	A (11)	1.281 (32.54)	1.125 (28.57)	5.332 (135.43)	2.962 (75.23)
C	25	A (11)		1.312 (33.32)	5.457 (138.61)	3.087 (78.41)
C	26	B (13)			5.457 (138.61)	3.087 (78.41)
C	27	B (13)			5.682 (144.32)	3.312 (84.12)
B	28	C (15)			5.682 (144.32)	3.312 (84.12)



B



M28840/9
45° EMI/RFI Environmental Backshell



MIL-DTL-
28840

B

Backshell Size	Dash Number	Designator	A Thread	B Max. Diameter	C Max. Diameter	D Max.
A	01	A (11)	.750-20 UNEF	1.028 (26.11)	1.031 (26.19)	1.031 (26.19)
A	02	B (13)	.875-20 UNEF	1.141 (28.98)		
B	03	B (13)				
A	04	C (15)	1.00-20 UNEF	1.263 (32.08)	1.281 (32.54)	1.156 (29.36)
B	05	C (15)				
C	06	C (15)				
D	07	C (15)				
A	08	D (17)	1.125-18 UNEF	1.387 (35.23)	1.513 (38.89)	1.281 (32.54)
B	09	D (17)				
C	10	D (17)				
A	11	E (19)	1.250-18 UNEF	1.513 (38.43)	1.781 (45.24)	1.406 (35.71)
B	12	E (19)				
A	13	F (23)	1.438-18 UNEF	1.703 (43.51)		
B	14	F (23)				
C	15	F (23)				
A	16	G (25)	1.562-18 UNEF	1.825 (46.35)	2.031 (51.59)	1.531 (38.89)
B	17	G (25)				
C	18	G (25)				
D	19	G (25)				
A	20	H (29)	1.875-16 UN	2.143 (54.43)		
B	21	H (29)				

Backshell Size	Dash Number	Designator	Cable Range		E Max. Dim.	F Max. Style A	H Max. Style B
			Max.	Min.			
A	01	A (11)	.312 (7.92)	.188 (4.77)	1.156 (29.36)	5.879 (149.33)	4.199 (106.65)
A	02	B (13)	.312 (7.92)	.188 (4.77)		5.879 (149.33)	4.199 (106.65)
B	03	B (13)	.438 (11.12)	.281 (7.14)		5.932 (150.67)	4.252 (108.00)
A	04	C (15)	.312 (7.92)	.188 (4.77)	1.281 (32.54)	6.092 (154.74)	4.412 (112.06)
B	05	C (15)	.438 (11.12)	.281 (7.14)		6.146 (156.11)	4.466 (113.44)
C	06	C (15)	.562 (14.27)	.344 (8.74)		6.202 (157.53)	4.522 (114.86)
D	07	C (15)	.750 (19.05)	.438 (11.12)	1.406 (35.71)	6.533 (165.94)	4.853 (123.27)
A	08	D (17)	.625 (15.87)	.375 (9.82)		6.413 (162.89)	4.733 (120.22)
B	09	D (17)	.750 (19.05)	.438 (11.12)		6.533 (165.94)	4.853 (123.27)
C	10	D (17)	.938 (23.82)	.625 (15.87)	1.531 (38.89)	6.636 (168.55)	4.956 (125.88)
A	11	E (19)	.625 (15.87)	.375 (9.52)	1.406 (35.71)	6.413 (162.89)	4.733 (120.22)
B	12	E (19)	.938 (23.82)	.625 (15.87)	1.531 (38.89)	6.846 (173.89)	5.166 (131.22)
A	13	F (23)	.750 (19.05)	.438 (11.12)	1.406 (25.71)	6.747 (171.37)	5.067 (128.70)
B	14	F (23)	.938 (23.82)	.625 (15.87)	1.531 (38.89)	6.846 (173.89)	5.166 (131.22)
C	15	F (23)	1.188 (30.17)	.812 (20.62)	1.781 (45.24)	7.103 (180.42)	5.423 (138.23)
A	16	G (25)	.938 (23.82)	.625 (15.87)	1.781 (45.24)	6.846 (173.89)	5.156 (130.96)
B	17	G (25)	1.188 (30.17)	.812 (20.62)		7.103 (180.42)	5.4239 (138.23)
C	18	G (25)	1.250 (31.75)	.875 (22.23)		7.316 (185.83)	5.636 (143.15)
D	19	G (25)	1.380 (35.05)	1.000 (25.40)	2.156 (54.76)	7.425 (188.60)	5.745 (145.92)
A	20	H (29)	1.188 (30.17)	.812 (20.62)	1.781 (45.24)	7.316 (185.83)	5.636 (143.15)
B	21	H (29)	1.380 (35.05)	1.000 (25.40)	2.156 (54.76)	7.425 (188.60)	5.745 (145.92)

M28840/9
45° EMI/RFI Environmental Backshell



MIL-DTL-
28840

Backshell Size	Dash Number	Designator	V Thread Class	X Ref. Dimension	Y Ref. Dimension
A	01	A (11)	.625-24 UNEF	1.281 (32.54)	.938 (23.82)
A	02	B (13)	.625-24 UNEF		.938 (23.82)
B	03	B (13)	.750-20 UNEF		1.125 (28.57)
A	04	C (15)	.625-24 UNEF		.938 (23.82)
B	05	C (15)	.750-20 UNEF		1.125 (28.57)
C	06	C (15)	.875-20 UNEF		1.312 (33.32)
D	07	C (15)	1.188-18 UNEF	1.312 (33.32)	1.593 (40.62)
A	08	D (17)	1.000-20 UNEF	1.281 (32.54)	1.312 (33.32)
B	09	D (17)	1.188-18 UNEF	1.312 (33.32)	1.593 (40.62)
C	10	D (17)	1.438-18 UNEF	1.406 (35.71)	1.750 (44.45)
A	11	E (19)	1.000-20 UNEF	1.281 (32.54)	1.312 (33.32)
B	12	E (19)	1.438-18 UNEF	1.406 (35.71)	1.750 (44.45)
A	13	F (23)	1.188-18 UNEF	1.312 (33.32)	1.593 (40.62)
B	14	F (23)	1.438-18 UNEF	1.406 (35.71)	1.750 (44.45)
C	15	F (23)	1.750-18 UNS	1.593 (40.46)	2.093 (53.16)
A	16	G (25)	1.438-18 UNEF	1.406 (35.71)	1.750 (44.45)
B	17	G (25)	1.750-18 UNS	1.593 (40.46)	2.093 (53.16)
C	18	G (25)	1.750-18 UNS	1.593 (40.46)	2.093 (53.16)
D	19	G (25)	2.000-16 UNS	1.625 (41.28)	2.343 (59.51)
A	20	H (29)	1.750-18 UNS	1.593 (40.46)	2.093 (53.16)
B	21	H (29)	2.000-18 UNS	1.625 (41.28)	2.343 (59.51)

B

M28840/9 45° EMI/RFI Environmental Backshell

Backshell Size	Dash Number	Designator	A Thread	B Max. Diameter	C Max. Diameter	D Max.
A	22	J (33)	2.062-16 UNEF	2.329 (59.16)	2.531 (64.29)	1.781 (45.24)
B	23	J (33)				
B	24	A (11)	.750-20 UNEF	1.028 (26.11)	1.031 (26.19)	1.031 (26.19)
C	25	A (11)			1.281 (32.54)	1.156 (29.36)
C	26	B (13)	.875-20 UNEF	1.141 (28.98)	1.281 (32.54)	1.156 (29.36)
D	27	B (13)			1.531 (38.99)	1.281 (32.54)
E	28	C (15)	1.000-20 UNEF	1.263 (32.08)		

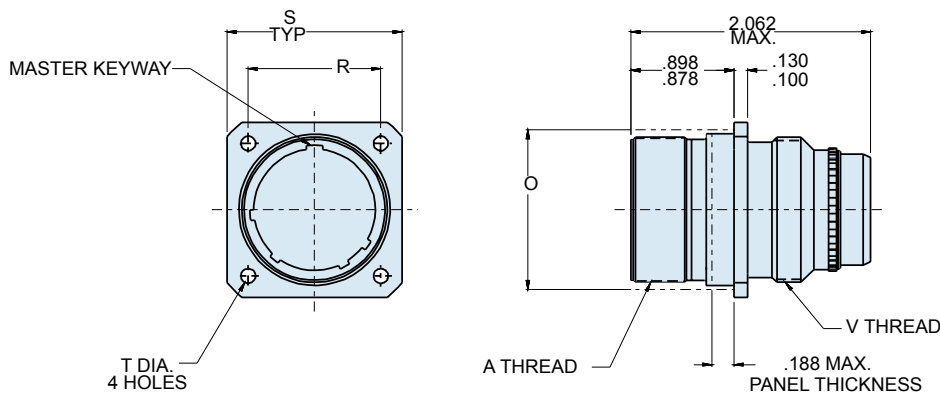
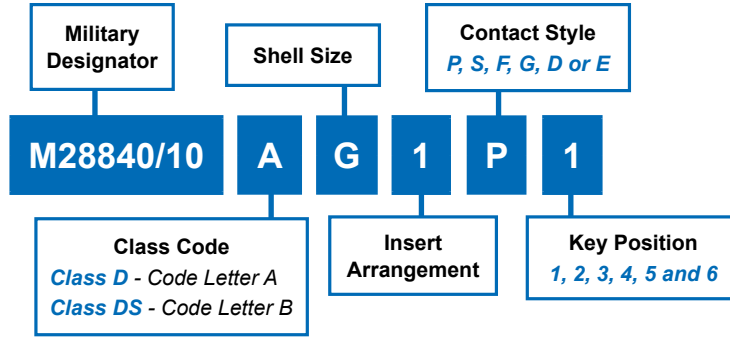
Backshell Size	Dash Number	Designator	Cable Range		E Max. Dimension	F Max. Style A	H Max. Style B
			Max.	Min.			
A	22	J (33)	1.380 (35.05)	1.000 (25.40)	2.281 (57.94)	7.852 (199.44)	6.127 (156.77)
B	23	J (33)	1.625 (41.28)	1.250 (31.75)		6.454 (163.93)	6.454 (163.93)
B	24	A (11)	.438 (11.12)	.281 (7.14)	1.156 (29.36)	5.932 (150.67)	4.252 (108.00)
C	25	A (11)	.562 (14.27)	.344 (8.74)	1.281 (32.54)	6.202 (157.53)	4.522 (114.86)
C	26	B (13)	.562 (14.27)	.344 (8.74)	1.281 (32.54)	6.202 (157.53)	4.522 (114.86)
D	27	B (13)	.625 (15.87)	.375 (9.52)	1.406	6.413 (162.89)	4.733 (120.22)
E	28	C (15)	.625 (15.87)	.375 (9.50)		6.413 (162.89)	4.733 (120.22)

Backshell Size	Dash Number	Designator	V Thread Class	X Ref. Dimension	Y Ref. Dimension
A	22	J (33)	2.000-18 UNS	1.625 (41.28)	2.343 (59.51)
B	23	J (33)	2.250-16 UNS	1.900 (48.26)	2.750 (69.85)
B	24	A (11)	.750-20 UNEF	1.281 (32.54)	1.125 (28.57)
C	25	A (11)	.875-20 UNEF		1.312 (33.32)
C	26	B (13)	.875-20 UNEF		
D	27	B (13)	1.000-20 UNEF		
E	28	C (15)	1.000-20 UNEF		

M28840/10 Wall Mount Receptacle Connector



MIL-DTL-
28840

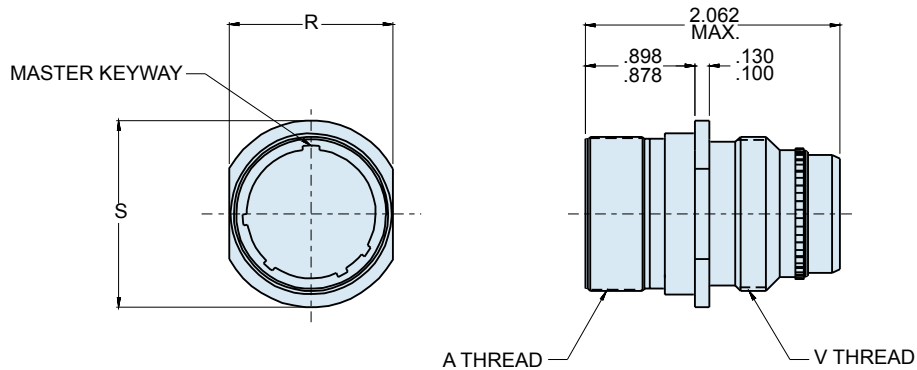
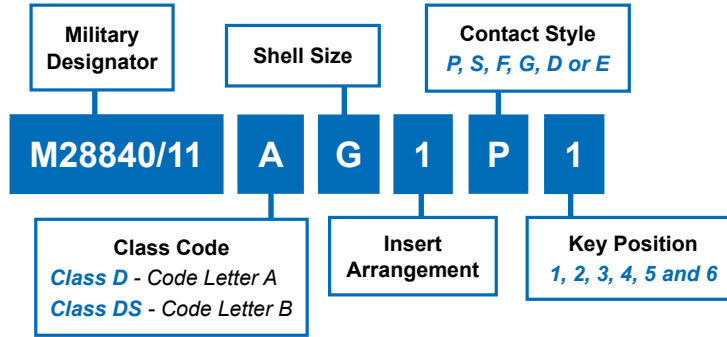


Military Shell Size	Shell Size	A Thread Class 2A	V Thread Class 2A	Ø Ref. Mtg. Hole	R True Position \varnothing to \varnothing	S	T Diameter
A	11	.750-.1P-.2L-D.S.	.750-20 UNEF	.812 (20.62)	.750 (19.05)	1.043 (26.49) 1.003 (25.48)	.130 (3.30) .115 (2.92)
B	13	.875-.1P-.2L-D.S.	.875-20 UNEF	.937 (23.80)	.743 (21.41)	1.158 (29.41) 1.118 (28.40)	
C	15	1.062-.1P-.2L-D.S.	1.000-20 UNEF	1.124 (28.55)	.968 (24.59)	1.278 (32.46) 1.238 (31.45)	
D	17	1.125-.1P-.2L-D.S.	1.125-18 UNEF	1.187 (30.15)	1.015 (25.78)	1.403 (35.64) 1.363 (34.62)	
E	19	1.312-.1P-.2L-D.S.	1.250-18 UNEF	1.374 (34.90)	1.140 (28.96)	1.528 (38.81) 1.488 (37.80)	
F	23	1.500-.1P-.2L-D.S.	1.437-18 UNEF	1.562 (39.67)	1.281 (32.54)	1.738 (44.15) 1.698 (43.13)	
G	25	1.625-.1P-.2L-D.S.	1.562-18 UNEF	1.687 (42.85)	1.392 (35.36)	1.838 (46.69) 1.798 (45.67)	.157 (3.99) .142 (3.61)
H	29	1.812-.1P-.2L-D.S.	1.875-16 UN	1.874 (47.60)	1.568 (39.83)	2.158 (54.81) 2.118 (53.80)	
J	33	2.000-.1P-.2L-D.S.	2.062-16 UNS	2.062 (52.37)	1.734 (44.04)	2.348 (59.64) 2.308 (58.62)	.183 (4.65) .168 (4.27)

B

M28840/11 In-Line Receptacle Connector

B

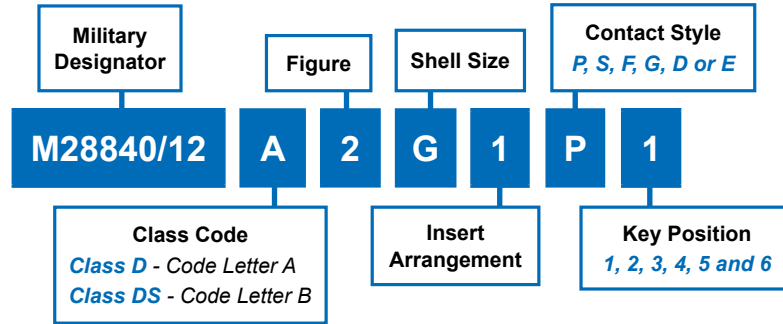


Military Shell Size	Shell Size	A Thread Class 2A	V Thread Class 2A	R	S Diameter
A	11	.750-.1P-.2L-D.S.	.750-20 UNEF	.768 (19.51) .758 (19.25)	.963 (24.46) .943 (23.95)
B	13	.875-.1P-.2L-D.S.	.875-20 UNEF	.893 (22.68) .883 (22.43)	1.088 (27.63) 1.063 (27.13)
C	15	1.062-.1P-.2L-D.S.	1.000-20 UNEF	1.080 (27.43) 1.070 (27.18)	1.275 (32.38) 1.255 (31.88)
D	17	1.125-.1P-.2L-D.S.	1.125-18 UNEF	1.143 (29.03) 1.133 (28.78)	1.338 (33.98) 1.318 (33.48)
E	19	1.312-.1P-.2L-D.S.	1.250-18 UNEF	1.330 (33.78) 1.320 (33.53)	1.525 (38.74) 1.505 (38.23)
F	23	1.500-.1P-.2L-D.S.	1.437-18 UNEF	1.518 (38.56) 1.508 (38.30)	1.713 (43.51) 1.693 (43.00)
G	25	1.625-.1P-.2L-D.S.	1.562-18 UNEF	1.643 (41.73) 1.633 (41.48)	1.838 (46.09) 1.818 (46.18)
H	29	1.812-.1P-.2L-D.S.	1.875-16 UN	1.893 (48.08) 1.883 (47.83)	2.088 (53.04) 2.068 (52.53)
J	33	2.000-.1P-.2L-D.S.	2.062-16 UNS	2.080 (52.83) 2.070 (52.58)	2.275 (57.78) 2.255 (57.28)

M28840/12 Box Mount Receptacle Connector



MIL-DTL-
28840



B

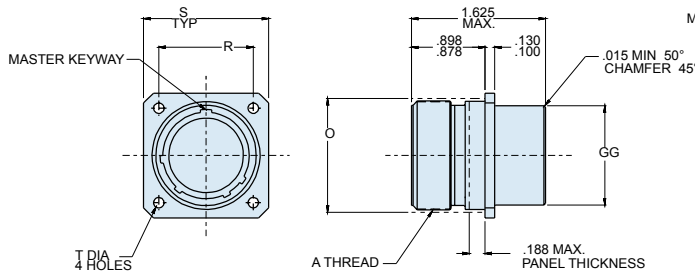


FIGURE 1

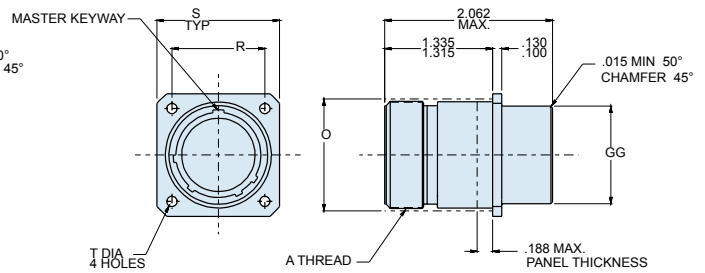
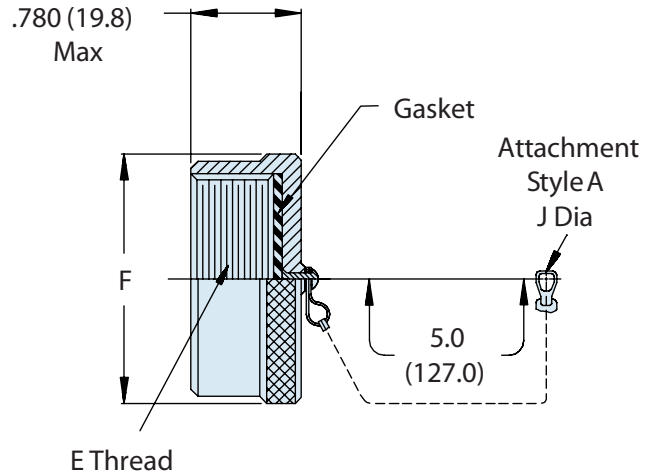
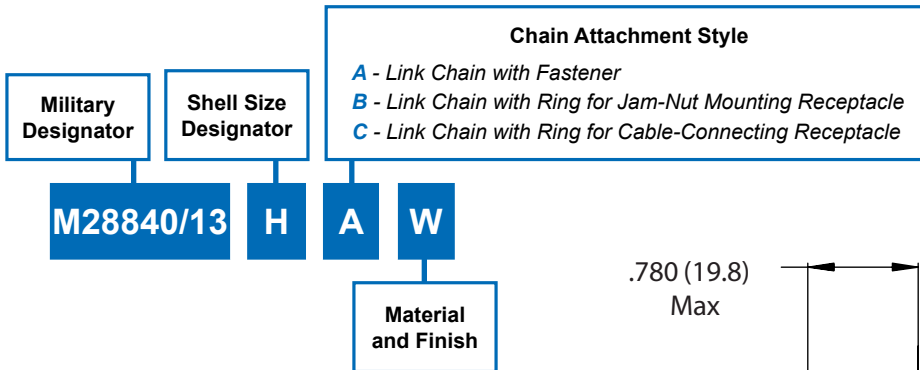


FIGURE 2

Designator	N Diameter Max	O Reference Mating Hole	R True Position Centerline to Centerline	S	T	GG Diameter Max.
A (11)	.750 (19.05)	.812 (20.62)	.750 (19.05)	1.043 (26.49) 1.003 (25.48)	.130 (3.30) .115 (2.92)	.758 (19.25)
B (13)	.875 (22.22)	.937 (23.80)	.843 (21.41)	1.158 (29.41) 1.118 (28.40)		.880 (22.35)
C (15)	1.062 (26.97)	1.124 (28.55)	.968 (24.59)	1.278 (32.46) 1.238 (31.45)		1.005 (25.53)
D (17)	1.125 (28.58)	1.187 (30.15)	1.015 (25.78)	1.403 (35.64) 1.363 (34.62)		1.130 (28.70)
E (19)	1.312 (33.32)	1.374 (34.90)	1.140 (28.96)	1.528 (38.81) 1.488 (37.80)		1.255 (31.88)
F (23)	1.500 (38.10)	1.562 (39.67)	1.281 (32.54)	1.738 (44.15) 1.698 (43.13)		1.443 (36.65)
G (25)	1.625 (41.28)	1.687 (42.85)	1.392 (35.36)	1.838 (46.69) 1.798 (45.67)	.157 (3.99) .142 (3.61)	1.567 (39.80)
H (29)	1.812 (46.02)	1.874 (47.60)	1.568 (39.83)	2.158 (54.81) 2.118 (53.80)		1.880 (47.75)
J (33)	2.000 (50.80)	2.062 (52.37)	1.734 (44.04)	2.343 (59.64) 2.308 (58.62)		2.067 (52.50)



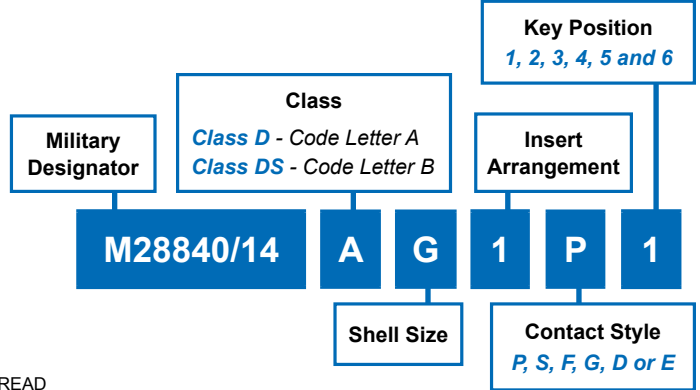
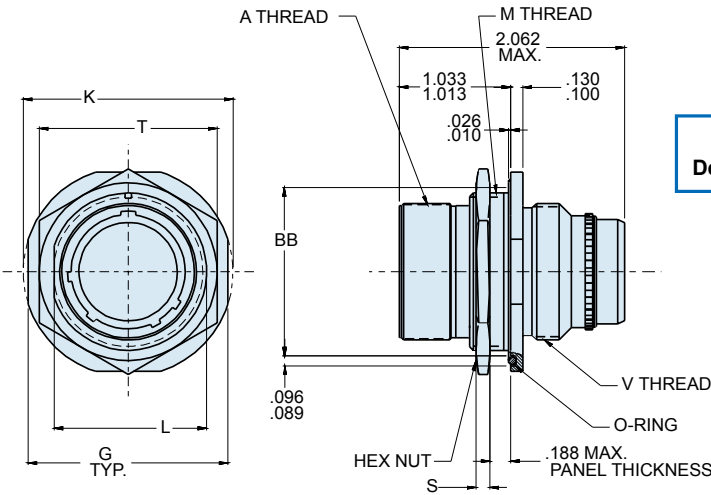
M28840/13 Receptacle Cover

Designator	E Thread Class 2A	F Max. Diameter	H ± .010 (± .25)	J Dia ± .005 (± .13)	G ± .005 (± .13)
A (11)	.750-.1P-.2L-D.S.	1.028 (26.21)	.890 (22.61)	.130 (3.30)	.765 (19.43)
B (13)	.875-.1P-.2L-D.S.	1.141 (23.98)	1.015 (25.78)		.890 (22.61)
C (15)	1.062-.1P-.2L-D.S.	1.263 (32.08)	1.203 (30.56)		1.015 (25.78)
D (17)	1.125-.1P-.2L-D.S.	1.387 (35.23)	1.265 (32.13)		1.140 (28.96)
E (19)	1.312-.1P-.2L-D.S.	1.513 (38.43)	1.453 (36.91)		1.265 (32.13)
F (23)	1.500-.1P-.2L-D.S.	1.703 (43.51)	1.640 (41.66)		1.453 (36.91)
G (25)	1.625-.1P-.2L-D.S.	1.825 (46.35)	1.765 (44.83)	.156 (3.96)	1.577 (40.06)
H (29)	1.812-.1P-.2L-D.S.	2.143 (54.43)	1.953 (49.61)		1.890 (48.01)
J (33)	2.000-.1P-.2L-D.S.	2.329 (59.16)	2.140 (54.36)		.193 (4.90)

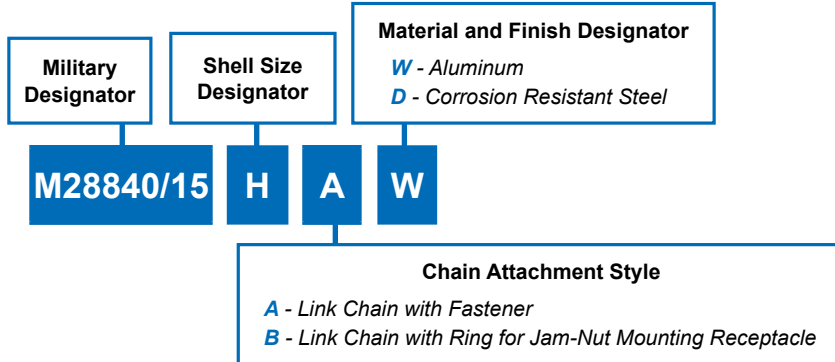
M28840/14 Jam Nut Mount Receptacle Connector



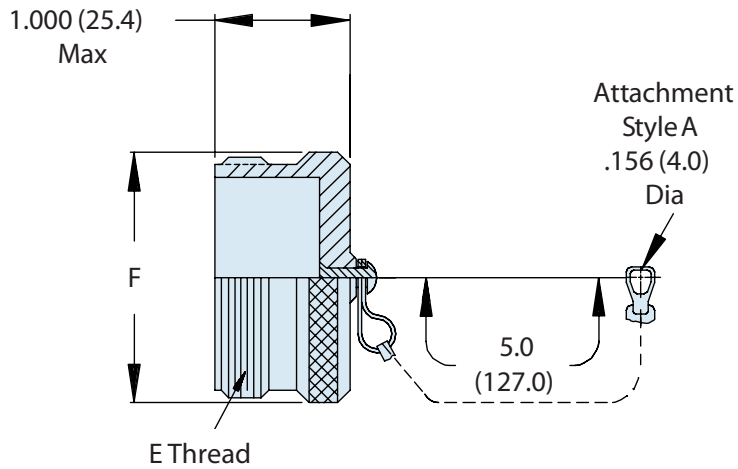
MIL-DTL-
28840



Designator	G	K	L Across Flat	M Thread Class 2A	N Max.	P	R Max.	S Hex Nut Thick- ness
A (11)	1.274 (32.36) 1.254 (31.85)	1.368 (34.75) 1.348 (34.24)	.841 (21.36) .832 (21.13)	7/8-20 UNEF	.750 (19.05)	.890 (22.61) .880 (22.35)	.875 (22.22)	.125 (3.17)
B (13)	1.399 (35.53) 1.379 (35.03)	1.508 (38.30) 1.488 (37.80)	.966 (24.54) .957 (24.31)	1-20 UNEF	.875 (22.22)	1.015 (24.78) 1.005 (25.53)	1.000 (25.40)	
C (15)	1.587 (40.31) 1.567 (39.80)	1.681 (42.70) 1.661 (42.19)	1.156 (29.29) 1.144 (29.06)	1 3/16-18 UNEF	1.062 (26.97)	1.203 (30.56) 1.193 (30.30)	1.188 (30.18)	
D (17)	1.649 (41.88) 1.629 (41.38)	1.743 (44.27) 1.723 (43.76)	1.216 (30.89) 1.207 (30.66)	1 1/4-18 UNEF	1.125 (28.58)	1.265 (32.13) 1.255 (31.88)	1.250 (31.75)	
E (19)	1.837 (46.66) 1.817 (46.15)	1.931 (49.05) 1.911 (48.54)	1.403 (35.64) 1.394 (35.41)	1 7/16-18 UNEF	1.312 (33.32)	1.453 (36.91) 1.443 (36.65)	1.438 (36.52)	
F (23)	2.024 (51.41) 2.004 (50.90)	2.118 (53.80) 2.098 (53.29)	1.591 (40.41) 1.582 (40.18)	1 5/8-18 UNEF	1.500 (38.10)	1.640 (41.66) 1.630 (41.40)	1.625 (41.28)	
G (25)	2.149 (54.58) 2.129 (54.08)	2.243 (56.97) 2.223 (56.46)	1.716 (43.59) 1.707 (43.36)	1 3/4-18 UNS	1.625 (41.28)	1.765 (44.83) 1.755 (44.58)	1.750 (44.45)	.189 (4.8)
H (29)	2.337 (59.36) 2.317 (58.85)	2.435 (61.85) 2.415 (61.34)	1.903 (46.34) 1.894 (48.11)	1 15/16-16 UN	1.812 (46.02)	1.953 (49.61) 1.943 (49.35)	1.938 (49.22)	
J (33)	2.524 (64.11) 2.504 (63.60)	2.618 (66.50) 2.598 (65.99)	2.091 (53.11) 2.082 (52.88)	2 1/8-16 UN	2.000 (50.80)	2.140 (54.36) 2.130 (54.10)	2.125 (53.98)	



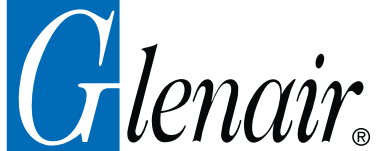
B



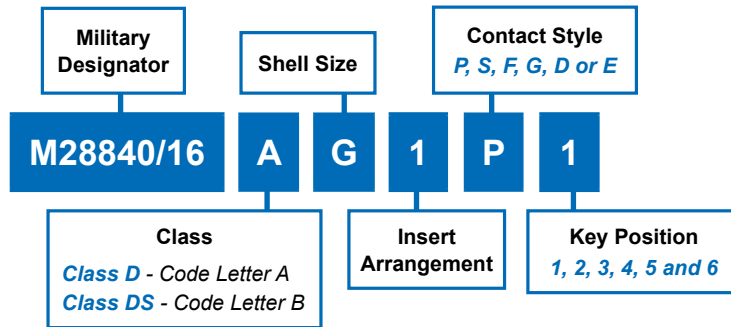
M28840/15 Plug Cover

Designator	E Thread Class 2B	F Max. Diameter
A (11)	.750-1P-.2L-DS	1.028 (26.21)
B (13)	.875-1P-.2L-DS	1.141 (28.98)
C (15)	1.062-1P-.2L-DS	1.263 (32.08)
D (17)	1.125-1P-.2L-DS	1.387 (35.23)
E (19)	1.312-1P-.2L-DS	1.108 (28.14)
F (23)	1.500-1P-.2L-DS	1.293 (32.84)
G (25)	1.625-1P-.2L-DS	1.454 (36.93)
H (29)	1.812-1P-.2L-DS	1.620 (41.15)
J (33)	2.000-1P-.2L-DS	1.812 (46.02)

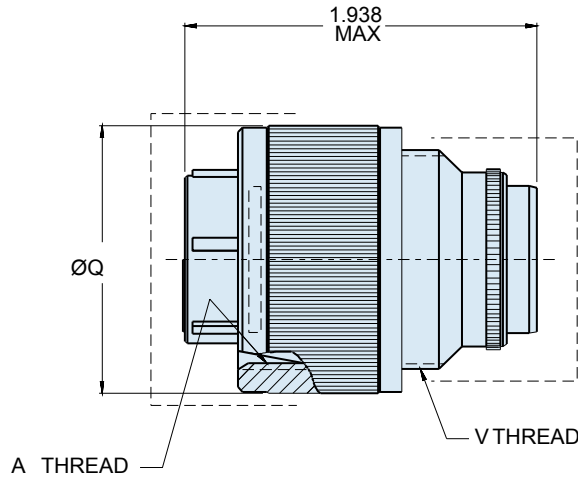
M28840/16 Plug Connector



MIL-DTL-
28840



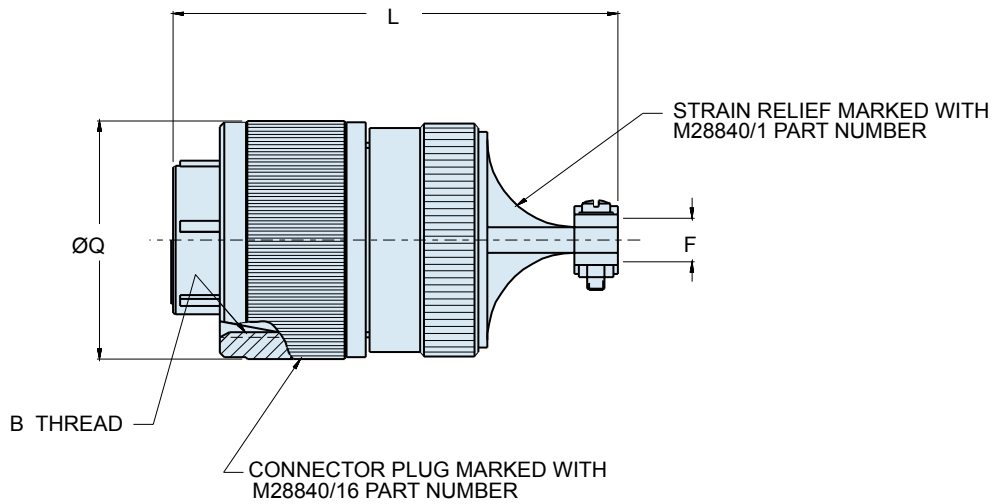
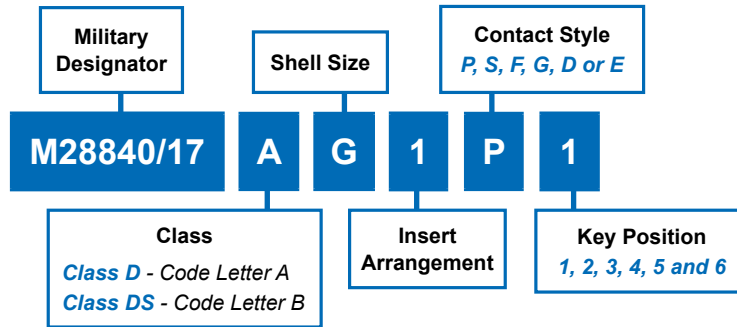
B



Designator	A Thread Class 2B	V Thread Class 2A	Ø Q Max.
A (11)	.750-1P-.2L-DS	3/4-20 UNEF	1.028 (26.11)
B (13)	.875-1P-.2L-DS	7/8-20 UNEF	1.141 (28.98)
C (15)	1.062-1P-.2L-DS	1-20 UNEF	1.263 (32.08)
D (17)	1.125-1P-.2L-DS	1 1/8-18 UNEF	1.387 (35.23)
E (19)	1.312-1P-.2L-DS	1 1/4-18 UNEF	1.513 (38.43)
F (23)	1.500-1P-.2L-DS	1 7/16-18 UNEF	1.703 (43.26)
G (25)	1.625-1P-.2L-DS	1 9/16-18 UNEF	1.825 (46.36)
H (29)	1.812-1P-.2L-DS	1 7/8-16 UN	2.143 (54.43)
J (33)	2.000-1P-.2L-DS	2 1/16-16 UNS	2.329 (59.16)

M28840/17 Plug Connector with Straight Strain Relief

B

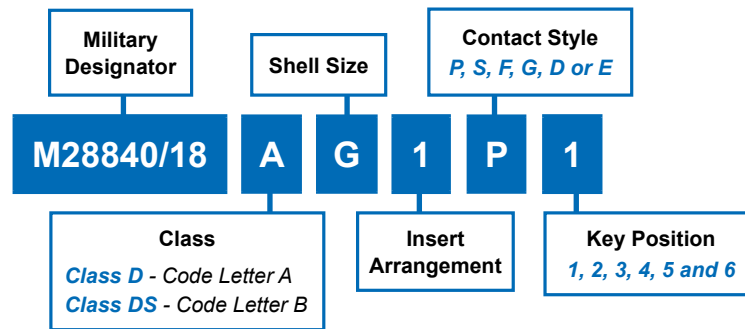


Designator	A Thread Class 2B	F Cable Entry		L Max.	Q Max.	Max. O.D. Over Rear Clamps
		Open	Closed			
A (11)	.750-1P-.2L-DS	.286	.177	2.438	1.028	.832
B (13)	.875-1P-.2L-DS	.286			1.141	
C (15)	1.062-1P-.2L-DS	.416	.250		1.263	
D (17)	1.125-1P-.2L-DS	.476	.291	2.688	1.387	1.094
E (19)	1.312-1P-.2L-DS	.626	.348	2.812	1.513	1.319
F (23)	1.500-1P-.2L-DS	.831	.429	2.938	1.703	1.557
G (25)	1.625-1P-.2L-DS	.956	.523	3.062	1.825	1.653
H (29)	1.812-1P-.2L-DS	1.081	.643	3.188	2.143	1.819
J (33)	2.000-1P-.2L-DS	1.187	.704	3.375	2.329	2.020

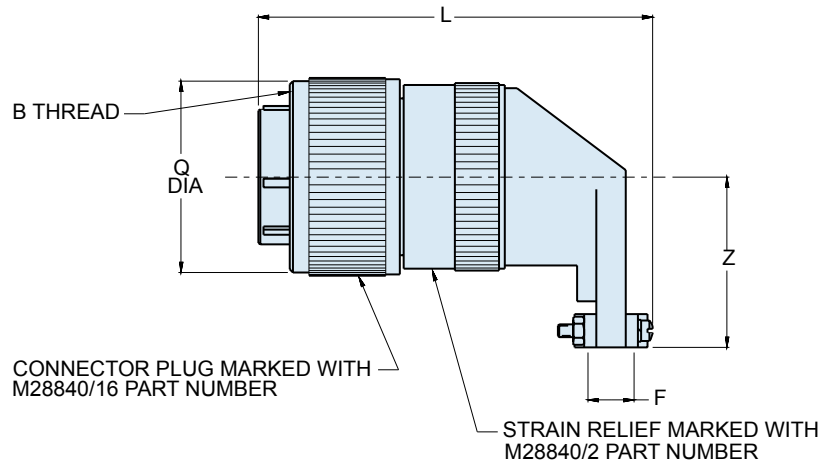
M28840/18 Plug Connector with 90° Strain Relief



MIL-DTL-
28840



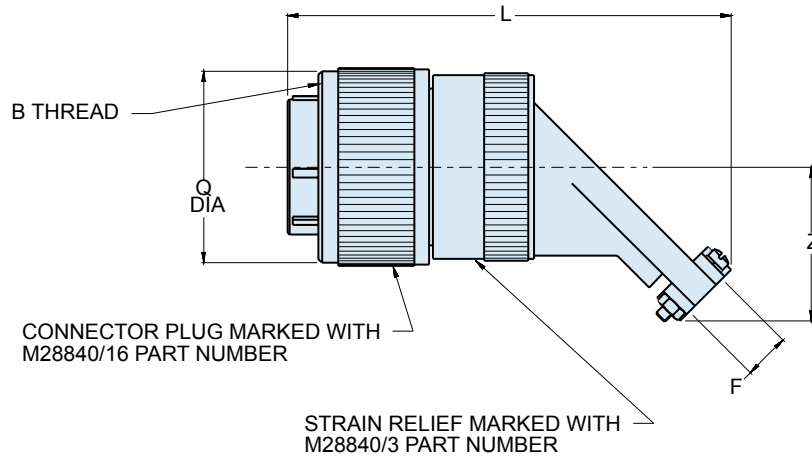
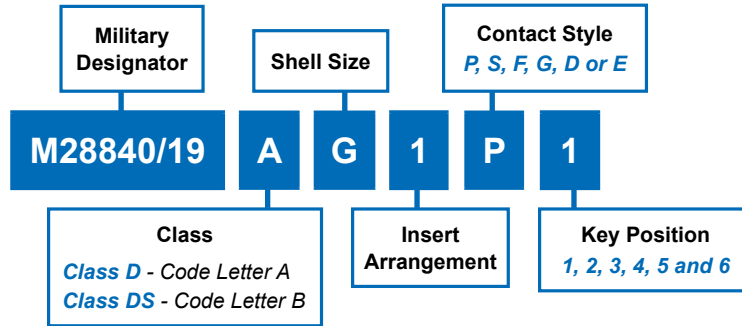
B



Designator	A Thread Class 2B	F Cable Entry		L Max.	Q Max.	Z Max.	Max. O.D. Over Rear Clamps
		Open	Closed				
A (11)	.750-1P-.2L-DS	.286	.177	2.562	1.028	.929	.832
B (13)	.875-1P-.2L-DS	.286		2.562	1.141	.929	
C (15)	1.062-1P-.2L-DS	.416	.250	2.750	1.263	1.056	.989
D (17)	1.125-1P-.2L-DS	.476	.291	2.875	1.387	1.233	1.094
E (19)	1.312-1P-.2L-DS	.626	.348	3.000	1.513	1.296	1.319
F (23)	1.500-1P-.2L-DS	.831	.429	3.125	1.703	1.358	1.557
G (25)	1.625-1P-.2L-DS	.956	.523	3.250	1.825	1.420	1.653
H (29)	1.812-1P-.2L-DS	1.081	.643	3.375	2.143	1.634	1.819
J (33)	2.000-1P-.2L-DS	1.187	.704	3.438	2.329	1.859	2.020

M28840/19 Plug Connector with 45° Strain Relief

B

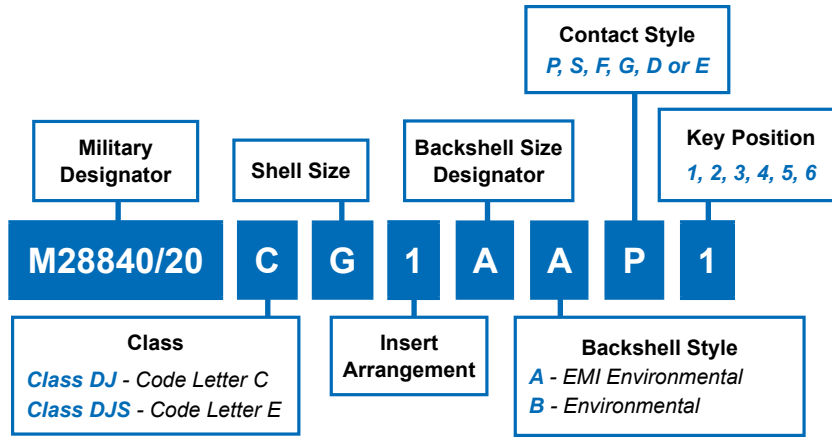


Designator	A Thread Class 2B	F Cable Entry		L Max.	Q Max.	Z Max.	Max. O.D. Over Rear Clamps
		Open	Closed				
A (11)	.750-1P-.2L-DS	.286	.177	3.125	1.028	.928	.832
B (13)	.875-1P-.2L-DS	.286		3.125	1.141	.928	
C (15)	1.062-1P-.2L-DS	.416	.250	3.250	1.263	.991	.989
D (17)	1.125-1P-.2L-DS	.476	.291	3.312	1.387	1.110	1.094
E (19)	1.312-1P-.2L-DS	.626	.348	3.375	1.513	1.172	1.319
F (23)	1.500-1P-.2L-DS	.831	.429	3.438	1.703	1.235	1.557
G (25)	1.625-1P-.2L-DS	.956	.523	3.500	1.825	1.297	1.653
H (29)	1.812-1P-.2L-DS	1.081	.643	3.750	2.143	1.543	1.819
J (33)	2.000-1P-.2L-DS	1.187	.704	3.875	2.329	1.668	2.020

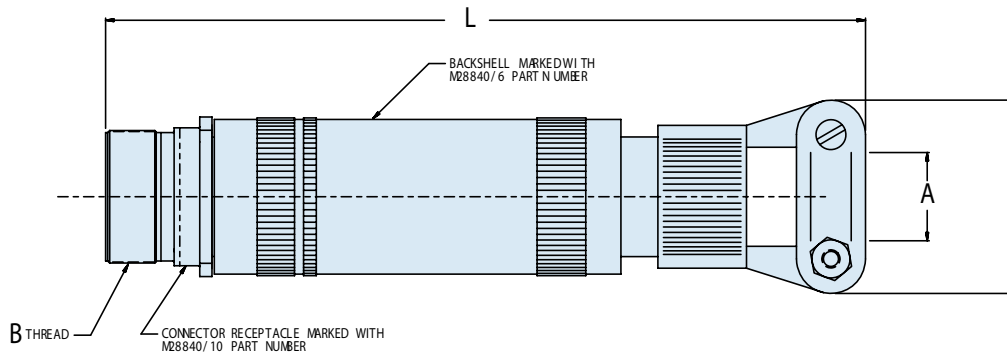
M28840/20
Receptacle Connector
with Straight EMI/RFI Backshell



MIL-DTL-
28840



B



M28840/20 Receptacle Connector with Straight EMI/RFI Backshell

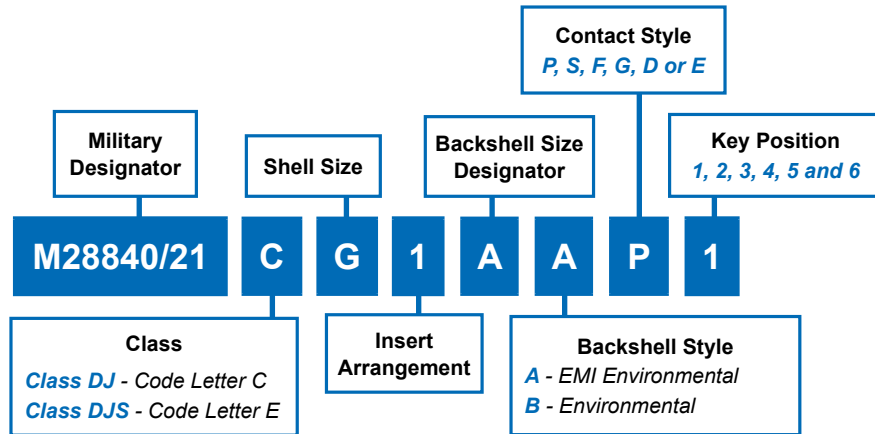
B

J Military Shell Size	Shell Size	Backshell Size Designator	A Cable Entry		A Thread Class 2B	E Max.	L Max.
			Open	Closed			
A	11	A	.312	.188	.750-1P-.2L-DS	.938	6.625
A	11	B	.438	.281		1.125	6.625
A	11	C	.562	.344		1.312	6.625
B	13	A	.312	.188	.875-1P-.2L-DS	.938	6.625
B	13	B	.438	.281		1.125	6.625
B	13	C	.562	.344		1.312	6.625
B	13	D	.652	.375		1.312	7.125
C	15	A	.438	.281	1.062-1P-.2L-DS	1.125	6.625
C	15	B	.562	.344		1.312	6.625
C	15	C	.625	.375		1.312	7.125
C	15	D	.750	.438		1.593	7.188
C	15	E	.312	.188		.938	6.625
D	17	A	.625	.375	1.125-1P-.2L-DS	1.312	7.125
D	17	B	.750	.438		1.593	7.188
D	17	C	.938	.625		1.750	7.188
E	19	A	.625	.375	1.312-1P-.2L-DS	1.312	7.125
E	19	B	.938	.625		1.750	7.250
F	23	A	.750	.438	1.500-1P-.2L-DS	1.593	7.688
F	23	B	.938	.625		1.750	7.812
F	23	C	1.188	.812		2.093	7.938
G	25	A	.938	.625	1.625-1P-.2L-DS	1.750	7.750
G	25	B	1.188	.812		2.093	8.438
G	25	C	1.250	.875		2.093	8.438
G	25	D	1.380	1.000		2.343	8.500
H	29	A	1.188	.812	1.812-1P-.2L-DS	2.093	8.438
H	29	B	1.380	1.000		2.343	8.500
J	33	A	1.380	1.000	2.000-1P-.2L-DS	2.343	8.500
J	33	B	1.625	1.250		2.750	8.750

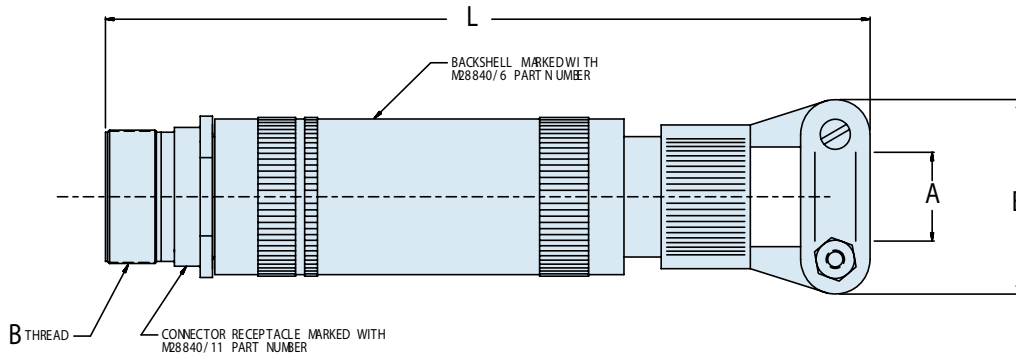
M28840/21
In-Line Receptacle Connector
with Straight EMI/RFI Backshell



MIL-DTL-
28840



B



M28840/21 In-Line Receptacle Connector with Straight EMI/RFI Backshell

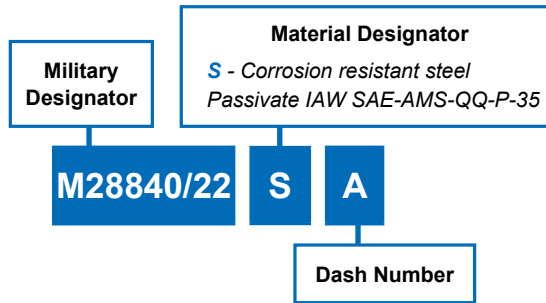
B

J Military Shell Size	Shell Size	Backshell Size Designator	A Cable Entry		A Thread Class 2B	E Max.	L Max.
			Open	Closed			
A	11	A	.312	.188	.750-1P-.2L-DS	.938	6.625
A	11	B	.438	.281		1.125	6.625
A	11	C	.562	.344		1.312	6.625
B	13	A	.312	.188	.875-1P-.2L-DS	.938	6.625
B	13	B	.438	.281		1.125	6.625
B	13	C	.562	.344		1.312	6.625
B	13	D	.652	.375		1.312	7.125
C	15	A	.438	.281	1.062-1P-.2L-DS	1.125	6.625
C	15	B	.562	.344		1.312	6.625
C	15	C	.625	.375		1.312	7.125
C	15	D	.750	.438		1.593	7.188
C	15	E	.312	.188		.938	6.625
D	17	A	.625	.375	1.125-1P-.2L-DS	1.312	7.125
D	17	B	.750	.438		1.593	7.188
D	17	C	.938	.625		1.750	7.188
E	19	A	.625	.375	1.312-1P-.2L-DS	1.312	7.125
E	19	B	.938	.625		1.750	7.250
F	23	A	.750	.438	1.500-1P-.2L-DS	1.593	7.688
F	23	B	.938	.625		1.750	7.812
F	23	C	1.188	.812		2.093	7.938
G	25	A	.938	.625	1.625-1P-.2L-DS	1.750	7.750
G	25	B	1.188	.812		2.093	8.438
G	25	C	1.250	.875		2.093	8.438
G	25	D	1.380	1.000		2.343	8.500
H	29	A	1.188	.812	1.812-1P-.2L-DS	2.093	8.438
H	29	B	1.380	1.000		2.343	8.500
J	33	A	1.380	1.000	2.000-1P-.2L-DS	2.343	8.500
J	33	B	1.625	1.250		2.750	8.750

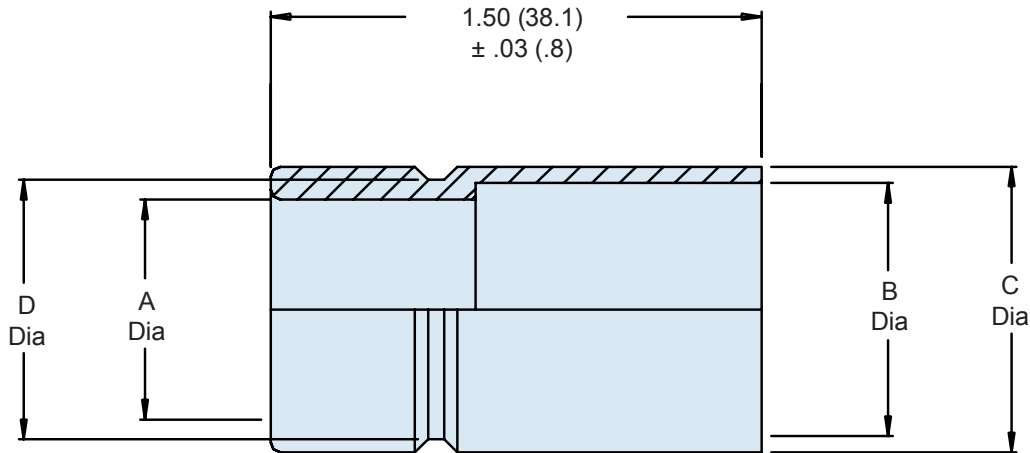
M28840/22 Metal Conduit Bushing



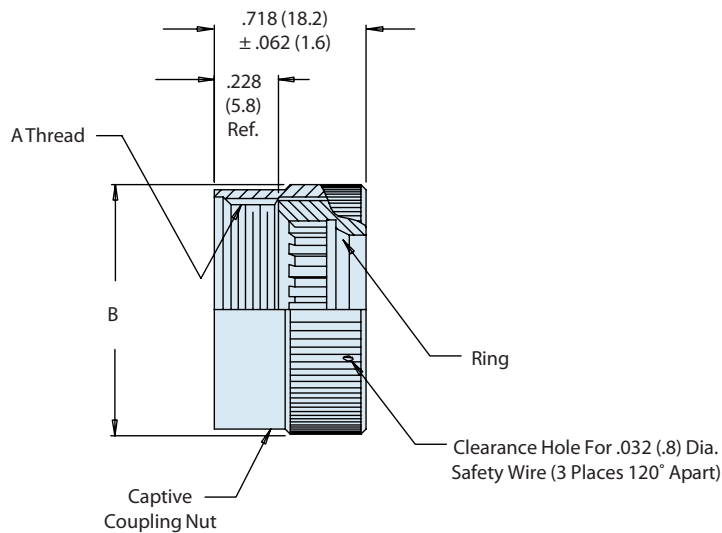
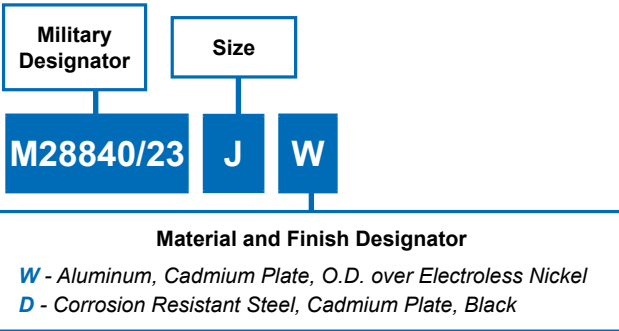
MIL-DTL-
28840



B



Size	MIL- DTL-28840/04 Size Ref.	A +.020 (.50) -.000 (.000)	B +.005 (.12) -.000 (.000)	C +.000 (.000) -.005 (.12)	D +.000 (.000) -.005 (.12)
03	03	.375 (9.53)	.540 (13.71)	.625 (15.87)	.525 (13.34)
04	04	.500 (12.70)	.665 (16.89)	.750 (19.05)	.650 (16.51)
05	05	.625 (15.87)	.780 (19.81)	.875 (22.23)	.775 (19.69)
06	06	.750 (19.05)	.940 (23.88)	1.000 (25.40)	.900 (22.86)
08	08	1.000 (25.40)	1.225 (31.12)	1.375 (34.93)	1.275 (32.39)
10	10	1.250 (31.75)	1.470 (37.34)	1.625 (41.28)	1.525 (38.74)
12	12	1.500 (38.10)	1.740 (44.20)	1.875 (47.65)	1.775 (45.09)
16	16	2.000 (50.80)	2.215 (56.26)	2.375 (60.33)	2.275 (57.79)

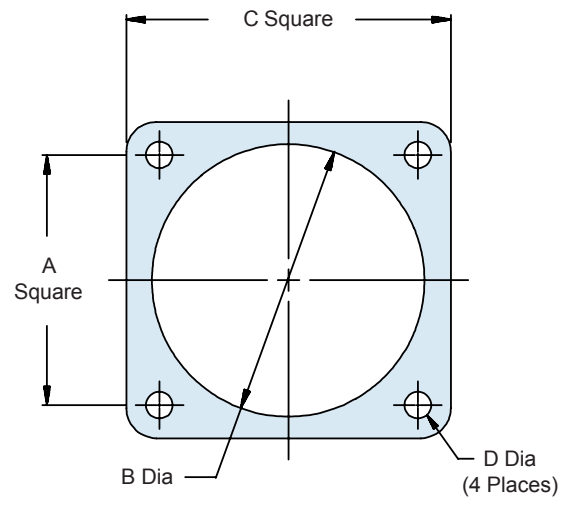
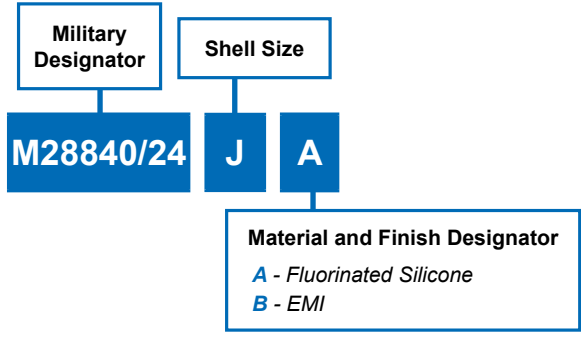


Designator	A Thread Class 2B	B Max. Diameter
A (11)	.750-20 UNEF	1.028 (26.11)
B (13)	.875-20 UNEF	1.14 (26.11)
C (15)	1.000-20 UNEF	2.263 (32.08)
D (17)	1.125-18 UNEF	1.387 (35.23)
E (19)	1.250-18 UNEF	1.513 (38.43)
F (23)	1.438-18 UNEF	1.703 (43.51)
G (25)	1.562-18 UNEF	1.825 (46.35)
H (29)	1.876-16 UN	2.143 (54.43)
J (33)	2.062-16 UNS	2.329 (59.16)

M28840/24 Mounting Gasket



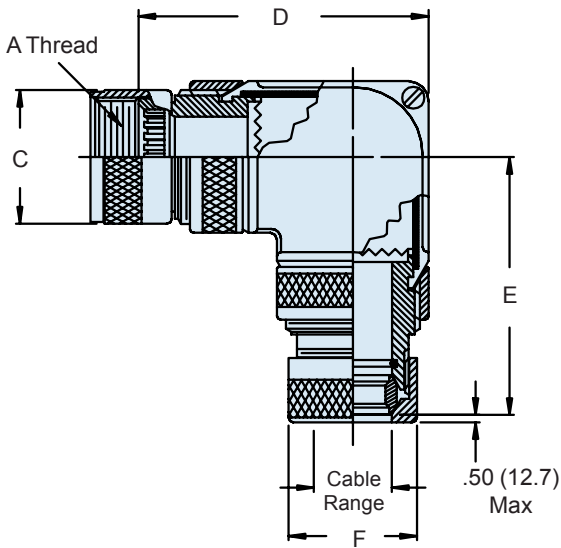
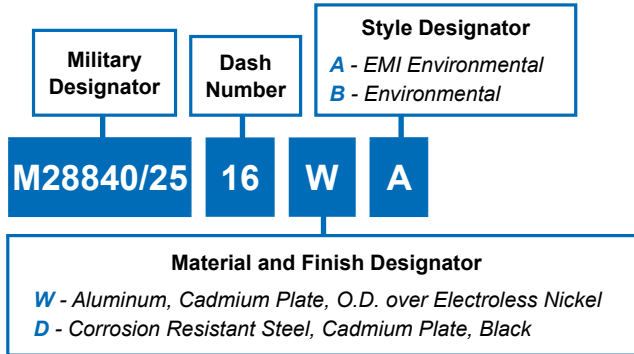
MIL-DTL-
28840



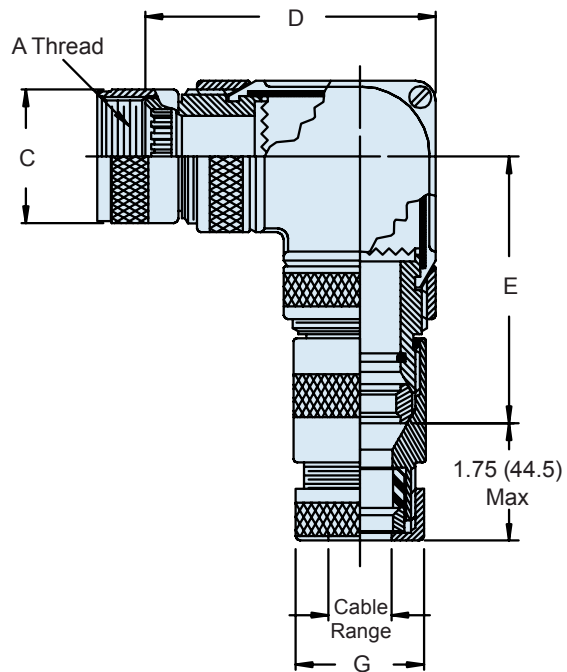
B

Designator	A	B Dia.	C	D Dia.
A (11)	.760 (19.30) .740 (18.80)	.766 (19.46) .750 (19.05)	1.039 (26.39) 1.023 (25.98)	.130 (3.30) .110 (2.79)
B (13)	.853 (21.67) .833 (21.16)	.891 (22.63) .875 (22.22)	1.154 (29.31) 1.138 (28.90)	
C (15)	.978 (24.84) .958 (24.33)	1.078 (27.38) 1.062 (26.97)	1.274 (32.36) 1.258 (31.95)	
D (17)	1.025 (26.04) 1.005 (25.53)	1.141 (28.98) 1.125 (28.58)	1.399 (26.39) 1.383 (35.13)	
E (19)	1.150 (29.21) 1.130 (28.70)	1.338 (33.98) 1.312 (33.32)	1.524 (38.71) 1.508 (38.30)	
F (23)	1.291 (32.79) 1.271 (32.28)	1.516 (38.51) 1.500 (38.10)	1.734 (44.04) 1.718 (43.64)	
G (25)	1.402 (35.61) 1.382 (35.10)	1.641 (41.68) 1.625 (41.28)	1.834 (46.58) 1.818 (46.18)	.157 (3.99) .137 (3.48)
H (29)	1.578 (40.08) 1.558 (39.57)	1.891 (48.03) 1.875 (47.62)	2.154 (54.71) 2.138 (54.30)	
J (33)	1.744 (44.30) 1.724 (43.79)	2.078 (52.78) 2.062 (52.37)	2.344 (59.54) 2.328 (59.13)	

B



STYLE A - EMI/Non-Environmental
(Plain Conduit)



STYLE B - EMI/Environmental
(Jacket Conduit)

M28840/25 90° EMI Conduit Adapter



MIL-DTL-
28840

B

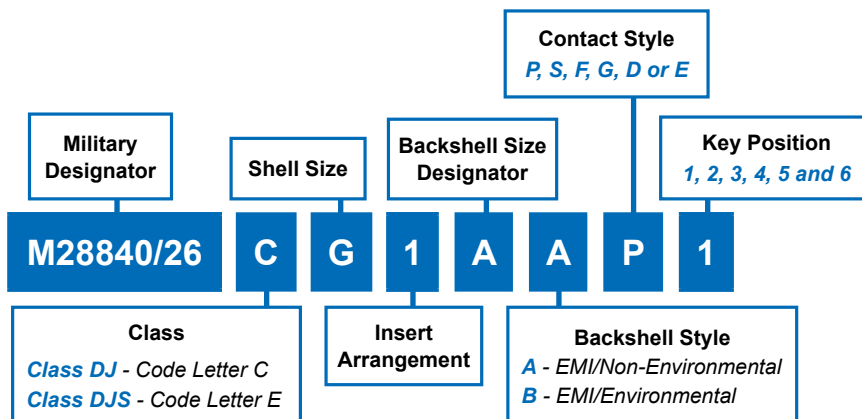
Dash Number	Designator	A Thread Class 2B	B Diameter Max.	C Thread Class 1	D Max Diameter	Sealing Range	
						Max.	Min.
01	A (11)	.750-20 UNEF	1.028 (26.11)	.875-20 UNEF	1.031 (26.19)	.63 (16.0)	.50 (12.7)
02	B (13)	.875-20 UNEF	1.141 (28.98)	.875-20 UNEF		.63 (16.0)	.50 (12.7)
03				1.000-20 UNEF		.75 (19.1)	.63 (16.0)
04	C (15)	1.000-20 UNEF	1.263 (32.08)	.875-20 UNEF	1.281 (32.58)	.63 (16.0)	.50 (12.7)
05				1.000-20 UNEF		.75 (19.1)	.63 (16.0)
06				1.125-18 UNEF		.88 (22.4)	.75 (19.1)
07				1.250-18 UNEF		1.00 (25.4)	.88 (22.4)
08	D (17)	1.125-18 UNEF	1.387 (35.23)	1.125-18 UNEF	1.531 (38.89)	.88 (22.4)	.75 (19.1)
09				1.250-18 UNEF		1.00 (25.4)	.88 (22.4)
10				1.625-18 UNEF		1.38 (35.1)	1.19 (30.2)
11	E (19)	1.250-18 UNEF	1.513 (38.43)	1.125-18 UNEF	1.781 (45.24)	.88 (22.4)	.75 (19.1)
12				1.250-18 UNEF		1.00 (25.4)	.88 (22.4)
13				1.625-18 UNEF		1.38 (35.1)	1.19 (30.2)
14				1.250-18 UNEF		1.00 (25.4)	.88 (22.4)
15	F (23)	1.438-18 UNEF	1.703 (45.51)	1.625-18 UNEF	2.031 (51.59)	1.38 (35.1)	1.18 (30.2)
16				1.875-18 UNS		1.63 (41.4)	1.44 (36.6)
17	G (25)	1.562-18 UNEF	1.825 (46.35)	1.250-18 UNEF	2.531 (64.29)	1.00 (25.4)	.88 (22.4)
18				1.625-18 UNEF		1.38 (35.1)	1.19 (30.2)
19				1.875-18 UNS		1.63 (41.4)	1.44 (36.5)
20				2.125-16 UN		1.88 (47.8)	1.63 (41.4)
21	H (29)	1.875-16 UN	2.143 (54.43)	1.875-18 UNS	2.031 (51.59)	1.63 (41.4)	1.44 (36.6)
22				2.125-16 UN		1.33 (47.8)	1.63 (41.4)
23	J (33)	2.062-16 UNS	2.329 (59.16)	2.125-16 UN	2.531 (64.29)	1.88 (47.8)	1.63 (41.4)
24				2.750-16 UN		2.38 (60.5)	2.13 (54.1)
25	A (11)	.750-20 UNEF	1.028 (26.11)	.875-20 UNEF	1.031 (25.19)	.75 (19.5)	.63 (16.0)

Dash Number	Designator	Conduit Size M 04	E Max. Dim.	F Max. Dim.	V Thread Class 2	M Max. Dia.	Y Max. Dia.
01	A (11)	03	2.36 (59.9)	3.50 (92.8)	1.000-20 UNEF	1.12 (28.5)	1.19 (30.23)
02	B (13)	03			1.000-20 UNEF	1.12 (28.5)	1.19 (30.23)
03		04			1.188-18 UNEF	1.25 (31.8)	1.38 (35.1)
04	C (15)	03	2.56 (65.0)	3.69 (9.79)	1.000-20 UNEF	1.12 (28.5)	1.39 (35.3)
05		04			1.118-18 UNEF	1.25 (31.8)	1.38 (35.1)
06		05			1.438-18 UNEF	1.43 (36.3)	1.63 (41.4)
07		06			2.67 (67.8)	3.81 (101.0)	1.750-18 UNS
08	D (17)	05	1.438-18 UNEF	1.43 (36.3)			1.63 (41.4)
09		06	1.750-18 UNS	1.62 (42.2)			1.94 (49.3)
10		08	2.00-18 UNS	1.81 (46.0)			2.19 (55.6)
11	E (19)	05	3.05 (77.5)	4.19 (111.1)	1.438-18 UNEF	1.43 (36.3)	1.63 (41.4)
12		06			1.750-18 UNS	1.62 (41.2)	1.94 (49.3)
13		08			2.00-18 UNS	1.81 (46.0)	2.19 (55.6)
14	F (23)	06	3.33 (84.6)	4.50 (119.4)	1.750-18 UNS	1.62 (41.2)	1.94 (49.3)
15		08			2.00-18 UNS	1.81 (46.0)	2.19 (55.6)
16		10			2.250-18 UN	2.18 (55.4)	2.44 (62.0)
17	G (25)	06	3.70 (94.0)	4.43 (128.1)	1.750-18 UNS	1.62 (41.2)	1.94 (49.3)
18		08			2.00-18 UN	1.81 (46.0)	2.19 (55.6)
19		10			2.250-18 UN	2.18 (55.4)	2.44 (62.0)
20		12			2.500-16 UN	2.56 (65.0)	2.69 (68.5)
21	H (29)	10	3.33 (84.6)	4.50 (119.4)	2.250-16 UN	2.18 (55.4)	2.18 (55.4)
22		12			1.500-16 UN	2.56 (65.0)	2.44 (62.0)
23	J (33)	12	3.70 (94.0)	4.43 (128.1)	2.500-16 UN	2.56 (65.0)	2.69 (68.3)
24		16			3.00-16 UN	3.06 (77.8)	3.19 (81.0)
25	A (11)	04	2.36 (59.9)	3.50 (92.8)	1.133-18 UNF	1.25 (31.8)	1.38 (35.1)

M28840/26 Plug Connector with Straight EMI/RFI Backshell

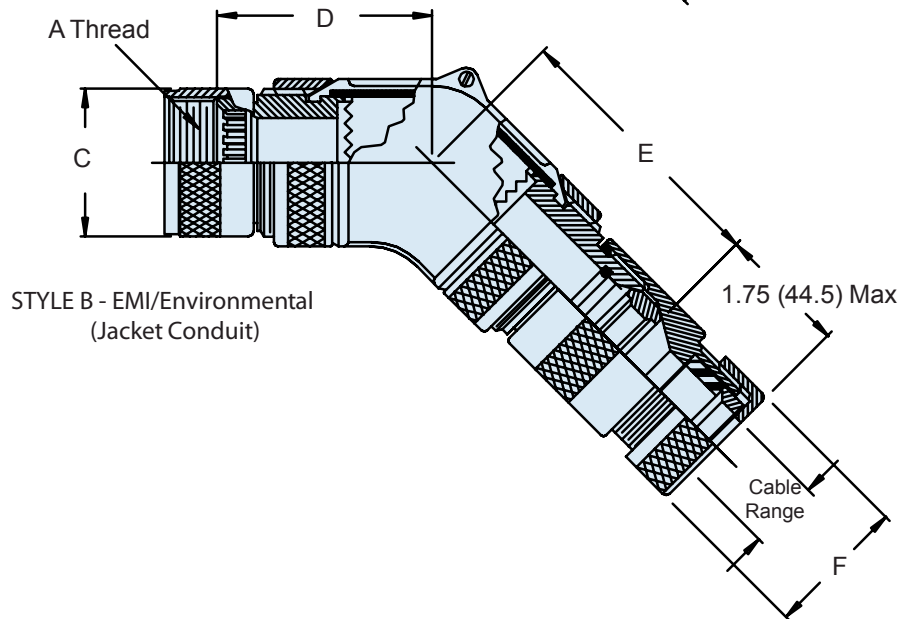
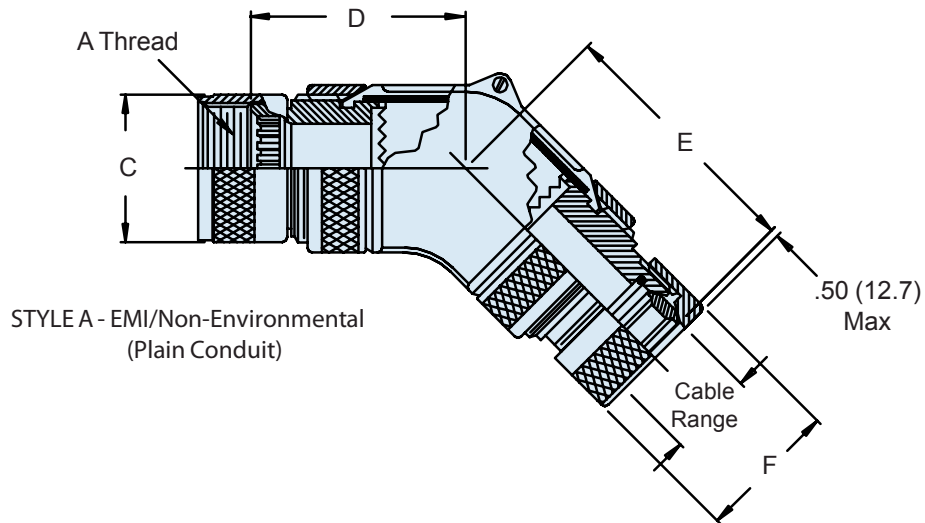
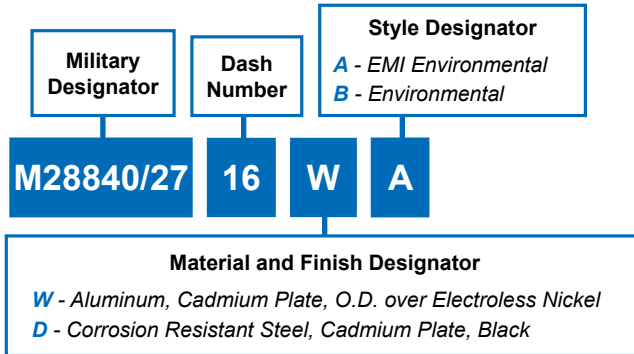


MIL-DTL-
28840



B

Military Shell Size	Shell Size	A Thread Class 2B	Backshell Size Designator	A Cable Entry		E Max.	L Max.
				Open	Closed		
A	11	.750-1P-.2L-DS	A	.312	.188	.938	6.500
			B	.438	.281	1.125	
			C	.562	.344	1.312	
B	13	.875-1P-.2L-DS	A	.312	.188	.938	7.000
			B	.438	.281	1.125	
			C	.562	.344	1.312	
			D	.652	.375	1.312	
C	15	1.062-1P-.2L-DS	A	.438	.281	1.125	6.500
			B	.562	.344	1.312	
			C	.625	.375	1.312	
			D	.750	.438	1.593	
			E	.312	.188	.938	
D	17	1.125-1P-.2L-DS	A	.625	.375	1.312	7.000
			B	.750	.438	1.593	
			C	.938	.625	1.750	
E	19	1.312-1P-.2L-DS	A	.625	.375	1.312	7.500
			B	.938	.625	1.750	7.625
F	23	1.500-1P-.2L-DS	A	.750	.438	1.593	7.812
			B	.938	.625	1.750	7.625
			C	1.188	.812	2.093	
G	25	1.625-1P-.2L-DS	A	.938	.625	1.750	8.312
			B	1.188	.812	2.093	
			C	1.250	.875	2.093	
			D	1.380	1.000	2.343	
H	29	1.812-1P-.2L-DS	A	1.188	.812	2.093	8.312
			B	1.380	1.000	2.343	
J	33	2.000-1P-.2L-DS	A	1.380	1.000	2.343	8.625
			B	1.625	1.250	2.750	



M28840/27 45° EMI Conduit Adapter



MIL-DTL-
28840

B

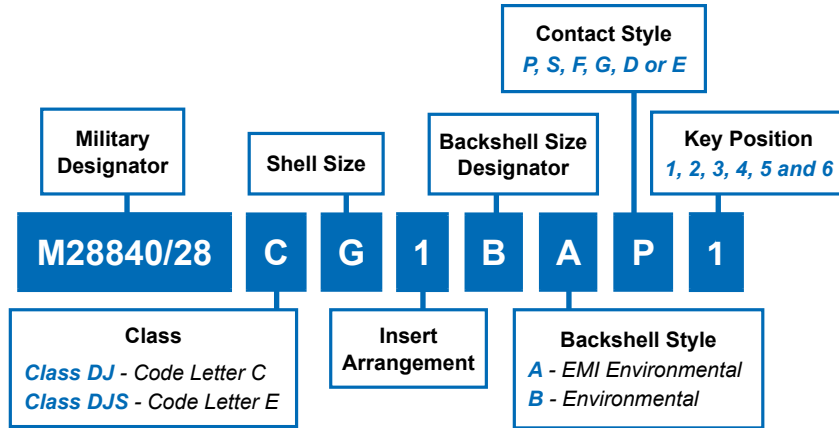
Dash No.	Designator	A Thread Class 2B	B Max Diameter	C Thread Class 2	D Max. Diameter	Sealing Range		Conduit Size M 04	E Max. Dim.
						Max.	Min.		
01	A (11)	.750-20 UNEF	1.028 (26.11)	.875-20 UNEF	1.031 (26.19)	.63 (16.0)	.50 (12.7)	03	2.36 (59.9)
02	B (13)	.875-20 UNEF	1.141 (28.98)	.875-20 UNEF		.63 (16.0)	.50 (12.7)	03	
03			1.000-20 UNEF	.75 (19.1)		.63 (16.0)	04		
04	C (15)	1.000-20 UNEF	1.263 (32.08)	.875-20 UNEF	1.281 (32.50)	.63 (16.0)	.50 (12.7)	03	2.56 (65.0)
05				1.000-20 UNEF		.75 (19.1)	.63 (16.0)	04	
06				1.125-18 UNEF		.88 (22.4)	.75 (19.1)	05	
07				1.250-18 UNEF	1.00 (25.4)	.88 (22.4)	06		
08	D (17)	1.125-18 UNEF	1.387 (38.23)	1.125-18 UNEF	1.531 (38.80)	.88 (22.4)	.75 (19.1)	05	2.67 (67.8)
09				1.250-18 UNEF		1.00 (25.4)	.88 (22.4)	06	
10				1.625-18 UNEF		1.38 (35.1)	1.19 (22)	08	
11	E (19)	1.250-18 UNEF	1.513 (38.43)	1.125-18 UNEF		.88 (22.4)	.75 (19.1)	05	
12				1.250-18 UNEF		1.00 (25.4)	.88 (22.4)	06	
13				1.625-18 UNEF	1.38 (35.1)	1.19 (30.2)	08		
14	F (23)	1.438-18 UNEF	1.703 (45.51)	1.250-18 UNEF	1.781 (45.24)	1.000 (25.4)	.88 (22.4)	06	3.05 (77.5)
15				1.625-18 UNEF		1.38 (35.1)	1.19 (30.2)	08	
16				1.875-18 UNS		1.63 (41.4)	1.44 (36.6)	10	
17	G (25)	1.562-18 UNEF	1.825 (46.35)	1.250-18 UNEF		1.00 (25.4)	.88 (22.4)	06	
18				1.625-18 UNEF		1.38 (41.4)	1.19 (30.2)	08	
19				1.875-18 UNS	1.43 (41.4)	1.44 (36.6)	10		
20				2.125-16 UN	1.88 (47.8)	1.63 (41.4)	12		
21	H (29)	1.875-16 UNS	2.143 (54.43)	1.875-18 UNS	2.031 (51.59)	1.63 (41.4)	1.44 (36.6)	10	3.33 (84.6)
22				2.125-16 UN		1.88 (47.8)	1.63 (41.4)	12	
23	J (33)	2.062-16 UNS	2.329 (50.16)	2.125-16 UN	2.531 (64.29)	1.88 (47.8)	1.63 (41.4)	12	3.70 (94.0)
24				2.750-16 UN		2.38 (60.5)	2.13 (54.1)	16	
25	A (11)	.750-20 UNEF	1.028 (16.11)	.875-20 UNEF	1.031 (26.19)	.75 (19.1)	.63 (16.0)	04	2.36 (59.9)

Dash Number	Designator	F Max. Dim.	V Thread Class 2	M Max. Diameter	Y Max. Diameter
1	A (11)	3.50 (88.9)	1.000-20 UNEF	1.12 (28.5)	1.19 (30.23)
2	B (13)		1.000-20 UNEF	1.12 (28.5)	1.19 (30.23)
3			1.188-18 UNEF	1.25 (31.8)	1.38 (35.1)
4	C (15)	3.69 (93.7)	1.000-20 UNEF	1.12 (28.5)	1.19 (30.23)
5			1.188-18 UNEF	1.25 (31.8)	1.38 (35.1)
6			1.438-18 UNEF	1.43 (36.3)	1.63 (41.4)
7	D (17)	3.81 (96.7)	1.750-18 UNS	1.62 (41.2)	1.94 (49.3)
8			1.438-18 UNEF	1.43 (36.3)	1.63 (41.4)
9			1.750-18 UNS	1.62 (41.2)	1.94 (49.3)
10			2.00-18 UNS	1.81 (46.0)	2.19 (55.6)
11	E (19)	3.81 (96.7)	1.438-18 UNEF	1.43 (36.3)	1.63 (41.4)
12			1.750-18 UNS	1.62 (41.2)	1.94 (49.3)
13			2.00-18 UNS	1.81 (46.0)	2.19 (55.6)
14	F (23)	4.19 (106.4)	1.750-18 UNS	1.62 (41.2)	1.94 (49.3)
15			2.00-18 UN	1.81 (46.0)	2.19 (55.6)
16			2.250-16 UN	2.18 (55.4)	2.44 (62.0)
17	G (25)	4.19 (106.4)	1.750-18 UNS	1.62 (41.2)	1.94 (49.3)
18			2.00-18 UN	1.81 (46.0)	2.19 (55.6)
19			2.250-16 UN	2.18 (55.4)	2.44 (62.0)
20	H (29)	4.50 (114.3)	2.500-16 UN	2.56 (65.0)	2.69 (68.3)
21			2.250-16 UN	2.18 (55.4)	2.44 (62.0)
22			2.500-16 UN	2.56 (65.0)	2.69 (68.3)
23	J (33)	4.83 (122.6)	2.500-16 UN	2.56 (65.0)	2.69 (68.3)
24			3.00-16 UN	3.06 (77.8)	3.19 (81.0)
25	A (11)	3.50 (88.9)	1.188-18 UNEF	1.25 (31.8)	1.38 (35.1)

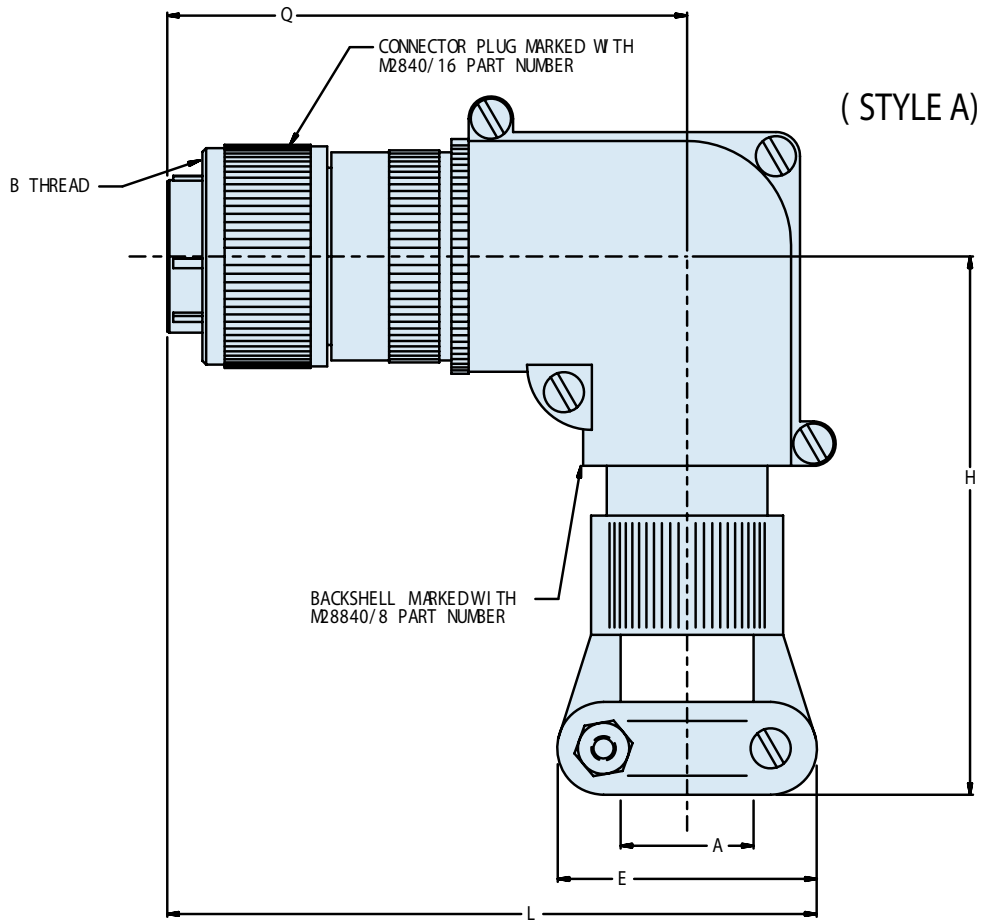
M28840/28 90° Adapter Assembly Plug



MIL-DTL-
28840



B

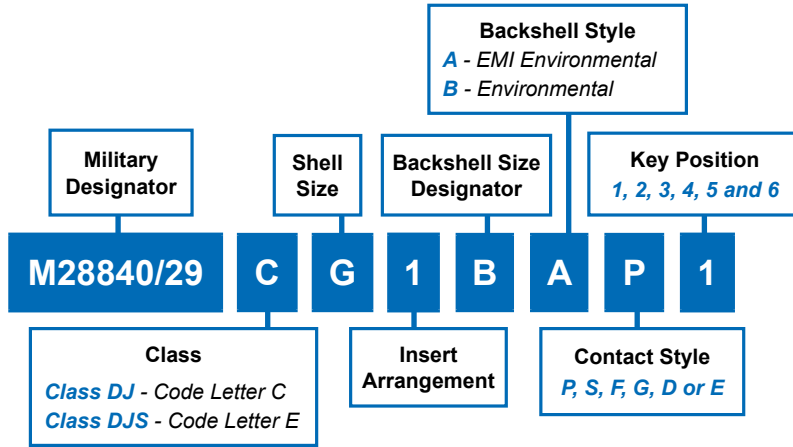


J Military Shell Size	Shell Size	Backshell Size Designator	A Cable Entry		A Thread Class 2B	E Max.	H Max.	L Max.	Q Max.
			Open	Closed					
A	11	A	.312	.188	.750-1P-.2L-DS	.938	5.332	3.812	3.250
A	11	B	.438	.281		1.125	5.332	3.812	3.250
A	11	C	.562	.344		1.312	5.457	4.000	3.375
B	13	A	.438	.281	.875-1P-.2L-DS	1.125	5.332	3.812	3.250
B	13	B	.562	.344		1.312	5.457	4.000	3.375
B	13	C	.625	.375		1.312	5.682	4.250	3.500
C	15	A	.438	.281	1.062-1P-.2L-DS	1.125	5.457	4.000	3.375
C	15	B	.562	.344		1.312	5.457	4.000	3.375
C	15	C	.625	.375		1.312	5.682	4.250	3.500
C	15	D	.750	.438		1.593	5.713	4.125	3.500
D	17	A	.625	.375	1.125-1P-.2L-DS	1.312	5.682	4.250	3.500
D	17	B	.750	.438		1.593	5.713	4.250	3.500
E	19	A	.625	.375	1.312-1P-.2L-DS	1.312	5.682	4.250	3.500
E	19	B	.938	.625		1.750	5.832	4.375	3.625
F	23	A	.750	.438	1.500-1P-.2L-DS	1.593	5.738	4.500	3.625
F	23	B	.938	.625		1.750	5.832	4.500	3.625
F	23	C	1.188	.812		2.093	6.019	4.688	3.625
G	25	A	.938	.625	1.625-1P-.2L-DS	1.750	5.832	4.500	3.625
G	25	B	1.188	.812		2.093	6.019	4.688	3.625
G	25	C	1.250	.875		2.093	6.144	4.688	3.750
G	25	D	1.380	1.000		2.343	6.176	4.938	3.750
H	29	A	1.188	.812	1.812-1P-.2L-DS	2.093	6.144	4.812	3.750
H	29	B	1.380	1.000		2.343	6.176	4.938	3.750
J	33	A	1.380	1.000	2.000-1P-.2L-DS	2.343	6.426	5.188	4.000
J	33	B	1.625	1.250		2.750	6.701	5.375	4.000

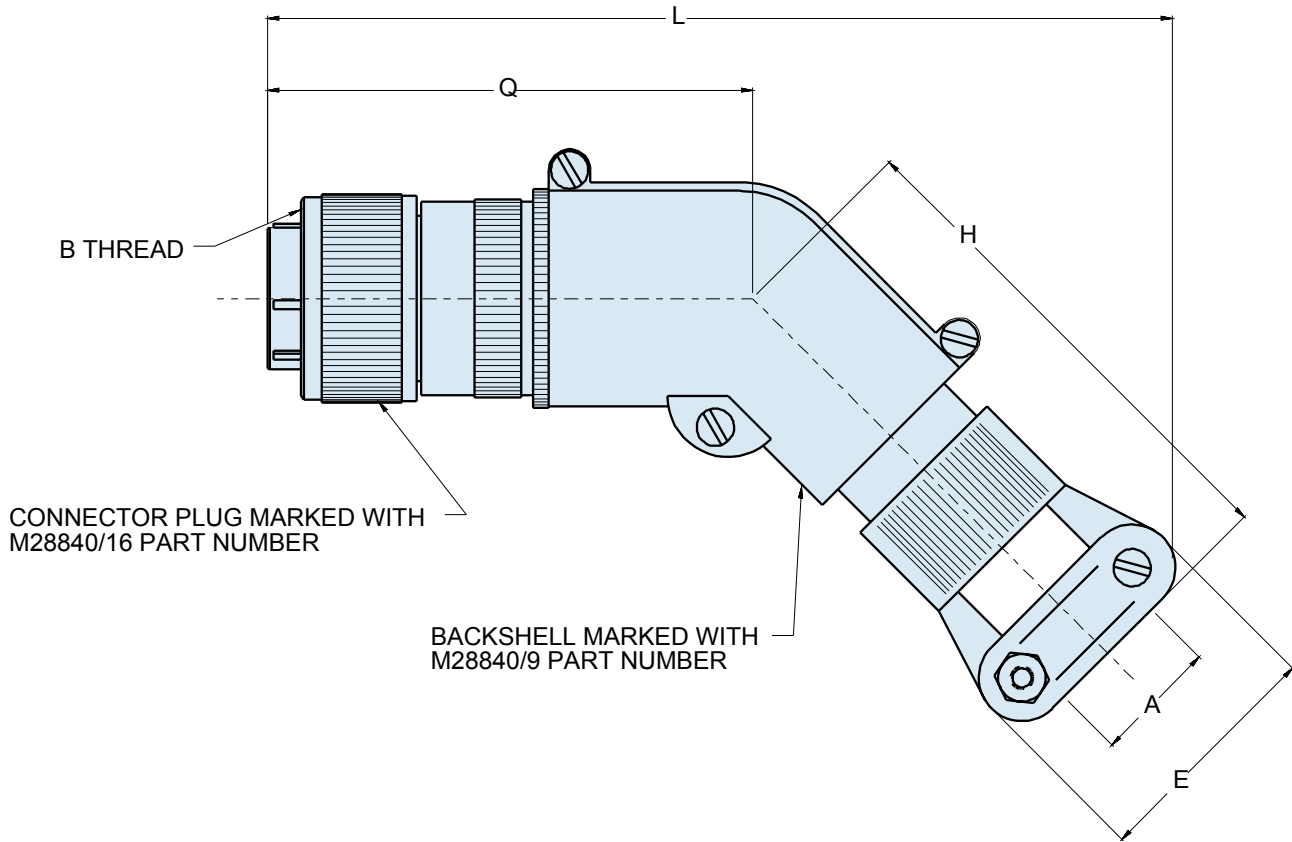
**M28840/29
Plug Connector
with 45° EMI/RFI Backshell**



MIL-DTL-
28840



B



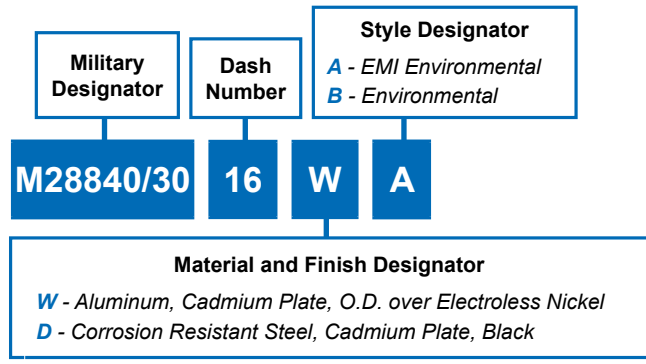
M28840/29 Plug Connector with 45° EMI/RFI Backshell

J Military Shell Size	Shell Size	Backshell Size Designator	A Cable Entry		A Thread Class 2B	E Max.	H Max.	L Max.	Q Max.
			Open	Closed					
A	11	A	.312	.188	.750-1P-.2L-DS	.938	5.432	7.404	3.250
A	11	B	.438	.281		1.125	5.432	7.457	3.250
A	11	C	.562	.344		1.312	5.557	7.727	3.375
B	13	A	.438	.281	.875-1P-.2L-DS	1.125	5.432	7.457	3.250
B	13	B	.562	.344		1.312	5.557	7.727	3.375
B	13	C	.625	.375		1.312	5.682	7.938	3.500
C	15	A	.438	.281	1.062-1P-.2L-DS	1.125	5.557	7.671	3.375
C	15	B	.562	.344		1.312	5.557	7.727	3.375
C	15	C	.625	.375		1.312	5.682	7.938	3.500
C	15	D	.750	.438		1.593	5.713	8.058	3.500
D	17	A	.625	.375	1.125-1P-.2L-DS	1.312	5.682	7.938	3.500
D	17	B	.750	.438		1.593	5.713	8.058	3.500
E	19	A	.625	.375	1.312-1P-.2L-DS	1.312	5.682	7.938	3.500
E	19	B	.938	.625		1.750	5.932	8.371	3.625
F	23	A	.750	.438	1.500-1P-.2L-DS	1.593	5.838	8.272	3.625
F	23	B	.938	.625		1.750	5.932	8.371	3.625
F	23	C	1.188	.812		2.093	6.119	8.628	3.625
G	25	A	.938	.625	1.625-1P-.2L-DS	1.750	5.932	8.371	3.625
G	25	B	1.188	.812		2.093	6.119	8.628	3.625
G	25	C	1.250	.875		2.093	6.244	8.841	3.750
G	25	D	1.380	1.000		2.343	6.276	8.950	3.750
H	29	A	1.188	.812	1.812-1P-.2L-DS	2.093	6.244	8.841	3.750
H	29	B	1.380	1.000		2.343	6.276	8.950	3.750
J	33	A	1.380	1.000	2.000-1P-.2L-DS	2.343	6.526	9.377	4.000
J	33	B	1.625	1.250		2.750	6.801	9.659	4.000

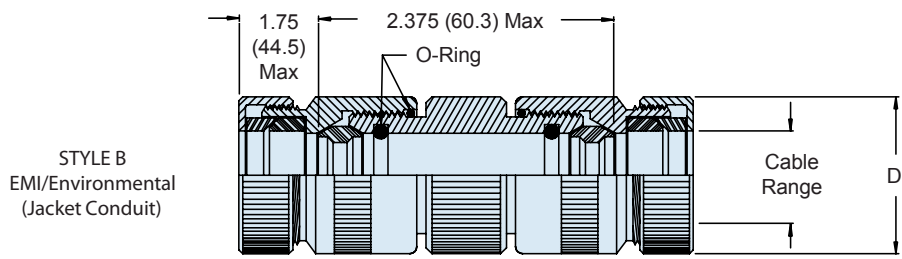
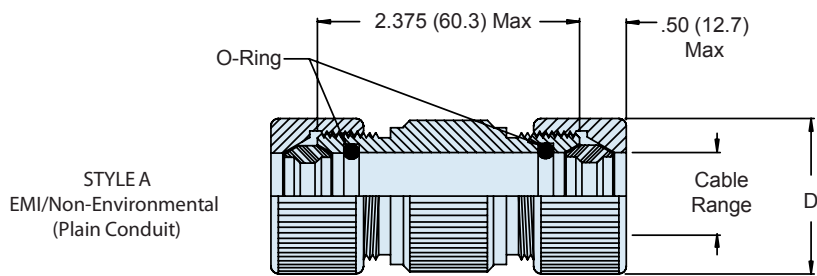
M28840/30 Metal Conduit Coupler Styles A and B



MIL-DTL-
28840



B



Dash Number	Conduit Size	Sealing Range		C Thread	M Max Diameter	V Thread Class 2	Y Max Diameter
		Max.	Min.				
03	03	.63 (16.0)	.50 (12.7)	.875-20 UNEF	1.12 (28.5)	1.00-20 UNEF	1.19 (30.23)
04	04	.75 (19.1)	.63 (16.0)	1.000-20 UNEF	1.25 (31.8)	1.188-18 UNEF	1.38 (35.1)
05	05	.88 (22.4)	.75 (18.1)	1.125-18 UNEF	1.43 (36.3)	1.438-18 UNEF	1.63 (41.4)
06	06	1.00 (25.4)	.88 (22.4)	1.250-18 UNEF	1.62 (41.2)	1.750-18 UNS	1.94 (49.3)
08	08	1.38 (35.1)	1.19 (30.2)	1.625-18 UNEF	1.81 (46.0)	2.00-18 UNS	2.19 (55.6)
10	10	1.63 (41.4)	1.44 (36.6)	1.875-18 UNS	2.18 (55.4)	2.250-16 UN	2.44 (62.0)
12	12	1.88 (47.8)	1.63 (41.4)	2.125-16 UN	2.56 (65.0)	2.50-16 UN	2.69 (68.3)
16	16	2.38 (60.5)	2.13 (54.1)	2.750-16 UN	3.06 (77.8)	3.00-16 UN	3.19 (81.0)

907-003
Glenair MIL-DTL-28840 Commercial Equivalent
Box Mount Receptacle
with PC Tail Contacts

Basic Part Number

907-003

Shell Size (See Table)

NF

25

Key Position

P

1

Finish

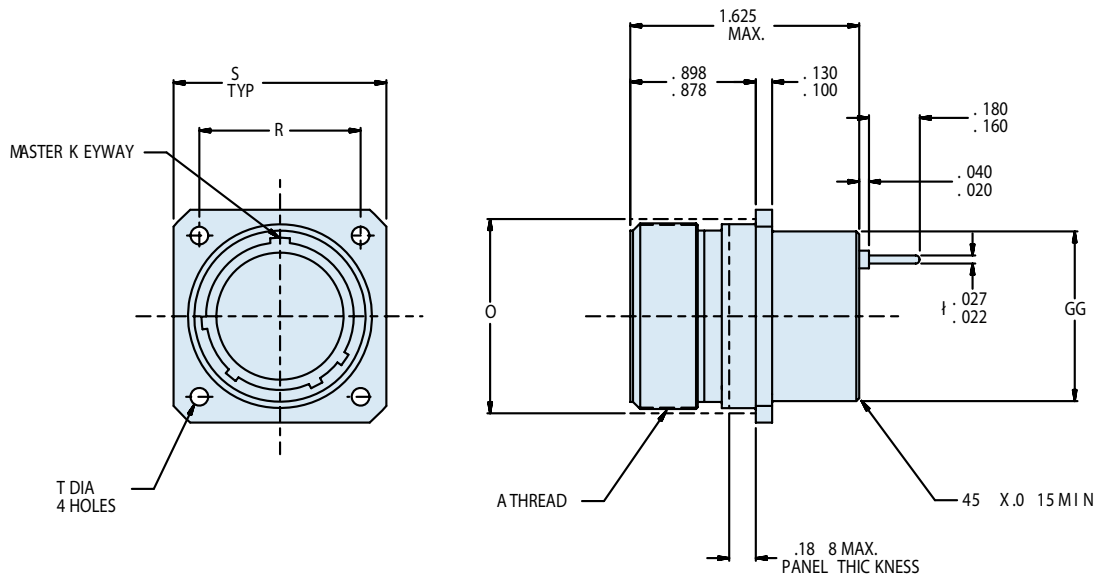
NF - Olive Drab Cadmium / Nickel

Contact Style

P - Pin Contacts / PC Tail

S - Socket Contacts / PC Tail

B



907-003
Glenair MIL-DTL-28840 Commercial Equivalent
Box Mount Receptacle
with PC Tail Contacts



MIL-DTL-
28840

B

Symbol	Material	Finish Description
NF	Aluminum	Cadmium O.D. over Electroless Nickel
ZN		Zinc Nickel
MT		Nickel-PTFE, 1000 Hour Grey™
Z1	316 Type Stainless Steel	Passivate
ZU		Black Cadmium Olive Drab over Nickel

Military Shell Size	Shell Size	A Thread Class 2A	O Ref. Mtg. Max.	R True Position ϕ to ϕ	S	T	GG Diameter Max.
A	11	.750-.1P-.2L-D.S.	.812	.750	1.043 1.003	.130 .115	.758
B	13	.875 -.1P-.2L-D.S.	.937	.843	1.158 1.118		.880
C	15	1.062 -.1P-.2L-D.S.	1.124	.968	1.278 1.238		1.005
D	17	1.125 -.1P-.2L-D.S.	1.187	1.015	1.403 1.363		1.130
E	19	1.312 -.1P-.2L-D.S.	1.374	1.140	1.528 1.488		1.255
F	23	1.500 -.1P-.2L-D.S.	1.562	1.281	1.738 1.698		1.443
G	25	1.625 -.1P-.2L-D.S.	1.687	1.392	1.838 1.798	.157 .142	1.567
H	29	1.812 -.1P-.2L-D.S.	1.937	1.568	2.158 2.118		1.880
J	33	2.000 -.1P-.2L-D.S.	2.124	1.734	2.348 2.308	.183 .168	2.067

907-037
Glenair MIL-DTL-28840 Commercial Equivalent
Box Mount Receptacle
with PC Tail Contacts



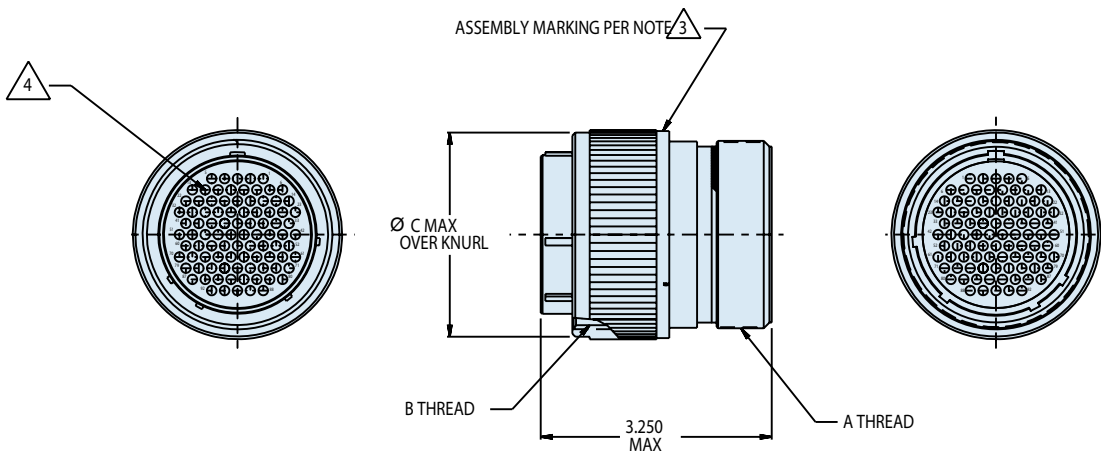
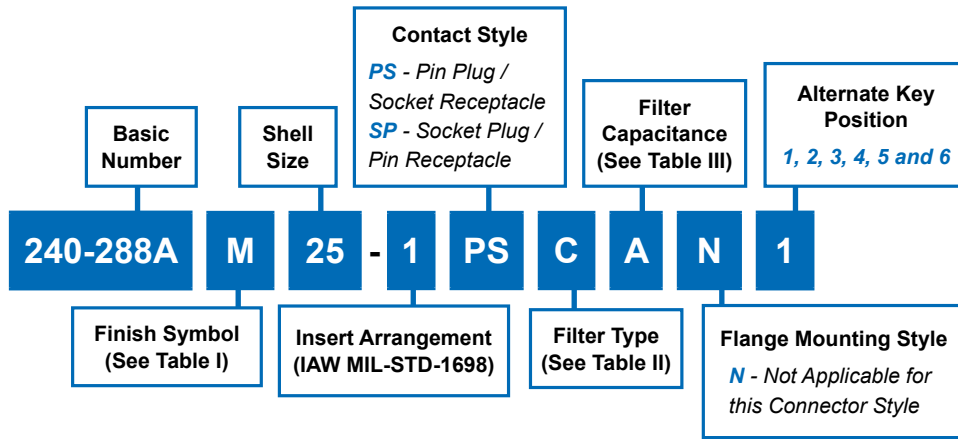
MIL-DTL-
28840

B

Symbol	Material	Finish Description
NF	Aluminum	Cadmium O.D. over Electroless Nickel
ZN		Zinc Nickel
MT		Nickel-PTFE, 1000 Hour Grey™
Z1	316 Type Stainless Steel	Passivate
ZU		Black Cadmium Olive Drab over Nickel

Military Shell Size	Shell Size	A Thread Class 2A	O Ref. Mtg. Max.	R True Position \varnothing to \varnothing	S	T	GG Diameter Max.
A	11	.750-.1P-.2L-D.S.	.812	.750	1.043 1.003	#4-40	.758
B	13	.875-.1P-.2L-D.S.	.937	.843	1.158 1.118	#4-40	.880
C	15	1.062-.1P-.2L-D.S.	1.124	.968	1.278 1.238	#4-40	1.005
D	17	1.125-.1P-.2L-D.S.	1.187	1.015	1.403 1.363	#4-40	1.130
E	19	1.312-.1P-.2L-D.S.	1.374	1.140	1.528 1.488	#4-40	1.255
F	23	1.500-.1P-.2L-D.S.	1.562	1.281	1.738 1.698	#4-40	1.443
G	25	1.625-.1P-.2L-D.S.	1.687	1.392	1.838 1.798	#6-32	1.567
H	29	1.812-.1P-.2L-D.S.	1.937	1.568	2.158 2.118	#6-32	1.880
J	33	2.000-.1P-.2L-D.S.	2.124	1.734	2.348 2.308	#6-32	2.067

B



Military Shell Size	Shell Size	A Thread Class 2A	B Thread Class 2B	Ø C Max
A	11	.750-.1P-.2L-D.S.	.750-.1P-.2L-D.S.	1.028
B	13	.875-.1P-.2L-D.S.	.875-.1P-.2L-D.S.	1.141
C	15	1.062-.1P-.2L-D.S.	1.062-.1P-.2L-D.S.	1.263
D	17	1.125-.1P-.2L-D.S.	1.125-.1P-.2L-D.S.	1.387
E	19	1.312-.1P-.2L-D.S.	1.312-.1P-.2L-D.S.	1.513
F	23	1.500-.1P-.2L-D.S.	1.500-.1P-.2L-D.S.	1.703
G	25	1.625-.1P-.2L-D.S.	1.625-.1P-.2L-D.S.	1.825
H	29	1.812-.1P-.2L-D.S.	1.812-.1P-.2L-D.S.	2.143
J	33	2.000-.1P-.2L-D.S.	2.000-.1P-.2L-D.S.	2.329

240-288A
Sav-Con® Filtered Connector Saver
for MIL-DTL-28840 Connectors



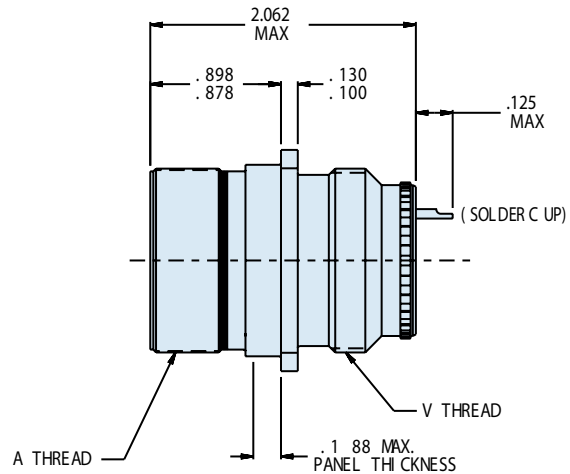
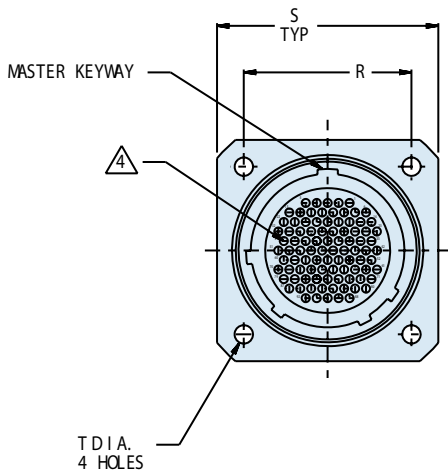
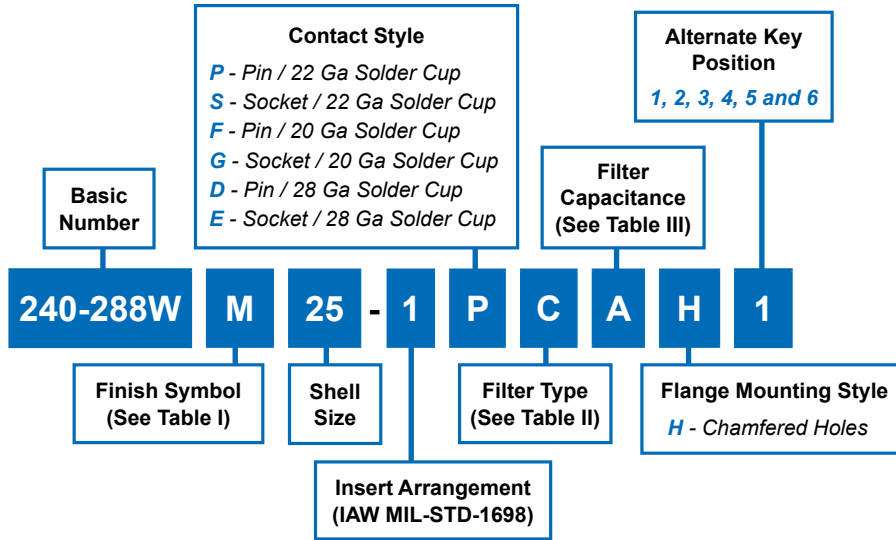
MIL-DTL-
28840

B

Symbol	Material	Finish Description
M	Aluminum	Electroless Nickel
MT	Aluminum	Nickel-PTFE, 1000 Hour Grey™
NF	Aluminum	Cadmium O.D. over Electroless Nickel
P	Stainless Steel	Electrodeposited Nickel

Filter Type	
P	PI-Section
C	C-Section

Class	PI-Section (pF)	C-Section (pF)
X	160,000 - 240,000	80,000 - 120,000
Y	80,000 - 120,000	40,000 - 60,000
Z	60,000 - 91,000	30,000 - 45,000
A	38,000 - 56,000	19,000 - 28,000
B	32,000 - 45,000	16,000 - 22,500
C	18,000 - 33,000	9,000 - 16,500
D	8,000 - 12,000	4,000 - 6,000
E	3,300 - 5,000	1,650 - 2,500
F	800 - 1,300	400 - 650
G	400 - 600	200 - 300



Symbol	Material	Finish Description
M	Aluminum	Electroless Nickel
MT	Aluminum	Nickel-PTFE, 1000 Hour Grey™
NF	Aluminum	Cadmium O.D. over Electroless Nickel
P	Stainless Steel	Electrodeposited Nickel

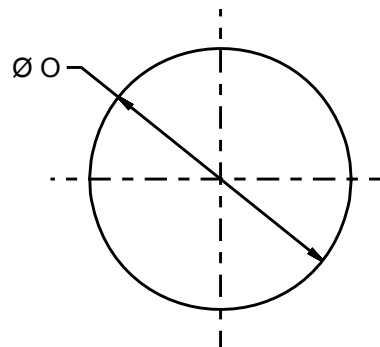
240-288W
Filtered Wall Mount Receptacle
MIL-DTL-28840 Type



MIL-DTL-
28840

B

Class	PI-Section (pF)	C-Section (pF)
X	160,000 - 240,000	80,000 - 120,000
Y	80,000 - 120,000	40,000 - 60,000
Z	60,00 - 91,000	30,000 - 45,000
A	38,000 - 56,000	19,000 - 28,000
B	32,000 - 45,000	16,000 - 22,500
C	18,000 - 33,000	9,000 - 16,500
D	8,000 - 12,000	4,000 - 6,000
E	3,300 - 5,000	1,650 - 2,500
F	800 - 1,300	400 - 650
G	400 - 600	200 - 300

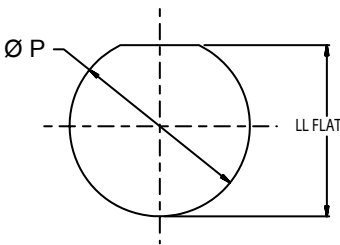
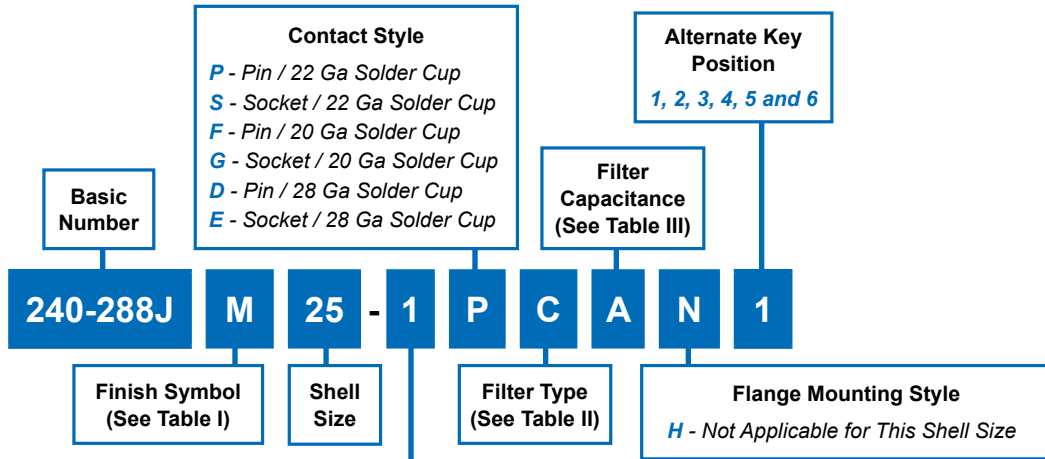


RECOMMENDED PANEL CUT OUT

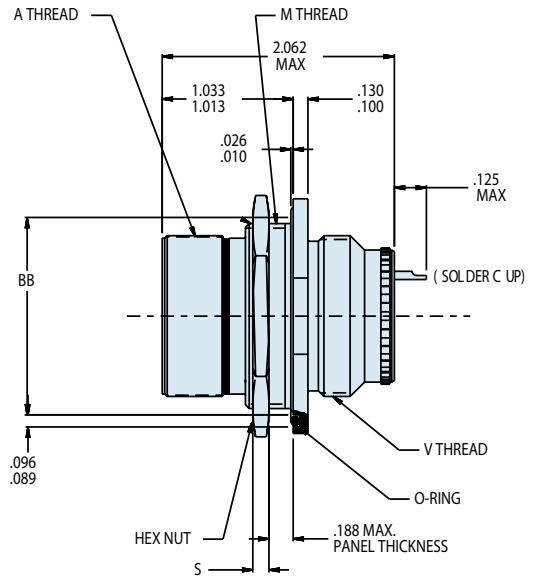
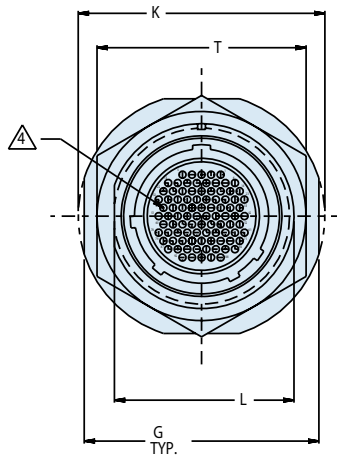
Filter Type	
P	PI-Section
C	C-Section

Military Shell Size	Shell Size	A Thread Class 2A	V Thread Class 2A	O Ref. Mtg. Hole	R True Position \varnothing to \varnothing	S	T Diameter
A	11	.750-.1P-.2L-D.S.	.750-20 UNEF	.812	.750	1.043 1.003	.130 .115
B	13	.875-.1P-.2L-D.S.	.875-20 UNEF	.937	.843	1.158 1.118	
C	15	1.062-.1P-.2L-D.S.	1.000-20 UNEF	1.124	.968	1.278 1.238	
D	17	1.125-.1P-.2L-D.S.	1.125-18 UNEF	1.187	1.015	1.403 1.363	
E	19	1.312-.1P-.2L-D.S.	1.250-18 UNEF	1.374	1.140	1.528 1.488	
F	23	1.500-.1P-.2L-D.S.	1.437-18 UNEF	1.562	1.281	1.738 1.698	
G	25	1.625-.1P-.2L-D.S.	1.562-18 UNEF	1.687	1.392	1.838 1.798	.157 .142
H	29	1.812-.1P-.2L-D.S.	1.875-16 UN	1.874	1.568	2.158 2.118	
J	33	2.000-.1P-.2L-D.S.	2.062-16 UNS	2.062	1.734	2.348 2.308	.183 .168

B



Filter Type	
P	PI-Section
C	C-Section



Class	PI-Section (pF)	C-Section (pF)
X	160,000 - 240,000	80,000 - 120,000
Y	80,000 - 120,000	40,000 - 60,000
Z	60,00 - 91,000	30,000 - 45,000
A	38,000 - 56,000	19,000 - 28,000
B	32,000 - 45,000	16,000 - 22,500
C	18,000 - 33,000	9,000 - 16,500
D	8,000 - 12,000	4,000 - 6,000
E	3,300 - 5,000	1,650 - 2,500
F	800 - 1,300	400 - 650
G	400 - 600	200 - 300

Symbol	Material	Finish Description
M	Aluminum	Electroless Nickel
MT	Aluminum	Nickel-PTFE, 1000 Hour Grey™
NF	Aluminum	Cadmium O.D. over Electroless Nickel
P	Stainless Steel	Electrodeposited Nickel

240-288J
Filtered Jam Nut Mount Receptacle
MIL-DTL-28840 Type



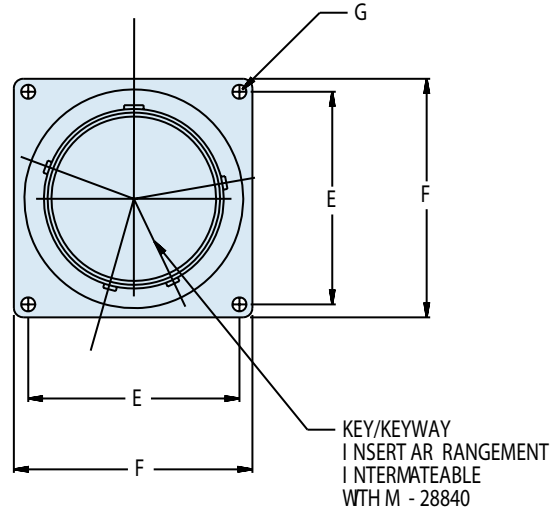
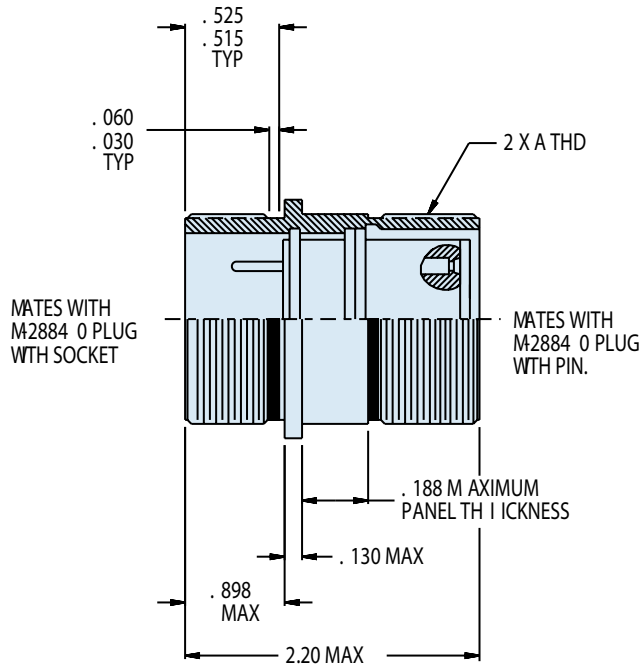
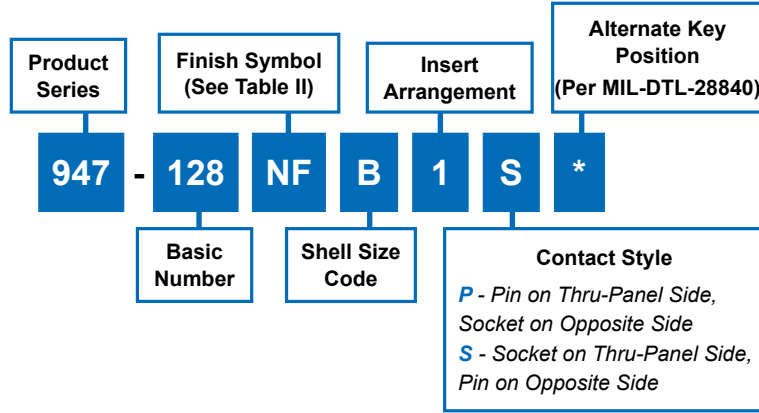
MIL-DTL-
28840

B

Military Shell Size	Shell Size	A Thread Class 2A	G	K Dia.	L Across Flat	M Thread Class 2A
A	11	.750-.1P-.2L-D.S.	1.274 1.254	1.368 1.348	.841 .832	.875-20 UNEF
B	13	.875-.1P-.2L-D.S.	1.399 1.379	1.508 1.488	.966 .957	1.000-20 UNEF
C	15	1.062-.1P-.2L-D.S.	1.587 1.567	1.681 1.661	1.153 1.144	1.187-18 UNEF
D	17	1.125-.1P-.2L-D.S.	1.649 1.629	1.743 1.723	1.216 1.207	1.250-18 UNEF
E	19	1.312-.1P-.2L-D.S.	1.837 1.817	1.931 1.911	1.403 1.394	1.437-18 UNEF
F	23	1.500-.1P-.2L-D.S.	2.024 2.004	2.118 2.098	1.591 1.582	1.625-18 UNEF
G	25	1.625-.1P-.2L-D.S.	2.149 2.129	2.243 2.223	1.716 1.707	1.750-18 UNS
H	29	1.812-.1P-.2L-D.S.	2.337 2.317	2.435 2.415	1.903 1.894	1.937-16 UN
J	33	2.000-.1P-.2L-D.S.	2.524 2.504	2.618 2.598	2.091 2.082	2.125-16 UN

Military Shell Size	Shell Size	V Thread Class 2A	BB Dia.	S Nominal	T ± .017	P Dia.	LL Flat
A	11	.750-20 UNEF	.979 .969	.125	1.062	.890 .880	.853 .843
B	13	.875-20 UNEF	1.104 1.094		1.188	1.015 1.005	.978 .968
C	15	1.000-20 UNEF	1.292 1.282		1.375	1.203 1.193	1.165 1.155
D	17	1.125-18 UNEF	1.354 1.344		1.438	1.265 1.255	1.228 1.218
E	19	1.250-18 UNEF	1.542 1.532		1.625	1.453 1.443	1.415 1.405
F	23	1.437-18 UNEF	1.729 1.719		1.812	1.640 1.630	1.603 1.593
G	25	1.562-18 UNEF	1.854 1.844	.189	2.000	1.765 1.755	1.728 1.718
H	29	1.875-16 UN	2.042 2.032		2.188	1.953 1.943	1.915 1.905
J	33	2.062-16 UNS	2.229 2.219		2.375	2.140	1.103
						2.130	2.093

B



947-128
Bulkhead Feedthrough Receptacle
Wall Mount
MIL-DTL-28840 Type



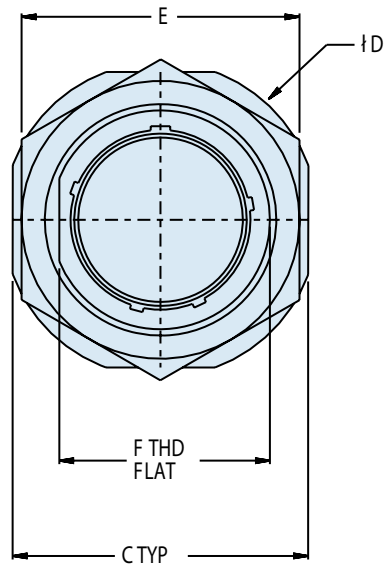
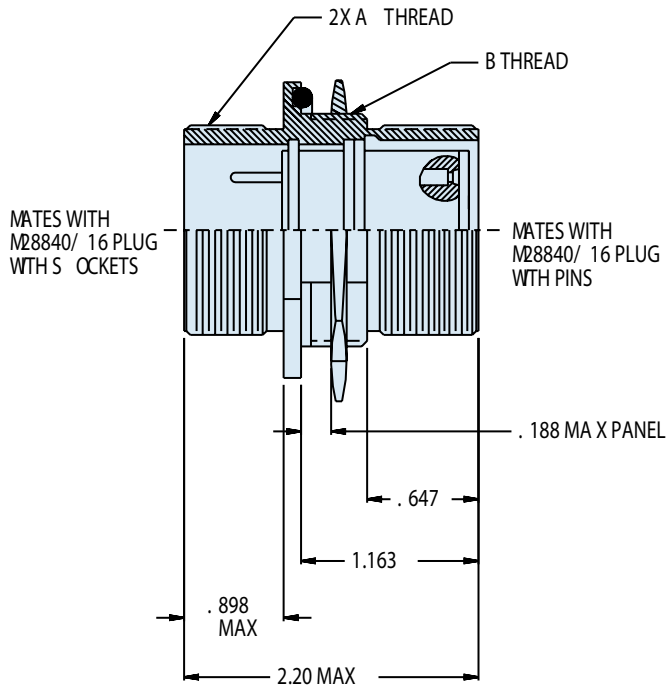
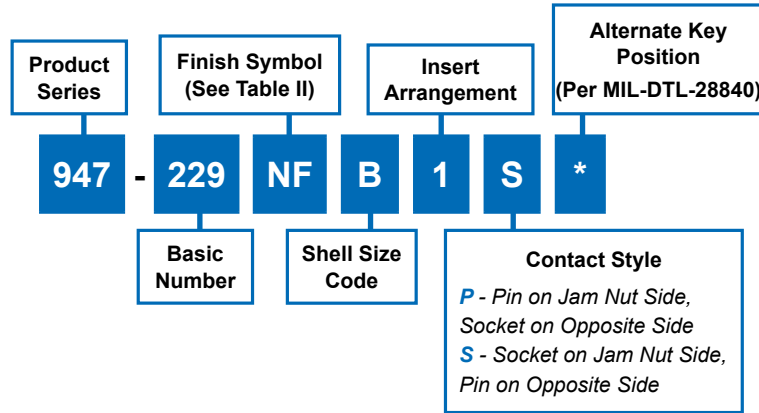
MIL-DTL-
28840

B

Symbol	Material	Finish Description
NF	Aluminum	Cadmium O.D. over Electroless Nickel
ZN		Zinc Nickel
MT		Nickel-PTFE, 1000 Hour Grey™
Z1	316 Type Stainless Steel	Passivate
ZU		Black Cadmium Olive Drab over Nickel

Military Shell Size	Shell Size	Insert Arrangement Dash Number	A Thread Class 2A	E BSC	F Max.	G Dia. Max.
A	11	A-1	.750-.1P-.2L-D.S.	.750	1.039	.130
B	13	B-1	.875-.1P-.2L-D.S.	.843	1.154	
C	15	C-1	1.062-.1P-.2L-D.S.	.968	1.274	
D	17	D-1	1.125-.1P-.2L-D.S.	1.015	1.399	
E	19	E-1	1.312-.1P-.2L-D.S.	1.140	1.524	
F	23	F-1	1.500-.1P-.2L-D.S.	1.281	1.734	
G	25	G-1	1.625-.1P-.2L-D.S.	1.392	1.834	.157
H	29	H-1	1.812-.1P-.2L-D.S.	1.568	2.154	
J	33	J-1	2.000-.1P-.2L-D.S.	1.734	2.344	

B



947-229
Bulkhead Feedthrough Receptacle
 Jam Nut Mount
 MIL-DTL-28840 Type



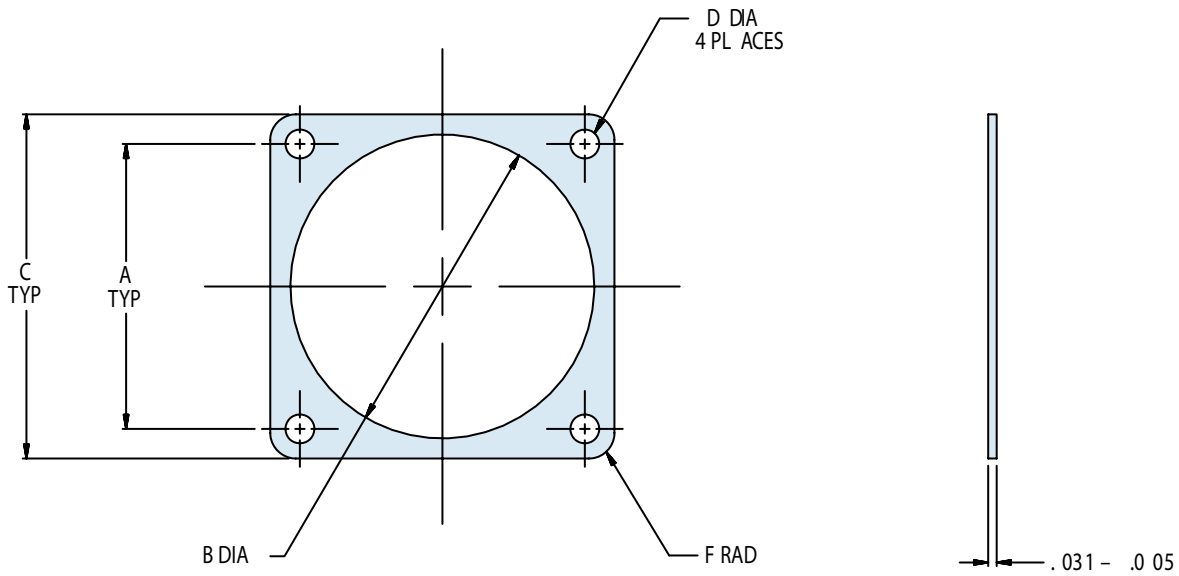
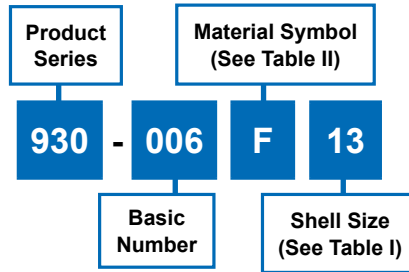
MIL-DTL-
28840

B

Symbol	Material	Finish Description
NF	Aluminum	Cadmium O.D. over Electroless Nickel
ZN		Zinc Nickel
MT		Nickel-PTFE, 1000 Hour Grey™
Z1	316 Type Stainless Steel	Passivate
ZU		Black Cadmium Olive Drab over Nickel

Military Shell Size	Shell Size	Insert Arrangement Dash Number	A Thread Class 2A	B Thread Class 2A	C Flats	D Dia.	E Hex	F Thread Flat
A	11	A-1	.750-.1P-.2L-D.S.	.875-20 UNEF	1.264	1.358	1.062	.836
B	13	B-1	.875-.1P-.2L-D.S.	1.000-20 UNEF	1.389	1.498	1.188	.962
C	15	C-1	1.062-.1P-.2L-D.S.	1.187-18 UNEF	1.577	1.671	1.375	1.149
D	17	D-1	1.125-.1P-.2L-D.S.	1.250-18 UNEF	1.639	1.733	1.438	1.212
E	19	E-1	1.312-.1P-.2L-D.S.	1.437-18 UNEF	1.827	1.921	1.625	1.399
F	23	F-1	1.500-.1P-.2L-D.S.	1.625-18 UNF	2.014	2.108	1.812	1.587
G	25	G-1	1.625-.1P-.2L-D.S.	1.750-18 UNS	2.139	2.233	2.000	1.708
H	29	H-1	1.812-.1P-.2L-D.S.	1.937-16 UN	2.327	2.425	2.188	1.898
J	33	J-1	2.000-.1P-.2L-D.S.	2.125-16 UN	2.514	2.608	2.375	2.086

B



Symbol	Material Description
F	Fluorosilicone
M	Silver Plated Glass Filled Silicone
N	Neoprene

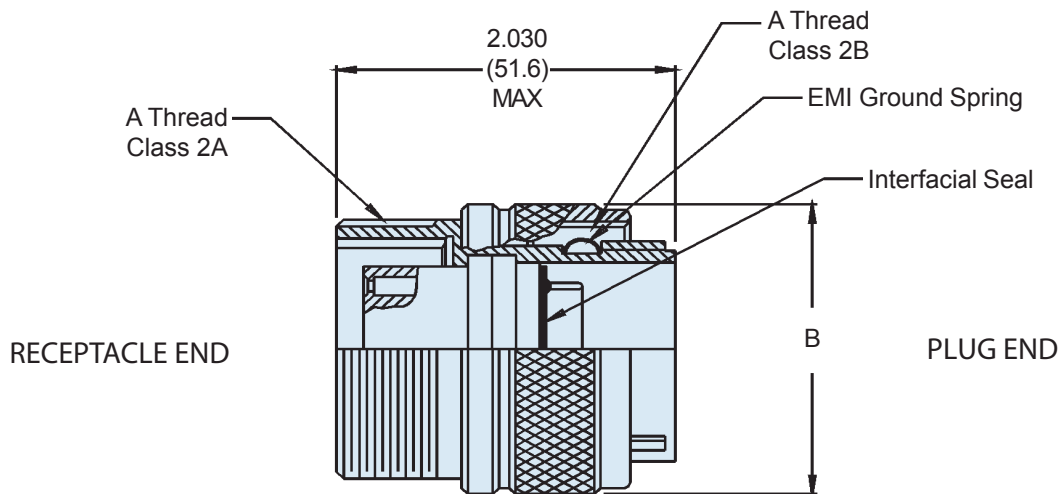
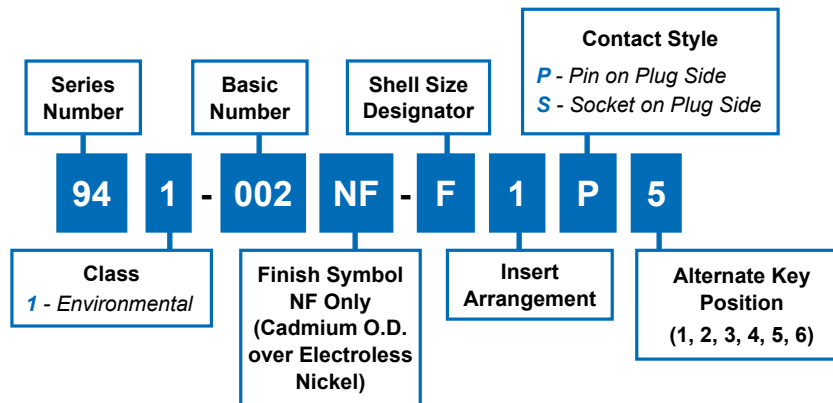
Shell Size	A ± .010	B Dia. +.016 -.000	C .016 -.000	D Dia. ± .010	F Radius ± .010
11	.750	.750	1.023	.120	.141
13	.843	.875	1.138		
15	.968	1.062	1.258		
17	1.015	1.125	1.383		
19	1.140	1.312	1.508		
23	1.281	1.500	1.718	.147	.188
25	1.392	1.625	1.818		
29	1.568	1.875	2.138		
33	1.734	2.062	2.328		

941-002
Sav-Con® Environmental Connector Saver
 for MIL-DTL-28840 Connectors



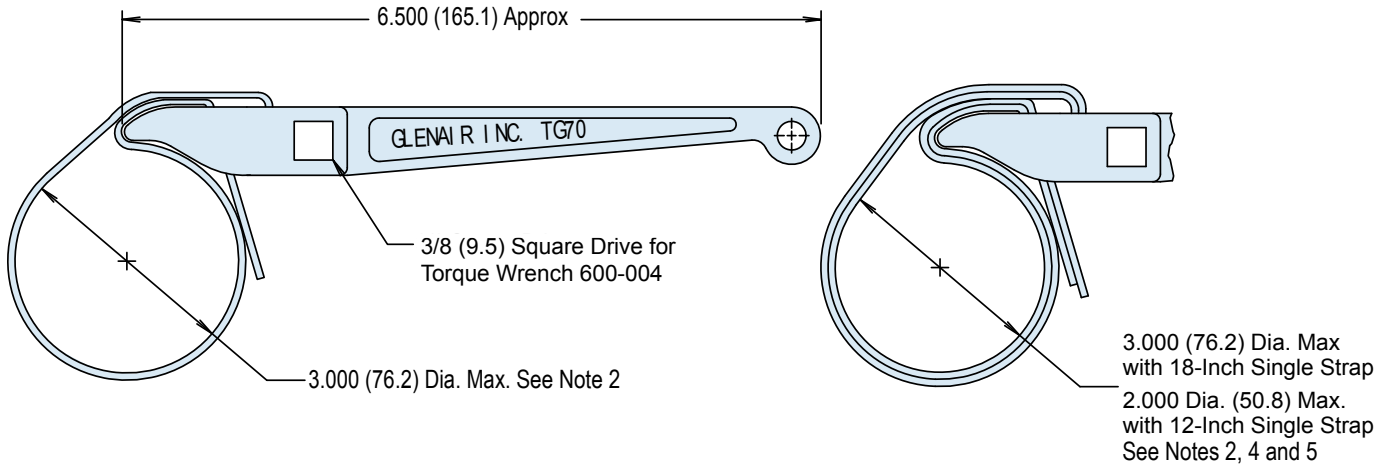
MIL-DTL-28840

B



Insert Arrangement Dash Number	Shell Size	A Thread Class 2*	B Max	Contact Size 20 Quantity
A-1	11	.750-.1P-.2L-D.S.	1.028 (26.1)	7
B-1	13	.875-.1P-.2L-D.S.	1.141 (29.0)	12
C-1	15	1.062-.1P-.2L-D.S.	1.263 (32.1)	21
D-1	17	1.125-.1P-.2L-D.S.	1.387 (35.2)	31
E-1	19	1.312-.1P-.2L-D.S.	1.513 (38.4)	42
F-1	23	1.500-.1P-.2L-D.S.	1.703 (43.3)	64
G-1	25	1.625-.1P-.2L-D.S.	1.825 (46.4)	92
H-1	29	1.812-.1P-.2L-D.S.	2.143 (54.4)	121
J-1	33	2.000-.1P-.2L-D.S.	2.329 (59.2)	155

B



Basic Part Number	Torque Wrench (Omit for None)
TG70 - 1 - 18	

Strap Length in Inches (See Notes 2 and 4)
 Lengths Available: 12, 18, 24 and 36-Inch Only
 Standard length is 12 Inches,
 Omit Dash Number for Standard

- ### APPLICATION NOTES
1. These wrenches are made of the following materials:
 Wrench Handle - Aluminum Alloy/Nickel Plate.
 Wedge - Stainless Steel/Passivated.
 Strap - Impregnated Fabric. Straps are 1/2 inch (12.7) in width.
 2. Replacement straps are available. Specify part number G70515-xx for 12, 18, 24 or 36-inch strap. 24 and 36 inch for double wrap.
 3. Metric dimensions (mm) are indicated in parentheses.
 4. Double wrap as shown for heavy duty range.
 5. Not recommended for composite coupling nuts (use 600-091 or 600-157).

VARIANCE CHART

TG-70 Strap Wrench Used with Glenair Torque Wrenches

Accessory Shell Size	Recommended Installation Torque			
	Light/Medium Duty ± 5 Inch Pounds		Heavy Duty ± 5 Inch Pounds	
	TG70 Torque	Part Torque	TG70 Torque	Part Torque
08/09	28	35	45	60
10/11	28	35	70	80
12/13	30	40	75	110 [80]
14/15	30	40	75	120 [80]
16/17	30	40	75	120 [80]
18/19	30	40	75	120 [80]
20/21	75	80	95	140 [100]
22/23	75	80	120*	140
24/25	75	80	120*	140
28			135*	150
32			150*	150
36			150*	150

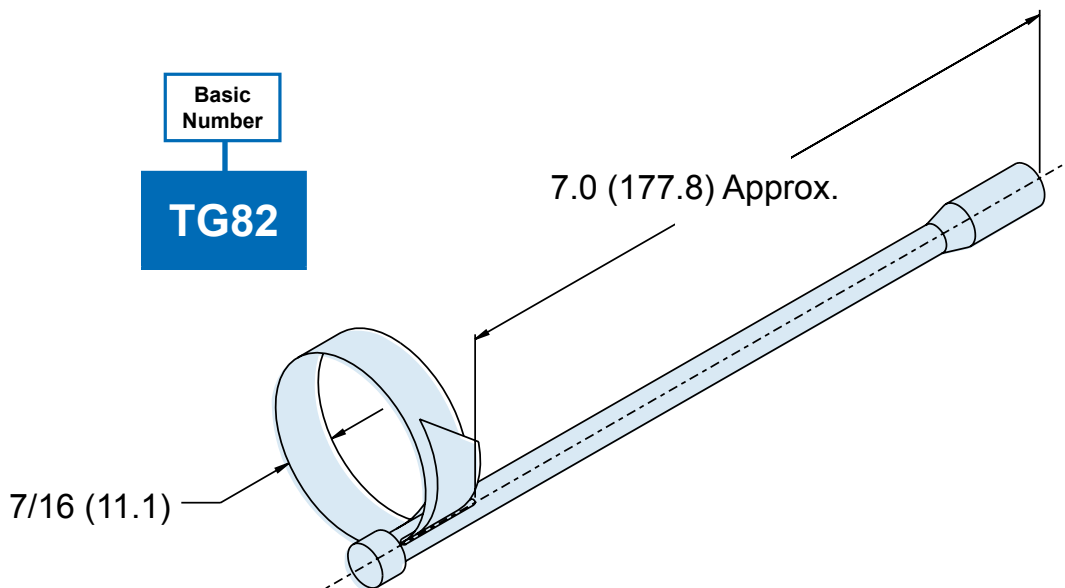
* TG70 Not Recommended For Values of 120 Inch Lbs. or Greater.

- ### VARIANCE CHART NOTES
1. Recommended installation torque is approximately 80% of MIL-C-85049 accessory thread strength values.
 2. Heavy duty installation torque values may be difficult to attain with the TG70 Strap Wrench; the values shown in brackets [] are the maximum attainable with the TG70 Strap Wrench using a single wrap.
 3. Glenair recommends using 600 series torque tools whenever possible. When torque loading exceeds 75 inch pounds, or to attain the heavy duty torque values shown, a double wrap strap provides suitable friction to achieve torque values.
 4. Glenair recommends that heavy duty torque values be directly read through the connector shell body with the use of 600-005 connectors holding tools.

TG69 and TG82
Soft Jaw Pliers and Strap Wrench Assembly Tool
 for Use with MIL-DTL-28840 Connectors



MIL-DTL-
28840



B

APPLICATION NOTES

1. Metric dimensions (mm) are in parentheses and are for reference only.
2. 2.50 (63.5) Max Capacity; Not recommended for composite coupling nuts (use 600-091 or 600-157)
3. 1/4 Inch Drive
4. The replacement strap part number is G62748-11. Consult Factory for other lengths.

TG69

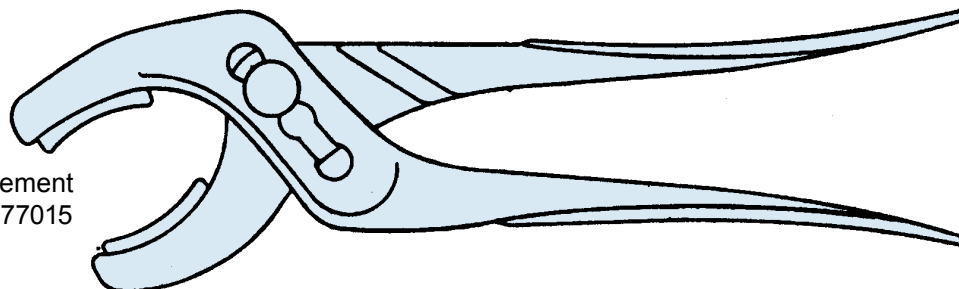
P

Basic Number

Finish

*P - Nickel Plate
(Omit for Standard
Cad/Bright Dip)*

Nylon Replacement
Inserts P/N G77015



SERIES 18

FIBER OPTICS

**Mission-Critical Interconnect Systems
for Commercial and Military Applications**



From our MIL-PRF-28876 type fiber optic connectors to our MIL-DTL-38999 type solutions, Glenair produces advanced performance fiber optic interconnection systems for every military and commercial standard. Fiber optic connectors, termini and cabling offer reduced weight, reduced size, huge bandwidth and EMI immunity— and Glenair manufactures a solution for every branch of the military and every mission-critical commercial application. For complete order information please see our fiber optic catalog or visit our website at www.glenair.com



MIL-PRF-28876 Type Fiber Optic Connection System Introduction



MIL-PRF-
28876



PRODUCT FEATURES

- Designed to Meet the General Requirements of MIL-PRF-28876
- Plugs, Wall-Mount Receptacles, and Jam-Nut Mount Receptacles Available
- Multiple Shell Sizes and Insert Arrangements, Including 2, 4, 6, 8, 18 and 31 Channel Configurations
- Various Materials and Finishes Available
- Singlemode and Multimode Capable
- Corrosion-Resistant
- Environmentally Sealed
- Same Day Availability

C

Glenair MIL-PRF-28876 Type Connectors are the Standard Fiber Optic Interconnect for Shipboard Use—from Sea to Shining Sea

The Glenair MIL-PRF-28876 Type Fiber Optic Connector

The use of fiber optics in shipboard and ship-to-shore data transmissions is growing rapidly, and the tight-tolerance MIL-PRF-28876 type interconnect has become the universal standard for Navy shipboard applications. Glenair's offering delivers all the necessary performance—from precise optical alignment, to environmental protection, corrosion resistance and weight reduction. The Glenair MIL-PRF-28876 type connector is specifically geared for upgrade and retrofit applications where extending system life-cycles and reducing cost of ownership are principle requirements. This connector uses MIL-PRF-29504/14 and /15 style contacts, also available from Glenair. For more information, or for product samples, please consult the factory or visit us at www.glenair.com.

181-040 M29504/15 Type Front Release Socket Terminus Size 16

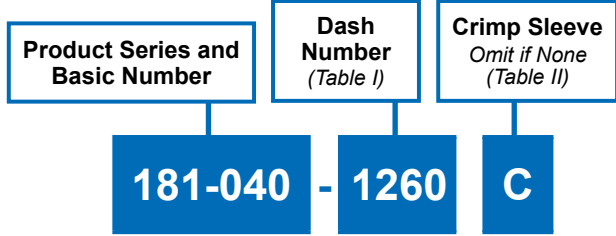


TABLE II: CRIMP SLEEVE DESIGNATOR		
Designator	Cable Diameter	Part Number
C	2.0-2.4 mm (MIL-Spec)	265-008

C

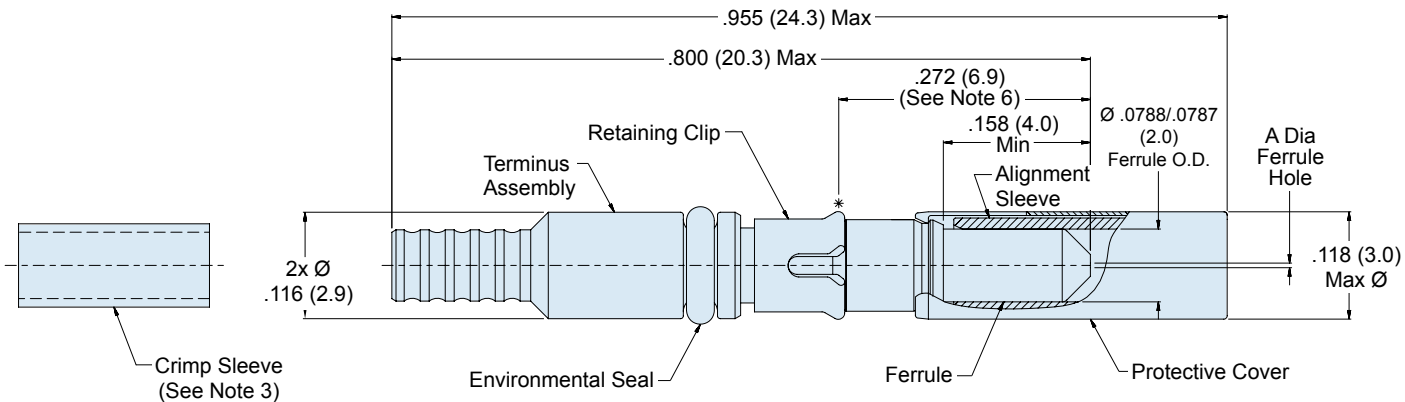


TABLE I: DASH NUMBER			
Assembly Dash Number	A Dia (Microns)	Typical Fiber Type	MIL-SPEC Type
-1255	125.5	Single Mode	N/A
-1260	126.0	Single Mode	N/A
		Multi Mode	M29504/15-4171
-1270	127.0	Multi Mode	M29504/15-4172
-1420	142.0	Multi Mode	M29504/15-4175

Consult Factory for Additional Sizes

TABLE III: TERMINUS ACCESSORIES	
Part Number	Accessory
265-010	Alignment Sleeve Assembly
182-012	Crimp Tool
182-013	Insertion Tool, Straight
182-014	Insertion Tool, 90°
182-015	Removal Tool
182-016	Alignment Sleeve Assembly Insertion/Removal Tool
182-035	Hand Polishing Tool

APPLICATION NOTES

- | | |
|--|--|
| <ol style="list-style-type: none"> 1. Assembly packaged in plastic bag and tag identified with manufacturer's name and part number 2. Material/ Finish:
Alignment Sleeve, Ferrule: Zirconia Ceramic/ N.A.
Protective cover: Spring Alloy / Nickel
Terminus Assembly: Stainless Steel / Passivate
Retaining Clip: Spring Alloy / N.A.
Seal: Fluorosilicone
Crimp Sleeve: Brass Alloy / Nickel | <ol style="list-style-type: none"> 3. Alignment Sleeve Assembly and Crimp Sleeve may be ordered separately (Tables II and III) 4. Metric dimensions (mm) are in parentheses. 5. Dummy Terminus: Part Number 181-051 6. Dimension to be measured when installed into insert equivalent fixture per MIL-PRF-29504/15 7. For use with MIL-PRF-28876 type connectors. |
|--|--|

181-039
M29504/14 Type Front Release Pin Terminus
Size 16



MIL-PRF-
28876

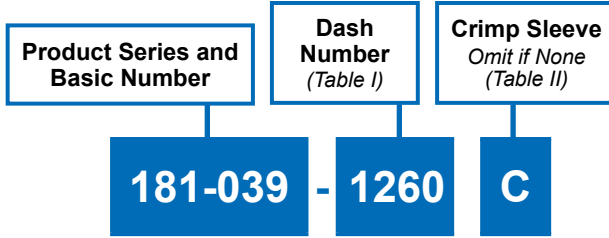


TABLE II: CRIMP SLEEVE DESIGNATOR

Designator	Cable Diameter	Part Number
C	2.0-2.4 mm (MIL-Spec)	265-008

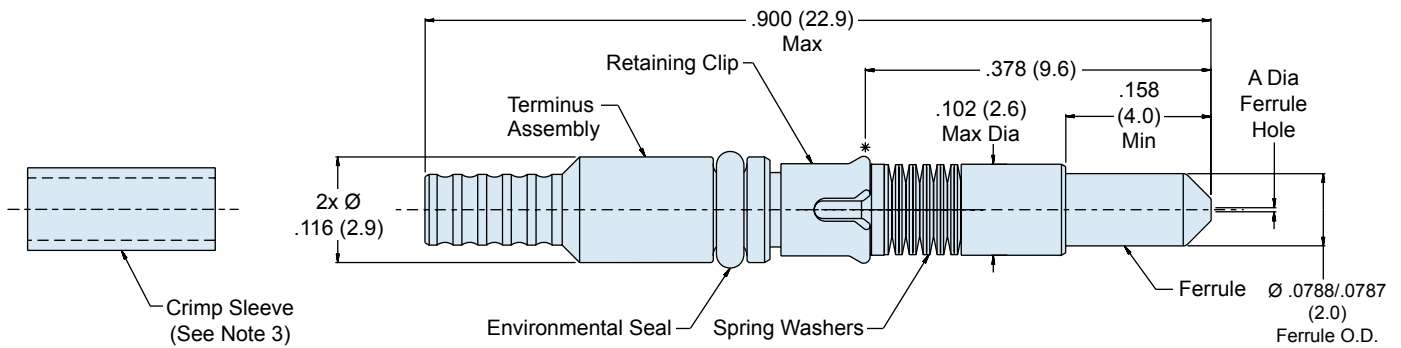


TABLE I: DASH NUMBER

Assembly Dash Number	A Dia (Microns)	Typical Fiber Type	MIL-SPEC Type
-1255	125.5	Single Mode	N/A
-1260	126.0	Single Mode	N/A
		Multi Mode	M29504/14-4131
-1270	127.0	Multi Mode	M29504/14-4132
-1420	142.0	Multi Mode	M29504/14-4135

TABLE III: TERMINUS ACCESSORIES

Part Number	Accessory
182-012	Crimp Tool
182-013	Insertion Tool, Straight
182-014	Insertion Tool, 90°
182-015	Removal Tool
182-035	Hand Polishing Tool

Consult Factory for Additional Sizes

APPLICATION NOTES

1. Assembly packaged in plastic bag and tag identified with manufacturer's name and part number.
2. Material/ Finish:
 Ferrule: Zirconia Ceramic/ N.A.
 Terminus Assembly: Stainless Steel/ Passivate
 Retaining Clip, Spring Washers: Spring Alloy / N.A.
 Seal: Fluorosilicone
 Crimp Sleeve: Brass Alloy/Nickel
3. Crimp Sleeve may be ordered separately (Table II).
4. Metric dimensions (mm) are in parentheses
5. Dummy Terminus: Part Number 181-051
6. Dimension to be measured when installed into insert equivalent fixture per MIL-PRF-29504/14
7. For use with MIL-PRF-28876 type connectors.



MIL-PRF-28876 Type Fiber Optic Connection System How to Order

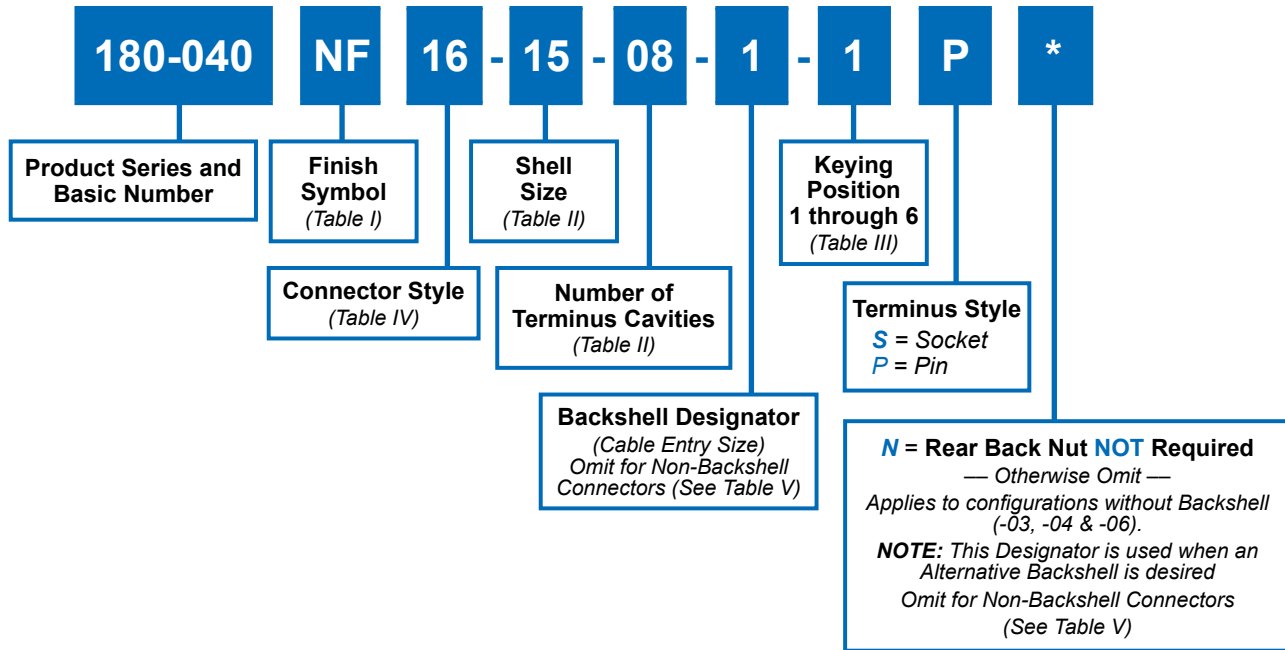


TABLE V: BACKSHELL DESIGNATOR

Backshell Designator	Max Allowable Cable Diameter by Shell Size			
	11	13	15	23
1	.250 (6.4)	.285 (7.2)	.500 (12.7)	.866 (22.0)
2	.346 (8.8)	.346 (8.8)	.250 (6.4)	1.000 (25.4)
3		.453 (11.5)	.375 (9.5)	.600 (15.2)

TABLE I: FINISH

SYM	MATERIAL	FINISH DESCRIPTION
NF	Aluminum	Olive Drab Chromate over Cadmium, over Electroless Nickel (500 Hrs Salt Spray)

APPLICATION NOTES

- Assembly packaged in plastic bag and tag identified with manufacturer's name and part number.
- Material/ Finish:
 - External Hardware: See Table I
 - Internal Hardware: Aluminum Alloy/Chem Film, Stainless Steel/Passivate
 - Misc. Hardware: Stainless Steel/Passivate
 - Insert: Aluminum Alloy/Anodize or High-Grade Thermoplastic, Mfr's Option
 - Seals: Fluorosilicone
 - Consult factory for alternate materials and finishes.
- Backnut retained using thread-locking compound.
- Termini (Not Supplied with Connector):
 - M29504/14 - Pin terminus, MIL-Spec
 - M29504/15 - Socket Terminus, MIL-Spec
 - M29504/3 - Dummy Terminus, MIL-Spec
 - 181-039 - Pin Terminus, MIL-Spec Style
 - 181-040 - Socket terminus, MIL-Spec Style
 - 181-051 - Dummy Terminus MIL-Spec Style
- Consult factory for appropriate termination and assembly tools/procedures.
- Operating Temperature Range: -55° to +125°C.
- Metric dimensions (mm) are indicated in parentheses.

MIL-PRF-28876 Type Fiber Optic Connection System How to Order



MIL-PRF-28876

Shell Size	Keying Position	A°	B°	C°	D°
11 and 13	1	95	141	208	236
	2	113	156	182	292
	3	90	145	195	252
	4	53	156	220	255
	5	119	146	176	298
	6	51	141	184	242
15 and 23	1	80	142	196	293
	2	135	170	200	310
	3	49	169	200	244
	4	66	140	200	257
	5	62	145	180	280
	6	79	153	197	272

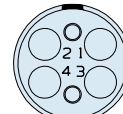
Shell Size	Number of Terminus Cavities
11	02
13	04
15	06 or 08
23	18 or 31

Connector Type	Backshell Type	Connector Style	MIL-Spec Style Slash Number
Wall Mount Receptacle	None	03	M28876/1
	Straight	13	M28876/2
	45°	23	M28876/3
	90°	33	M28876/4
In-Line Receptacle	Straight	15	M28876/5
Plug	None	06	M28876/6
	Straight	16	M28876/7
	45°	26	M28876/8
	90°	36	M28876/9
Jam Nut Receptacle	None	04	M28876/11
	Straight	14	M28876/12
	45°	24	M28876/13
	90°	34	M28876/14

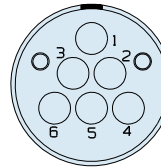
Pin Insert Face



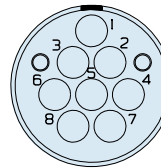
Size 11-02



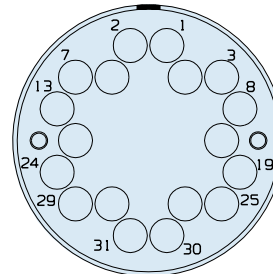
Size 13-04



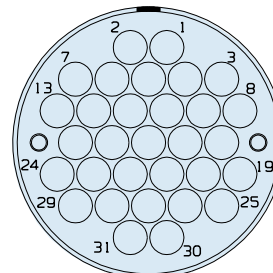
Size 15-06



Size 15-08



Size 23-18

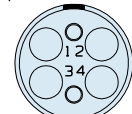


Size 23-31

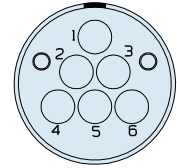
Socket Insert Face



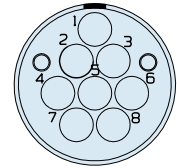
Size 11-02



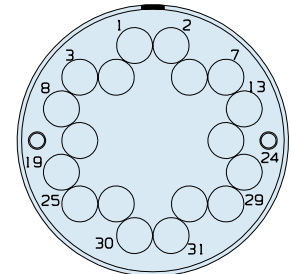
Size 13-04



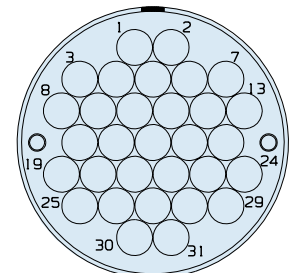
Size 15-06



Size 15-08



Shell Size 23-18



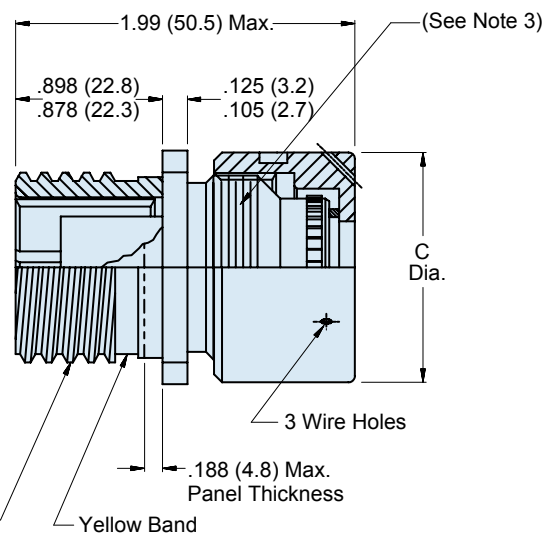
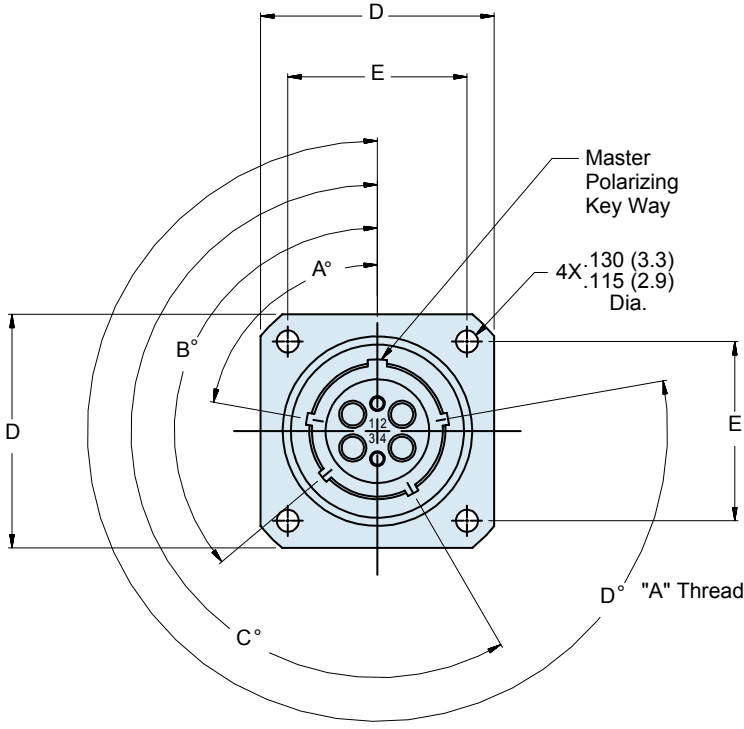
Size 23-31



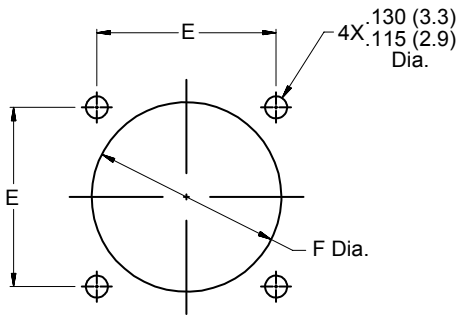


180-040 (-03, -13, -23, -33)
MIL-PRF-28876 Type Wall Mount Receptacle Connector
 for use with MIL-PRF-29504/14 and /15 Termini

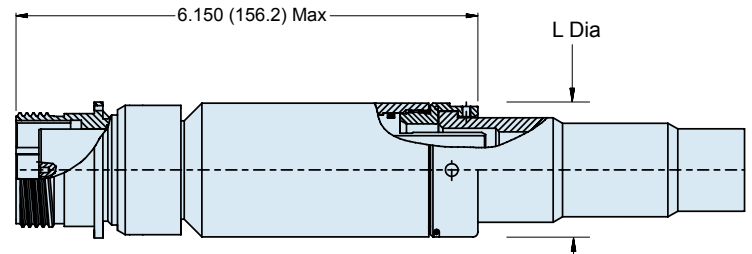
C



03 - WALL MOUNT RECEPTACLE WITHOUT BACKSHELL



RECOMMENDED PANEL CUT-OUT



13 - WALL MOUNT RECEPTACLE WITH STRAIGHT BACKSHELL

TABLE VI: SHELL SIZE						
Shell Size	D ± .020 (0.5)	E	F Dia ± .005 (0.1)	C Dia Max	L Dia Max	"A" Thread Size .1P-.2L-DS
11	1.022 (26.0)	.750 (19.1)	.812 (20.6)	.960 (24.4)	.960 (24.4)	.750 (19.05)
13	1.137 (28.9)	.843 (21.4)	.937 (23.8)	1.085 (27.6)	1.085 (27.6)	.875 (22.2)
15	1.257 (31.9)	.968 (24.6)	1.124 (28.5)	1.255 (31.9)	1.255 (31.9)	1.062 (26.9)
23	1.718 (43.6)	1.281 (32.5)	1.562 (39.7)	1.695 (43.1)	1.763 (44.8)	1.500 (38.1)

180-040 (-06, -16, -26, -36)
MIL-PRF-28876 Type Plug Connector
 for use with MIL-PRF-29504/14 and /15 Termini



MIL-PRF-
28876

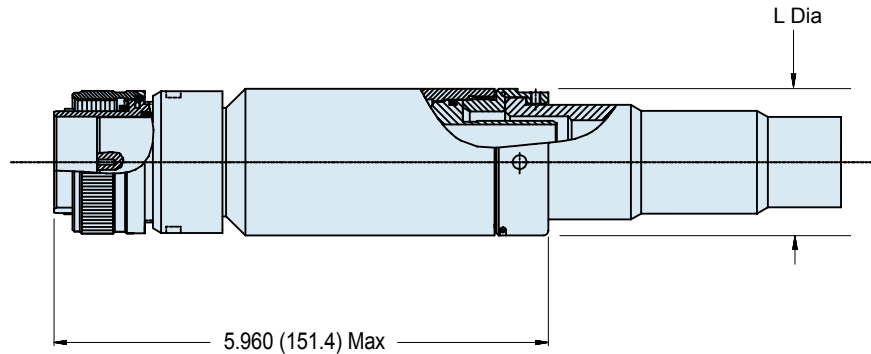
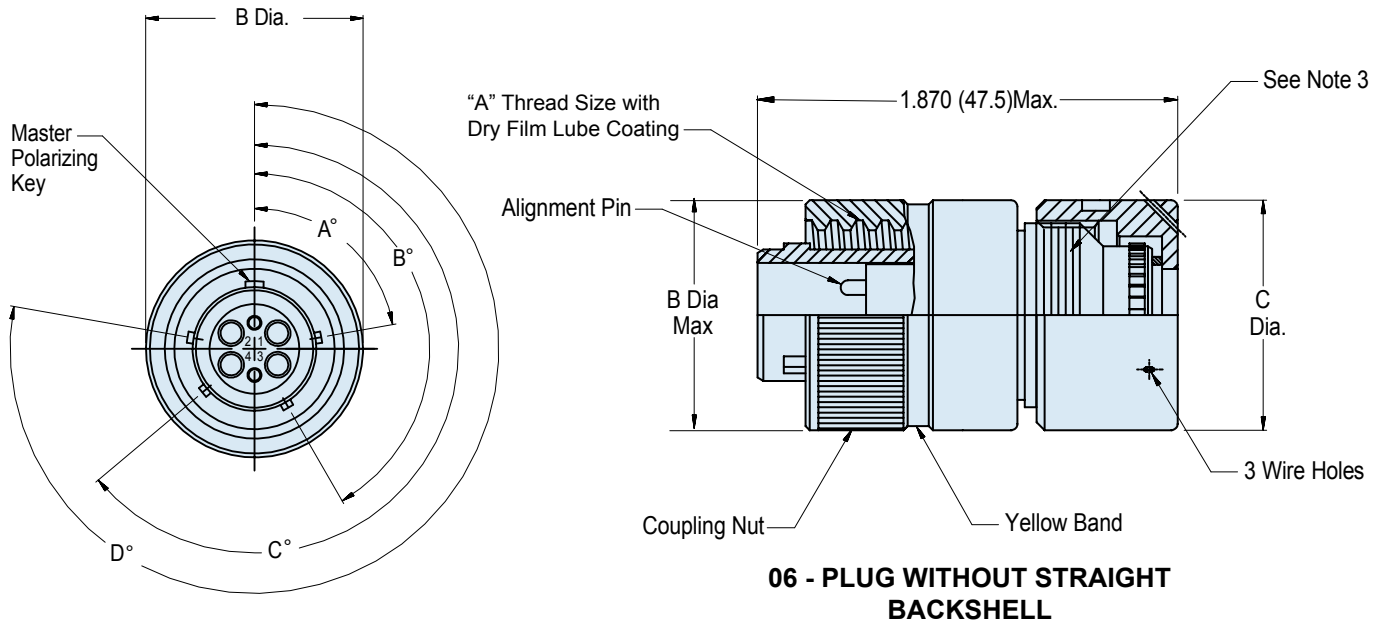
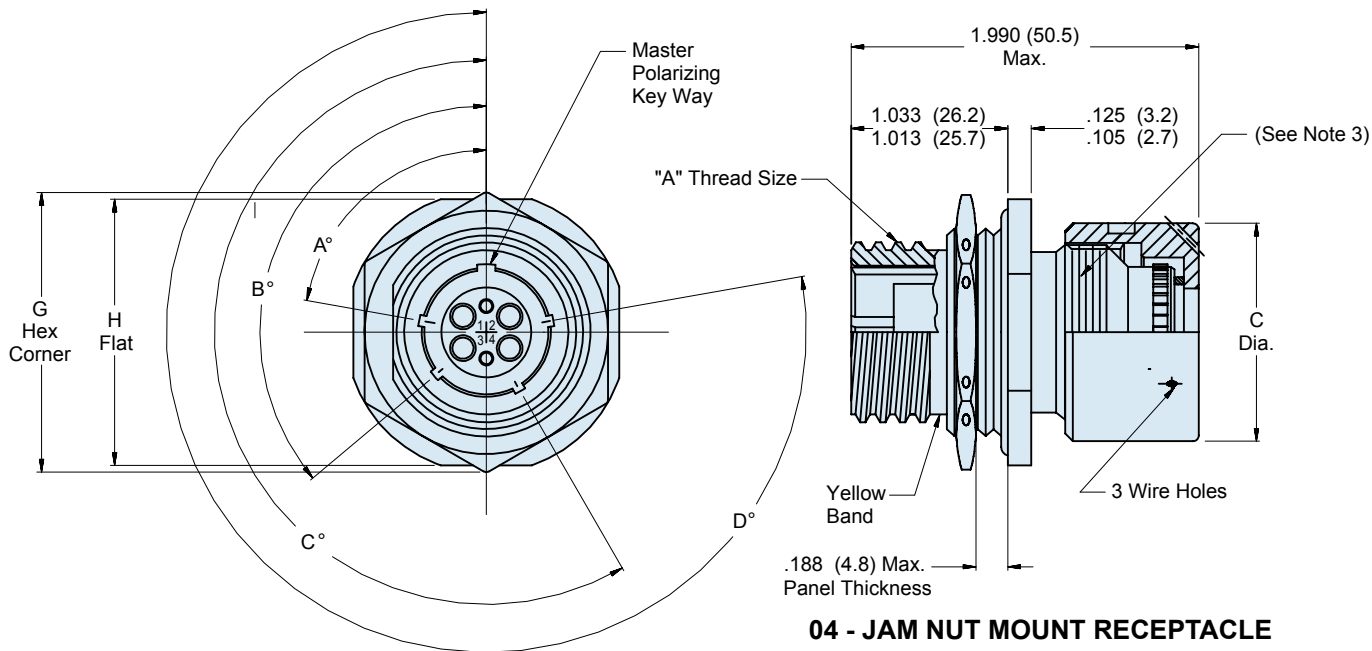
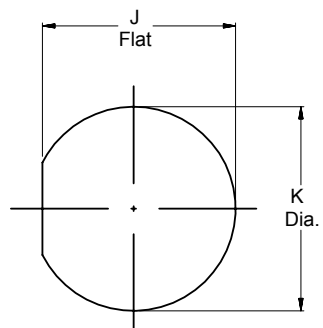


TABLE VI: SHELL SIZE

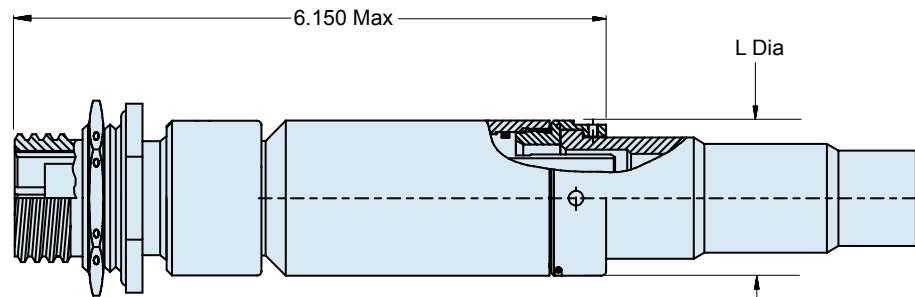
Shell Size	B Dia Max	C Dia Max	L Dia Max	"A" Thread Size .1P-.2L-DS
11	1.028 (26.1)	.960 (24.4)	.960 (24.4)	.750 (19.05)
13	1.141 (29.0)	1.085 (27.6)	1.085 (27.6)	.875 (22.2)
15	1.263 (32.1)	1.255 (31.9)	1.255 (31.9)	1.062 (26.9)
23	1.705 (43.3)	1.695 (43.1)	1.763 (44.8)	1.500 (38.1)



04 - JAM NUT MOUNT RECEPTACLE WITHOUT BACKSHELL



RECOMMENDED PANEL CUTOUT



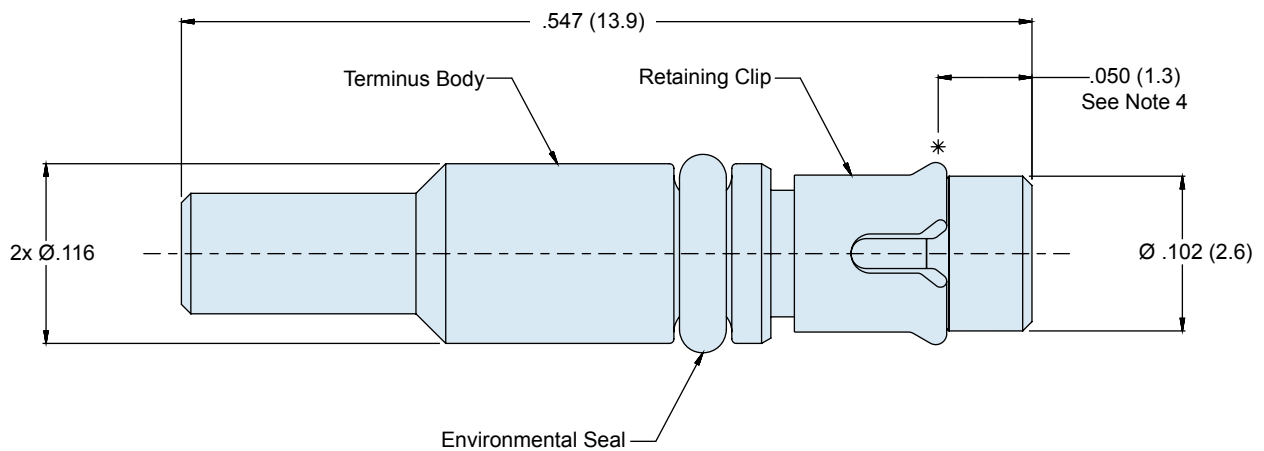
14 - JAM NUT MOUNT RECEPTACLE WITH STRAIGHT BACKSHELL
 (Consult Factory for 45° and 90° Backshell Versions)

TABLE VI: SHELL SIZE							
Shell Size	G Max	H ± .010 (0.3)	J ± .005 (0.1)	K Dia ± .005 (0.1)	C Dia Max	L Dia Max	"A" Thread Size .1P-.2L-DS
11	1.290 (32.8)	1.262 (32.1)	.848 (21.5)	.885 (22.5)	.960 (24.4)	.960 (24.4)	.750 (19.05)
13	1.435 (35.9)	1.387 (35.2)	.937 (24.7)	1.010 (25.7)	1.085 (27.6)	1.085 (27.6)	.875 (22.2)
15	1.650 (41.9)	1.575 (40.0)	1.160 (29.5)	1.198 (30.4)	1.255 (31.9)	1.255 (31.9)	1.062 (26.9)
23	2.093 (53.2)	2.014 (51.2)	1.598 (40.6)	1.635 (41.5)	1.695 (43.1)	1.763 (44.8)	1.500 (38.1)

181-051
M29504/3 Type Dummy Terminus
Size 16



MIL-PRF-
28876

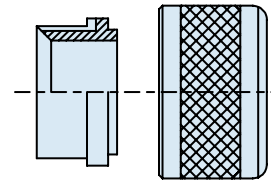
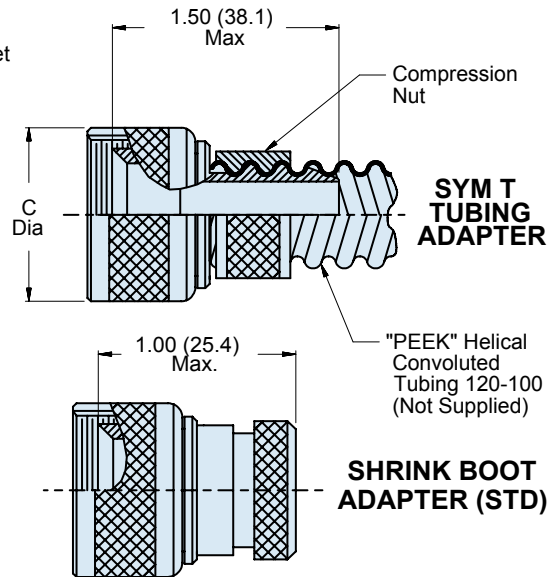
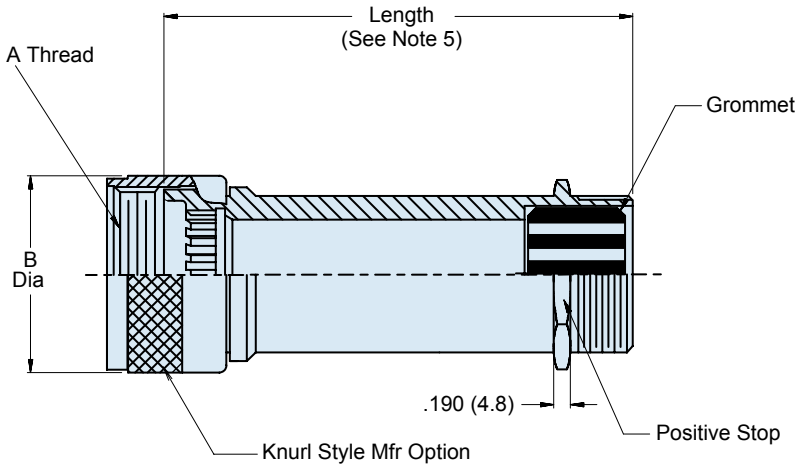
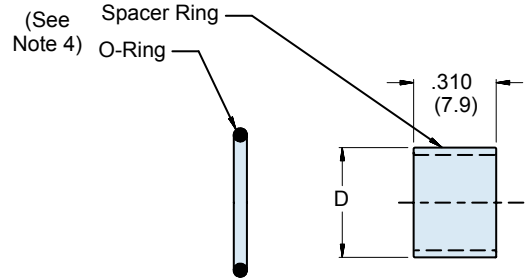
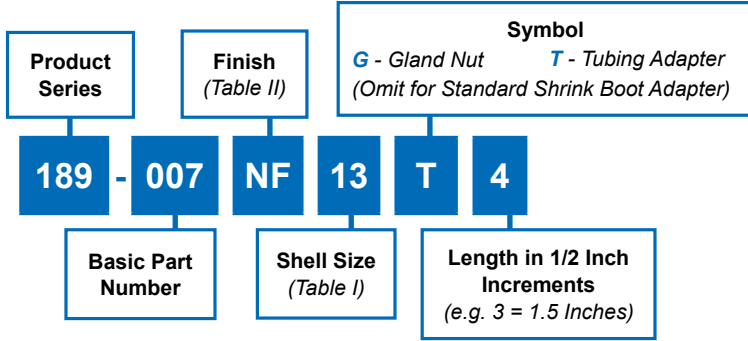


APPLICATION NOTES

1. Assembly packaged in plastic bag and tag identified with manufacturer's name and part number and date code.
2. Material/ Finish:
 Terminus Body: Stainless Steel/Passivate
 Retaining Clip: Spring Alloy/Nickel
 Seal: Fluorosilicone
3. Dummy terminus is designed to meet the general requirements of MIL-PRF-29504/3.
4. Dimension to be measured when installed into insert equivalent fixture per MIL-PRF-29504/3
5. For use with MIL-PRF-28876 type connectors.

TABLE III: TERMINUS ACCESSORIES

Part Number	Accessory
182-013	Insertion Tool, Straight
182-014	Insertion Tool, 90°
182-015	Removal Tool



APPLICATION NOTES

1. Assembly identified with manufacturer's name and P/N, space permitting.
2. Glenair 600 series Backshell assembly tools are recommended for assembly and installation.
3. Material/ Finish:
Adapters, Coupling Nuts, Ferrule,
Compression Nut, Spacer Ring- Al Alloy
Grommet- Fluorosilicone/ N.A.
O-Ring- Fluorosilicone/ N.A.
4. Spacer Ring and O-Ring are packaged loose and must be installed with connector at the time of assembly. The spacer is utilized to retain the Terminus Insert
5. Standard minimum order is 1.5 inch consult factory for shorter length.
6. Metric dimensions (mm) are indicated in parentheses.

189-007
Fiber-Con Backshell
for MIL-PRF-28876 Connectors



MIL-PRF-
28876

TABLE I: SHELL SIZE

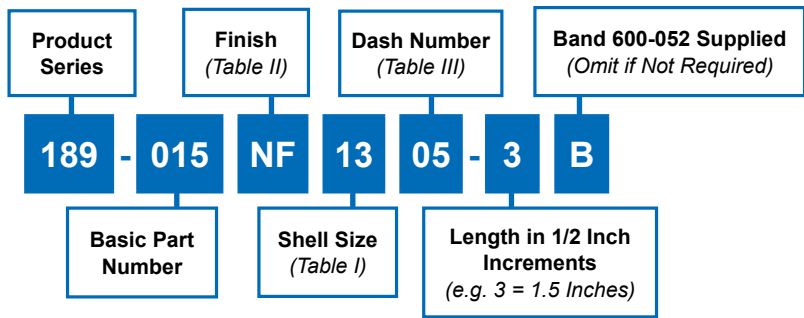
Shell Size	Designator (Ref)	A Thread Class 2B	B Max	C Max	D Max	Conduit Size	No. of Holes
11	A	3/4 - 20 UNEF	1.028 (26.1)		.410 (10.4)	12	2
13	B	7/8 - 20 UNEF	1.141 (29.0)	1.120 (28.4)	.532 (13.5)	16	4
15	C	1 - 20 UNEF	1.263 (32.1)	1.340 (34.0)	.710 (18.0)	24	8

TABLE II: FINISH

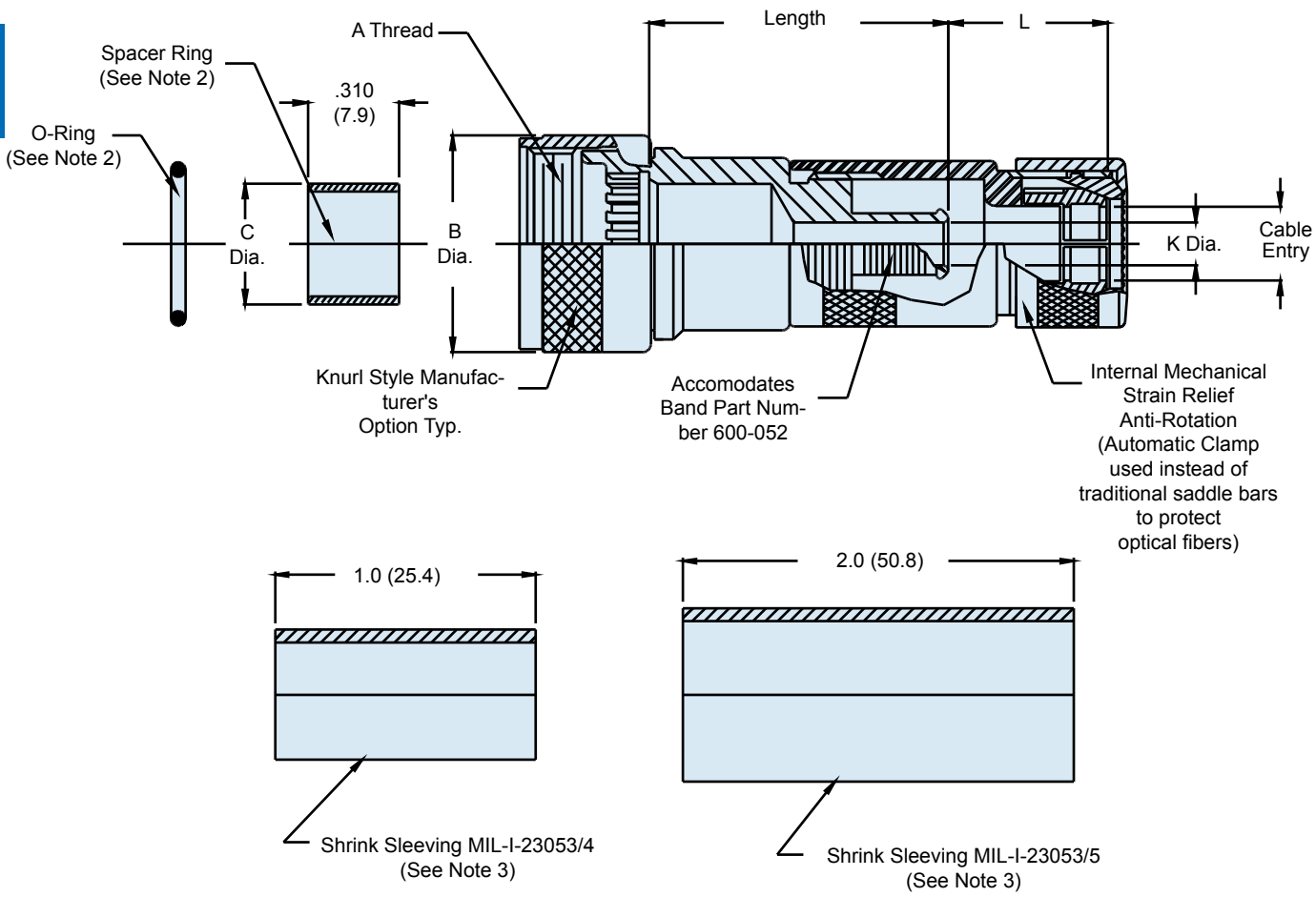
SYM	MATERIAL	FINISH
NF	Aluminum	Cadmium/Olive Drab over Electroless Nickel (500 Hr. Salt Spray)
B	Aluminum	Cadmium Plate/Olive Drab
J	Aluminum	Gold Iridite over Cadmium Plate over Nickel
N	Aluminum	Cadmium Plate/Olive Drab over Nickel
M	Aluminum	Electroless Nickel
T	Aluminum	Cadmium Plate/Bright Dip over Nickel



189-015
Environmental Banding Backshell
 for Multichannel M85045 Shipboard Fiber Optic Cable
 for Use with MIL-PRF-28876 or Glenair 180-040 Connectors



C



189-015
Environmental Banding Backshell
 for Multichannel M85045 Shipboard Fiber Optic Cable
 for Use with MIL-PRF-28876 or Glenair 180-040 Connectors



MIL-PRF-
28876

TABLE I: SHELL SIZE					
Shell Size	Designator (Ref)	A Thread Class 2B	B Dia Max	C Dia Max	Max Dash Number
11	A	3/4 -20 UNEF	1.028 (26.1)	.410 (10.4)	05
13	B	7/8 -20 UNEF	1.141 (29.0)	.532 (13.5)	05
15	C	1 -20 UNEF	1.263 (32.1)	.710 (18.0)	07
23	F	1-7/16 -18 UNEF	1.703 (43.3)	1.116 (28.3)	13

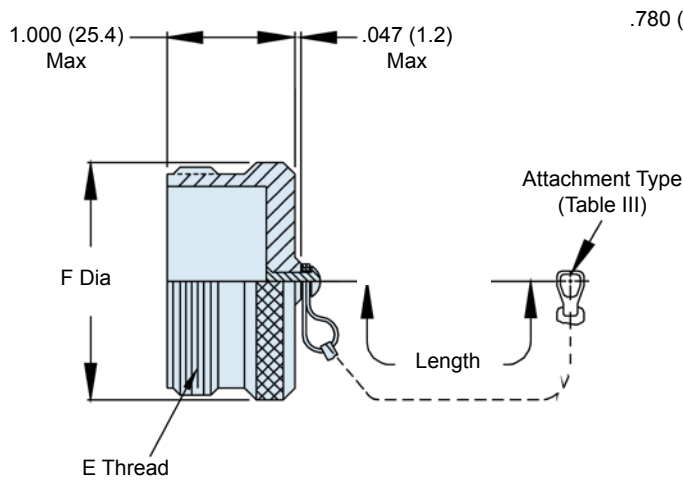
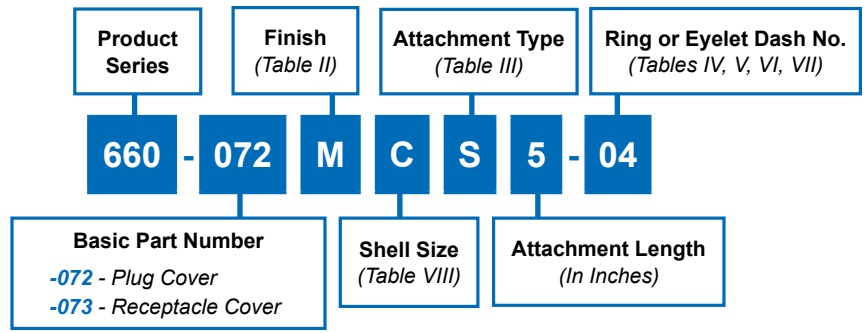
TABLE I: CABLE ENTRY AND SHRINK SLEEVE DASH NUMBER								
Dash No.	Clamp Size	Cable Size Maximum	K Diameter $\pm .005$ (0.1)	L Max	Dash No. MIL-I-2305/4 Shrink Sleeve	Dash No. MIL-I-23053/5 Shrink Sleeve	Cable Entry	
							Minimum	Maximum
05	12	.280 (7.1)	.312 (7.9)	1.110 (28.2)	-203-0	-107-0	.203 (5.2)	.375 (9.5)
07	16	.395 (10.0)	.438 (11.1)	1.210 (30.7)	-204-0	-108-0	.328 (8.3)	.500 (12.7)
09	20	.510 (13.0)	.562 (14.3)	1.210 (30.7)	-204-0	-109-0	.452 (11.5)	.625 (15.9)
11	24	.621 (15.8)	.688 (17.5)	1.210 (30.7)	-205-0	-106-0	.515 (13.1)	.750 (19.1)
13	28	.736 (18.7)	.812 (20.6)	1.360 (34.5)	-205-0	-110-0	.640 (16.3)	.875 (22.2)

TABLE II: FINISH		
SYM	MATERIAL	FINISH
M	Aluminum	Electroless Nickel
NF	Aluminum	Cadmium O.D. Over Electroless Nickel (500-Hr. Salt Spray)

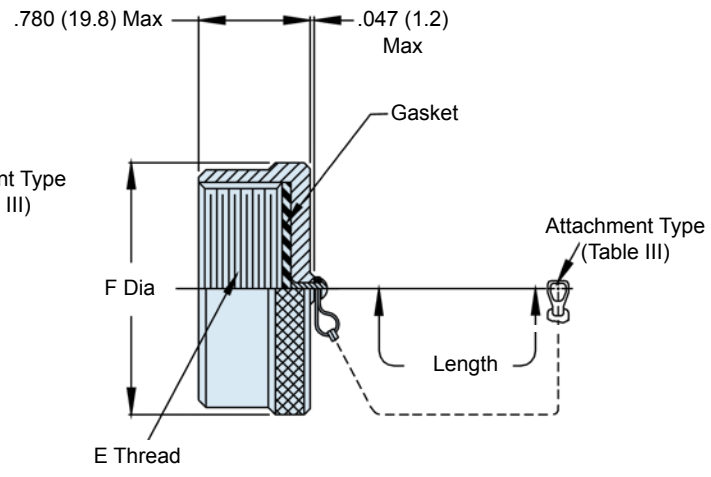
APPLICATION NOTES

- Material/ Finishes:
 Adapter, Coupling Nut – Aluminum Alloy/See Table II
 Clamp Components – Ryton R4XT-Black; Ultem 1000-Natural
 Anti-Rotation Device – Torlon 4203L-Natural
 O-Ring – Fluorosilicone/ N.A.
- Spacer Ring and O-Ring are packed loose and must be installed with connector at time of assembly. The Spacer is utilized to retain the Terminus Insert.
- MIL-I-23053/4 & 5 Shrink Sleeving are packed loose in a plastic bag. MIL-I-2305/4 Shrink Sleeving to be heat shrunk over rear of Adapter before MIL-I-23053/5 Shrink Sleeving.
- Metric Dimensions (mm) are indicated in parentheses.

660-072 and 660-073 MIL-PRF-28876 Type Threaded Protective Covers



660-072 Plug Cover
MIL-PRF-28876/10 Style



660-073 Receptacle Cover
MIL-PRF-28876/15 Style

TABLE I: CONNECTOR SHELL SIZE			
Designator	Shell Size (Ref)	A Thread	B Dia Max
A	11	.750-.1P-.2L-DS	1.028 (26.1)
B	13	.875-.1P-.2L-DS	1.141 (29.0)
C	15	1.062-.1P-.2L-DS	1.263 (32.1)
D	17	1.125-.1P-.2L-DS	1.387 (35.2)
E	19	1.312-.1P-.2L-DS	1.513 (38.4)
F	23	1.500-.1P-.2L-DS	1.703 (43.5)
G	25	1.625-.1P-.2L-DS	1.825 (46.4)
H	29	1.812-.1P-.2L-DS	2.143 (54.4)
J	33	2.000-.1P-.2L-DS	2.329 (59.2)

TABLE II: FINISH		
SYM	MATERIAL	FINISH
C	Aluminum	Black Anodize
M	Aluminum	Electroless Nickel (Coupling Nut Electrodeposited)
NF	Aluminum	Olive Drab Cadmium over Electroless Nickel
ZN	Aluminum	Zinc-Nickel/Olive Drab over Electroless Nickel
Z1	Stainless Steel	Passivate

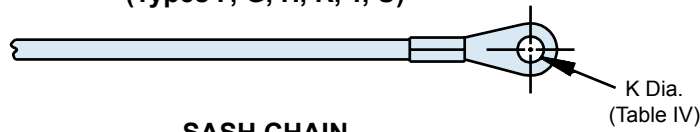
660-072 and 660-073
MIL-PRF-28876 Typer
Threaded Protective Covers



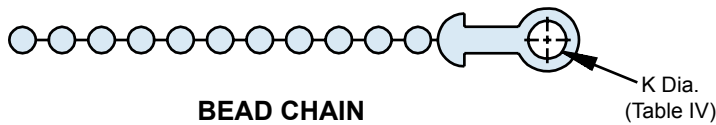
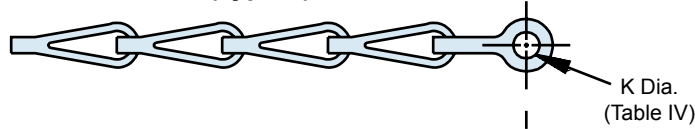
MIL-PRF-
28876

C

ROPE
(Types F, G, H, R, T, U)

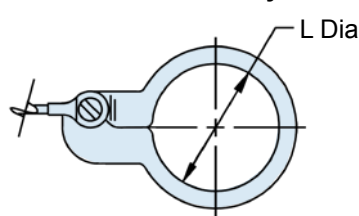


SASH CHAIN
(Type S)

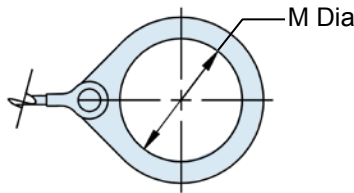


BEAD CHAIN
(Type D)

SPLIT RING - Style C



SOLID RING - Style B



SOLID RING - Style A

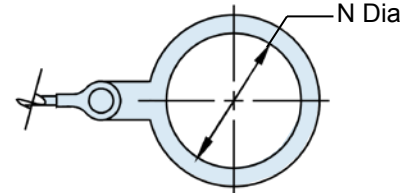


TABLE V: SPLIT RING

Dash No.	L Dia ±.015 (4.0)	Dash No.	L Dia ±.015 (4.0)
50	.425 (10.8)	74	1.625 (41.3)
52	.485 (12.3)	76	1.750 (44.5)
54	.640 (16.3)	78	1.220 (31.0)
56	.750 (19.1)	80	1.980 (50.3)
58	.890 (22.6)	82	2.060 (52.3)
60	1.015 (25.8)	84	2.235 (56.8)
62	1.095 (27.8)	86	2.310 (58.7)
64	1.130 (28.7)	88	2.475 (62.9)
66	1.250 (31.8)	90	2.655 (67.4)
68	1.350 (34.3)	92	2.810 (71.4)
70	1.390 (35.3)	94	3.045 (77.3)
72	1.485 (37.7)		

TABLE VI: SOLID RING STYLE B

Dash No.	M Dia ±.015 (4.0)	Dash No.	M Dia ±.015 (4.0)
08	.468 (11.9)	24	1.484 (37.7)
10	.593 (15.1)	25	1.577 (40.1)
12	.718 (18.2)	27	1.640 (41.7)
13	.765 (19.4)	28	1.687 (42.8)
14	.844 (21.4)	29	1.765 (44.8)
15	.890 (22.6)	30	1.890 (48.0)
16	.968 (24.6)	31	1.953 (49.6)
17	1.015 (25.8)	32	1.968 (50.0)
18	1.093 (27.8)	33	2.077 (52.8)
19	1.140 (29.0)	35	2.140 (54.4)
20	1.203 (30.6)	36	2.187 (55.5)
21	1.265 (32.1)	40	2.406 (61.1)
22	1.343 (34.1)	44	2.656 (67.5)
23	1.453 (36.9)	48	3.031 (77.0)

TABLE VII: SOLID RING STYLE A

Dash No.	N Dia ±.015 (4.0)	Dash No.	N Dia ±.015 (4.0)
095	.312 (7.9)	109	1.266 (32.2)
100	.391 (9.9)	209	1.312 (33.3)
101	.516 (13.1)	110	1.391 (35.3)
102	.583 (14.8)	210	1.391 (35.3)
103	.641 (16.3)	111	1.521 (38.6)
104	.708 (18.0)	211	1.536 (39.0)
105	.766 (19.5)	112	1.641 (41.7)
205	.788 (20.0)	113	1.766 (44.9)
106	.896 (22.8)	213	1.812 (46.0)
206	.907 (23.0)	114	1.891 (48.0)
107	1.016 (25.8)	214	1.938 (49.2)
207	1.025 (26.0)	115	2.078 (52.8)
108	1.141 (29.0)	116	2.406 (61.1)
308	1.188 (30.2)	117	2.510 (63.8)
208	1.203 (30.6)		

TABLE III: ATTACHMENT TYPE

Sym	Attachment Type
D	Bead Chain, Cres., Passivate
F	Wire Rope, Nylon Jacket
G	Nylon Rope
H	Wire Rope, Teflon Jacket
N	No Attachment
R	Wire Rope, PVC Jacket
S	#8 Sash Chain, Cres., Passivate
T	Wire Rope, No Jacket
U	Wire Rope, Polyurethane Jacket with Terminal

TABLE IV: EYELET

Dash No.	K Dia ±.010 (3.6)
01	.140 (3.6)
02	.182 (4.6)
03	.191 (4.9)
04	.197 (5.0)
05	.167 (4.2)
06	.125 (3.2)
07	.218 (5.5)
09	.156 (4.0)
00	No Eyelet

Metric dimensions (mm) are indicated in parenthesis.

SERIES 77

FULL NELSON

Heat Shrink Boots

Outstanding Environmental and Mechanical Protection

*“Think he’ll ever break that hold?
Nope. He’s got him in a Full Nelson!”*



Nothing conjures up the image of an unbreakable hold like a Standing Full Nelson. Properly applied, this classic Greco-Roman wrestling move is simply unbeatable. We'd like to think the same holds true for our Series 77 *Full Nelson* Environmental Shrink Boots. Properly applied, Series 77 boots provide a dependable, leak-proof seal for interconnect cable assemblies. Optional adhesive coatings on the inside of the boot provide a watertight, high-

strength bond to the cable jacket and the connector or adapter. And the Glenair shape-memory boot material formula works every time. So if you're worried about sealing effectiveness, if you want long-lasting environmental protection, if you want an ingress prevention solution that won't lose its grip after years and years of service, get a Series 77 *Full Nelson*—the environmental shrink boot with the iron grip of a championship wrestler.



Attention: Do Not Disassemble The Unit

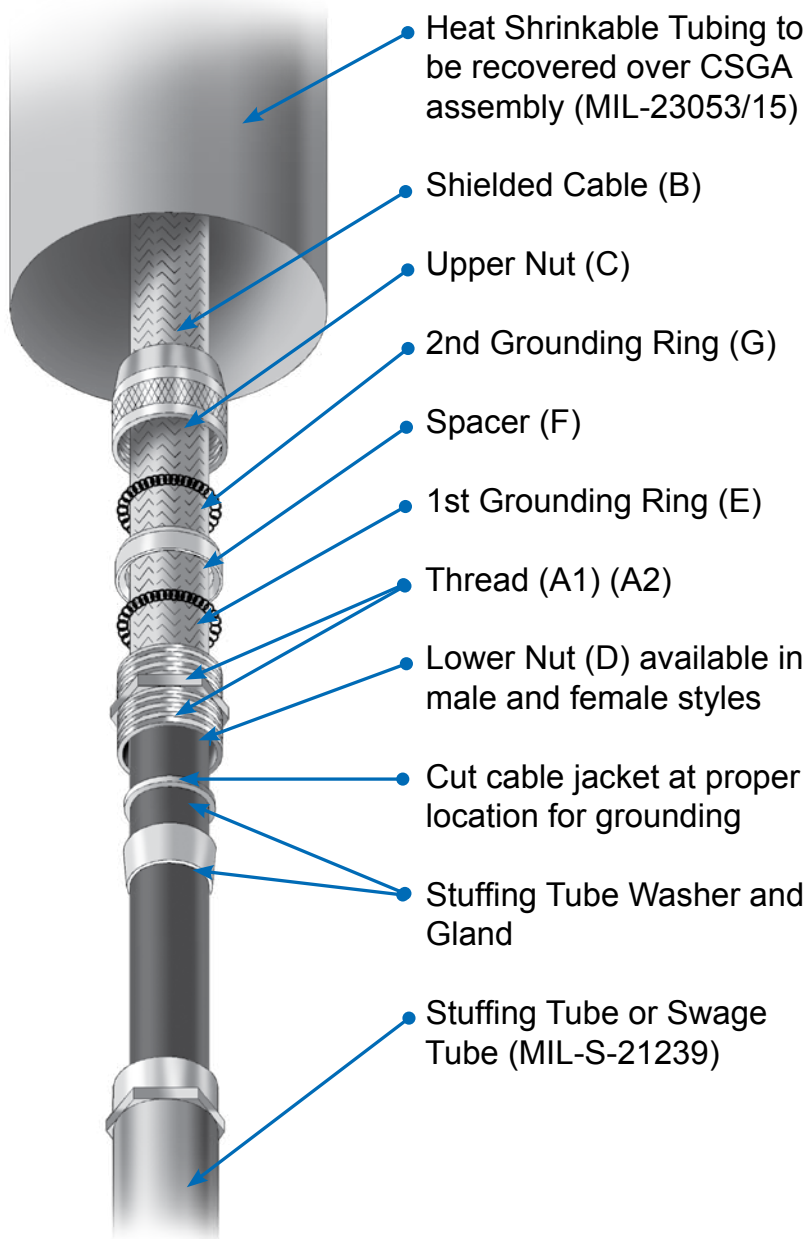
1. Prior to pulling the cable through the stuffing tube, remove and discard the gland nut and replace with the grounding assembly, lightly threading the assembly onto the tube (the assembly must match the tube size, i.e., A, B, C, etc.). Slide the tubing over the grounding assembly.
2. Pull the cable (B) through the grounding assembly and tubing, using care to prevent damage to internal components.
3. Permanently install the cable in place and tighten all hangers.
4. Slide the tubing up the cable, away from the grounding assembly. Unscrew the grounding assembly and move it several inches up the cable. Separate the lower nut (D) from the upper nut (C).
5. Pack the stuffing tube, as required, using the original slip washer and packing gland. Apply anti-seize compound per MIL-T-22361 (FSN 8030-00-22-1102) to threads (A1) and tighten the lower nut (D) as required for packing.
6. Abrade the cable for approximately 6" above the lower nut (D).
7. Drop the 1st grounding ring (E), spacer (F), and the 2nd grounding ring (G) down on top of the lower nut (D). Mark the cable at top of the 2nd grounding ring (G), slide the components up the cable and remove the outer jacket from the mark to the top of the lower nut (D).
8. Apply a coating of anti-seize to the exposed threads (A2). Reassemble the components (E, F, & G) on the exposed shield.
9. Lower the upper nut (C) and hand-tighten firmly.
10. Slide the tubing down the cable and center it over the grounding assembly. Be sure the tubing overlaps the stuffing tube and onto the cable beyond the boot. Apply heat from the center of the tubing towards the ends to ensure even shrinkage. The sealant will flow from the ends of the tubing when recovery is complete.

NOTE: *This method of cable grounding applies to new installation and to retrofit cables that can be removed and routed through the grounding assembly.*

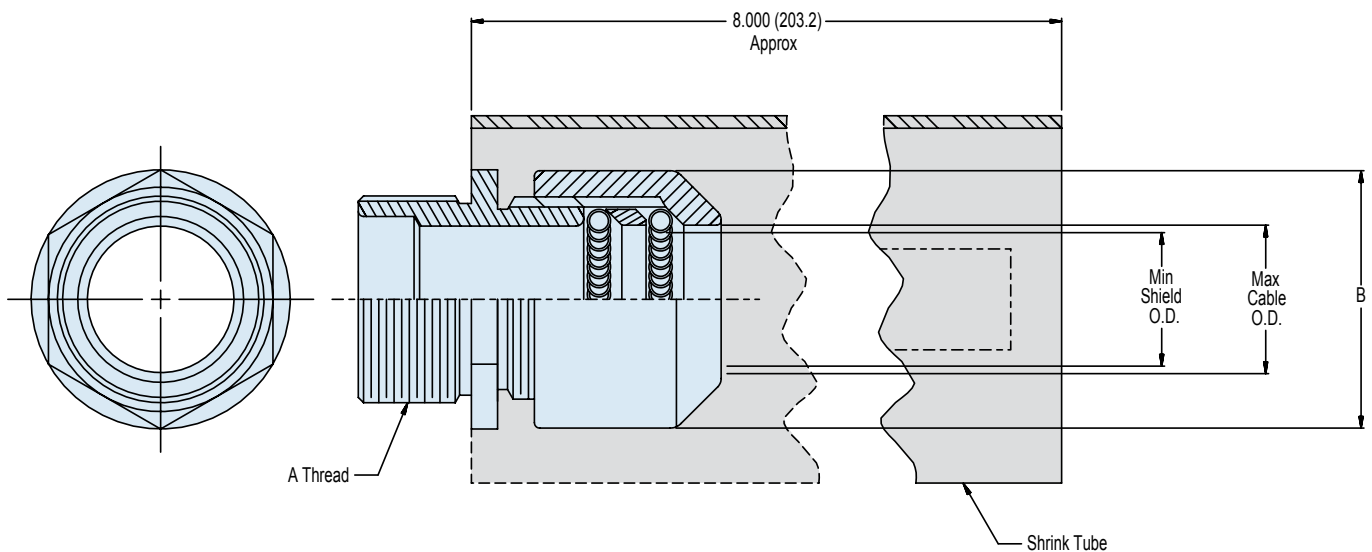
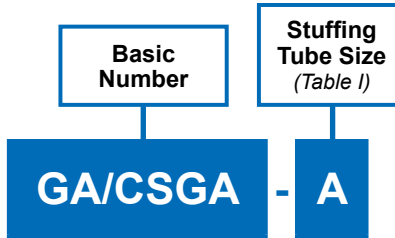
Cable Shield Grounding Assembly Installation Instructions



CSGA



D



APPLICATION NOTES

1. Assembly identified with manufacturer's code identification number (Glenair, part number and classification code 490).
2. Glenair series 600 backshell assembly tools are recommended for assembly and installation.
3. Material / Finish:
Adapters - Al alloy/cad/O.D. over electroless nickel (500 hr salt spray).
Ferrule, grounding spring - CRES/passivate.
Tubing - Heat shrinkable, flame retardant, with adhesive.
4. Metric dimensions (mm) are indicated in parentheses.

**GA/CSGA
Male
Cable Shield Grounding Assembly**

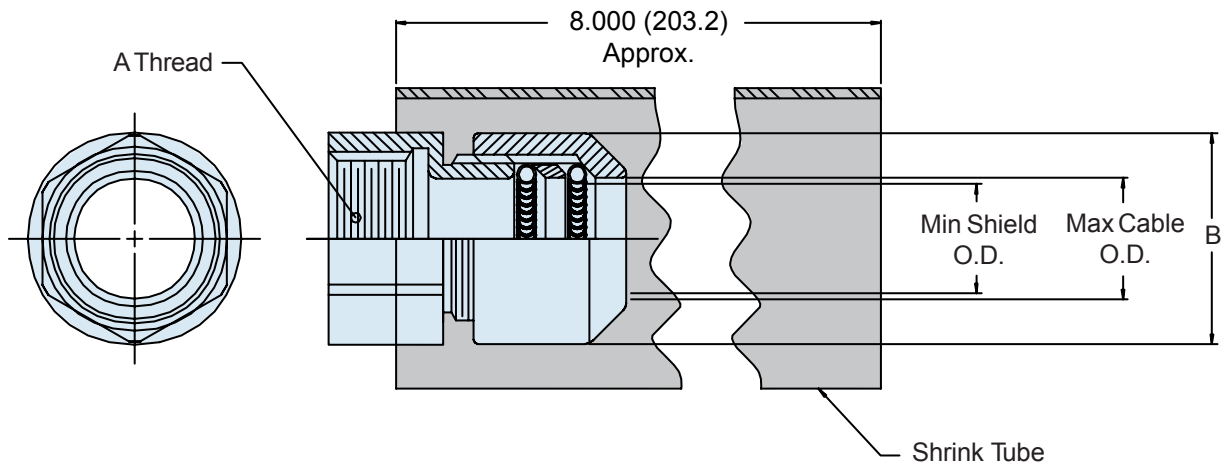
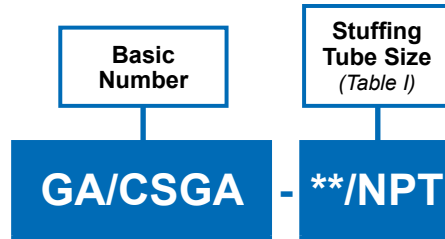


CSGA

TABLE I: Stuffing Tube Size and Adapter Dimensions

Glenair Part No.	A Thread	Max Cable O.D.	Min Shield O.D.	B Max	Shrink Tube Number
GA/CSGA-A (sm)	7/8 -12 UN	.250 (6.4)	.125 (3.2)	1.120 (28.4)	HRSR 125
GA/CSGA-A	7/8 -12 UN	.406 (10.3)	.200 (5.1)	1.120 (28.4)	
GA/CSGA-B	1 -12 UN	.515 (13.1)	.260 (6.6)	1.120 (28.4)	
GA/CSGA-C	1 1/8 -12 UN	.640 (16.3)	.400 (10.2)	1.320 (33.5)	HRSR 175
GA/CSGA-D	1 1/4 -12 UN	.750 (19.1)	.400 (10.2)	1.630 (41.4)	
GA/CSGA-E	1 1/4 -12 UN	.812 (20.6)	.430 (10.9)	1.630 (41.4)	
GA/CSGA-F	1 5/16 -12 UN	.843 (21.4)	.470 (11.9)	1.750 (44.5)	HRSR 200
GA/CSGA-G	1 1/2 -12 UN	.953 (24.2)	.580 (14.7)	1.880 (47.8)	
GA/CSGA-J	1 5/8 -12 UN	1.062 (27.0)	.690 (17.5)	1.880 (47.8)	
GA/CSGA-K	1 3/4 -12 UN	1.172 (29.8)	.800 (20.3)	2.060 (5.2)	HRSR 250
GA/CSGA-L	1 13/16 -12 UN	1.265 (32.1)	.890 (22.6)	2.180 (55.4)	
GA/CSGA-M	2 -12 UN	1.406 (35.7)	1.010 (25.7)	2.320 (58.9)	
GA/CSGA-N	2 1/16 -12 UN	1.515 (38.5)	1.130 (28.7)	2.380 (60.5)	
GA/CSGA-P	2 3/16 -12 UN	1.625 (41.3)	1.200 (30.5)	2.440 (62.0)	
GA/CSGA-R	2 5/16 -12 UN	1.750 (44.5)	1.250 (31.8)	2.750 (69.9)	HRSR 300
GA/CSGA-S	2 11/16 -12 UN	1.875 (47.6)	1.380 (35.1)	2.880 (73.2)	
GA/CSGA-T	2 7/8 -12 UN	2.062 (52.4)	1.560 (39.6)	3.130 (79.5)	HRSR 400
GA/CSGA-V	3 -12 UN	2.187 (55.5)	1.690 (42.9)	3.250 (82.6)	

D



APPLICATION NOTES

1. Assembly identified with manufacturer's code identification number (Glenair, part number and classification code 490).
2. Glenair series 600 backshell assembly tools are recommended for assembly and installation.
3. Material / Finish:
Adapters - Al alloy/cad/O.D. over electroless nickel (500 hr salt spray).
Ferrule, grounding spring - CRES/passivate.
Tubing - Heat shrinkable, flame retardant, with adhesive.
4. Metric dimensions (mm) are indicated in parentheses.

*Available in Passivated 316 Stainless Steel, add 49A to end of part number.

**GA/CSGA-*/NPT
Female Pipe Thread
Cable Shield Grounding Assembly**



CSGA

TABLE II

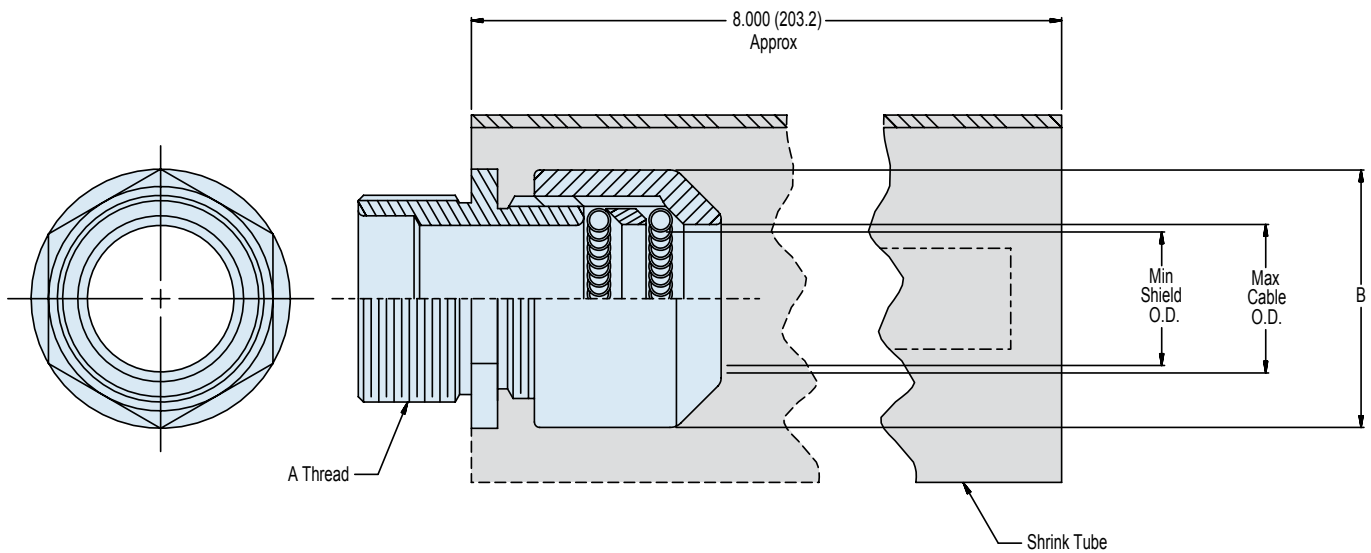
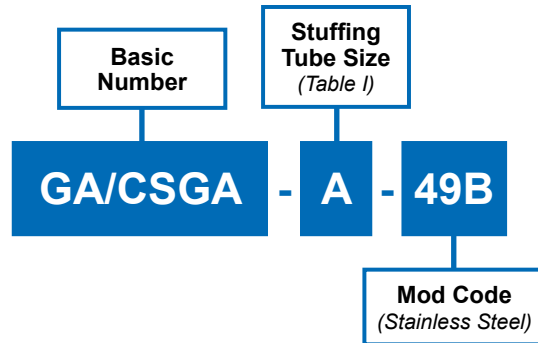
Part Number	A Thread	Max Cable O.D.	Min Shield O.D.	B Max	Shrink Tube Part Number
GA/CSGA-A (SM)	7/8 - 12 UN	.250 (6.4)	.125 (3.2)	1.12 (28.4)	HRSR 125
GA/CSGA-A	7/8 - 12 UN	.406 (10.3)	.200 (5.1)	1.12 (28.4)	HRSR 125
GA/CSGA-B	1 - 12 UN	.515 (13.1)	.260 (6.6)	1.12 (28.4)	HRSR 125
GA/CSGA-C	1 1/8 - 12 UN	.640 (16.3)	.400 (10.2)	1.32 (33.5)	HRSR 175
GA/CSGA-D	1 1/4 - 12 UN	.750 (19.1)	.400 (10.2)	1.63 (41.4)	HRSR 175
GA/CSGA-E	1 1/4 - 12 UN	.812 (20.6)	.430 (10.9)	1.63 (41.4)	HRSR 175
GA/CSGA-F	1 5/16 - 12 UN	.843 (21.4)	.470 (11.9)	1.75 (44.5)	HRSR 200
GA/CSGA-G	1 1/2 - 12 UN	.953 (24.2)	.580 (14.7)	1.88 (47.8)	HRSR 200
GA/CSGA-J	1 5/8 - 12 UN	1.062 (27.0)	.690 (17.5)	1.88 (47.8)	HRSR 200
GA/CSGA-K	1 3/4 - 12 UN	1.172 (29.8)	.800 (20.3)	2.06 (52.3)	HRSR 250
GA/CSGA-L	1 13/16 - 12 UN	1.265 (32.1)	.890 (22.6)	2.18 (55.4)	HRSR 250
GA/CSGA-M	2 - 12 UN	1.406 (35.7)	1.010 (25.7)	2.32 (58.9)	HRSR 250
GA/CSGA-N	2 1/16 - 12 UN	1.515 (38.5)	1.130 (28.7)	2.38 (60.5)	HRSR 250
GA/CSGA-P	2 3/16 - 12 UN	1.625 (41.3)	1.200 (30.5)	2.44 (62.0)	HRSR 250
GA/CSGA-R	2 5/16 - 12 UN	1.750 (44.5)	1.250 (31.8)	2.75 (69.9)	HRSR 300
GA/CSGA-S	2 11/16 - 12 UN	1.875 (47.6)	1.380 (35.1)	2.88 (73.2)	HRSR 300
GA/CSGA-T	2 7/8 - 12 UN	2.062 (52.4)	1.560 (39.6)	3.13 (79.5)	HRSR 400
GA/CSGA-V	3 - 12 UN	2.187 (55.5)	1.690 (42.9)	3.25 (82.6)	HRSR 400

D

GA/CSGA-49B

Male

Stainless Steel Cable Shield Grounding Assembly



APPLICATION NOTES

1. Assembly identified with manufacturer's code identification number (Glenair, part number and classification code 490).
2. Glenair series 600 backshell assembly tools are recommended for assembly and installation.
3. Material / Finish:
Adapters - CRES/passivate.
Ferrule, grounding spring - CRES/passivate.
Tubing - Heat shrinkable, flame retardant, with adhesive.
4. Metric dimensions (mm) are indicated in parentheses.

GA/CSGA-49B
Male
Stainless Steel Cable Shield Grounding Assembly

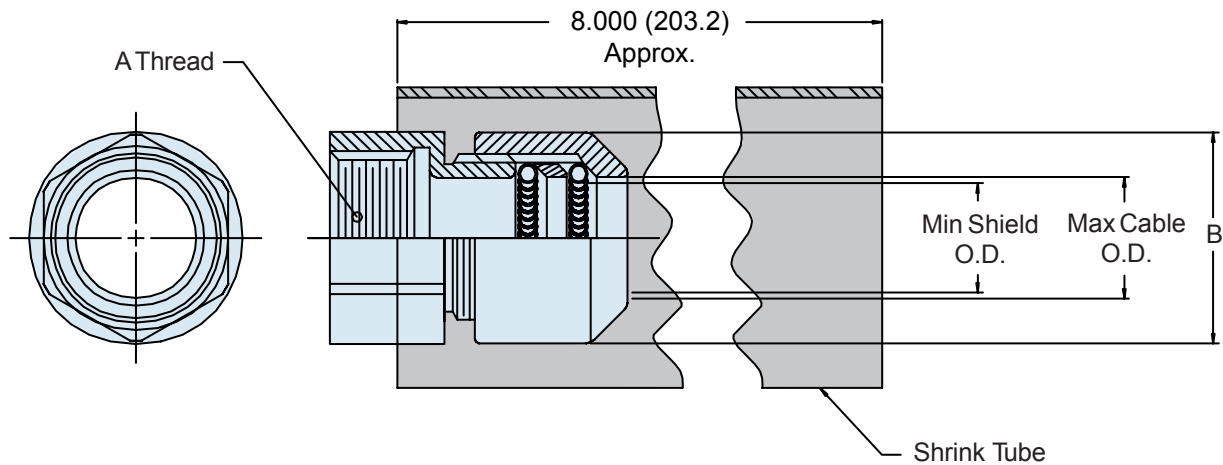
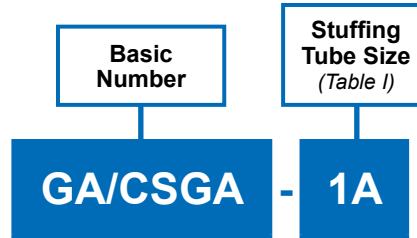


CSGA

TABLE I: Stuffing Tube Size and Adapter Dimensions

Glenair Part No.	A Thread	Max Cable O.D.	Min Shield O.D.	B Max	Shrink Tube Number
GA/CSGA-A (SM)-49B	7/8 -12 UN	.250 (6.4)	.125 (3.2)	1.120 (28.4)	HRSR 125
GA/CSGA-49B	7/8 -12 UN	.406 (10.3)	.200 (5.1)	1.120 (28.4)	
GA/CSGA-B-49B	1 -12 UN	.515 (13.1)	.260 (6.6)	1.120 (28.4)	
GA/CSGA-C-49B	1 1/8 -12 UN	.640 (16.3)	.400 (10.2)	1.320 (33.5)	HRSR 175
GA/CSGA-D-49B	1 1/4 -12 UN	.750 (19.1)	.400 (10.2)	1.630 (41.4)	
GA/CSGA-E-49B	1 1/4 -12 UN	.812 (20.6)	.430 (10.9)	1.630 (41.4)	
GA/CSGA-F-49B	1 5/16 -12 UN	.843 (21.4)	.470 (11.9)	1.750 (44.5)	HRSR 200
GA/CSGA-G-49B	1 1/2 -12 UN	.953 (24.2)	.580 (14.7)	1.880 (47.8)	
GA/CSGA-J-49B	1 5/8 -12 UN	1.062 (27.0)	.690 (17.5)	1.880 (47.8)	
GA/CSGA-K-49B	1 3/4 -12 UN	1.172 (29.8)	.800 (20.3)	2.060 (52.1)	HRSR 250
GA/CSGA-L-49B	1 13/16 -12 UN	1.265 (32.1)	.890 (22.6)	2.180 (55.4)	
GA/CSGA-M-49B	2 -12 UN	1.406 (35.7)	1.010 (25.7)	2.320 (58.9)	
GA/CSGA-N-49B	2 1/16 -12 UN	1.515 (38.5)	1.130 (28.7)	2.380 (60.5)	
GA/CSGA-P-49B	2 3/16 -12 UN	1.625 (41.3)	1.200 (30.5)	2.440 (62.0)	
GA/CSGA-R-49B	2 5/16 -12 UN	1.750 (44.5)	1.250 (31.8)	2.750 (69.9)	HRSR 300
GA/CSGA-S-49B	2 11/16 -12 UN	1.875 (47.6)	1.380 (35.1)	2.880 (73.2)	
GA/CSGA-T-49B	2 7/8 -12 UN	2.062 (52.4)	1.560 (39.6)	3.130 (79.5)	HRSR 400
GA/CSGA-V-49B	3 -12 UN	2.187 (55.5)	1.690 (42.9)	3.250 (82.6)	

D



APPLICATION NOTES

1. Assembly identified with manufacturer's code identification number (Glenair, part number and classification code 490).
2. Glenair series 600 backshell assembly tools are recommended for assembly and installation.
3. Material / Finish:
 Adapters - Al alloy/cad/O.D. over electroless nickel (500 hr salt spray).
 Ferrule, grounding spring - CRES/passivate.
 Tubing - Heat shrinkable, flame retardant, with adhesive.
4. Metric dimensions (mm) are indicated in parentheses.

GA/CSGA-
Female
Cable Shield Grounding Assembly**



CSGA

TABLE I: Stuffing Tube Size and Adapter Dimensions

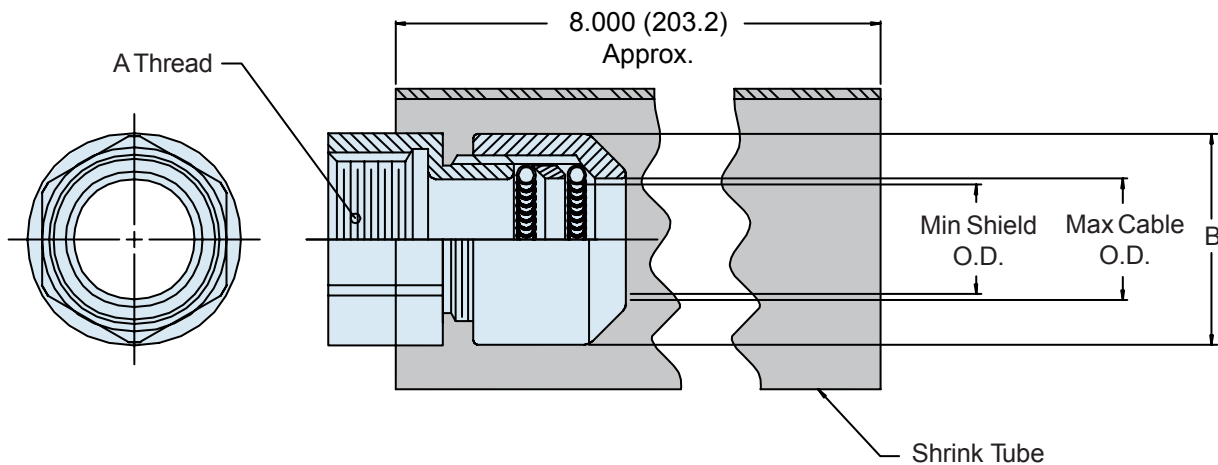
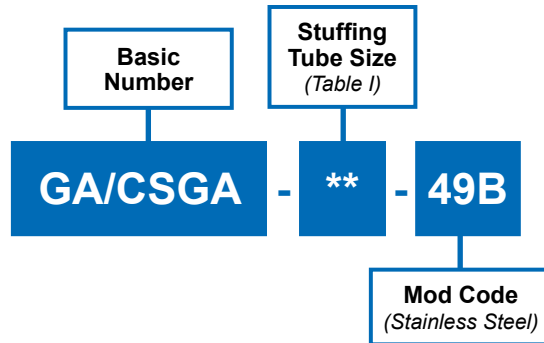
Glenair Part No.	A Thread	Max Cable O.D.	Min Shield O.D.	B Max	Shrink Tube Number
GA/CSGA-1A	7/8 -12 UN	.406 (10.3)	.200 (5.1)	1.120 (28.4)	HRSR 125
GA/CSGA-2A	1 -12 UN	.406 (10.3)	.200 (5.1)	1.120 (28.4)	
GA/CSGA-2B	1 -12 UN	.515 (13.1)	.260 (6.6)	1.120 (28.4)	
GA/CSGA-3A	1 1/8 -12 UN	.515 (13.1)	.260 (6.6)	1.120 (28.4)	
GA/CSGA-4A	1 1/4 -12 UN	.640 (16.3)	.400 (10.2)	1.320 (33.5)	HRSR 175
GA/CSGA-4B	1 1/4 -12 UN	.750 (19.1)	.400 (10.2)	1.630 (41.4)	
GA/CSGA-5A	2 -12 UN	.843 (21.4)	.430 (10.9)	1.750 (44.5)	HRSR 200
GA/CSGA-5B	2 -12 UN	.953 (24.2)	.580 (14.7)	1.880 (47.8)	
GA/CSGA-5C	2 -12 UN	1.062 (27.0)	.690 (17.5)	1.880 (47.8)	
GA/CSGA-5D	2 -12 UN	1.172 (29.8)	.800 (20.3)	2.060 (5.2)	HRSR 250
GA/CSGA-6A	2 1/2 -12 UN	1.172 (29.8)	.800 (20.3)	2.060 (5.2)	
GA/CSGA-6B	2 1/2 -12 UN	1.265 (32.1)	.890 (22.6)	2.180 (55.4)	
GA/CSGA-6C	2 1/2 -12 UN	1.406 (35.7)	1.010 (25.7)	2.320 (58.9)	
GA/CSGA-7A	2 3/4 -12 UN	1.515 (38.5)	1.130 (28.7)	2.380 (60.5)	
GA/CSGA-7B	2 1/4 -12 UN	1.625 (41.3)	1.130 (28.7)	2.440 (62.0)	
GA/CSGA-8A	3 1/4 -12 UN	1.750 (44.5)	1.250 (31.8)	2.750 (69.9)	HRSR 300
GA/CSGA-8B	3 1/4 -12 UN	1.875 (47.6)	1.380 (35.1)	2.880 (73.2)	
GA/CSGA-8C	3 1/4 -12 UN	2.062 (52.4)	1.560 (39.6)	3.130 (79.5)	HRSR 400
GA/CSGA-9A	4 -12 UN	2.185 (55.5)	1.690 (42.9)	3.250 (82.6)	

D

GA/CSGA-**-49B

Female

Stainless Steel Cable Shield Grounding Assembly



APPLICATION NOTES

1. Assembly identified with manufacturer's code identification number (Glenair, part number and classification code 490).
2. Glenair series 600 backshell assembly tools are recommended for assembly and installation.
3. Material / Finish:
Adapters - CRES/passivate.
Ferrule, grounding spring - CRES/passivate.
Tubing - Heat shrinkable, flame retardant, with adhesive.
4. Metric dimensions (mm) are indicated in parentheses.

GA/CSGA--49B**
Female
Stainless Steel Cable Shield Grounding Assembly

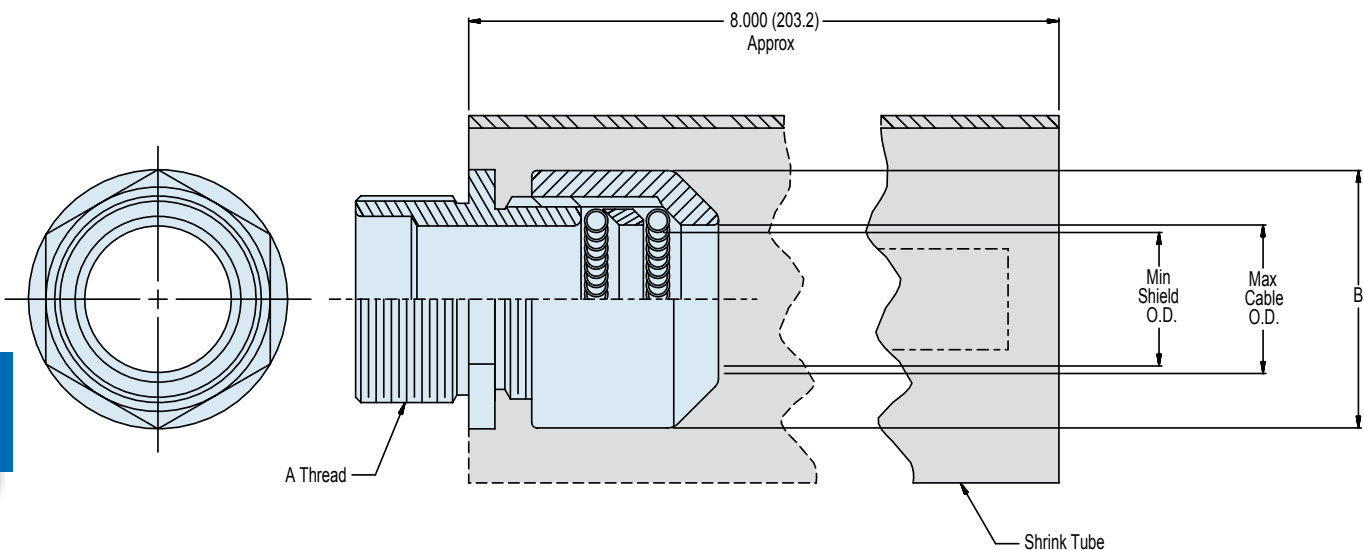
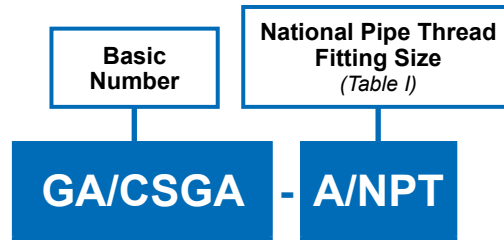


CSGA

TABLE I: Stuffing Tube Size and Adapter Dimensions

Glenair Part No.	A Thread	Max Cable O.D.	Min Shield O.D.	B Max	Shrink Tube Number
GA/CSGA-1A-49B	7/8 -12 UN	.406 (10.3)	.200 (5.1)	1.120 (28.4)	HRSR 125
GA/CSGA-2A-49B	1 -12 UN	.406 (10.3)	.200 (5.1)	1.120 (28.4)	
GA/CSGA-2B-49B	1 -12 UN	.515 (13.1)	.260 (6.6)	1.120 (28.4)	
GA/CSGA-3A-49B	1 1/8 -12 UN	.515 (13.1)	.260 (6.6)	1.120 (28.4)	
GA/CSGA-4A-49B	1 1/4 -12 UN	.640 (16.3)	.400 (10.2)	1.320 (33.5)	HRSR 175
GA/CSGA-4B-49B	1 1/4 -12 UN	.750 (19.1)	.400 (10.2)	1.630 (41.4)	
GA/CSGA-5A-49B	2 -12 UN	.843 (21.4)	.430 (10.9)	1.750 (44.5)	HRSR 200
GA/CSGA-5B-49B	2 -12 UN	.953 (24.2)	.580 (14.7)	1.880 (47.8)	
GA/CSGA-5C-49B	2 -12 UN	1.062 (27.0)	.690 (17.5)	1.880 (47.8)	
GA/CSGA-5D-49B	2 -12 UN	1.172 (29.8)	.800 (20.3)	2.060 (5.2)	HRSR 250
GA/CSGA-6A-49B	2 1/2 -12 UN	1.172 (29.8)	.800 (20.3)	2.060 (5.2)	
GA/CSGA-6B-49B	2 1/2 -12 UN	1.265 (32.1)	.890 (22.6)	2.180 (55.4)	
GA/CSGA-6C-49B	2 1/2 -12 UN	1.406 (35.7)	1.010 (25.7)	2.320 (58.9)	
GA/CSGA-7A-49B	2 3/4 -12 UN	1.515 (38.5)	1.130 (28.7)	2.380 (60.5)	
GA/CSGA-7B-49B	2 1/4 -12 UN	1.625 (41.3)	1.130 (28.7)	2.440 (62.0)	
GA/CSGA-8A-49B	3 1/4 -12 UN	1.750 (44.5)	1.250 (31.8)	2.750 (69.9)	HRSR 300
GA/CSGA-8B-49B	3 1/4 -12 UN	1.875 (47.6)	1.380 (35.1)	2.880 (73.2)	
GA/CSGA-8C-49B	3 1/4 -12 UN	2.062 (52.4)	1.560 (39.6)	3.130 (79.5)	HRSR 400
GA/CSGA-9A-49B	4 -12 UN	2.185 (55.5)	1.690 (42.9)	3.250 (82.6)	

D



APPLICATION NOTES

1. Assembly identified with manufacturer's code identification number (Glenair, part number and classification code 490).
2. Glenair series 600 backshell assembly tools are recommended for assembly and installation.
3. Material / Finish:
Adapters - Al alloy/cad/O.D. over electroless nickel (500 hr salt spray).
Ferrule, grounding spring - CRES/passivate.
Tubing - Heat shrinkable, flame retardant, with adhesive.
4. Metric dimensions (mm) are indicated in parentheses.

**GA/CSGA-*/NPT
Male Pipe Thread
Cable Shield Grounding Assembly**



CSGA

TABLE I: Stuffing Tube Size and Adapter Dimensions

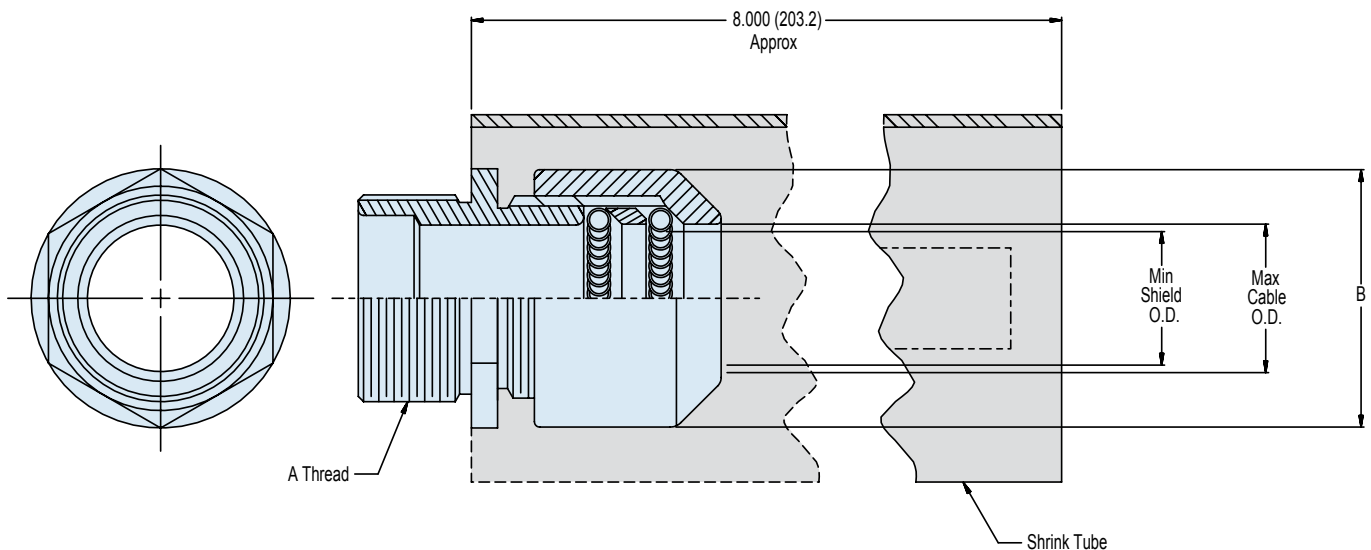
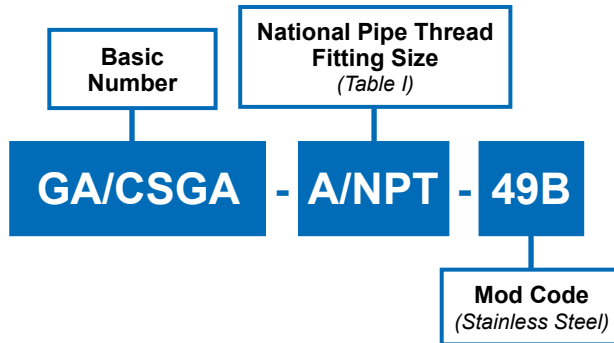
Glenair Part No.	A Thread	Max Cable O.D.	Min Shield O.D.	B Max	Shrink Tube Number
GA/CSGA-A/NPT	3/8-18 NPT	.406 (10.3)	.200 (5.1)	1.120 (28.4)	HRSR 125
GA/CSGA-B/NPT	1/2-14 NPT	.515 (13.1)	.260 (6.6)	1.120 (28.4)	
GA/CSGA-C/NPT	3/4-14NPT	.640 (16.3)	.400 (10.2)	1.320 (33.5)	HRSR 175
GA/CSGA-D/NPT	3/4-14 NPT	.750 (19.1)	.400 (10.2)	1.630 (41.4)	
GA/CSGA-E/NPT	1-11 1/2 NPT	.812 (20.6)	.430 (10.9)	1.630 (41.4)	
GA/CSGA-F/NPT	1-11 1/2 NPT	.843 (21.4)	.470 (11.9)	1.750 (44.5)	HRSR 200
GA/CSGA-G/NPT	1-11 1/2 NPT	.953 (24.2)	.580 (14.7)	1.880 (47.8)	
GA/CSGA-J/NPT	1/4-11 1/2 NPT	1.062 (27.0)	.690 (17.5)	1.880 (47.8)	
GA/CSGA-K/NPT	1/4-11 1/2 NPT	1.172 (29.8)	.800 (20.3)	2.060 (52.2)	HRSR 250
GA/CSGA-L/NPT	1/4-11 1/2 NPT	1.265 (32.1)	.890 (22.6)	2.180 (55.4)	
GA/CSGA-M/NPT	1/2-11 1/2 NPT	1.406 (35.7)	1.010 (25.7)	2.320 (58.9)	
GA/CSGA-N/NPT	1/2-11 1/2 NPT	1.515 (38.5)	1.130 (28.7)	2.380 (60.5)	
GA/CSGA-P/NPT	2-11 NPT	1.625 (41.3)	1.200 (30.5)	2.440 (62.0)	
GA/CSGA-R/NPT	2-11 NPT	1.750 (44.5)	1.250 (31.8)	2.750 (69.9)	HRSR 300
GA/CSGA-S/NPT	2-11 NPT	1.875 (47.6)	1.380 (35.1)	2.880 (73.2)	
GA/CSGA-T/NPT	2 1/2-8 NPT	2.062 (52.4)	1.560 (39.6)	3.130 (79.5)	HRSR 400
GA/CSGA-V/NPT	2 1/2-8 NPT	2.187 (55.5)	1.690 (42.9)	3.250 (82.6)	

D

GA/CSGA-*/NPT-49B

Male Pipe Thread

Stainless Steel Cable Shield Grounding Assembly



APPLICATION NOTES

1. Assembly identified with manufacturer's code identification number (Glenair, part number and classification code 490).
2. Glenair series 600 backshell assembly tools are recommended for assembly and installation.
3. Material / Finish:
 - Adapters - CRES/passivate.
 - Ferrule, grounding spring - CRES/passivate.
 - Tubing - Heat shrinkable, flame retardant, with adhesive.
4. Metric dimensions (mm) are indicated in parentheses.

GA/CSGA-*/NPT-49B
Male Pipe Thread
Stainless Steel Cable Shield Grounding Assembly



CSGA

TABLE I: Stuffing Tube Size and Adapter Dimensions

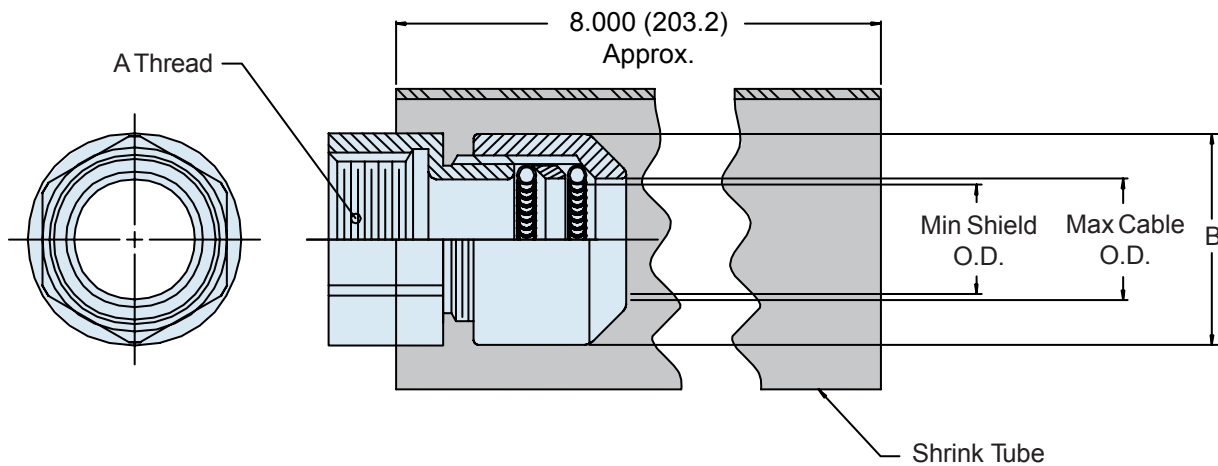
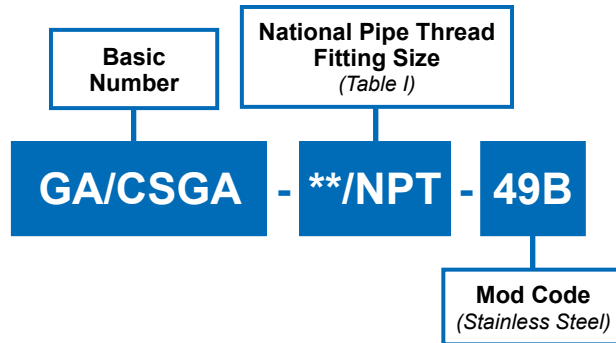
Glenair Part No.	A Thread	Max Cable O.D.	Min Shield O.D.	B Max	Shrink Tube Number
GA/CSGA-A/NPT-49B	3/8-18 NPT	.406 (10.3)	.200 (5.1)	1.120 (28.4)	HRSR 125
GA/CSGA-B/NPT-49B	1/2-14 NPT	.515 (13.1)	.260 (6.6)	1.120 (28.4)	
GA/CSGA-C/NPT-49B	3/4-14NPT	.640 (16.3)	.400 (10.2)	1.320 (33.5)	HRSR 175
GA/CSGA-D/NPT-49B	3/4-14 NPT	.750 (19.1)	.400 (10.2)	1.630 (41.4)	
GA/CSGA-E/NPT-49B	1-11 1/2 NPT	.812 (20.6)	.430 (10.9)	1.630 (41.4)	HRSR 200
GA/CSGA-F/NPT-49B	1-11 1/2 NPT	.843 (21.4)	.470 (11.9)	1.750 (44.5)	
GA/CSGA-G/NPT-49B	1-11 1/2 NPT	.953 (24.2)	.580 (14.7)	1.880 (47.8)	HRSR 250
GA/CSGA-J/NPT-49B	1 1/4-11 1/2 NPT	1.062 (27.0)	.690 (17.5)	1.880 (47.8)	
GA/CSGA-K/NPT-49B	1 1/4-11 1/2 NPT	1.172 (29.8)	.800 (20.3)	2.060 (5.2)	HRSR 300
GA/CSGA-L/NPT-49B	1 1/4-11 1/2 NPT	1.265 (32.1)	.890 (22.6)	2.180 (55.4)	
GA/CSGA-M/NPT-49B	1 1/2-11 1/2 NPT	1.406 (35.7)	1.010 (25.7)	2.320 (58.9)	HRSR 400
GA/CSGA-N/NPT-49B	1 1/2-11 1/2 NPT	1.515 (38.5)	1.130 (28.7)	2.380 (60.5)	
GA/CSGA-P/NPT-49B	2-11 NPT	1.625 (41.3)	1.200 (30.5)	2.440 (62.0)	HRSR 300
GA/CSGA-R/NPT-49B	2-11 NPT	1.750 (44.5)	1.250 (31.8)	2.750 (69.9)	
GA/CSGA-S/NPT-49B	2-11 NPT	1.875 (47.6)	1.380 (35.1)	2.880 (73.2)	HRSR 400
GA/CSGA-T/NPT-49B	2 1/2-8 NPT	2.062 (52.4)	1.560 (39.6)	3.130 (79.5)	
GA/CSGA-V/NPT-49B	2 1/2-8 NPT	2.187 (55.5)	1.690 (42.9)	3.250 (82.6)	

D

GA/CSGA-*/NPT-49B

Female Pipe Thread

Stainless Steel Cable Shield Grounding Assembly



APPLICATION NOTES

1. Assembly identified with manufacturer's code identification number (Glenair, part number and classification code 490).
2. Glenair series 600 backshell assembly tools are recommended for assembly and installation.
3. Material / Finish:
 Adapters - CRES/passivate.
 Ferrule, grounding spring - CRES/passivate.
 Tubing - Heat shrinkable, flame retardant, with adhesive.
4. Metric dimensions (mm) are indicated in parentheses.

GA/CSGA-*/NPT-49B
Female Pipe Thread
Stainless Steel Cable Shield Grounding Assembly



CSGA

TABLE I: Stuffing Tube Size and Adapter Dimensions

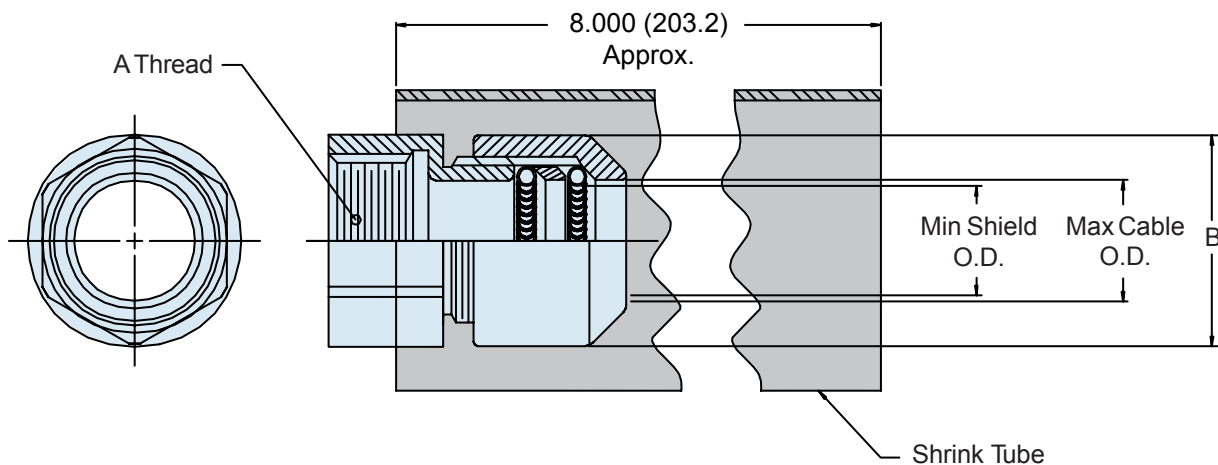
Glenair Part No.	A Thread	Max Cable O.D.	Min Shield O.D.	B Max	Shrink Tube Number
GA/CSGA-A/NPT-49B	3/8-18 NPT	.406 (10.3)	.200 (5.1)	1.120 (28.4)	HRSR 125
GA/CSGA-B/NPT-49B	1/2-14 NPT	.515 (13.1)	.260 (6.6)	1.120 (28.4)	
GA/CSGA-C/NPT-49B	3/4-14NPT	.640 (16.3)	.400 (10.2)	1.320 (33.5)	HRSR 175
GA/CSGA-D/NPT-49B	3/4-14 NPT	.750 (19.1)	.400 (10.2)	1.630 (41.4)	
GA/CSGA-E/NPT-49B	1-11 1/2 NPT	.812 (20.6)	.430 (10.9)	1.630 (41.4)	
GA/CSGA-F/NPT-49B	1-11 1/2 NPT	.843 (21.4)	.470 (11.9)	1.750 (44.5)	HRSR 200
GA/CSGA-G/NPT-49B	1-11 1/2 NPT	.953 (24.2)	.580 (14.7)	1.880 (47.8)	
GA/CSGA-J/NPT-49B	1/4-11 1/2 NPT	1.062 (27.0)	.690 (17.5)	1.880 (47.8)	
GA/CSGA-K/NPT-49B	1/4-11 1/2 NPT	1.172 (29.8)	.800 (20.3)	2.060 (52.2)	HRSR 250
GA/CSGA-L/NPT-49B	1/4-11 1/2 NPT	1.265 (32.1)	.890 (22.6)	2.180 (55.4)	
GA/CSGA-M/NPT-49B	1/2-11 1/2 NPT	1.406 (35.7)	1.010 (25.7)	2.320 (58.9)	
GA/CSGA-N/NPT-49B	1/2-11 1/2 NPT	1.515 (38.5)	1.130 (28.7)	2.380 (60.5)	
GA/CSGA-P/NPT-49B	2-11 NPT	1.625 (41.3)	1.200 (30.5)	2.440 (62.0)	
GA/CSGA-R/NPT-49B	2-11 NPT	1.750 (44.5)	1.250 (31.8)	2.750 (69.9)	HRSR 300
GA/CSGA-S/NPT-49B	2-11 NPT	1.875 (47.6)	1.380 (35.1)	2.880 (73.2)	
GA/CSGA-T/NPT-49B	2 1/2-8 NPT	2.062 (52.4)	1.560 (39.6)	3.130 (79.5)	HRSR 400
GA/CSGA-V/NPT-49B	2 1/2-8 NPT	2.187 (55.5)	1.690 (42.9)	3.250 (82.6)	

D

Basic
Number

National Pipe Thread
Fitting Size
(Table I)

GA/CSGA - **/NPT



APPLICATION NOTES

1. Assembly identified with manufacturer's code identification number (Glenair, part number and classification code 490).
2. Glenair series 600 backshell assembly tools are recommended for assembly and installation.
3. Material / Finish:
Adapters - Al alloy/cad/O.D. over electroless nickel (500 hr salt spray).
Ferrule, grounding spring - CRES/passivate.
Tubing - Heat shrinkable, flame retardant, with adhesive.
4. Metric dimensions (mm) are indicated in parentheses.

**GA/CSGA-*/NPT
Female Pipe Thread
Cable Shield Grounding Assembly**



CSGA

TABLE I: Stuffing Tube Size and Adapter Dimensions

Glenair Part No.	A Thread	Max Cable O.D.	Min Shield O.D.	B Max	Shrink Tube Number
GA/CSGA-1A/NPT	3/8-18 NPT	.406 (10.3)	.200 (5.1)	1.120 (28.4)	HRSR 125
GA/CSGA-2B/NPT	1/2-14 NPT	.515 (13.1)	.260 (6.6)	1.120 (28.4)	
GA/CSGA-3C/NPT	3/4-14NPT	.640 (16.3)	.400 (10.2)	1.320 (33.5)	HRSR 175
GA/CSGA-3D/NPT	3/4-14 NPT	.750 (19.1)	.400 (10.2)	1.630 (41.4)	
GA/CSGA-4E/NPT	1-11 1/2 NPT	.812 (20.6)	.430 (10.9)	1.630 (41.4)	HRSR 200
GA/CSGA-4F/NPT	1-11 1/2 NPT	.843 (21.4)	.470 (11.9)	1.750 (44.5)	
GA/CSGA-4G/NPT	1-11 1/2 NPT	.953 (24.2)	.580 (14.7)	1.880 (47.8)	
GA/CSGA-5J/NPT	1 1/4-11 1/2 NPT	1.062 (27.0)	.690 (17.5)	1.880 (47.8)	HRSR 250
GA/CSGA-5K/NPT	1 1/4-11 1/2 NPT	1.172 (29.8)	.800 (20.3)	2.060 (52.2)	
GA/CSGA-5L/NPT	1 1/4-11 1/2 NPT	1.265 (32.1)	.890 (22.6)	2.180 (55.4)	
GA/CSGA-6M/NPT	1 1/2-11 1/2 NPT	1.406 (35.7)	1.010 (25.7)	2.320 (58.9)	HRSR 300
GA/CSGA-6N/NPT	1 1/2-11 1/2 NPT	1.515 (38.5)	1.130 (28.7)	2.380 (60.5)	
GA/CSGA-7P/NPT	2-11 NPT	1.625 (41.3)	1.200 (30.5)	2.440 (62.0)	HRSR 400
GA/CSGA-7R/NPT	2-11 NPT	1.750 (44.5)	1.250 (31.8)	2.750 (69.9)	
GA/CSGA-7S/NPT	2-11 NPT	1.875 (47.6)	1.380 (35.1)	2.880 (73.2)	
GA/CSGA-8T/NPT	2 1/2-8 NPT	2.062 (52.4)	1.560 (39.6)	3.130 (79.5)	
GA/CSGA-8V/NPT	2 1/2-8 NPT	2.187 (55.5)	1.690 (42.9)	3.250 (82.6)	

D

- Split configuration installs easily without cutting cable
- Provides 360° grounding of cables at stuffing tubes and swage tubes
- Meets MIL-STD-1310 Grounding requirements for EMI and EMP
- Wraparound Sleeve Provides Positive Weather Sealing

Glenair's Cable Shield Grounding Assembly, Split Type, is a grounding device that provides 360° grounding to an overall shielded cable, such as coaxial cables, at the top side entrance to MIL-S-24235 stuffing tubes. The cable shield grounding adapter provides approximately 80 dB of grounding effectiveness from 1 MHz to 100MHz.

TABLE I

Part Number	Tube Size	Max Cable O.D.	Min Shield O.D.
GA/CSGA-A(S)	A	.406 (10.3)	.200 (5.1)
GA/CSGA-B(S)	B	.515 (13.1)	.260 (6.6)
GA/CSGA-C(S)	C	.640 (16.3)	.400 (10.2)
GA/CSGA-D(S)	D	.750 (19.1)	.400 (10.2)
GA/CSGA-E(S)	E	.812 (20.6)	.430 (10.9)
GA/CSGA-F(S)	F	.843 (21.4)	.470 (11.9)
GA/CSGA-G(S)	G	.953 (24.2)	.580 (14.7)
GA/CSGA-J(S)	J	1.062 (27.0)	.690 (17.5)
GA/CSGA-K(S)	K	1.172 (29.8)	.800 (20.3)
GA/CSGA-L(S)	L	1.265 (32.1)	.890 (22.6)
GA/CSGA-M(S)	M	1.406 (35.7)	1.010 (25.7)
GA/CSGA-N(S)	N	1.515 (38.5)	1.130 (28.7)
GA/CSGA-P(S)	P	1.625 (41.3)	1.130 (28.7)
GA/CSGA-R(S)	R	1.750 (44.5)	1.250 (31.8)
GA/CSGA-S(S)	S	1.875 (47.6)	1.380 (35.1)
GA/CSGA-T(S)	T	2.062 (52.4)	1.560 (39.6)
GA/CSGA-V(S)	V	2.187 (55.5)	1.690 (42.9)
GA/CSGA-W(S)	W	1.312 (33.3)	1.810 (46.0)
GA/CSGA-X(S)	X	2.500 (63.5)	2.000 (50.8)

Metric dimensions (mm) are indicated in parentheses.

**CSGA-*(S)
Split Type
Cable Shield Grounding Assembly**

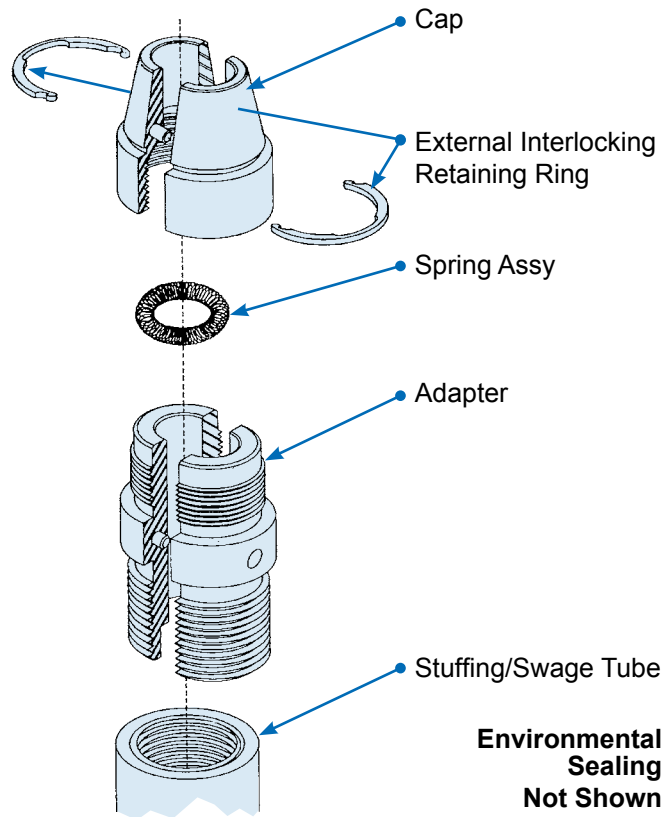


CSGA

The grounding adapters are provided in 19 different sizes to accommodate MIL-S-24235 stuffing tube sizes "A" through "X". The grounding adapters are provided in kit form which includes all the necessary parts and instruc-

tions to install the adapter, except gland nut tightening wrench and heat source for shrinking the weather seal shroud. Contents of the kit are shown in the illustration below:

- Specified Grounding Adapter
- Anti-Seize Compound and Applicator
- Cable Jacket Cleaning Strip
- Wraparound Sleeve
- Installation Instruction Sheet



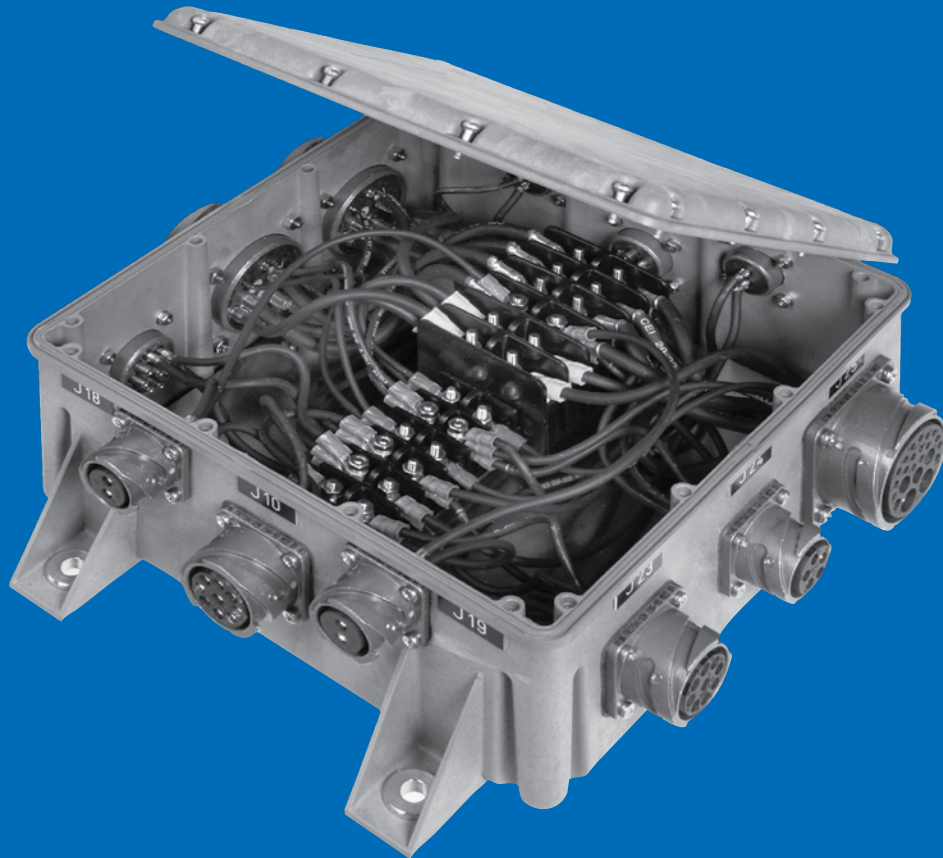
D

SERIES 14

COST SAVER

EMI/RFI Composite Junction Boxes

Lightweight ♦ Corrosion-Free ♦ Shielded ♦ Sealed



Glenair Series 14 CostSaver Composite EMI/RFI Junction Boxes can be specially designed and outfitted for any application requirement. We offer a dozen standard sizes that can be equipped with your selection of feedthrough fittings, connectors, grounding devices, terminal boards—you name it. For complete information please see our composite products catalog or visit our website, www.glenair.com



Glenair Composite Electrical Boxes Resist Corrosion and Reduce Costly and Time-Consuming Maintenance

Fleet managers are encouraged to replace corroded or leaking electrical metal boxes with their composite counterparts. Glenair composite boxes eliminate the costly repeated need to remove corroded metal boxes, re-preserve the ship's hull, installing a new box, and re-connecting the electrical system. Widespread use of Glenair composite boxes can eliminate the

need for ships to paint, repair and replace topside electrical boxes.

Glenair composite boxes provide corrosion-resistant alternatives to the metal boxes listed in MIL-T-24649 that covers most standard telephone boxes and MIL-E-24b42. Glenair composite boxes were developed to replace metal boxes on a one-for-one form fit and function basis.

Series 316 stainless steel hardware provides long-term durability

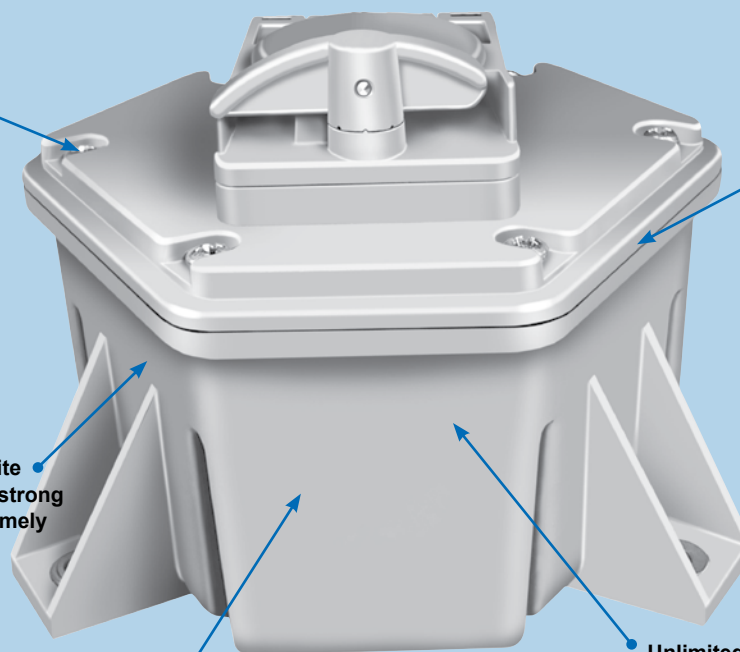
IP67 rated seals and gaskets protect equipment from moisture and dust

Glass reinforced composite thermoplastic material is strong and durable and yet extremely lightweight.

Glenair 147-021 and 147-022 Series Sound Powered Telephone Boxes for the US Navy are available in three box sizes with custom single, dual or quad jack receptacles

Low harmonic resonance and inherent attenuating properties reduce loosening and decoupling of feed-through fittings and accessories.

Unlimited corrosion resistance compared to metal junction boxes reduces repair and maintenance costs.





Glenair Composite Box National Stock Numbers

Glenair composite boxes have passed all shock, fire and EMI testing requirement. SCD-6922 authorizes the use of composite boxes on surface ships. NASEA standard drawing 803-6983506 Rev-A "Electrical Enclosures,

Composite, Installation and Details" provides box installation details and instructions.

The following national stock numbers have been established for these Navy approved, corrosion-proof composite boxes:

Glenair Composite Box National Stock Numbers

Part Number Ref No.	FLIS Nomenclature	New Composite NSN	Eq. Brass Box NSW	Part/Symbol Number	Description
147-021XMS-02	Enclosure, Composite	5935-01-572-6657	5935-00-552-6790	SYMBOL 2842	Dual SPT
147-021XMS-03	Enclosure, Composite	5935-01-572-5631	5935-00-355-4739	SYMBOL 2843	Quad SPT
147-022XMS-01	Enclosure, Composite	5935-01-572-5487	5935-00-552-6791	SYMBOL 2841	Single SPT
140-060XMS-01	Junction Box, Composite	5975-01-556-7957	5975-00-122-6048	MIL-E-24142/1	Small
140-060XMS-02	Junction Box, Composite	5975-01-557-2672	5975-00-357-0974	MIL-E-24142-/4-001	Medium
140-060XMS-03	Junction Box, Composite	5975-01-557-2679	5395-01-185-3693	ENC6X9	Large
140-060XMS-05	Junction Box, Composite	5975-01-556-7948	None	No NSN Identified	Small Round
140-060XMS-01T4	Junction Box, Composite	5940-01-556-9434	5940-00-351-2223	SYMBOL 528	Small
140-060XMS-01T6	Junction Box, Composite	5940-01-556-9443	NICN: LLCA42632	SYMBOL 444	Small
140-060XMS-05T4	Junction Box, Composite	5940-01-557-2712	5940-00-024-0128	SYMBOL 400.1	Small Round
140-060XMS-05T2	Junction Box, Composite	5940-01-557-2579	5940-00-351-0000	M24558/1-520.1	Small Round
140-060XMS-03T1	Junction Box, Composite	5940-01-556-9489	5940-00-215-5962	SYMBOL 432.1	Large
140-060XMS-03T2	Junction Box, Composite	5940-01-557-2564	5940-00-080-3931	SYMBOL 434	Large
140-060XMS-03T5	Junction Box, Composite	5940-01-557-2578	5940-00-503-4204	SYMBOL 529	Large
140-060XMS-03T9	Junction Box, Composite	5940-01-557-2582	5940-00-215-5963	SYMBOL 433.1	Large
140-060XMS-03T10	Junction Box, Composite	5940-01-556-9494	5940-00-2226	SYMBOL 522.1	Large
140-060XMS-03T11	Junction Box, Composite	5940-01-557-2563	5940-01-387-4412	M24558/8-446	Large
140-060XMS-03T12	Junction Box, Composite	5940-01-556-9499	4940-00-351-2225	M24558/9-525	Large
140-060XMS-01T3	Junction Box, Composite	5975-01-556-7967	5940-00-215-5959	SYMBOL 435.1	Small
147-023XMS-02	Electrical Box, Composite	5940-01-557-2667	5935-00-086-8922	SYMBOL 1099.1	Single 115V
147-023XMS-01	Electrical Box, Composite	5940-01-557-2645	5935-00-720-0527	SYMBOL 35.1	Single 115V
147-032XMS-0005G	Electrical Box, Composite	5940-01-557-2719	5935-01-145-3182	MILR2726-71 SYMBOL 101	Single 125V
147-033XMS-0003	Electrical Box, Composite	5940-01-557-2725	5935-01-415-0883	SYMBOL 1098-1	Single 115V
147-020XMS-02	Junction Box, Composite	5975-01-556-9504	None	No NSN Identified	Dual 115V
147-020XMS-05	Electrical Box, Composite	5940-01-557-2634	None	No NSN Identified	Dual 115V

Glenair Composite Box Lid Replacement National Stock Numbers



Glenair Composite Box Lid National Stock Numbers

Part Number Ref No.	FLIS Nomenclature	New Composite NSN	Eq. Brass Box NSW	Use With Part Number	Description
140-XMS-05	Cover, Terminal Box	5935-01-572-5480	None	147-021XMS-02	Lid, Composite
140-065XMS-06	Cover, Terminal Box	5935-01-572-5483	None	147-021XMS-03	Lid, Composite
140-065XMS-14	Cover, Terminal Box	5940-01-557-2622	None	140-060XMS-05, 05T2 and 05T4	Lid, Composite
140-065XMS-01	Cover, Terminal Box	5940-01-557-2612	None	140-060XMS-01, 01T3, 01T4 and 01T6	Lid, Composite
140-065XMS-03	Cover, Junction Box	5975-01-556-9522	None	140-060XMS-02	Lid, Composite
140-065XMS-12	Cover, Terminal Box	5935-01-572-5845	None	147-022X0-01	Lid, Composite
630-038X0-02K	Cover, Junction Box	5975-01-556-9582	None	022X0-01, 147-021X0-02 and 147-021X0-03	Cover, Composite with Spring Latch
140-065XMS-15	Cover, Terminal Box	5940-01-557-2626	None	140-060XMS-03, 03T1, 03T5 03T9, 03T10, 03T11, AND 03T12	Lid, Composite
140-065XMS-17	Cover, Terminal Box	5940-01-557-2616	None	147-023XMS-02	Lid, Composite
630-038X0-04K	Cover, Junction Box	5975-01-556-9627	None	147-023XMS-02 and 147020XMS-05	Cover, Composite with Spring Latch
140-065XMS-13	Cover, Terminal Box	5940-01-557-2585	None	147-023XMS-01	Lid, Composite
140-065XMS-08	Cover, Terminal Box	5940-01-557-2573	None	147-020XMS-02	Lid, Composite
630-038X0-01K	Cover, Junction Box	5975-01-556-9621	None	147023XMS-01 and 147-023XMS-02	Cover, Composite with Spring Latch
140-065XMS-16	Cover, Terminal Box	5940-01-557-2587	None	147-020XMS-05	Lid, Composite
227-059X004	Connector, Sound Powered	5935-01-558-3700	None	147-022X0-01 and 147-021X0-02	SPT Jack, Composite Panel

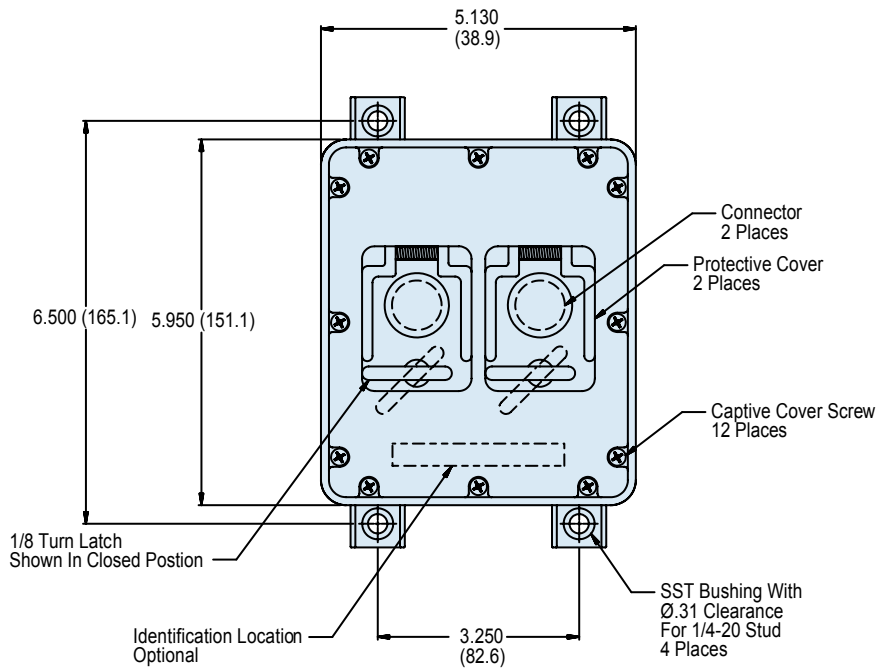
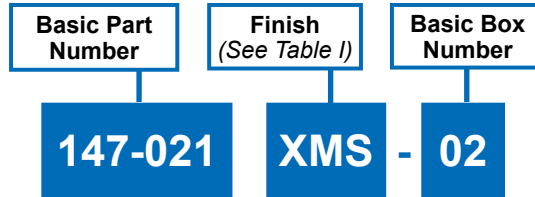
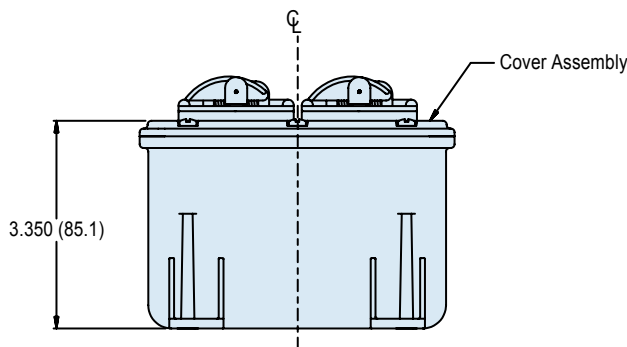


FIGURE 1 TOP VIEW



E

147-021XMS-02
(NSN: 5935-01-572-6657)
Dual Sound Powered Composite Telephone Box



Composite
Boxes

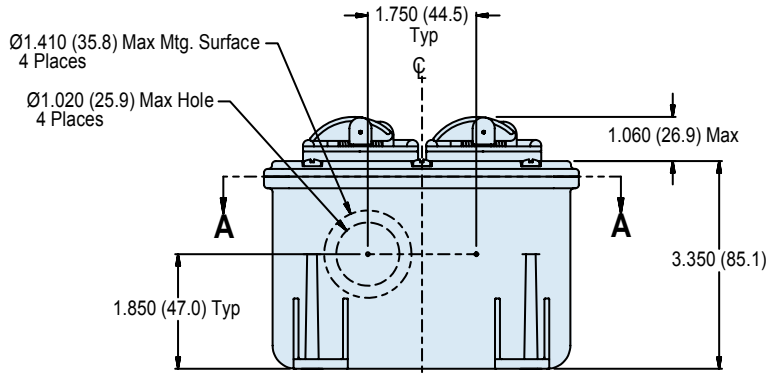
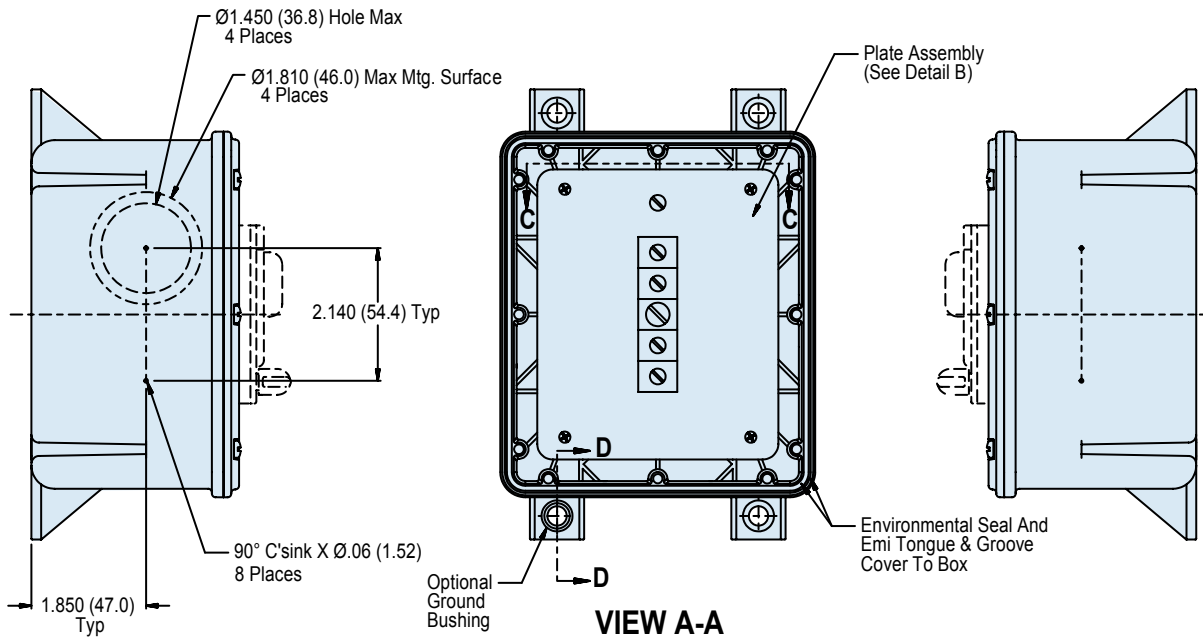
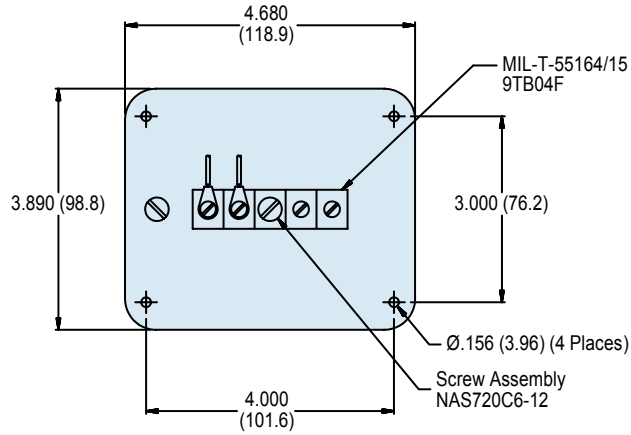


FIGURE 2

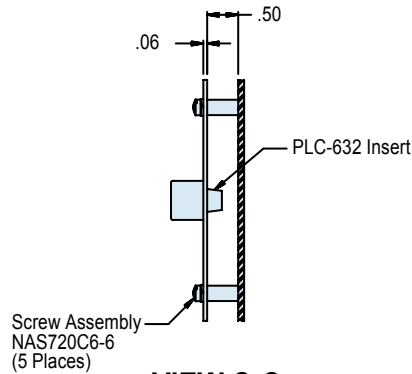


VIEW A-A





DETAIL B



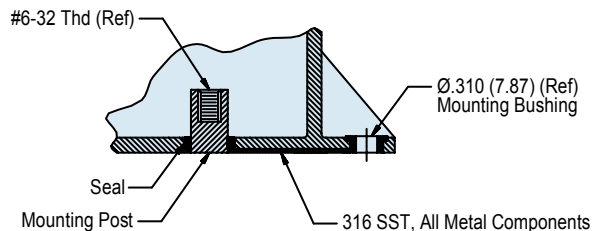
VIEW C-C

TABLE I: Finish

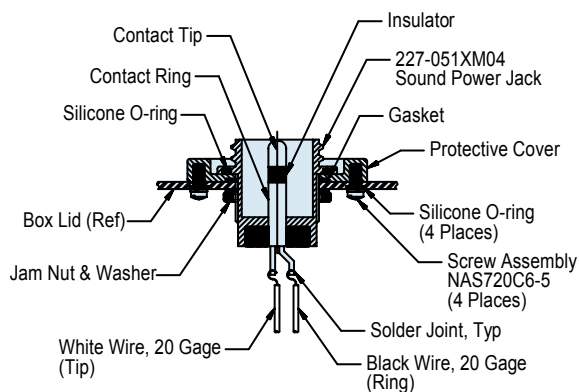
Symbol	Description
XMS	Internal Surfaces - Electroless Nickel Exterior Surfaces - Unplated Light Grey Color
XO	No Plating



147-021XMS-02
(NSN: 5935-01-572-6657)
Dual Sound Powered Composite Telephone Box



SECTION D-D
Electrical Ground Through Internal
Mounting Post To External Mounting Bushing



SOUND POWER JACK SECTION VIEW
(2 Places)

APPLICATION NOTES

1. Assembly identified with manufacturer's code identification number (Glenair, part number and classification code 490).
2. Color may be subject to fading, however UV exposure will not affect material physical properties.
3. Assembly is similar to symbol part numbers and require installation in accordance with NAVSEA drawing 803-6983506.
4. Material / Finish:
 Box, cover - Thermoplastic grey color/see Table I.
 Hardware - 316 SST/passivate.
 Seals and gaskets - Silicone/N.A.
 Mounting Plate - 300 series SST/passivate.
5. NAVSEA approved; Dwg 803-698-3506.
6. Metric dimensions (mm) are indicated in parentheses.



Basic Part Number	Finish (See Table I)	Basic Box Number
147-022	XMS - 01	01

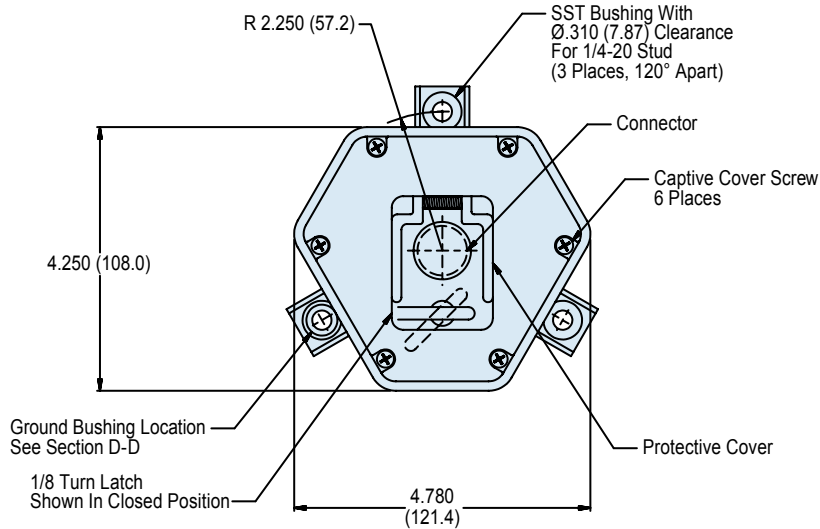
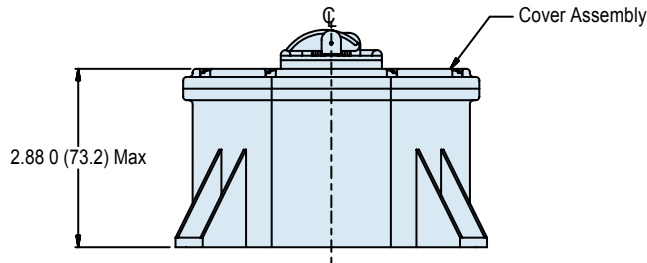


FIGURE 1 TOP VIEW



E

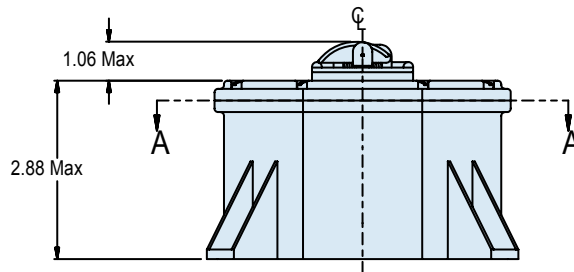
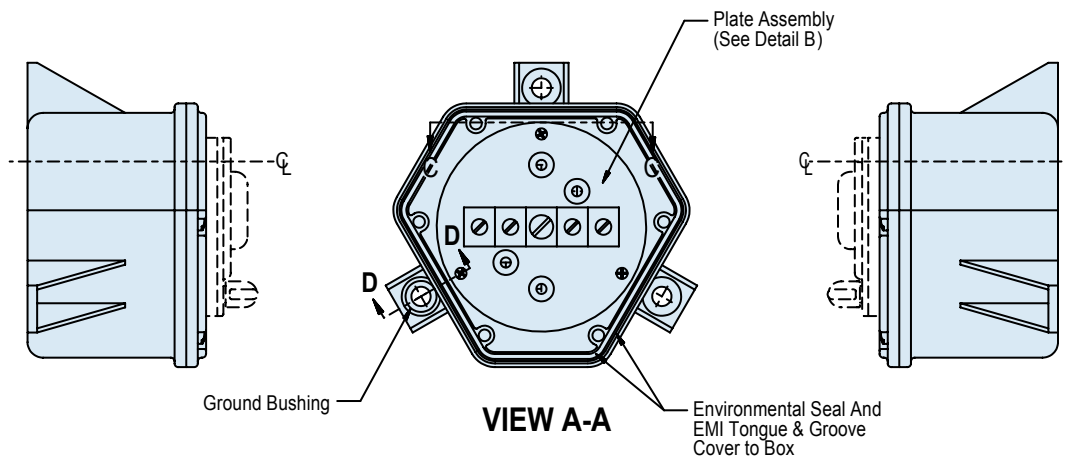
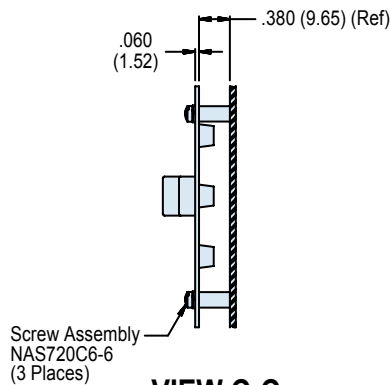
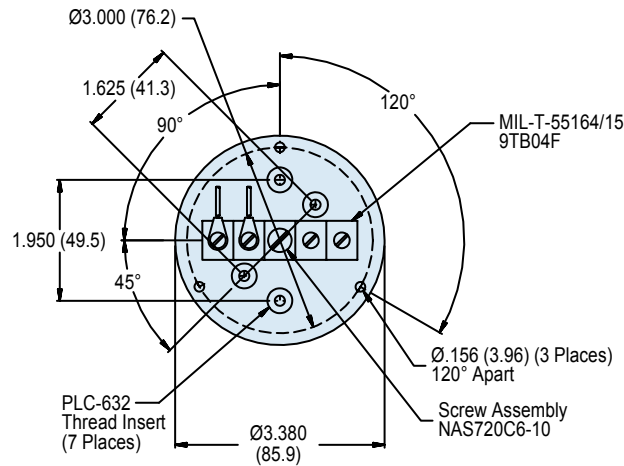


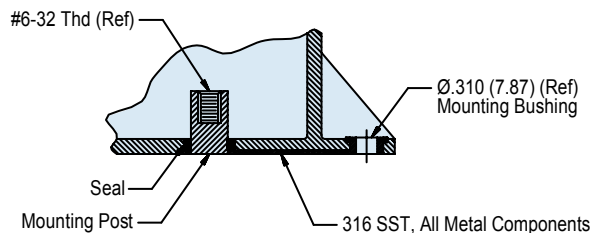
FIGURE 2



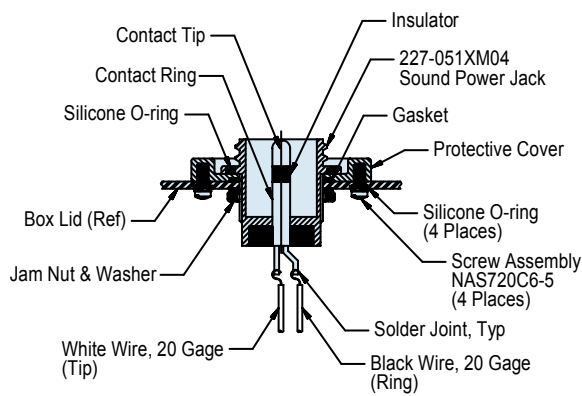


APPLICATION NOTES

1. Assembly identified with manufacturer's code identification number (Glenair, part number and classification code 490).
2. Color may be subject to fading, however UV exposure will not affect material physical properties.
3. Assembly is similar to symbol part numbers and require installation in accordance with NAVSEA drawing 803-6983506.
4. Material / Finish:
Box, cover - Thermoplastic grey color/see Table I.
Hardware - 316 SST/passivate.
Seals and gaskets - Silicone/N.A.
Mounting Plate - 300 series SST/passivate.
5. NAVSEA approved; Dwg 803-698-3506.
6. Metric dimensions (mm) are indicated in parentheses.



SECTION D-D
**Electrical Ground Through Internal
Mounting Post To External Mounting Bushing**



SOUND POWER JACK SECTION VIEW
(1 Place)

TABLE I: Finish	
Symbol	Description
XMS	Internal Surfaces - Electroless Nickel Exterior Surfaces - Unplated Light Grey Color
XO	No Plating



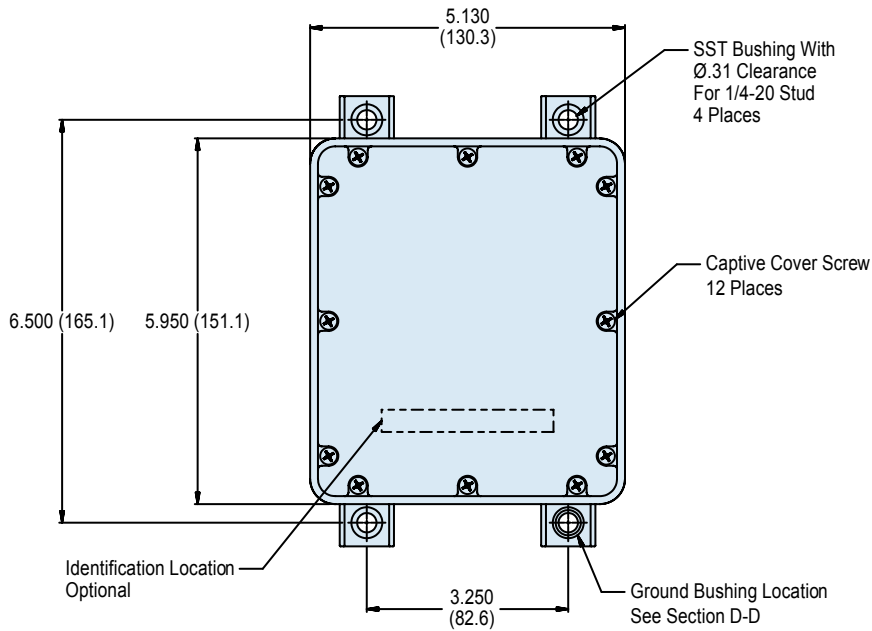
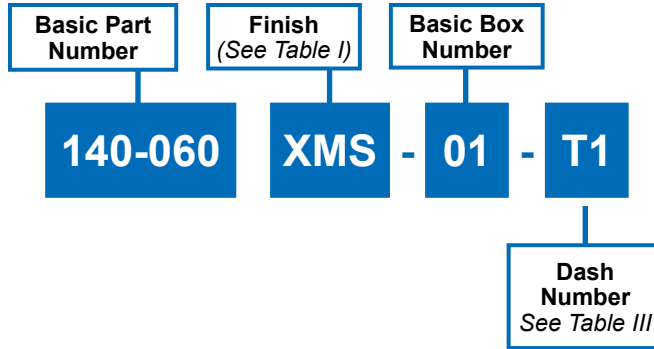
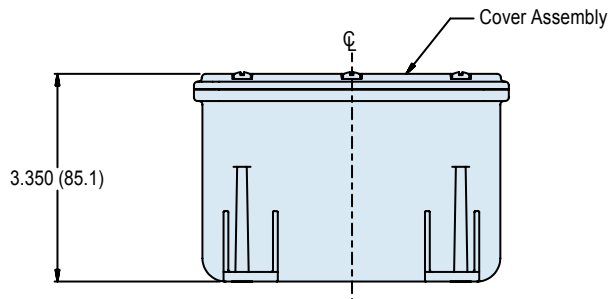


FIGURE 1 TOP VIEW



140-060XMS-01
(NSN: 5975-01-556-7957)
10 Terminal Grounded Composite Junction Box
15 Ft. Submersion



Composite
Boxes

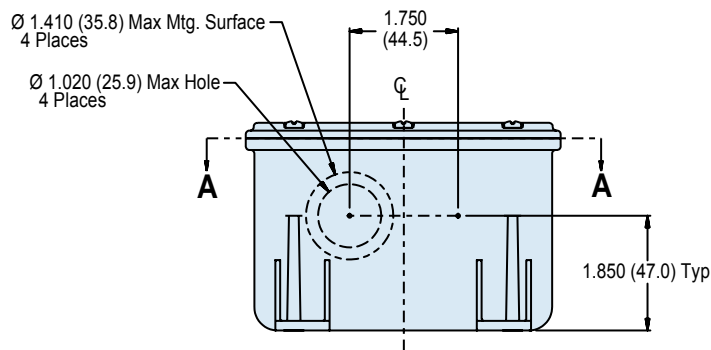
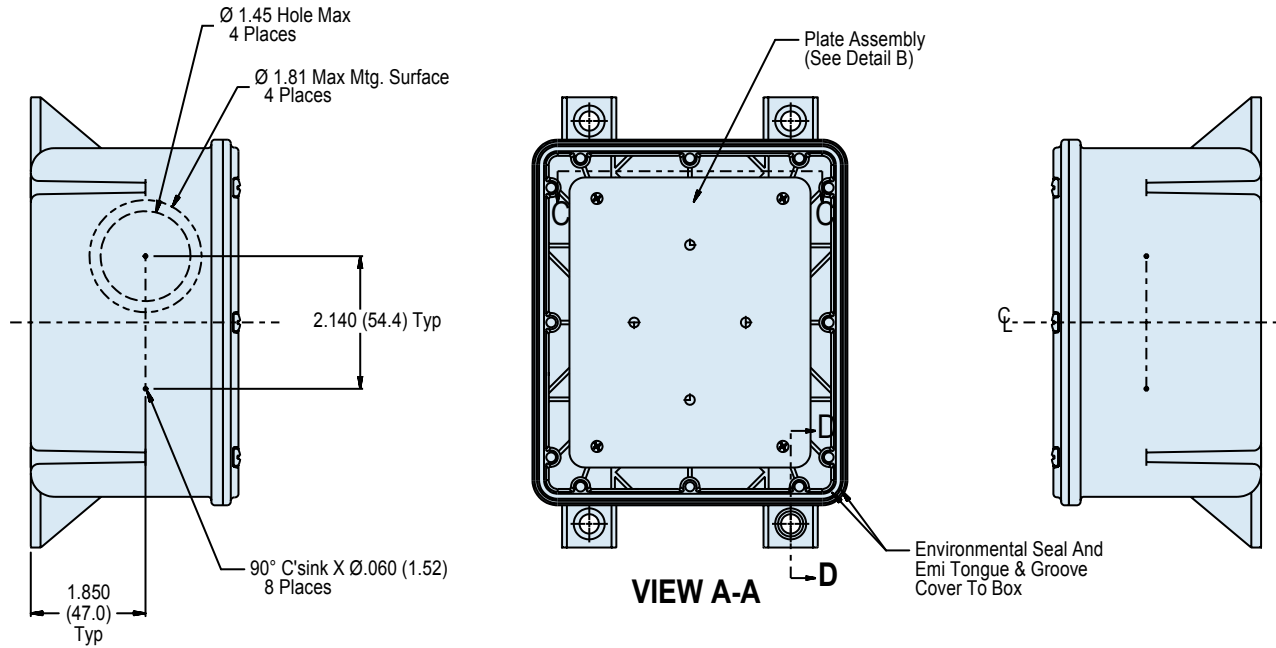
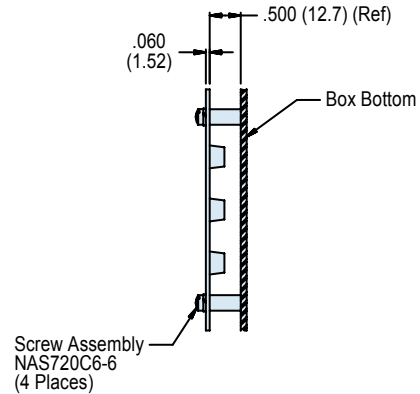
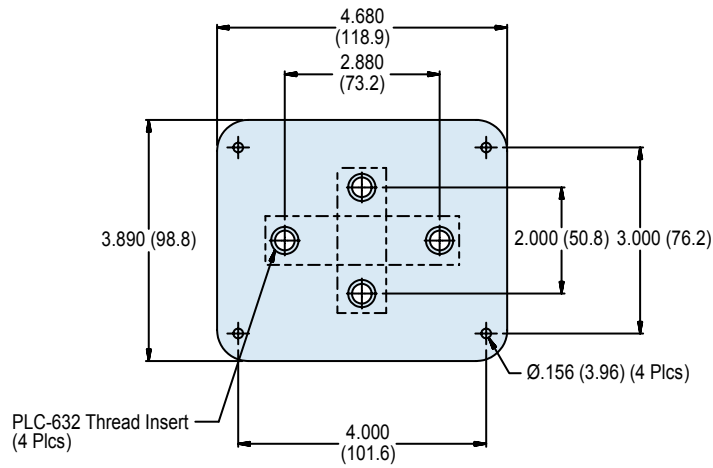


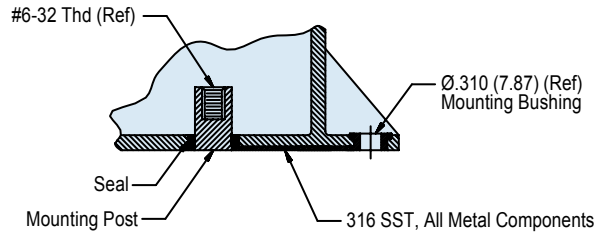
FIGURE 2





APPLICATION NOTES

1. Assembly identified with manufacturer's code identification number (Glenair, part number and classification code 490).
2. Color may be subject to fading, however UV exposure will not affect material physical properties.
3. Assembly is similar to symbol part numbers and require installation in accordance with NAVSEA drawing 803-6983506.
4. Material / Finish:
 Box, cover - Thermoplastic grey color/see Table I.
 Hardware - 316 SST/passivate.
 Seals and gaskets - Silicone/N.A.
 Mounting Plate - 300 series SST/passivate.
5. NAVSEA approved; Dwg 803-698-3506.
6. Metric dimensions (mm) are indicated in parentheses.



SECTION D-D
Electrical Ground Through Internal
Mounting Post To External Mounting Bushing

TABLE I: Finish

Symbol	Description
XMS	Internal Surfaces - Electroless Nickel Exterior Surfaces - Unplated Light Grey Color
XO	No Plating

TABLE II: Replacement Parts

Item	Part Number	Description	Material
1	140-065**-01	Cover Assembly	Grey Thermoplastic
2	687-499-2	Cover Screw Assembly	316 SST/Passivate
3	687-305Z129	Mounting Plate Assembly	300 SST/Passivate

TABLE III: Mounting Plate Assembly

Dash No.	2.000" Mntg Holes	2.880" Mntg Holes	MIL-T-55164 A-A-59125	Number of Terminals	Max No of Wires	Recm'd Max Wire Size	Recm'd Lug MS17143	Qty Blocks per Assembly	Symbol Number	Military Specification
01T1	6TB06F	-	/12	6	24	#14 AWG	-5	1	-	-
01T2	25TB05F	-	/23	5	10	#14 AWG	-17	1	-	-
01T3	-	4TB085	/10	8	32	#12 AWG	-3	1	435.1	MIL-T-24588/2
01T4	-	6TB10F	/12	10	30	#14 AWG	-5	1	528	MIL-T-24588/3
01T5	-	15TB10F	/19	10	40	#14 AWG	-8	1	-	-
01T6	-	16TB04F	/20	4	08	#12 AWG	-3	1	444	MIL-T-24588/18

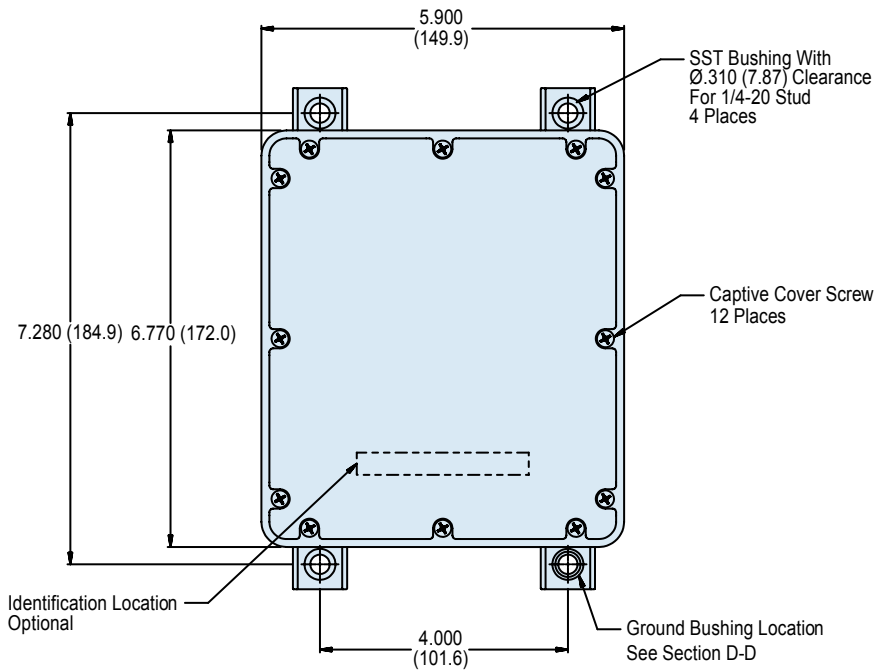
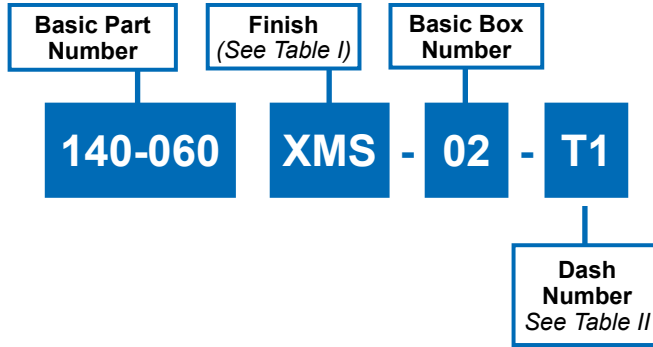
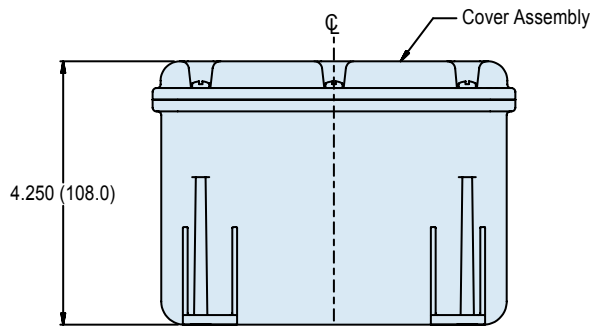


FIGURE 1 TOP VIEW



140-060XMS-02
(NSN: 5975-01-557-2672)
12 Terminal Grounded Composite Junction Box
15 Ft. Submersion



Composite
Boxes

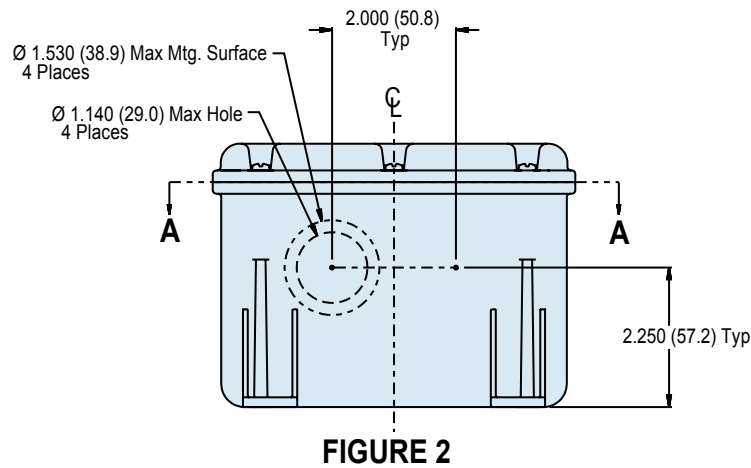
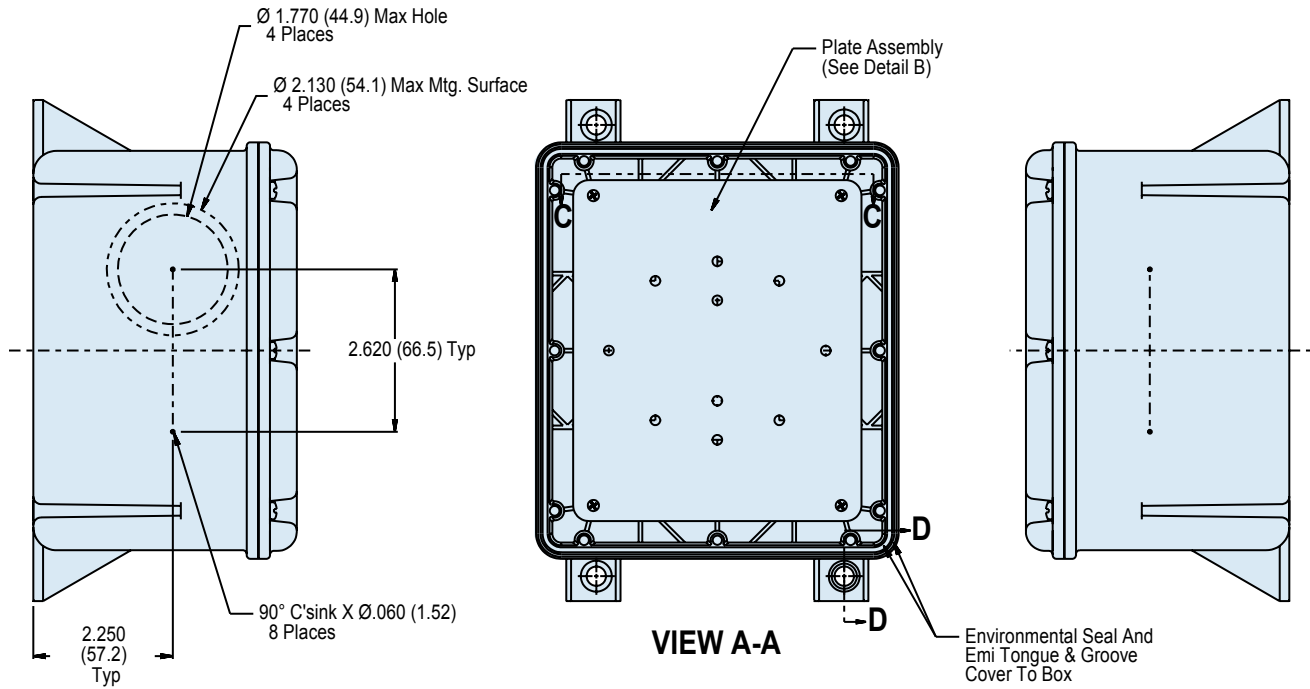
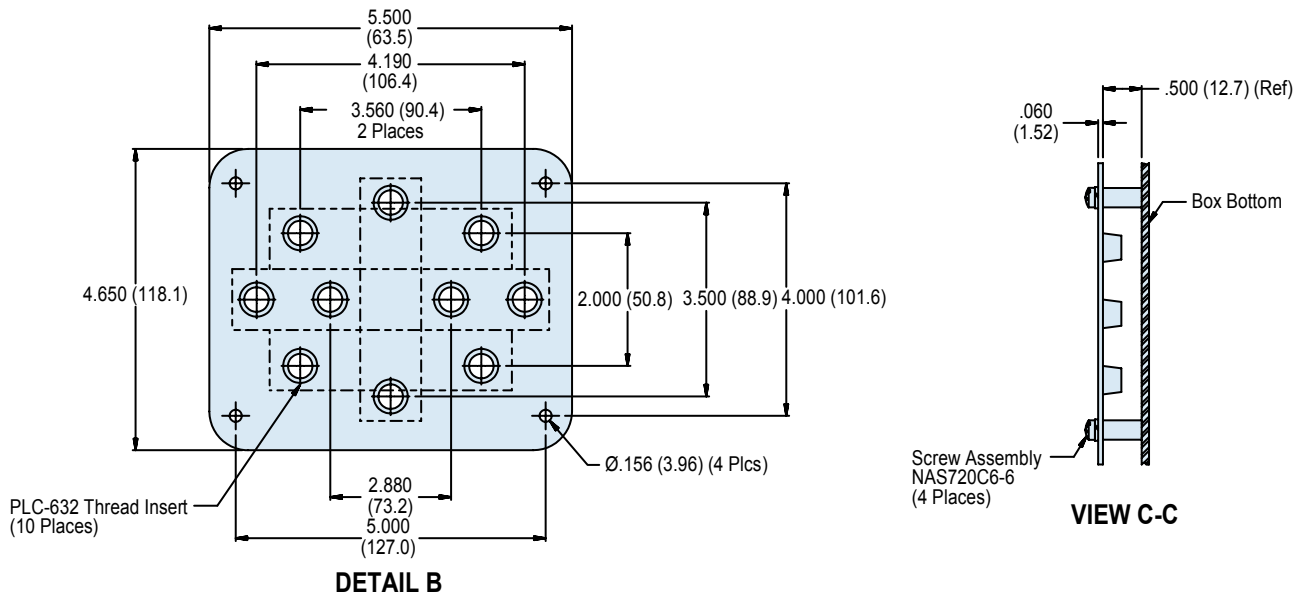


FIGURE 2

E



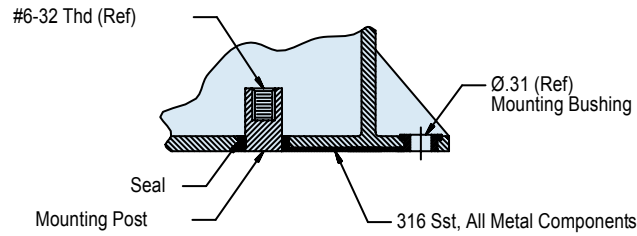
APPLICATION NOTES

1. Assembly identified with manufacturer's code identification number (Glenair, part number and classification code 490).
2. Color may be subject to fading, however UV exposure will not affect material physical properties.
3. Assembly is similar to symbol part numbers and require installation in accordance with NAVSEA drawing 803-6983506.
4. Material / Finish:
 Box, cover - Thermoplastic grey color/see Table I.
 Hardware - 316 SST/passivate.
 Seals and gaskets - Silicone/N.A.
 Mounting Plate - 300 series SST/passivate.
5. NAVSEA approved; Dwg 803-698-3506.
6. Metric dimensions (mm) are indicated in parentheses.

140-060XMS-02
(NSN: 5975-01-557-2672)
12 Terminal Grounded Composite Junction Box
15 Ft. Submersion



Composite
Boxes



SECTION D-D
Electrical Ground Through Internal Mounting Post To External Mounting Bushing

TABLE I: Finish	
Symbol	Description
XMS	Internal Surfaces - Electroless Nickel Exterior Surfaces - Unplated Light Grey Color
XO	No Plating

TABLE II: Replacement Parts			
Item	Part Number	Description	Material
1	140-065**-17	Cover Assembly	Grey Thermoplastic
2	687-499-2	Cover Screw Assembly	316 SST/Passivate
3	687-305Z130	Mounting Plate Assembly	300 SST/Passivate

TABLE II: Mounting Plate Assembly											
Dash No.	2.000" Mntg Holes	2.880" Mntg Holes	3.500" Mntg Holes	3.560" Mntg Holes	4.190" Mntg Holes	MIL-T-55164 A-A-59125	Number of Terminals	Max No of Wires	Recm'd Max Wire Size	Recm'd Lug MS17143	Qty Blocks per Assembly
02T1	6TB60F	-	-	-	-	/12	6	40	#14 AWG	-5	2
02T2	25TB05F	-	-	-	-	/23	5	20	#14 AWG	-17	2
02T3	-	4TB08F	-	-	-	/10	8	32	#12 AWG	-3	1
02T4	-	5TB0F	-	-	-	/12	10	30	#14 AWG	-5	1
02T5	-	15TB0F	-	-	-	/19	10	40	#14 AWG	-8	1
02T6	-	16TB04F	-	-	-	/20	8 W/ STUD 16 W/O/W/O	8	#12 AWG	-3	1
02T7	-	-	8TB08F	-	-	/14	10	32	#14 AWG	-11	1
02T8	-	-	-	25TB10F	-	/23	10 W/ STUD 20 W/O/W/O	40	#14 AWG	-17	2
02T9	-	-	-	26TB10F	-	/24	12	80	#16 AWG	-20	2
03210	-	-	-	-	25TB12F	/23	12W/ STUD 20 W/O	24	#14 AWG	-17	1
03T11	-	-	-	-	26TB12F	/24		48	#16 AWG	-20	1



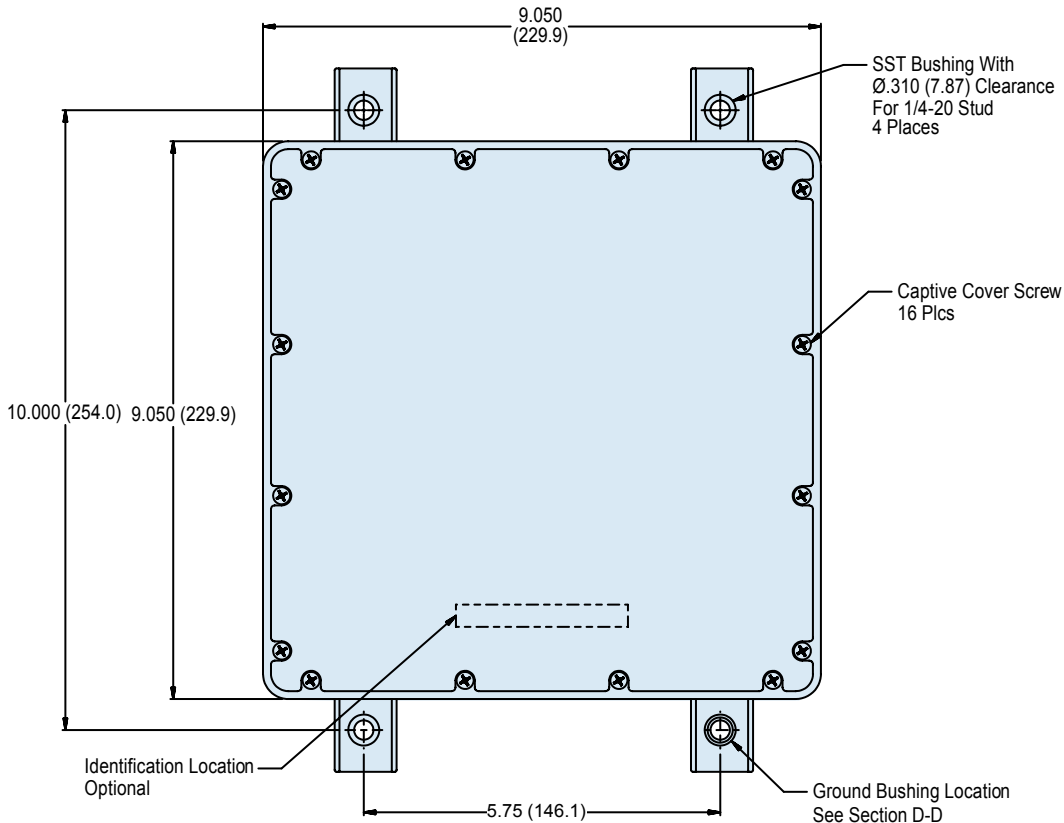
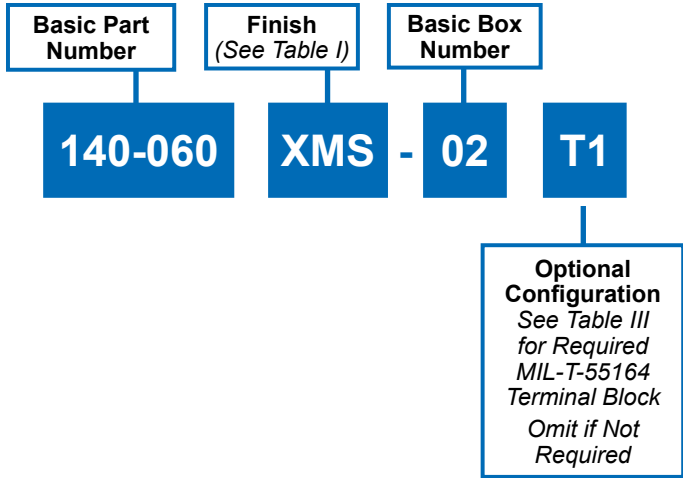


FIGURE 1 TOP VIEW

140-060XMS-03
(NSN: 5975-01-557-2679)
48 Terminal Grounded Composite Junction Box
15 Ft. Submersion



Composite
Boxes

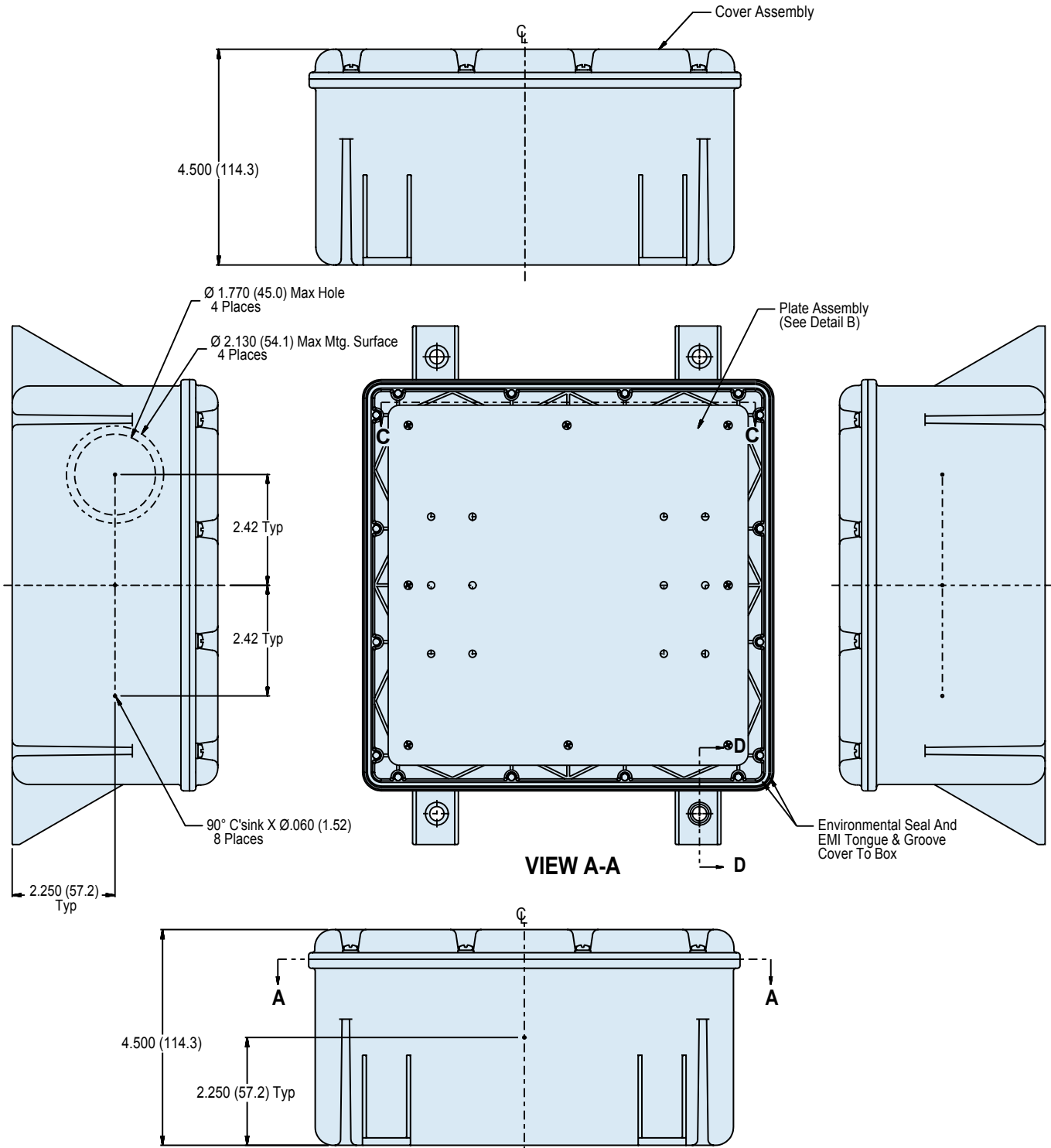
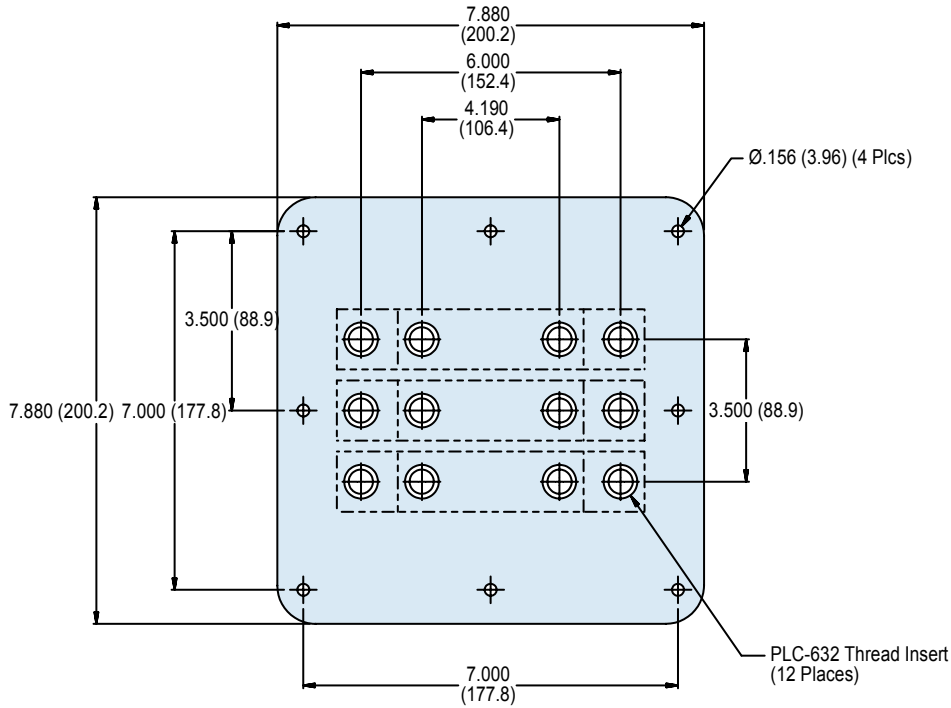
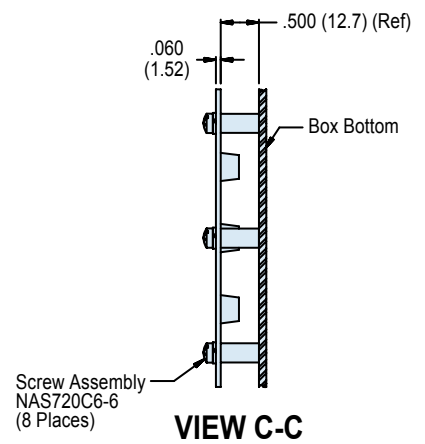


FIGURE 2

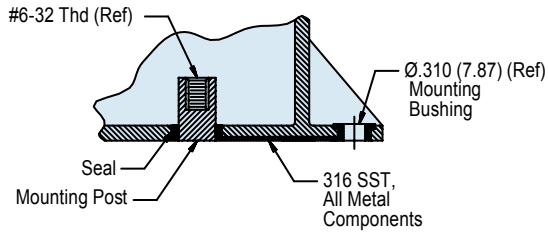




DETAIL B



VIEW C-C



SECTION D-D

Electrical Ground Through Internal
Mounting Post To External Mounting Bushing

APPLICATION NOTES

- | | |
|---|--|
| <ol style="list-style-type: none"> 1. Assembly identified with manufacturer's code identification number (Glenair, part number and classification code 490). 2. Color may be subject to fading, however UV exposure will not affect material physical properties. 3. Assembly is similar to symbol part numbers and require installation in accordance with NAVSEA drawing 803-6983506. 4. NAVSEA approved; Dwg 803-698-3506. | <ol style="list-style-type: none"> 5. Material / Finish:
 Box, cover - Thermoplastic grey color/see Table I.
 Hardware - 316 SST/passivate.
 Seals and gaskets - Silicone/N.A.
 Mounting Plate - 300 series SST/passivate. 6. Metric dimensions (mm) are indicated in parentheses. |
|---|--|

140-060XMS-03
(NSN: 5975-01-557-2679)
48 Terminal Grounded Composite Junction Box
15 Ft. Submersion



TABLE I: Finish

Symbol	Description
XMS	Internal Surfaces - Electroless Nickel Exterior Surfaces - Unplated Light Grey Color
XO	No Plating

TABLE II: Replacement Parts

Item	Part Number	Description	Material
1	140-065**-15	Cover Assembly	Grey Thermoplastic
2	687-499-2	Cover Screw Assembly	316 SST/Passivate
3	687-305Z131	Mounting Plate Assembly	300 SST/Passivate

TABLE III: MIL-T-55164 Terminal Block

Part Number	National Stock Number
140-060XMS-03	5935-01-557-2679
140-060XMS-03T1	5940-01-556-9489
140-060XMS-03T2	5940-01-557-2564
140-060XMS-03T5	5940-01-5576-2578
140-060XMS-03T9	5940-01-557-2582
140-060XMS-03T10	5940-01-556-9494
140-060XMS-03T11	5940-01-557-2563
140-060XMS-03T12	5940-01-556-9499

TABLE IV: Mounting Plate Assembly

Dash No.	6.000" Mntg Holes	4.190" Mntg Holes	MIL-T-55164 A-A-59125	Number of Terminals	Max No of Wires	Recm'd Max Wire Size	Recm'd Lug MS17143	Qty Blocks per Assembly	Symbol Number	Military Specification
03T1	4TB20F	-	/10	20	80	#12 AWG	-3	1	432.1	MIL-T-24558/4
03T2	6TB06F/24F	-	/12	30	90	#14 AWG	-5	2	434	MIL-T-24558/5
03T3	10TB28F	-	/16	56	168	#14 AWG	-	2	-	-
03T4	15TB24F	-	/19	48	144	#14 AWG	-8	2	-	-
03T5	16TB10F	-	/20	10	20	#12 AWG	-3	1	529	MIL-T-24588/20
03T6	17TB10F	-	/21	10W/STUD 20 W/O	80	#12 AWG	-3	2	-	-
03T7	-	25TB12F	/23	36	72	#14 AWG	-17	3	-	-
03T8	-	26TB12F	/24	24W/STUD 48 W/O	96	#16 AWG	-20	2	-	-
03T9	4TB20F	-	/10	40	160	#12 AWG	-3	2	433.1	MIL-T-24588/6
03T10	6TB24F	-	/12	48	144	#14 AWG	-5	2	522.1	MIL-T-24588/7
03T11	4TB20T	-	/10	60	240	#12 AWG	-3	3	446	MIL-T-24588/8
03T12	6TB24F	-	/12	72	216	#14 AWG	-5	3	525	MIL-T-24588/9

140-060XMS-05
 (NSN: 5975-01-556-7948)
4 Terminal Grounded Composite Junction Box
 15 Ft. Submersion • Size 4.3 x 4.8 x 2.9

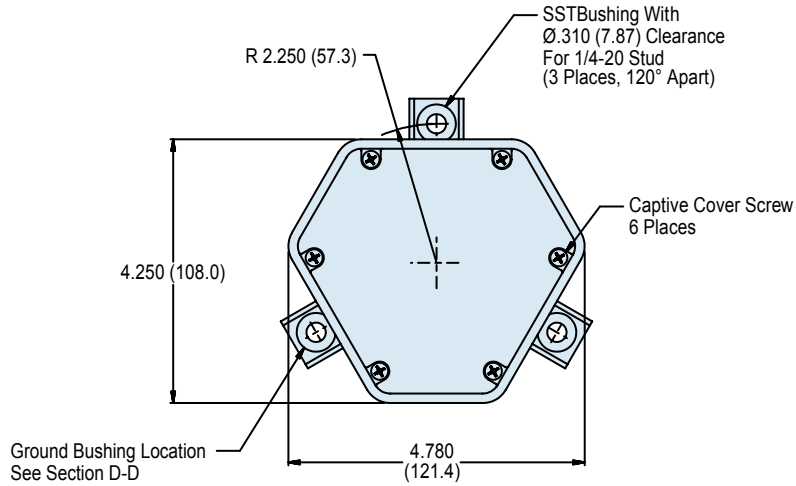
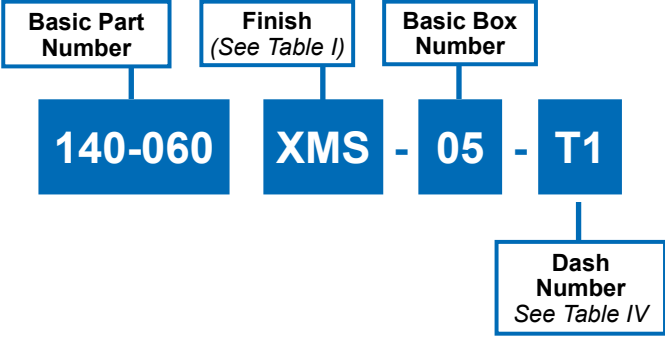
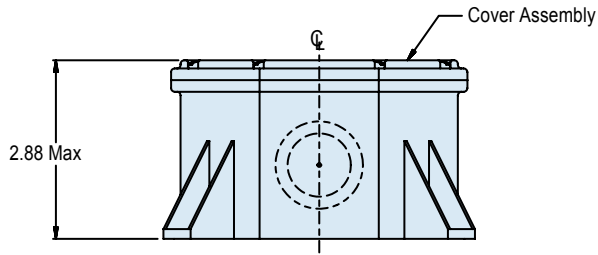


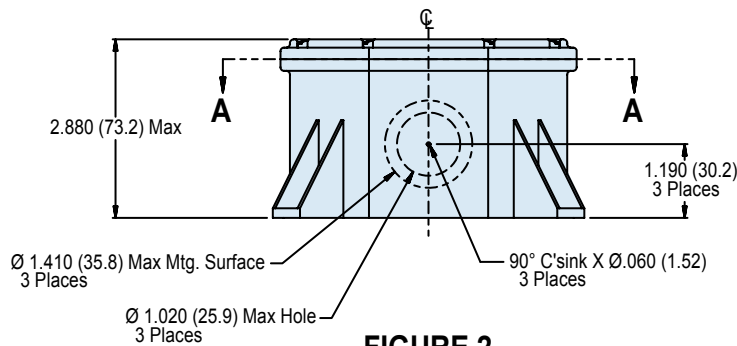
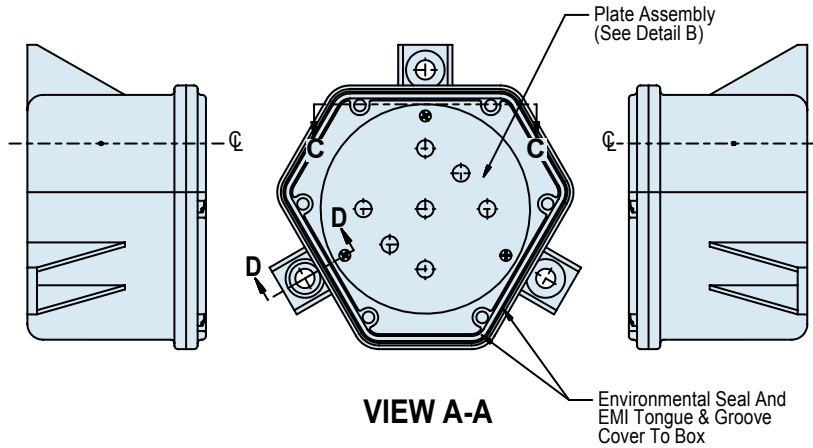
FIGURE 1 TOP VIEW

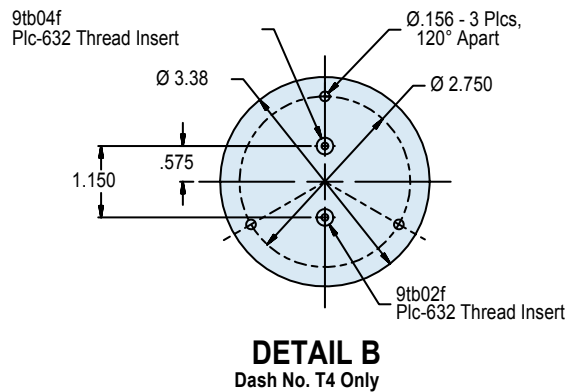
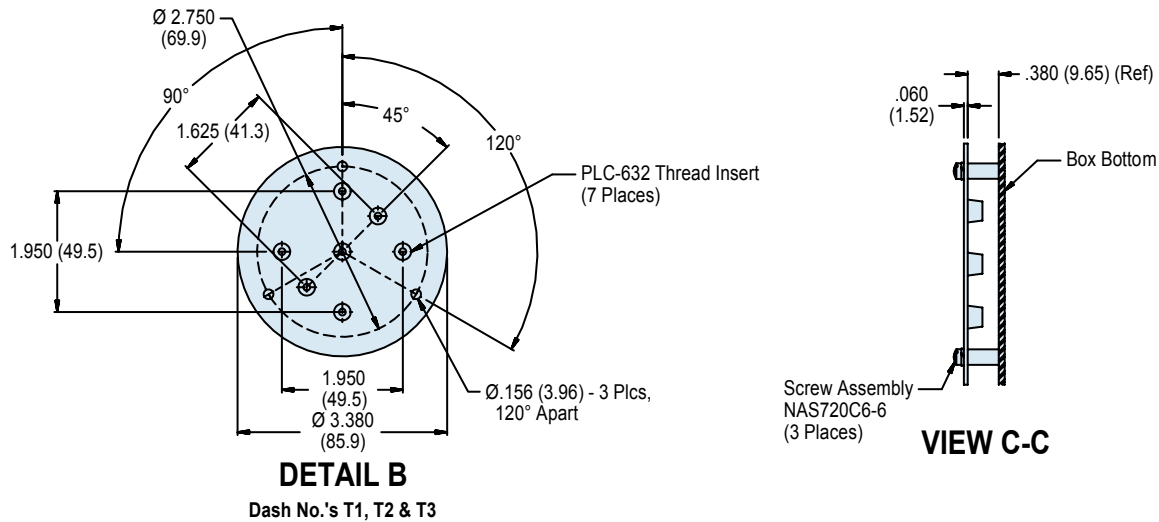


140-060XMS-05
(NSN: 5975-01-556-7948)
4 Terminal Grounded Composite Junction Box
15 Ft. Submersion • Size 4.3 x 4.8 x 2.9



Composite
Boxes





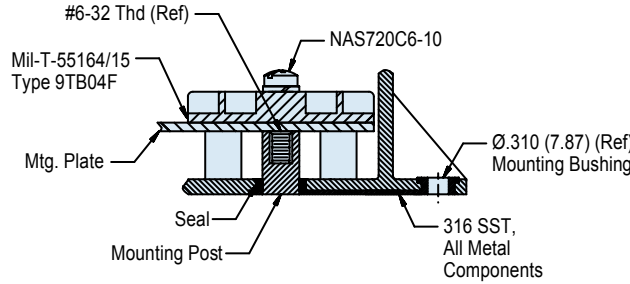
APPLICATION NOTES

1. Assembly identified with manufacturer's code identification number (Glenair, part number and classification code 490).
2. Color may be subject to fading, however UV exposure will not affect material physical properties.
3. Assembly is similar to symbol part numbers and require installation in accordance with NAVSEA drawing 803-6983506.
4. Material / Finish:
Box, cover - Thermoplastic grey color/see Table I.
Hardware - 316 SST/passivate.
Seals and gaskets - Silicone/N.A.
Mounting Plate - 300 series SST/passivate.
5. NAVSEA approved; Dwg 803-698-3506.
6. Metric dimensions (mm) are indicated in parentheses.

140-060XMS-05
(NSN: 5975-01-556-7948)
4 Terminal Grounded Composite Junction Box
15 Ft. Submersion • Size 4.3 x 4.8 x 2.9



Composite
Boxes



SECTION VIEW D-D

Terminal Block Mounting Plate, Internal
 Mounting Post And External Mounting Bushing
 (Ground Option Shown)

TABLE I: Finish

Symbol	Description
XMS	Internal Surfaces - Electroless Nickel Exterior Surfaces - Unplated Light Grey Color
XO	No Plating

TABLE II: MIL-T-55164 Terminal Block

Part Number	National Stock Number
140-060XMS-05	5975-01-556-7948
140-060XMS-05T1	5940-01-557-2579
140-060XMS-05T4	5940-01-557-2712

TABLE III: Replacement Parts

Item	Part Number	Description	Material
1	140-065**-15	Cover Assembly	Grey Thermoplastic
2	687-499-2	Cover Screw Assembly	316 SST/Passivate
3	687-305Z131	Mounting Plate Assembly	300 SST/Passivate

TABLE IV: Mounting Plate Assembly

Dash No.	1.950" Mntg Holes	1.625" Mntg Holes	MIL-T-55164 A-A-59125	Number of Terminals	Max No of Wires	Recm'd Max Wire Size	Recm'd Lug MS17143	Qty Blocks per Assembly	Symbol Number	Military Specification
05T1	9TB04F	-	/15	4	8	#12 AWG	-	1	-	-
05T2	6TB06F	-	/12	6	18	#14 AWG	-5	1	520.1	MIL-T-24588/1
05T3	25TB05F	-	/23	5	10	#14 AWG	-17	1	-	-
05T4	T4 Detail	-	/15	6	12	-	-	2	400	MIL-T-24588/18



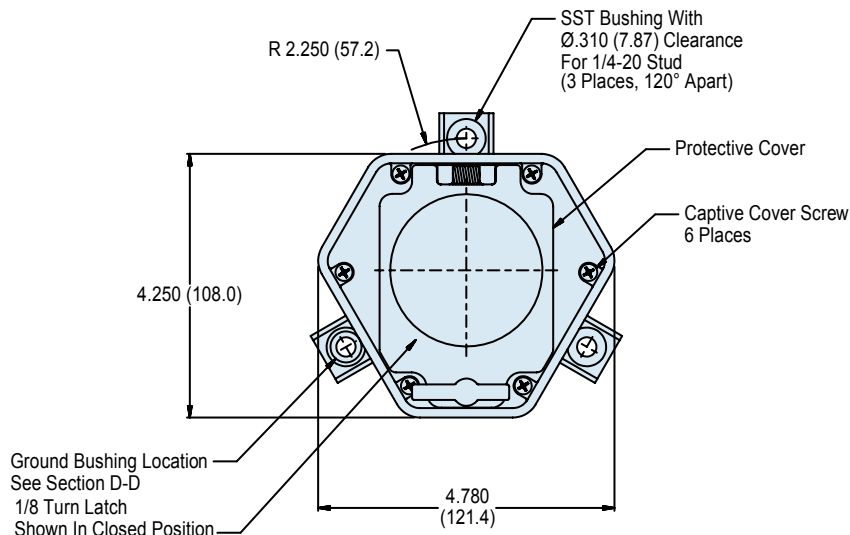
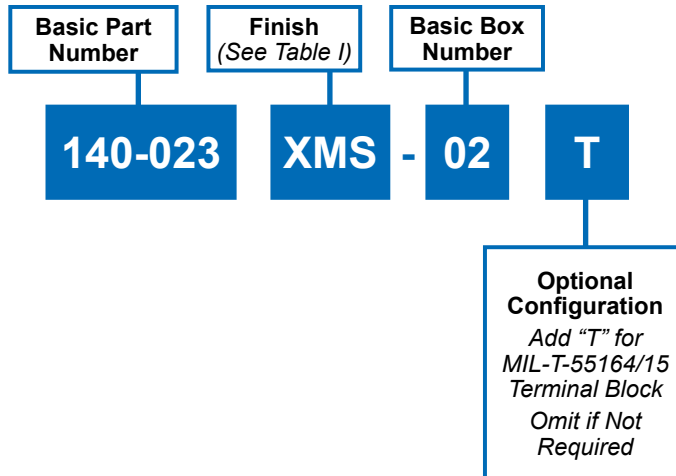
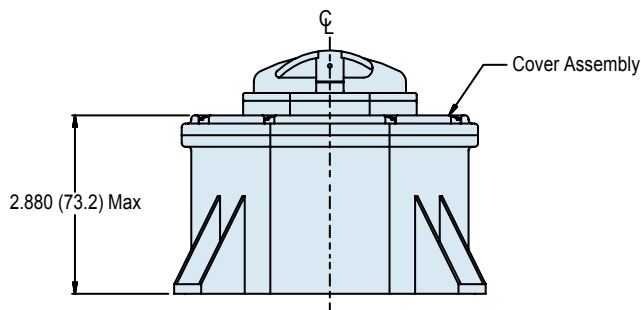


FIGURE 1 TOP VIEW



147-023XMS-02
 (NSN: 5940-01-557-2667)
 15 Amp, 115 V Blade Type Receptacle Composite Box
 Grounded • Size 4.3 x 4.8 x 2.9



Composite
Boxes

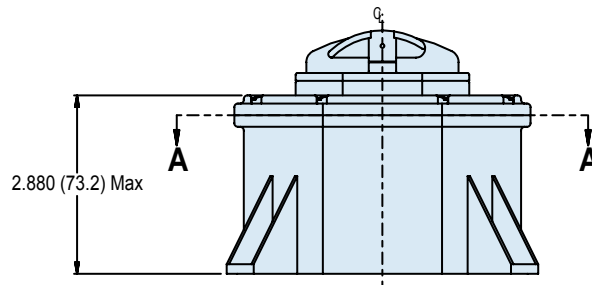
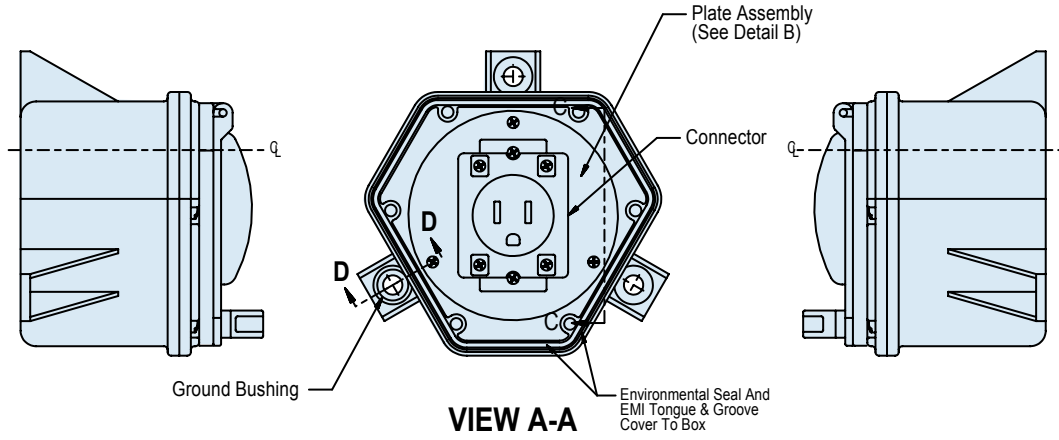
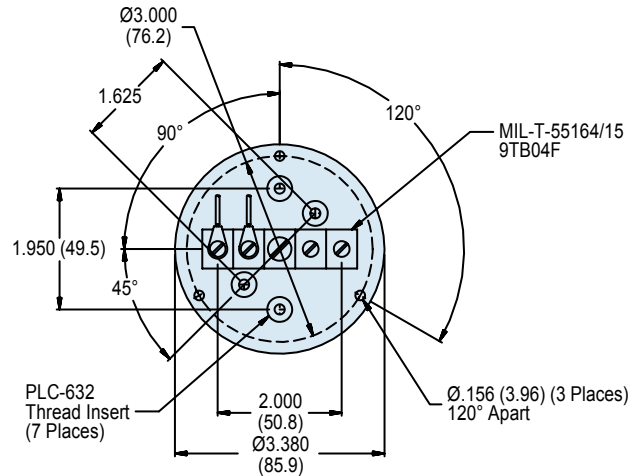


FIGURE 2

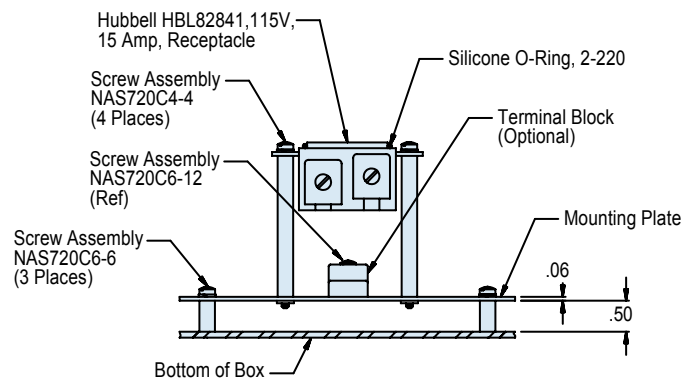


147-023XMS-02

(NSN: 5940-01-557-2667)

15 Amp, 115 V Blade Type Receptacle Composite Box
Grounded • Size 4.3 x 4.8 x 2.9


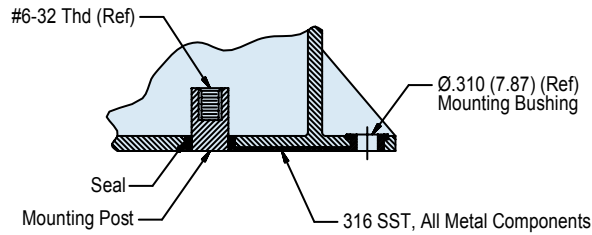
DETAIL B



VIEW C-C

APPLICATION NOTES

1. Assembly identified with manufacturer's code identification number (Glenair, part number and classification code 490).
2. Color may be subject to fading, however UV exposure will not affect material physical properties.
3. Assembly is similar to symbol part numbers and require installation in accordance with NAVSEA drawing 803-6983506.
4. Material / Finish:
 Box, cover - Thermoplastic grey color/see Table I.
 Hardware - 316 SST/passivate.
 Seals and gaskets - Silicone/N.A.
 Mounting Plate - 300 series SST/passivate.
5. NAVSEA approved; Dwg 803-698-3506.
6. Metric dimensions (mm) are indicated in parentheses.



SECTION D-D
Electrical Ground Through Internal
Mounting Post To External Mounting Bushing

TABLE I: Finish	
Symbol	Description
XMS	Internal Surfaces - Electroless Nickel Exterior Surfaces - Unplated Light Grey Color
XO	No Plating

TABLE II: Replacement Parts			
Item	Part Number	Description	Material
1	140-065**-02	Cover Assembly	Grey Thermoplastic
2	687-499-2	Cover Screw Assembly	316 SST/Passivate
3	687-305Z132	Mounting Plate Assembly	300 Series SST
4	630-038XO-04K	1/8 Turn Flop Lid	Grey Thermoplastic
5	HBL8284I	Electrical Connector	N/A



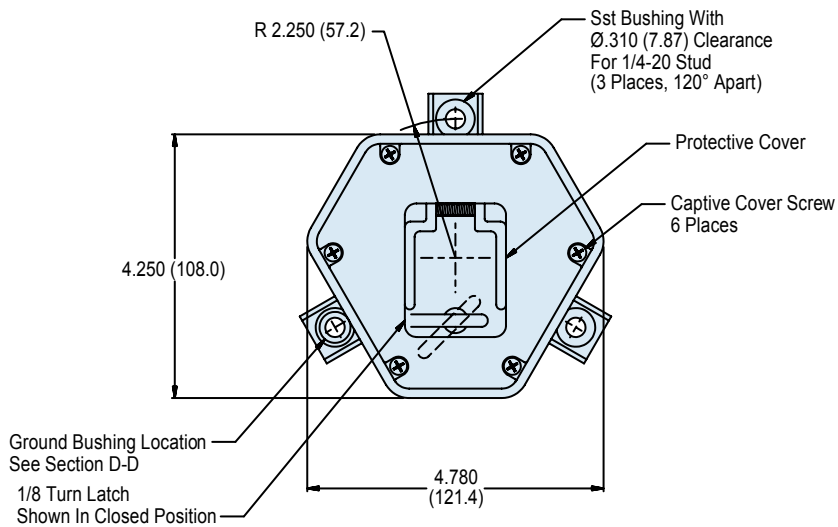
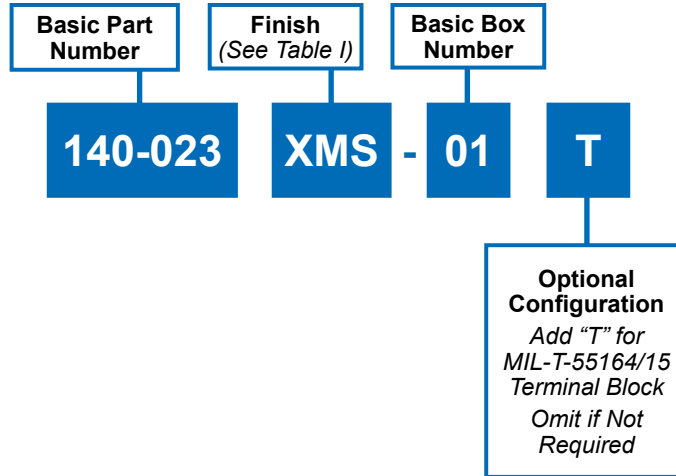
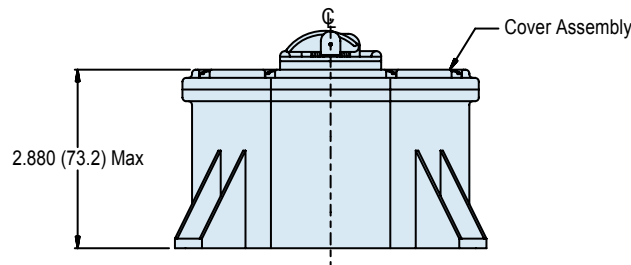


FIGURE 1 TOP VIEW



147-023XMS-01
 (NSN: 5940-01-557-2645)
 15 Amp, 115 V Blade Type Receptacle Composite Box
 Grounded • Size 4.3 x 4.8 x 2.9



Composite
Boxes

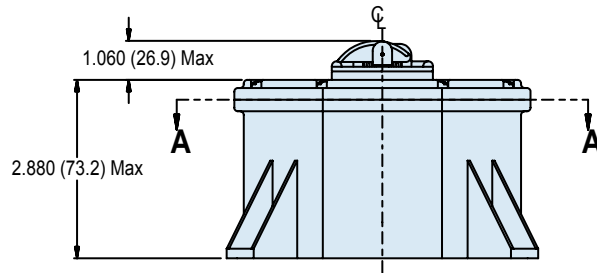
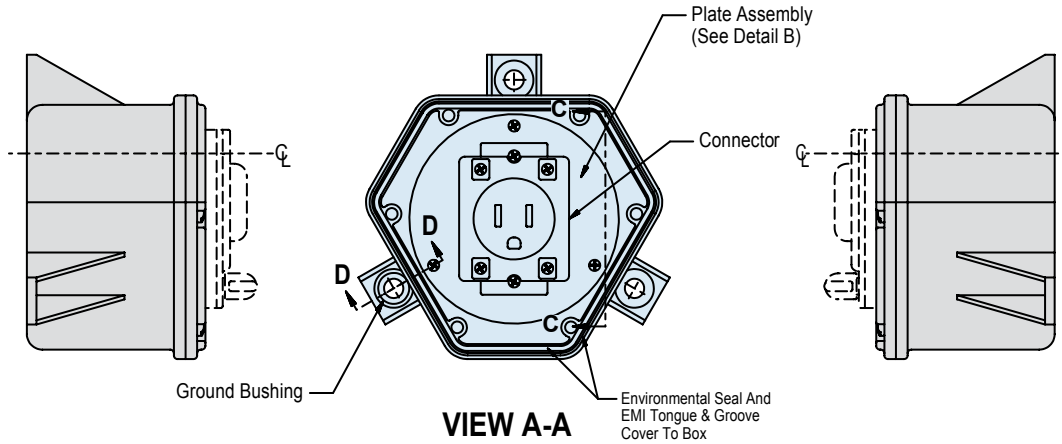
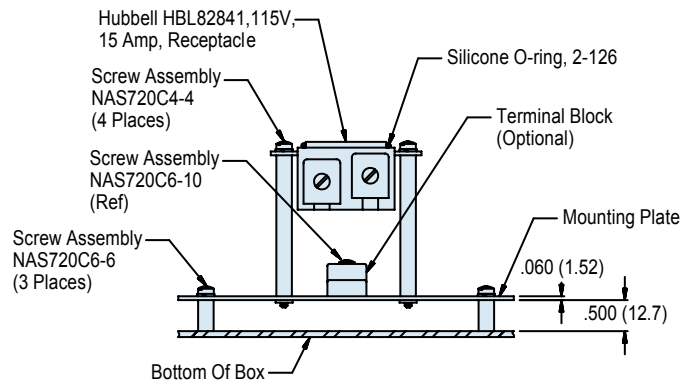
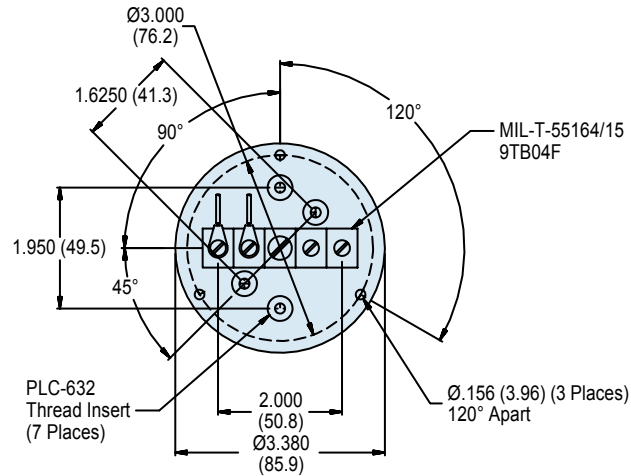


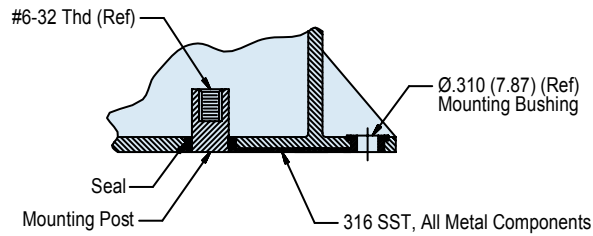
FIGURE 2





APPLICATION NOTES

1. Assembly identified with manufacturer's code identification number (Glenair, part number and classification code 490).
2. Color may be subject to fading, however UV exposure will not affect material physical properties.
3. Assembly is similar to symbol part numbers and require installation in accordance with NAVSEA drawing 803-6983506.
4. Material / Finish:
 Box, cover - Thermoplastic grey color/see Table I.
 Hardware - 316 SST/passivate.
 Seals and gaskets - Silicone/N.A.
 Mounting Plate - 300 series SST/passivate.
5. NAVSEA approved; Dwg 803-698-3506.
6. Metric dimensions (mm) are indicated in parentheses.



SECTION D-D

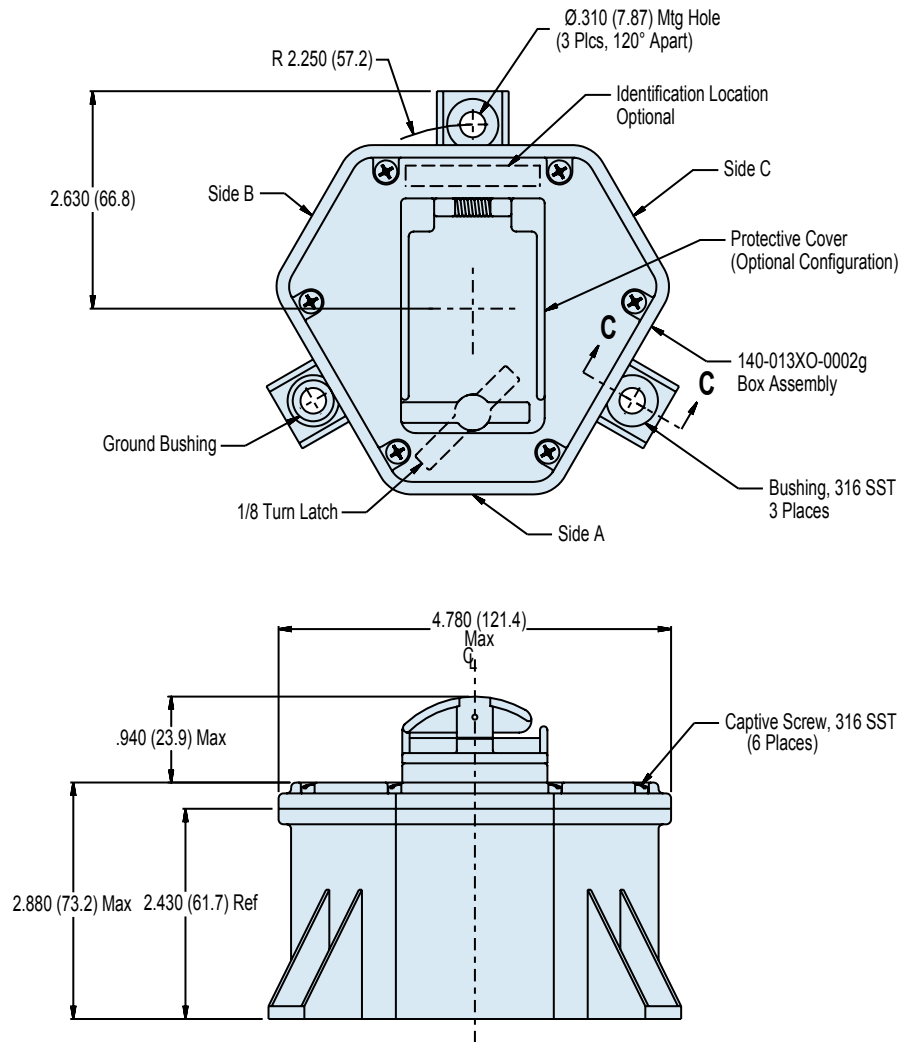
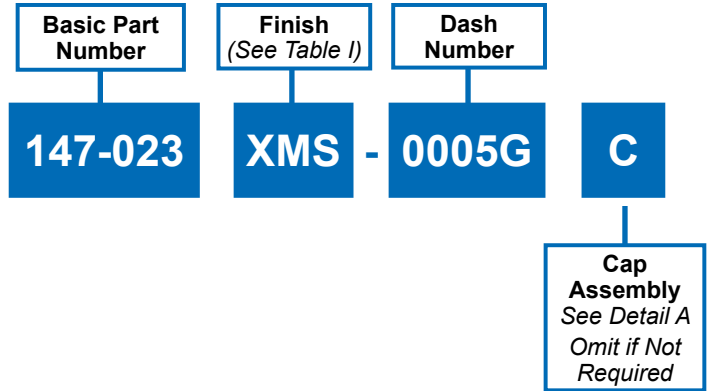
**Electrical Ground Through Internal
Mounting Post To External Mounting Bushing**

TABLE I: Finish

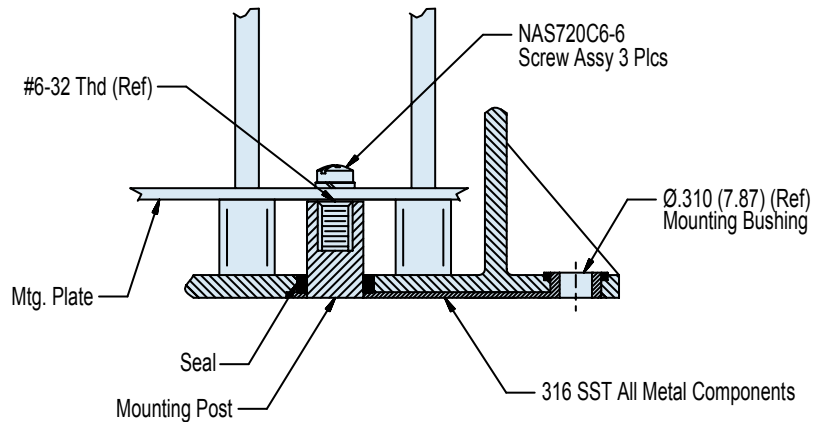
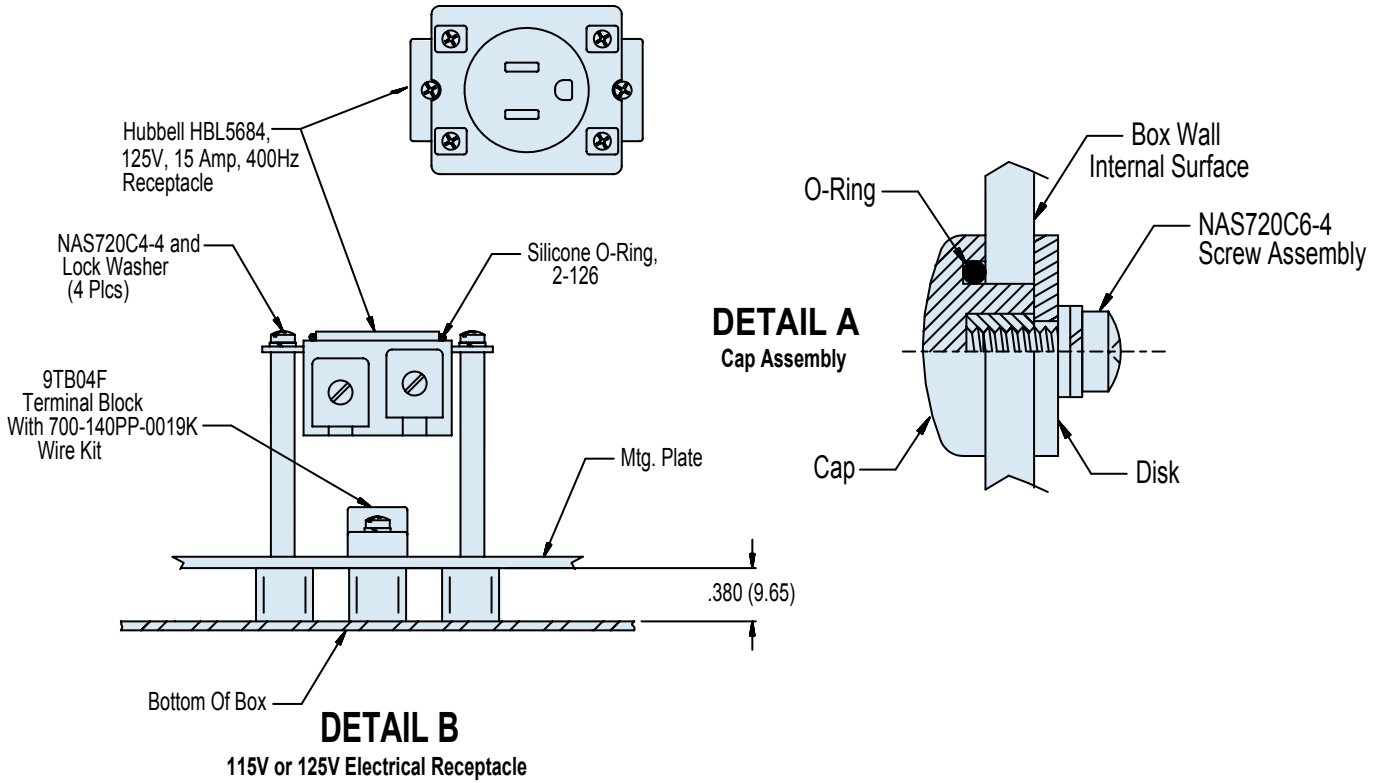
Symbol	Description
XMS	Internal Surfaces - Electroless Nickel Exterior Surfaces - Unplated Light Grey Color
XO	No Plating

TABLE II: Replacement Parts

Item	Part Number	Description	Material
1	140-065**-02	Cover Assembly	Grey Thermoplastic
2	687-499-2	Cover Screw Assembly	316 SST/Passivate
3	687-305Z132	Mounting Plate Assembly	300 Series SST
4	630-038XO-04K	1/8 Turn Flop Lid	Grey Thermoplastic
5	HBL8284I	Electrical Connector	N/A

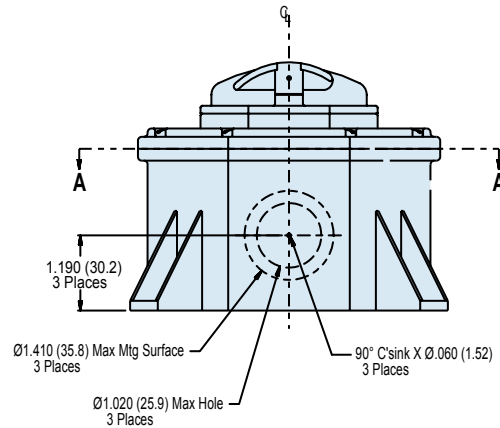
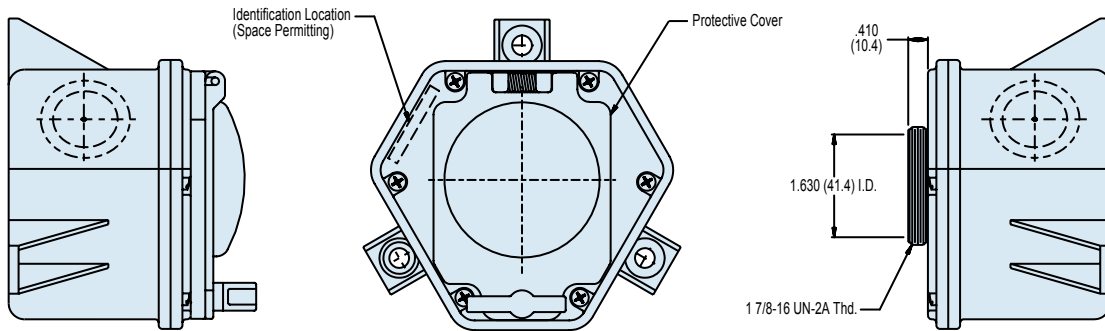
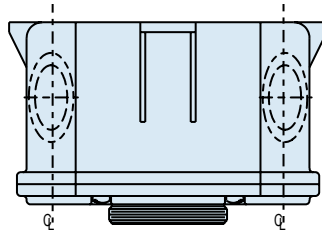


E



SECTION VIEW C-C
 Mounting Plate, Internal Mounting Post and
 External Mounting Bushing (Ground Option Shown)





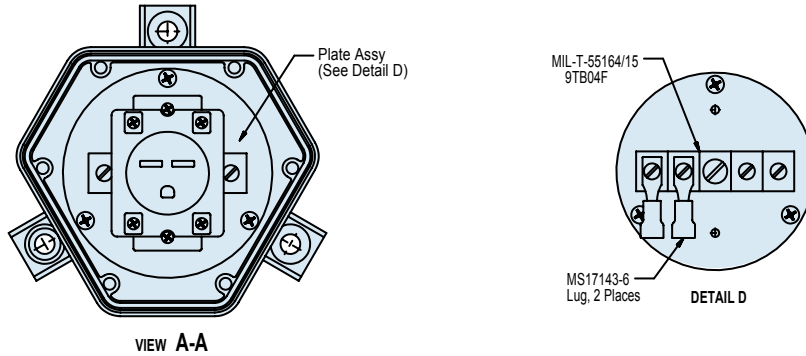


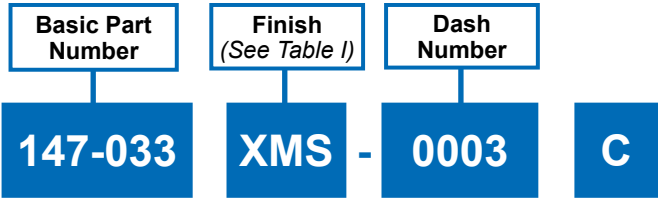
TABLE I: Finish

Symbol	Description
XMS	Internal Surfaces - Electroless Nickel Exterior Surfaces - Unplated Light Grey Color
XO	No Plating

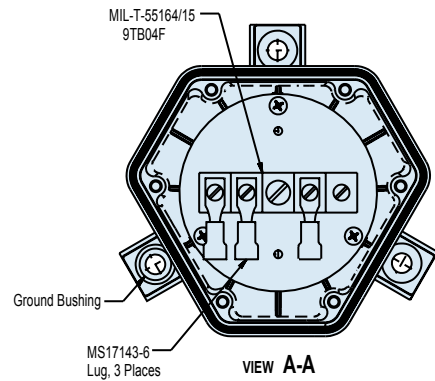
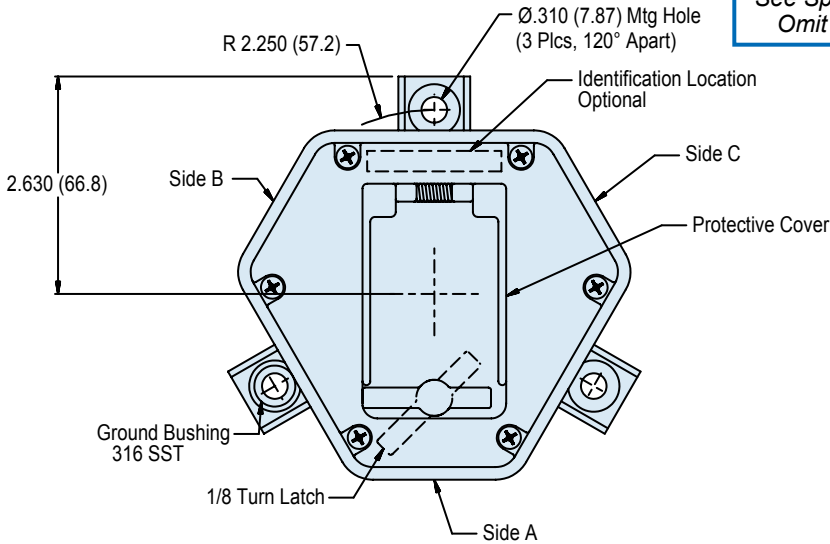
APPLICATION NOTES

1. Assembly identified with manufacturer's code identification number (Glenair, part number and classification code 490).
2. Accommodates one each, 115V or 125V, 15 Amp electrical connector receptacle (See Detail B).
3. Material / Finish:
 Box, cover - Thermoplastic grey color/see Table I.
 Hardware - 316 SST/passivate.
 Seals and gaskets - Silicone/N.A.
 Mounting Plate - Al alloy/electroless nickel or 300 series SST/passivate.
4. Dash 0005G NAVSEA approved, see 803-6983506.
5. Metric dimensions (mm) are indicated in parentheses.

147-033XMS-0003
 (NSN: 5940-01-557-2725)
EMI/Environmental Composite Electrical Box
for MS3402 Receptacle Connector • Grounded



C Option Supplied with Connector Assembly
 See Specific Eng. Dwgs.
 Omit if Not Required



E

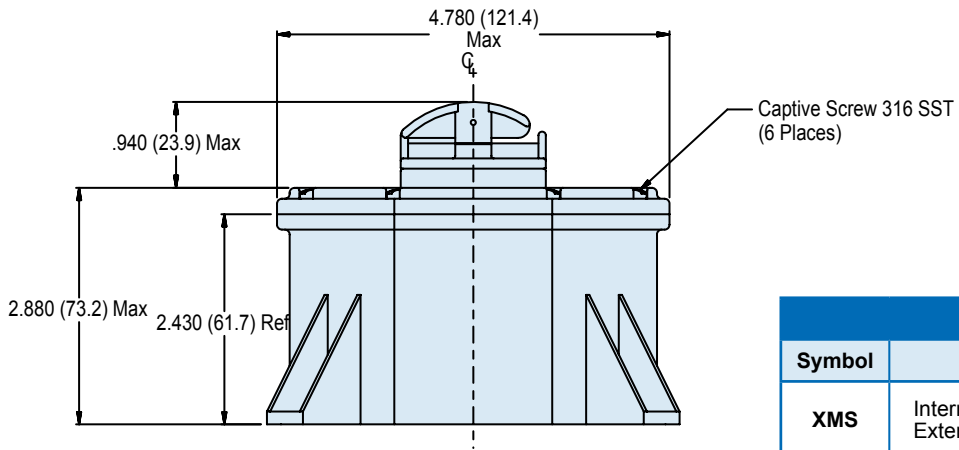
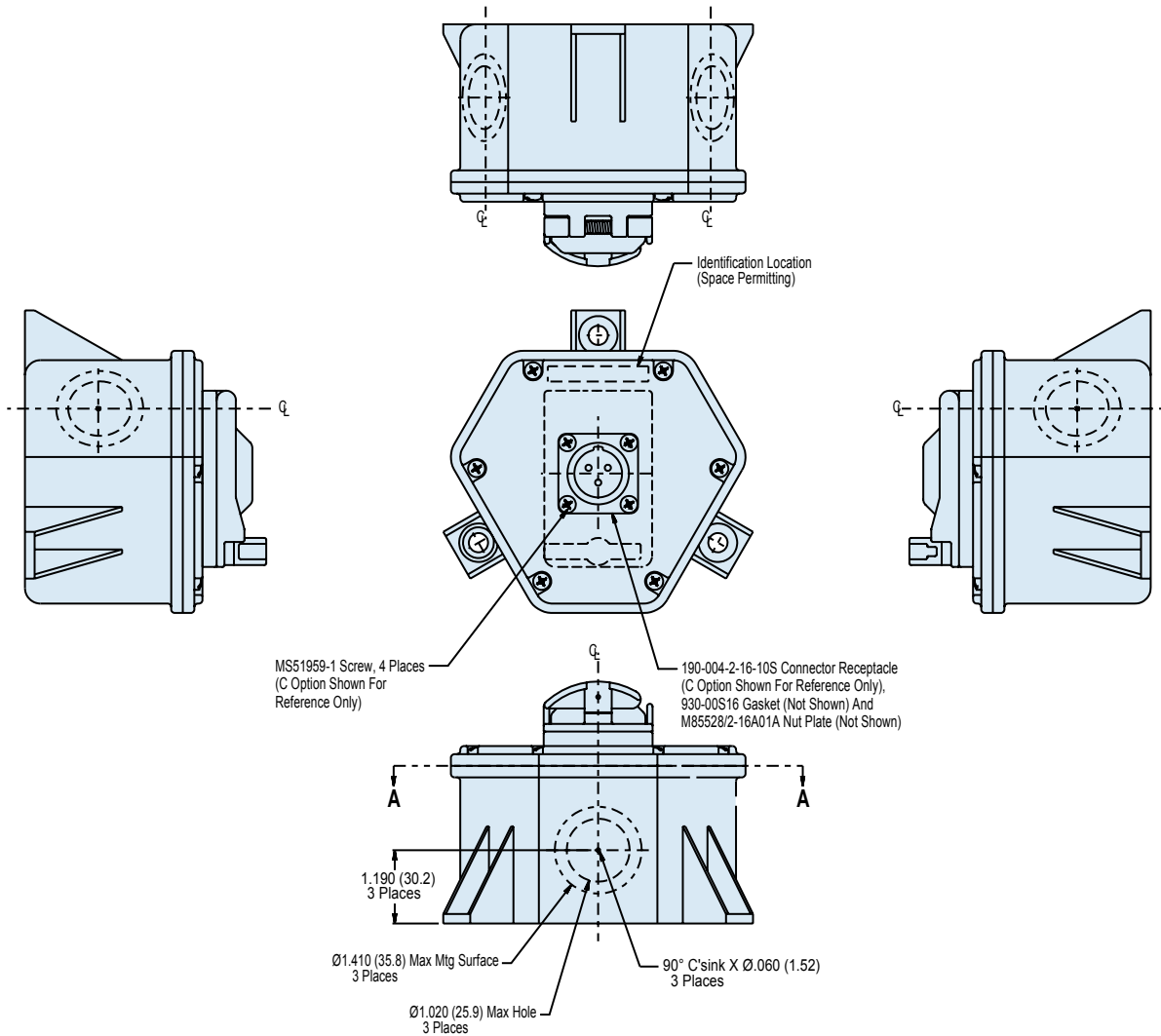


TABLE I: Finish	
Symbol	Description
XMS	Internal Surfaces - Electroless Nickel Exterior Surfaces - Unplated Light Grey Color
XO	No Plating

147-033XMS-0003
(NSN: 5940-01-557-2725)
EMI/Environmental Composite Electrical Box
for MS3402 Receptacle Connector • Grounded

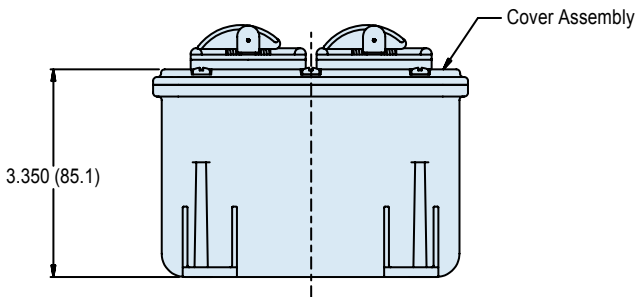
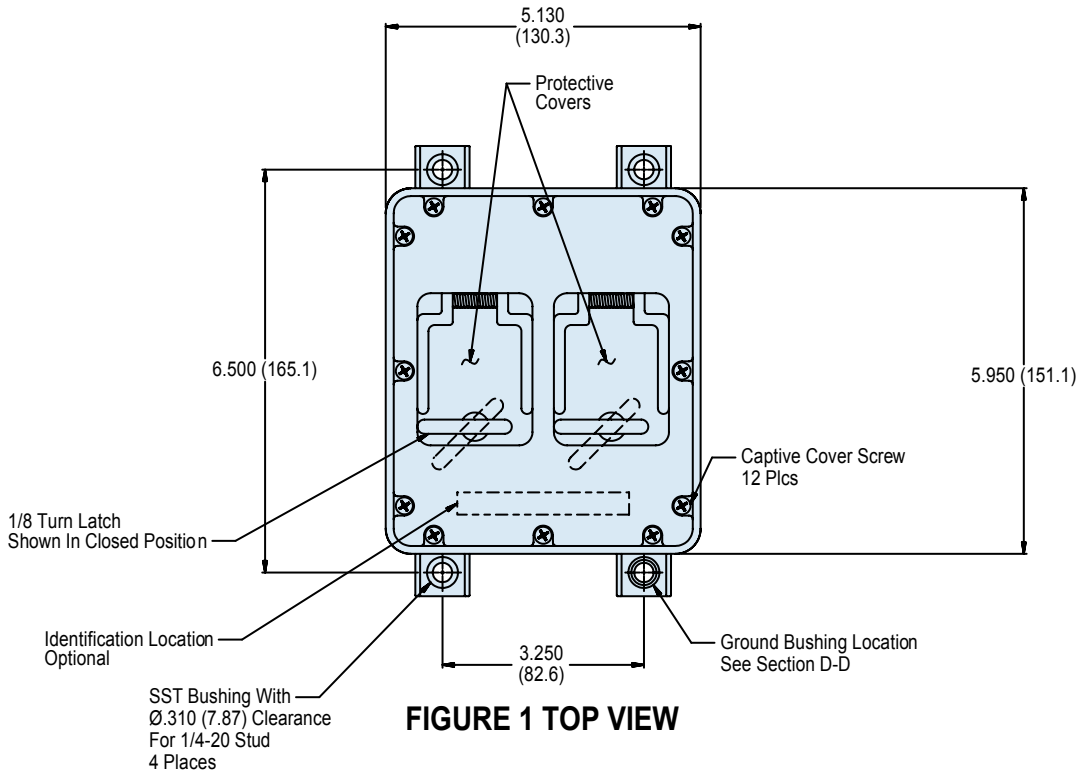


APPLICATION NOTES

1. Assembly identified with manufacturer's code identification number (Glenair, part number and classification code 490).
2. Material / Finish:
 Box, cover - Thermoplastic grey color/see Table I.
 Hardware - 316 SST/passivate.
 Seals and gaskets - Silicone/N.A.
 Mounting Plate - 300 series SST/passivate.
3. Dash 0003 NAVSEA approved, see 803-6983506.
4. Glenair recommended mating connector plug and backshell: 190-004-6-16-10P.
5. Metric dimensions (mm) are indicated in parentheses.

147-020XMS-02
(NSN: 5975-01-556-9504)
Dual Electrical Blade Type Receptacle Composite Box
15 Amp, 125 Volt 60 Hz, Grounded • Size 6.0 x 5.2 x 3.4

Basic Part Number	Finish (See Table I)	Basic Box Number
147-020	XMS	- 02

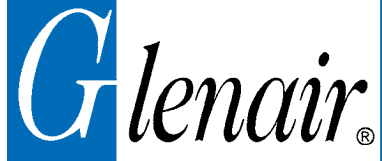


E

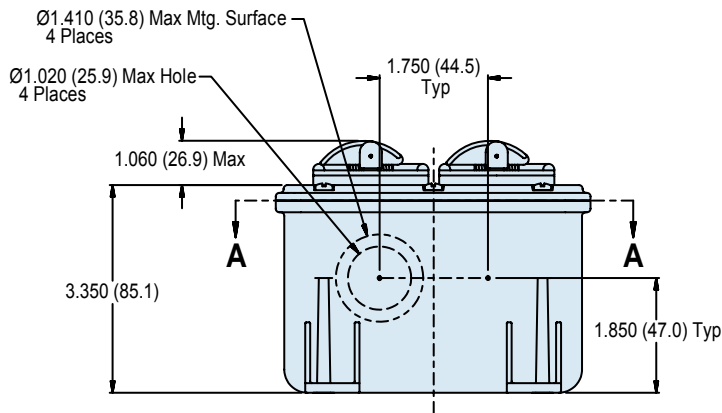
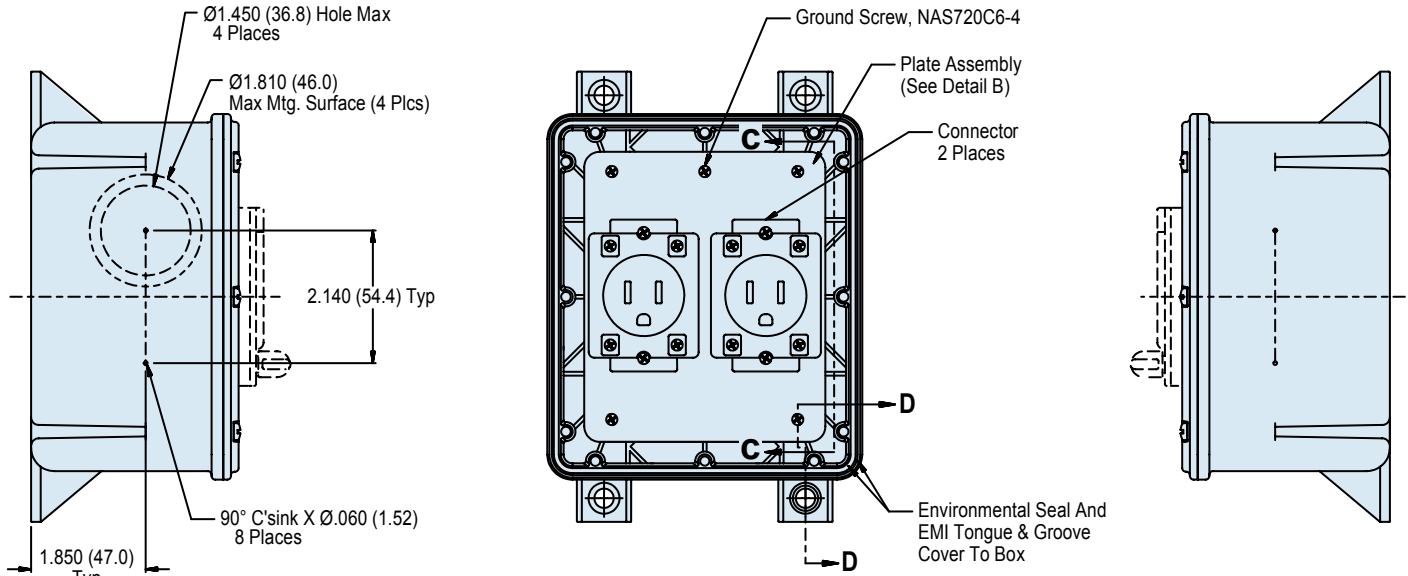
147-020XMS-02

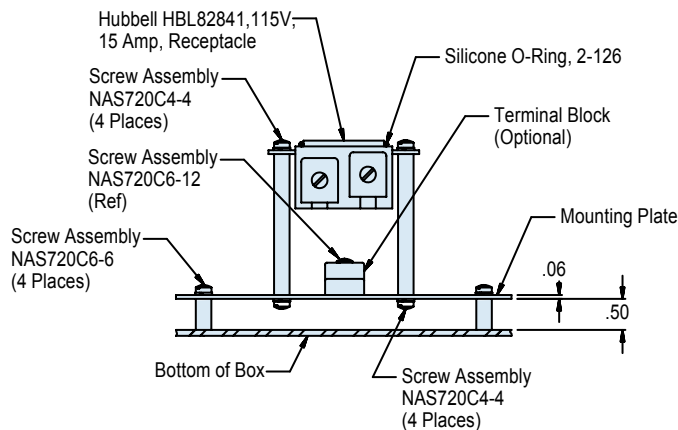
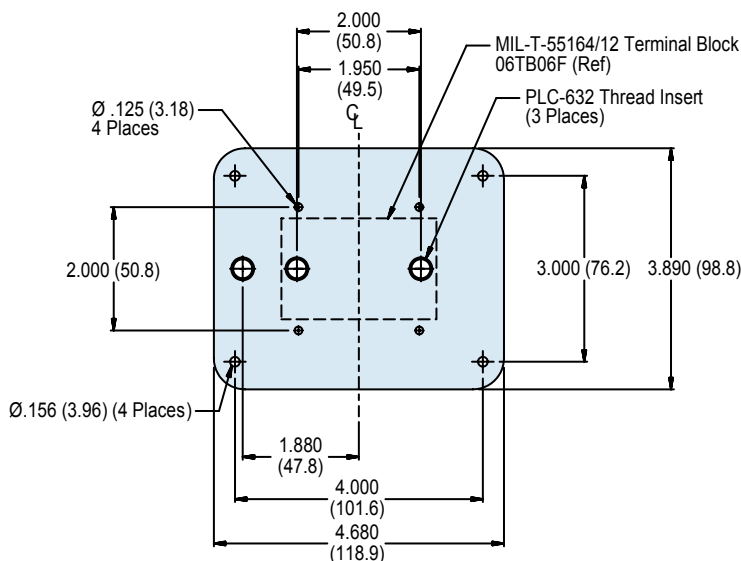
(NSN: 5975-01-556-9504)

Dual Electrical Blade Type Receptacle Composite Box
15 Amp, 125 Volt 60 Hz, Grounded • Size 6.0 x 5.2 x 3.4



Composite Boxes





APPLICATION NOTES

- Assembly identified with manufacturer's code identification number (Glenair, part number and classification code 490).
- Color may be subject to fading, however UV exposure will not affect material physical properties.
- Assembly is similar to symbol part numbers and require installation in accordance with NAVSEA drawing 803-6983506.
- Material / Finish:
 Box, cover - Thermoplastic grey color/see Table I.
 Hardware - 316 SST/passivate.
 Seals and gaskets - Silicone/N.A.
 Mounting Plate - 300 series SST/passivate.
- NAVSEA approved; Dwg 803-698-3506.
- Metric dimensions (mm) are indicated in parentheses.

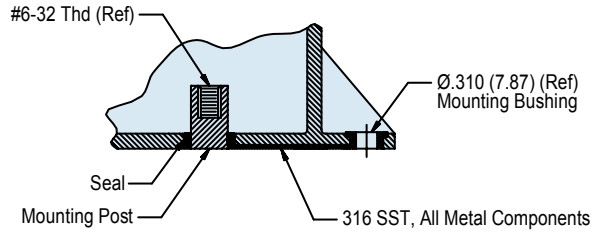
147-020XMS-02

(NSN: 5975-01-556-9504)

Dual Electrical Blade Type Receptacle Composite Box
15 Amp, 125 Volt 60 Hz, Grounded • Size 6.0 x 5.2 x 3.4



Composite
Boxes



SECTION D-D

**Electrical Ground Through Internal
Mounting Post To External Mounting Bushing**

TABLE I: Finish

Symbol	Description
XMS	Internal Surfaces - Electroless Nickel Exterior Surfaces - Unplated Light Grey Color
XO	No Plating

E

TABLE II: Replacement Parts

Item	Part Number	Description	Material
1	140-065**-02	Cover Assembly	Grey Thermoplastic
2	687-499-2	Cover Screw Assembly	316 SST/Passivate
3	687-305Z132	Mounting Plate Assembly	300 Series SST
4	630-038XO-04K	1/8 Turn Flop Lid	Grey Thermoplastic
5	HBL8284I	Electrical Connector	N/A

147-020XMS-05
 (NSN: 5940-01-557-2634)
 Dual Electrical Blade Type Receptacle Composite Box
 15 Amp, 115 Volt 60 Hz, Grounded • Size 6.8 x 5.9 x 4.25

Basic Part Number	Finish <i>(See Table I)</i>	Basic Box Number
147-020	XMS	05

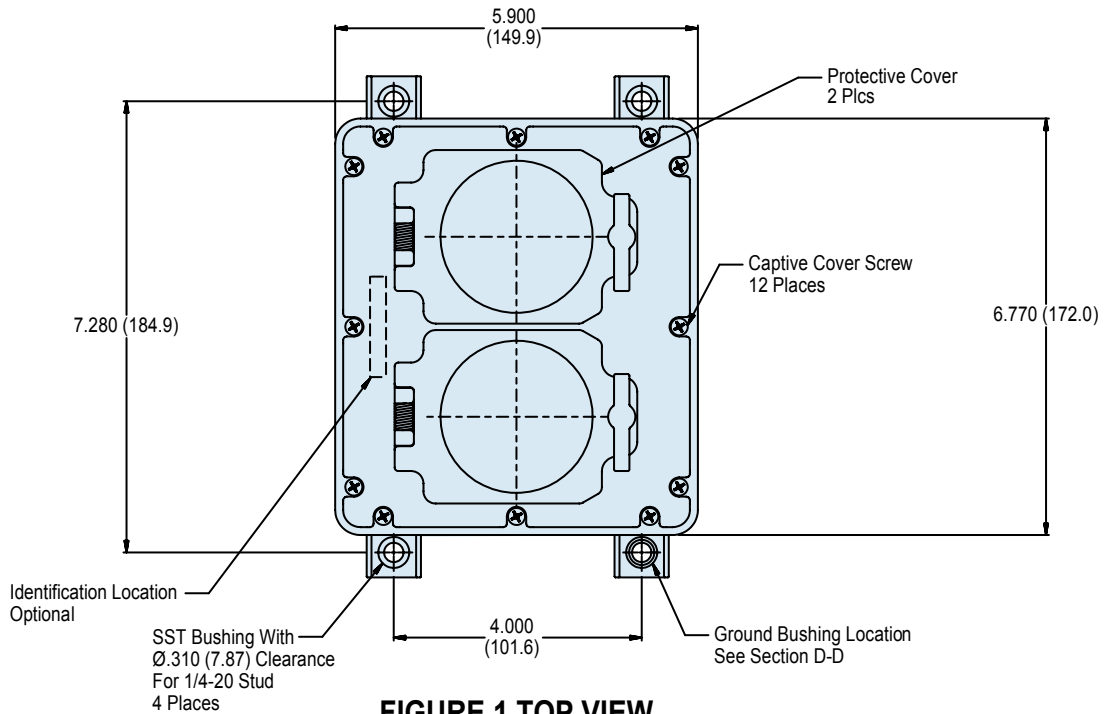
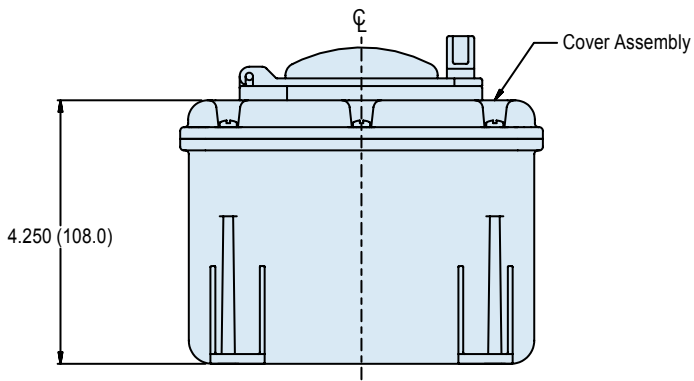


FIGURE 1 TOP VIEW

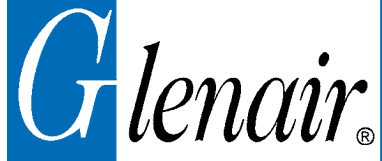


E

147-020XMS-05

(NSN: 5940-01-557-2634)

Dual Electrical Blade Type Receptacle Composite Box
15 Amp, 115 Volt 60 Hz, Grounded • Size 6.8 x 5.9 x 4.25



Composite Boxes

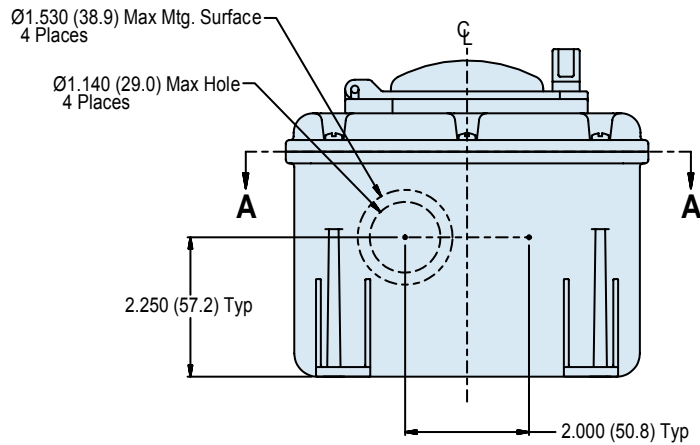
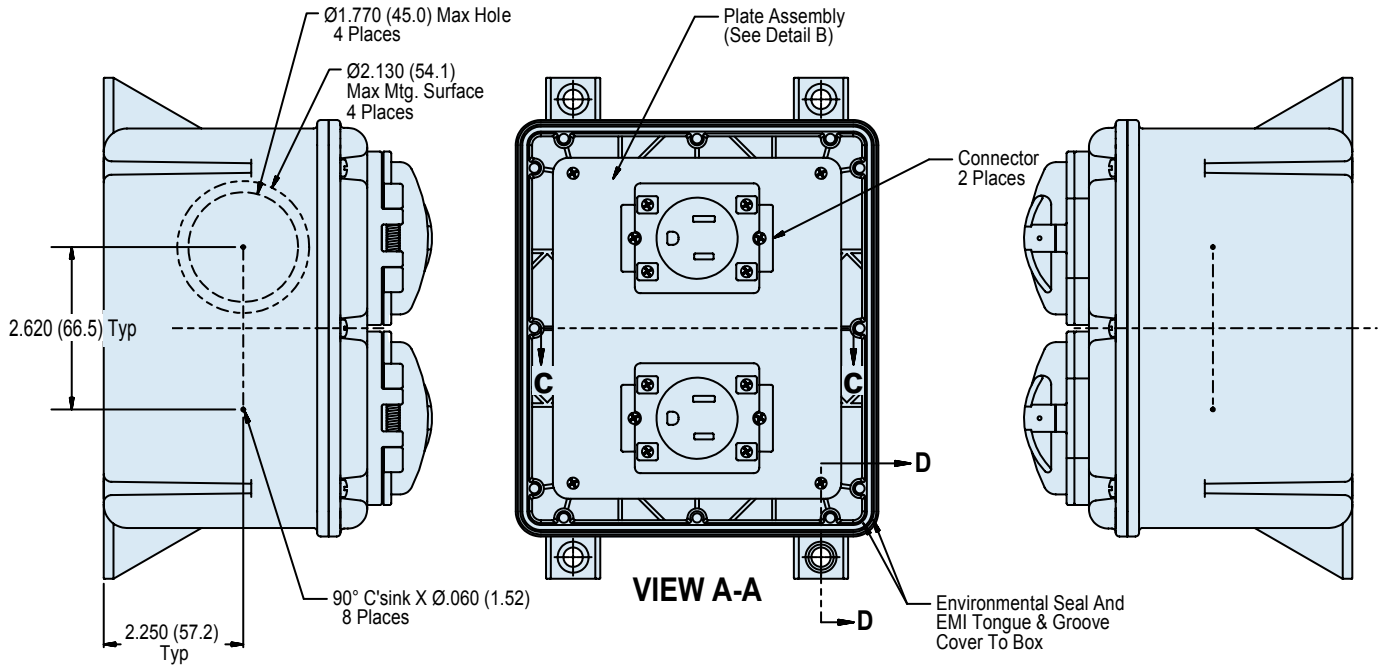
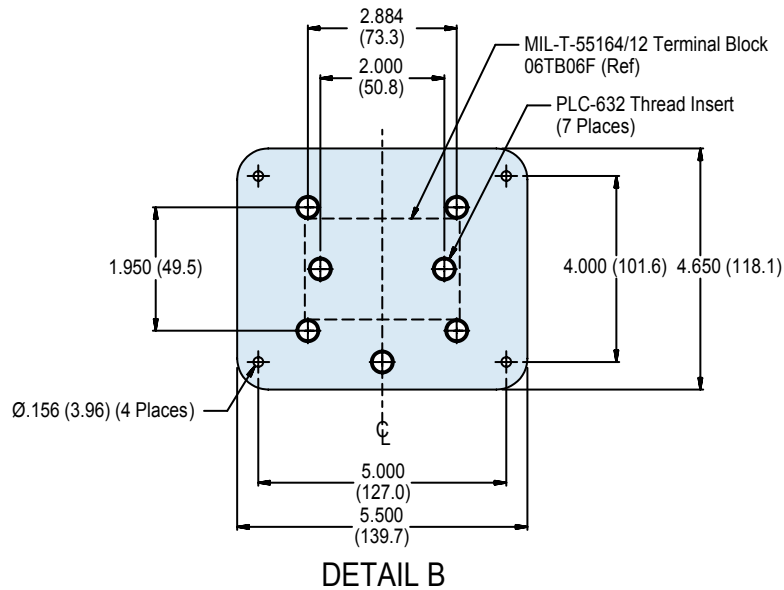


FIGURE 2





APPLICATION NOTES

1. Assembly identified with manufacturer's code identification number (Glenair, part number and classification code 490).
2. Color may be subject to fading, however UV exposure will not affect material physical properties.
3. Assembly is similar to symbol part numbers and require installation in accordance with NAVSEA drawing 803-6983506.
4. Material / Finish:
 - Box, cover - Thermoplastic grey color/see Table I.
 - Hardware - 316 SST/passivate.
 - Seals and gaskets - Silicone/N.A.
 - Mounting Plate - 300 series SST/passivate.
5. NAVSEA approved; Dwg 803-698-3506.
6. Metric dimensions (mm) are indicated in parentheses.

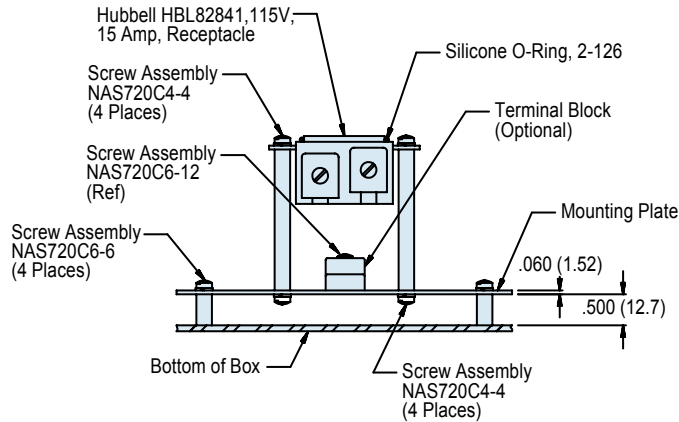
147-020XMS-05

(NSN: 5940-01-557-2634)

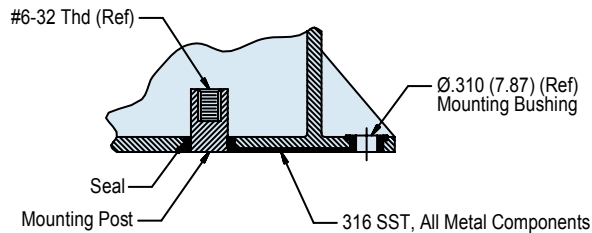
Dual Electrical Blade Type Receptacle Composite Box
15 Amp, 115 Volt 60 Hz, Grounded • Size 6.8 x 5.9 x 4.25



Composite Boxes



VIEW C-C



SECTION D-D

Electrical Ground Through Internal
Mounting Post To External Mounting Bushing

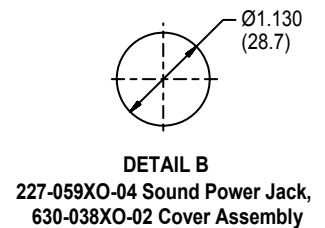
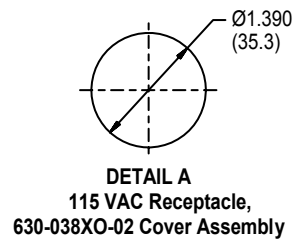
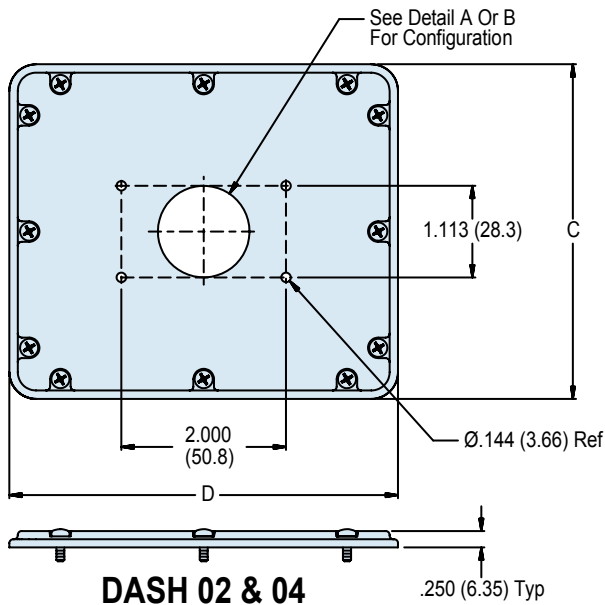
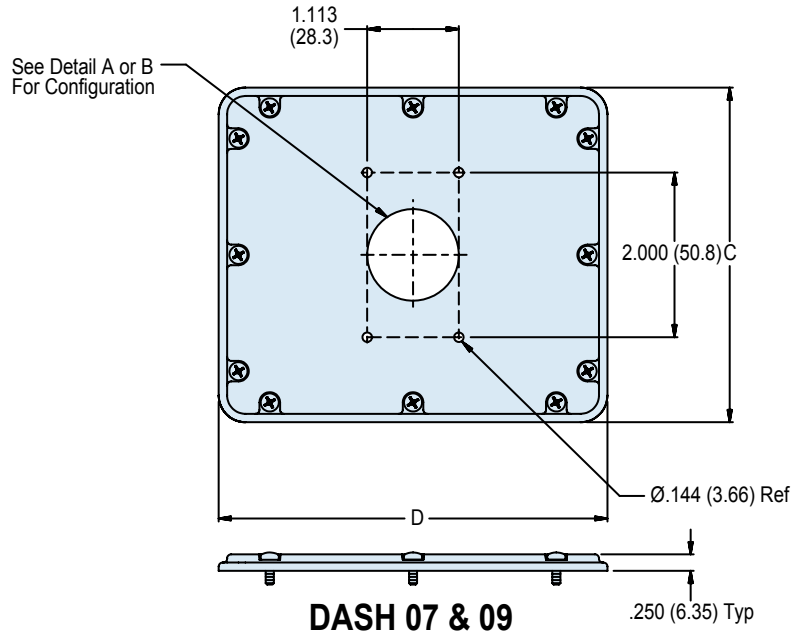
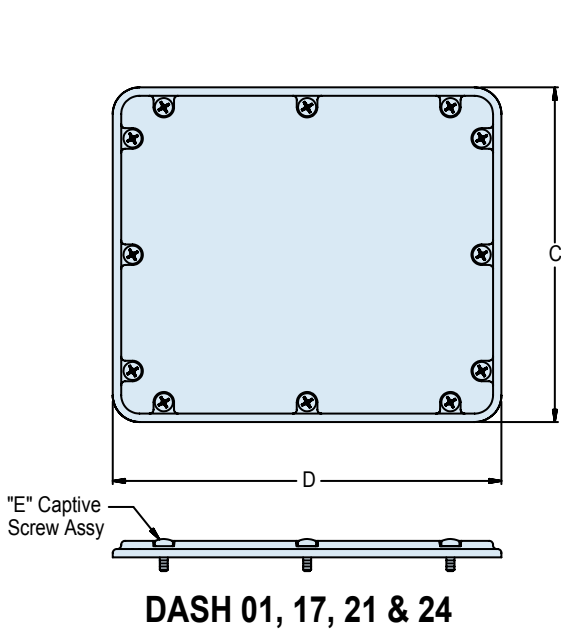
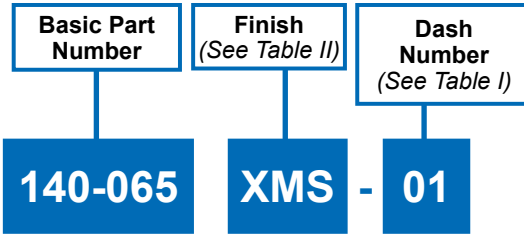
TABLE I: Finish

Symbol	Description
XMS	Internal Surfaces - Electroless Nickel Exterior Surfaces - Unplated Light Grey Color
XO	No Plating

TABLE II: Replacement Parts

Item	Part Number	Description	Material
1	140-065**-02	Cover Assembly	Grey Thermoplastic
2	687-499-2	Cover Screw Assembly	316 SST/Passivate
3	687-305Z132	Mounting Plate Assembly	300 Series SST
4	630-038XO-04K	1/8 Turn Flop Lid	Grey Thermoplastic
5	HBL8284I	Electrical Connector	N/A

147-065XMS-01
(See Table I for NSN Designator)
Replacement Lid Assembly
for Glenair Composite Box Enclosures

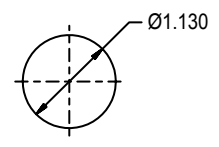
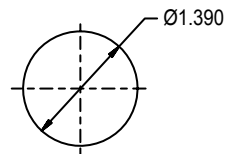
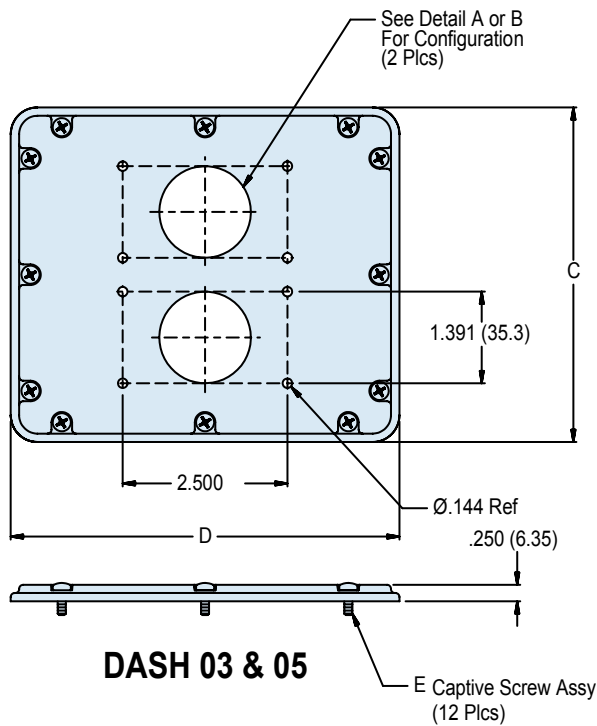
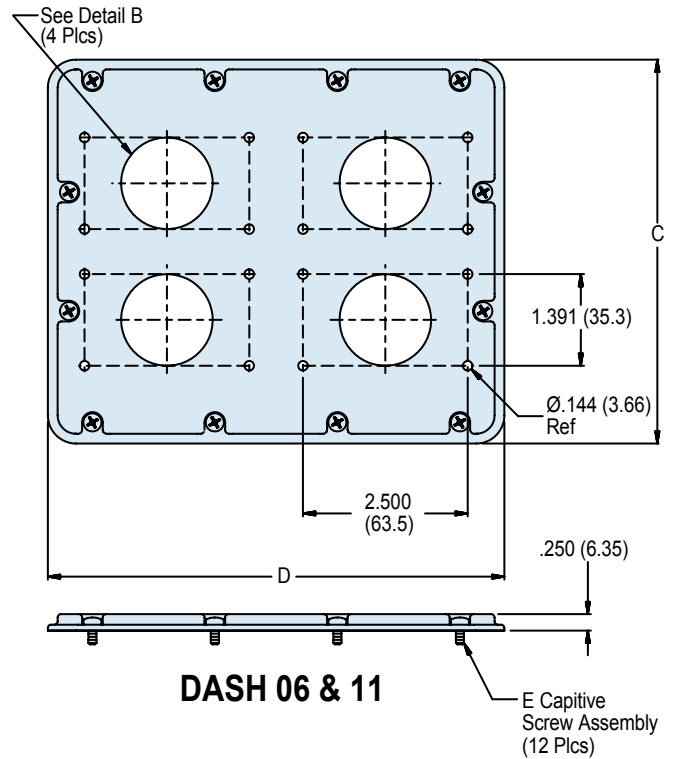
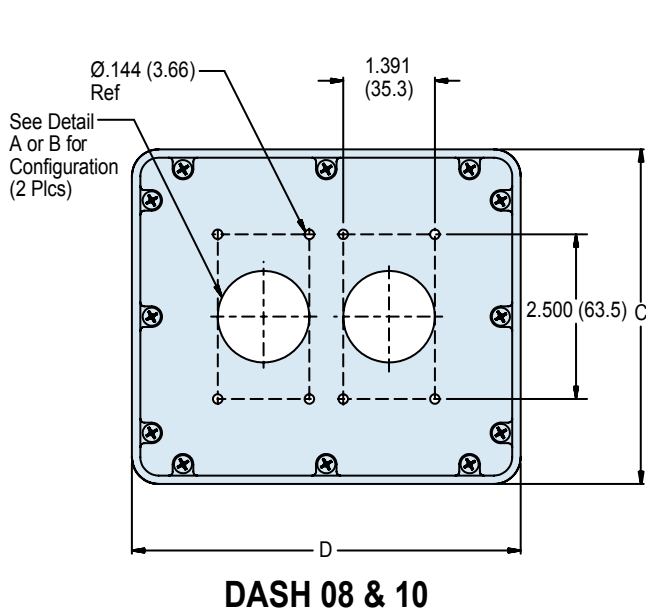


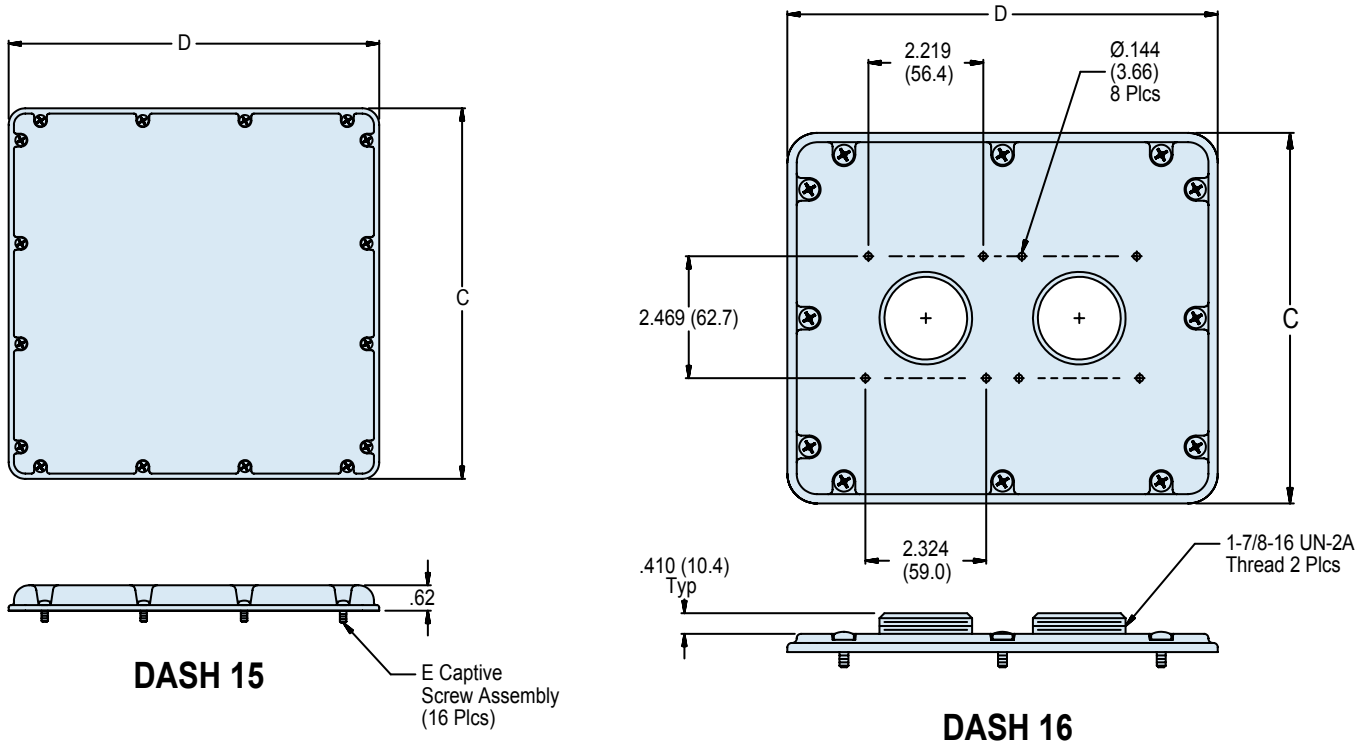
E

147-065XMS-01
 (See Table I for NSN Designator)
 Replacement Lid Assembly
 for Glenair Composite Box Enclosures

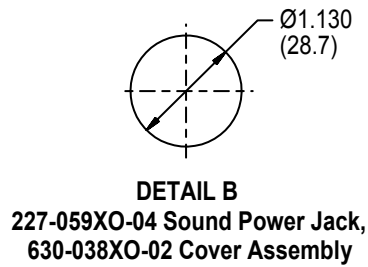
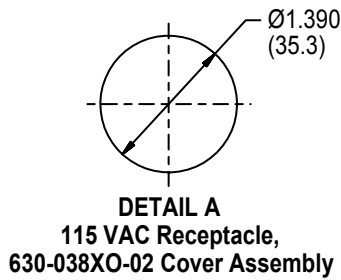


Composite
Boxes





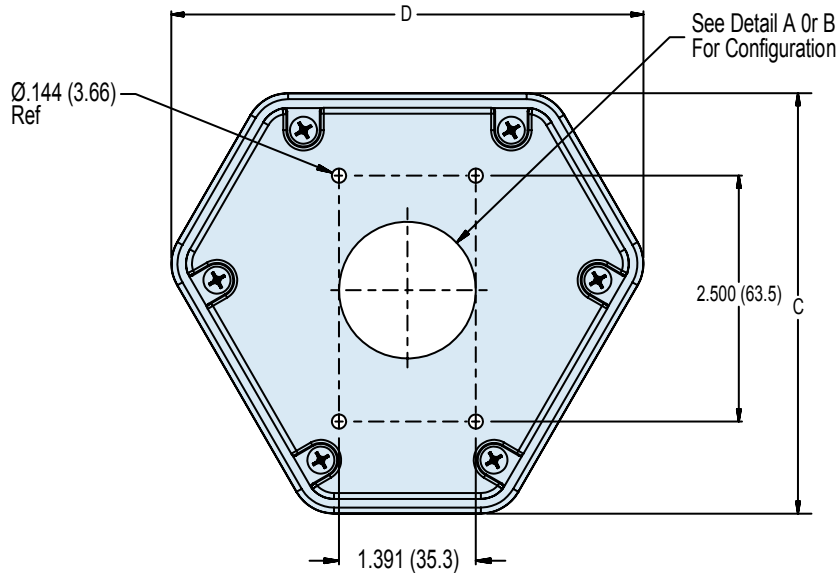
E



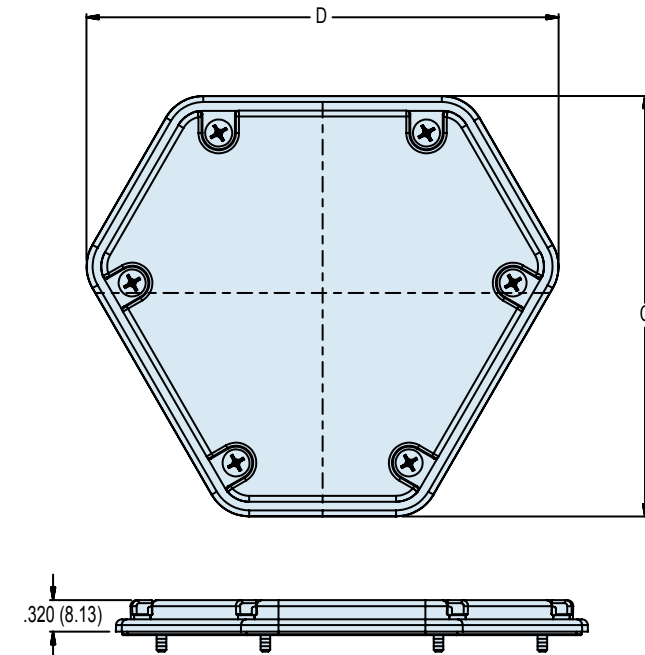
147-065XMS-01
 (See Table I for NSN Designator)
 Replacement Lid Assembly
 for Glenair Composite Box Enclosures



Composite
Boxes

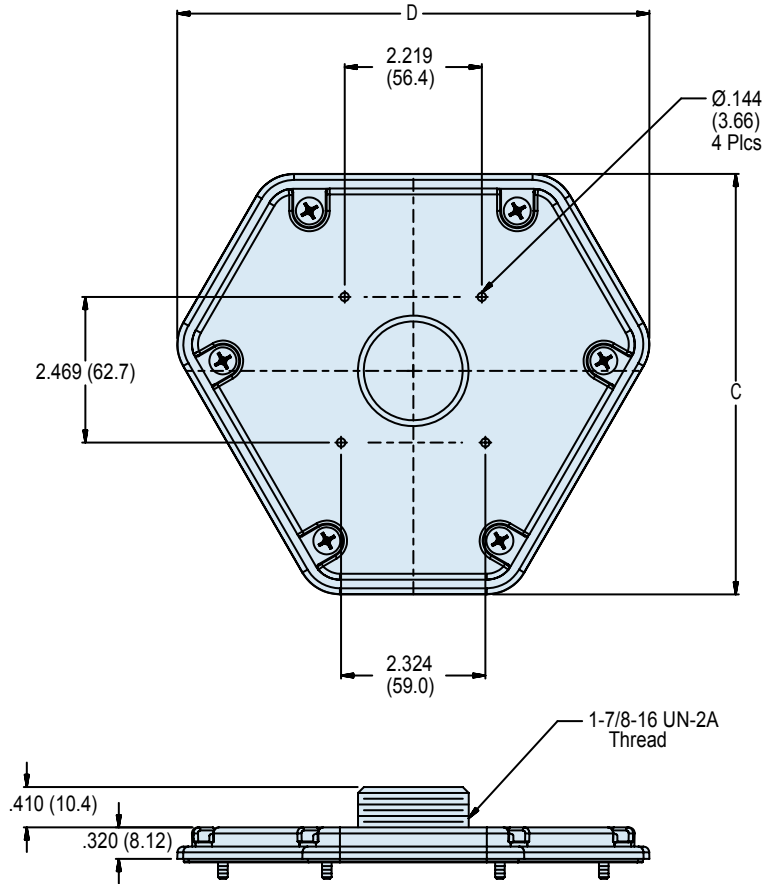


DASH 12 AND 13



DASH 14

E



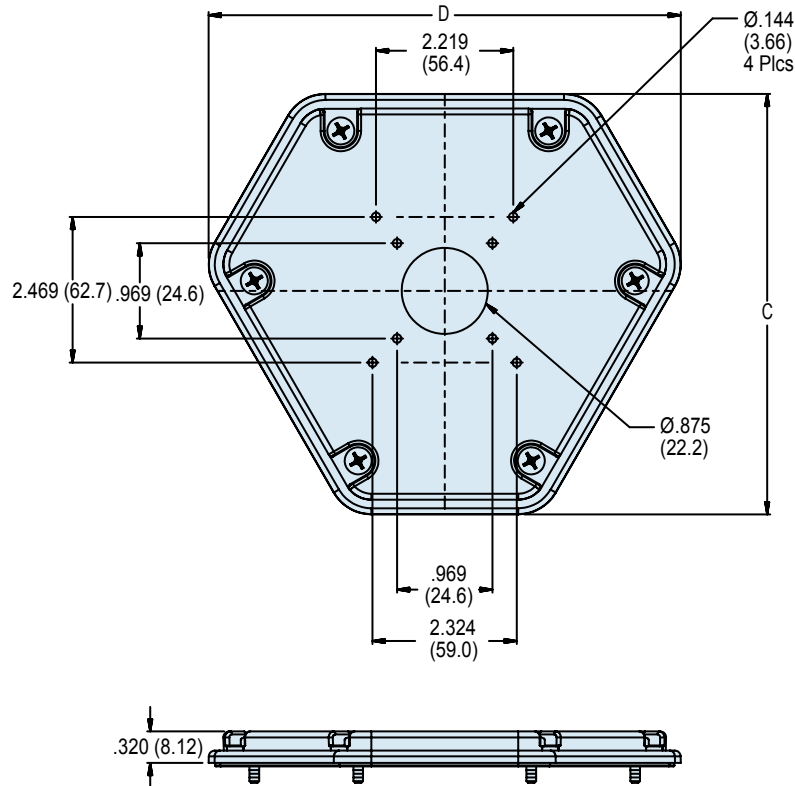
DASH 18

TABLE II: Finish

Symbol	Description
XMS	Internal Surfaces - Electroless Nickel Exterior Surfaces - Unplated Light Grey Color
XO	No Plating

E

147-065XMS-01
(See Table I for NSN Designator)
Replacement Lid Assembly
for Glenair Composite Box Enclosures



DASH 19

APPLICATION NOTES

1. Assembly to be bagged and tagged.
2. Color may be subject to fading, however UV exposure will not affect material physical properties.
3. Assembly is similar to symbol part numbers and require installation in accordance with NAVSEA drawing 803-6983506.
4. Material / Finish:
 Cover - Thermoplastic grey color/see Table II.
 Hardware - 316 SST/passivate.
 Elastomers - Silicone/N.A.
 Retainer - Buna/N.A.
5. NAVSEA approved; Dwg 803-698-3506.
6. Metric dimensions (mm) are indicated in parentheses.



630-038XO-01K

(See Table I for NSN Designator)
Composite Box Cover Assembly
for 147-020 and 147-021 Composite Boxes

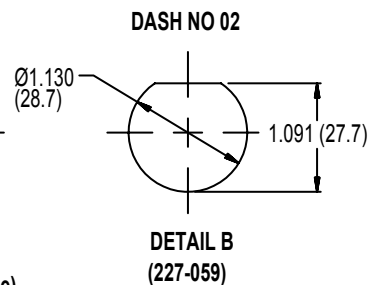
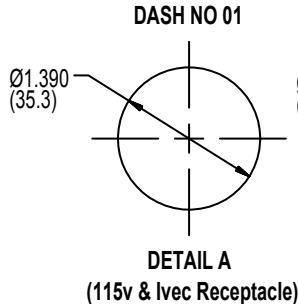
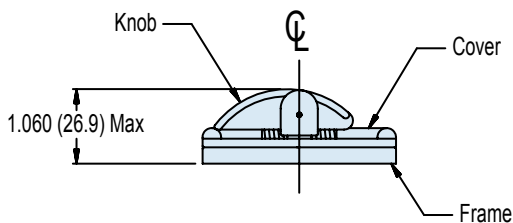
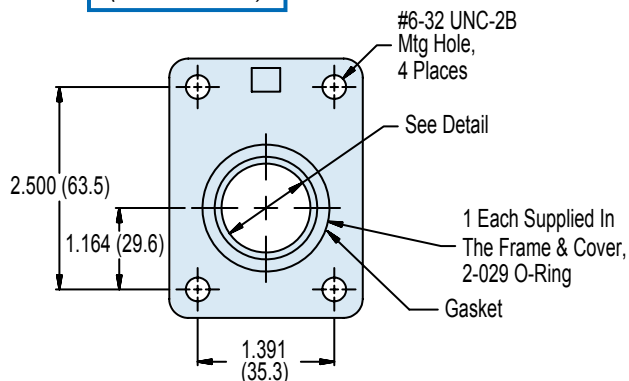
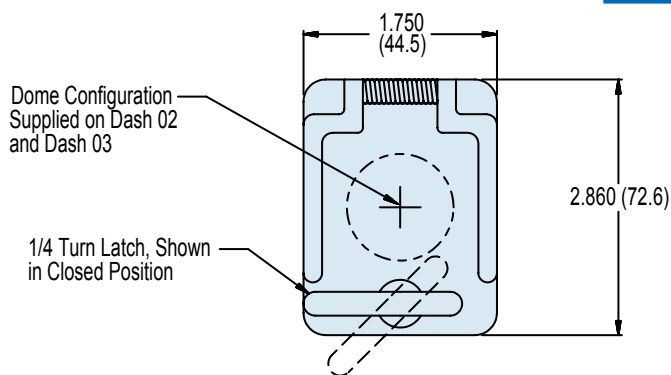
Basic Part
Number

630-038

Dash
Number
(See Table I)

XO - 01

K

Finish
(None)Four Mounting
Screws
(NAS720C6-4)

APPLICATION NOTES

1. Assembly identified with manufacturer's name and part number, space permitting.
2. Color may be subject to fading, however UV exposure will not affect material physical properties.
3. Material / Finish:
Cover - Thermoplastic grey color/see Table II.
Spring and shaft - 316 SST/passivate.
Gaskets - Silicone rubber ZZ-R-765/N.A.
4. NAVSEA approved; Dwg 803-698-3506.
5. Metric dimensions (mm) are indicated in parentheses.

630-038XO-01K
 (See Table I for NSN Designator)
 Composite Box Cover Assembly
 for 147-020 and 147-021 Composite Boxes

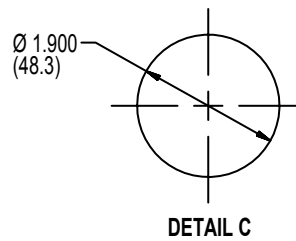
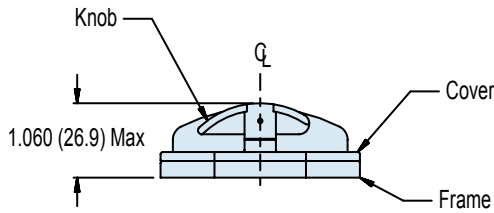
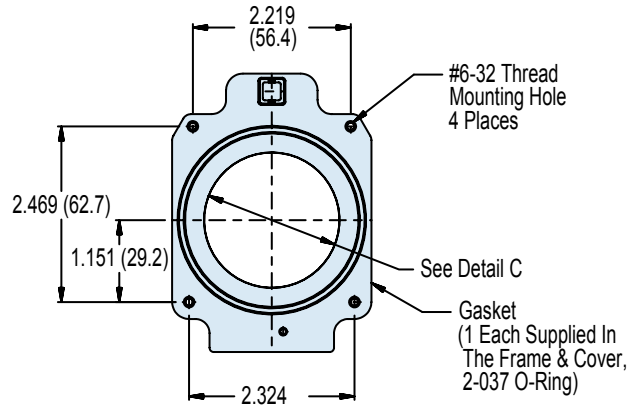
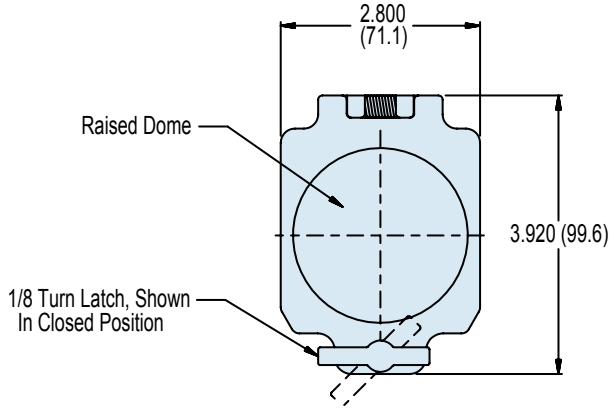


TABLE I: Dash Number and NSN Designators

Dash No.	Cut-Out Detail	Used On	Sheet Reference	NSN Designator
01	A	147-020 Series	Sheet 1	5975-01-556-9621 (XO Finish, K Option)
02	B	147-021 Series	Sheet 1	5975-01-556-9582 (XO Finish, K Option)
03	A	140-043-0006	Sheet 1	
24	C	147-023-02	Sheet 2	5975-01-556-9627 (XO Finish, K Option)

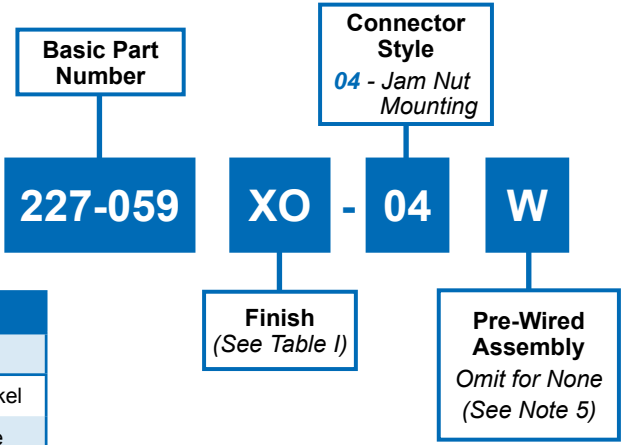
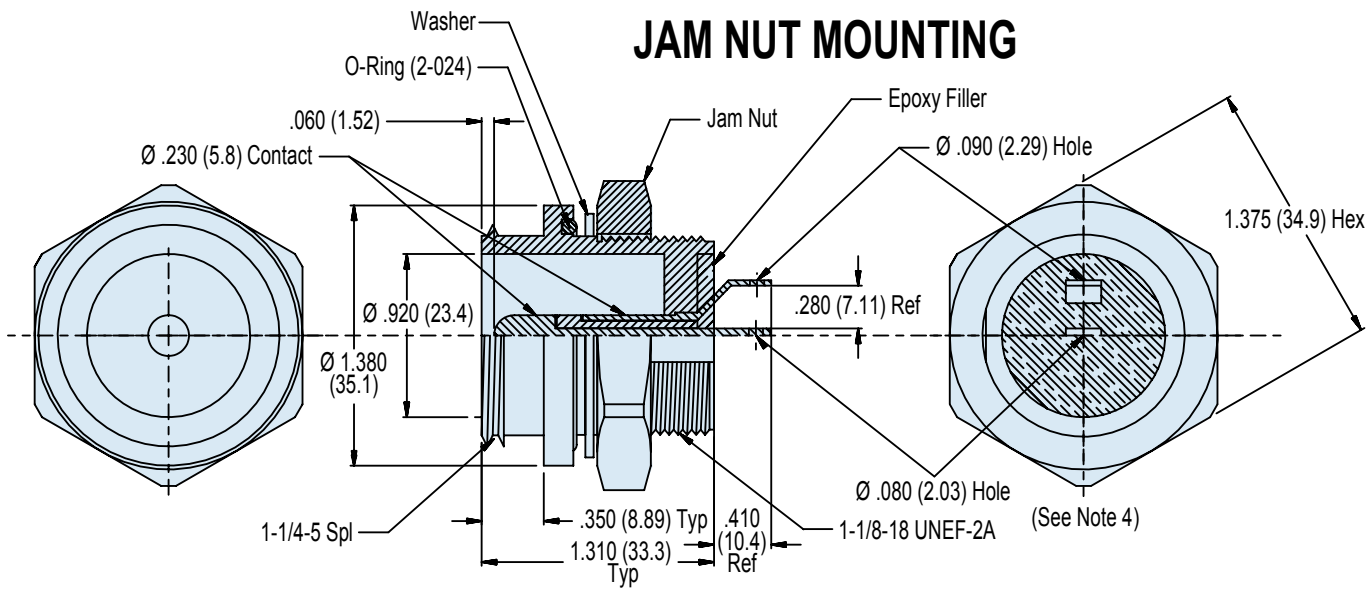


TABLE I: Finish	
Symbol	Description
XM	Conductive Electroless Nickel
XO	No Plating, Non Conductive



APPLICATION NOTES

- | | |
|--|--|
| <ol style="list-style-type: none"> 1. Assembly identified with manufacturer's name and part number, space permitting. 2. Color may be subject to fading, however UV exposure will not affect material physical properties. 3. Material / Finish:
 Shell, insulator and jam nut - High temperature IAW AIR4567/See Table I.
 Contacts - Copper alloy/gold plate.
 O-Ring - Silicone rubber/N.A.
 Washer - 300 series SST/passivate.
 Filler - Epoxy (Stycast)/N.A. | <ol style="list-style-type: none"> 4. Solder terminal holes for 22 and 20 gage wire. 5. Supplied pre-wired with MIL-W-16878/4 Type E stranded wire, 22 gage, center contact white, ring black, 12 inches (304.8) long with MS25036-101 terminal. 6. Glenair's 227-059 composite receptacle connector is designed to mate with H39A type jack plug and mount to Glenair part number 140-041 composite box lid. 7. Metric dimensions (mm) are indicated in parentheses. |
|--|--|

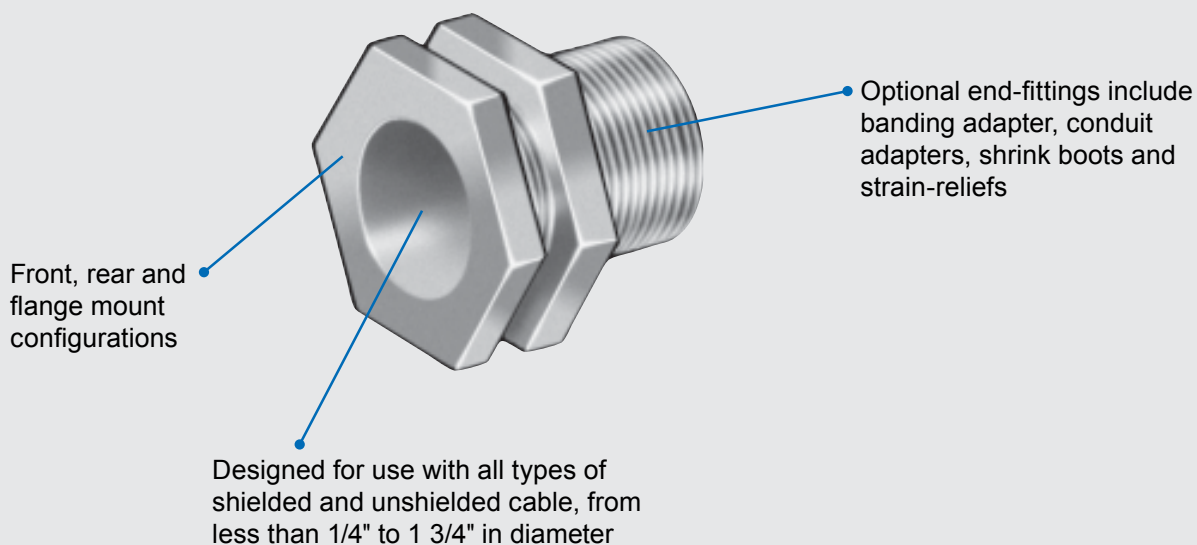
The Right Feed-Through Fitting for Every Shipboard Application—in Aluminum, Titanium, Composite Thermoplastic or Stainless Steel

Glenair manufactures a full spectrum line of feed-through fittings for routing wire and cable into and out of switchgear and other types of junction boxes. The fittings are also ideal for thru-panel and bulkhead applications.

From environmental sealers and EMI/RFI shield terminators to strain reliefs and shrink boot

adapters—Glenair has the right feed-through for every application requirement. Our composite thermoplastic designs offer significant weight savings and unlimited corrosion protection.

Best of all, many of our most popular part numbers are in stock, in quantity and ready for immediate delivery.



***Composite Thermoplastic Parts:** Unless otherwise specified, feed-through fittings will be finished per Table II. Consult factory for additional options for plating of composite components. Composite feed-throughs should be considered for applications where weight savings and extended corrosion protection is desired. Compared to aluminum alloy, composite materials provide equal or improved RFI/EMI protection; however, composite materials have lower thermal conductivity and reduced high-current grounding characteristics. Composite feed-throughs are designed to meet RTCA/DO-160C environmental conditions and physical strength requirements. Please consult the factory for assistance in selecting the best materials and platings for your application.



Feed-Through Fittings Standard Materials and Notes

The following standard materials are used for the majority of Glenair feed-through fittings and connector accessories. Feed-through components are not limited to those items listed, but are representative of the elements used

in the majority of standard components. Contact Glenair for applicable specifications on items not listed below, or for more information on composite thermoplastic material options.

STANDARD MATERIALS - FEED-THROUGH FITTINGS

COMPONENT	MATERIAL	SPECIFICATION
Machined components: such as feed-through bodies, strain reliefs, banding platforms, rotatable couplers, mounting plates, lock nuts, G-spring support rings, EMI ground rings, grommet followers, etc.	Aluminum	QQ-A-200, 225 ASTMB211, 221
Feed-throughs and strain reliefs: available in optional injection molded and/or machined composite thermoplastic.	Engineering thermo- plastic such as PEI	AIR 4567 MIL-C-85049
Feed-throughs and strain reliefs: available in optional corrosion resisting steel; and hardware such as screws, washers, rivets, band straps, etc.	Corrosion Resisting Steel	QQ-s-763 (300 Series)
Elastomeric seals: such as O-rings, cable jacket seals, grommets, etc.	Silicone	TFE
Anti-friction and thrust washers	Teflon	ZZ-R-765
Anti-rotation device	Corrosion Resistant Material	

NOTES

On all length callouts, tolerance is $\pm .060$ unless otherwise specified.

Unless otherwise specified, the following other dimensional tolerances will apply:

- .xx = $\pm .03$ (0.8)
- .xxx = $\pm .015$ (0.4)
- Lengths = $\pm .060$ (1.52)
- Angles = $\pm 5^\circ$

Metric dimensions (mm) are indicated in parentheses

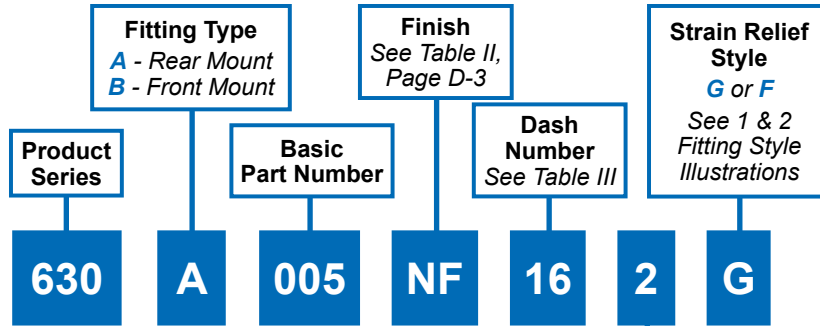
GENERAL COMPOSITE CHARACTERISTICS

- 24 KPSI - 38 KPSI Tensile Strength
 - 33 KPSI - 54 KPSI Flexural Strength
 - 1,300 KPSI - 2,100 KPSI Flexural Modulus
 - 175 - 200° Celsius Operating Temperature
 - CTE, Composite: @ 10⁵ inch/inch °F is 1.10 - 1.40
 - Meets ASTM-E-595, NASA SP-R-0022A Outgassing Requirements for Space
- Contact factory for specific data.

TABLE II - STANDARD MATERIALS AND FINISHES

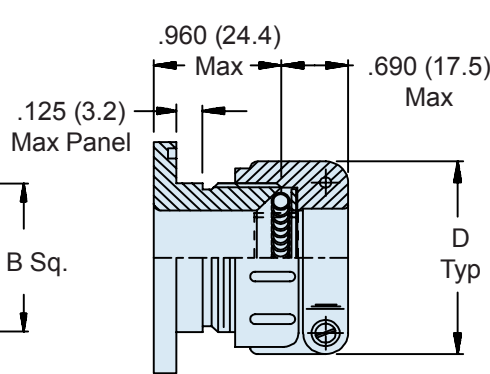
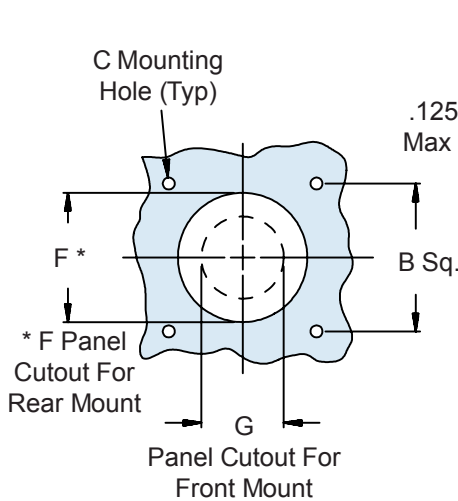
PART NUMBER FINISH SYMBOL	ALUMINUM ALLOY (I.A.W. QQ-A-225)*
NF	Cadmium Plate, Olive Drab per QQ-P-416, Type II, Class 3 over Electroless Nickel Plate per MIL-C-26074 Class 3 or 4, .0005 Min. Thickness. 1,000 hrs. Corrosion Resistance.
ZN	Zinc Alloy Plate per ASTM B 841-91, Class 1, Type E, Grade 3, over Electroless Nickel Plate per ASTM B 733-90 SC2, Type 1, Class 5, Olive Drab.
G	Hard Coat, Anodic, MIL-A-8625, Type III, Class 1. Not suitable for EMI shielding or grounding.
STAINLESS STEEL (300 Series Cres I.A.W. QQ-S-763)	
Z1	Passivate per QQ-P-35. Applicable to corrosion-resisting steel backshells and accessories.
ZM	Electroless Nickel Plate per MIL-C-26074, Class 30R4, Grade A.
TITANIUM	
TP	Nickel Plate, Electroless or Electro-Deposited with suitable under-plate.
HIGH-GRADE ENGINEERING THERMOPLASTIC COMPOSITE	
XB	No Plating, Black Thermoplastic Composite Material.
XO	No Plating, Base Material Non-Conductive Thermoplastic Composite.
XM	Electroless Nickel Plate, 1,000 hrs. Corrosion Resistance.
XW	Cadmium Plate, Olive Drab over Electroless Nickel. 1,000 hrs. Corrosion Resistance.

* Aluminum components are not recommended for above-deck (weather-deck) shipboard use. Glenair's CostSaver Composite EMI/RFI Junction Boxes should not be paired with aluminum feed-through fittings when used in exposed, harsh-weather environments. Despite protective platings, aluminum interconnect components corrode too quickly when exposed to salt spray or other corrosive liquids to be useful in these settings.

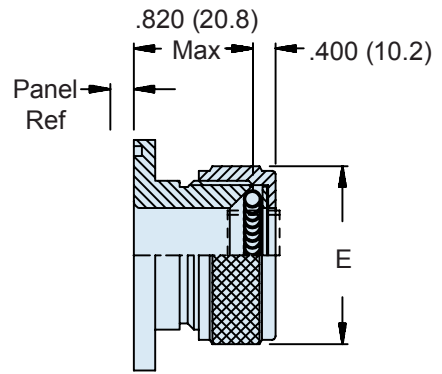


"G"-Spring Style Shield Termination for Strain Relief Styles G and F

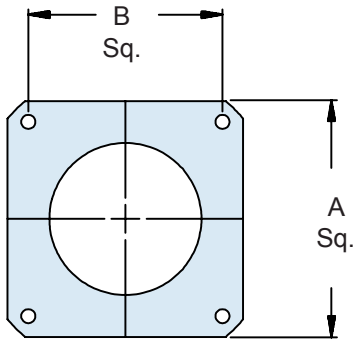
Fitting Style
 1 - RFI/EMI Only
 2 - RFI/EMI Environmental



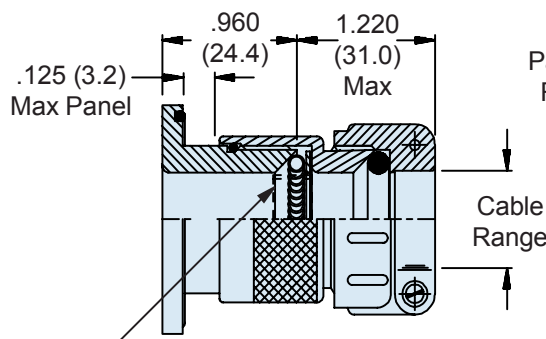
Style 1
Rear Mount Type A
RFI/EMI
 (Shown With Style F Strain Relief)



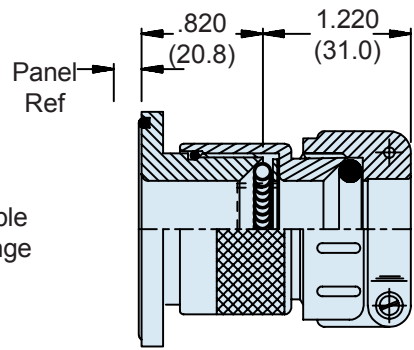
Style 1
Front Mount Type B
RFI/EMI
 (Shown With Style G Gland Nut)



469-001-XX Shield Support Ring (order separately) is recommended for use in all G-Spring Bulkhead Fittings



Style 2
Rear Mount Type A
RFI/EMI Environmental
 (Shown With Style F Strain Relief)



Style 2
Front Mount Type B
RFI/EMI Environmental
 (Shown With Style F Strain Relief)

630-005
Square Flange Feed-Through Fittings
 "G"=Spring RFI/EMI Environmental



TABLE III: Dash Number, Cable Range and Dimensions (Continued Below)

Dash No.	Cable Range		A Max	B Dim	C	
	Min	Max			+0.015 (-0)	+0.4 (-0.0)
01	.156 (4.0)	.250 (6.4)	.885 (22.5)	.593 (15.1)	.120 (3.0)	(3.0)
02	.188 (4.8)	.375 (9.5)	1.104 (28.0)	.812 (20.6)	.120 (3.0)	(3.0)
03	.250 (6.4)	.438 (11.1)	1.197 (30.4)	.906 (23.0)	.120 (3.0)	(3.0)
04	.280 (7.1)	.500 (12.7)	1.291 (32.8)	.968 (24.6)	.120 (3.0)	(3.0)
05	.375 (9.5)	.625 (15.9)	1.385 (35.2)	1.062 (27.0)	.120 (3.0)	(3.0)
06	.500 (12.7)	.750 (19.1)	1.635 (41.5)	1.250 (31.8)	.120 (3.0)	(3.0)
07	.625 (15.9)	.875 (22.2)	1.760 (44.7)	1.375 (34.9)	.147 (3.7)	(3.7)
08	.750 (19.1)	1.000 (25.4)	2.010 (51.1)	1.562 (39.7)	.147 (3.7)	(3.7)
09	.875 (22.2)	1.125 (28.6)	2.260 (57.4)	1.750 (44.5)	.173 (4.4)	(4.4)
10	1.000 (25.4)	1.250 (31.8)	2.510 (63.8)	1.938 (49.2)	.173 (4.4)	(4.4)
11	1.125 (28.6)	1.375 (34.9)	2.760 (70.1)	2.125 (54.0)	.173 (4.4)	(4.4)

TABLE III: (Continued from Above)

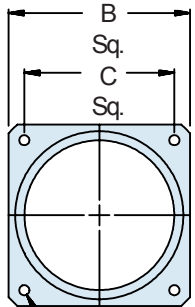
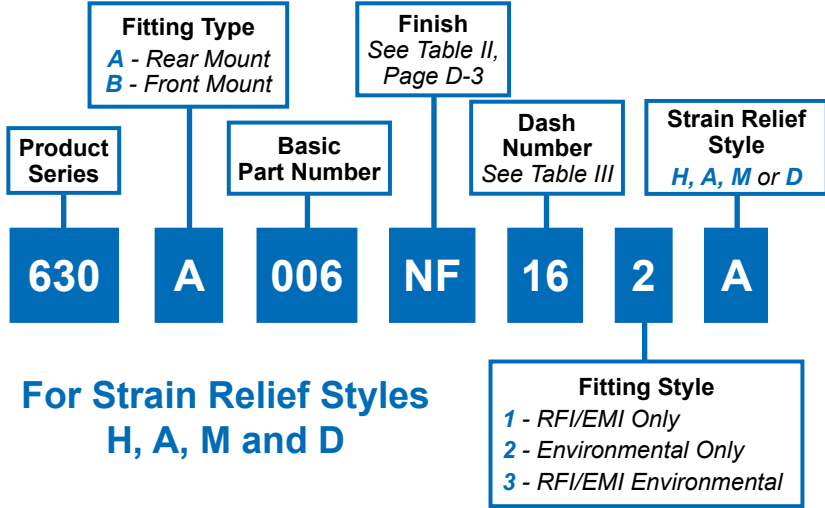
Dash No.	D Max	E Max	F		G	
			+0.015 (-0)	+0.4 (-0.0)	+0.031 (-0)	+0.8 (-0.0)
01	.843 (21.4)	.625 (15.9)	.515 (13.1)	.250 (6.4)	.375 (9.5)	(9.5)
02	.968 (24.6)	.750 (19.1)	.640 (16.3)	.438 (11.1)	.500 (12.7)	(12.7)
03	1.046 (26.6)	.875 (22.2)	.765 (19.4)	.625 (15.9)	.750 (19.1)	(19.1)
04	1.156 (29.4)	1.000 (25.4)	.890 (22.6)	.750 (19.1)	.875 (22.2)	(22.2)
05	1.218 (30.9)	1.125 (28.6)	1.015 (25.8)	.875 (22.2)	1.000 (25.4)	(25.4)
06	1.343 (34.1)	1.250 (31.8)	1.140 (29.0)	1.125 (28.6)	1.250 (31.8)	(31.8)
07	1.468 (37.3)	1.375 (34.9)	1.265 (32.1)	1.250 (31.8)	1.375 (34.9)	(34.9)
08	1.593 (40.5)	1.500 (38.1)	1.390 (35.3)	1.375 (34.9)	1.500 (38.1)	(38.1)
09	1.718 (43.6)	1.625 (41.3)	1.515 (38.5)	1.500 (38.1)	1.625 (41.3)	(41.3)
10	1.843 (46.8)	1.750 (44.5)	1.640 (41.7)	1.625 (41.3)	1.750 (44.5)	(44.5)
11	2.187 (55.5)	1.875 (47.6)	1.765 (44.8)	1.750 (44.5)	1.875 (47.6)	(47.6)

APPLICATION NOTES

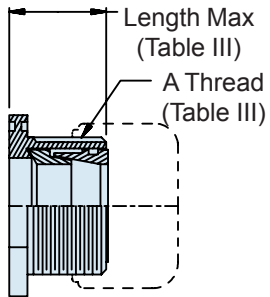
1. Assembly identified with manufacturer's name and part number, space permitting.
2. Cable range is defined as the accommodations range for the wire bundle or cable. Dimensions shown are not intended for inspection criteria.
3. Material / Finish: See Table II.
4. For proper termination, it is recommended that Glenair 469-001 shield support ring be used on all assemblies. Place ring over wire and under shield; position under G-spring. Please consult factory for more information.
5. "G"-spring fittings are not available in composite thermoplastic.
6. Metric dimensions (mm) are indicated in parentheses.



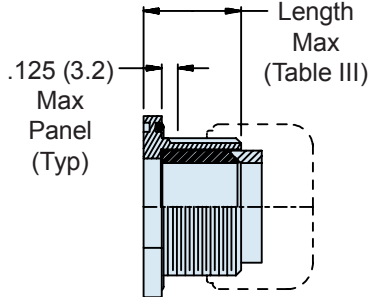
630-006
Square Flange Feed-Through Fittings
RFI/EMI Environmental



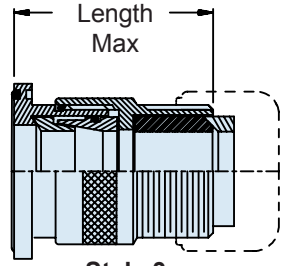
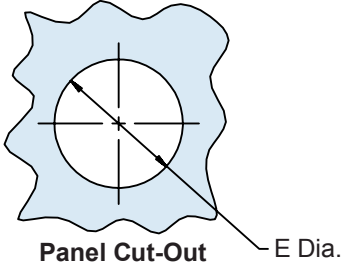
D Mounting Holes (4 Places)



Style 1
Type B - Front Mount
RFI/EMI

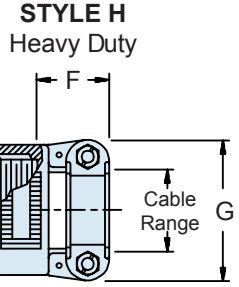


Style 2
Type A - Rear Mount
Environmental

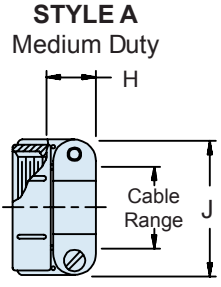


Style 3 -
Type B - Front Mount
RFI/EMI Environmental

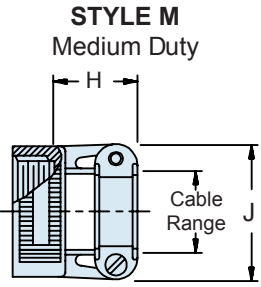
- APPLICATION NOTES**
1. Assembly identified with manufacturer's name and part number, space permitting.
 2. Cable range is defined as the accommodations range for the wire bundle or cable. Dimensions shown are not intended for inspection criteria.
 3. Material / Finish: See Table II.
 4. Metric dimensions (mm) are indicated in parentheses.



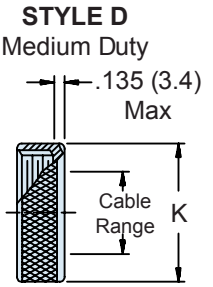
STYLE H
Heavy Duty



STYLE A
Medium Duty



STYLE M
Medium Duty



STYLE D
Medium Duty

630-006
Square Flange Feed-Through Fittings
RFI/EMI Environmental



Feed
Throughs

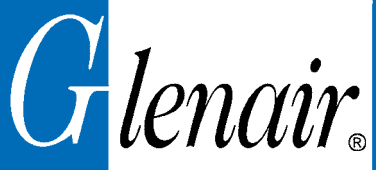
TABLE III: Dash Number, Cable Range and Dimensions (Continued Below)

Dash No.	Clamp Style	Clamp Size	Cable Range		A Thread Unified	B Dim	C Sq.		D Dia -.000	E Dia -.000
			Min	Max			± .010 (± .3)	+ .015 (+ .4)		
01	1, 2	03	.157 (4.0)	.250 (6.4)	1/2 -28	.885 (22.5)	.593 (15.1)	.120 (3.0)	.250 (6.4)	
02	3	03	.157 (4.0)	.250 (6.4)	1/2 -28	.885 (22.5)	.593 (15.1)	.120 (3.0)	.250 (6.4)	
03	1,2	04	.187 (4.7)	.312 (7.9)	5/8 -24	1.104 (28.0)	.812 (20.6)	.120 (3.0)	.312 (7.9)	
04	3	04	.187 (4.7)	.312 (7.9)	5/8 -24	1.104 (28.0)	.812 (20.6)	.120 (3.0)	.312 (7.9)	
05	1, 2	06	.281 (7.1)	.437 (11.1)	3/4 -20	1.197 (30.4)	.906 (23.0)	.120 (3.0)	.437 (11.1)	
06	3	06	.281 (7.1)	.437 (11.1)	3/4 -20	1.197 (30.4)	.906 (23.0)	.120 (3.0)	.437 (11.1)	
07	1,2	08	.344 (8.7)	.562 (14.3)	7/8 -20	1.291 (32.8)	.968 (24.6)	.120 (3.0)	.562 (14.3)	
08	3	08	.387 (9.8)	.562 (14.3)	7/8 -20	1.291 (32.8)	.968 (24.6)	.120 (3.0)	.562 (14.3)	
09	1, 2	10	.375 (9.5)	.625 (15.9)	1 -20	1.385 (35.2)	1.062 (27.0)	.120 (3.0)	.625 (15.9)	
10	3	10	.512 (13.0)	.625 (15.9)	1 -20	1.385 (35.2)	1.062 (27.0)	.120 (3.0)	.625 (15.9)	
11	1,2	12	.438 (11.1)	.750 (19.1)	1 3/16 -18	1.635 (41.5)	1.250 (31.8)	.120 (3.0)	.750 (19.1)	
12	3	12	.575 (14.6)	.750 (19.1)	1 3/16 -18	1.635 (41.5)	1.250 (31.8)	.120 (3.0)	.750 (19.1)	
13	1, 2	16	.625 (15.9)	.937 (23.8)	1 7/16 -18	1.760 (44.7)	1.375 (34.9)	.147 (3.7)	.937 (23.8)	
14	3	16	.625 (15.9)	.937 (23.8)	1 7/16 -18	1.760 (44.7)	1.375 (34.9)	.147 (3.7)	.937 (23.8)	
15	1,2	20	.875 (22.2)	1.250 (31.8)	1 3/4 -18	2.010 (51.1)	1.562 (39.7)	.147 (3.7)	1.250 (31.8)	
16	3	20	.875 (22.2)	1.250 (31.8)	1 3/4 -18	2.010 (51.1)	1.562 (39.7)	.147 (3.7)	1.250 (31.8)	
17	1, 2	24	1.000 (25.4)	1.375 (34.9)	2 -18	2.260 (57.4)	1.750 (44.5)	.173 (4.4)	1.375 (34.9)	
18	3	24	1.000 (25.4)	1.375 (34.9)	2 -18	2.260 (57.4)	1.750 (44.5)	.173 (4.4)	1.375 (34.9)	
19	1, 2	28	1.250 (31.8)	1.625 (41.3)	2 1/4 -16	2.510 (63.8)	1.938 (49.2)	.173 (4.4)	1.625 (41.3)	
20	3	28	1.250 (31.8)	1.625 (41.3)	2 1/4 -16	2.510 (63.8)	1.938 (49.2)	.173 (4.4)	1.625 (41.3)	
21	1, 2	32	1.437 (36.5)	1.875 (47.6)	2 1/2 -16	2.781 (70.6)	2.188 (55.6)	.173 (4.4)	1.875 (47.6)	
22	3	32	1.437 (36.5)	1.875 (47.6)	2 1/2 -16	2.781 (70.6)	2.188 (55.6)	.173 (4.4)	1.875 (47.6)	
23	1,2	40	1.875 (47.6)	2.375 (60.3)	3 -16	3.281 (83.3)	2.625 (66.7)	.173 (4.4)	2.375 (60.3)	
24	3	40	1.875 (47.6)	2.375 (60.3)	3 -16	3.281 (83.3)	2.625 (66.7)	.173 (4.4)	2.375 (60.3)	

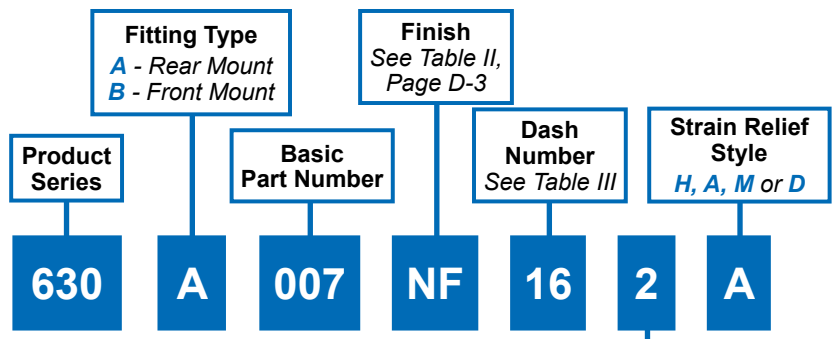
TABLE III: (Continued from Above)

Dash No.	Style	F Max	G Max	H Max	J Max	K Max	Length Max
01	1, 2	---	---	.760 (19.3)	.843 (21.4)	.630 (16.0)	.971 (24.7)
02	3	---	---	.760 (19.3)	.843 (21.4)	.630 (16.0)	1.820 (46.2)
03	1,2	.780 (19.8)	.957 (24.3)	.760 (19.3)	.906 (23.0)	.755 (19.2)	.971 (24.7)
04	3	.780 (19.8)	.957 (24.3)	.760 (19.3)	.906 (23.0)	.755 (19.2)	1.820 (46.2)
05	1, 2	.780 (19.8)	1.145 (29.1)	.760 (19.3)	1.093 (27.8)	.942 (23.9)	.971 (24.7)
06	3	.780 (19.8)	1.145 (29.1)	.760 (19.3)	1.093 (27.8)	.942 (23.9)	1.820 (46.2)
07	1,2	.780 (19.8)	1.332 (33.8)	.760 (19.3)	1.187 (30.1)	1.067 (27.1)	.971 (24.7)
08	3	.780 (19.8)	1.332 (33.8)	.760 (19.3)	1.187 (30.1)	1.067 (27.1)	1.820 (46.2)
09	1, 2	.780 (19.8)	1.332 (33.8)	.760 (19.3)	1.281 (32.5)	1.192 (30.3)	.971 (24.7)
10	3	.780 (19.8)	1.332 (33.8)	.760 (19.3)	1.281 (32.5)	1.192 (30.3)	1.820 (46.2)
11	1,2	.811 (20.6)	1.551 (39.4)	.760 (19.3)	1.500 (38.1)	1.380 (35.1)	1.031 (26.2)
12	3	.811 (20.6)	1.551 (39.4)	.760 (19.3)	1.500 (38.1)	1.380 (35.1)	1.820 (46.2)
13	1, 2	.905 (23.0)	1.770 (45.0)	1.073 (27.3)	1.719 (43.7)	1.535 (39.0)	1.031 (26.2)
14	3	.905 (23.0)	1.770 (45.0)	1.073 (27.3)	1.719 (43.7)	1.535 (39.0)	1.820 (46.2)
15	1,2	1.092 (27.7)	2.113 (53.7)	1.323 (33.6)	2.062 (52.4)	1.848 (46.9)	1.031 (26.2)
16	3	1.092 (27.7)	2.113 (53.7)	1.323 (33.6)	2.062 (52.4)	1.848 (46.9)	1.820 (46.2)
17	1, 2	1.124 (28.5)	2.363 (60.0)	1.323 (33.6)	2.312 (58.7)	2.255 (57.3)	1.095 (27.8)
18	3	1.124 (28.5)	2.363 (60.0)	1.323 (33.6)	2.312 (58.7)	2.255 (57.3)	1.820 (46.2)
19	1,2	1.399 (35.5)	2.770 (70.4)	1.572 (39.9)	2.719 (69.1)	2.505 (63.6)	1.095 (27.8)
20	3	1.399 (35.5)	2.770 (70.4)	1.572 (39.9)	2.719 (69.1)	2.505 (63.6)	1.820 (46.2)
21	1, 2	1.399 (35.5)	3.020 (76.7)	1.572 (39.9)	2.969 (75.4)	2.755 (70.0)	1.095 (27.8)
22	3	1.399 (35.5)	3.020 (76.7)	1.572 (39.9)	2.969 (75.4)	2.755 (70.0)	1.940 (49.3)
23	1,2	---	---	1.572 (39.9)	3.531 (89.7)	3.255 (82.7)	1.220 (31.0)
24	3	---	---	1.572 (39.9)	3.531 (89.7)	3.255 (82.7)	2.060 (52.3)

F



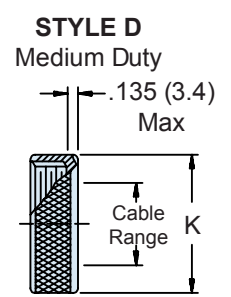
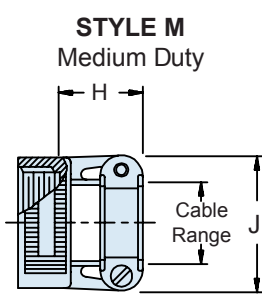
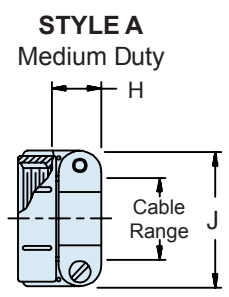
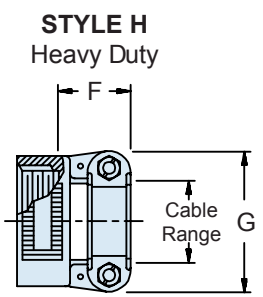
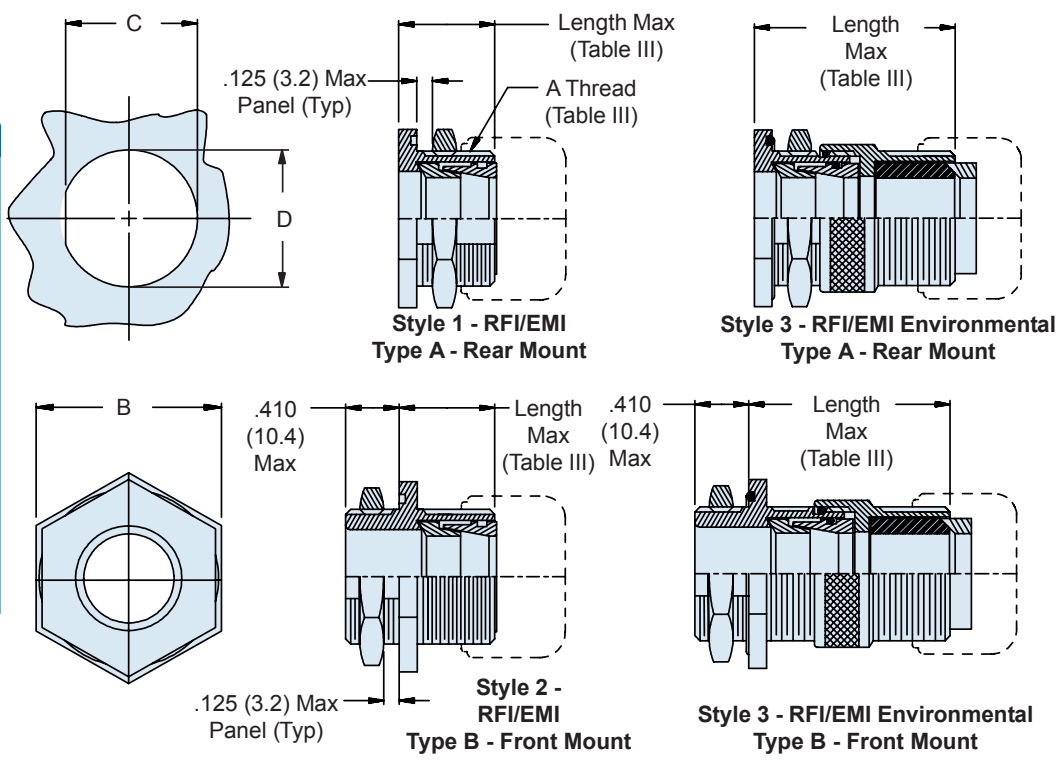
630-007
Jam Nut Feed-Through Fittings
 RFI/EMI Environmental



For Strain Relief Styles H, A, M and D

Fitting Style			
1 - RFI/EMI Only	2 - Environmental Only	3 - RFI/EMI Environmental	4 - Non-RFI/EMI, Non-Environmental

- APPLICATION NOTES**
1. Assembly identified with manufacturer's name and part number, space permitting.
 2. Cable range is defined as the accommodations range for the wire bundle or cable. Dimensions shown are not intended for inspection criteria.
 3. Material / Finish: See Table II.
 4. Metric dimensions (mm) are indicated in parentheses.



630-007
Jam Nut Feed-Through Fittings
RFI/EMI Environmental



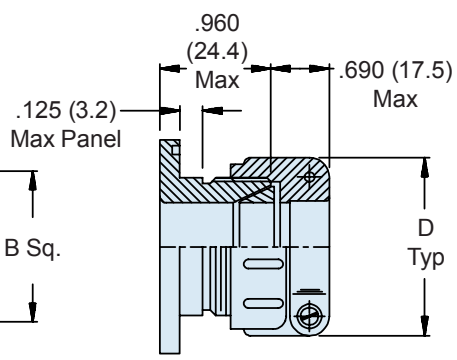
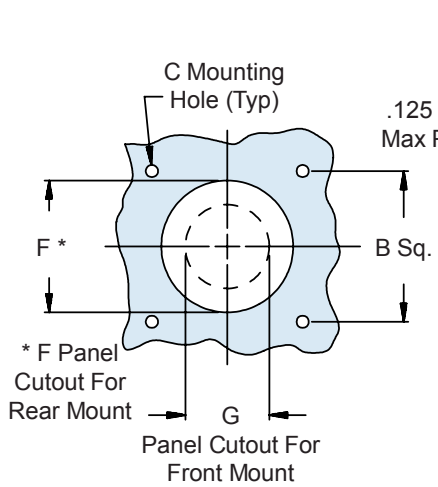
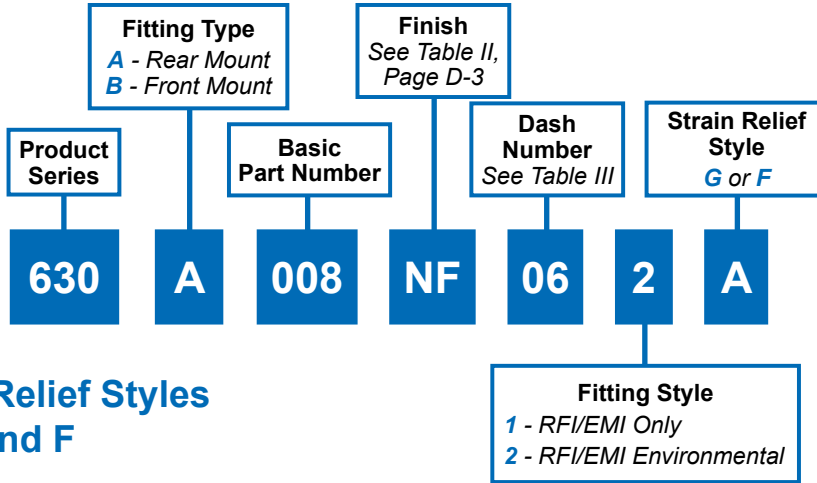
Feed
Throughs

TABLE III: Dash Number, Cable Range and Dimensions (Continued Below)

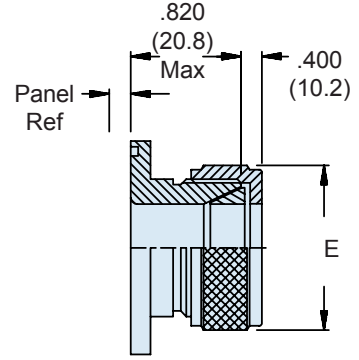
Dash No.	Style	Clamp Size	Cable Range		A Thread Unified	B Dim	C Flat		D Dia	
			Min	Max			± .010	(± .3)	± .010	(± .3)
01	1, 2	03	.157 (4.0)	.250 (6.4)	1/2 -28	.688 (17.5)	.479 (12.2)	.515 (13.1)		
02	3	03	.157 (4.0)	.250 (6.4)	1/2 -28	.688 (17.5)	.479 (12.2)	.515 (13.1)		
03	1, 2	04	.187 (4.7)	.312 (7.9)	5/8 -24	.813 (20.7)	.595 (15.1)	.640 (16.3)		
04	3	04	.187 (4.7)	.312 (7.9)	5/8 -24	.813 (20.7)	.595 (15.1)	.640 (16.3)		
05	1, 2	06	.281 (7.1)	.437 (11.1)	3/4 -20	.938 (23.8)	.720 (18.3)	.765 (19.4)		
06	3	06	.281 (7.1)	.437 (11.1)	3/4 -20	.938 (23.8)	.720 (18.3)	.765 (19.4)		
07	1, 2	08	.344 (8.7)	.562 (14.3)	7/8 -20	1.063 (27.0)	.845 (21.5)	.890 (22.6)		
08	3	08	.387 (9.8)	.562 (14.3)	7/8 -20	1.063 (27.0)	.845 (21.5)	.890 (22.6)		
09	1, 2	10	.375 (9.5)	.625 (15.9)	1 -20	1.250 (31.8)	.970 (24.6)	1.015 (25.8)		
10	3	10	.512 (13.0)	.625 (15.9)	1 -20	1.250 (31.8)	.970 (24.6)	1.015 (25.8)		
11	1, 2	12	.438 (11.1)	.750 (19.1)	1 3/16 -18	1.375 (34.9)	1.158 (29.4)	1.202 (30.5)		
12	3	12	.575 (14.6)	.750 (19.1)	1 3/16 -18	1.375 (34.9)	1.158 (29.4)	1.202 (30.5)		
13	1, 2	16	.625 (15.9)	.937 (23.8)	1 7/16 -18	1.625 (41.3)	1.408 (35.8)	1.452 (36.9)		
14	3	16	.625 (15.9)	.937 (23.8)	1 7/16 -18	1.625 (41.3)	1.408 (35.8)	1.452 (36.9)		
15	1, 2	20	.875 (22.2)	1.250 (31.8)	1 3/4 -18	2.000 (50.8)	1.720 (43.7)	1.765 (44.8)		
16	3	20	.875 (22.2)	1.250 (31.8)	1 3/4 -18	2.000 (50.8)	1.720 (43.7)	1.765 (44.8)		
17	1, 2	24	1.000 (25.4)	1.375 (34.9)	2 -18	2.188 (55.6)	1.970 (50.0)	2.015 (51.2)		
18	3	24	1.000 (25.4)	1.375 (34.9)	2 -18	2.188 (55.6)	1.970 (50.0)	2.015 (51.2)		
19	1, 2	28	1.250 (31.8)	1.625 (41.3)	2 1/4 -16	2.438 (61.9)	2.220 (56.4)	2.265 (57.5)		
20	3	28	1.250 (31.8)	1.625 (41.3)	2 1/4 -16	2.438 (61.9)	2.220 (56.4)	2.265 (57.5)		
21	1, 2	32	1.437 (36.5)	1.875 (47.6)	2 1/2 -16	2.813 (71.5)	2.470 (62.7)	2.515 (63.9)		
22	3	32	1.437 (36.5)	1.875 (47.6)	2 1/2 -16	2.813 (71.5)	2.470 (62.7)	2.515 (63.9)		
23	1, 2	40	1.875 (47.6)	2.375 (60.3)	3 -16	3.375 (85.7)	2.970 (75.4)	3.015 (76.6)		
24	3	40	1.875 (47.6)	2.375 (60.3)	3 -16	3.375 (85.7)	2.970 (75.4)	3.015 (76.6)		

TABLE III: (Continued from Above)

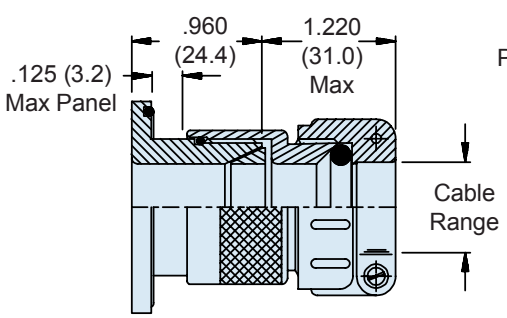
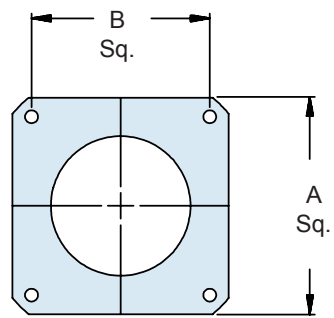
Dash No.	Style	E Max		F Max		G Max		H Max		J Max		Length Max
01	1, 2	---	---	---	---	.760 (19.3)	.843 (21.4)	.630 (16.0)	1.281 (32.5)			
02	3	---	---	---	---	.760 (19.3)	.843 (21.4)	.630 (16.0)	1.969 (50.0)			
03	1, 2	.780 (19.8)	.957 (24.3)	.760 (19.3)	.906 (23.0)	.755 (19.2)	1.281 (32.5)					
04	3	.780 (19.8)	.957 (24.3)	.760 (19.3)	.906 (23.0)	.755 (19.2)	1.969 (50.0)					
05	1, 2	.780 (19.8)	1.145 (29.1)	.760 (19.3)	1.093 (27.8)	.942 (23.9)	1.281 (32.5)					
06	3	.780 (19.8)	1.145 (29.1)	.760 (19.3)	1.093 (27.8)	.942 (23.9)	1.969 (50.0)					
07	1, 2	.780 (19.8)	1.332 (33.8)	.760 (19.3)	1.187 (30.1)	1.067 (27.1)	1.281 (32.5)					
08	3	.780 (19.8)	1.332 (33.8)	.760 (19.3)	1.187 (30.1)	1.067 (27.1)	1.969 (50.0)					
09	1, 2	.780 (19.8)	1.332 (33.8)	.760 (19.3)	1.281 (32.5)	1.192 (30.3)	1.281 (32.5)					
10	3	.780 (19.8)	1.332 (33.8)	.760 (19.3)	1.281 (32.5)	1.192 (30.3)	1.969 (50.0)					
11	1, 2	.811 (20.6)	1.551 (39.4)	.760 (19.3)	1.500 (38.1)	1.380 (35.1)	1.344 (34.1)					
12	3	.811 (20.6)	1.551 (39.4)	.760 (19.3)	1.500 (38.1)	1.380 (35.1)	1.969 (50.0)					
13	1, 2	.905 (23.0)	1.770 (45.0)	1.073 (27.3)	1.719 (43.7)	1.535 (39.0)	1.344 (34.1)					
14	3	.905 (23.0)	1.770 (45.0)	1.073 (27.3)	1.719 (43.7)	1.535 (39.0)	1.969 (50.0)					
15	1, 2	1.062 (27.0)	2.113 (53.7)	1.323 (33.6)	2.062 (52.4)	1.848 (46.9)	1.344 (34.1)					
16	3	1.092 (27.7)	2.113 (53.7)	1.323 (33.6)	2.062 (52.4)	1.848 (46.9)	2.062 (52.4)					
17	1, 2	1.124 (28.5)	2.363 (60.0)	1.323 (33.6)	2.312 (58.7)	2.255 (57.3)	1.406 (35.7)					
18	3	1.124 (28.5)	2.363 (60.0)	1.323 (33.6)	2.312 (58.7)	2.255 (57.3)	2.062 (52.4)					
19	1, 2	1.399 (35.5)	2.770 (70.4)	1.572 (39.9)	2.719 (69.1)	2.505 (63.6)	1.406 (35.7)					
20	3	1.399 (35.5)	2.770 (70.4)	1.572 (39.9)	2.719 (69.1)	2.505 (63.6)	2.062 (52.4)					
21	1, 2	1.399 (35.5)	3.020 (76.7)	1.572 (39.9)	2.969 (75.4)	2.755 (70.0)	1.406 (35.7)					
22	3	1.399 (35.5)	3.020 (76.7)	1.572 (39.9)	2.969 (75.4)	2.755 (70.0)	2.375 (60.3)					
23	1, 2	---	---	---	1.572 (39.9)	3.531 (89.7)	3.255 (82.7)	1.531 (38.9)				
24	3	---	---	---	1.572 (39.9)	3.531 (89.7)	3.255 (82.7)	2.375 (60.3)				



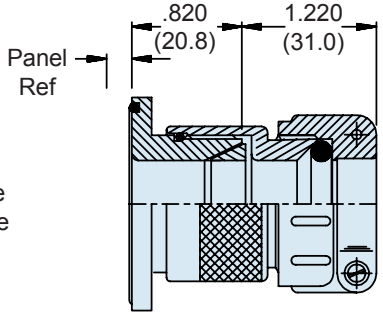
Style 1
Rear Mount Type A
RFI/EMI
(Shown With Style F
Strain Relief)



Style 1
Front Mount Type B
RFI/EMI
(Shown With Style G
Gland Nut)



Style 2
Rear Mount Type A
RFI/EMI Environmental
(Shown With Style F
Strain Relief)



Style 2
Front Mount Type A
RFI/EMI Environmental
(Shown With Style F
Strain Relief)

F

630-008
Square Flange Feed-Through Fittings
RFI/EMI Environmental



TABLE III: Dash Number, Cable Range and Dimensions (Continued Below)

Dash No.	Cable Range		A Max	B Dim	C	
	Min	Max			+0.015 (-0)	+0.4 (-0.0)
01	.125 (3.2)	.250 (6.4)	.885 (22.5)	.593 (15.1)	.120 (3.0)	(3.0)
02	.156 (4.0)	.375 (9.5)	1.104 (28.0)	.812 (20.6)	.120 (3.0)	(3.0)
03	.250 (6.4)	.438 (11.1)	1.197 (30.4)	.906 (23.0)	.120 (3.0)	(3.0)
04	.280 (7.1)	.500 (12.7)	1.291 (32.8)	.968 (24.6)	.120 (3.0)	(3.0)
05	.375 (9.5)	.625 (15.9)	1.385 (35.2)	1.062 (27.0)	.120 (3.0)	(3.0)
06	.500 (12.7)	.750 (19.1)	1.635 (41.5)	1.250 (31.8)	.120 (3.0)	(3.0)
07	.625 (15.9)	.875 (22.2)	1.760 (44.7)	1.375 (34.9)	.147 (3.7)	(3.7)
08	.750 (19.1)	1.000 (25.4)	2.010 (51.1)	1.562 (39.7)	.147 (3.7)	(3.7)
09	.875 (22.2)	1.125 (28.6)	2.260 (57.4)	1.750 (44.5)	.173 (4.4)	(4.4)
10	1.000 (25.4)	1.250 (31.8)	2.510 (63.8)	1.938 (49.2)	.173 (4.4)	(4.4)

TABLE III: (Continued from Above)

Dash No.	D Max	E Max	F		G	
			+0.015 (-0)	+0.4 (-0.0)	+0.031 (-0)	+0.8 (-0.0)
01	.843 (21.4)	.625 (15.9)	.515 (13.1)	(13.1)	.250 (6.4)	(6.4)
02	.968 (24.6)	.750 (19.1)	.640 (16.3)	(16.3)	.375 (9.5)	(9.5)
03	1.046 (26.6)	.875 (22.2)	.765 (19.4)	(19.4)	.438 (11.1)	(11.1)
04	1.156 (29.4)	1.000 (25.4)	.890 (22.6)	(22.6)	.500 (12.7)	(12.7)
05	1.218 (30.9)	1.125 (28.6)	1.015 (25.8)	(25.8)	.625 (15.9)	(15.9)
06	1.343 (34.1)	1.250 (31.8)	1.140 (29.0)	(29.0)	.750 (19.1)	(19.1)
07	1.468 (37.3)	1.375 (34.9)	1.265 (32.1)	(32.1)	.875 (22.2)	(22.2)
08	1.593 (40.5)	1.500 (38.1)	1.390 (35.3)	(35.3)	1.000 (25.4)	(25.4)
09	1.718 (43.6)	1.625 (41.3)	1.515 (38.5)	(38.5)	1.125 (28.6)	(28.6)
10	1.843 (46.8)	1.750 (44.5)	1.640 (41.7)	(41.7)	1.250 (31.8)	(31.8)

APPLICATION NOTES

1. Assembly identified with manufacturer's name and part number, space permitting.
2. Cable range is defined as the accommodations range for the wire bundle or cable. Dimensions shown are not intended for inspection criteria.
3. Material / Finish: See Table II.
4. Metric dimensions (mm) are indicated in parentheses.

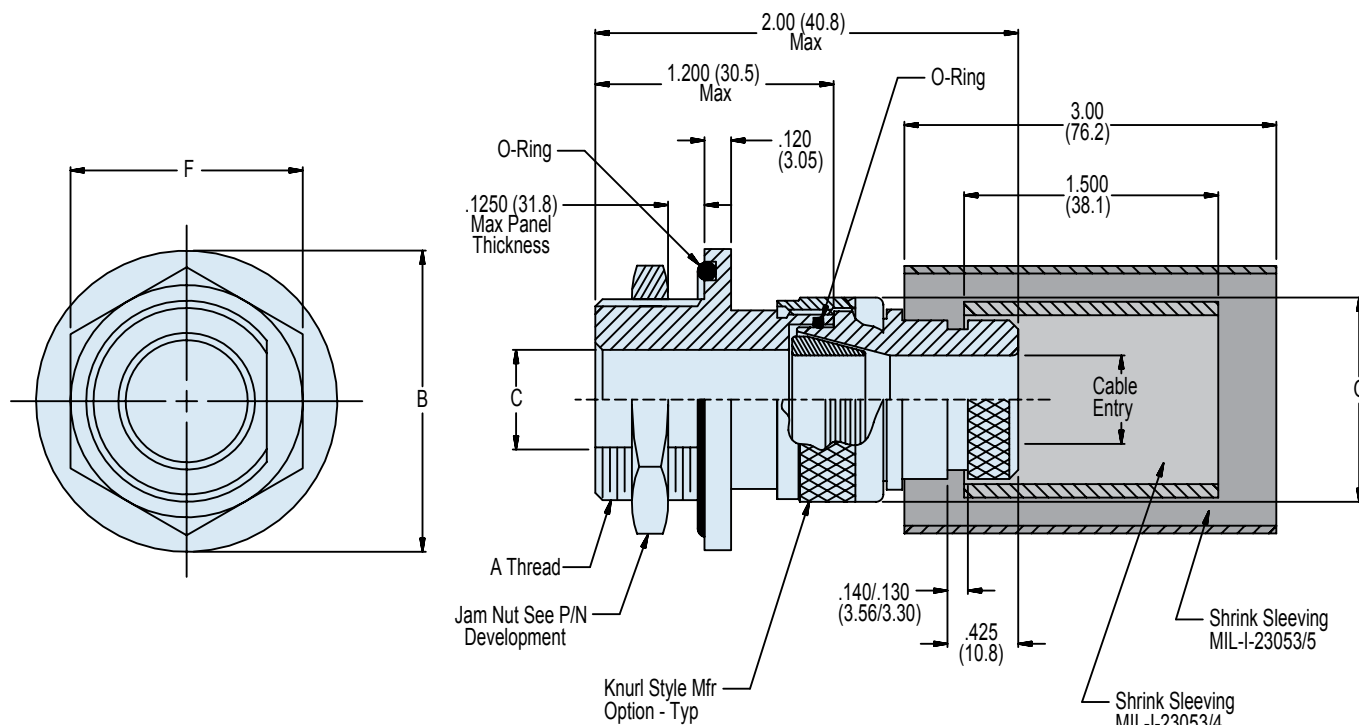
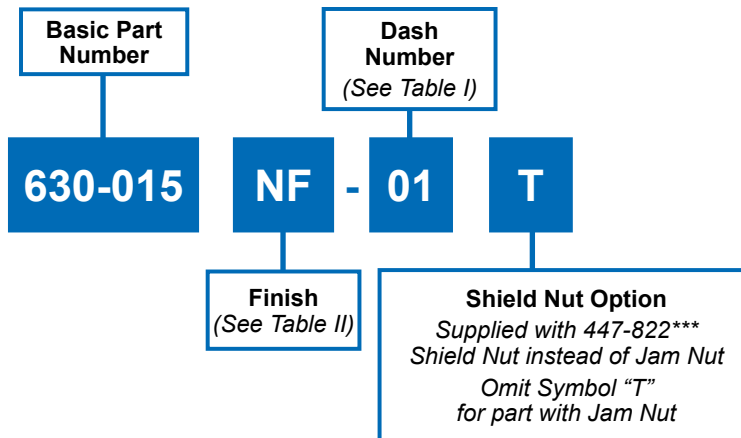
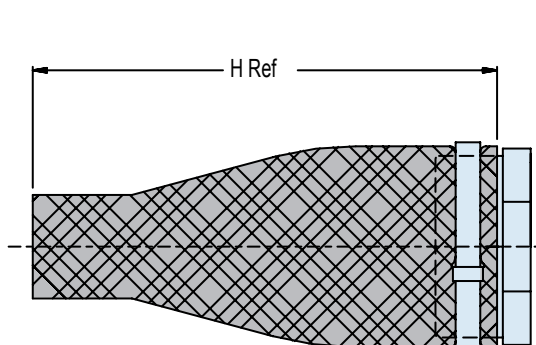


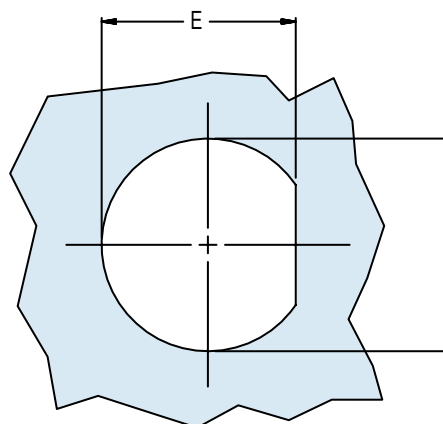
TABLE I: Dash Number and Dimensions

Dash No.	A Thread Class 2A	B Max	C +.010 (0.25) -0	D +.010 (0.25) -0	E +.010 (0.25) -0	F	G Max	H Min	Max Cable Entry	MIL-I-23053 Shrink Sleeve	MIL-I-23053 Shrink Sleeve	Braid Sock 103-005-005 Ref
01	3/4-20 UNEF	1.140 (29.0)	.340 (8.6)	.755 (19.2)	.691 (17.6)	.938 (23.8)	1.004 (25.5)	6.0	.335 (8.5)	/4-204-0	/5-109-0	A10
02	3/4-20 UNEF	1.140 (29.0)	.460 (11.7)	.755 (19.2)	.691 (17.6)	.938 (23.8)	1.132 (28.8)	6.0	.455 (11.6)	/4-204-0	/5-109-0	A10
03	7/8-20 UNEF	1.280 (32.5)	.630 (16.0)	.880 (22.4)	.816 (20.7)	1.062 (27.0)	1.343 (34.1)	6.0	.625 (15.9)	/4-205-0	/5-110-0	A10
04	1 1/16-18 UNEF	1.490 (37.8)	.755 (19.2)	1.067 (27.1)	1.004 (25.5)	1.250 (31.8)	1.468 (37.3)	6.0	.750 (19.1)	/4-206-0	/5-110-0	A14
05	1 3/16-18 UNEF	1.640 (41.7)	.880 (22.4)	1.192 (30.3)	1.130 (28.7)	1.375 (34.9)	1.593 (40.5)	6.0	.875 (22.2)	/4-506-0	/5-111-0	A16
06	1 5/16-18 UNEF	1.930 (49.0)	1.005 (25.5)	1.137 (28.9)	1.254 (31.9)	1.625 (41.3)	1.656 (42.1)	6.0	1.000 (25.4)	/4-305-0	/5-111-0	A18

630-015
Fiber Optic Bulkhead Feed-Through Adapter
Cable with Kevlar



447-822* ASSEMBLY**
Style T see P/N Development



RECOMMENDED PANEL CUT-OUT

TABLE I: Finish	
Symbol	Description
B	Cadmium Plate/Olive Drab
M	Electroless Nickel
N	Cadmium Plate/Olive Drab over Nickel
NF	Cad/O.D. over Electroless Nickel (1,000 Hr. Salt Spray)

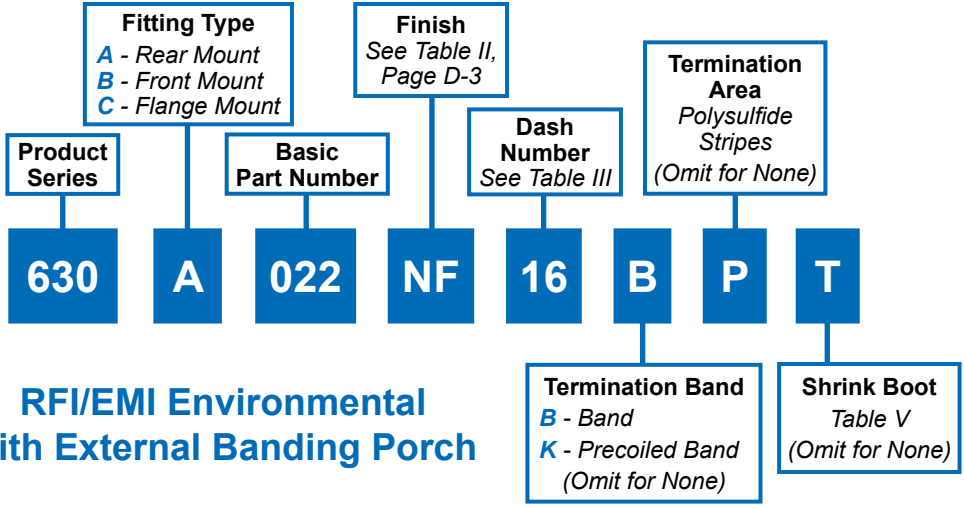
APPLICATION NOTES

1. Assembly identified with manufacturer's code identification number (Glenair, part number and classification code 490).
2. Glenair series 600 backshell assembly tools are recommended for assembly and installation.
3. Material / Finish:
 Adapters, Jam Nut, Ferrule, Coupling Nut - Al alloy/see Table I.
 Hardware - 316 SST/passivate.
 Seals and gaskets - Silicone/N.A.
 Mounting Plate - 300 series SST/passivate.
4. MIL-T-23053/4 & /5 shrink sleeving to be packaged loose in a plastic bag.
5. Metric dimensions (mm) are indicated in parentheses.

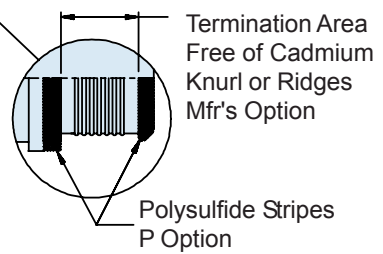
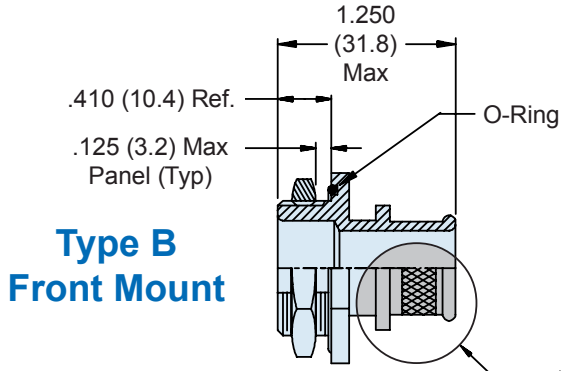
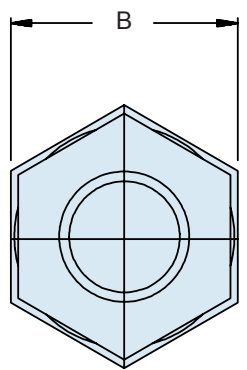
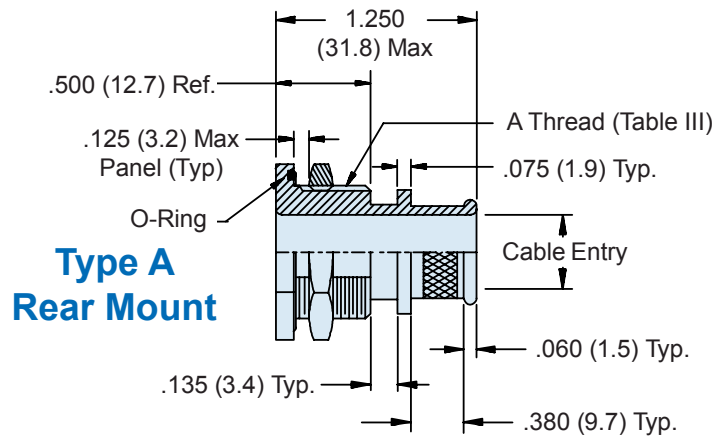
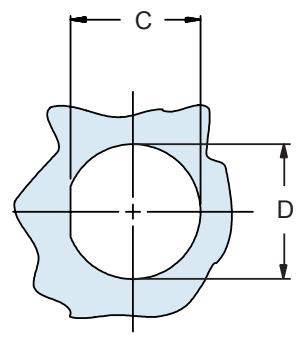




630-022
Feed-Through Fittings
Banding Adapter RFI/EMI Environmental



**RFI/EMI Environmental
with External Banding Porch**



F

630-022
Feed-Through Fittings
Banding Adapter RFI/EMI Environmental

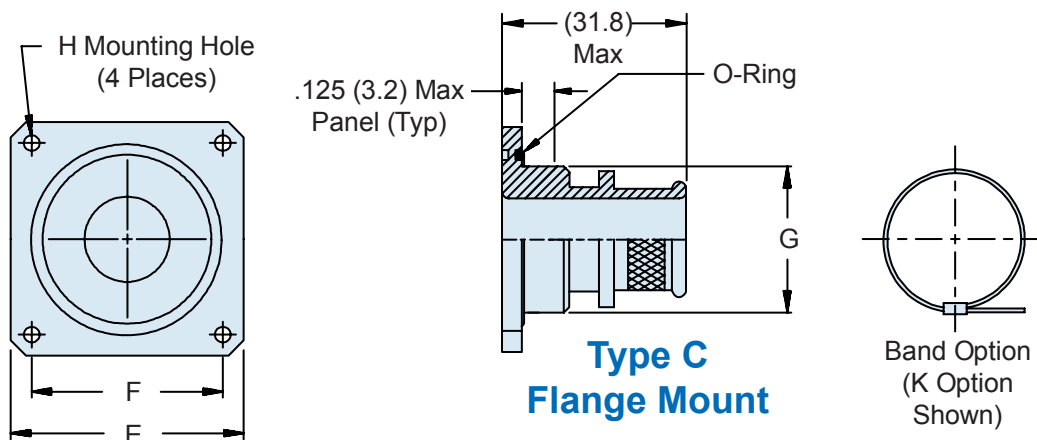


TABLE III: Dash Number, Cable Range and Dimensions

No.	Cable Entry Dia	A Thread Unified	B Dim	C Flat ± .010 (± .3)	D Dia ± .010 (± .3)	E Sq ± .031 (± .8)	F Dim.	G Dia + .005 (+ .1) - .015 (- .4)
03	.188 (4.8)	1/2 -28	.688 (17.5)	.480 (12.2)	.515 (13.1)	.875 (22.2)	.594 (15.1)	.500 (12.7)
04	.250 (6.4)	1/2 -28	.688 (17.5)	.480 (12.2)	.515 (13.1)	.875 (22.2)	.594 (15.1)	.500 (12.7)
05	.313 (8.0)	5/8 -24	.813 (20.7)	.605 (15.4)	.640 (16.3)	1.000 (25.4)	.719 (18.3)	.625 (15.9)
06	.375 (9.5)	5/8 -24	.813 (20.7)	.605 (15.4)	.640 (16.3)	1.000 (25.4)	.719 (18.3)	.625 (15.9)
07	.438 (11.1)	3/4 -20	.938 (23.8)	.730 (18.5)	.765 (19.4)	1.094 (27.8)	.812 (20.6)	.750 (19.1)
08	.500 (12.7)	3/4 -20	.938 (23.8)	.730 (18.5)	.765 (19.4)	1.094 (27.8)	.812 (20.6)	.750 (19.1)
09	.563 (14.3)	7/8 -20	1.063 (27.0)	.855 (21.7)	.890 (22.6)	1.188 (30.2)	.906 (23.0)	.875 (22.2)
10	.625 (15.9)	7/8 -20	1.063 (27.0)	.855 (21.7)	.890 (22.6)	1.188 (30.2)	.906 (23.0)	.875 (22.2)
11	.688 (17.5)	1 -20	1.188 (30.2)	.980 (24.9)	1.015 (25.8)	1.281 (32.5)	.969 (24.6)	1.000 (25.4)
12	.750 (19.1)	1 -20	1.188 (30.2)	.980 (24.9)	1.015 (25.8)	1.281 (32.5)	.969 (24.6)	1.000 (25.4)
13	.813 (20.7)	1 1/8 -18	1.313 (33.4)	1.105 (28.1)	1.140 (29.0)	1.375 (34.9)	1.062 (27.0)	1.125 (28.6)
14	.875 (22.2)	1 1/4 -18	1.438 (36.5)	1.230 (31.2)	1.265 (32.1)	1.500 (38.1)	1.156 (29.4)	1.250 (31.8)
15	.938 (23.8)	1 1/4 -18	1.438 (36.5)	1.230 (31.2)	1.265 (32.1)	1.500 (38.1)	1.156 (29.4)	1.250 (31.8)
16	1.000 (25.4)	1 3/8 -18	1.563 (39.7)	1.355 (34.4)	1.390 (35.3)	1.625 (41.3)	1.250 (31.8)	1.375 (34.9)
17	1.063 (27.0)	1 3/8 -18	1.563 (39.7)	1.355 (34.4)	1.390 (35.3)	1.625 (41.3)	1.250 (31.8)	1.375 (34.9)
18	1.125 (28.6)	1 1/2 -18	1.688 (42.9)	1.480 (37.6)	1.515 (38.5)	1.750 (44.5)	1.375 (34.9)	1.500 (38.1)
19	1.188 (30.2)	1 1/2 -18	1.688 (42.9)	1.480 (37.6)	1.515 (38.5)	1.750 (44.5)	1.375 (34.9)	1.500 (38.1)
20	1.250 (31.8)	1 5/8 -18	1.813 (46.1)	1.605 (40.8)	1.640 (41.7)	1.812 (46.0)	1.500 (38.1)	1.625 (41.3)
22	1.375 (34.9)	1 3/4 -18	1.938 (49.2)	1.730 (43.9)	1.765 (44.8)	2.000 (50.8)	1.562 (39.7)	1.750 (44.5)
24	1.500 (38.1)	2 -18	2.188 (55.6)	1.980 (50.3)	2.015 (51.2)	2.250 (57.2)	1.750 (44.5)	2.000 (50.8)
26	1.625 (41.3)	2 -18	2.188 (55.6)	1.980 (50.3)	2.015 (51.2)	2.250 (57.2)	1.750 (44.5)	2.000 (50.8)
28	1.750 (44.5)	2 1/4 -16	2.438 (61.9)	2.230 (56.6)	2.265 (57.5)	2.500 (63.5)	1.938 (49.2)	2.250 (57.2)

TABLE IV

Dash Nos.	H Dia + .015 (+ .4) - .000 (- .0)
03-17	.125 (3.2)
18-20	.156 (4.0)
22-28	.188 (4.8)

TABLE V

Dash Nos.	Shrink Boot (Note 4)
03-06	202K121-25-0
07-10	202K132-25-0
11-12	202K142-25-0
13-16	202K153-25-0
17-20	202K163-25-0
22-26	202K174-25-0
28	202K185-25-0

APPLICATION NOTES

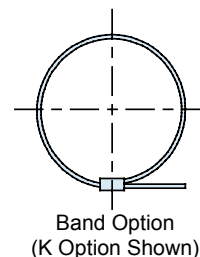
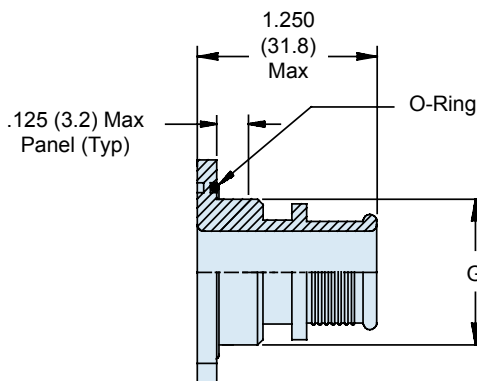
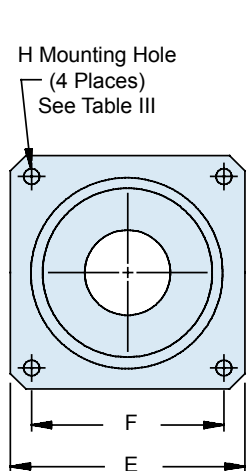
1. Assembly identified with manufacturer's name and part number, space permitting.
2. Cable range is defined as the accommodations range for the wire bundle or cable. Dimensions shown are not intended for inspection criteria.
3. Material / Finish: See Table II.
4. Raychem shrink boot supplied with "T" option (see part number development).
5. Metric dimensions (mm) are indicated in parentheses.



630-030
Composite Thru-Box, Panel and Bulkhead
RFI/EMI/Environmental Banding Adapter



Feed
Throughs



Type C
Flange Mount

TABLE I: CABLE ENTRY

Entry Code	Cable Entry Dia	A Thread Unified	B Dim	C Flat		E Sq	F Dim.	G Dia	
				$\pm .010$ ($\pm .3$)	$\pm .010$ ($\pm .3$)			$+ .005$ ($+ .1$)	$- .015$ ($- .4$)
03	.188 (4.8)	1/2 -28	.688 (17.5)	.480 (12.2)	.515 (13.1)	.875 (22.2)	.594 (15.1)	.500 (12.7)	
04	.250 (6.4)	1/2 -28	.688 (17.5)	.480 (12.2)	.515 (13.1)	.875 (22.2)	.594 (15.1)	.500 (12.7)	
05	.313 (8.0)	5/8 -24	.813 (20.7)	.605 (15.4)	.640 (16.3)	1.000 (25.4)	.719 (18.3)	.625 (15.9)	
06	.375 (9.5)	5/8 -24	.813 (20.7)	.605 (15.4)	.640 (16.3)	1.000 (25.4)	.719 (18.3)	.625 (15.9)	
07	.438 (11.1)	3/4 -20	.938 (23.8)	.730 (18.5)	.765 (19.4)	1.094 (27.8)	.812 (20.6)	.750 (19.1)	
08	.500 (12.7)	3/4 -20	.938 (23.8)	.730 (18.5)	.765 (19.4)	1.094 (27.8)	.812 (20.6)	.750 (19.1)	
09	.563 (14.3)	7/8 -20	1.063 (27.0)	.855 (21.7)	.890 (22.6)	1.188 (30.2)	.906 (23.0)	.875 (22.2)	
10	.625 (15.9)	7/8 -20	1.063 (27.0)	.855 (21.7)	.890 (22.6)	1.188 (30.2)	.906 (23.0)	.875 (22.2)	
11	.688 (17.5)	1 -20	1.188 (30.2)	.980 (24.9)	1.015 (25.8)	1.281 (32.5)	.969 (24.6)	1.000 (25.4)	
12	.750 (19.1)	1 -20	1.188 (30.2)	.980 (24.9)	1.015 (25.8)	1.281 (32.5)	.969 (24.6)	1.000 (25.4)	
13	.813 (20.7)	1 1/8 -18	1.313 (33.4)	1.105 (28.1)	1.140 (29.0)	1.375 (34.9)	1.062 (27.0)	1.125 (28.6)	
14	.875 (22.2)	1 1/4 -18	1.438 (36.5)	1.230 (31.2)	1.265 (32.1)	1.500 (38.1)	1.156 (29.4)	1.250 (31.8)	
15	.938 (23.8)	1 1/4 -18	1.438 (36.5)	1.230 (31.2)	1.265 (32.1)	1.500 (38.1)	1.156 (29.4)	1.250 (31.8)	
16	1.000 (25.4)	1 3/8 -18	1.563 (39.7)	1.355 (34.4)	1.390 (35.3)	1.625 (41.3)	1.250 (31.8)	1.375 (34.9)	
17	1.063 (27.0)	1 3/8 -18	1.563 (39.7)	1.355 (34.4)	1.390 (35.3)	1.625 (41.3)	1.250 (31.8)	1.375 (34.9)	
18	1.125 (28.6)	1 1/2 -18	1.688 (42.9)	1.480 (37.6)	1.515 (38.5)	1.750 (44.5)	1.375 (34.9)	1.500 (38.1)	
19	1.188 (30.2)	1 1/2 -18	1.688 (42.9)	1.480 (37.6)	1.515 (38.5)	1.750 (44.5)	1.375 (34.9)	1.500 (38.1)	
20	1.250 (31.8)	1 5/8 -18	1.813 (46.1)	1.605 (40.8)	1.640 (41.7)	1.812 (46.0)	1.500 (38.1)	1.625 (41.3)	
22	1.375 (34.9)	1 3/4 -18	1.938 (49.2)	1.730 (43.9)	1.765 (44.8)	2.000 (50.8)	1.562 (39.7)	1.750 (44.5)	
24	1.500 (38.1)	2 -18	2.188 (55.6)	1.980 (50.3)	2.015 (51.2)	2.250 (57.2)	1.750 (44.5)	2.000 (50.8)	
26	1.625 (41.3)	2 -18	2.188 (55.6)	1.980 (50.3)	2.015 (51.2)	2.250 (57.2)	1.750 (44.5)	2.000 (50.8)	
28	1.750 (44.5)	2 1/4 -16	2.438 (61.9)	2.230 (56.6)	2.265 (57.5)	2.500 (63.5)	1.938 (49.2)	2.250 (57.2)	

TABLE II

Symbol	Finish Description
XM	2000 Hour Corrosion Resistant Electroless Nickel
XMT	2000 Hour Corrosion Resistant Ni-PTFE, Nickel-Fluorocarbon Polymer. 1000 Hour Grey™
XW	2000 Hour Corrosion Resistant Cadmium/Olive Drab over Electroless Nickel

TABLE III: MOUNTING

	H Dia
Dash	+ .015 (+ .4)
Nos.	- .000 (- .0)
03-17	.125 (3.2)
18-20	.156 (4.0)
22-28	.188 (4.8)

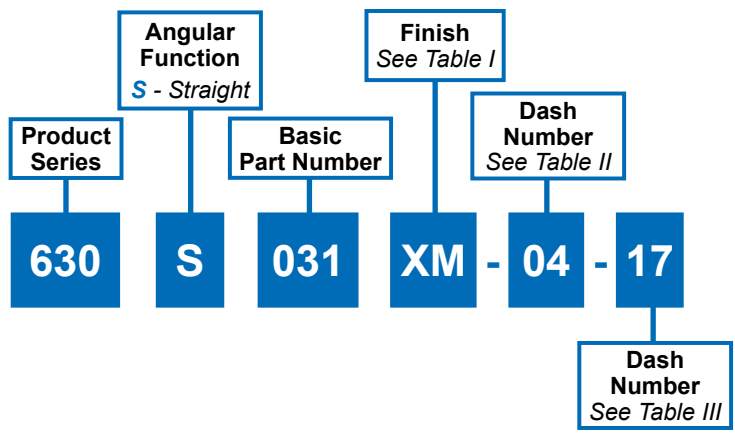
APPLICATION NOTES

- Metric dimensions (mm) are in parentheses and are for reference only
- Consult factory for shrink boot to be supplied with part.



630-031
Composite RFI/EMI Environmental Feed-Through
Jam-Nut Mount Accessory Adapter

For Use With
MIL-DTL-38999
Series III and
IV Accessory
Threads
(Glenair Code H)



- APPLICATION NOTES**
- MIL-DTL-38999 Series III and IV accessory interface, Glenair Code H.
 - Metric dimensions (mm) are indicated in parentheses.

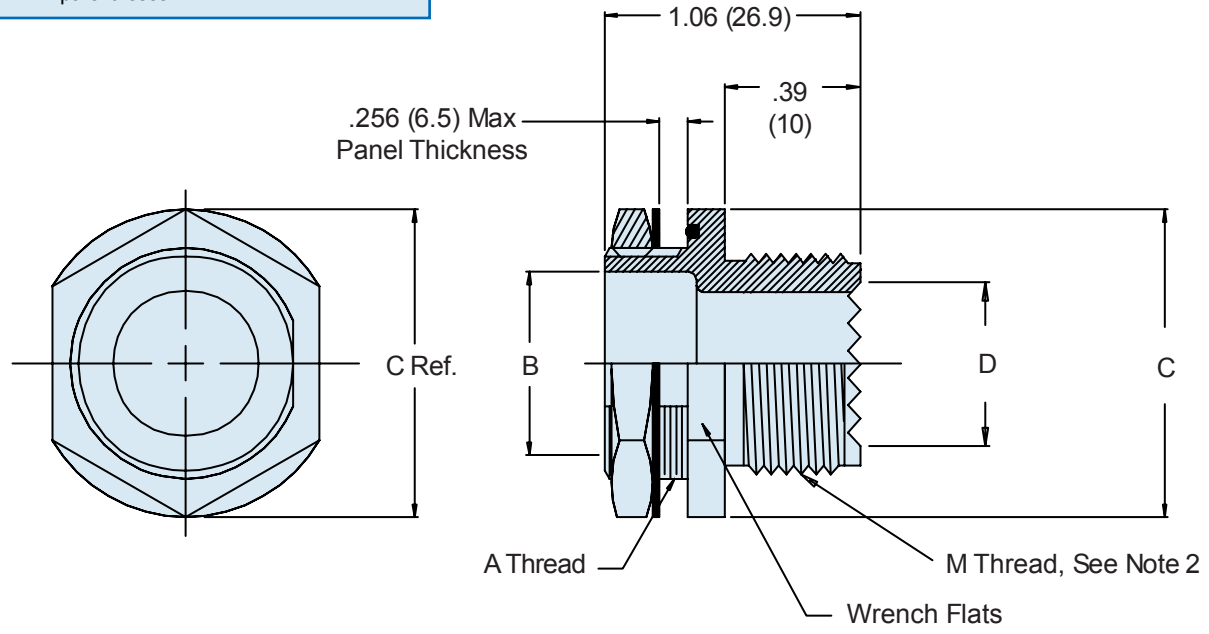


TABLE I: Finish

XM	Electroless Nickel
XW	Cadmium Olive Drab Over Electroless Nickel

TABLE II: Dash Number, Max Entry

Dash No.	A Thread ISO Metric	B Dia. Min.	C Max.	Max Entry Table III
01	M 16 x 1.5-6g	.394 (10.0)	1.024 (26.0)	11
02	M 20 x 1.5-6g	.551 (14.0)	1.181 (30.0)	13
03	M 27 x 2.0-6g	.866 (22.0)	1.496 (38.0)	21
04	M 36 x 2.0-6g	1.181 (30.0)	1.850 (47.0)	25

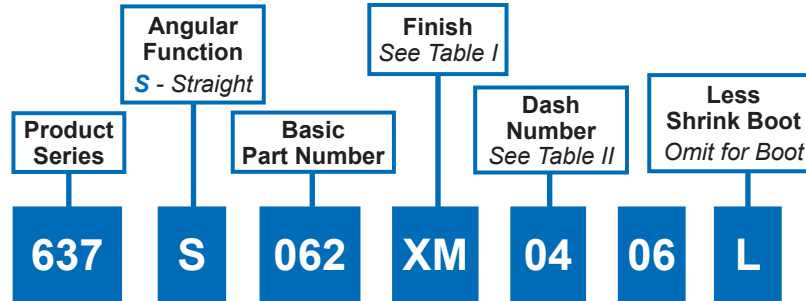
TABLE III: Dash Number

Dash No.	M Thread ISO Metric	D Min
09	M 12 x 1.0-6g	.250 (6.4)
11	M 15 x 1.0-6g	.375 (9.5)
13	M 18 x 1.0-6g	.500 (12.7)
15	M 22 x 1.0-6g	.625 (15.9)
17	M 25 x 1.0-6g	.750 (19.1)
19	M 28 x 1.0-6g	.812 (20.6)
21	M 31 x 1.0-6g	.938 (23.8)
23	M 34 x 1.0-6g	1.062 (27.0)
25	M 37 x 1.0-6g	1.188 (30.2)

637-062 Composite Shrink Boot Feed-Through Adapter Jam Nut Mount Environmental



Feed Throughs



- APPLICATION NOTES**
- Consult factory for shrink boot to be supplied with product.
 - Metric dimensions (mm) are indicated in parentheses.

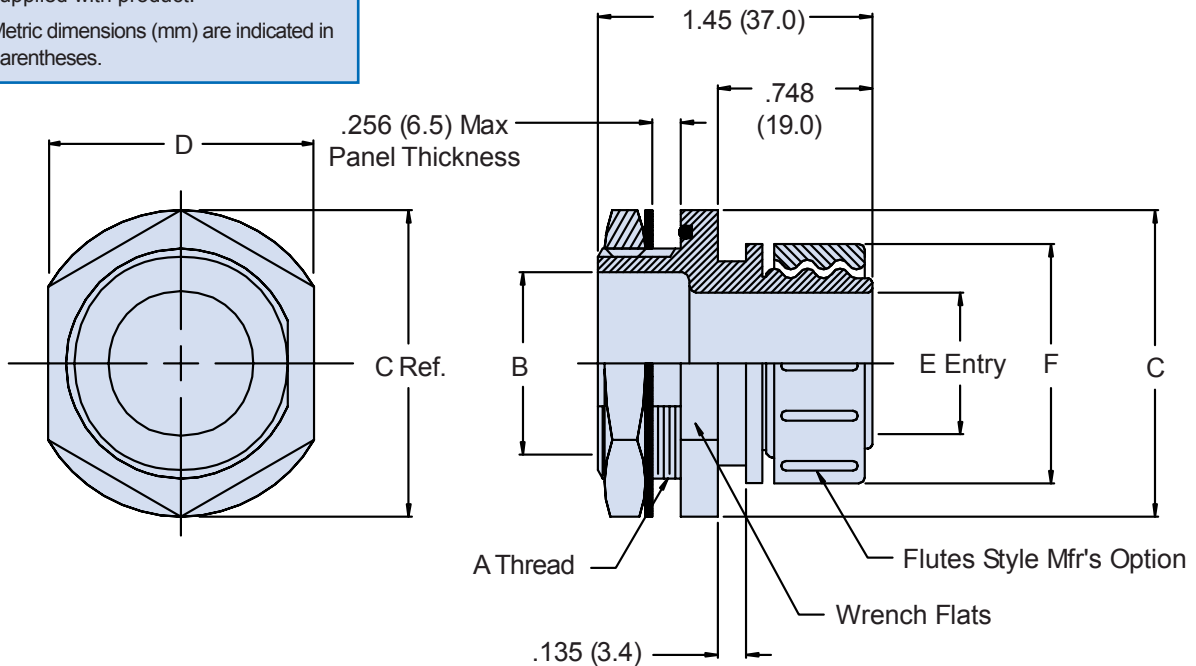


TABLE I: Finish

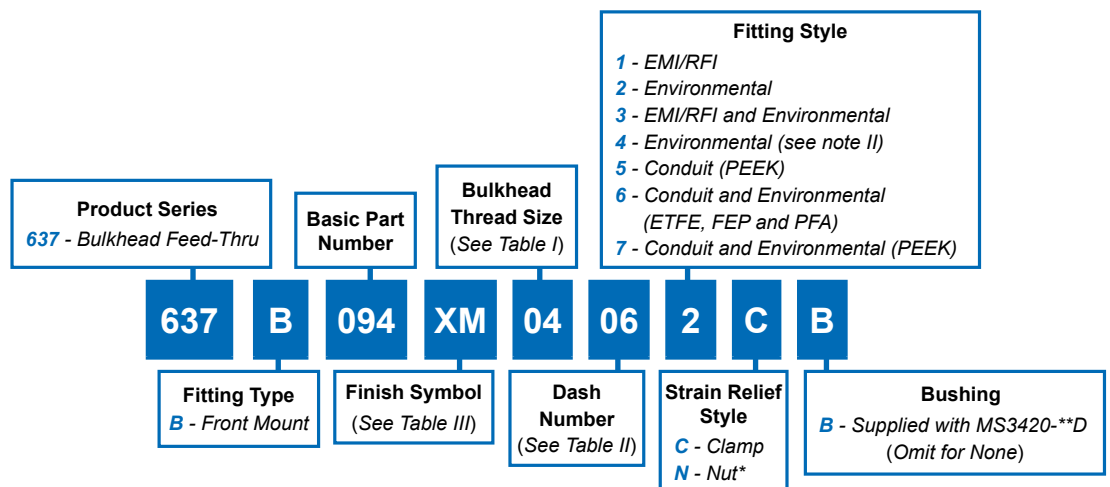
XM	Electroless Nickel
XW	Cadmium Olive Drab Over Electroless Nickel

TABLE II: Dash Number, Max Entry

Dash No.	A Thread ISO Metric	B Dia. Min.	C Max.	Max Entry Table III
01	M 16 x 1.5-6g	.394 (10.0)	.98 (24.9)	03
02	M 20 x 1.5-6g	.551 (14.0)	1.18 (30.0)	04
03	M 27 x 2.0-6g	.866 (22.0)	1.50 (38.1)	07
04	M 36 x 2.0-6g	1.181 (30.0)	1.97 (54.1)	08

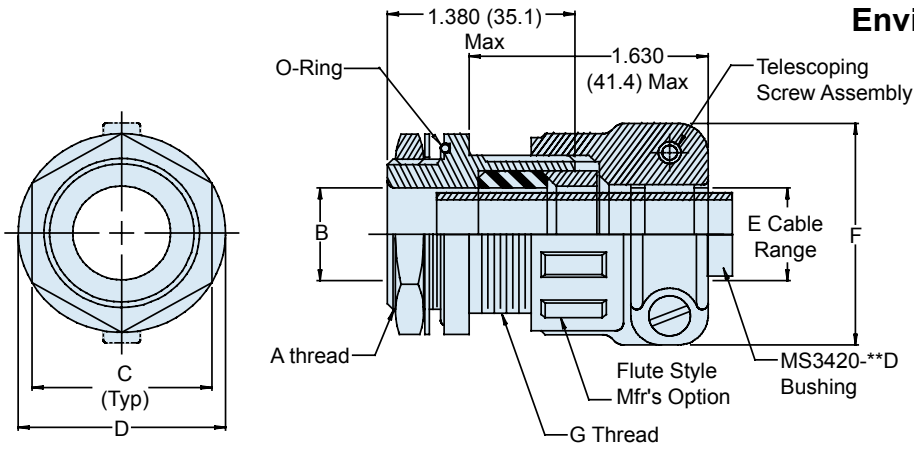
TABLE III: Dash Number

Dash No.	E +.03 (-.00)	(.8) (.0)	F Max
01	.125 (3.2)	.531 (13.5)	
02	.250 (6.4)	.656 (16.7)	
03	.375 (9.5)	.781 (19.8)	
04	.500 (12.7)	.906 (23.0)	
05	.625 (15.9)	1.031 (26.2)	
06	.750 (19.1)	1.156 (29.4)	
07	.875 (22.2)	1.281 (32.5)	
08	1.000 (25.4)	1.406 (35.7)	

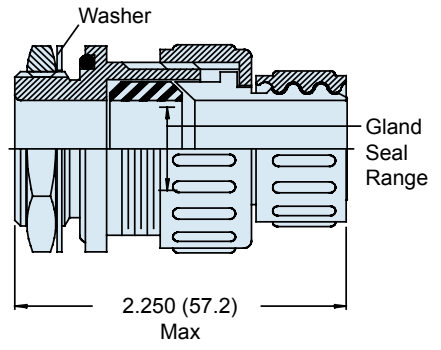


*(for styles A, B and C only)

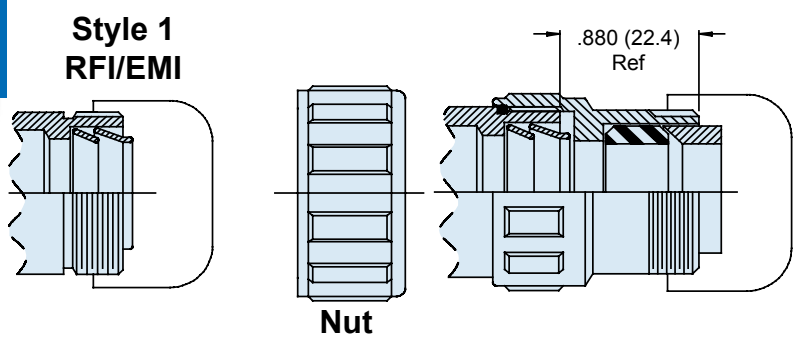
Type B Environmental Style 2



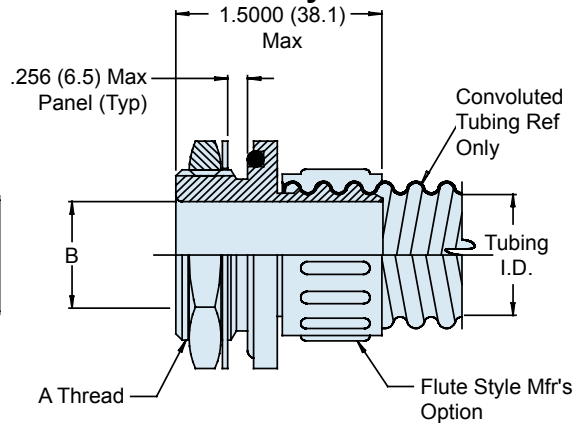
Type B Environmental Conduit Adapter Style 6 or 7



Type B RFI/EMI & Environmental Style 3



Type B Conduit Adapter Style 5



F

637-094
Composite Box Conduit or Cable
Feed-Through Adapter Series



TABLE I: BULKHEAD THREAD SIZE

Dash No.	A Thread ISO Metric	B Ref Diameter	C	D Max Diameter	Max Entry Table II
01	M16 x 1.5-6g	.55 (14.0)	.875 (22.2)	1.06 (27.2)	06
02	M20 x 1.5-6g	.61 (15.5)	1.062 (27.0)	1.19 (30.5)	10
03	M27 x 2.0-6g	.86 (21.8)	1.375 (34.9)	1.50 (38.4)	16
04	M36 x 2.0-6g	1.21 (30.7)	1.750 (44.5)	2.00 (51.1)	20
05	1 -20 UNEF-2A	.78 (19.8)	1.250 (31.8)	1.38 (35.3)	12

TABLE II: CONNECTOR SHELL SIZE ORDER NUMBER

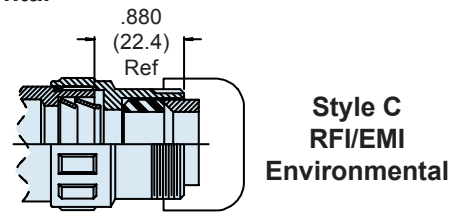
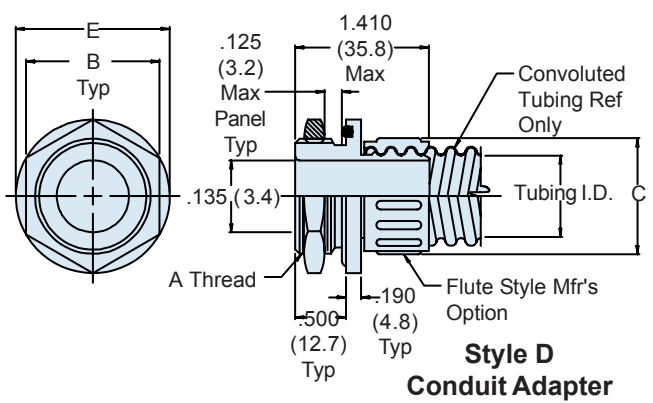
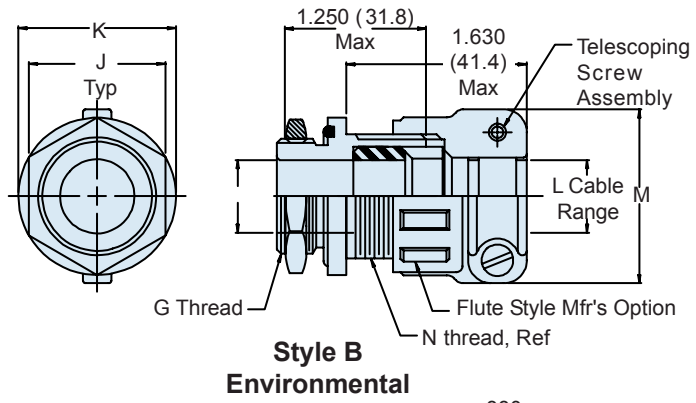
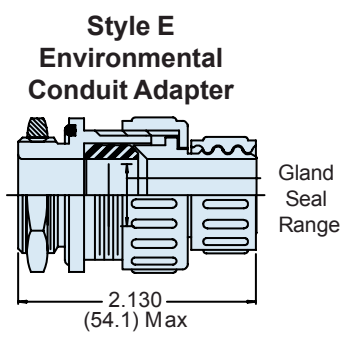
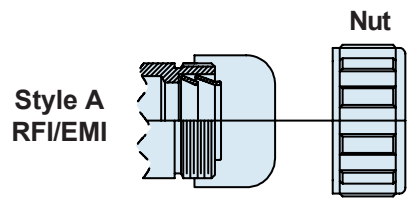
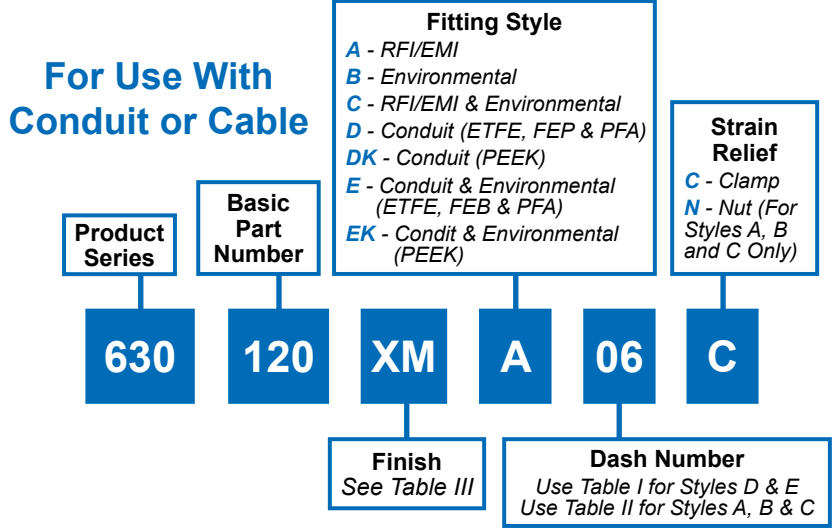
Dash No.	E		F Max	G Thread		Ref. Conduit Size Styles 5, 6 & 7
	Min	Max		Unified Class 2A	MS3420-**D	
04	.188 (4.8)	.312 (7.9)	1.150 (29.2)	11/16-24	-04	14
06	.291 (7.1)	.438 (11.1)	1.270 (32.3)	13/16-20	-06	16
10	.375 (9.5)	.610 (15.5)	1.460 (37.1)	1 1/16-18	-06 & -10	24
12	.438 (11.1)	.750 (19.1)	1.620 (41.1)	1 1/4-18	-08 & -12	28
16	.625 (15.9)	.860 (21.8)	1.770 (44.9)	1 1/2-18	-12 & -16	32
20	.875 (22.2)	1.210 (30.7)	2.060 (52.3)	1 13/16-16	-16 & -20	40

TABLE III

Symbol	Finish Description
XB	No Plating - Black Color (Non-Conductive Finish)
XM	2000 Hour Corrosion Resistant Electroless Nickel
XMT	2000 Hour Corrosion Resistant Ni-PTFE, Nickel-Fluorocarbon Polymer. <i>1000 Hour Grey™</i>
XO	No Plating - Brown Color (Non-Conductive Finish)
XW	2000 Hour Corrosion Resistant Cadmium/Olive Drab over Electroless Nickel



637-120
Composite Feed-Through Fitting
Universal Conduit/Cable Accessory Adapter



APPLICATION NOTES

- Metric dimensions (mm) are indicated in parentheses.



637-120
Composite Feed-Through Fitting
Universal Conduit/Cable Accessory Adapter



TABLE I: Dash Number, Gland Seal Range and Dimensions (Continued Below)

Dash No.	A Thread Class 2A	B		C		D		E		Tubing I.D.		Gland Seal Range	
		Across Flat		Max	Min	Max	Min	Max	Min	Max	Min	Max	
06	1/2-28 UNEF	.750 (19.1)	.500 (12.7)	.162 (4.1)	.900 (22.9)	.181 (4.6)	.187 (4.7)	.156 (4.0)	.250 (6.4)				
09	1/2-28 UNEF	.750 (19.1)	.600 (15.2)	.244 (6.2)	.900 (22.9)	.273 (6.9)	.281 (7.1)	.156 (4.0)	.250 (6.4)				
10	5/8-24 UNEF	.880 (22.4)	.630 (16.0)	.274 (7.0)	1.030 (26.2)	.306 (7.8)	.312 (7.9)	.156 (4.0)	.250 (6.4)				
12	5/8-24 UNEF	.880 (22.4)	.700 (17.8)	.326 (8.3)	1.030 (26.2)	.364 (9.2)	.375 (9.5)	.188 (4.8)	.312 (7.9)				
14	3/4-20 UNEF	1.000 (25.4)	.760 (19.3)	.382 (9.7)	1.160 (29.5)	.427 (10.8)	.437 (11.1)	.250 (6.4)	.438 (11.1)				
16	3/4-20 UNEF	1.000 (25.4)	.850 (21.6)	.434 (11.0)	1.160 (29.5)	.485 (12.3)	.500 (12.7)	.250 (6.4)	.438 (11.1)				
20	7/8-20 UNEF	1.130 (28.7)	.970 (24.6)	.539 (13.7)	1.280 (32.5)	.608 (15.4)	.625 (15.9)	.375 (9.5)	.625 (15.9)				
24	1-20 UNEF	1.250 (31.8)	1.140 (29.0)	.649 (16.5)	1.410 (35.8)	.730 (18.5)	.750 (19.1)	.375 (9.5)	.625 (15.9)				
28	1 1/8-18 UNEF	1.500 (38.1)	1.280 (32.5)	.769 (19.5)	1.530 (38.9)	.860 (21.8)	.875 (22.2)	.438 (11.1)	.750 (19.1)				
32	1 3/8-18 UNEF	1.750 (44.5)	1.450 (36.8)	.868 (22.0)	1.780 (45.2)	.975 (24.8)	1.000 (25.4)	.625 (15.9)	.938 (23.8)				
40	1 1/2-18 UNEF	1.880 (47.8)	1.760 (44.7)	1.078 (27.4)	1.890 (48.0)	1.210 (30.7)	1.250 (31.8)	.875 (22.2)	1.250 (31.8)				
48	1 3/4-18 UNEF	2.130 (54.1)	2.060 (52.3)	1.200 (30.5)	2.280 (57.9)	1.437 (36.5)	1.500 (38.1)	1.000 (25.4)	1.375 (34.9)				
56	2-18 UNS	2.380 (60.5)	2.390 (60.7)	1.400 (35.6)	2.530 (64.3)	1.688 (42.9)	1.750 (44.5)	1.250 (31.8)	1.625 (41.3)				
64	2 1/4-16 UN	2.630 (66.8)	2.570 (65.3)	1.600 (40.6)	2.780 (70.6)	1.937 (49.2)	2.000 (50.8)	1.250 (31.8)	1.625 (41.3)				

TABLE II: (Continued from Above)

Dash No.	G Thread Class 2A	H Min	J		K Max	L		M Max	N Thread Unified Class 2 A
			Across Flat			Min	Max		
04	5/8-24 UNEF	.362 (9.2)	.880 (22.4)	1.030 (26.2)	.188 (4.8)	.312 (7.9)	1.150 (29.2)	11/16-24	
06	3/4-20 UNEF	.434 (11.0)	1.000 (25.4)	1.160 (29.5)	.281 (7.1)	.438 (12.3)	1.270 (32.3)	13/16-20	
10	1-20 UNEF	.649 (16.5)	1.250 (31.8)	1.410 (35.8)	.375 (9.5)	.610 (15.5)	1.460 (37.1)	1 1/16-18	
12	1 1/8-18 UNEF	.769 (19.5)	1.500 (38.1)	1.530 (38.9)	.438 (12.3)	.750 (19.1)	1.620 (41.1)	1 1/4-18	
16	1 3/8-18 UNEF	.868 (22.0)	1.750 (44.5)	1.780 (45.2)	.625 (15.9)	.860 (21.8)	1.770 (45.0)	1 1/2-18	
20	1 3/4-10 UNEF	1.200 (30.5)	2.130 (54.1)	2.280 (57.9)	.875 (22.2)	1.210 (30.7)	2.060 (52.3)	1 13/16-16	

TABLE III: Finish

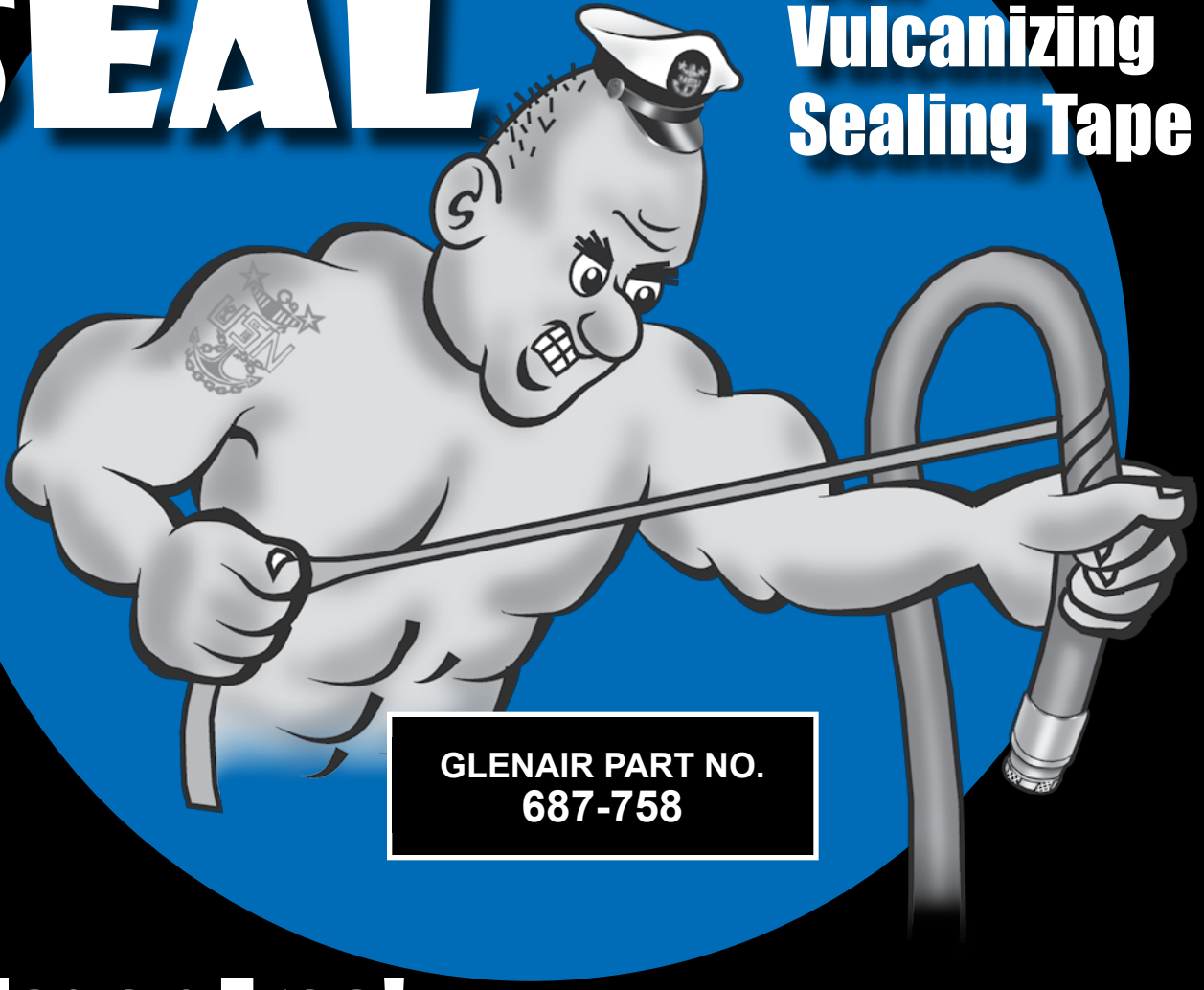
XM	Electroless Nickel
XW	Cadmium Olive Drab Over Electroless Nickel
XO	No Plating - Base Material Non-Conductive

APPLICATION NOTES

- Metric dimensions (mm) are indicated in parentheses.

MASTER SEAL

**Self-
Vulcanizing
Sealing Tape**



**GLENAIR PART NO.
687-758**

Halogen Free!

“BlueJacket” material sealing tape designed for temporary repairs to topside conduit; Stops water incursion into conduit until a permanent repair using MIL-PRF-24758A components can be made.

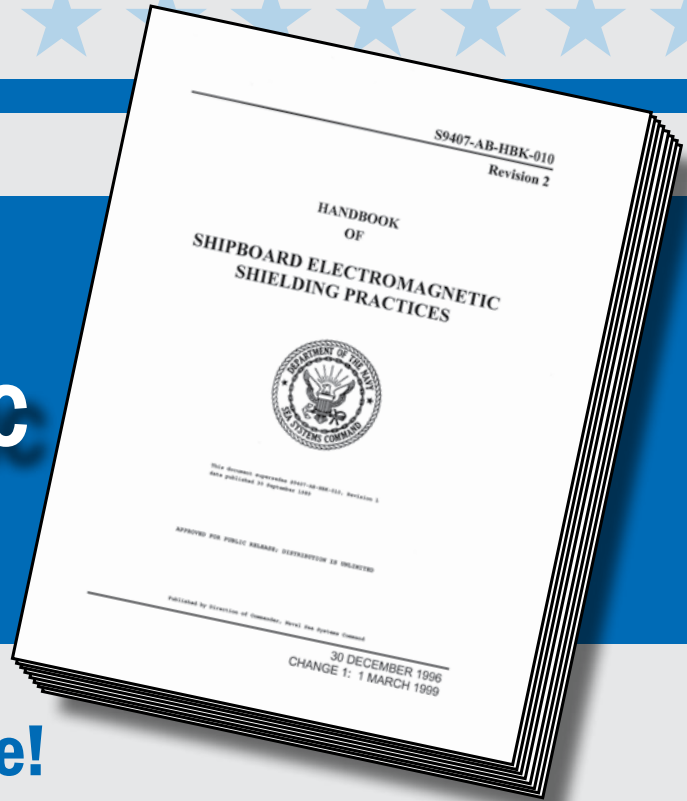


1211 Air Way
Glendale, California 91201-2497
Telephone: 818-247-6000 · Facsimile: 818-500-9912 · E-Mail: sales@glenair.com

United States · United Kingdom · Germany · Nordic · France · Italy · Spain · Japan
www.glenair.com

Get the U.S. Navy's

HANDBOOK OF SHIPBOARD ELECTROMAGNETIC SHIELDING PRACTICES



S9407-AB-HBK-010, Rev. 2

Now on **Glenair's Website!**

Go to:

http://www.glenair.com/backshells/shipboard/shipboard_emi_shielding_handbook.pdf

**Glenair is also qualified for the following GR2000
and RP2000 series fittings. Consult factory for
drawings and specifications.**

NAVSEA HANDBOOK S9407-AB-HBK-010	NAVSEA HANDBOOK 0967-LP-283-5010
GR2120-X-XX-EMXX-XX	GR2120-X-X-X-XXSN
GR2121-XXSM	GR2121-XXSN
GR2122-XXXSM (Style A)	GR2122-XXXSN (Style A)
GR2122-XXXESM (Style B)	GR2122-XXXESN (Style B)
GR2123-X-XX-EMXX	GR2123-X-X-XXSN
GR2124-X-EMXX-XX	GR2124-X-X-XXSN
GR2125-X-EMXX-XX	GR2125-X-X-XXSN
GR2126-EMXX	GR2126-XX
GR2127-EMXX	GR2127-XX
GR2128-EMXX	GR2128-XXSM
GR2129-EMXX	GR2129-XX
RP2100-EMXX-T(S) Telescoping/Short	RP2100-GXX-T(S)
RP2110-EMXX-T(S) Telescoping/Short	RP2110-GXX-T(S)
RP2120-EMXX-T(S) Telescoping/Short	RP2120-GXX-T(S)
RP2130-EMXX	RP2130-GXX
RP2140-EMXX	RP2140-GXX
RP2141-EMXX	RP2141-GXX
RP2200-EMXX	RP2200-GXX
RP2210-EMXX	RP2210-GXX
RP2311-XX-XX-XXSM	RP2311-XX-XX-XXSN
RP2321-XX-XXSM	RP2321-XX-XXSN
RP2330-XX-XX-N (No Letter Steel) SM	RP2330-XX-XX-N (No Letter Steel) SN
RP2340-XX-XX-XXSM	RP2340-XX-XX-XXSN
RP2350-XX-XX-XX-XSM	RP2350-XX-XX-XX-XSN
RP2360-XX-XX-XXSM	RP2360-XX-XX-XXSN
RP2400-XX-XXSM	RP2400-XX-XXSN
RP2411-XX-XXSM	RP2411-XX-XXSN
RP2420-XX-XXSM	RP2420-XX-XXSN
RP2430-XXSM	RP2430-XXSN
RP2431-XXSM	RP2431-XXSN
RP2440-XXSM	RP2440-XXSN
RP2500-XXSM	RP2500-XXSN
RP2610-XXSM	RP2610-XXSN
RP2620-XXSM	RP2620-XXSN
SM = Electroless Nickel Plating/Mild Steel	SN = Cadmium over Electroless Nickel/Mild Steel

WHY CHOOSE GLENAIR?



Plenty of Raw Materials!



Outstanding
Customer Service!



Abundant Machining Capacity!



In-House Assembly!



Huge "Same-Day" Inventory!

Glenair®



A World of Interconnect Solutions

Glenair, Inc.

1211 Air Way • Glendale, California • 91201-2497

Telephone: 818-247-6000 • Fax: 818-500-9912 • sales@glenair.com

www.glenair.com

**Glenair Power
Products Group**
25 Village Lane
Wallingford, CT
06492

Telephone:
203-741-1115
Facsimile:
203-741-0053
sales@glenair.com

Glenair UK Ltd
40 Lower Oakham Way
Oakham Business Park
P.O. Box 37, Mansfield
Notts, NG18 5BY England

Telephone:
44-1623-638100
Facsimile:
44-1623-638111
sales@glenair.co.uk

Glenair Microway Systems
7000 North Lawndale Avenue
Lincolnwood, IL
60712

Telephone:
847-679-8833
Facsimile:
847-679-8849

Glenair Nordic AB
Gustav III : S Boulevard 46
S - 169 27 Solna
Sweden

Telephone:
46-8-50550000
Facsimile:
46-8-50550001
sales@glenair.se

Glenair Electric GmbH
Siemensstrasse 9
D-61449 Steinbach
Germany

Telephone:
49-6171-5905-0
Facsimile:
49-6171-5905-90
germany@glenair.com

Glenair Iberica
C/ La Vega, 16
45612 Velada
Spain

Telephone:
34-925-89-29-88
Facsimile:
34-925-89-29-87
sales@glenair.es

Glenair Italia S.R.L.
Via Santi, 1
20037 Paderno Dugnano
Milano, Italy

Telephone:
39-02-9108-2121
Facsimile:
39-02-9904-3565
sales-italia@glenair.it

Glenair France SARL
7, Avenue Parmentier
Immeuble Central Parc #2
31200 Toulouse
France

Telephone:
33-5-34-40-97-40
Facsimile:
33-5-61-47-86-10
sales@glenair.fr

X-ON Electronics

Largest Supplier of Electrical and Electronic Components

Click to view similar products for [Circular MIL Spec Tools, Hardware & Accessories](#) *category:*

Click to view products by [Glenair](#) *manufacturer:*

Other Similar products are found below :

[809-199-3](#) [001104](#) [300 04](#) [600-006-16](#) [600-079-06](#) [M10-101982-143](#) [M10-101982-163](#) [M10-101983-183](#) [M10-150912-083](#) [M10-454396-008](#) [602GB18808](#) [M225201-06](#) [M24758-20E21](#) [M2887610-BC](#) [M2887615-CD](#) [M38999/9-19B](#) [62GB-812-10](#) [630A007NF083A](#) [630B007M051A](#) [630BJ003NF032H](#) [637-149NF04B](#) [M39029/29-215](#) [650FS002NF16](#) [M81969-14-02](#) [660-008NF14S7-01](#) [660-009M22H8-03](#) [660-013NF19U6-210](#) [660-015M10S6-17](#) [660-015NF10S5-01](#) [660-015NF14R3.5-01](#) [660-023NF19H6-19](#) [660-024N09S5-104](#) [660-024NF11S12-01](#) [660-024NF11S3-01](#) [660-050XM17F4-01](#) [660-068NF25R6-30G](#) [660-070M23S8-04](#) [660-073MTCH9-20](#) [M83723/60-116RC](#) [M83723/61-18W](#) [M83723/61-218R](#) [M83723/61-224W](#) [667-224NF16](#) [M85049/118S22A](#) [M85049/126S11N](#) [M85049130-07M](#) [M85049140-09BC](#) [M85049/41-16A W/B](#) [687-697NF-1](#) [M85049/75-14-1](#) [M8504980-8](#)