

# 600NG Series

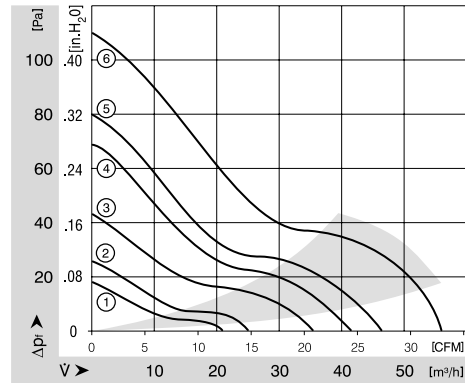
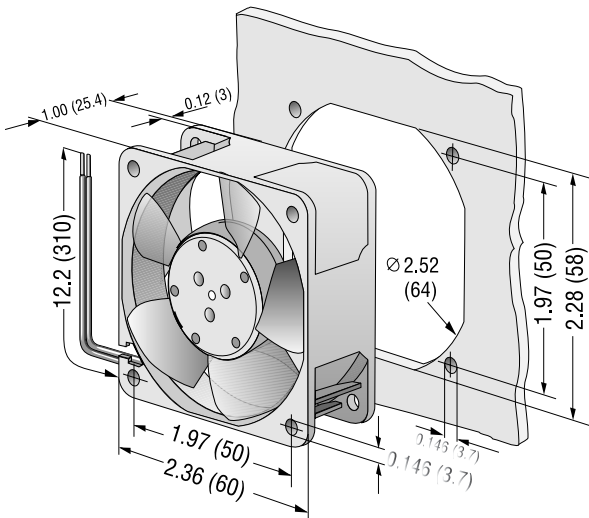
Tubeaxial

60x60x25mm



- DC fans with electronically commutated external rotor motor. Fully integrated commutation electronics.
- With electronic protection against reverse polarity, blocking and overloading.
- Mounting from either face using four 3.7 mm holes.
- Fan of fiberglass reinforced plastic. PBTP housing, PA impeller.
- Air exhaust over struts. Rotational direction CCW looking at rotor.
- Electrical connection via 2 leads AWG 22, TR 64. Stripped and tinned ends.
- UL, CSA, VDE approvals on some models, please contact application engineering.

Part Number	Curve	CFM @ 0	VDC	Volt. Range	Power (W)	dBA	Max Amb. Temp C	Bearing Type	Features	Wgt. (lbs)
612NGLE	1	12.4	12	8 to 15	0.6	16	85	Sintec	Leads	0.19
612NGMLE	2	14.7	12	8 to 15	0.7	19	85	Sintec	Leads	0.19
612NGME	3	20.6	12	8 to 15	1.2	28	75	Sintec	Leads	0.19
612NGN	4	24.7	12	8 to 15	2.1	35	70	Sintec	Leads	0.19
612NGH	5	27.1	12	8 to 15	2.6	38	70	Sintec	Leads	0.19
612NGHH	6	33.0	12	8 to 13.2	3.8	43	70	Sintec	Leads	0.19
614NGL	1	12.4	24	18 to 28	1.0	16	70	Sintec	Leads	0.19
614NGML	2	14.7	24	18 to 28	1.2	19	70	Sintec	Leads	0.19
614NGM	3	20.6	24	18 to 28	1.7	28	70	Sintec	Leads	0.19
614NGN	4	24.7	24	18 to 28	2.1	35	70	Sintec	Leads	0.19
614NGH	5	27.1	24	18 to 26	2.6	38	70	Sintec	Leads	0.19
614NGHH	6	33.0	24	18 to 26	3.8	43	70	Sintec	Leads	0.19



**ebmpapst**

e-mail: [sales@us.ebmpapst.com](mailto:sales@us.ebmpapst.com) · TEL: 860-674-1515 · FAX: 860-674-8536

ebm-papst Inc., 100 Hyde Road, Farmington, CT 06034 USA

ebm-papst Inc., 2006 © ebm-papst Inc. reserves the right to change any specifications or data without notice

## X-ON Electronics

Largest Supplier of Electrical and Electronic Components

*Click to view similar products for [ebm papst](#) manufacturer:*

Other Similar products are found below :

[3312M](#) [4114N](#) [W1G200-EA95-68](#) [DV6248U](#) [5930-507](#) [6224NT](#) [M4Q045-CF01-75](#) [M4Q045-DA05-01](#) [D2E133-DM27-D8](#) [8314S](#)  
[G2E108-AG63-01](#) [G2E140-AL30-48](#) [A2D200-AA02-16](#) [A2E200-AF02-02](#) [A4D350-AN08-02](#) [A4E300-AS72-02](#) [A4E330-AP18-13](#)  
[R1G225-AG15-11](#) [R2D220-AA24-13](#) [R2D270-AB12-09](#) [R2E220-AB08-12](#) [R3G310-AL09-30](#) [R4E225-AT15-10](#) [REF100-11/14](#) [RG90-](#)  
[18/14N](#) [9496-2-4039-1](#) [A2D240-AA02-10](#) [A2D250-AA06-52](#) [A2E300-AP02-01](#) [G2E120-FV56-16](#) [G2E160-AY47-57](#) [QR06A-2/106349](#)  
[R1G250-AQ21-52](#) [R2E180CH0312](#) [R2E225-BD92-36](#) [R3G175-AF25-02](#) [LZ27](#) [REF100-11/12](#) [RG125-19/12N/2](#) [RH31M-6/104372](#)  
[RH56M-6/204689](#) [RLF100-11/18](#) [D1G133-DC17-52](#) [D2E097-BI56-48](#) [55416.30320](#) [3314U](#) [K3G097-AK34-43](#) [D4E180-BA02-02](#)  
[4112NHH](#) [412FH-132](#)