

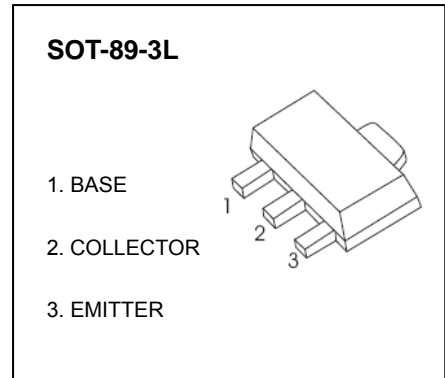


# SOT-89-3L Plastic-Encapsulate Transistors

**KTD1898** TRANSISTOR (NPN)

**FEATURES**

- Small Flat Package
- General Purpose Application



**MAXIMUM RATINGS (T<sub>a</sub>=25°C unless otherwise noted)**

| Symbol           | Parameter                                   | Value    | Unit |
|------------------|---|----------|------|
| V <sub>CB0</sub> | Collector-Base Voltage                      | 100      | V    |
| V <sub>CEO</sub> | Collector-Emitter Voltage                   | 80       | V    |
| V <sub>EBO</sub> | Emitter-Base Voltage                        | 5        | V    |
| I <sub>C</sub>   | Collector Current                           | 1        | A    |
| P <sub>C</sub>   | Collector Power Dissipation                 | 500      | mW   |
| R <sub>θJA</sub> | Thermal Resistance From Junction To Ambient | 250      | °C/W |
| T <sub>j</sub>   | Junction Temperature                        | 150      | °C   |
| T <sub>stg</sub> | Storage Temperature                         | -55~+150 | °C   |

**ELECTRICAL CHARACTERISTICS (T<sub>a</sub>=25°C unless otherwise specified)**

| Parameter                            | Symbol               | Test conditions                                      | Min | Typ | Max | Unit |
|--------------------------------------|----------------------|--|-----|-----|-----|------|
| Collector-base breakdown voltage     | V <sub>(BR)CBO</sub> | I <sub>C</sub> =0.1mA, I <sub>E</sub> =0             | 100 |     |     | V    |
| Collector-emitter breakdown voltage  | V <sub>(BR)CEO</sub> | I <sub>C</sub> =1mA, I <sub>B</sub> =0               | 80  |     |     | V    |
| Emitter-base breakdown voltage       | V <sub>(BR)EBO</sub> | I <sub>E</sub> =0.1mA, I <sub>C</sub> =0             | 5   |     |     | V    |
| Collector cut-off current            | I <sub>CBO</sub>     | V <sub>CB</sub> =80V, I <sub>E</sub> =0              |     |     | 1   | μA   |
| Emitter cut-off current              | I <sub>EBO</sub>     | V <sub>EB</sub> =4V, I <sub>C</sub> =0               |     |     | 1   | μA   |
| DC current gain                      | h <sub>FE</sub>      | V <sub>CE</sub> =3V, I <sub>C</sub> =500mA           | 70  |     | 400 |      |
| Collector-emitter saturation voltage | V <sub>CE(sat)</sub> | I <sub>C</sub> =500mA, I <sub>B</sub> =20mA          |     |     | 0.4 | V    |
| Collector output capacitance         | C <sub>ob</sub>      | V <sub>CB</sub> =10V, I <sub>E</sub> =0, f=1MHz      |     | 20  |     | pF   |
| Transition frequency                 | f <sub>T</sub>       | V <sub>CE</sub> =10V, I <sub>C</sub> =50mA, f=100MHz |     | 100 |     | MHz  |

**CLASSIFICATION OF h<sub>FE</sub>**

| RANK    | O        | Y         | GR        |
|---------|----------|-----------|-----------|
| RANGE   | 70 - 140 | 120 - 240 | 200 - 400 |
| MARKING | ZO       | ZY        | ZG        |

## X-ON Electronics

Largest Supplier of Electrical and Electronic Components

*Click to view similar products for [Bipolar Transistors - BJT category](#):*

*Click to view products by [Changjiang manufacturer](#):*

Other Similar products are found below :

[619691C](#) [MCH4017-TL-H](#) [MJ15024/WS](#) [MJ15025/WS](#) [BC546/116](#) [BC556/FSC](#) [BC557/116](#) [BSW67A](#) [HN7G01FU-A\(T5L,F,T](#)  
[NJVMJD148T4G](#) [NSVMMBT6520LT1G](#) [NTE187A](#) [NTE195A](#) [NTE2302](#) [NTE2330](#) [NTE2353](#) [NTE316](#) [IMX9T110](#) [NTE63](#) [NTE65](#)  
[C4460](#) [SBC846BLT3G](#) [2SA1419T-TD-H](#) [2SA1721-O\(TE85L,F\)](#) [2SA1727TLP](#) [2SA2126-E](#) [2SB1202T-TL-E](#) [2SB1204S-TL-E](#) [2SC5488A-](#)  
[TL-H](#) [2SD2150T100R](#) [SP000011176](#) [FMC5AT148](#) [2N2369ADCSM](#) [2SB1202S-TL-E](#) [2SC2412KT146S](#) [2SC4618TLN](#) [2SC5490A-TL-H](#)  
[2SD1816S-TL-E](#) [2SD1816T-TL-E](#) [CMXT2207 TR](#) [CPH6501-TL-E](#) [MCH4021-TL-E](#) [BC557B](#) [TTC012\(Q\)](#) [BULD128DT4](#) [JANTX2N3810](#)  
[Jantx2N5416](#) [US6T6TR](#) [KSF350](#) [068071B](#)