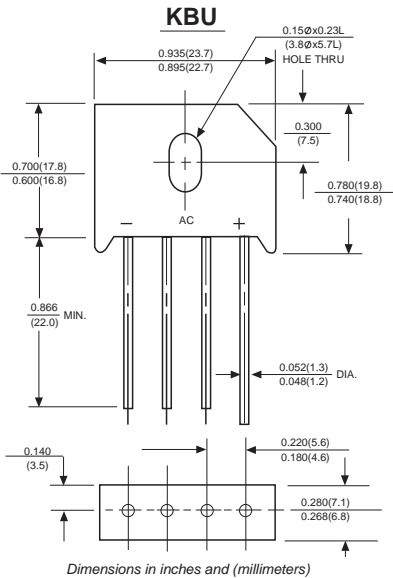




# KBU25005 THRU KBU2510

## SILICON BRIDGE RECTIFIERS

Reverse Voltage - 50 to 1000 Volts Forward Current -25.0 Amperes



### FEATURES

- ◆ The plastic package carries Underwriters Laboratory Flammability Classification 94V-0
- ◆ Ideal for printed circuit boards
- ◆ Low reverse leakage
- ◆ High forward surge current capability
- ◆ High temperature soldering guaranteed:  
260°C/10 seconds, 0.375" (9.5mm) lead length, 5 lbs. (2.3kg) tension

### MECHANICAL DATA

**Case:** Molded plastic body

**Terminals:** Plated leads solderable per MIL-STD-750, Method 2026

**Polarity:** Polarity symbols marked on case

**Mounting:** Thru hole for #6 serew, 5in.-lbs. torque max.

**Weight:** 0.27 ounce, 7.59 grams

### MAXIMUM RATINGS AND ELECTRICAL CHARACTERISTICS

Ratings at 25°C ambient temperature unless otherwise specified.

Single phase half-wave 60Hz, resistive or inductive load, for capacitive load current derate by 20%.

MDD Catalog Number	SYMBOLS	KBU 25005	KBU 2501	KBU 2502	KBU 2504	KBU 2506	KBU 2508	KBU 2510	UNITS
Maximum repetitive peak reverse voltage	$V_{RRM}$	50	100	200	400	600	800	1000	VOLTS
Maximum RMS voltage	$V_{RMS}$	35	70	140	280	420	560	700	VOLTS
Maximum DC blocking voltage	$V_{DC}$	50	100	200	400	600	800	1000	VOLTS
Maximum Average Forward (with heatsink Note 1) Rectified Current @ $T_c=100^\circ\text{C}$ (without heatsink)	$I_{(AV)}$	25.0							Amps
Peak forward surge current 8.3ms single half sine-wave superimposed on rated load (JEDEC Method)	$I_{FSM}$	400.0							Amps
Maximum instantaneous forward voltage drop per bridge element at 12.5A	$V_F$	1.1							Volts
Maximum DC reverse current at rated DC blocking voltage	$I_R$	$T_A=25^\circ\text{C}$							$\mu\text{A}$
		$T_A=125^\circ\text{C}$							mA
Operating junction temperature range	$T_J$	-55 to +150							$^\circ\text{C}$
storage temperature range	$T_{STG}$	-55 to +150							$^\circ\text{C}$

#### NOTES:

1. Device mounted on 100mm\*100mm\*1.6mm Cu plate heatsink



# RATINGS AND CHARACTERISTIC CURVES KBU25005 THRU KBU2510

FIG.1-MAXIMUM FORWARD SURGE CURRENT

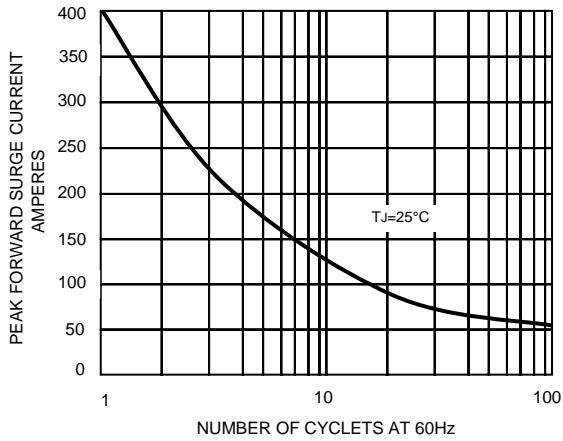


FIG. 2 - DERATING CURVE OUTPUT RECTIFIED CURRENT

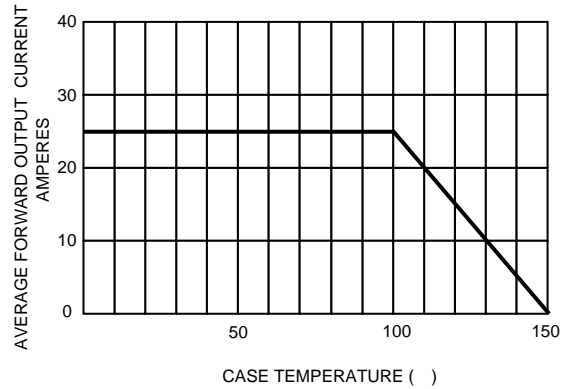


FIG.3- TYPICAL FORWARD CHARACTERISTICS

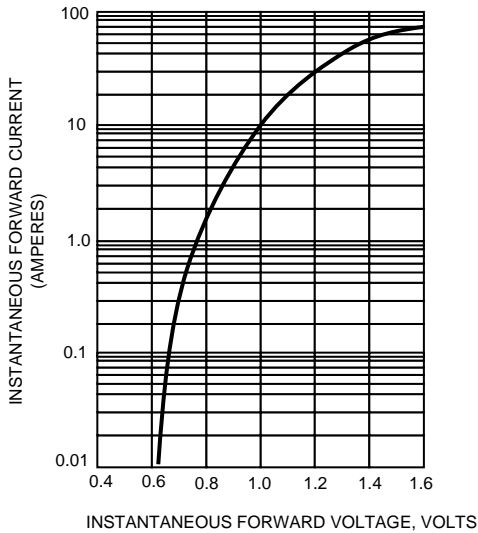
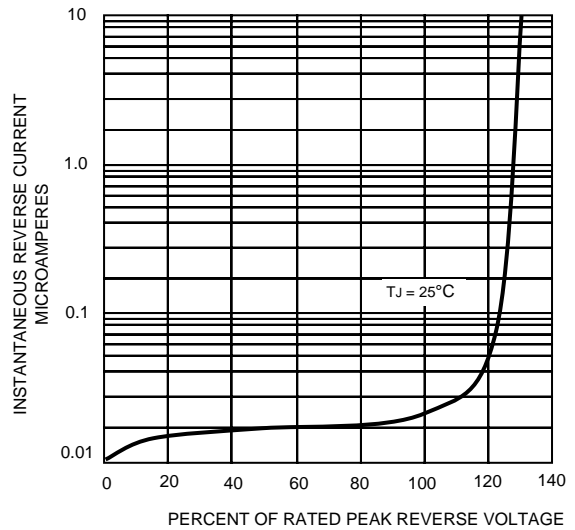


FIG.4- TYPICAL REVERSE CHARACTERISTICS



The cruve graph is for reference only, can't be the basis for judgment(Æ4" Ò™ o -5)!

# X-ON Electronics

Authorized Distributor

*Click to view similar products for [Bridge Rectifiers](#) category.*

*Click to view products by [Microdiode Electronics](#) manufacturer.*

Other Similar products are found below :

[KBP306G](#) [D15SB60](#) [PSB25T18](#) [KBPC1001WP](#) [MSD5216](#) [APT75DL120HJ](#)  
[APT60DF20HJ](#) [APT30DF100HJ](#) [DF201G](#) [DF01S](#) [DBI2516A](#) [DB3504](#)  
[DB2506](#) [DB2501](#) [DB25005](#) [DB1510](#) [PSDH3908](#) [PSD8218](#) [PSD6812](#)  
[PSD4108](#) [PSD36T16](#) [PSD2812](#) [PSD25T16](#) [PSD25T12](#) [PSD10814](#)