



# 2SC5353B

## NPN SILICON TRANSISTOR

### HIGH VOLTAGE NPN TRANSISTOR

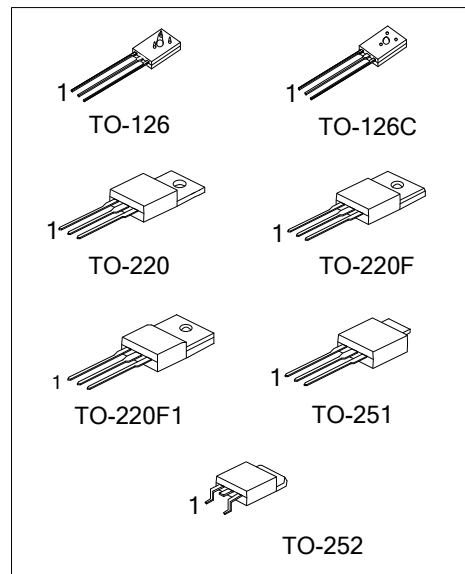
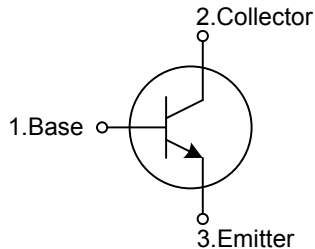
■ DESCRIPTION

Switching Regulator and High Voltage Switching Applications  
High-Speed DC-DC Converter Applications.

■ FEATURES

- \* Excellent switching times:  $t_R = 0.7\mu s_{(MAX)}$ ,  $t_F = 0.5\mu s_{(MAX)}$
- \* High collectors breakdown voltage:  $V_{CEO} = 750V$

■ SYMBOL



■ ORDERING INFORMATION

Ordering Number		Package	Pin Assignment			Packing
Lead Free	Halogen Free		1	2	3	
2SC5353BL-T60-K	2SC5353BG-T60-K	TO-126	B	C	E	Bulk
2SC5353BL-T6C-K	2SC5353BG-T6C-K	TO-126C	B	C	E	Bulk
2SC5353BL-TA3-T	2SC5353BG-TA3-T	TO-220	B	C	E	Tube
2SC5353BL-TF3-T	2SC5353BG-TF3-T	TO-220F	B	C	E	Tube
2SC5353BL-TF1-T	2SC5353BG-TF1-T	TO-220F1	B	C	E	Tube
2SC5353BL-TM3-T	2SC5353BG-TM3-T	TO-251	B	C	E	Tube
2SC5353BL-TN3-R	2SC5353BG-TN3-R	TO-252	B	C	E	Tape Reel

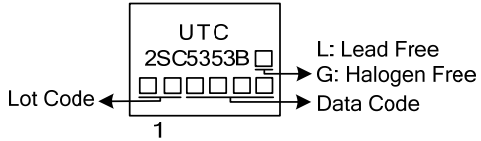
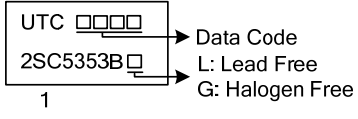
Note: Pin Assignment: E: Emitter B: Base C: Collector

<p>2SC5353BL-T60-T</p> <p>(1)Packing Type (2)Package Type (3)Green Package</p>	<p>(1) K: Bulk, T: Tube, R: Tape Reel (2) T60: TO-126, T6C: TO-126C, TA3: TO-220, TF3: TO-220F, TM3: TO-251, TN3: TO-252 TF1: TO-220F1 (3) L: Lead Free, G: Halogen Free and Lead Free</p>
--	--

# 2SC5353B

## NPN SILICON TRANSISTOR

### MARKING

TO-220 / TO-220F TO-220F1 / TO-251 / TO-252	TO-126 / TO-126C
	

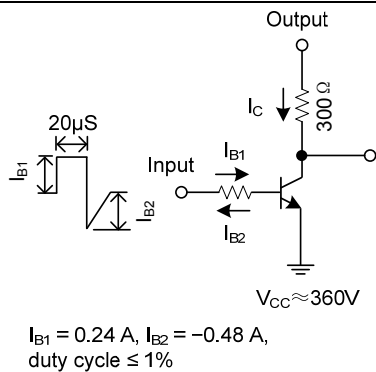
■ ABSOLUTE MAXIMUM RATINGS ( $T_C = 25^\circ\text{C}$  unless otherwise specified)

PARAMETER		SYMBOL	RATINGS	UNIT
Collector-Base Voltage		$V_{CBO}$	900	V
Collector-Emitter Voltage		$V_{CEO}$	750	V
Emitter-Base Voltage		$V_{EBO}$	7	V
Collector Current	DC	$I_C$	3	A
	Pulse	$I_{CP}$	5	A
Base Current		$I_B$	1	A
Power Dissipation	TO-126/TO-126C	$P_D$	20	W
	TO-220F/TO-220F1			
	TO-220		25	W
	TO-251/TO-252		22	W
Junction Temperature		$T_J$	+150	$^\circ\text{C}$
Storage Temperature		$T_{STG}$	-40 ~ +150	$^\circ\text{C}$

Note: Absolute maximum ratings are those values beyond which the device could be permanently damaged. Absolute maximum ratings are stress ratings only and functional device operation is not implied.

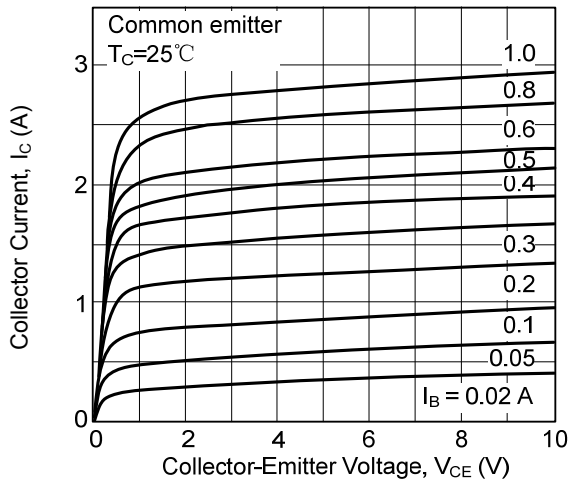
■ ELECTRICAL CHARACTERISTICS ( $T_C = 25^\circ\text{C}$  unless otherwise specified)

PARAMETER	SYMBOL	TEST CONDITIONS	MIN	TYP	MAX	UNIT
Collector-Base Breakdown Voltage	$BV_{CBO}$	$I_C=1\text{ mA}, I_E=0$	900			V
Collector-Emitter Breakdown Voltage	$BV_{CEO}$	$I_C=10\text{ mA}, I_B=0$	750			V
Collector Cut-off Current	$I_{CBO}$	$V_{CB}=720\text{V}, I_E=0$			100	$\mu\text{A}$
Emitter Cut-off Current	$I_{EBO}$	$V_{EB}=7\text{V}, I_C=0$			10	$\mu\text{A}$
DC Current Gain	$h_{FE1}$	$V_{CE}=5\text{ V}, I_C=1\text{ mA}$	10			
	$h_{FE2}$	$V_{CE}=5\text{ V}, I_C=0.15\text{ A}$	15			
Collector-Emitter Saturation Voltage	$V_{CE(SAT)}$	$I_C=1.2\text{ A}, I_B=0.24\text{ A}$			1.0	V
Base-Emitter Saturation Voltage	$V_{BE(SAT)}$	$I_C=1.2\text{ A}, I_B=0.24\text{ A}$			1.3	V
Switching Time	Rise Time	$t_R$			0.7	$\mu\text{S}$
	Storage Time	$t_{STG}$			4.0	$\mu\text{S}$
	Fall Time	$t_F$			0.5	$\mu\text{S}$

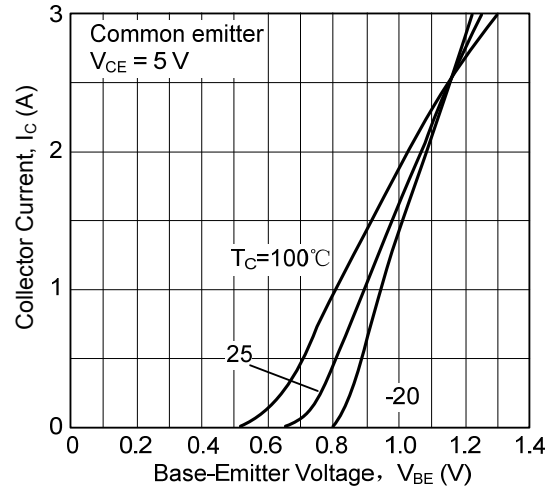


## TYPICAL CHARACTERISTICS

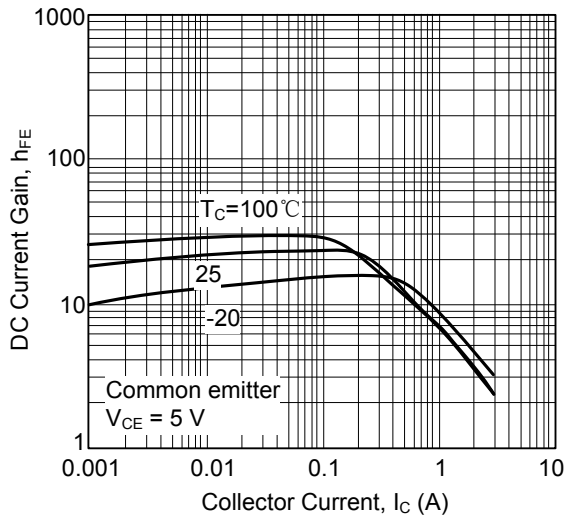
Collector Current vs. Collector-Emitter Voltage



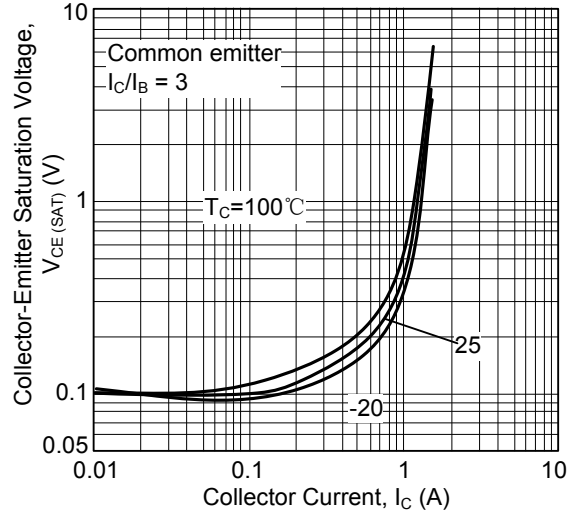
Collector Current vs. Base-Emitter Voltage



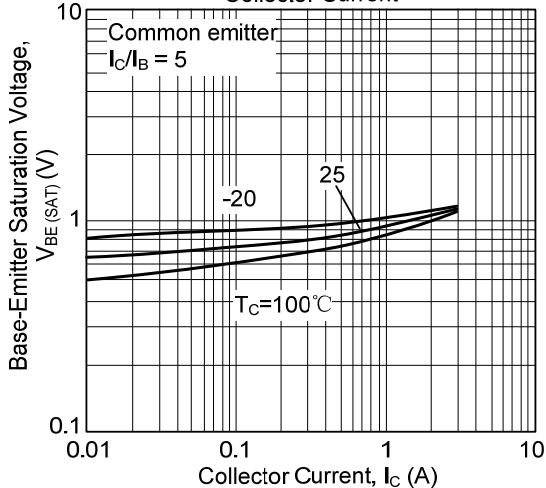
DC Current Gain vs. Collector Current



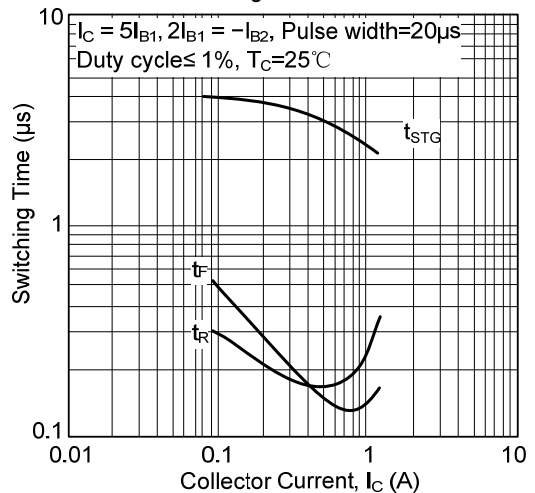
Collector-Emitter Saturation Voltage vs. Collector Current



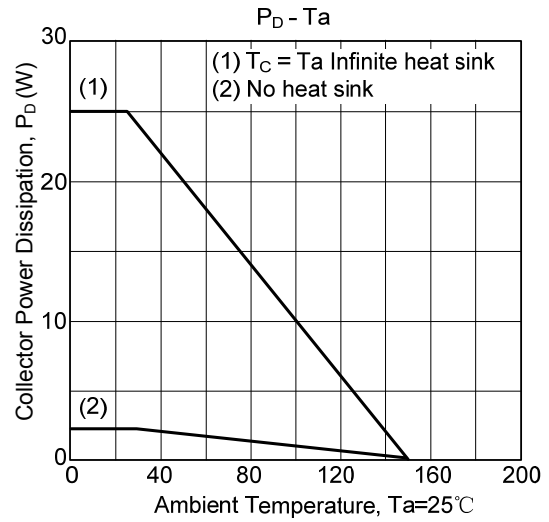
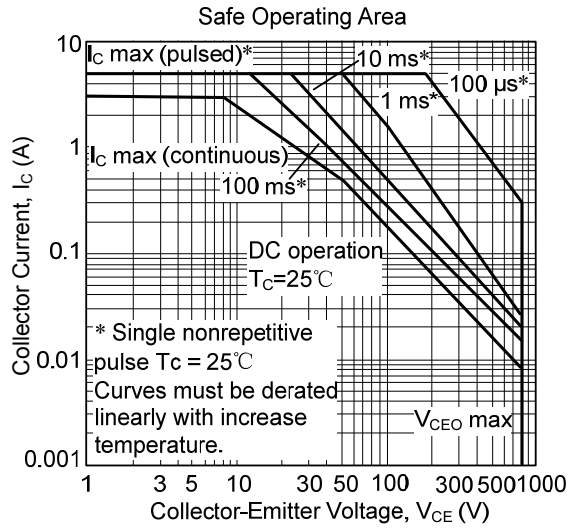
Base-Emitter Saturation Voltage vs. Collector Current



Switching Characteristics



■ TYPICAL CHARACTERISTICS(Cont.)



UTC assumes no responsibility for equipment failures that result from using products at values that exceed, even momentarily, rated values (such as maximum ratings, operating condition ranges, or other parameters) listed in products specifications of any and all UTC products described or contained herein. UTC products are not designed for use in life support appliances, devices or systems where malfunction of these products can be reasonably expected to result in personal injury. Reproduction in whole or in part is prohibited without the prior written consent of the copyright owner. The information presented in this document does not form part of any quotation or contract, is believed to be accurate and reliable and may be changed without notice.

## X-ON Electronics

Largest Supplier of Electrical and Electronic Components

*Click to view similar products for [Bipolar Transistors - BJT category](#):*

*Click to view products by [Unisonic manufacturer](#):*

Other Similar products are found below :

[619691C](#) [MCH4017-TL-H](#) [MJ15024/WS](#) [MJ15025/WS](#) [BC546/116](#) [BC556/FSC](#) [BC557/116](#) [BSW67A](#) [HN7G01FU-A\(T5L,F,T](#)  
[NJVMJD148T4G](#) [NSVMMBT6520LT1G](#) [NTE187A](#) [NTE195A](#) [NTE2302](#) [NTE2330](#) [NTE2353](#) [NTE316](#) [IMX9T110](#) [NTE63](#) [NTE65](#)  
[C4460](#) [SBC846BLT3G](#) [2SA1419T-TD-H](#) [2SA1721-O\(TE85L,F\)](#) [2SA1727TLP](#) [2SA2126-E](#) [2SB1202T-TL-E](#) [2SB1204S-TL-E](#) [2SC5488A-](#)  
[TL-H](#) [2SD2150T100R](#) [SP000011176](#) [FMC5AT148](#) [2N2369ADCSM](#) [2SB1202S-TL-E](#) [2SC2412KT146S](#) [2SC4618TLN](#) [2SC5490A-TL-H](#)  
[2SD1816S-TL-E](#) [2SD1816T-TL-E](#) [CMXT2207 TR](#) [CPH6501-TL-E](#) [MCH4021-TL-E](#) [BC557B](#) [TTC012\(Q\)](#) [BULD128DT4](#) [JANTX2N3810](#)  
[Jantx2N5416](#) [US6T6TR](#) [KSF350](#) [068071B](#)