

GENERATION DESCRIPTION

The PT1301 is a compact, high efficiency, and low voltage step-up DC/DC converter with an Adaptive Current Mode PWM control loop. It comprises of an error amplifier, a ramp generator, a PWM comparator, a switch pass element and the driver. It provides stable and high efficient operation over a wide range of load currents without external compensation. The below 1V start-up input voltage makes PT1301 suitable for single battery cell applications. The built-in power transistor is able to provide up to 300mA output current while working under Li-Battery Supply. Besides, it provides extra pin to drive external power devices (NMOS or NPN) in case higher output current is needed. The output voltage is set with two external resistors. The 500KHz high switching rate reduces the size of external components. Besides, the 14μA low quiescent current together with high efficiency maintains long battery lifetime.

FEATURES

- Low Quiescent (Switch-off) Supply Current: 14μA
- Low Start-up Input Voltage: typical 0.8V
- High Supply Capability: Deliver 3.3V 100mA with 1 Alkaline Cell; 5V 300mA with 1 Li-Cell
- Zero Shutdown Mode Supply Current
- High efficiency: 90%
- Fixed switching frequency: 500KHz
- Options for internal or external power switches
- Package type: SOT-23-6, SOT-89-5, MSOP8

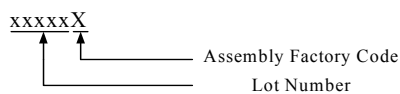
APPLICATIONS

- MP3, PDA, Electronic
- Dictionary, DSC, LCD, RF-Tag,
- Portable Devices, Wireless Devices, etc.

ORDERING INFORMATION

PACKAGE	TEMPERATURE RANGE	ORDERING PART NUMBER	TRANSPORT MEDIA	MARKING
SOT-23-6	-40 °C 到 85 °C	PT1301D23F	Tape and Reel 3000units	1301
SOT-89-5	-40 °C 到 85 °C	PT1301E89E	Tape and Reel 1000 units	PT1301 xxxxxX
MSOP-8	-40 °C 到 85 °C	PT1301EMSH	Tape and Reel 3000units	PT1301 xxxxxX

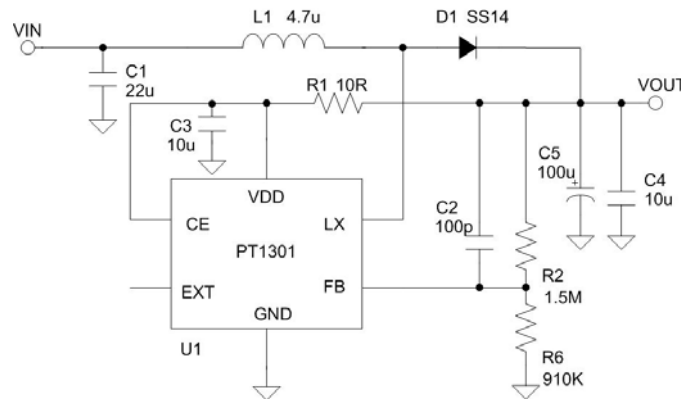
Note:



TYPICAL APPLICATION CIRCUITS

(1) Typical Application

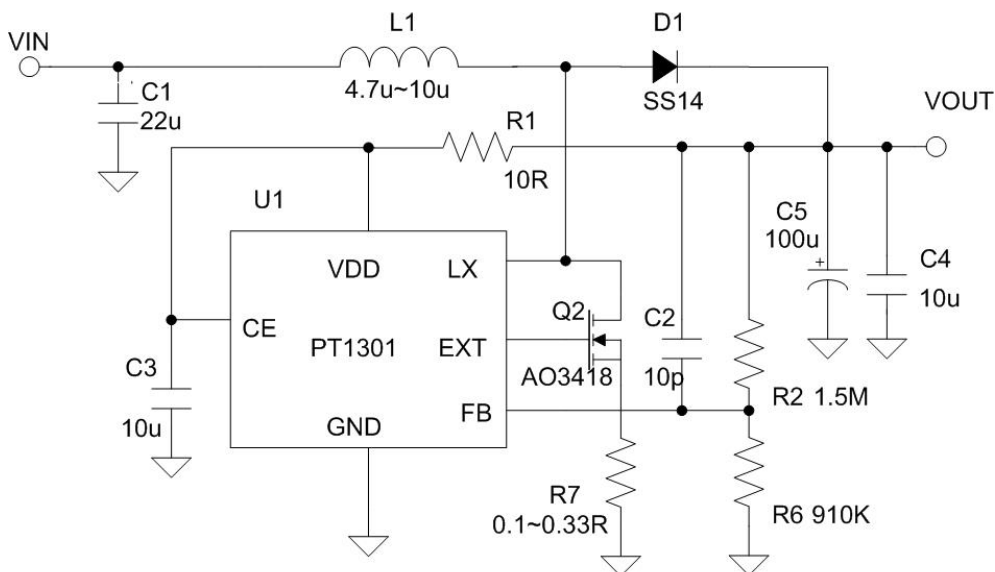
1 Alkaline Cell to 3.3V, 100mA Output Current, typically for MP3 Application.



PT1301 Typical Application
Note: C2 for better Stability

(2) Extending Output Current

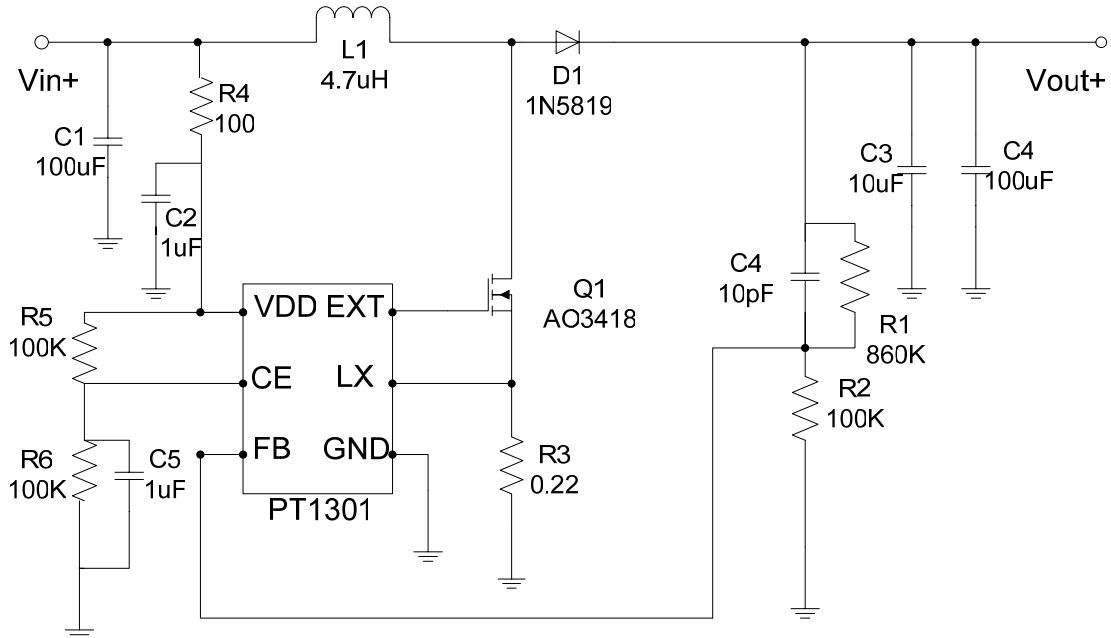
1 Alkaline Cell to 3.3V, 250mA Output Current



Extending Output Current
Note: C2 for better Stability

(3) High Output Voltage, Large Output Current

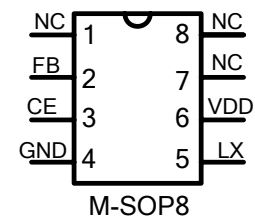
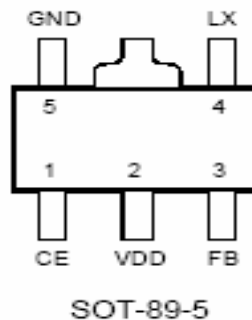
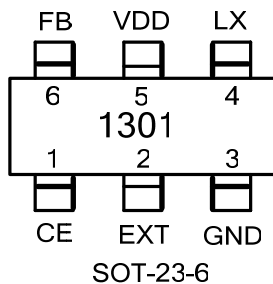
5V to 12V, 300mA Output Current



PT1301 High V Large I Output

Note: Cc for better Stability

PIN ASSIGNMENT



PIN DESCRIPTION

PIN No			SYMBOL	DESCRIPTION
SOT-23-6	SOT-89-5	MSOP-8		
1	1	3	CE	Enable pin. PT1301 Shut-down when CE is low
2			EXT	Output pin for driving external power transistor
3	5	4	GND	Ground
4	4	5	LX	Output for internal power switch
5	2	6	VDD	Power Supply
6	3	2	FB	Feed back input
		1, 7, 8	NC	No connection

ABSOLUTE MAXIMUM RATINGS (Note 1)

SYMBOL	ITEM	RATING	UNIT
V _{DD}	Supply Voltage	-0.3~7.0V	V
V _{LX}	LX pin Switch Voltage	-0.3~7.0V	V
V _{IO}	Voltage on other I/O pins	-0.3V to (VDD+0.3V)	
I _{OUT}	LX pin Output Current	2.5	A
I _{EXT}	EXT pin Drive Current	200	mA
PTR1	Package Thermal Resistance SOT-23-6, θ_{JC}	145	W/°C
PTR2	Package Thermal Resistance SOT-89-5, θ_{JC}	45	W/°C
T _{OPT}	Operating Temperature Range	-40~125	°C
T _{STG}	Storage Temperature Range	-65~150	°C
T _{SOLDER}	Lead Temperature (Soldering)	260°C, 10s	

Note1: Absolute Maximum Ratings are threshold limit values that must not be exceeded even for an instant under any condition. Moreover, such values for any two items must not be reached simultaneously. Operation above these absolute maximum ratings may cause degradation or permanent damage to the device. These are stress ratings only and do not necessarily imply functional operation below these limits.

ELECTRICAL CHARACTERISTICS (Note 2,3,4)

(V_{IN}=1.5V, VDD=3.3V, load current=0, TA =25°C, unless otherwise specified.)

SYMBOL	ITEM	TEST CONDITION	MIN	TYP	MAX	UNIT
V _{ST}	Startup Voltage	IL = 1mA	--	0.80	1.05	V
V _{DD}	Operating VDD Range	VDD pin Voltage	2	--	6	V
I _{OFF}	Shutdown Current I (V _{IN})	CE Pin = 0V, VIN = 4.5V	--	0.01	1	μA
I _{SWITCH OFF}	Switch-Off Current I(V _{DD})	VIN = 6V	--	14	25	μA
I _{SWITCH}	Continuous Switching Current	VIN = CE= 3.3V, VFB = GND	0.22	0.24	0.7	mA
I _{NO LOAD}	No Load Current I(V _{IN})	VIN = 1.5V, VOUT = 3.3V	--	56	--	μA
V _{REF}	Feedback Reference Voltage	Close loop, VDD = 3.3V	1.225	1.25	1.275	V
F _s	Switching Frequency	VDD = 3.3V	400	500	600	KHz
D _{MAX}	Maximum Duty	VDD = 3.3V	85	94	--	%
R _{ONLX}	On Resistance, LX to GND	VDD = 3.3V	--	0.3	1.1	Ω
I _{LIMIT}	Current Limit	VDD = 3.3V	1	1.5	2	A
R _{ONEXTP}	On Resistance, EXT to VDD	VDD = 3.3V	--	4.4	8.5	Ω
R _{ONEXTN}	On Resistance, EXT to GND	VDD = 3.3V	--	2.45	8.5	Ω
ΔV _{LINE}	Line Regulation	VIN = 3.5 ~ 6V, IL = 1mA	--	1.25	5	mV/V
ΔV _{LOAD}	Load Regulation	VIN = 2.5V, IL = 1 ~ 100mA	--	0.14	--	mV/mA

High Efficiency Low Voltage Step-up DC/DC Converter

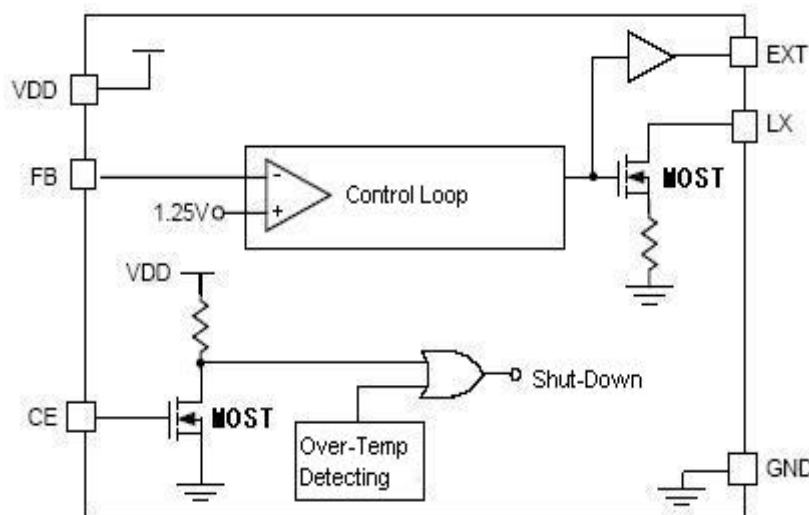
ELECTRICAL CHARACTERISTICS (Continued) (Note 2,3,4)

SYMBOL	ITEM	TEST CONDITION	MIN	TYP	MAX	UNIT
VCE	CE trigger Level	VDD = 3.3V	0.4	0.8	1.2	V
TS	Vout Temperature Coefficient			50		ppm/°C
ΔTSD	Thermal Shutdown Hysteresis		--	10	--	°C

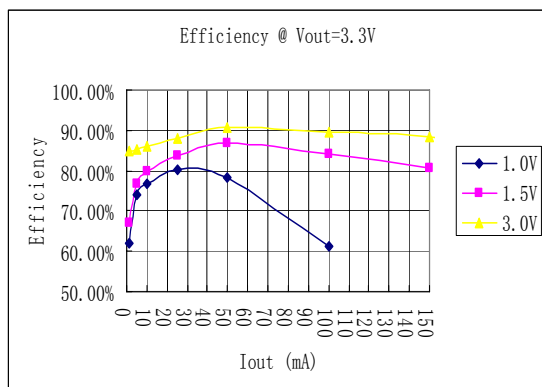
Note 2: Electrical Characteristics state DC and AC electrical specifications under particular test conditions which guarantee specific performance limits. This assumes that the device is within the recommended operating Range. Specifications are not guaranteed for parameters where no limit is given, however, the typical value is a good indication of device performance.

Note 3: Typical values are measured at 25°C and represent the parametric norm.

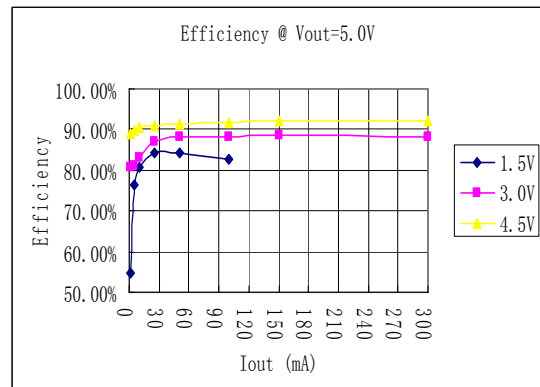
Note 4: Datasheet min/max specification limits are guaranteed by design, test, or statistical analysis.

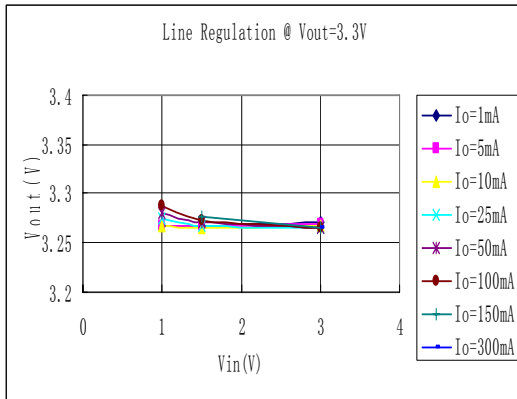
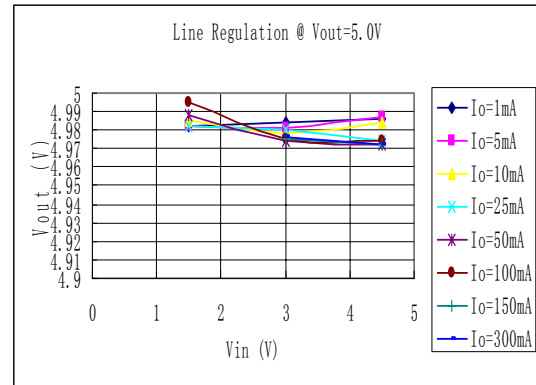
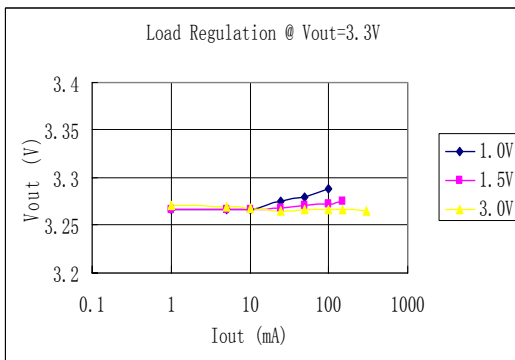
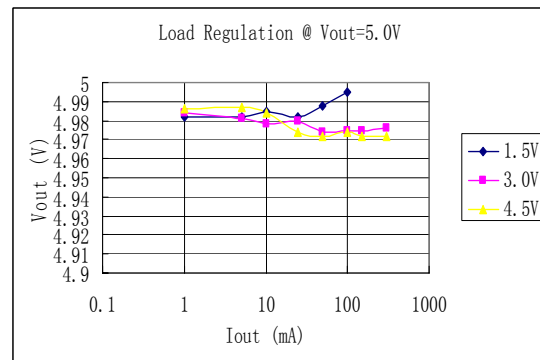
SIMPLIFIED BLOCK DIAGRAM

TYPICAL OPERATING CHARACTERISTICS
(1) Efficiency

(1.1) Vout=3.3V



(1.2) Vout=5.0V



(2) Line Regulation
(2.1) Vout=3.3V

(2.2) Vout=5.0V

(3) Load Regulation
(3.1) Vout=3.3V

(3.2) Vout=5.0V

APPLICATION INFORMATION
1) Output Voltage Setting

Referring to Typical Application Circuit 1, the output voltage of switching regulator (Vout) is set with following equation:

$$V_{out} = (1 + R1/R2) * V_{fb}$$

2) Feedback Loop Design

Referring to Typical Application Circuit 1 again, the selection of R1 and R2 is a trade-off between quiescent current consumption and interference immunity besides abiding by the above equation.

- Higher R reduces quiescent current ($I = 1.25V/R2$)
- Lower R gives better interference immunity, and is less sensitive to interference, layout parasitic, FB node leakage, and improper probing to FB pin.

Hence for applications without standby or suspend modes lower R1 and R2 values are preferred, while for applications concerning the current

consumption in standby or suspend modes, higher values of R1 and R2 are needed. Such high impedance feedback loop is sensitive to any interference, which requires careful PCB layout and avoid any interference, especially to FB pin. To improve the system stability, a proper value capacitor between FB pin and Vout is suggested. An empirical suggestion is around 100pF for MΩ feedback resistors and 10nF~0.1μF for lower R values.

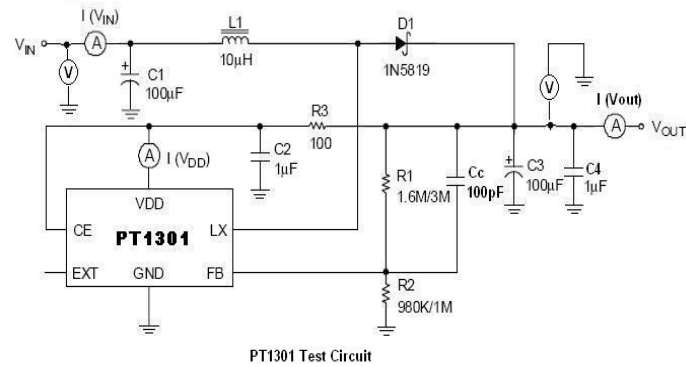
3) PCB Layout Guide

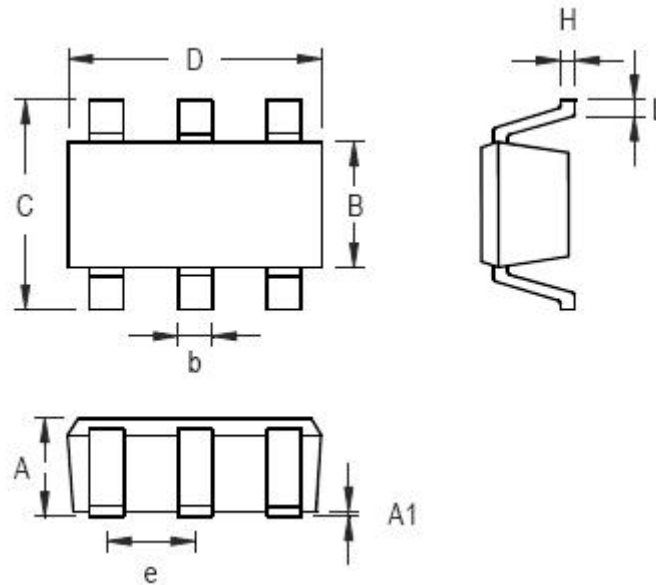
PCB Layout shall follow these guidelines for better system stability:

- A full GND plane without any gap break.
- VDD to GND bypass Cap – The 1μF MLCC noise bypass Cap between pin 5 and pin 3 shall have short and wide connections.
- Vin to GND bypass Cap – Add a Cap close to the inductor when Vin is not an idea voltage source.

- Minimize the FB node copper area and keep it far away from noise sources.
- Minimize the parasitic capacitance connected to LX and EXT nodes to reduce the switch loss.

TEST CIRCUITS

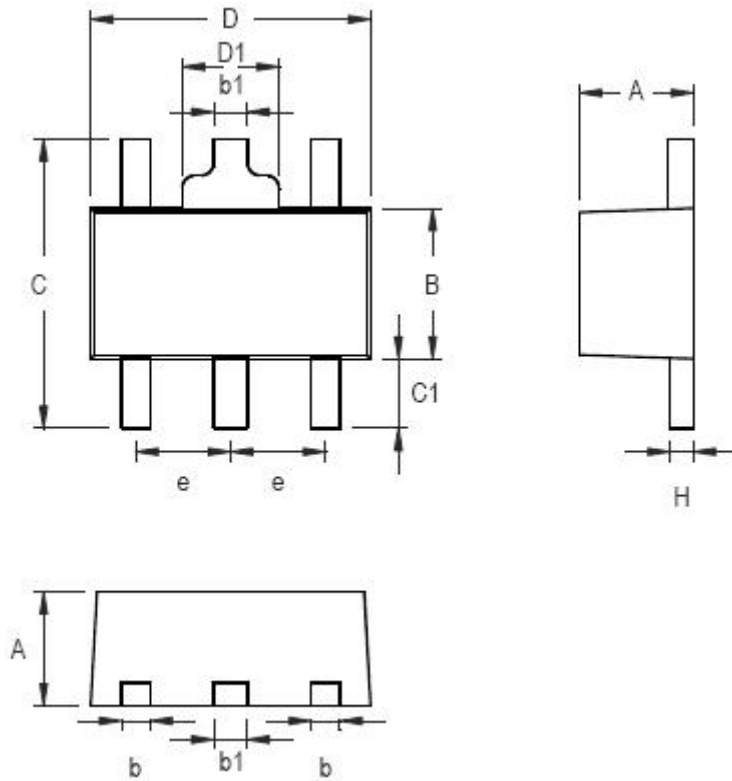


PACKAGE INFORMATION
(1) SOT-23-6


SYMBOL	DIMENSION (in mm)		DIMENSION (in Inch)	
	MIN	MAX	MIN	MAX
A	0.787	1.450	0.031	0.057
A1		0.152		0.006
B	1.397	1.803	0.055	0.071
b	0.250	0.559	0.010	0.022
C	2.591	2.997	0.102	0.118
D	2.692	3.099	0.106	0.122
e	0.838	1.041	0.033	0.041
H	0.080	0.254	0.003	0.010
L	0.300	0.610	0.012	0.024

PACKAGE INFORMATION

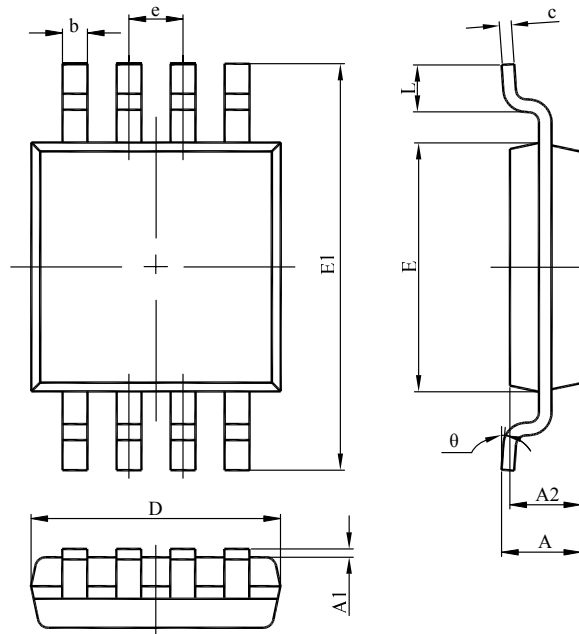
(2) SOT-89-5



SYMBOL	DIMENSION (in mm)		DIMENSION(in Inch)	
	MIN	MAX	MIN	MAX
A	1.400	1.600	0.055	0.063
b	0.460	0.520	0.014	0.020
B	2.400	2.600	0.094	0.102
b1	0.406	0.533	0.016	0.021
C		4.250		0.167
C1	0.800		0.031	
D	4.400	4.600	0.173	0.181
D1		1.700		0.067
e	1.400	1.600	0.055	0.063
H	0.380	0.430	0.014	0.017

PACKAGE INFORMATION

(3) MSOP-8



Symbol	Millimeters		Inches	
	Min	Max	Min	Max
A	0.820	1.100	0.032	0.043
A1	0.020	0.150	0.001	0.006
A2	0.750	0.950	0.030	0.037
b	0.250	0.380	0.010	0.015
c	0.090	0.230	0.004	0.009
D	2.900	3.100	0.114	0.122
e	0.650(BSC)		0.026(BSC)	
E	2.900	3.100	0.114	0.122
E1	4.750	5.050	0.187	0.199
L	0.400	0.800	0.016	0.031
θ	0°	6°	0°	6°

X-ON Electronics

Largest Supplier of Electrical and Electronic Components

Click to view similar products for [Isolated DC/DC Converters](#) category:

Click to view products by [CR-PowTech](#) manufacturer:

Other Similar products are found below :

[ESM6D044440C05AAQ](#) [FMD15.24G](#) [PSL486-7LR](#) [PSR152.5-7IR](#) [Q48T30020-NBB0](#) [AVO240-48S12B-6L](#) [AVO250-48S28B-6L](#) [NAN-0505](#) [HW-L16D](#) [JAHW100Y1](#) [217-1617-001](#) [22827](#) [SPB05C-12](#) [SQ24S15033-PS0S](#) [18952](#) [19-130041](#) [CE-1003](#) [CE-1004](#) [GQ2541-7R](#) [PSE1000DCDC-12V](#) [RDS180245](#) [MAU228](#) [419-2065-201](#) [449-2075-101](#) [TME 0303S](#) [TME 0505S](#) [TME 1205S](#) [TME 1212S](#) [TME 2405S](#) [TME 2412S](#) [V300C24C150BG](#) [419-2062-200](#) [419-2063-401](#) [419-2067-101](#) [419-2067-501](#) [419-2068-001](#) [DCG40-5G](#) [DFC15U48D15](#) [449-2067-000](#) [XGS-0512](#) [XGS-1205](#) [XGS-1212](#) [XGS-2412](#) [XGS-2415](#) [XKS-1215](#) [033456](#) [NCT1000N040R050B](#) [SPB05B-15](#) [SPB05C-15](#) [TME 0509S](#)