

*Parameters Subject to Change Without Notice*

### DESCRIPTION

JW1221A is a controller for driving external NMOSFET to remove the 100/120Hz LED current ripple on AC/DC power by a capacitor between VC and GND.

The adaptive technology of JW1221A ensures minimum power dissipation on NMOSFET while removing LED current ripple.

JW1221A clamps the input voltage on VIN pin by 30V. Only one resistor is needed when the output voltage of AC/DC power is higher than the VIN clamp threshold.

JW1221A allows user to setup maximum LED current by the sensing resistor between the source of NMOSFET and ground, which protects NMOSFET from being damaged when LED short connected or hot-plug.

By sensing the drain voltage of NMOSFET via a resistor between the drain and VLMT pin, JW1221A allows user to setup the maximum cathode voltage of LED string, which could help limit the power dissipation on chip.

It is considered that LED is shorted when the cathode voltage of LED is higher than short connecting threshold and remains over 60us.

*Company's Logo is Protected, "JW" and "JOULWATT" are Registered*

*Trademarks of JoulWatt technology Inc.*

JW1221A shuts down NMOSFET when LED is shorted and recovers after 800ms.

JW1221A provides over thermal protection. When the temperature of JW1221A exceed 145°C, OTP is trigged. JW1221A releases the current ripple until the temperature decrease to 120°C.

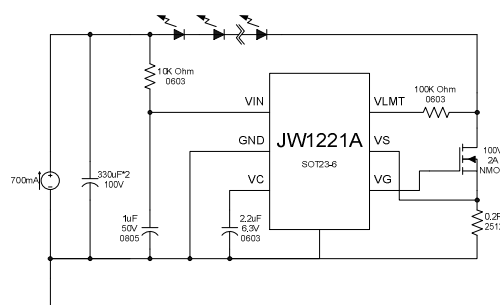
### FEATURES

- Controller for adaptive 100/120Hz current ripple remover
- Built-in zener diode for input voltage clamping
- VG output voltage high to 10V
- Programmable amplitude of LED current ripple
- Programmable maximum cathode voltage of LED
- Programmable maximum LED current
- Short protection
- Over temperature protection
- SOT23-6 Package

### APPLICATIONS

- LED lighting

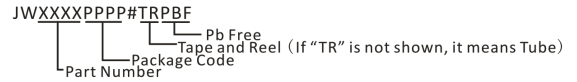
### TYPICAL APPLICATION



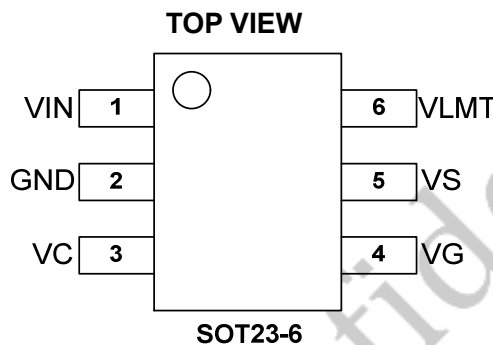
ORDER INFORMATION

LEAD FREE FINISH	TAPE AND REEL	PACKAGE	TOP MARKING
JW1221ASOTB#PBF	JW1221ASOTB#TRPBF	SOT23-6	JWC7

Note:



PIN CONFIGURATION



ABSOLUTE MAXIMUM RATING<sup>1)</sup>

VIN clamp voltage.....	31V
VG .....	20V
VS, VC, VLMT .....	-0.3V to 6V
Junction Temperature <sup>2) 3)</sup> .....	150°C
Lead Temperature .....	260°C
Storage Temperature .....	-65°C to +150°C

RECOMMENDED OPERATING CONDITIONS

Junction Temperature (T <sub>J</sub> ).....	-40°C to 125°C
---	----------------

THERMAL PERFORMANCE<sup>4)</sup>

	$\theta_{JA}$	$\theta_{JC}$
SOT23-6 .....	220	130°C/W

Note:

- 1) Exceeding these ratings may damage the device.
- 2) The JW1221A guarantees robust performance from -40°C to 150°C junction temperature. The junction temperature range specification is assured by design, characterization and correlation with statistical process controls.
- 3) The JW1221A includes thermal protection that is intended to protect the device in overload conditions. Thermal protection is active when junction temperature exceeds the maximum operating junction temperature. Continuous operation over the specified absolute maximum operating junction temperature may damage the device.
- 4) Measured on JESD51-7, 4-layer PCB.

## ELECTRICAL CHARACTERISTICS

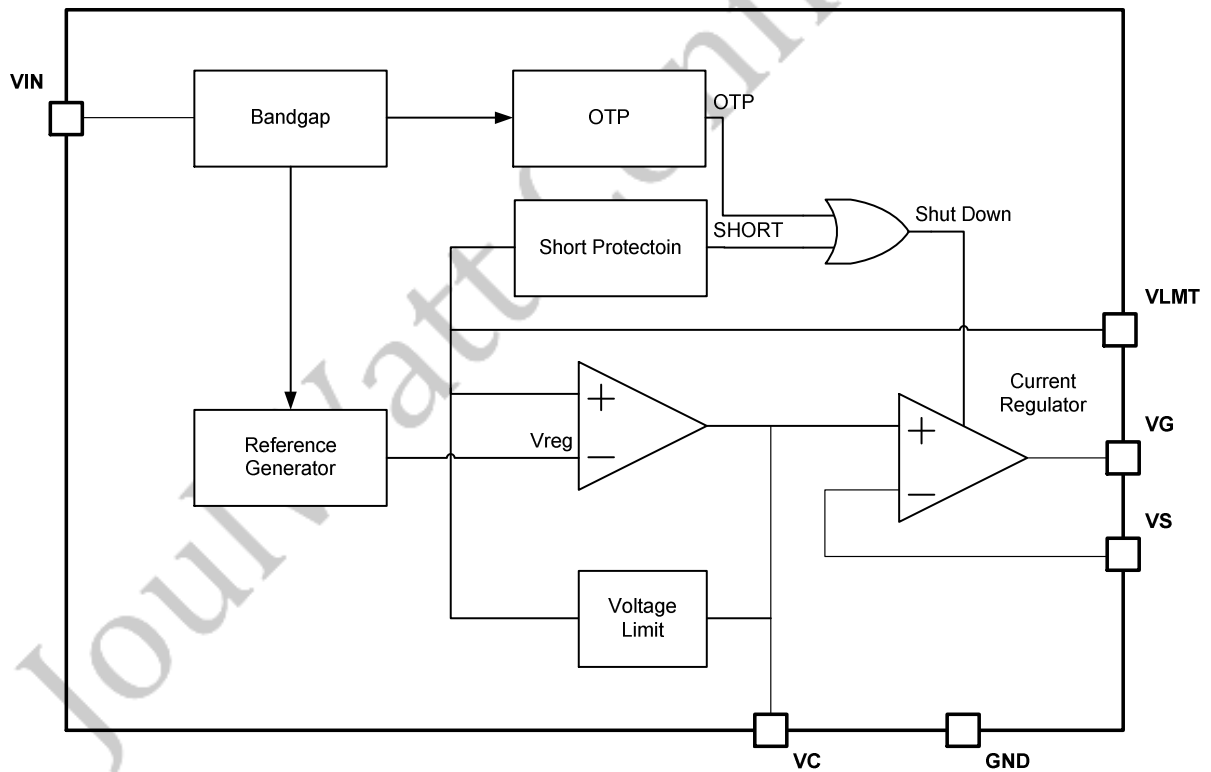
<i>VIN = 12V, TA = 25°C, unless otherwise stated.</i>						
Item	Symbol	Condition	Min.	Typ.	Max.	Units
VIN clamp voltage	V <sub>IN_CLP</sub>		29	32	35	V
VIN operation current	I <sub>IN</sub>	17V<VIN<27V	0.24	0.3	0.58	mA
VIN startup voltage threshold	V <sub>IN_ST</sub>		15	16.5	18	V
VIN UVLO threshold	V <sub>IN_UVLO</sub>			11.5		V
Maximum VG output voltage	V <sub>VG</sub>		9	10.5	12	V
VC startup current	I <sub>VCST</sub>	VC short to GND when startup	0.45	0.65	0.85	mA
VLMT reference voltage	V <sub>VLMT</sub>		1.85	2.05	2.25	V
NMOSFET drain voltage limit	V <sub>D_CLP</sub>	Drain voltage of NMOSFET when voltage limit is triggered. R <sub>LIMIT</sub> =100K.	3.7	4.4	5.1	V
SHORT protection threshold	V <sub>TH_SHORT</sub>	Drain voltage of NMOSFET when SHORT is triggered. R <sub>LIMIT</sub> =100K.	5	6	7.5	V
SHORT protection delay time <sup>5)</sup>	TSPD			160		us
SHORT protection hold time <sup>5)</sup>	TSPH			800		ms
VS voltage limit	V <sub>VS</sub>		0.220		0.255	V

5) Guaranteed by design

**PIN DESCRIPTION**

SOT23-6 Pin No.	Name	Description
1	VIN	Power Supply
2	GND	Ground
3	VC	LED Current Ripple Programming
4	VG	NMOSFET GATE driving voltage output
5	VS	LED current sensing input
6	VLMT	LED Voltage Limit and SHORT protection Programming

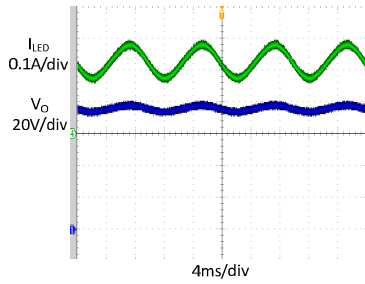
**BLOCK DIAGRAM**



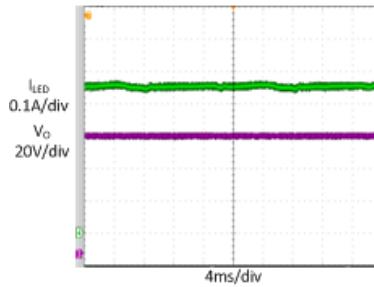
TYPICAL PERFORMANCE CHARACTERISTICS

$V_{IN} = 90\sim 264V_{AC}$ ,  $V_{OUT} = 75V$ ,  $I_{OUT} = 240mA$ ,  $C_{OUT} = 100\mu F/100V \times 2$ ,  $T_A = +25^\circ C$ , unless otherwise noted

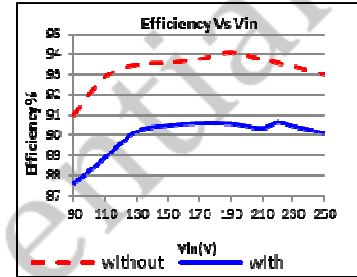
Pre-driver Output Steady State



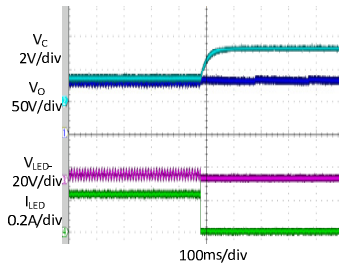
+JW1221A Output Steady State



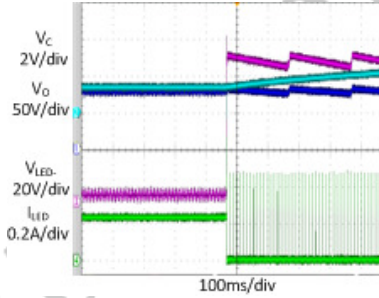
Efficiency comparison (with and without JW1221A)



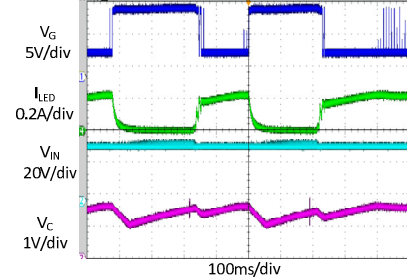
Open Circuit protection Test



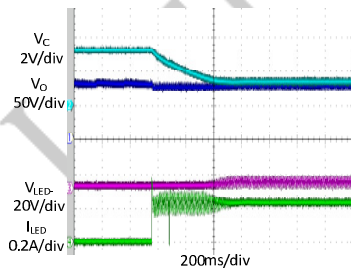
Short Circuit Protection Test



Continuous power on/off test

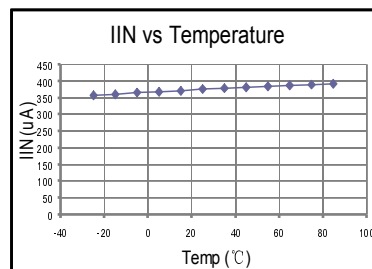


LED Hot plug



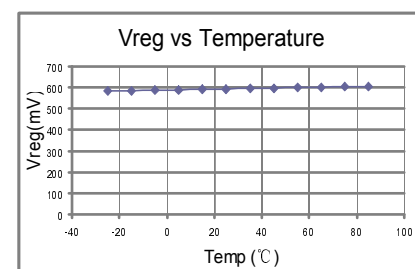
VIN Current VS Temperature

$I_{LED} = 700mA$ ,  $R_S = 0.20 \text{ Ohm}$



Regulated LED pin Voltage VS Temperature

$I_{LED} = 700mA$ ,  $R_S = 0.20 \text{ Ohm}$



## FUNCTIONAL DESCRIPTION

JW1221A is a controller for driving external NMOSFET to remove the 100/120Hz LED current ripple on AC/DC power.

### Theory of Operation

The LED string and JW1221A are both supplied by an AC/DC current source. The drain of external NMOSFET is connected to the cathode of LED string. A sensing resistor  $R_{SENSE}$  is connected between the source of NMOSFET and GND. The gate is connected to the VG of JW1221A.

JW1221A drives NMOSFET to transfer the LED current ripple to voltage ripple on NMOSFET, and ensures the constant voltage across LED string and the current flow through LED string. The scalable adaptive function of JW1221A can regulate the cathode voltage of LED string to minimum to improve the efficiency of the system.

### Current Ripple Removing

The capacitor  $C_C$  between VC and GND is an integration capacitor. JW1221A transform the voltage on  $C_C$  to a reference voltage. The current regulator regulates the voltage on  $R_{SENSE}$  equal to the reference voltage.

The relationship between the voltage on  $C_C$  and  $R_S$  is shown as following:

$$V_{RS} = I_{LED} * R_{SENSE} = V_{VC} / 10$$

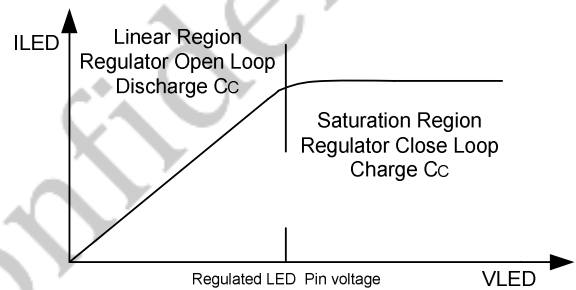
$C_C$  should be large enough in order to remove the current ripple of the LED string. However, too large capacitor may slow down the dynamic response.

### Adaptive Regulation

JW1221A control the voltage on  $C_C$  by monitoring the operation state of external NMOSFET. The efficiency of system is relatively

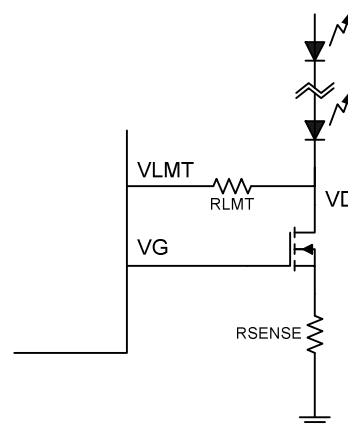
low when NMOSFET is working in the saturation region. JW1221A detects it and charges  $C_C$  to raise the  $V_{VC}$  and  $I_{LED}$ , then the output voltage of power supply is reduced, and the voltage drop on NMOSFET decreases.

Conversely, when NMOSFET is working in the linear region, LED current regulation loop is open. JW1221A detects it and discharges  $C_C$  to reduce the  $V_{VC}$  and  $I_{LED}$ , then the output voltage of power supply is raised, and the LED current regulation loop is close.



### Drain Voltage of NMOSFET Limit

The voltage ripple on the drain of NMOSFET maybe very large when the current ripple is removed, which would bring large power dissipation on chip. The resistor between the drain of NMOSFET and VLMT pin can setup the limit value of drain voltage of NMOSFET.



The limit threshold is calculated as below:

$$V_{\text{limit}} = 2V + R_{\text{LMT}} * 20\mu\text{A}$$

**LED Current Limit**

The voltage of VS pin is limited to 0.23V internally. So the current limitation is 0.23V/R<sub>S</sub>.

Current limit can protect the chip when LED is short connected or HOT-PLUG.

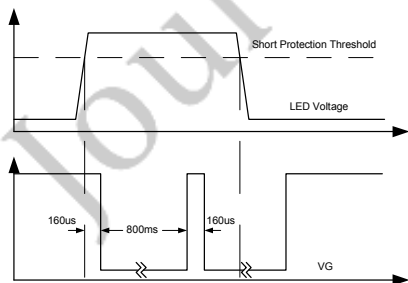
The function of current limit is higher priority than drain voltage limit. It means that the voltage on drain of NMOSFET is not limited when LED current exceed current limit threshold.

**LED Short Protection**

JW1221A detect SHORT by R<sub>LMT</sub>. When the drain voltage of NMOSFET exceeds the SHORT PROTECTION THRESHOLD and the state holds for more than 160us, JW1221A considers the LED string is SHORT connected, and shut down the external MOSFET. The SHORT state is reset after 800ms.

The SHORT PROTECTION THRESHOLD is calculated as:

$$V_{\text{THSCP}} = 2V + R_{\text{LMT}} * 40\mu\text{A}$$



**Over Thermal Protection**

JW1221A monitors operation temperature. When the temperature is higher than 145°C, JW1221A releases the current ripple until the temperature decrease to 120°C.

**PCB Design Guideline**

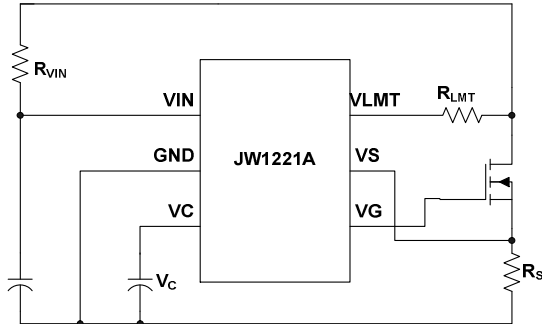
1. The bypass capacitor of VIN should be placed as close as possible to the VIN pin and GND pin of IC.
2. JW1221A should be placed far away from the power devices such as MOSFET and SBD.
3. The area of LED current loop should be as small as possible.

**MOSFET Selection Recommendation**

1. PDD0910, N-Channel MOSFET 100V, 8A, 200mohm, TO252, Potens.
2. FDS86240, N-Channel MOSFET 150V 7.5A 19.8mohm, SO-8, FAIRCHILD.
3. FQD18N20V2, N-Channel MOSFET 200V, 18A, 140mohm, TO252, FAIRCHILD.
4. CS630A8H, N-Channel MOSFET 200V, 9A, 0.23ohm, TO-220AB, Huajing.
5. CS640A8H, N-Channel MOSFET 200V, 18A, 0.12ohm, TO-220AB, Huajing.

APPLICATION INFORMATION

JW1221A design guide:



1. Because of the 30V zener integrated and the 16V  $V_{IN}$  start threshold, the value of  $R_{VIN}$  may satisfy the following conditions:

$$R_{VIN} < \frac{V_F - 16V}{0.5mA}$$

$V_F$ : the voltage of LED

2. The maximum voltage of VS pin is 0.2V in order to limit the maximum output current especially in the short circuit condition. The value of  $R_S$  can be calculated as below:

$$R_S < \frac{0.2V}{I_{LED}}$$

$I_{LED}$ : the output current of the pre-driver

3. When the voltage of LED- reaches  $V_{SCP}$  which is set by the  $R_{LMT}$ , JW1221A pulls down the  $V_{IN}$  then turns off the MOSFET. In order to ensure nothing will be damaged in the short circuit condition, the value of  $R_{LMT}$  must satisfy the following conditions:

$$V_{OVP} - V_F < V_{SCP} < V_F$$

$$V_{SCP} < V_{INSTART} = R_{VIN} * 0.5mA + 16V$$

$$V_{SCP} = 2V + 40\mu A * R_{LMT}$$

$V_{OVP}$ : the output voltage when the pre-driver is open.

$V_{SCP}$ : the threshold of JW1221A short circuit protection.

$V_{INSTART}$ : the output voltage of the pre-driver when the  $V_{IN}$  of JW1221A is 16V.

4. The value of the capacitor between VC and GND can determine the final amplitude of the current ripple. It should be large enough in order to remove the current ripple of the LED string. However, too large capacitor may slow down the dynamic response. In normal condition, 1uF or 2.2uF is relatively reasonable.
5. To ensure JW1221A work properly, the  $R_{DS(on)}$  of MOSFET must be less than  $3R_S$ . The MOSFET will endure a large power shorting the output on the moment, so the appropriate package and  $R_{DS(on)}$  of the MOSFET is necessary.
6. When short the LED, there is an overshoot on the drain of the MOSFET. The breakdown voltage of the MOSFET must be higher than  $V_{OVP}$ . A diode connected to LED+&LED- can reduce the overshoot when short.



REFERENCE DESIGN

Reference:

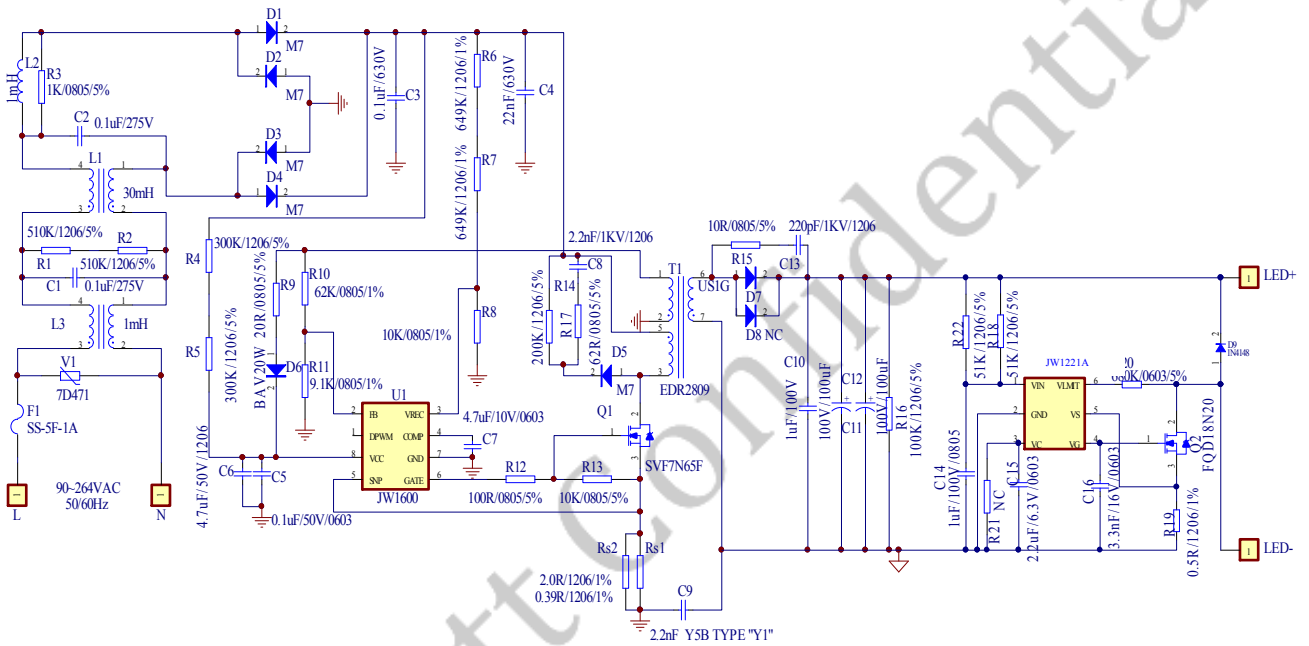
V<sub>IN</sub>: 90~260VAC

V<sub>OUT</sub>: 75V

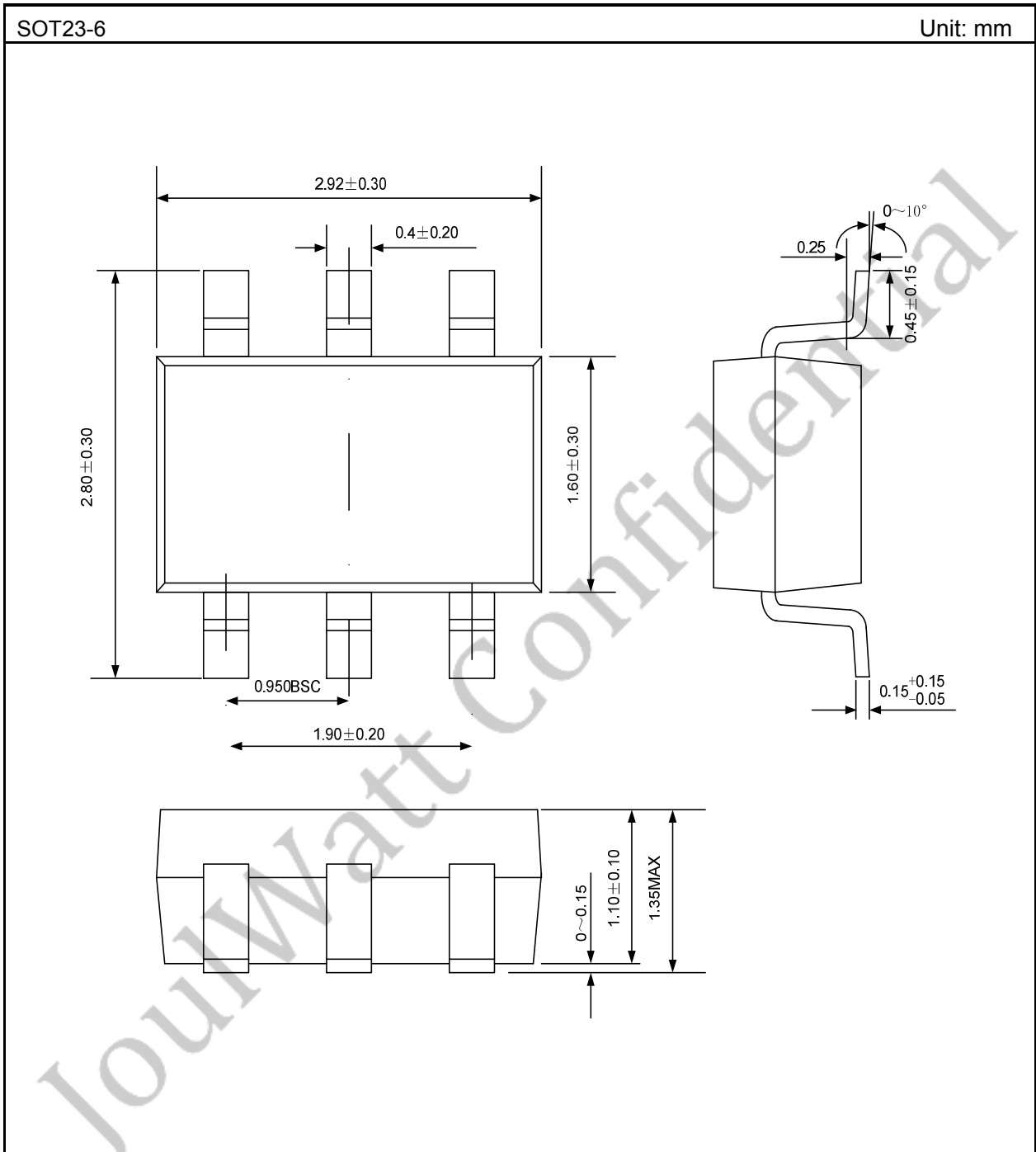
I<sub>OUT</sub>: 240mA

PF: >0.9

Current ripple: <5%



PACKAGE OUTLINE



**IMPORTANT NOTICE**

- Joulwatt Technology Inc. reserves the right to make modifications, enhancements, improvements, corrections or other changes without further notice to this document and any product described herein.
- Any unauthorized redistribution or copy of this document for any purpose is strictly forbidden.
- Joulwatt Technology Inc. does not warrant or accept any liability whatsoever in respect of any products purchased through unauthorized sales channel.

JoulWatt Confidential

*Copyright © 2016 JW1221A Incorporated.*

*All rights are reserved by Joulwatt Technology Inc.*

## X-ON Electronics

Largest Supplier of Electrical and Electronic Components

*Click to view similar products for [Power Management Specialised - PMIC category](#):*

*Click to view products by [JoulWatt manufacturer](#):*

Other Similar products are found below :

[P9145-I0NQGI](#) [SLG7NT4192VTR](#) [AS3729B-BWLM](#) [LNBH25SPQR](#) [ADP5080ACBZ-1-RL](#) [MC32PF3000A6EP](#) [MB39C831QN-G-EFE2](#)  
[MAX9959DCCQ+D](#) [MAX1932ETC+T](#) [MAX1856EUB+T](#) [STNRG011TR](#) [IRPS5401MXI03TRP](#) [S6AE102A0DGN1B200](#)  
[MMPF0100FDAEP](#) [MCZ33903DS5EK](#) [S6AE101A0DGNAB200](#) [MCZ33903DS3EK](#) [NCP6924CFCHT1G](#) [MAX17117ETJ+](#) [L9916](#) [L9915-](#)  
[CB](#) [MCZ33905DS3EK](#) [MMPF0100FCANES](#) [MCZ33905DD3EK](#) [MMPF0100FBANES](#) [WM8325GEFL/V](#) [MCZ33903DP5EK](#)  
[MCZ33905DS5EK](#) [MCZ33903D3EK](#) [MCZ33903DD5EK](#) [ADN8835ACPZ-R7](#) [MCZ33903DP5EKR2](#) [MCZ33903D5EK](#) [MCZ33903DD3EK](#)  
[MMPF0100FAAZES](#) [SLG7NT4198V](#) [MIC5164YMM](#) [P9180-00NHGI](#) [NCP6914AFCAT1G](#) [TLE9261QX](#) [TEA1998TS/1H](#)  
[MAX881REUB+T](#) [TLE9262QX](#) [TLE8880TN](#) [MAX8520ETP+T](#) [SLG7NT4083V](#) [ADP1031ACPZ-1-R7](#) [ADP1031ACPZ-2-R7](#)  
[ADP1031ACPZ-3-R7](#) [ADP1031ACPZ-4-R7](#)