

DESCRIPTION

PT8211 is a dual channel, 16 bit Digital-to-Analog Converter IC utilizing CMOS technology specially designed for the digital audio applications. The internal conversion architecture is based on a R-2R resistor ladder network, internal circuit is well matched and a 16 bit dynamic range is achieved even in whole supply voltage range. PT8211 also enhanced the performance of timing responsibility in digital serial bus, in a company with the fast switching R-2R network that make 8X oversampling audio signal is also supported.

PT8211 can be supported wide range of sample frequency; it is compatible with TDA1311 by functionally. Its digital input timing format is Least Significant Bit Justified (LSBJ), or so called Japanese input format. Digital code format is two's complement and MSB first. PT8211 is available in 8-pin SOP or DIP.

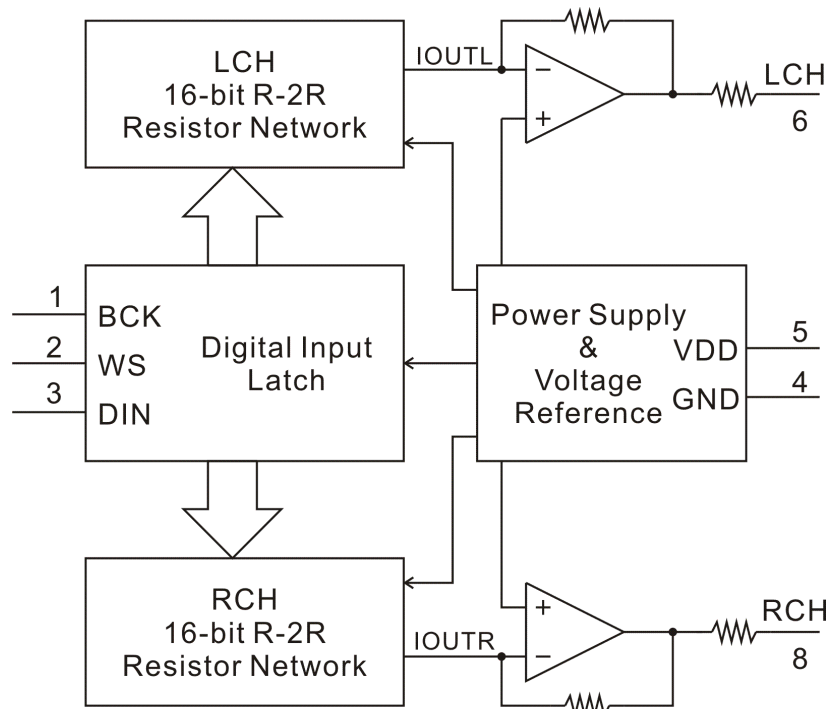
FEATURES

- CMOS technology
- Support 3.3V bus input level
- Low power consumption
- Two audio channel output in the same chip
- 16-bit dynamic range
- Low total harmonic distortion
- No phase shift between both output channel
- Available in 8 pins, SOP or DIP

APPLICATIONS

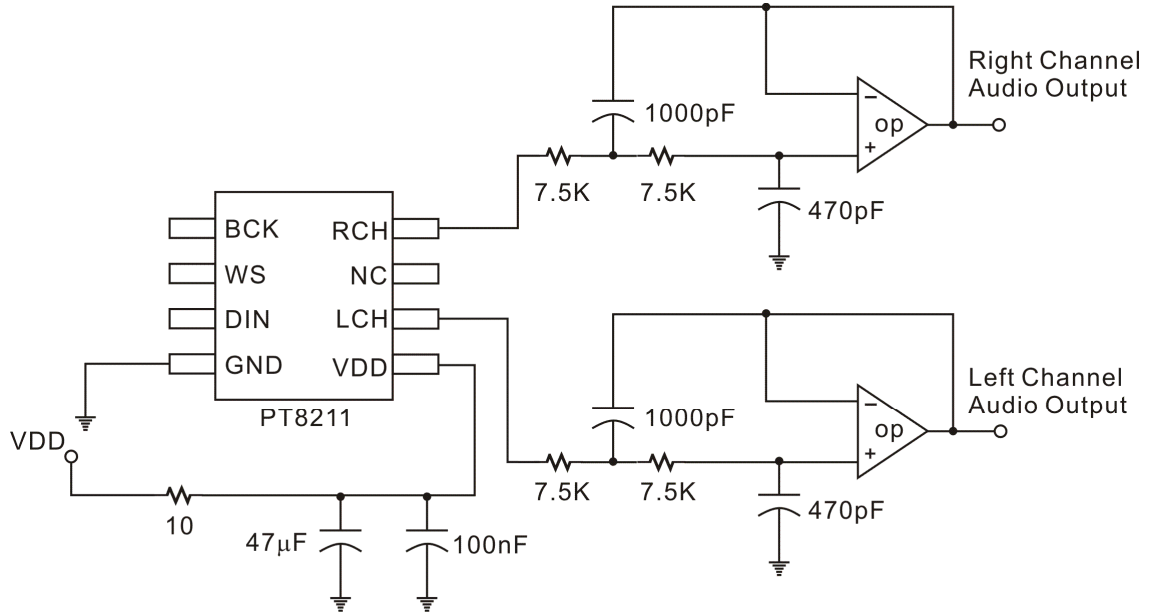
- Digital audio equipment
- CD ROM/VCD
- Multimedia sound card
- MPEG decoder card

BLOCK DIAGRAM



APPLICATION CIRCUIT AND NOTE

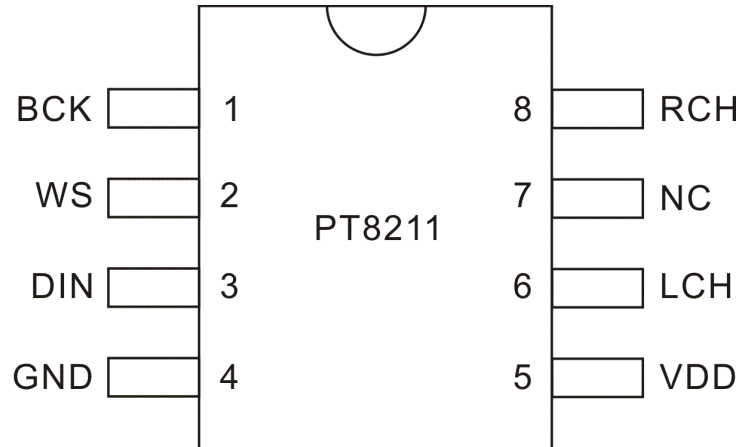
To further suppress residual noise, we suggest placing an additional low pass filter after the analog output of PT8211. Please refer to the circuit diagram below. This is a simple second-order analog post filter. If low noise output is very important for your circuit design we suggest using a regulated power supply.



ORDER INFORMATION

Valid Part Number	Package Type	Top Code
PT8211-S	8 Pins, SOP, 150mil	PT8211-S
PT8211	8 Pins, DIP, 300mil	PT8211

PIN CONFIGURATION



PIN DESCRIPTION

Pin Name	I/O	Description	Pin No.
BCK	I	Serial Bit Clock Input	1
WS	I	Word Select Clock Input Pin	2
DIN	I	Data Input Pin	3
GND	-	Ground	4
VDD	Power	Positive Power Supply	5
LCH	O	Left Channel Output	6
NC	-	No Connection	7
RCH	O	Right Channel Output	8



IMPORTANT NOTICE

Princeton Technology Corporation (PTC) reserves the right to make corrections, modifications, enhancements, improvements, and other changes to its products and to discontinue any product without notice at any time.

PTC cannot assume responsibility for use of any circuitry other than circuitry entirely embodied in a PTC product. No circuit patent licenses are implied.

Princeton Technology Corp.
2F, 233-1, Baociao Road,
Sindian, Taipei 23145, Taiwan
Tel: 886-2-66296288
Fax: 886-2-29174598
<http://www.princeton.com.tw>

X-ON Electronics

Largest Supplier of Electrical and Electronic Components

Click to view similar products for [Digital to Analog Converters - DAC category](#):

Click to view products by [Princeton manufacturer](#):

Other Similar products are found below :

[5962-8871903MYA](#) [5962-8876601LA](#) [5962-89697013A](#) [5962-89932012A](#) [5962-9176404M3A](#) [PM7545FPCZ](#) [AD5311BRMZ-REEL7](#)
[AD5311RBRMZ-RL7](#) [AD558SE/883B](#) [AD5681RBCPZ-1RL7](#) [AD664TE/883B](#) [AD667SE](#) [AD7845SE/883B](#) [AD9115BCPZRL7](#)
[AD9162BBCA](#) [DAC08RC/883C](#) [JM38510/11302BEA](#) [AD5449YRUZ-REEL7](#) [AD664AJ](#) [AD664BJ](#) [AD667SE/883B](#) [AD7534JPZ](#) [TCC-](#)
[103A-RT](#) [057536E](#) [5962-87700012A](#) [5962-87700032A](#) [5962-87789022A](#) [5962-89657023A](#) [702423BB](#) [AD664BE](#) [MAX5853ETL+T](#)
[MAX5801AUB+](#) [AD9116BCPZRL7](#) [MAX5110GTJ+](#) [MAX5702BAUB+](#) [DS4412U+T&R](#) [MAX5364EUT+T](#) [MAX5858AECM+D](#)
[AD5821ABCBZ-REEL7](#) [MX7528KP+](#) [MAX5858ECM+D](#) [MAX5138BGTE+T](#) [MAX5856AECM+D](#) [AD9164BBCA](#) [AD7545AUE](#)
[MX7528JP+](#) [TCC-303A-RT](#) [MAX5112GTJ+](#) [DS3911T+T](#) [MAX5805BAUB+T](#)