

Part Numbering System



① Category code

| Type | Code |
|------------------------|------|
| | 1 |
| Electrolytic Capacitor | E |
| Conductive Polymer | S |

② Series code

| Series name | Code | |
|-------------|------|---|
| | 2 | 3 |
| WH | W | H |
| CD11GE | G | E |
| CD11GES | G | X |
| CD11GAS | G | W |
| CD11GHS | G | S |
| NR | N | R |
| PZ | P | Z |

③ Voltage code

| WV (V _{dc}) | Code | |
|-----------------------|------|---|
| | 4 | 5 |
| 2.5 | 0 | E |
| 3 | 0 | D |
| 4 | 0 | G |
| 6.3 | 0 | J |
| 6.8 | 0 | C |
| 7 | 0 | Q |
| 7.5 | 0 | A |
| 10 | 1 | A |
| 12 | 1 | T |
| 16 | 1 | C |
| 25 | 1 | E |
| 35 | 1 | V |
| 40 | 1 | G |
| 50 | 1 | H |
| 63 | 1 | J |
| 80 | 1 | B |
| 100 | 1 | K |
| 120 | 2 | B |
| 160 | 2 | C |
| 180 | 2 | L |
| 200 | 2 | D |
| 220 | 2 | N |
| 250 | 2 | E |
| 315 | 2 | F |
| 350 | 2 | V |
| 380 | 2 | P |
| 400 | 2 | G |
| 420 | 2 | T |
| 450 | 2 | W |
| 500 | 2 | H |
| 550 | 2 | J |
| 600 | 2 | K |

④ Capacitance tolerance code

| Tol. (%) | Code |
|----------|------|
| | 6 |
| -10~+10 | K |
| -20~+20 | M |
| -10~+30 | Q |
| -10~+20 | V |
| 0~+20 | A |
| -5~+20 | C |
| -10~-20 | B |
| -5~+5 | D |
| 0~+10 | E |
| -5~-20 | F |
| -15~+5 | N |

⑤ Capacitance code

| Cap (μF) | Code | | |
|----------|------|---|---|
| | 7 | 8 | 9 |
| 0.10 | R | 1 | 0 |
| 0.22 | R | 2 | 2 |
| 0.33 | R | 3 | 3 |
| 0.47 | R | 4 | 7 |
| 0.68 | R | 6 | 8 |
| 1 | 0 | 1 | 0 |
| 2.2 | 2 | R | 2 |
| 3.3 | 3 | R | 3 |
| 4.7 | 4 | R | 7 |
| 6.8 | 6 | R | 8 |
| 10 | 1 | 0 | 0 |
| 22 | 2 | 2 | 0 |
| 33 | 3 | 3 | 0 |
| 47 | 4 | 7 | 0 |
| 68 | 6 | 8 | 0 |
| 100 | 1 | 0 | 1 |
| 220 | 2 | 2 | 1 |
| 330 | 3 | 3 | 1 |
| 470 | 4 | 7 | 1 |
| 680 | 6 | 8 | 1 |
| 1000 | 1 | 0 | 2 |
| 2200 | 2 | 2 | 2 |
| 3300 | 3 | 3 | 2 |
| 4700 | 4 | 7 | 2 |
| 6800 | 6 | 8 | 2 |
| 10000 | 1 | 0 | 3 |
| 22000 | 2 | 2 | 3 |
| 33000 | 3 | 3 | 3 |
| 68000 | 6 | 8 | 3 |

⑥ Size code

| ΦD (mm) | Code |
|---------|------|
| 4 | C |
| 5 | D |
| 6.3 | E |
| 8 | F |
| 10 | G |
| 11 | H |
| 12 | J |
| 12.5 | W |
| 13 | K |
| 14 | X |
| 16 | L |
| 18 | M |
| 19 | Z |
| 20 | N |
| 22 | O |
| 25 | P |
| 30 | Q |
| 35 | R |
| 40 | Y |
| 51.6 | S |
| 64.3 | T |
| 76.9 | U |
| 91 | V |
| 100 | A |

| L (mm) | Code | |
|--------|------|----|
| | 11 | 12 |
| 5 | 0 | 5 |
| 7 | 0 | 7 |
| 11 | 1 | 1 |
| 12 | 1 | 2 |
| 16 | 1 | 6 |
| 20 | 2 | 0 |
| 25 | 2 | 5 |
| 30 | 3 | 0 |
| 35 | 3 | 5 |
| 40 | 4 | 0 |
| 46 | 4 | 6 |
| 50 | 5 | 0 |
| 60 | 6 | 0 |
| 80 | 8 | 0 |
| 100 | A | 0 |
| 115 | B | 5 |
| 120 | C | 0 |
| 130 | D | 0 |
| 140 | E | 0 |
| 160 | G | 0 |
| 200 | K | 0 |
| 220 | M | 0 |
| 236 | N | 6 |
| 250 | P | 0 |

⑦ Terminal code

| Specification | Code | Size | |
|---------------------------------------|------|------|----|
| | 13 | 14 | 15 |
| Bulk packing | O | - | - |
| Taping (SMD Type) | D | 0 | 0 |
| Φ4~8 Taping F=5.0mm | P | 5 | 0 |
| Φ10~12.5 Taping F=5.0mm | B | 5 | 0 |
| Lead Cut L=3.5mm | C | 3 | 5 |
| Lead Cut L=11.0mm | C | B | 0 |
| Lead Forming & Cut L=4.5mm | F | - | - |
| Kink & Cut L=4.5mm | J | - | - |
| Snap-in type Terminal 4.0mm in length | K | - | - |
| Three Terminals | T | - | - |
| Ring clip mounting standard design | A | 0 | 0 |
| Ring clip mounting special design | S | - | - |

⑧ Sleeve/Marking code

| Sleeve/Marking | Code |
|----------------|------|
| | 16 |
| PVC | C |
| PET | T |
| Dark blue | B |
| Bright red | R |
| Sky-blue | S |
| Light blue | T |
| Pink | Z |
| Black | H |
| Purple-blue | V |
| Red | O |

Lead Forming
Taping Specifications

Fig.1 code: X



Fig.2 code: B



Fig.3 code: B

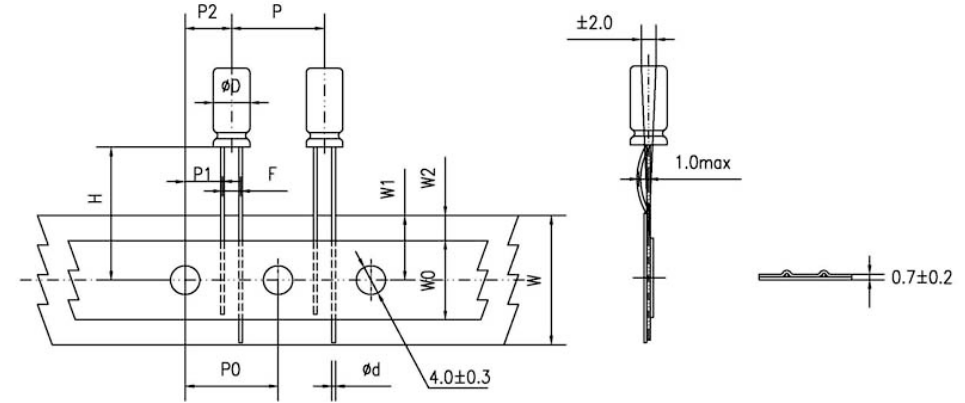


Fig.4 code: P



Lead Forming

Specification Fig.1 & Fig.2 & Fig.3

| Items | Symbol | Case size | | | | | | | | | | Tolerance | | |
|---|--------|------------|-----|------------|------|------|------|-------|----------------|------------------|-----------------------------------|-----------|--------------|--|
| | | 4*5 4*7 | | 5*5 5*7 | | 5*11 | | 6.3*5 | 6.3*7 6.3*9 | 6.3*11 6.3*12 | 8*5/7 8*9/11 8*11.5 8*12 | | 8*16 8*20 | 10*9/12 10*12.5 10*13/16 10*20/25 |
| Pin Code | | X | B | X | B | X | B | B | B | B | B | B | B | |
| Lead wire diameter | Φd | 0.45 | | 0.45 | | 0.5 | | 0.45 | 0.5 | 0.5 | 0.45/0.5 | 0.6 | 0.6 | ±0.05 |
| Pitch of body | P | 12.7 | | 12.7 | | 12.7 | | 12.7 | 12.7 | 12.7 | 12.7 | 12.7 | 12.7 | ±1.0 |
| Feed hole pitch | P0 | 12.7 | | 12.7 | | 12.7 | | 12.7 | 12.7 | 12.7 | 12.7 | 12.7 | 12.7 | ±0.2 |
| Distance from hole center to lead | P1 | 5.1 | 5.6 | 5.1 | 5.35 | 5.1 | 5.35 | 5.1 | 5.1 | 5.1 | 4.6 | 4.6 | 3.85 | ±0.7 |
| Distance from feed hole center to body center | P2 | 6.35 | | 6.35 | | 6.35 | | 6.35 | 6.35 | 6.35 | 6.35 | 6.35 | 6.35 | ±1.0 |
| Lead-to-lead distance | F | 2.5 | 1.5 | 2.5 | 2.0 | 2.5 | 2.0 | 2.5 | 2.5 | 2.5 | 3.5 | 3.5 | 5.0 | ±0.5 |
| Height of body from tape center | H | 18.5 | | 18.5 | | 18.5 | | 18.5 | 18.5 | 18.5 | 18.5 | 18.5 | 18.5 | ±0.75 |
| Base tape width | W | 18.0 | | 18.0 | | 18.0 | | 18.0 | 18.0 | 18.0 | 18.0 | 18.0 | 18.0 | ±0.5 |
| Adhesive tape width | W0 | 6.0 | | 6.0 | | 6.0 | | 6.0 | 6.0 | 8.0 | 8.0 | 8.0 | 11.0 | min |
| Hole position | W1 | 9.0 | | 9.0 | | 9.0 | | 9.0 | 9.0 | 9.0 | 9.0 | 9.0 | 9.0 | +0.75 -0.5 |
| Hole down tape position | W2 | 3.0 | | 3.0 | | 3.0 | | 3.0 | 3.0 | 3.0 | 3.0 | 3.0 | 3.0 | max |

Specification Fig.4

| Items | Symbol | Case size | | | | | | | | | Tolerance |
|---|--------|------------|------|------|------|-------|----------------|------------------|------------------------------|--------------|---------------|
| | | 4*5 4*7 | 5*5 | 5*7 | 5*11 | 6.3*5 | 6.3*7 6.3*9 | 6.3*11 6.3*12 | 8*5/7 8*9/11 8*11.5/12 | 8*16 8*20 | |
| Pin Code | | P | P | P | P | P | P | P | P | P | |
| Lead wire diameter | Φd | 0.45 | 0.45 | 0.45 | 0.5 | 0.45 | 0.5 | 0.5 | 0.45/0.5 | 0.6 | ±0.05 |
| Pitch of body | P | 12.7 | 12.7 | 12.7 | 12.7 | 12.7 | 12.7 | 12.7 | 12.7 | 12.7 | ±1.0 |
| Feed hole pitch | P0 | 12.7 | 12.7 | 12.7 | 12.7 | 12.7 | 12.7 | 12.7 | 12.7 | 12.7 | ±0.2 |
| Distance from hole center to lead | P1 | 3.85 | 3.85 | 3.85 | 3.85 | 3.85 | 3.85 | 3.85 | 3.85 | 3.85 | ±0.7 |
| Distance from feed hole center to body center | P2 | 6.35 | 6.35 | 6.35 | 6.35 | 6.35 | 6.35 | 6.35 | 6.35 | 6.35 | ±1.0 |
| Lead-to-lead distance | F | 1.5 | 2.0 | 2.0 | 2.0 | 2.5 | 2.5 | 2.5 | 3.5 | 3.5 | ±0.5 |
| Lead to lead distance | F1 | 5.0 | 5.0 | 5.0 | 5.0 | 5.0 | 5.0 | 5.0 | 5.0 | 5.0 | +0.8 -0.2 |
| Height of body from tape center | H | 18.5 | 18.5 | 18.5 | 18.5 | 18.5 | 18.5 | 18.5 | 18.5 | 18.5 | ±0.75 |
| Lead wire clinch height | H0 | 16.0 | 16.0 | 16.0 | 16.0 | 16.0 | 16.0 | 16.0 | 16.0 | 16.0 | ±0.5 |
| Base tape width | W | 18.0 | 18.0 | 18.0 | 18.0 | 18.0 | 18.0 | 18.0 | 18.0 | 18.0 | ±0.5 |
| Adhesive tape width | W0 | 6.0 | 6.0 | 6.0 | 6.0 | 6.0 | 6.0 | 8.0 | 8.0 | 8.0 | min |
| Hole position | W1 | 9.0 | 9.0 | 9.0 | 9.0 | 9.0 | 9.0 | 9.0 | 9.0 | 9.0 | +0.75 -0.5 |
| Hole down tape position | W2 | 3.0 | 3.0 | 3.0 | 3.0 | 3.0 | 3.0 | 3.0 | 3.0 | 3.0 | max |

Lead Forming

Lead Forming & Cut

Code:C
RANGE: $\Phi 4\sim\Phi 18$



Code:F
RANGE: $\Phi 4\sim\Phi 8$



| ΦD | F | L | ΦD | F | L |
|----------|-----|----------|----------|-----|--------------------|
| 4 | 1.5 | 3.0~12.0 | 4 | 5.0 | 3.5, 4.5, 5.0, 7.0 |
| 5 | 2.0 | 3.0~12.0 | 5 | 5.0 | 3.5, 4.5, 5.0, 7.0 |
| 6.3 | 2.5 | 3.0~12.0 | 6.3 | 5.0 | 3.5, 4.5, 5.0, 7.0 |
| 8 | 3.5 | 3.0~12.0 | 8 | 5.0 | 3.5, 4.5, 5.0, 7.0 |
| 10 | 5.0 | 3.0~12.0 | - | - | - |
| 12.5 | 5.0 | 3.0~12.0 | - | - | - |
| 16 | 7.5 | 3.0~12.0 | - | - | - |
| 18 | 7.5 | 3.0~12.0 | - | - | - |

Code:J
RANGE: $\Phi 10\sim\Phi 18$



| ΦD | F | L |
|----------|-----|---------------|
| 10 | 5.0 | 4.0, 4.5, 5.0 |
| 12.5 | 5.0 | 4.0, 4.5, 5.0 |
| 16 | 7.5 | 4.0, 4.5, 5.0 |
| 18 | 7.5 | 4.0, 4.5, 5.0 |

Solering Recommendation

■ Flow Soldering(Radial Lead Type)



■ Reflow Soldering

- (For Polymer SMD Type)

Recommended Reflow Profile



| Item | Preheating | T1(°C) | T2(°C) | T3(°C) | t1(sec.) | t2(sec.) | t3(sec.) | Reflow cycle |
|-------------|---------------------------------|--------|--------|--------|----------|----------|----------|--------------|
| Condition 1 | 150°C to 180°C Within 90sec. | ≤260 | 230 | 200 | ≤10 | ≤40 | ≤60 | 1 |
| Condition 2 | | ≤250 | 230 | 200 | ≤10 | ≤40 | ≤60 | 2 |

● (For Liquid SMD Type)

Case size: $\Phi 6.3$ – $\Phi 10$ mm:

- Temperature at surface of capacitor shall not exceed $T^{\circ}\text{C}$.
- The duration for over 200°C temperature and $T_1^{\circ}\text{C}$ at surface of capacitor shall not exceed t and t_1 seconds, respectively.
- Preheat shall be done at 100°C to 200°C and for Maximum 180 seconds.



| Case size (mm) | $T(^{\circ}\text{C})$ ① | $T_1(^{\circ}\text{C})$ | $t(\text{sec.})$ ② | $t_1(\text{sec.})$ ③ | Reflow cycle |
|----------------|-------------------------|-------------------------|--------------------|----------------------|--------------|
| $\Phi 6.3$ | 250 | 230 | 90 | 40 | 1 |
| $\Phi 8$ | 240 | 230 | 90 | 30 | 1 |
| $\Phi 10$ | 235 | 230 | 60 | 30 | 1 |

- ① Peak temperature
- ② The duration over 200°C (max.)
- ③ The duration over $T_1^{\circ}\text{C}$
- Please contact us if capacitors are subject to the conditions other than the allowable range of reflow.

Case size: $\Phi 12.5$ – $\Phi 18$ mm:

- Temperature at surface of capacitor shall not exceed $T^{\circ}\text{C}$.
- The duration for over 200°C temperature and $T_1^{\circ}\text{C}$ at surface of capacitor shall not exceed t and t_1 seconds, respectively.
- Preheat shall be done at 100°C to 180°C and for Maximum 150 seconds.



| Case size (mm) | $T(^{\circ}\text{C})$ ① | $T_1(^{\circ}\text{C})$ | $t(\text{sec.})$ ② | $t_1(\text{sec.})$ ③ | Reflow cycle |
|-------------------------|-------------------------|-------------------------|--------------------|----------------------|--------------|
| $\Phi 12.5$ – $\Phi 18$ | 240 | 230 | 60 | 30 | 1 |

- ① Peak temperature
- ② The duration over 200°C (max.)
- ③ The duration over $T_1^{\circ}\text{C}$
- Please contact us if capacitors are subject to the conditions other than the allowable range of reflow.

ML series

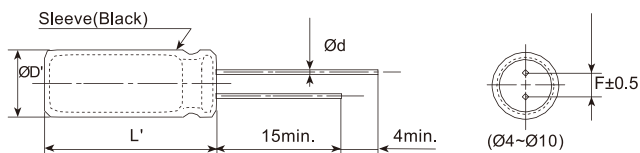
- Long life with 5mm to 9mm height.
- Endurance: +105°C 3,000–5,000 hours
- RoHS Compliant



SPECIFICATIONS

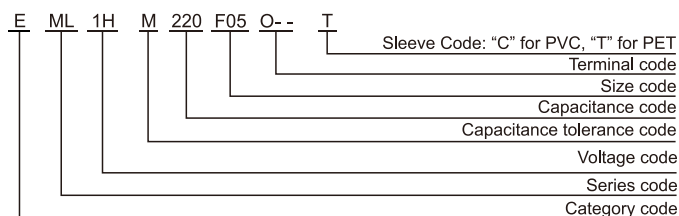
| Items | Characteristics | | | | | | | | |
|---|---|--------------------------------------|---|------|-------------------|-------|-------|-------|-------|
| Category Temperature Range | -40~+105°C | | | | | | | | |
| Rated Voltage Range | 6.3~50 V _{dc} | | | | | | | | |
| Capacitance Tolerance | ±20%(M) (at 20°C, 120Hz) | | | | | | | | |
| Leakage Current | I ≤ 0.01CV or 3μA, whichever is greater. Where, I: Max. leakage current (μA), C: Nominal capacitance (μF), V: Rated voltage (V) (at 20°C after 2 minutes) | | | | | | | | |
| Dissipation Factor (tanδ) | Rated Voltage (V _{dc}) | 6.3 10 16 25 35 50 | | | | | | | |
| | tanδ (max.) | 0.40 0.35 0.30 0.25 0.20 0.20 | | | | | | | |
| When nominal capacitance exceeds 1,000μF, add 0.02 to the value above for each 1,000μF increase. (at 20°C, 120Hz) | | | | | | | | | |
| Low Temperature Characteristics (Max. Impedance Ratio) | Rated Voltage (V _{dc}) | 6.3 10 16 25 35 50 | | | | | | | |
| | Z(-25°C)/Z(+20°C) | 6 4 4 3 2 2 | | | | | | | |
| | Z(-40°C)/Z(+20°C) | 12 10 8 6 4 4 (at 120Hz) | | | | | | | |
| Endurance | The following specifications shall be satisfied when the capacitors are restored to 20°C after DC voltage plus the rated ripple current is applied for a specified period of time at 105°C. | | | | | | | | |
| | Capacitance Change | ≤±30% of the initial value | <table border="1"> <tr> <th>Size</th> <th>Load life (hours)</th> </tr> <tr> <td>L=5mm</td> <td>3,000</td> </tr> <tr> <td>L≥7mm</td> <td>5,000</td> </tr> </table> | Size | Load life (hours) | L=5mm | 3,000 | L≥7mm | 5,000 |
| | Size | Load life (hours) | | | | | | | |
| | L=5mm | 3,000 | | | | | | | |
| L≥7mm | 5,000 | | | | | | | | |
| D.F. (tanδ) | ≤300% of the initial specified value | | | | | | | | |
| Leakage Current | ≤The initial specified value | | | | | | | | |
| Shelf Life | The following specifications shall be satisfied when the capacitors are restored to 20°C after exposing them for 1,000 hours at 105°C without voltage applied. | | | | | | | | |
| | Capacitance Change | ≤±30% of the initial value | | | | | | | |
| | D.F. (tanδ) | ≤300% of the initial specified value | | | | | | | |
| | Leakage Current | ≤200% of the initial specified value | | | | | | | |

DIMENSIONS [mm]



| ØD | 4 | | 5 | | 6.3 | | 8 | | | 10*9 |
|-----|------------|-------|------|-----|------|-----|-----|-----|-----|------|
| | 6.3*5 | 6.3*7 | 8*5 | 8*7 | 8*9 | | | | | |
| Ød | 0.45 | 0.45 | 0.45 | 0.5 | 0.45 | 0.5 | 0.5 | 0.5 | 0.6 | |
| F | 1.5 | 2.0 | 2.5 | 2.5 | 3.5 | 3.5 | 3.5 | 5.0 | | |
| ØD' | ØD+0.5max. | | | | | | | | | |
| L' | L+2max. | | | | | | | | | |

PART NUMBERING SYSTEM



RATED RIPPLE CURRENT MULTIPLIERS

Frequency correction factor for ripple current

| Freq. (Hz) | 60(50) | 120 | 500 | 1k | 10k≤ |
|-----------------|--------|------|------|------|------|
| Cap. < 2.2 | 0.50 | 1.00 | 1.20 | 1.30 | 1.50 |
| 2.2 ≤ Cap. < 10 | 0.65 | 1.00 | 1.20 | 1.30 | 1.50 |
| 10 ≤ Cap. < 100 | 0.80 | 1.00 | 1.20 | 1.30 | 1.50 |
| Cap. ≥ 100 | 0.80 | 1.00 | 1.10 | 1.15 | 1.20 |

The endurance of capacitors is shortened with internal heating produced by ripple current at the rate of halving the lifetime with every 5°C rise. When long life performance is required in actual use, the rms ripple current has to be reduced.

ML series

■ STANDARD RATINGS

| WV (V _{dc}) | Cap (μF) | Size ΦDxL(mm) | tanδ | Rated ripple current (mA _{rms} /105°C, 120Hz) |
|-----------------------|----------|---------------|------|--|
| 6.3(0J) | 27 | 4*5 | 0.40 | 25 |
| | 47 | 4*7 | 0.40 | 47 |
| | 56 | 5*5 | 0.40 | 50 |
| | 82 | 5*7 | 0.40 | 75 |
| | 120 | 6.3*5 | 0.40 | 80 |
| | 180 | 6.3*7 | 0.40 | 110 |
| | 220 | 8*5 | 0.40 | 125 |
| | 270 | 8*7 | 0.40 | 165 |
| | 470 | 8*7 | 0.40 | 190 |
| | 560 | 8*9 | 0.40 | 230 |
| 1000 | 10*9 | 0.40 | 480 | |
| 10(1A) | 22 | 4*5 | 0.35 | 22 |
| | 33 | 4*7 | 0.35 | 43 |
| | 47 | 5*5 | 0.35 | 48 |
| | 56 | 5*7 | 0.35 | 68 |
| | 100 | 6.3*5 | 0.35 | 75 |
| | 120 | 6.3*7 | 0.35 | 100 |
| | 180 | 8*5 | 0.35 | 120 |
| | 220 | 8*7 | 0.35 | 160 |
| | 330 | 8*7 | 0.35 | 180 |
| | 470 | 8*9 | 0.35 | 210 |
| 680 | 10*9 | 0.35 | 470 | |
| 16(1C) | 18 | 4*5 | 0.30 | 20 |
| | 22 | 4*7 | 0.30 | 40 |
| | 33 | 5*5 | 0.30 | 45 |
| | 39 | 5*7 | 0.30 | 65 |
| | 68 | 6.3*5 | 0.30 | 70 |
| | 100 | 6.3*7 | 0.30 | 95 |
| | 120 | 8*5 | 0.30 | 110 |
| | 150 | 8*7 | 0.30 | 125 |
| | 220 | 8*7 | 0.30 | 170 |
| | 330 | 8*9 | 0.30 | 195 |
| 470 | 10*9 | 0.30 | 460 | |
| 25(1E) | 10 | 4*5 | 0.25 | 18 |
| | 15 | 4*7 | 0.25 | 35 |
| | 22 | 5*5 | 0.25 | 42 |
| | 27 | 5*7 | 0.25 | 57 |
| | 47 | 6.3*5 | 0.25 | 65 |
| | 56 | 6.3*7 | 0.25 | 85 |
| | 82 | 8*5 | 0.25 | 100 |
| | 100 | 8*7 | 0.25 | 112 |
| | 150 | 8*7 | 0.25 | 140 |
| | 220 | 8*9 | 0.25 | 190 |
| 330 | 10*9 | 0.25 | 450 | |

| WV (V _{dc}) | Cap (μF) | Size ΦDxL(mm) | tanδ | Rated ripple current (mA _{rms} /105°C, 120Hz) |
|-----------------------|----------|---------------|------|--|
| 35(1V) | 6.8 | 4*5 | 0.20 | 17 |
| | 10 | 4*7 | 0.20 | 28 |
| | 12 | 5*5 | 0.20 | 34 |
| | 18 | 5*7 | 0.20 | 48 |
| | 27 | 6.3*5 | 0.20 | 58 |
| | 39 | 6.3*7 | 0.20 | 76 |
| | 47 | 8*5 | 0.20 | 80 |
| | 56 | 8*7 | 0.20 | 105 |
| | 100 | 8*7 | 0.20 | 125 |
| | 150 | 8*9 | 0.20 | 180 |
| | 220 | 10*9 | 0.20 | 360 |
| | 50(1H) | 1 | 4*5 | 0.20 |
| 2.2 | | 4*5 | 0.20 | 11 |
| 3.3 | | 4*5 | 0.20 | 14 |
| 4.7 | | 4*7 | 0.20 | 23 |
| 6.8 | | 5*5 | 0.20 | 25 |
| 10 | | 5*7 | 0.20 | 30 |
| 12 | | 6.3*5 | 0.20 | 37 |
| 18 | | 6.3*7 | 0.20 | 50 |
| 22 | | 8*5 | 0.20 | 62 |
| 33 | | 8*7 | 0.20 | 75 |
| 56 | | 8*7 | 0.20 | 115 |
| 82 | | 8*9 | 0.20 | 160 |
| 120 | | 10*9 | 0.20 | 315 |

X-ON Electronics

Largest Supplier of Electrical and Electronic Components

Click to view similar products for [Aluminium Electrolytic Capacitors - Radial Leaded](#) category:

Click to view products by [Aihua](#) manufacturer:

Other Similar products are found below :

[NRELS102M35V16X16C.140LLF](#) [ESRG160ETC100MD07D](#) [227RZS050M](#) [335CKR250M](#) [476CKH100MSA](#) [477CKR100M](#)
[107CKR010M](#) [107CKH063MSA](#) [RJH-25V222MI9#](#) [RJH-35V221MG5#](#) [B43827A1106M8](#) [RJH-50V221MH6#](#) [EKYA500ELL470MF11D](#)
[B41022A5686M6](#) [ESRG250ELL101MH09D](#) [EKMA160EC3101MF07D](#) [RJB-10V471MG3#](#) [ESMG160ETD221MF11D](#)
[EKZH160ETD152MJ20S](#) [RJH-35V122MJ6#](#) [EGXF630ELL621ML20S](#) [RBD-25V100KE3#N](#) [EKMA350ELL100ME07D](#)
[ESMG160ETD101ME11D](#) [ELXY100ETD102MJ20S](#) [EGXF500ELL561ML15S](#) [EKMG350ETD471MJ16S](#) [35YXA330MEFC10X12.5](#)
[RXW471M1ESA-0815](#) [ELXZ630ELL221MJ25S](#) [ERR1HM1R0D11OT](#) [LPE681M30060FVA](#) [LPL471M22030FVA](#) [HFE221M25030FVA](#)
[LKMD1401H221MF](#) [B41888G6108M000](#) [EKMA160ETD470MF07D](#) [UHW1J102MHD6](#) [EKMG500ETD221MJC5S](#) [LKMK2502W101MF](#)
[LKMD1401H181MF](#) [LKMI2502G820MF](#) [LKMJ2001J122MF](#) [LKML2501C472MF](#) [LKMJ4002C681MF](#) [450MXH330MEFCSN25X45](#)
[450MXK330MA2RFC22X50](#) [63ZLH560MEFCG412.5X30](#) [ELH2DM331O25KT](#) [ELH2DM471P30KT](#)