

## Surface mount switching diode FEATURES

- Fast Switching Speed.
- Surface Mount Package Ideally Suited For Automatic Insertion
- For General Purpose Switching Applications.

## APPLICATIONS

- Surface mount fast switching diode



## ORDERING INFORMATION

Type No.	Marking	Package Code
BAV19W	A8	SOD-123
BAV20W	T2	SOD-123
BAV21W	T3	SOD-123

## MAXIMUM RATING @ Ta=25°C unless otherwise specified

Characteristic	Symbol	BAV19W	BAV20W	BAV21W	Unit
Non-Repetitive Peak Reverse Voltage	$V_{RM}$	120	200	250	V
Peak Repetitive Reverse Voltage	$V_{RRM}$				
Working Peak Reverse Voltage	$V_{RWM}$	100	150	200	V
DC Reverse Voltage	$V_R$				
RMS Reverse Voltage	$V_{R(RMS)}$	71	106	141	V
Forward Continuous Current	$I_{FM}$	400			mA
Average Rectified Output Current	$I_o$	200			mA
Non-Repetitive Peak Forward Surge Current @t=1.0 $\mu$ s	$I_{FSM}$	2.5			A
@t=1.0 s		0.5			
Repetitive Peak Forward Surge Current	$I_{FRM}$	625			mA
Power Dissipation	$P_d$	250			mW
Thermal Resistance Junction to Ambient Air	$R_{\theta JA}$	500			°C/W
Operating and Storage Temperature Range	$T_j, T_{STG}$	-65 to+150			°C

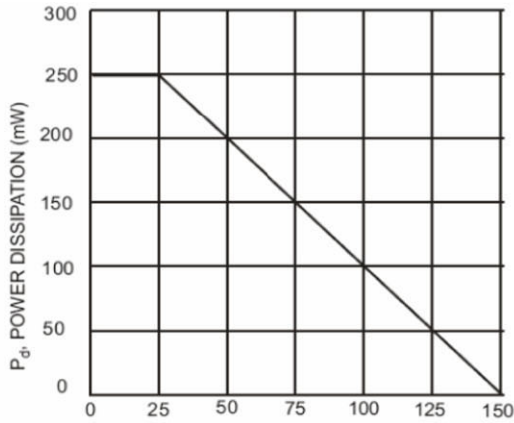


Surface mount switching diode

ELECTRICAL CHARACTERISTICS @ Ta=25°C unless otherwise specified

Characteristic	Symbol	Min	Max	Unit	Test Condition
Maximum Forward Voltage	V <sub>F1</sub> V <sub>F2</sub>	-	1.0 1.25	V	I <sub>F</sub> =100mA I <sub>F</sub> =200mA
Reverse Current BAV19W BAV20W BAV21W	I <sub>R</sub>	-	0.1	μA	V <sub>R</sub> =100V V <sub>R</sub> =150V V <sub>R</sub> =200V
Junction Capacitance	C <sub>j</sub>	-	5.0	pF	V <sub>R</sub> =0, f=1.0MHz
Reverse Recovery Time	t <sub>rr</sub>	-	50	ns	I <sub>F</sub> =I <sub>R</sub> =30mA, I <sub>rr</sub> =0.1×I <sub>R</sub> , R <sub>L</sub> =100Ω

TYPICAL CHARACTERISTICS @ Ta=25°C unless otherwise specified



T<sub>A</sub>' AMBIENT TEMPERATURE (°C)  
Fig. 1 Power Derating Curve

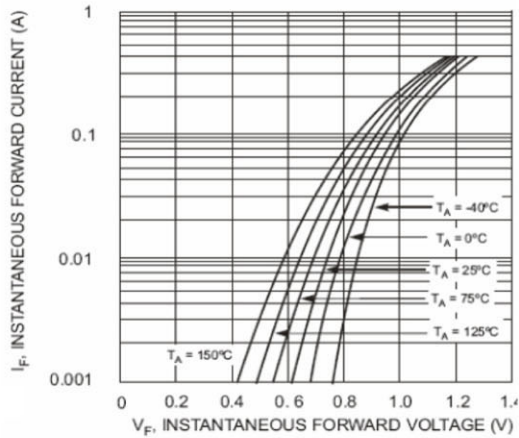
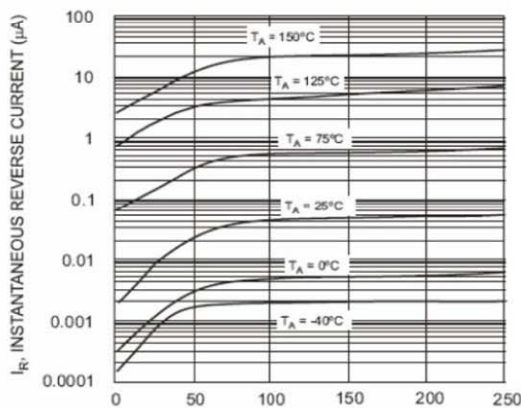
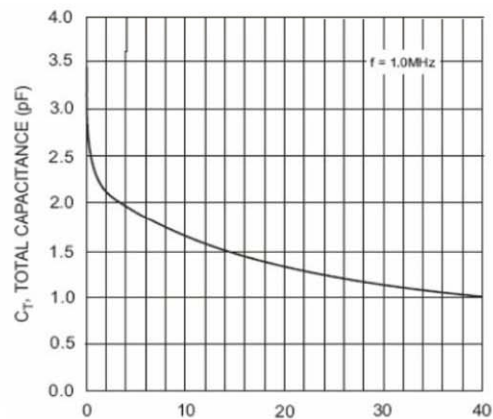


Fig. 2 Typical Forward Characteristics



V<sub>R</sub>, INSTANTANEOUS REVERSE VOLTAGE (V)  
Fig. 3 Typical Reverse Characteristics



V<sub>R</sub>, REVERSE VOLTAGE (V)  
Fig. 4 Typical Capacitance vs. Reverse Voltage

SHIKE MAKE CONSCIOUS PRODUCT

CONSCIOUS PRODUCTS BEGIN WITH CONSCIOUS PEOPLE

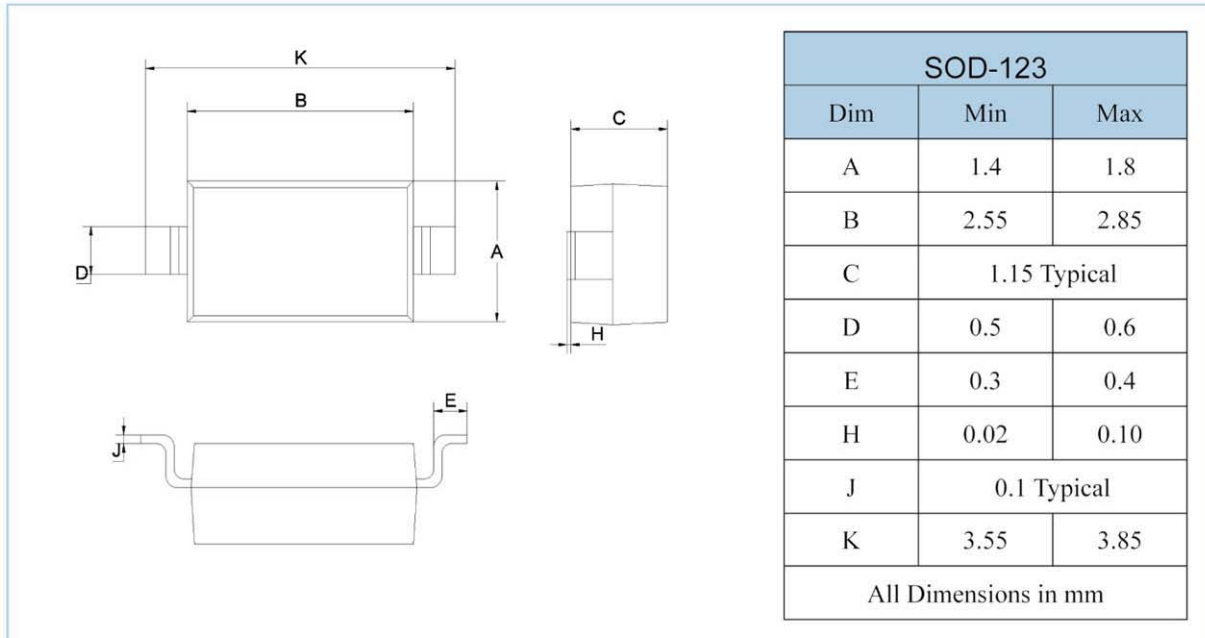
REV.07



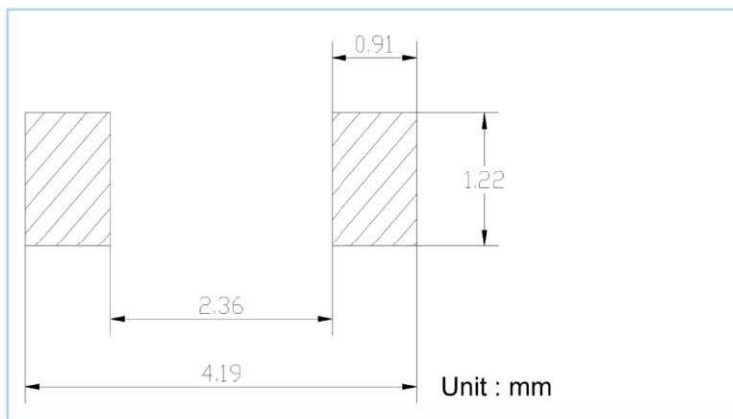
www.shike.tw

Surface mount switching diode  
**PACKAGE OUTLINE**

Plastic surface mounted package



**SOLDERING FOOTPRINT**



**PACKAGE INFORMATION**

Device	Package	Shipping
BAV19W/20W/21W	SOD-123	3000/Tape&Reel



## X-ON Electronics

Largest Supplier of Electrical and Electronic Components

*Click to view similar products for [Diodes - General Purpose, Power, Switching category](#):*

*Click to view products by [Shikues manufacturer](#):*

Other Similar products are found below :

[MCL4151-TR3](#) [MMBD3004S-13-F](#) [RD0306T-H](#) [RD0506LS-SB-1H](#) [RGP30G-E373](#) [DSE010-TR-E](#) [BAQ333-TR](#) [BAQ335-TR](#) [BAQ33-GS18](#) [BAS1602VH6327XT](#) [BAV17-TR](#) [BAV19-TR](#) [BAV301-TR](#) [BAW27-TAP](#) [HSC285TRF-E](#) [NSVBAV23CLT1G](#) [NTE525](#) [1SS181-TP](#) [1SS184-TP](#) [1SS193,LF](#) [1SS193-TP](#) [1SS400CST2RA](#) [SBAV99LT3G](#) [SDAA13](#) [LL4448-GS18](#) [SHN2D02FUTW1T1G](#) [LS4150GS18](#) [LS4151GS08](#) [SMMD7000LT3G](#) [FC903-TR-E](#) [1N4449](#) [1N4934-E3/73](#) [1SS226-TP](#) [APT100DL60HJ](#) [RFUH20TB3S](#) [RGP30G-E354](#) [RGP30M-E3/73](#) [D291S45T](#) [MCL4151-TR](#) [BAS 16-02V H6327](#) [BAS 21U E6327](#) [BAS 28 E6327](#) [BAS33-TAP](#) [BAS 70-02V H6327](#) [BAV300-TR](#) [BAV303-TR3](#) [BAW27-TR](#) [BAW56DWQ-7-F](#) [BAW56M3T5G](#) [BAW75-TAP](#)