

# 徑向引綫多層陶瓷電容器 RADIAL LEADED MLCC

## ■ 徑向引綫多層陶瓷電容器 RADIAL LEADED MLCC

### ● 訂貨方式 HOW TO ORDER

CT4 - 0805 Y 104 M 500 P F3  
 ↓ ↓ ↓ ↓ ↓ ↓ ↓ ↓  
 A B C D E F G H



A:

| 產品類別<br>Product Type |                                                           |
|----------------------|-----------------------------------------------------------|
| 代號<br>Code           | 類別<br>Type                                                |
| CC4                  | I類徑向引綫電容器<br>Class I Dielectric<br>Radial Leaded & MLCC   |
| CT4                  | II類徑向引綫電容器<br>Class II Dielectric<br>Radial Leaded & MLCC |

B:

單位：英寸  
UNIT: INCHES

| 本體尺寸規格(長×寬)<br>Nominal Body Size(L×W) |           |
|---------------------------------------|-----------|
| 0805                                  | 0.17×0.15 |
| 1206                                  | 0.20×0.18 |
| 1209/1210                             | 0.20×0.22 |
| 1812                                  | 0.34×0.26 |
| 2225                                  | 0.41×0.37 |

E:

| 容量偏差<br>Tolerance                                                                          |          |
|--------------------------------------------------------------------------------------------|----------|
| B                                                                                          | ±0.10pF  |
| C                                                                                          | ±0.25pF  |
| D                                                                                          | ±0.5pF   |
| F                                                                                          | ±1.0%    |
| G                                                                                          | ±2.0%    |
| J                                                                                          | ±5.0%    |
| K                                                                                          | ±10%     |
| M                                                                                          | ±20%     |
| N                                                                                          | ±30%     |
| S                                                                                          | +50%—20% |
| Z                                                                                          | +80%—20% |
| P                                                                                          | +100%—0% |
| B.C.D適用C<10PF<br>B.C.D for C<10PF<br>NPO:B.C.D.F.G.J.K.M<br>X7R:K.M.N.S.Z<br>Y5V:M.N.S.Z.P |          |

C:

| 溫度特性<br>Temperature Characteristics |              |              |              |
|-------------------------------------|--------------|--------------|--------------|
| CG<br>(N)                           | COG<br>(NPO) | 0±30ppm/°C   | (-55~+125°C) |
| B                                   | X7R          | ±15%         | (-55~+125°C) |
| Y(F)                                | Y5V          | +30 %<br>-80 | (-25~+85°C)  |

D:

| 標稱容量<br>Nominal Capacitance                                                                                                                             |
|---------------------------------------------------------------------------------------------------------------------------------------------------------|
| 前兩位數字為有效數字，后一位數字表示零的個數。<br>First two digits are significant, and the third digit is number of zeros.<br>例如：<br>For example:<br>104=10000pF<br>5R6=5.6pF |

F:

| 額定電壓<br>Rated Voltage                                                                                                                                |
|------------------------------------------------------------------------------------------------------------------------------------------------------|
| 前兩位數字為有效數字，后一位數字表示零的個數。<br>First two digits are significant, and the third digit is number of zeros.<br>例如：<br>For example:<br>500=50V      101=100V |

G:

| 包裝方式<br>Packaging Style |             |              |
|-------------------------|-------------|--------------|
| 編帶<br>Tape              | P           | 盒帶包裝<br>Ammo |
|                         | T           | 卷帶包裝<br>Reel |
| 散包裝<br>Bulk             | 空白<br>Blank |              |

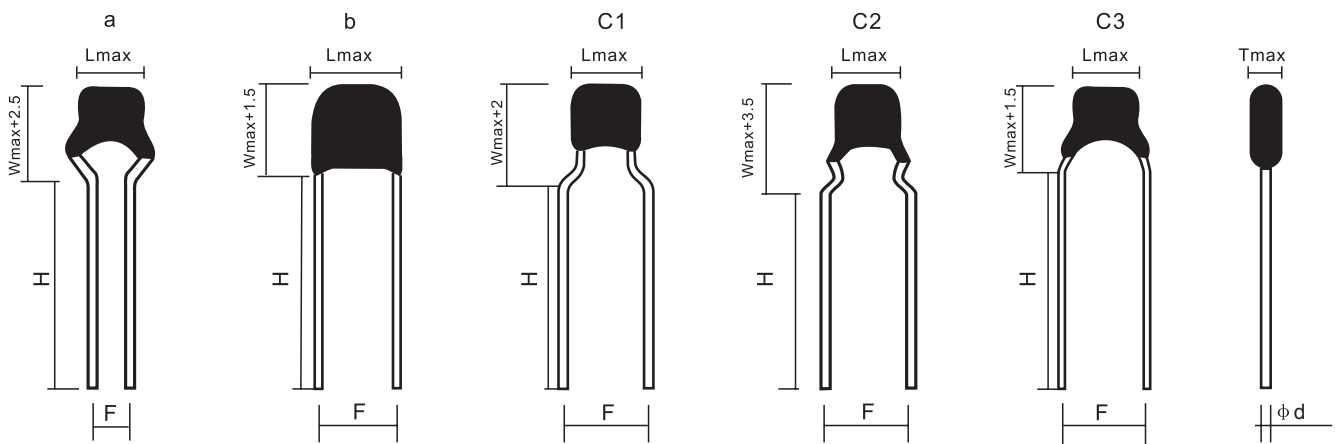
H:

| 腳距(單位: mm)<br>Lead Space(Unit:mm) |      |
|-----------------------------------|------|
| F1                                | 2.54 |
| F2                                | 4.57 |
| F3                                | 5.08 |
| F4                                | 3.50 |

• 尺寸、工作電壓、容量工作關係表  
 SIZE CODE, CAPACITANCE AND VOLTAGE

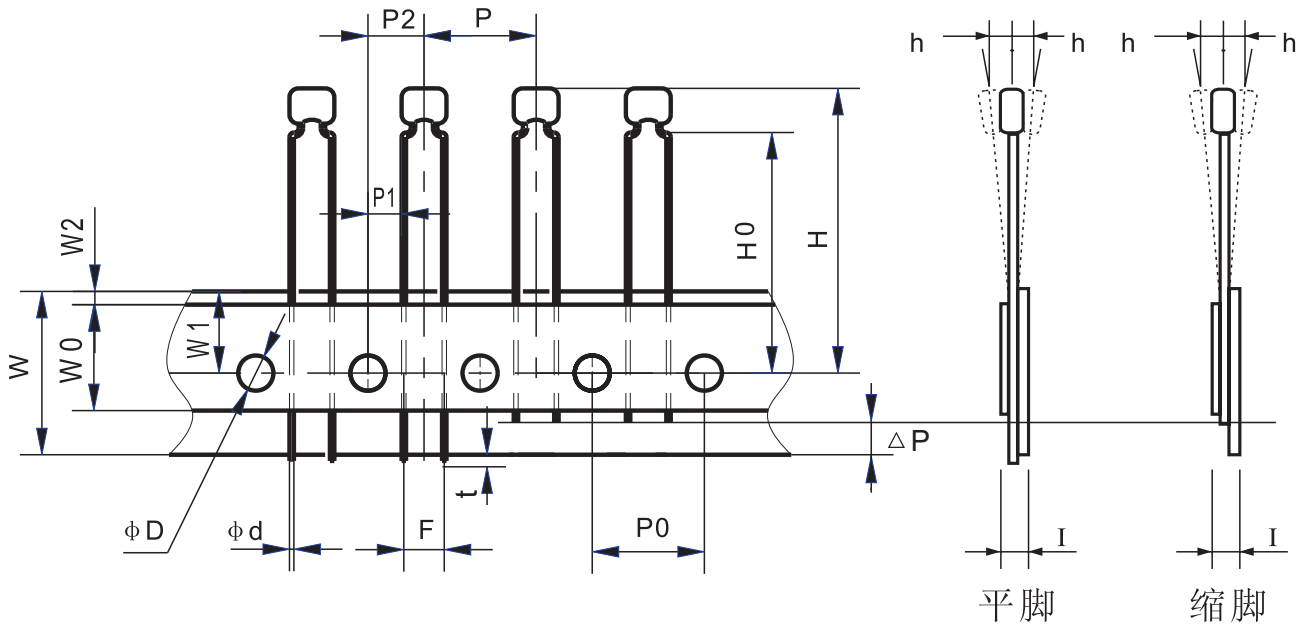
| 尺寸規格<br>Size Code | 外形<br>Shape | 尺寸 (單位:mm)<br>Dimensions(Unit: mm) |         |          |          |          |              | 工作電壓<br>Voltage | 標稱容量範圍<br>Available Capacitance Range |         |         |
|-------------------|-------------|------------------------------------|---------|----------|----------|----------|--------------|-----------------|---------------------------------------|---------|---------|
|                   |             | F<br>±0.5                          | H<br>±1 | L<br>max | W<br>max | T<br>max | Φd<br>±0.1   |                 | C0G<br>(NP0)                          | X7R     | Y5V     |
| 0805              | a           | 2.54/3.5                           | 5       |          |          |          |              | 25              | 0R5~272                               | 101~105 | 102~125 |
|                   | b           | 2.54                               | 10      |          |          |          |              | 0.45<br>0.50    | 50                                    | 0R5~222 | 101~105 |
|                   | C1          | 5.08                               | 5/10    | 4.2      | 3.8      | 3.8      | 102~105      |                 |                                       |         |         |
|                   | C2          | 5.08                               | 5       |          |          |          | ---          |                 |                                       |         |         |
| C3                | 5.08        | 5/10                               |         |          |          |          |              |                 |                                       |         |         |
| 1206              | a           | 2.54                               |         |          |          |          |              | 25              | 0R5~562                               | 101~225 | 102~125 |
|                   | b           | 3.50                               | 10      | 5.5      | 4.5      | 3.8      | 0.45<br>0.50 | 50              | 0R5~472                               | 101~105 | 102~105 |
|                   | C1          | 5.08                               |         |          |          |          |              | 100             | 0R5~332                               | 101~154 | ---     |
| 1210/<br>1209     | b<br>C1     | 3.50<br>5.08                       | 10      | 5.5      | 5.5      | 3.8      | 0.45<br>0.50 | 25              | 100~103                               | 471~105 | 472~155 |
|                   |             |                                    |         |          |          |          |              | 50              | 100~103                               | 471~105 | 472~205 |
|                   |             |                                    |         |          |          |          |              | 100             | 5R0~103                               | 101~105 | ---     |
| 1812              | b           | 4.57                               | 10      | 8.5      | 6.5      | 3.8      | 0.45<br>0.50 | 25              | 100~153                               | 471~335 | 103~335 |
|                   |             |                                    |         |          |          |          |              | 50              | 100~103                               | 471~225 | 103~225 |
|                   |             |                                    |         |          |          |          |              | 100             | 5R0~103                               | 101~105 | ---     |
| 2225              | b           | 5.50                               | 10      | 10.5     | 9.5      | 4.2      | 0.45<br>0.50 | 25              | 100~473                               | 102~475 | 103~475 |
|                   |             |                                    |         |          |          |          |              | 50              | 100~273                               | 102~335 | 103~335 |
|                   |             |                                    |         |          |          |          |              | 100             | 5R0~273                               | 101~105 | ---     |

\* 其它規格可直接和我們聯系。  
 Others are available, contact FH.



# 徑向引線多層陶瓷電容器 RADIAL LEADED MLCC

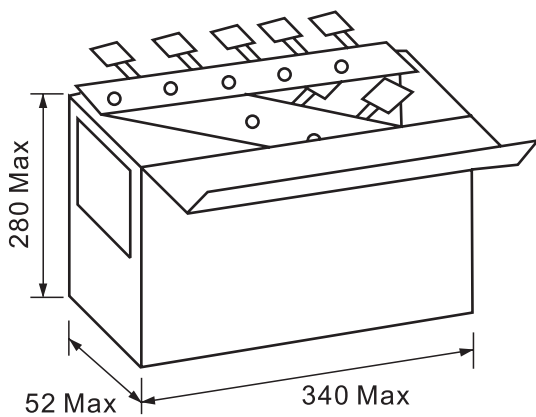
## • 包裝形式 PACKAGING STYLE



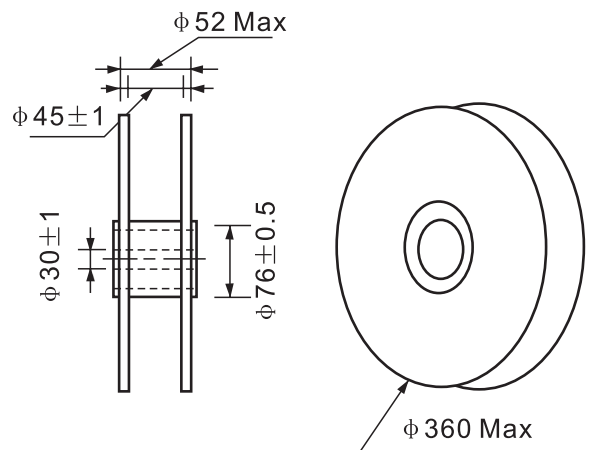
- Note:  $P_1=3.85\text{mm}$  for  $F=5.08\text{mm}$ ;  $P_1=5.1\text{mm}$  for  $F=2.54\text{mm}$
- Note: 缩脚编带形式仅适用于  $F=5.08\text{mm}$  规格

| 代號<br>Code | P         | P <sub>0</sub> | P <sub>1</sub> | P <sub>2</sub> | d         | $\Delta h$ | W       | W <sub>0</sub> | W <sub>1</sub> | W <sub>2</sub> | H     | H <sub>0</sub> | I    | D         | t   | $\Delta P$            |
|------------|-----------|----------------|----------------|----------------|-----------|------------|---------|----------------|----------------|----------------|-------|----------------|------|-----------|-----|-----------------------|
| 尺寸<br>Dim  | 12.7      | 12.7           | 3.85<br>5.1    | 6.35           | 0.5       | 0          | 18.5    | 8<br>10        | 9              | 1.5            | 32.25 | 16<br>19.5     | 1.42 | 4.0       | 0.7 | $0 \leq \Delta P < 6$ |
| 誤差<br>Tol  | $\pm 1.0$ | $\pm 0.2$      | $\pm 0.7$      | $\pm 1.3$      | $\pm 0.1$ | $\pm 1$    | $\pm 1$ | $\pm 1$        | $\pm 0.5$      | $\pm 1.5$      | Max   | $\pm 1.0$      | Max  | $\pm 0.2$ | Max |                       |

### \* 盒帶包裝 AMMO PACKAGING



### 卷帶包裝 TAPE & REEL PACKAGING



## X-ON Electronics

Largest Supplier of Electrical and Electronic Components

*Click to view similar products for [Multilayer Ceramic Capacitors MLCC - Leaded](#) category:*

*Click to view products by [Fenghua Advanced](#) manufacturer:*

Other Similar products are found below :

[010-007220-002REV A](#) [M39014/01-1210V](#) [M39014/01-1281V](#) [M39014/01-1335V](#) [M39014/01-1571V](#) [M39014/01-1578V](#) [M39014/01-1593](#)  
[M39014/02-1347](#) [M39014/02-1350](#) [M39014/22-0167](#) [M39014/22-0734](#) [87043-49](#) [Q52-DK](#) [C410C221K1G5TATR](#) [C420C102J1G5TATR](#)  
[C430C104M1U5TATR](#) [SL155C222MAB](#) [CCR06CG183GRV](#) [CFB1/2C101J](#) [CFB1/2C102J](#) [CN20C102K](#) [M39014/01-1317](#) [M39014/01-](#)  
[1572V](#) [M39014/01-1594V](#) [M39014/02-1236](#) [M39014/02-1321V](#) [M39014/02-1345V](#) [M39014/22-0351](#) [M39014/22-0695](#) [M39014/220767](#)  
[M39014/220788](#) [M39014/22-1005](#) [MA405E334MAA](#) [MD015A103KAB](#) [SL301E105MAB](#) [KTD101B684M32A0B00](#) [CCR07CG473KR](#)  
[CCR05CG820JP](#) [TKC-TMC1206-05-1501-J??](#) [TKC-TMC1206-05-1801-J](#) [TKC-TMC1206-05-20R0-F](#) [TKC-TMC1206-05-3901-J](#) [TKC-](#)  
[TMC1206-05-44R2-F](#) [TKC-TMC1206-05-4703-J??](#) [TKC-TMC2512-05-1211-F](#) [100B5R1CT500X](#) [100B3R9CT500X](#) [M39014/22-0869](#)  
[M39014/220556](#) [M39014/22-1045](#)