

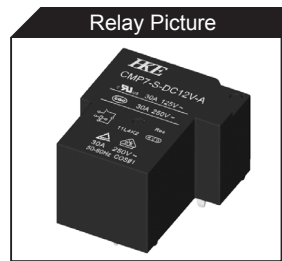


### Features

- High contact capacity in a compact package, up to 40A/250VAC
- Available in both open frame and plastic sealed package
- UL class F insulation system
- Applications: Industrial and home appliances, HVAC, etc

### Safety Approval

US NO.E164730   
 NO.CQC08002027615  
 NO.40009646   
 NO.50125641



## ORDERING INFORMATION

**CMP7** - **S** - **DC12V** - **A** **T** \*R

Model	Enclosure	Coil Voltage	Contact Form	Contact Rating
	S - Plastic Sealed Type Blank - Open Type	DC5V,DC6V,DC9V DC12V,DC24V,DC48V	A - 1 Form A C - 1 Form C	Blank - A:30A 250VAC/24VDC C:NO:20A 250VAC/24VDC NC:15A 250VAC/24VDC T - A:40A 250VAC/24VDC C:NO:40A 250VAC/24VDC NC:30A 250VAC/24VDC

Remark: \*R - Without common terminal

## SPECIFICATION

### CONTACT DATA

Contact Form	1 Form A, 1 Form C		
Contact Material	Ag Alloy		
Contact Rating	A : 30A 250VAC/24VDC AT : 40A 250VAC/24VDC C : NO: 20A 250VAC/24VDC NC: 15A 250VAC/24VDC CT : NO: 40A 250VAC/24VDC NC: 30A 250VAC/24VDC		
Contact Resistance	Max.100mΩ(6VDC 1A)		
Load	Max. Switching Voltage	250VAC/28VDC	
	Max. Switching Current	40A(T)	30A
	Max. Switching Power	7,500VA,560W	
	Min. Switching Load	5VDC,100mA	
Life	Electrical	100,000次	
	Mechanical	10,000,000次	

### GENERAL DATA

Insulation Resistance		Min.1000MΩ 500VDC
Dielectric Strength	Between open contacts	1,500VAC,1min
	Between coil and contacts	2,500VAC,1min
Operate Time	Max.15ms	
Release Time	Max.10ms	
Operating Temperature	-40℃ to +85℃	
Humidity	35~95%RH, +40℃	
Shock Resistance	Endurance	1,000m/s <sup>2</sup>
	Misoperation	100m/s <sup>2</sup>
Vibration Resistance	Endurance	10~55Hz, 1.5mm double amplitude
	Misoperation	10~55Hz, 1.5mm double amplitude
Weight	Approximately 27.0g	

Note:Data shown are of initial value

### COIL DATA

Nominal Coil Power	900mW
--------------------	-------

### SAFETY APPROVAL

File Number	Contact Form	Power Consumption	Coil Voltage	Contact Rating	Remarks
UL E164730	C	0.9W	5-48VDC	NO/NC: 20A/15A 125VAC	Class F insulation Ambient Temperature: 85℃
	A	0.9W	5-48VDC	30A 125VAC	
	CT	0.9W	5-48VDC	NO/NC: 40A/30A 250VAC	Class F insulation Ambient Temperature:40℃
	AT	0.9W	5-48VDC	40A 250VAC	
	C	0.9W	5-48VDC	B300	
CQC08002027615 (GB/T 21711.1-2008)	A	0.9W	5-48VDC	C300   R300	Class F insulation Ambient Temperature: 85℃
	C	0.9W	5-48VDC	NO/NC:20A/15A 250VAC	

ISO9001、ISO/TS16949、ISO14001 Approved

# CMP7

POWER RELAY

## SAFETY APPROVAL

File Number	Contact Form	Power Consumption	Coil Voltage	Contact Rating	Remarks
VDE 40009646	A	0.9W	5 - 48VDC	30 250VAC	Ambient Temperature: 70°C
	C	0.9W	5 - 48VDC	NO: 20A 250VAC NC: 15A 250VAC/24VDC	
TUV 50125641-0001	A	0.9W	5 - 48VDC	30A 250VAC	Ambient Temperature: 85°C
	C	0.9W	5 - 48VDC	NO/NC: 20A/15A 250VAC	
TUV 50125641-0002 (EN 60730-1)	A	0.9W	5 - 48VDC	30(8)A 250VAC	Ambient Temperature: 85°C
	C	0.9W	5 - 48VDC	NO/NC: 20(4)A/15(3)A 250VAC	

Specifications subject to change without notice

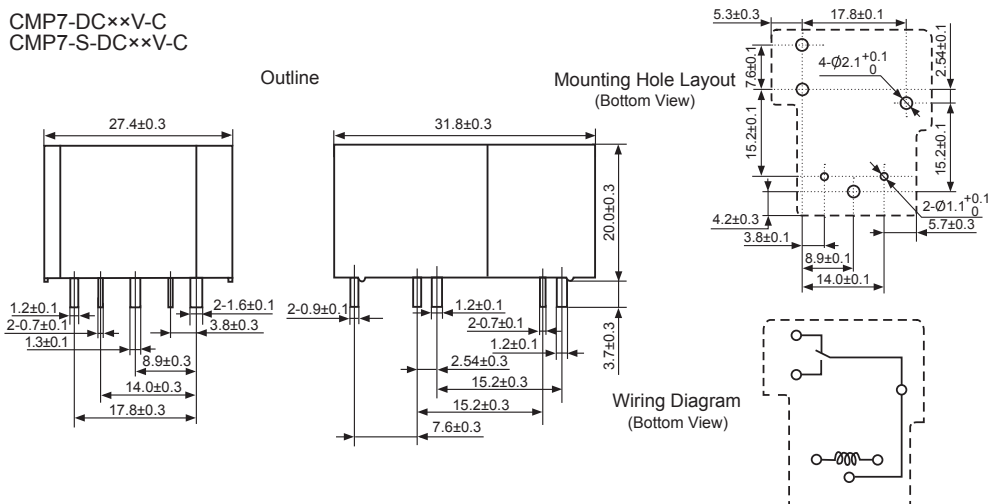
## COIL DATA

Ambient Temperature: 23°C

Model	Nominal Voltage VDC	Coil Resistance $\Omega \pm 10\%$	Operate Voltage $\leq$ VDC	Release Voltage $\geq$ VDC	Coil Power mW
CMP7-S-DC5V	5	27.8	3.5	0.5	900
CMP7-S-DC6V	6	40.0	4.2	0.6	
CMP7-S-DC9V	9	90.0	6.3	0.9	
CMP7-S-DC12V	12	160	8.4	1.2	
CMP7-S-DC24V	24	640	16.8	2.4	
CMP7-S-DC48V	48	2560	33.6	4.8	

## OUTLINE, WIRING DIAGRAM, MOUNTING HOLE LAYOUT (UNIT: mm)

CMP7-DC××V-C  
CMP7-S-DC××V-C

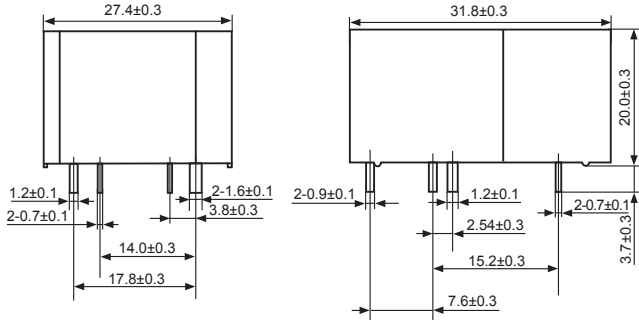


ISO9001、ISO/TS16949、ISO14001 Approved

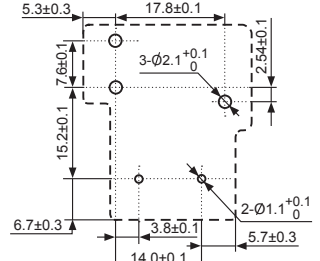
**OUTLINE, WIRING DIAGRAM, MOUNTING HOLE LAYOUT (UNIT: mm)**

CMP7-DC××V-C-R  
 CMP7-S-DC××V-C-R

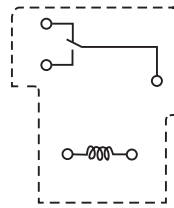
Outline



Mounting Hole Layout  
 (Bottom View)

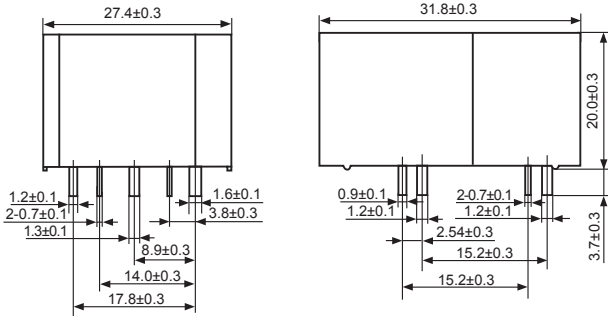


Wiring Diagram  
 (Bottom View)

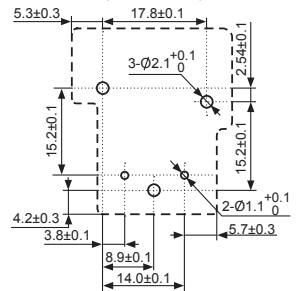


CMP7-DC××V-A  
 CMP7-S-DC××V-A

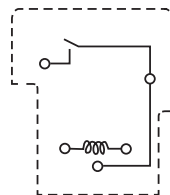
Outline



Mounting Hole Layout  
 (Bottom View)



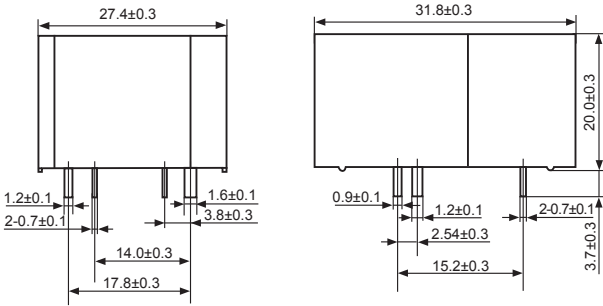
Wiring Diagram  
 (Bottom View)



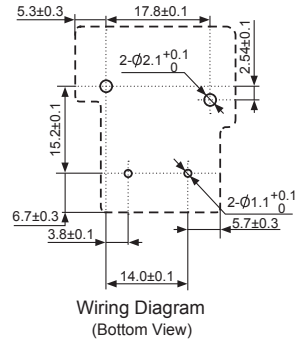
OUTLINE, WIRING DIAGRAM, MOUNTING HOLE LAYOUT (UNIT: mm)

CMP7-DC××V-A-R  
CMP7-S-DC××V-A-R

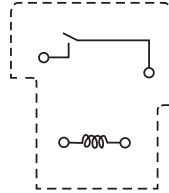
Outline



Mounting Hole Layout (Bottom View)

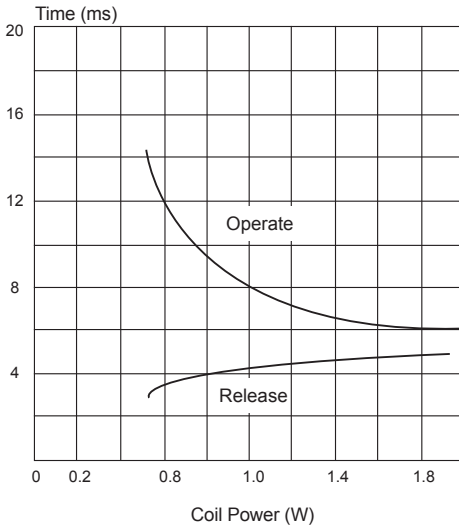


Wiring Diagram (Bottom View)

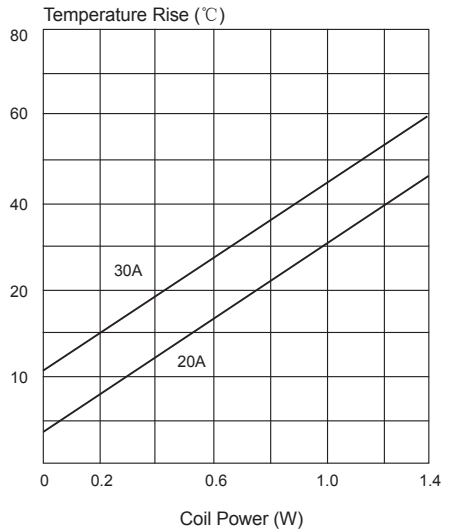


REFERENCE DATA

Time Curve

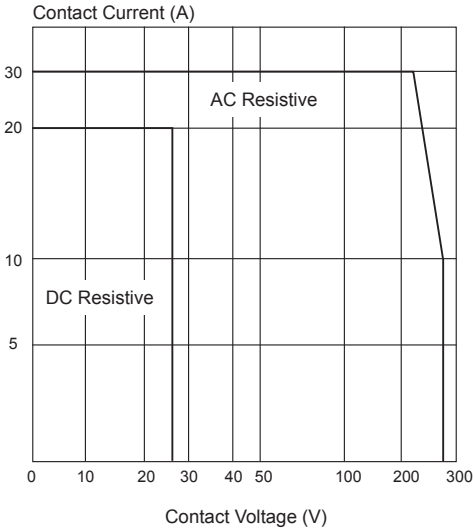


Coil Temperature Rise

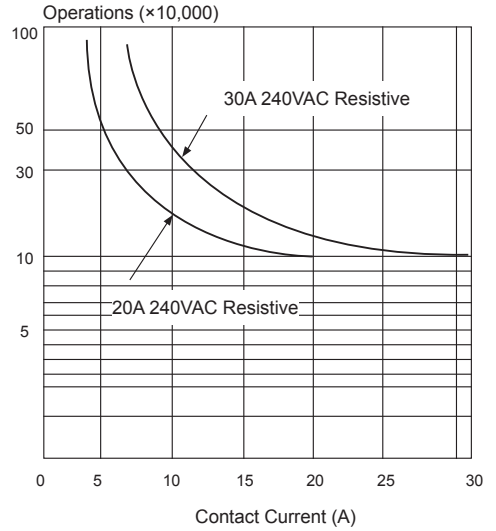


**REFERENCE DATA**

Maximum Switching Power



Life Curves



## X-ON Electronics

Largest Supplier of Electrical and Electronic Components

*Click to view similar products for [General Purpose Relays](#) category:*

*Click to view products by [Zhejiang](#) manufacturer:*

Other Similar products are found below :

[APF30318](#) [JVN1AF-4.5V-F](#) [PCN-105D3MHZ](#) [5JO-10000S-SIL](#) [5JO-1000CD-SIL](#) [5JO-400CD-SIL](#) [LY2S-AC220/240](#) [LYQ20DC12](#)  
[6031007G](#) [6131406HQ](#) [6-1393099-3](#) [6-1393099-8](#) [6-1393122-4](#) [6-1393123-2](#) [6-1393767-1](#) [6-1393843-7](#) [6-1415012-1](#) [6-1419102-2](#) [6-](#)  
[1423698-4](#) [6-1608051-6](#) [6-1608067-0](#) [6-1616170-6](#) [6-1616248-2](#) [6-1616282-3](#) [6-1616348-2](#) [6-1616350-1](#) [6-1616350-8](#) [6-1616358-7](#) [6-](#)  
[1616359-9](#) [6-1616360-9](#) [6-1616931-6](#) [6-1617039-1](#) [6-1617052-1](#) [6-1617090-2](#) [6-1617090-5](#) [6-1617347-5](#) [6-1617353-3](#) [6-1617801-8](#) [6-](#)  
[1617802-2](#) [6-1618107-9](#) [6-1618248-4](#) [M83536/1-027M](#) [CX-4014](#) [MAHC-5494](#) [MAVCD-5419-6](#) [703XCX-120A](#) [7-1393100-5](#) [7-1393111-7](#)  
[7-1393144-5](#) [7-1393767-8](#)