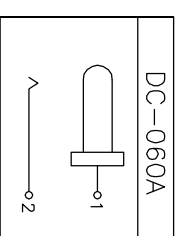


Rating: 0.5A 30V DC
 Contact Resistance: 100 mΩ Max.
 Operating temperature: -20°C ~ 70°C
 Operating force: 3-20N
 Operating Life: 5,000 cycles



P.C.B LAYOUT (front view)

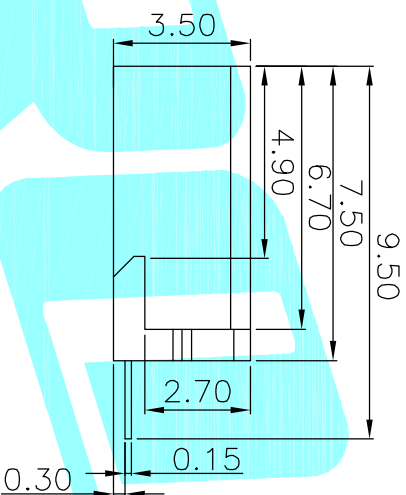
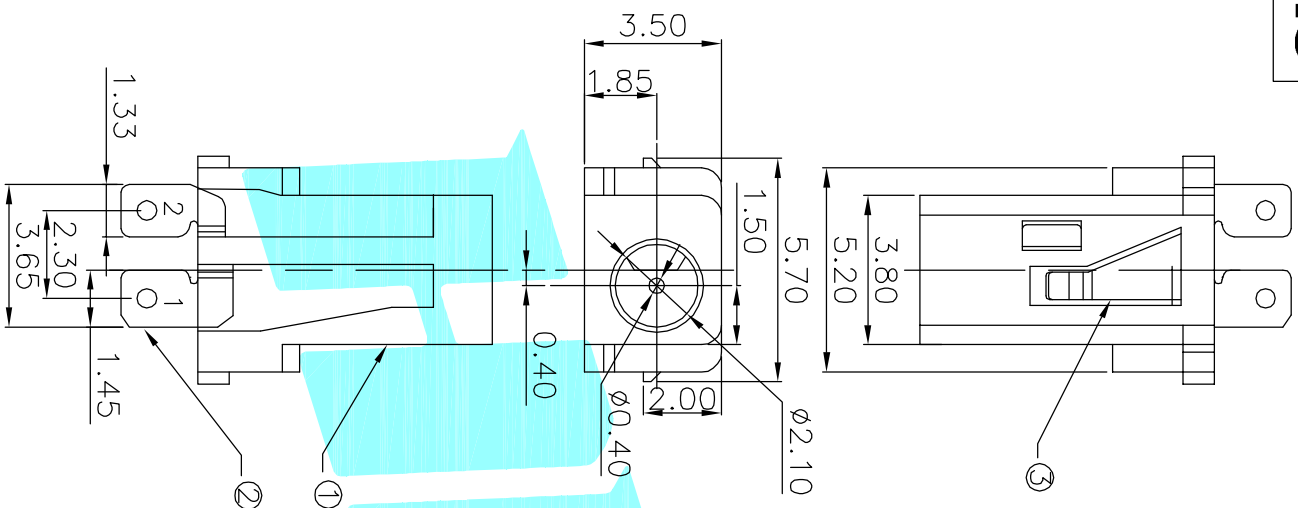
| ITEM | PART NAME | TERN NO. | QTY. | MATERIAL | FINISHING | REMARK |
|------|-----------|----------|------|-----------------|------------|--------|
| ③ | Spring | — | 1 | SUS | Si Plating | |
| ② | Terminal | — | 2 | Phosphor bronze | Au Plating | |
| ① | Housing | — | 1 | Nylon | Black | |

| APPROVALS | | DATE | TITLE: | |
|-----------|---------|------------|--------------|--|
| DRAWN | JKUN.LU | 2013/11/11 | PHONE JACKES | |
| CHECKED | | | DC-060A | |

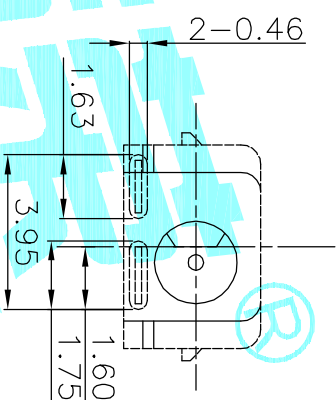
| ECN NO. | REV. | DATE. | DESCRIPTION. | CHANGE. | CHECK. | APPRO. | TOLERANCES ARE | ANGLE | UNIT: | SCALE: | PROJ: | SHEET |
|---------|------|-------|--------------|---------|--------|--------|----------------|-------|-------|--------|-------|--------|
| | A | | NEW | | | | 30~0.125 ± | ±0.30 | mm | 1:1 | PROJ: | 1 OF 1 |
| | | | | | | | 10~0.30 ± | ±0.20 | | | | |
| | | | | | | | 5~10 ± | ±0.15 | | | | |
| | | | | | | | ~5 ± | ±0.10 | | | | |



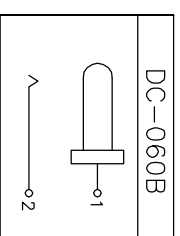
ELECTRONICS CO.,LTD



P.C.B LAYOUT (front view)



Rating:0.5A 30V DC
 Contact Resistance:100 mΩ Max.
 Operating temperature:-20℃~70℃
 Operating force:3-20N
 Operating Life:5,000cycles



| ITEM | PART NAME | TERN.O. | QTY. | MATERIAL | FINISHING | REMARK |
|------|-----------|---------|------|-----------------|------------|--------|
| ③ | Spring | — | 1 | SUS | SI Plating | |
| ② | Terminal | — | 2 | Phosphor bronze | Au Plating | |
| ① | Housing | — | 1 | Nylon | Black | |

| APPROVALS | | DATE | TITLE: | |
|-----------|---------|------------|---------------------|--|
| DRAWN | JKUN.LU | 2013/11/11 | PHONE JACKES | |
| CHECKED | | | DC-060B | |
| APPROVALS | | | ELECTRONICS CO.,LTD | |

| ECN NO. | REV. | DATE. | DESCRIPTION. | CHANGE. | CHECK. | APPRO. | TOLERANCES ARE | ANGLE | UNIT: | SCALE: | PROJ: | SHEET |
|---------|------|-------|--------------|---------|--------|--------|----------------|-------|-------|--------|---------|--------|
| | A | | NEW | | | | 30~0.12± | ±0.30 | mm | 1:1 | PROJ: ① | 1 OF 1 |
| | | | | | | | 10~0.30 | ±0.20 | | | | |
| | | | | | | | 5~1.0 | ±0.15 | | | | |
| | | | | | | | ~5 | ±0.10 | | | | |

X-ON Electronics

Largest Supplier of Electrical and Electronic Components

Click to view similar products for [DC Power Connectors](#) category:

Click to view products by [HRO parts](#) manufacturer:

Other Similar products are found below :

[1600206-1](#) [163-0301-EX](#) [163-0302](#) [163-0308-EX](#) [163-0310-EX](#) [163-1061-EX](#) [163-1100-EX](#) [163-4024](#) [163-4117-EX](#) [163-4118-EX](#) [163-5005-E](#) [163-7421](#) [163-MJ22-EX](#) [171-0721-EX](#) [171-0725-EX](#) [171-3118-EX](#) [171-3210-E](#) [171-3221-EX](#) [171-3222-EX](#) [171-A1326-EX](#) [173-23507-ST-EX](#) [173-5521TIP-EX](#) [173-6330TIP-EX](#) [KLDVX-SMT-02-ATR](#) [KLDX-0201-AHT-1](#) [KLDX-0202-AHT](#) [KLDX-SMT-0202-BP](#) [KLDX-SMT-0202-BPTR](#) [163-0179-EX](#) [163-0307-E](#) [163-0309-EX](#) [163-4007-EX](#) [163-4015-EX](#) [163-4025](#) [163-4119-E](#) [163-4303-E](#) [16PJ101-EX](#) [171-0702-EX](#) [171-0722-E](#) [171-0726-EX](#) [171-2122-EX](#) [171-3216-EX](#) [171-3218-EX](#) [171-3219-EX](#) [171-3220-EX](#) [171-7391](#) [173-3413-ST-EX](#) [173-4017-ST-EX](#) [RAPCBRK](#) [K596](#)